



US00D683012S

(12) **United States Design Patent**
Fahy et al.

(10) **Patent No.:** **US D683,012 S**

(45) **Date of Patent:** **** May 21, 2013**

(54) **NEBULIZER**

(75) Inventors: **Trevor Fahy**, Galway (IE); **Kieran Hyland**, Foxford (IE)

(73) Assignee: **Koninklijke Philips Electronics N.V.**, Eindhoven (NL)

(**) Term: **14 Years**

(21) Appl. No.: **29/393,257**

(22) Filed: **Jun. 1, 2011**

(30) **Foreign Application Priority Data**

Dec. 2, 2010 (EM) 001788779-0006

(51) **LOC (9) Cl.** **29-02**

(52) **U.S. Cl.**
USPC **D24/110**

(58) **Field of Classification Search** D24/108-110,
D24/110.4, 110.5; 128/97.1, 200.2, 200.11-200.23,
128/203.12-203.24; D27/162-169, 194;
131/328-330, 174-186, 192-194, 351
See application file for complete search history.

(56) **References Cited**

U.S. PATENT DOCUMENTS

5,411,208	A *	5/1995	Burgener	239/8
5,551,416	A *	9/1996	Stimpson et al.	128/200.16
6,044,841	A *	4/2000	Verdun et al.	128/200.18
6,076,520	A *	6/2000	Cooper	128/200.21
7,013,894	B2 *	3/2006	McFarland, Jr.	128/205.24
8,015,969	B2 *	9/2011	Abrams	128/200.21
8,109,266	B2 *	2/2012	Addington et al.	128/203.12

8,156,933	B2 *	4/2012	Raghuprasad	128/200.16
8,201,554	B2 *	6/2012	Reinhold et al.	128/200.16
2002/0121275	A1 *	9/2002	Johnson et al.	128/200.22
2007/0163572	A1 *	7/2007	Addington et al.	128/200.14
2011/0232636	A1 *	9/2011	Von Hollen et al.	128/202.13
2011/0240015	A1 *	10/2011	Nikander et al.	128/200.14

OTHER PUBLICATIONS

Aerogen Inside: Aerogen Technology At Work [on-line] Aerogen.com, no post date, [retrieved on Aug. 30, 2012]. Retrieved from the Internet. <URL: <http://www.aerogen.com/technology/aerogen-inside.html>>.*

* cited by examiner

Primary Examiner — Ian Simmons

Assistant Examiner — Eleni H Aldridge

(74) *Attorney, Agent, or Firm* — Michael W. Haas

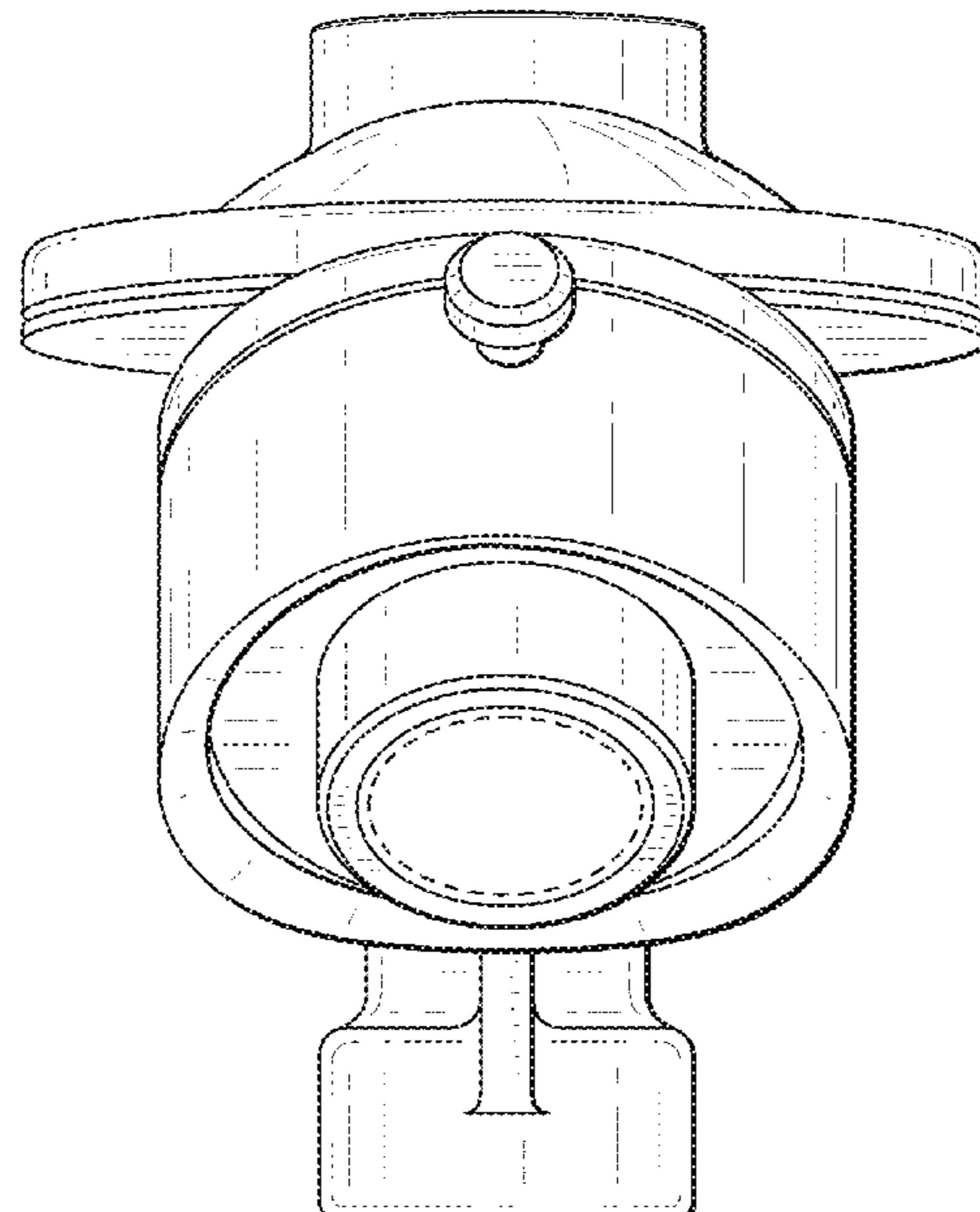
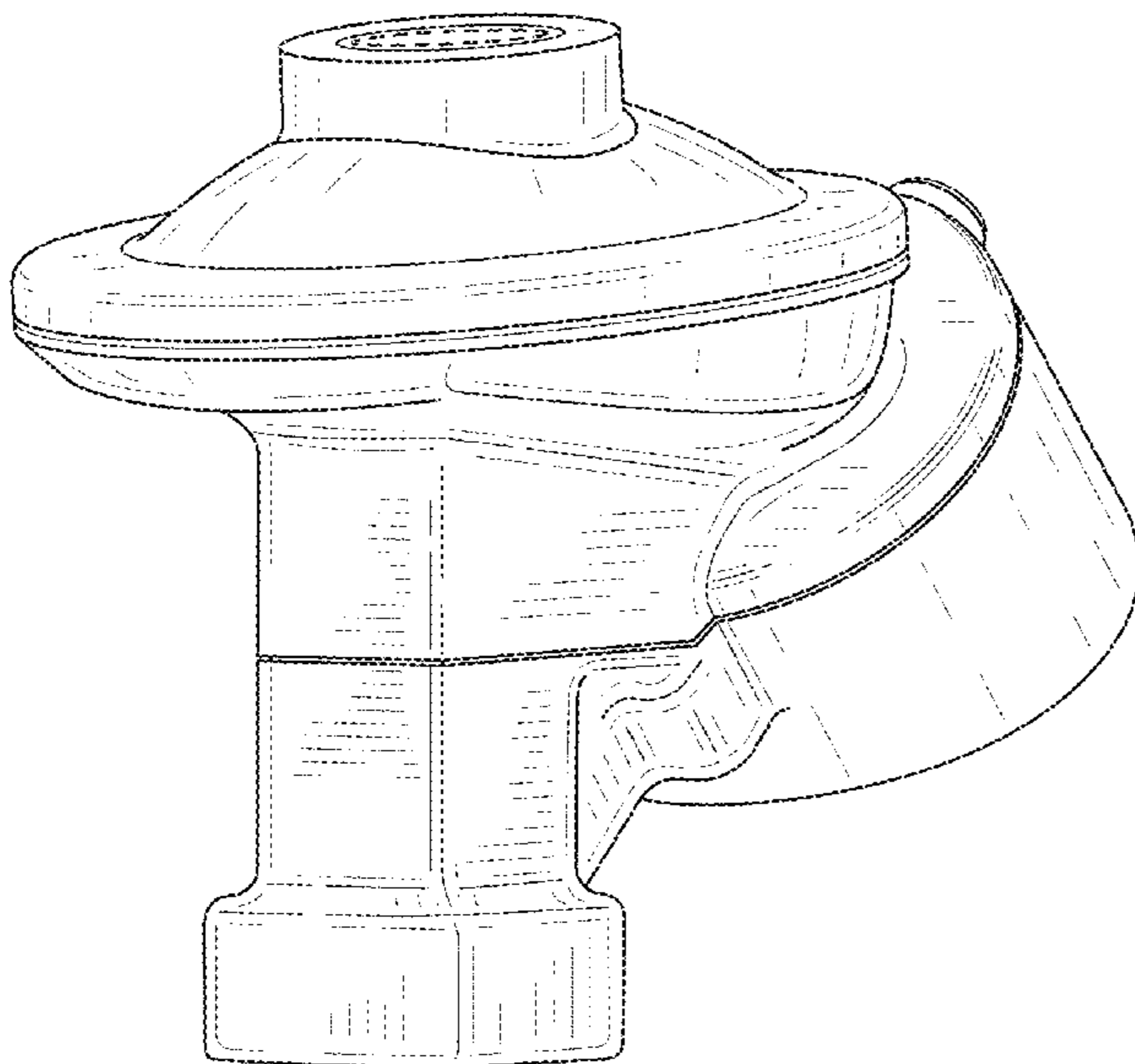
(57) **CLAIM**

The ornamental design for a nebulizer, as shown and described.

DESCRIPTION

FIG. 1 is a perspective view showing my design;
FIG. 2 is a front elevational view thereof;
FIG. 3 is a bottom plan view thereof;
FIG. 4 is a right side elevational view thereof;
FIG. 5 is a left side elevational view thereof;
FIG. 6 is a top plan view thereof; and,
FIG. 7 is a rear elevational view thereof.
The broken lines shown in FIGS. 1, 2 and 6 which are immediately adjacent to claimed surfaces, represent the bounds of the claimed design, which form no part thereof.

1 Claim, 7 Drawing Sheets



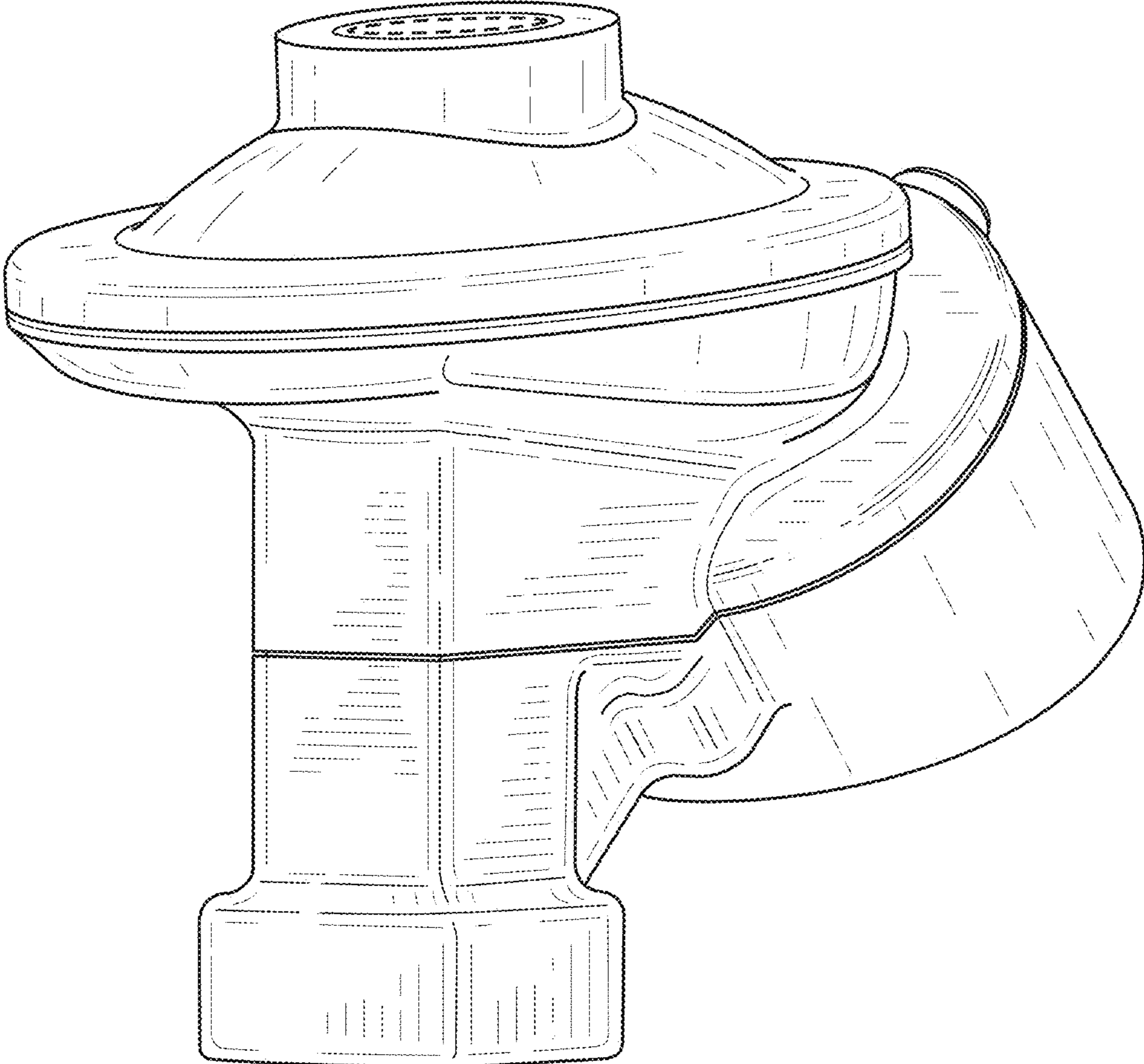


FIG. 1

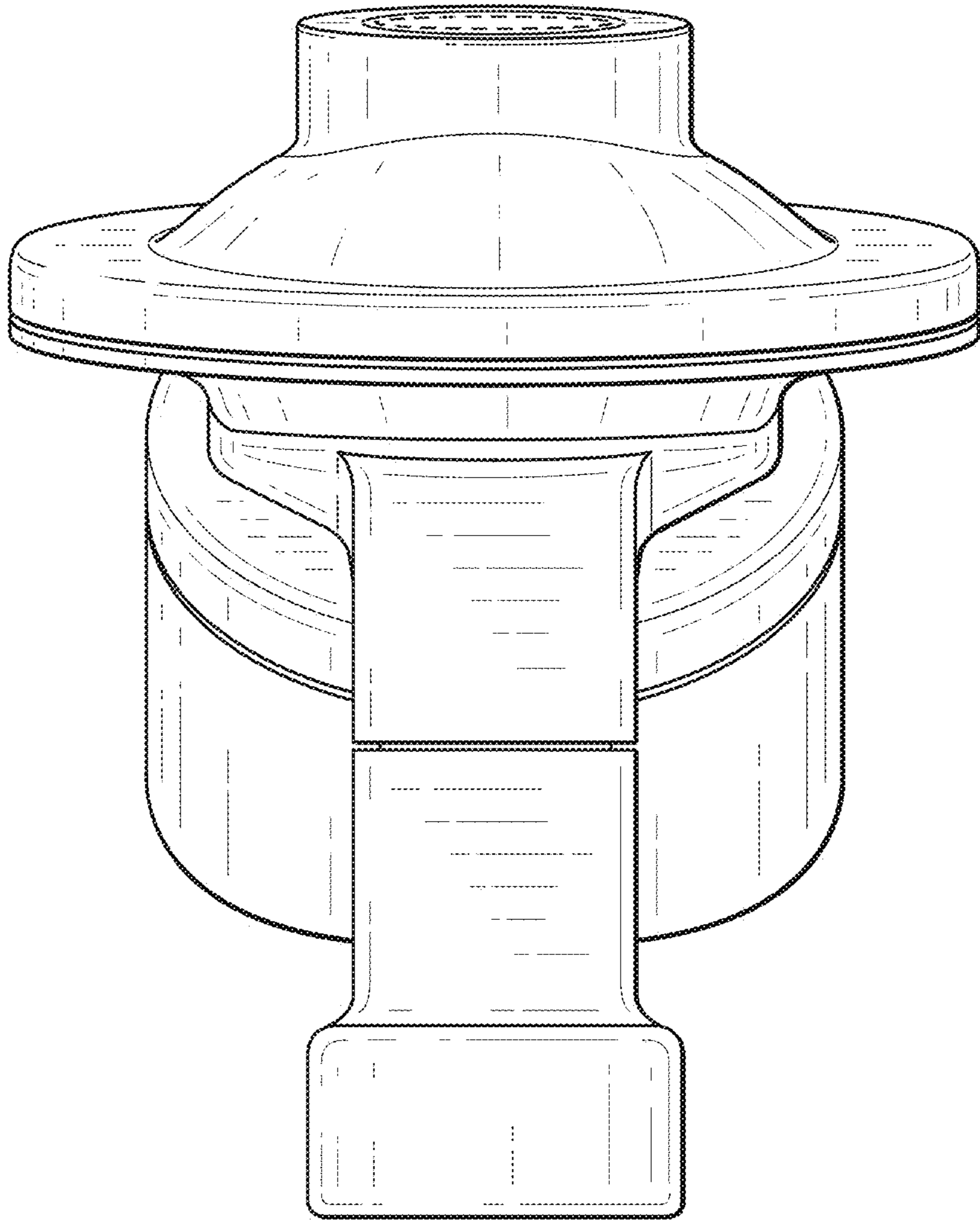


FIG. 2

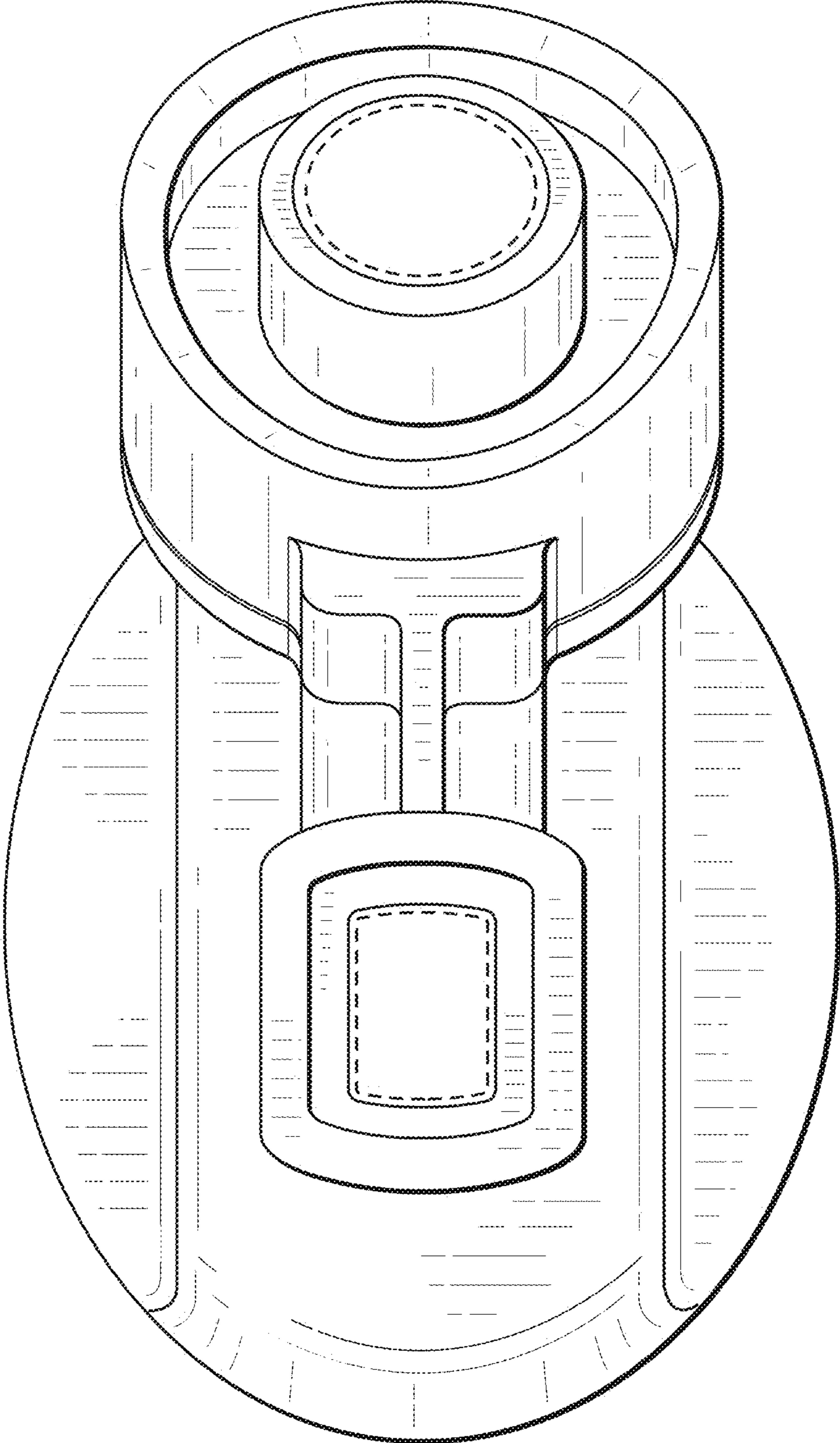


FIG. 3

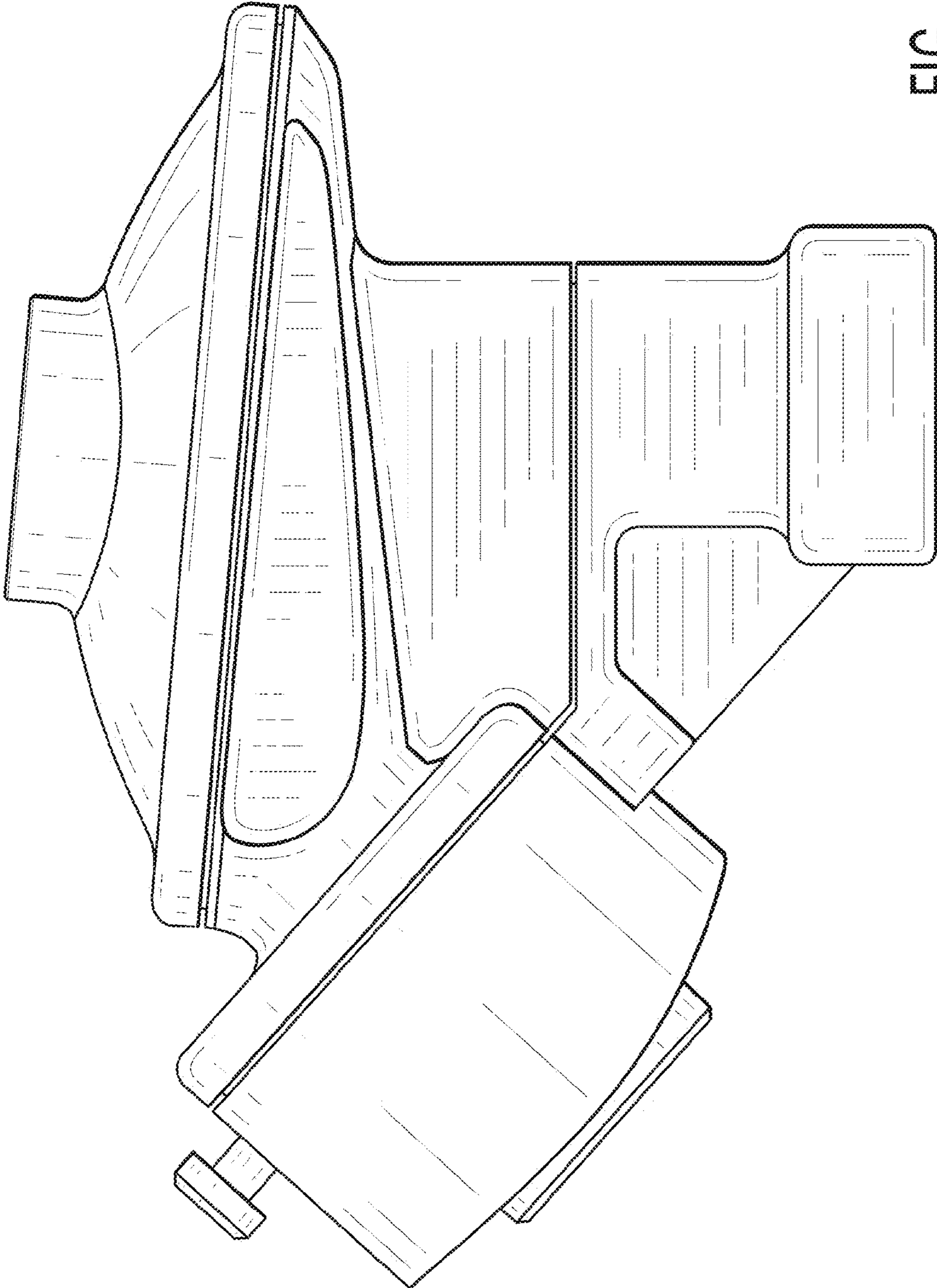


FIG. 4

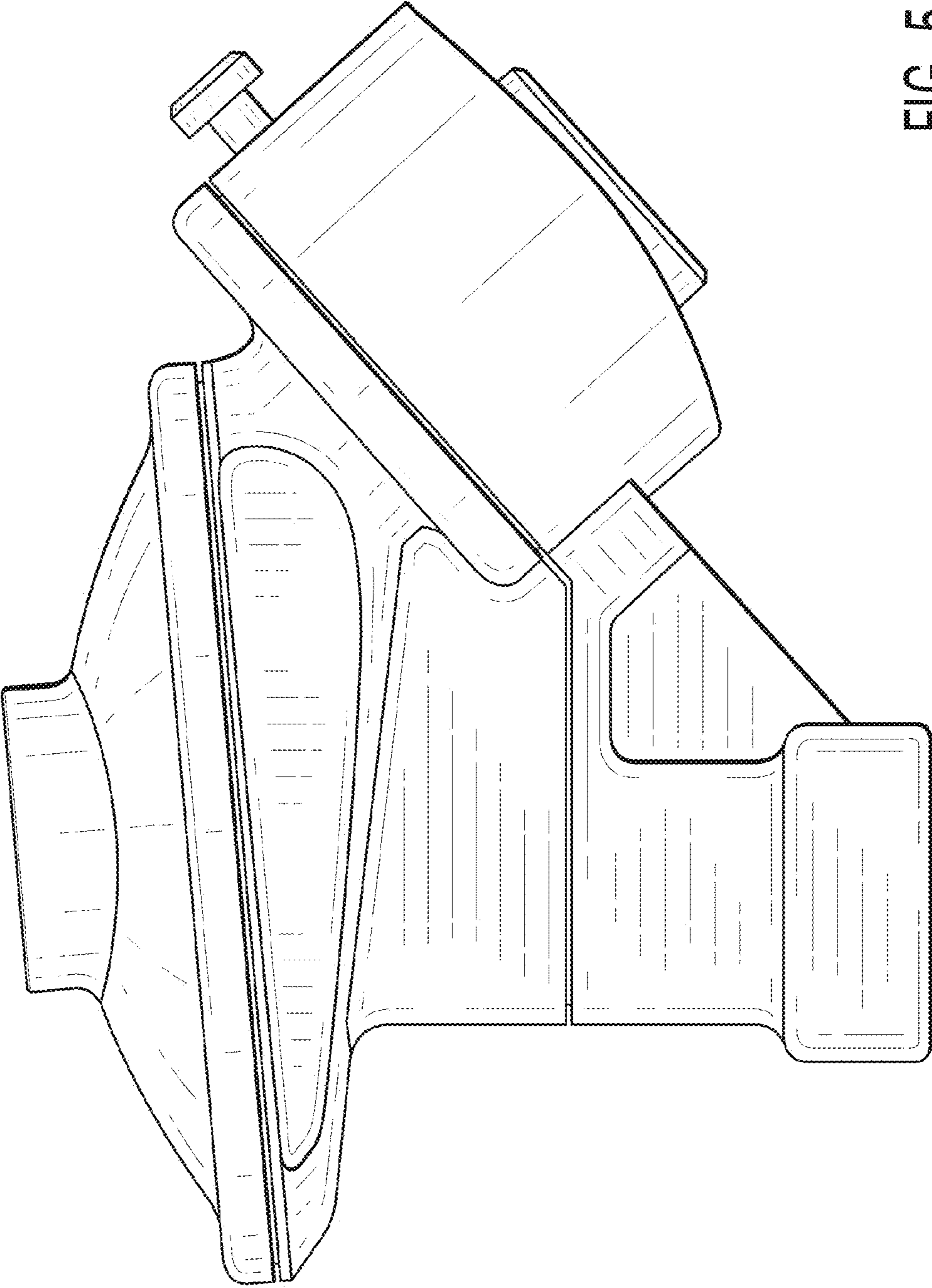


FIG. 5

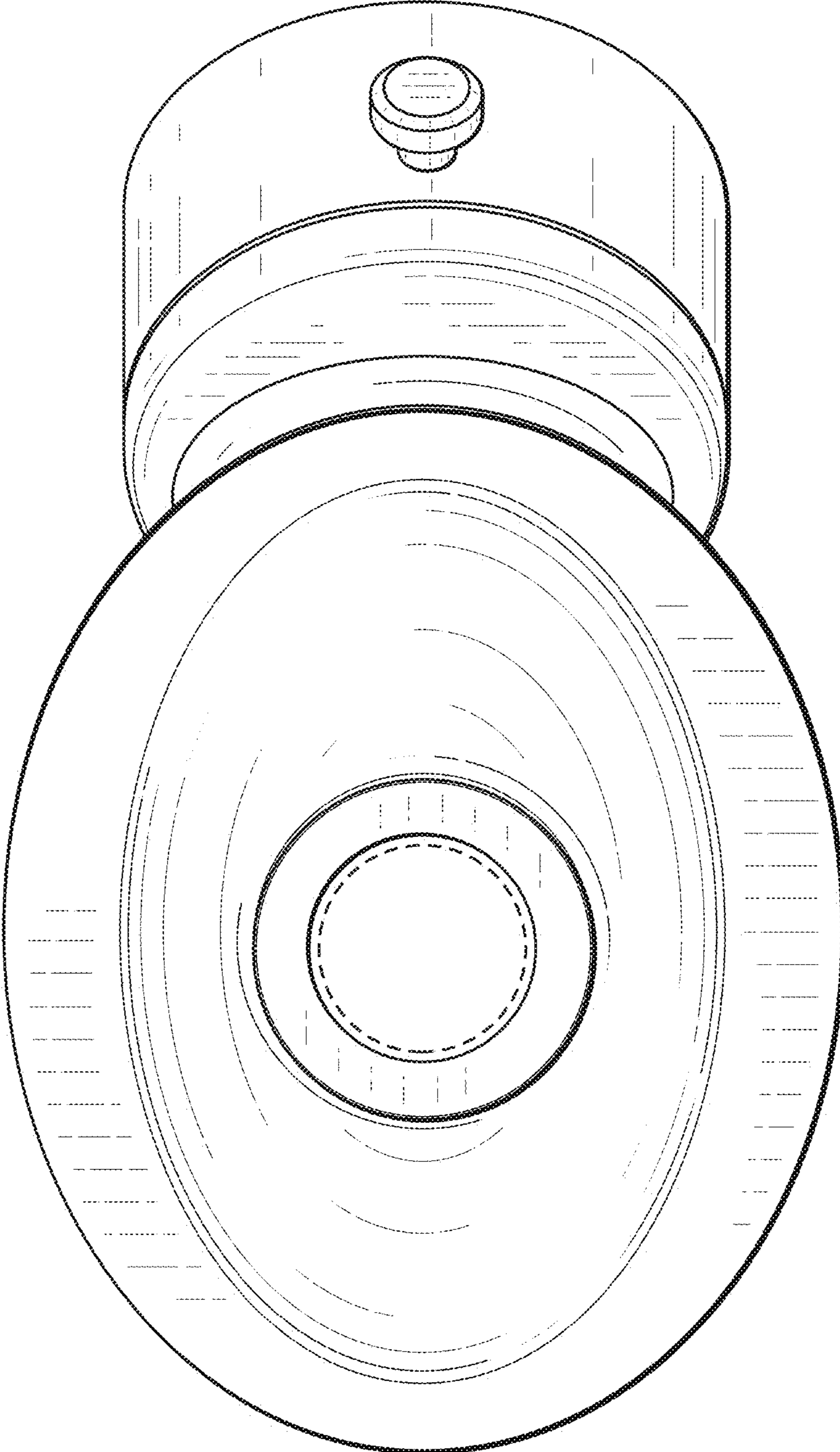


FIG. 6

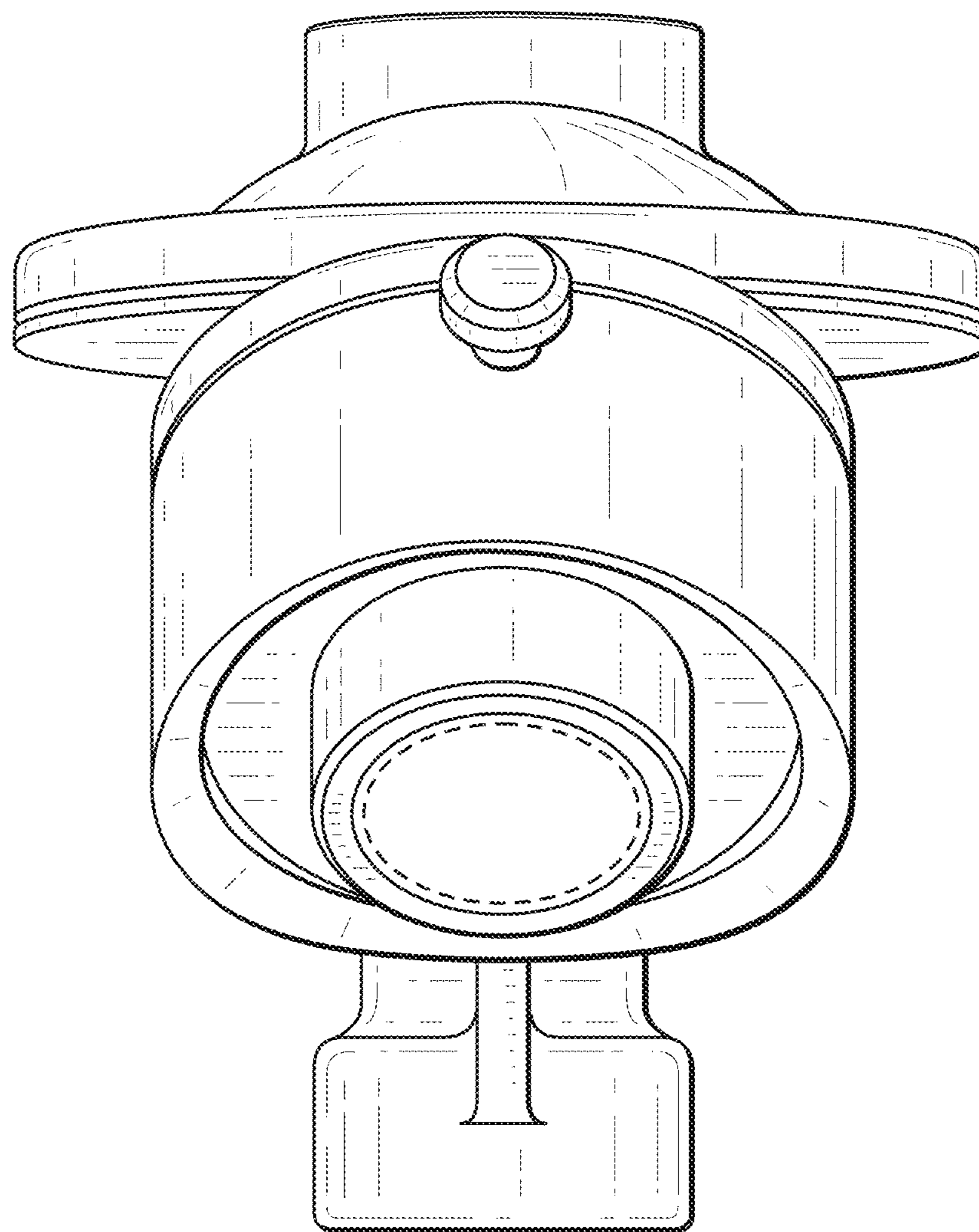


FIG. 7