

US00D683010S

(12) **United States Design Patent**  
**Chen**

(10) **Patent No.:** **US D683,010 S**

(45) **Date of Patent:** **\*\* May 21, 2013**

- (54) **FAN**
- (75) Inventor: **Yi-Te Chen**, Dongguan (CN)
- (73) Assignee: **Sunrise Technical Company Limited**,  
Houjie Town, Dongguan, Guangdong  
(CN)
- (\*\*) Term: **14 Years**
- (21) Appl. No.: **29/400,179**
- (22) Filed: **Aug. 24, 2011**
- (51) **LOC (9) Cl.** ..... **23-04**
- (52) **U.S. Cl.**  
USPC ..... **D23/370; D23/382**
- (58) **Field of Classification Search** ..... D23/328,  
D23/335, 336, 341, 355, 370, 381, 382, 385,  
D23/386, 411-414; 415/90, 121.2, 181,  
415/182.1, 208.2, 209.2, 211.2; 416/63,  
416/246, 247 R  
See application file for complete search history.

D415,270 S *	10/1999	Fok .....	D23/382
D418,591 S *	1/2000	Birdsell et al. ....	D23/335
D444,871 S *	7/2001	Wilson, Jr. ....	D23/382
D546,437 S *	7/2007	Chen .....	D23/382
D546,933 S *	7/2007	Chen .....	D23/382
D565,721 S *	4/2008	Chen .....	D23/382
D578,635 S *	10/2008	Chan .....	D23/382
D597,196 S *	7/2009	Ediger et al. ....	D23/411

\* cited by examiner

*Primary Examiner* — Janice Seeger  
*Assistant Examiner* — Martie K Holtje  
(74) *Attorney, Agent, or Firm* — Egbert Law Offices, PLLC

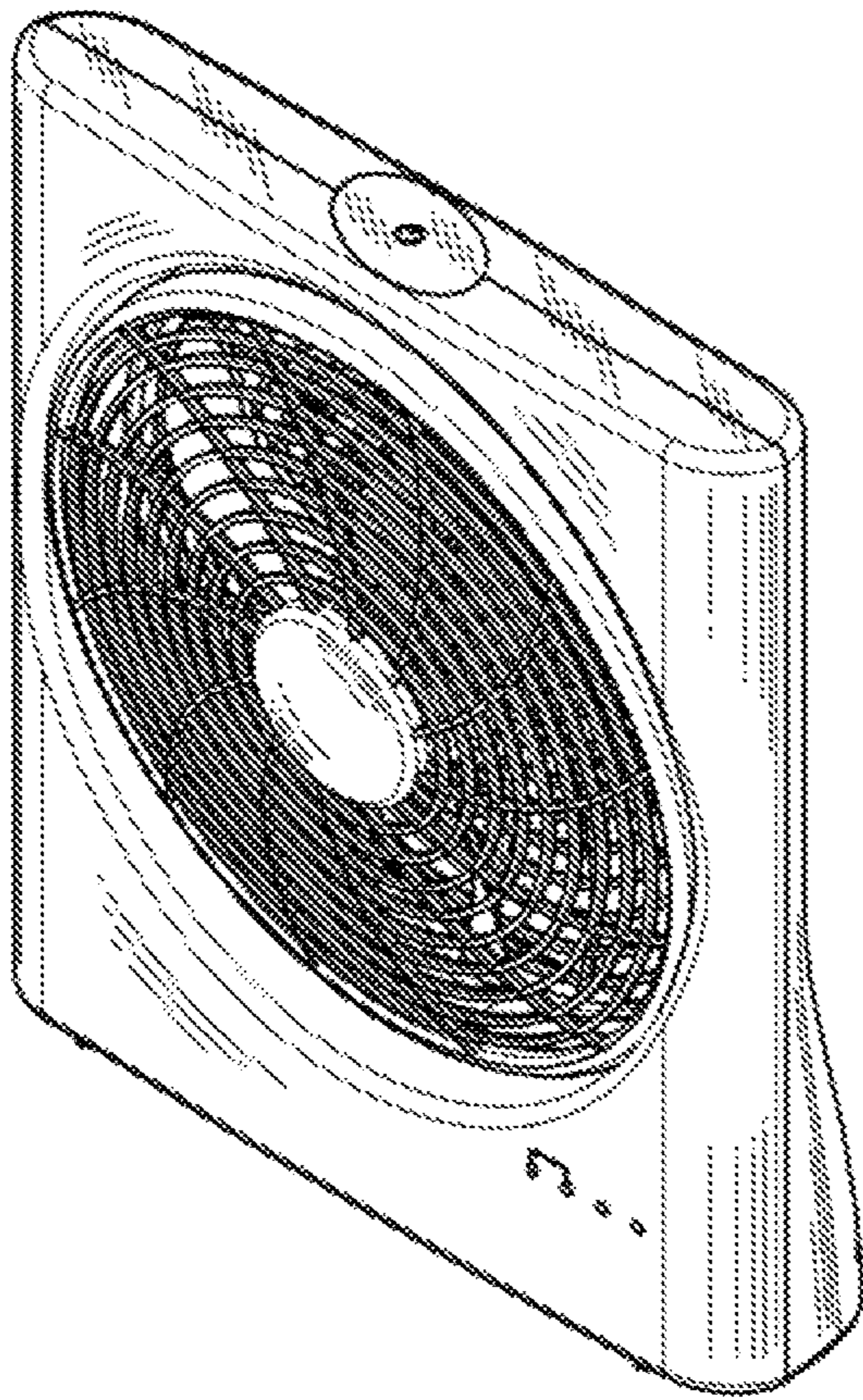
(57) **CLAIM**  
The ornamental design for a fan, as shown and described.

**DESCRIPTION**

FIG. 1 is a top, front perspective view of the fan showing my new design;  
FIG. 2 is a front elevational view thereof;  
FIG. 3 is a rear elevational view thereof;  
FIG. 4 is a left side elevational view thereof;  
FIG. 5 is a right side elevational view thereof;  
FIG. 6 is a top plan view thereof; and,  
FIG. 7 is a bottom plan view thereof.  
The broken lines in FIGS. 3-7 illustrate portions of the fan that form no part of the claimed design.

**1 Claim, 6 Drawing Sheets**

- (56) **References Cited**  
  
U.S. PATENT DOCUMENTS  
D281,276 S \* 11/1985 Farrer ..... D23/370  
D290,872 S \* 7/1987 Kouno et al. .... D23/382



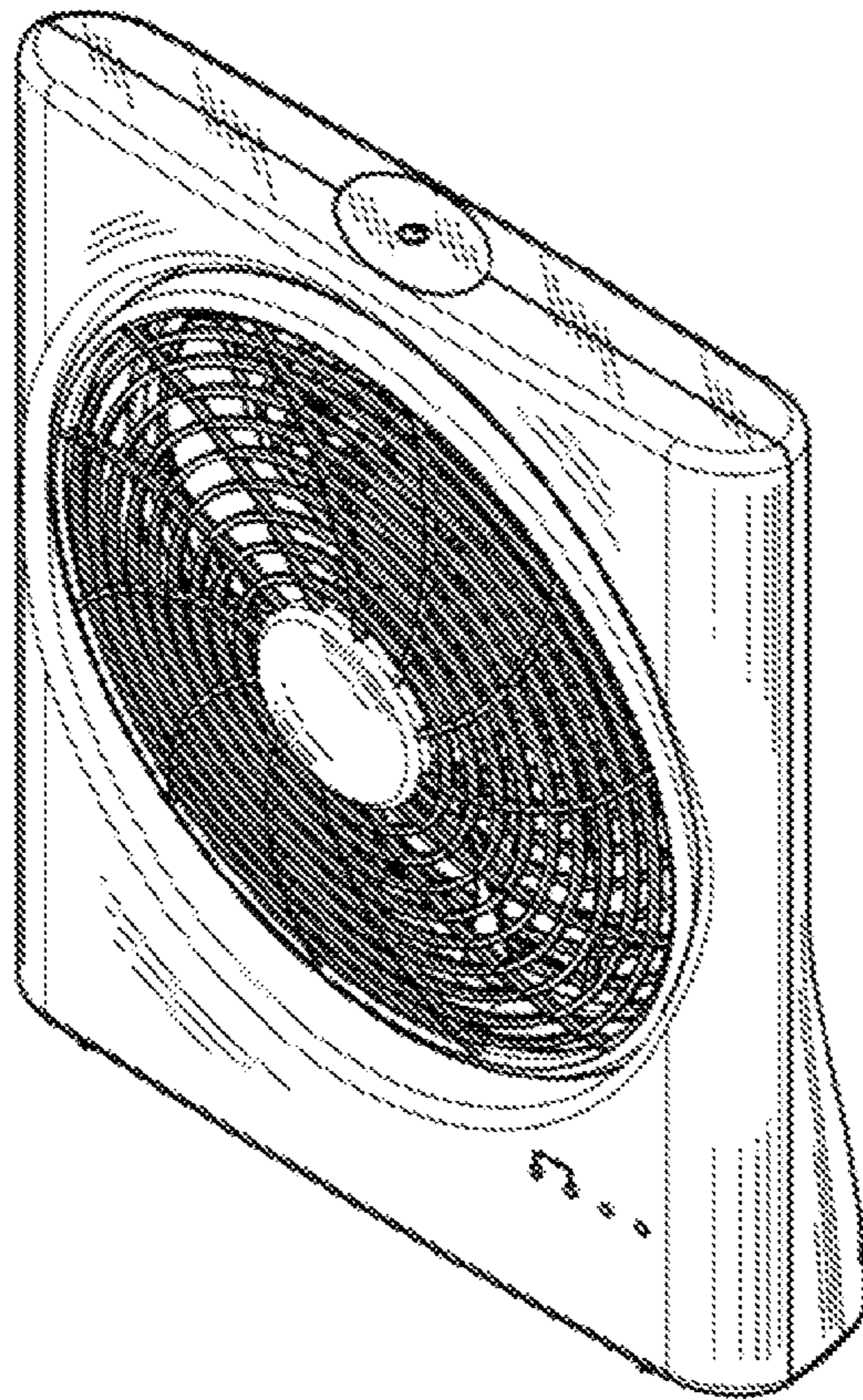


FIG. 1

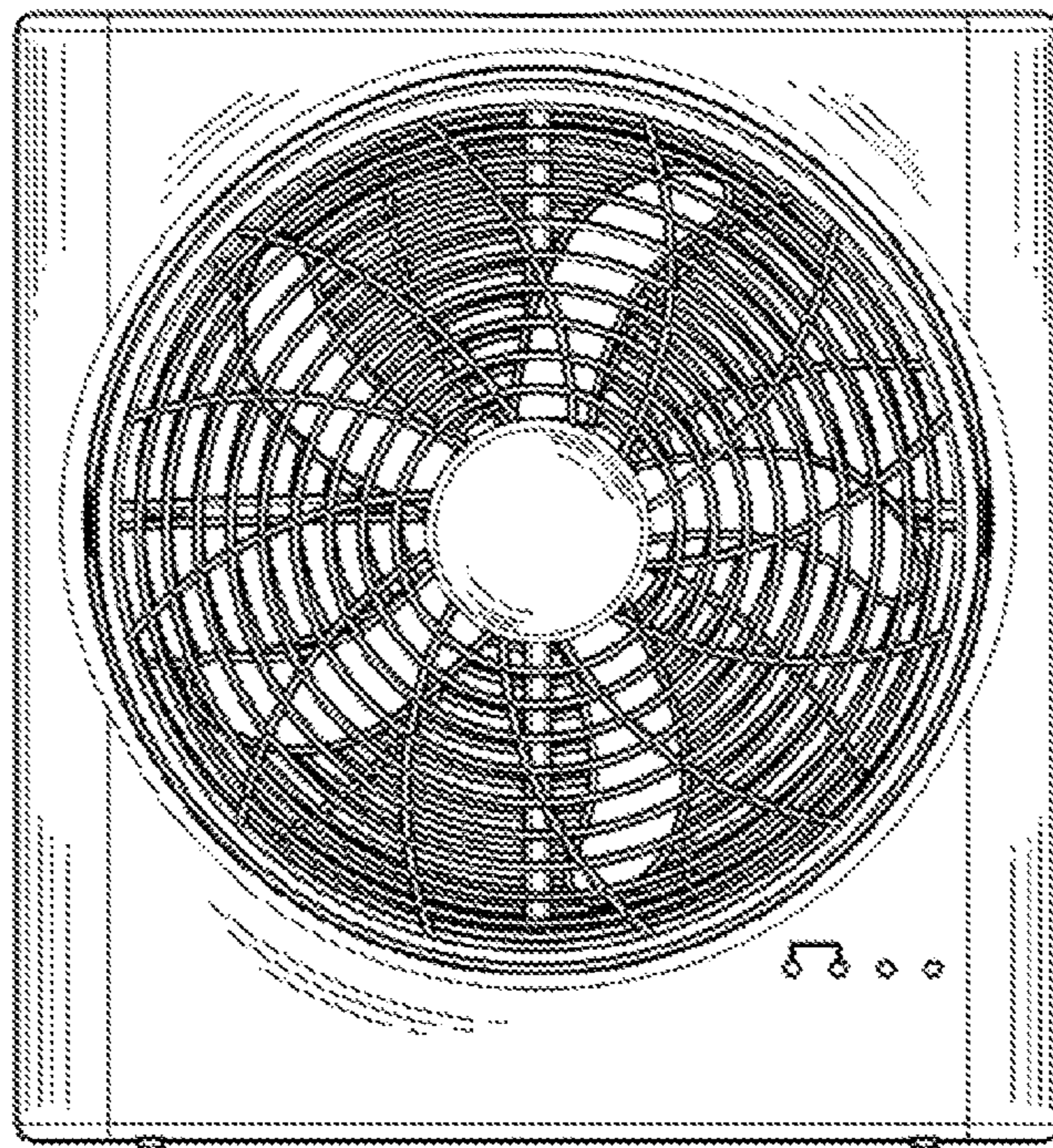


FIG. 2

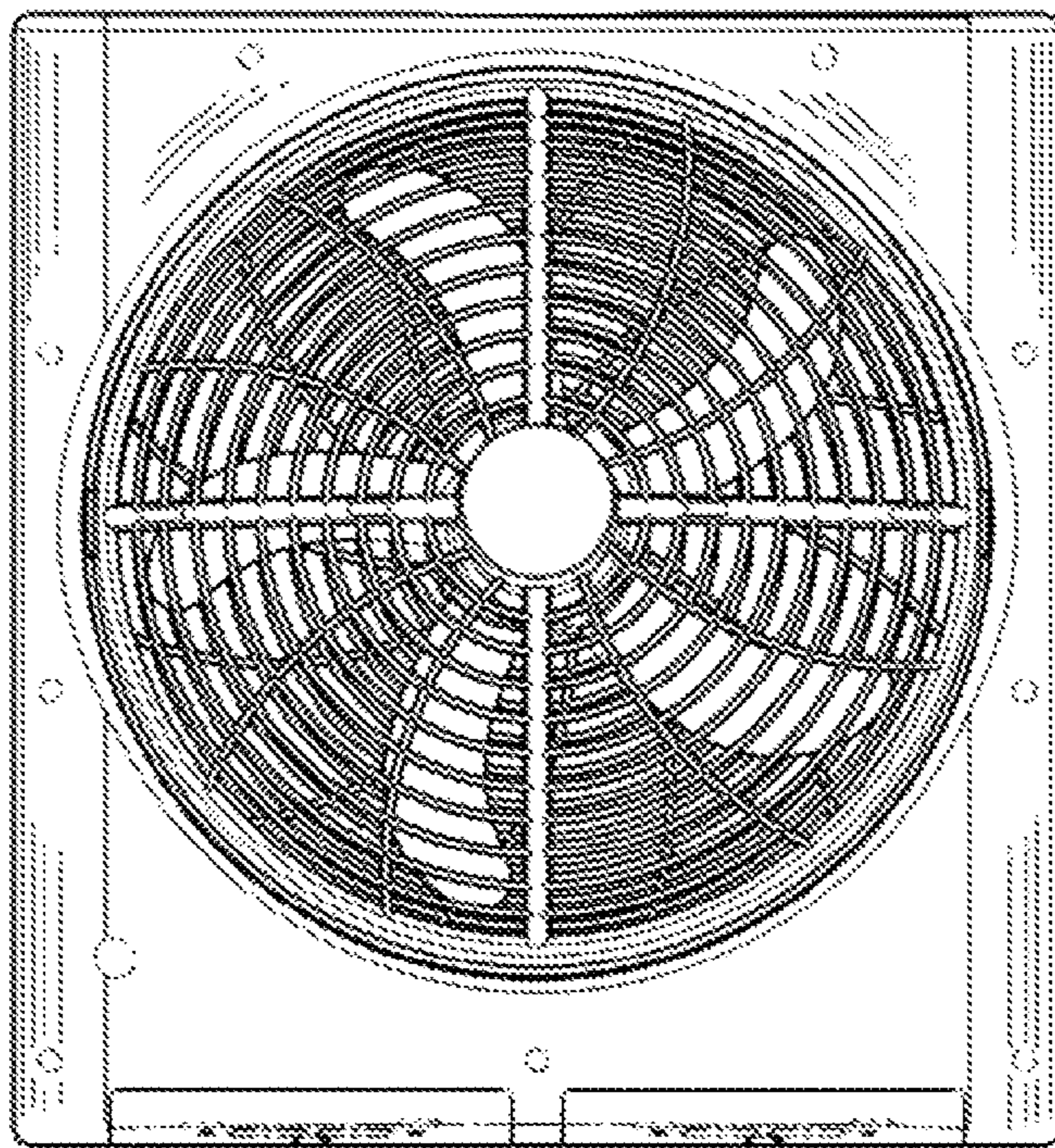


FIG. 3

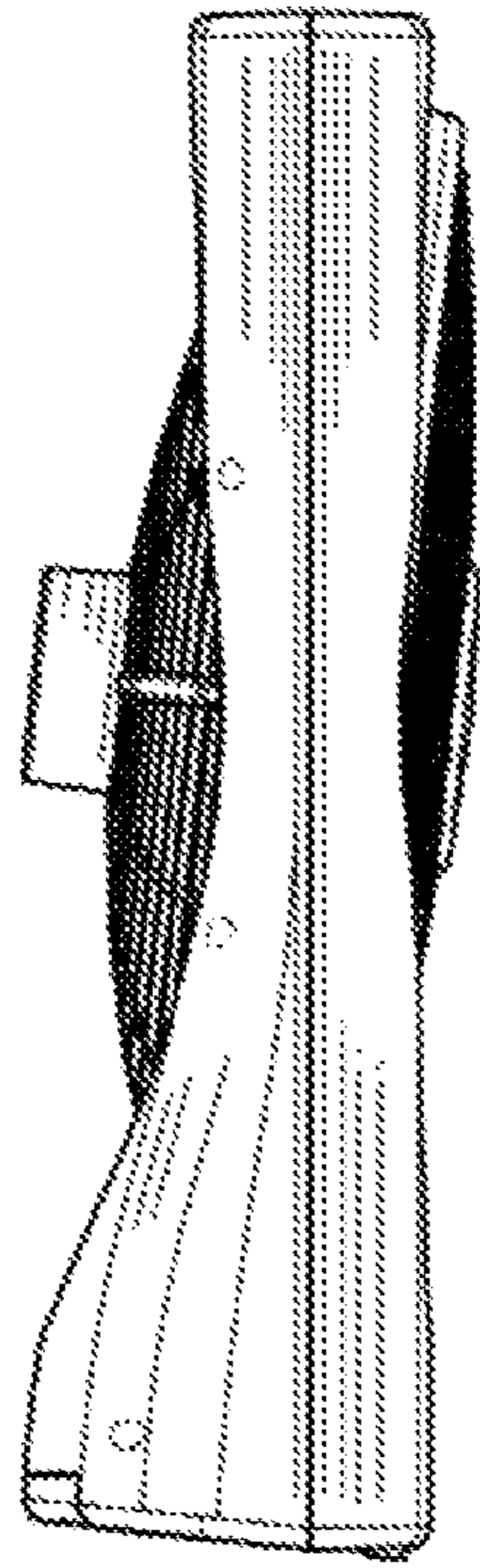


FIG. 4

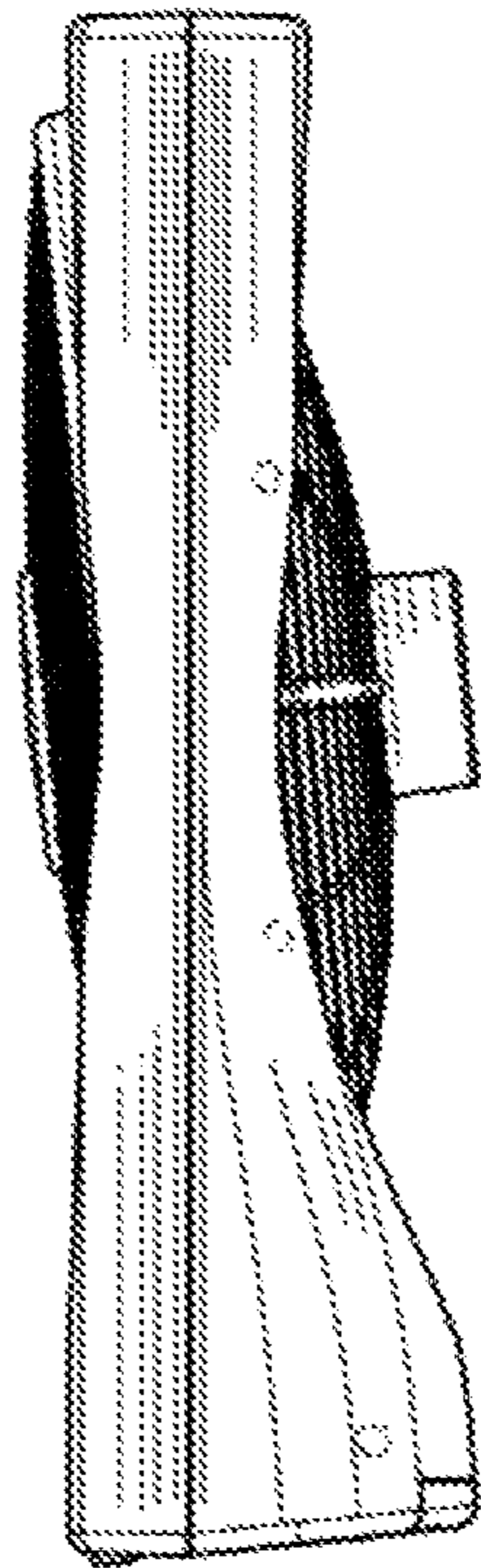


FIG. 5

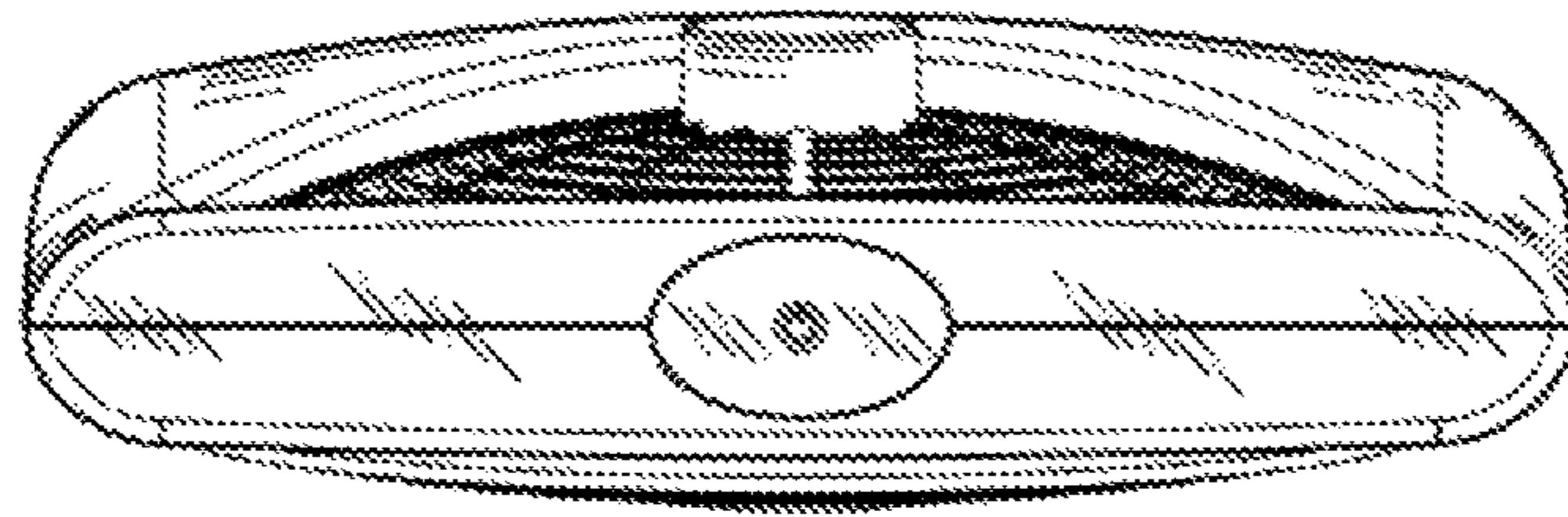


FIG. 6

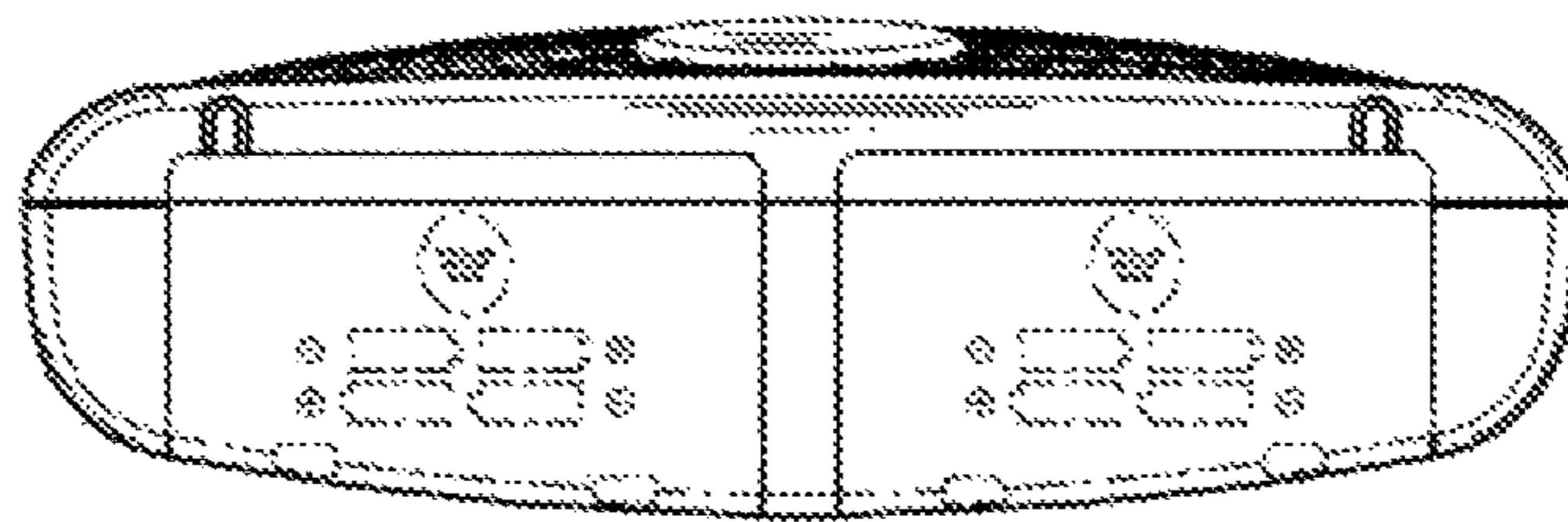


FIG. 7