



US00D683005S

(12) **United States Design Patent**
Park et al.

(10) **Patent No.:** **US D683,005 S**

(45) **Date of Patent:** **** May 21, 2013**

(54) **AIR CONDITIONER**

(75) Inventors: **Sang Il Park**, Seoul (KR); **Hyun Sangmin**, Seoul (KR); **Ji Hyun Moon**, Kyungki-do (KR); **Lee Seungchan**, Seoul (KR); **Park Jinsoo**, Kyunggido (KR)

(73) Assignee: **Samsung Electronics Co., Ltd.**, Gyeonggi-do (KR)

(**) Term: **14 Years**

(21) Appl. No.: **29/411,025**

(22) Filed: **Jan. 16, 2012**

(51) **LOC (9) Cl.** **23-04**

(52) **U.S. Cl.**
USPC **D23/351**

(58) **Field of Classification Search**
USPC D23/351-354, 385, 355, 357, 361, D23/337; 312/236; 62/259.1, 259.4, 262-263, 62/304; 454/330-331, 349-350
See application file for complete search history.

(56) **References Cited**

U.S. PATENT DOCUMENTS

D310,409 S * 9/1990 Allen et al. D23/351
D410,074 S * 5/1999 Lee D23/337

D420,113 S * 2/2000 Heinz et al. D23/337
D515,187 S * 2/2006 Blateri D23/337
D580,031 S * 11/2008 Kim et al. D23/351
D636,473 S * 4/2011 Kim et al. D23/351
D667,535 S * 9/2012 Baek et al. D23/351

* cited by examiner

Primary Examiner — Brian N Vinson

(74) *Attorney, Agent, or Firm* — Harness, Dickey & Pierce, P.L.C.

(57) **CLAIM**

The ornamental design for an air conditioner, as shown.

DESCRIPTION

FIG. 1 is a front/right-side/top perspective view of an air conditioner showing our new design;
FIG. 2 is a front-side elevational view thereof;
FIG. 3 is a rear-side elevational view thereof;
FIG. 4 is a left-side elevational view thereof;
FIG. 5 is a right-side elevational view thereof;
FIG. 6 is a top-side elevational view thereof; and,
FIG. 7 is a bottom-side elevational view thereof.

1 Claim, 6 Drawing Sheets

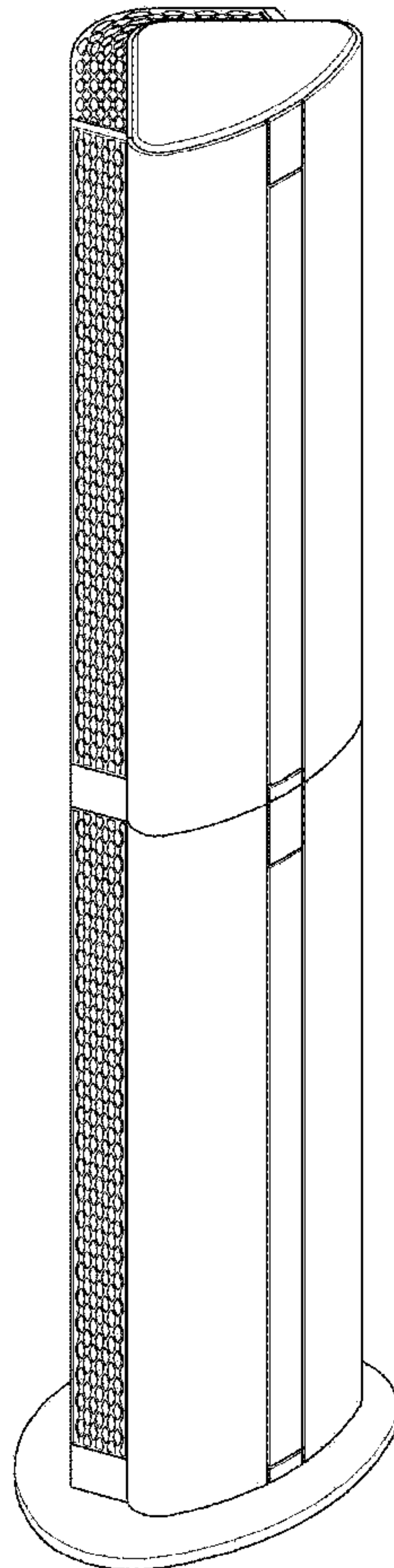


FIG. 1

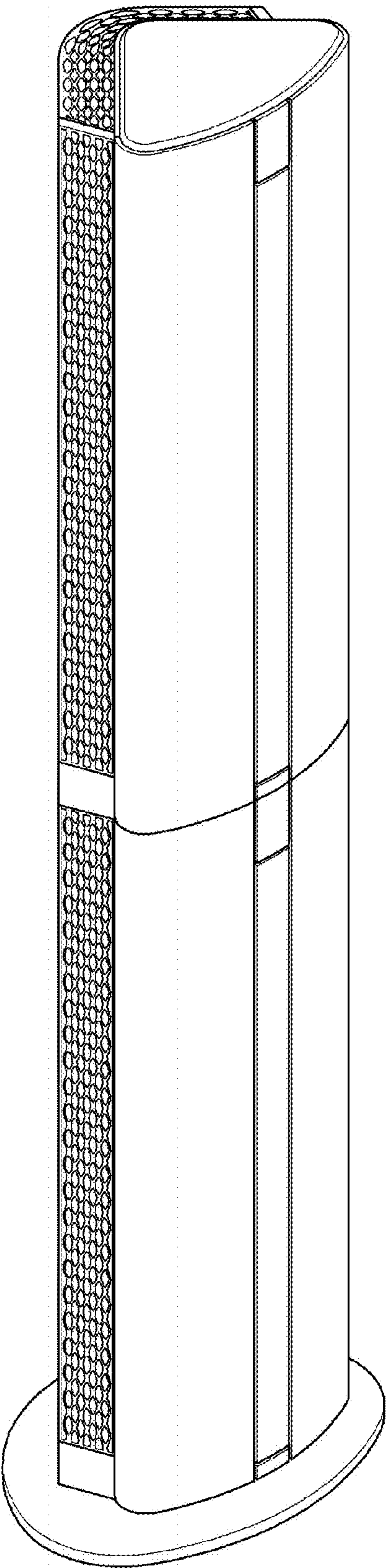


FIG. 2

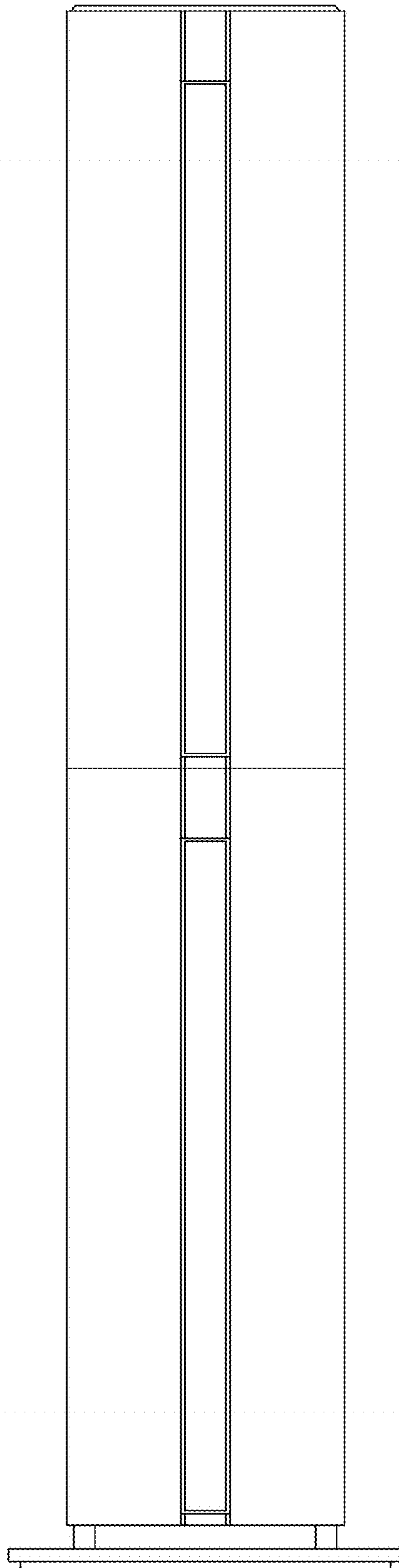


FIG. 3

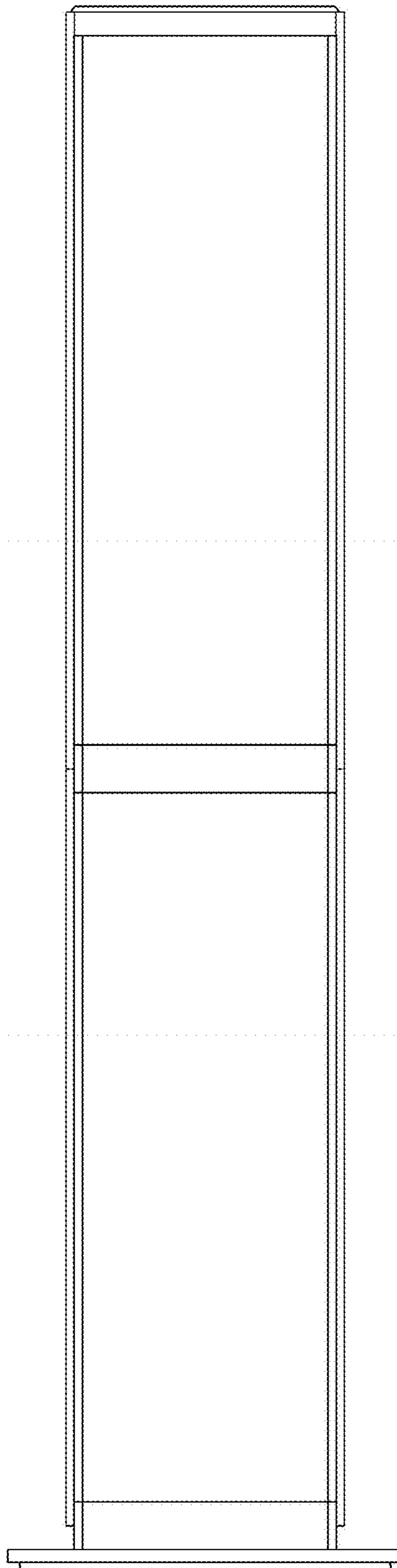


FIG. 4

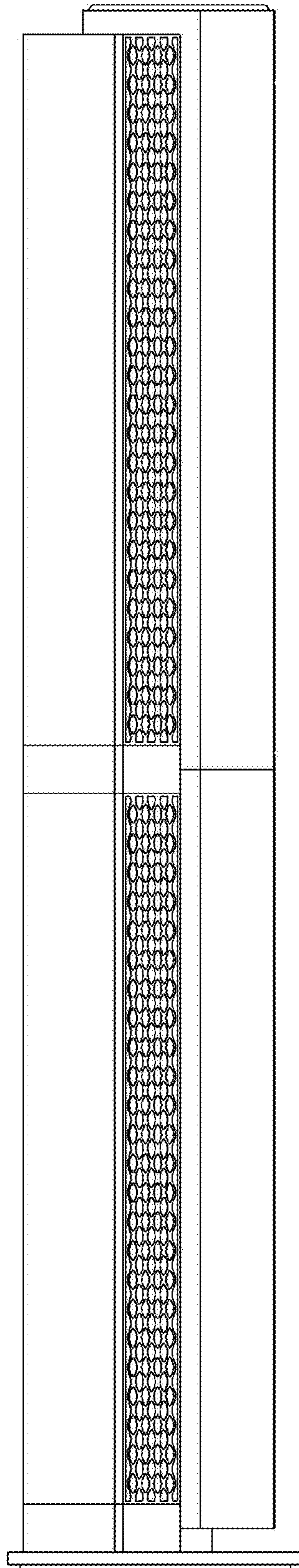


FIG. 5

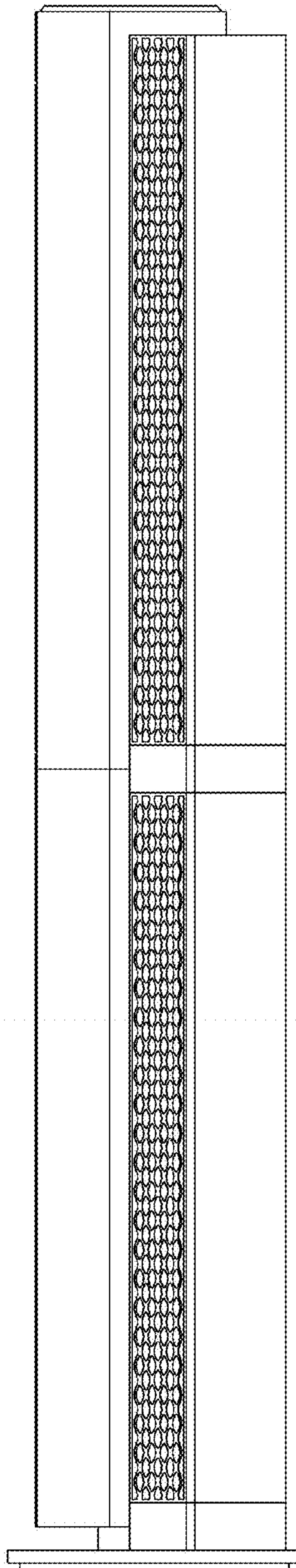


FIG. 6

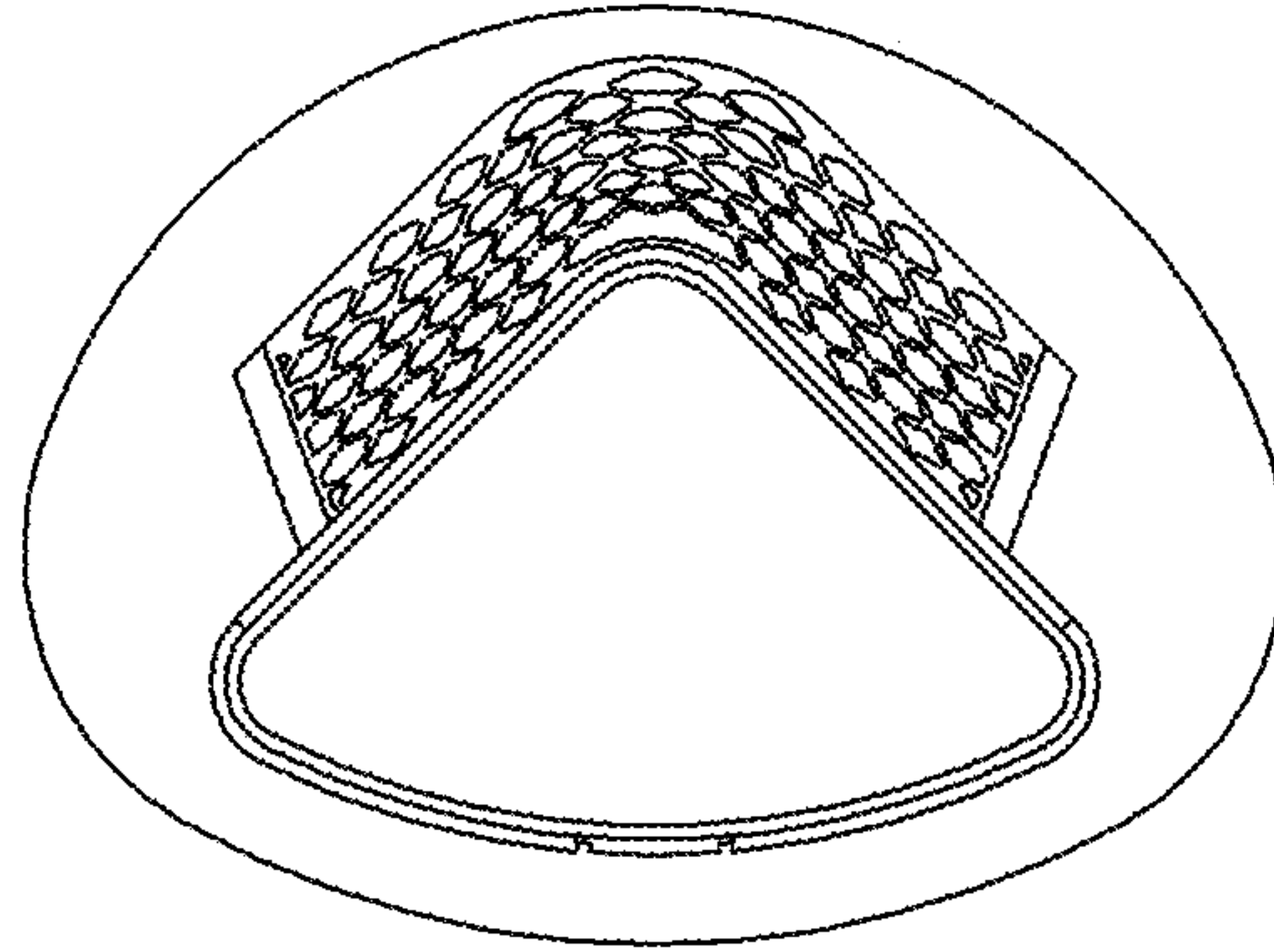


FIG. 7

