



US00D683002S

(12) **United States Design Patent**
Martin, Sr. et al.

(10) **Patent No.:** **US D683,002 S**

(45) **Date of Patent:** **** May 21, 2013**

(54) **FURNACE**
(75) Inventors: **Lendell Martin, Sr.**, Cypress, TX (US);
Cody Martin, Cypress, TX (US)
(73) Assignee: **Allstyle Coil Company, L.P.**, Houston,
TX (US)

(**) **Term:** **14 Years**

(21) **Appl. No.:** **29/373,696**

(22) **Filed:** **May 12, 2011**

(51) **LOC (9) Cl.** **23-03**

(52) **U.S. Cl.**
USPC **D23/329**

(58) **Field of Classification Search**
USPC .. D23/314, 322, 329; 373/110, 119; 219/400;
432/148, 176, 77

See application file for complete search history.

(56) **References Cited**

U.S. PATENT DOCUMENTS

3,299,660 A	1/1967	Sullivan	62/285
3,372,870 A	3/1968	Norris et al.	236/13
3,405,758 A	10/1968	Walker et al.	165/16
3,411,569 A	11/1968	Hildreth	165/63
3,601,116 A	8/1971	Davis	126/110
3,672,349 A	6/1972	Derringer	126/110 AA
3,685,577 A	8/1972	Goodgion et al.	126/110 AA
D230,981 S *	3/1974	Dupler	D23/329
3,985,115 A	10/1976	McVickar et al.	126/110 AA
D251,438 S	3/1979	Dowdall	23/93
D252,526 S	7/1979	DeNyse	D23/97
D260,283 S	8/1981	Cagle	D23/97
D262,650 S	1/1982	McKonkey	23/93
4,337,823 A	7/1982	DelPercio	165/48 R
4,409,955 A	10/1983	Christian	126/103
4,434,782 A	3/1984	Traeger	126/77
4,466,358 A	8/1984	Christian	110/211
4,924,848 A	5/1990	Vaughn	126/110
5,062,280 A	11/1991	Martin, Sr.	62/291

5,284,027 A	2/1994	Martin, Sr.	62/291
5,293,860 A	3/1994	Tomlinson et al.	126/110 R
5,341,796 A *	8/1994	Beck et al.	126/110 R
5,345,924 A *	9/1994	Rieke et al.	126/110 R
5,347,980 A	9/1994	Shellenberger	126/110
5,379,832 A	1/1995	Dempsey	165/110
5,765,544 A	6/1998	Vigansky, Jr.	126/113
5,992,410 A	11/1999	Raleigh et al.	126/110 AA
6,021,775 A	2/2000	Dempsey et al.	126/110 AA
D427,302 S	6/2000	Mills et al.	D23/387
6,332,411 B1	12/2001	Skrotskaya et al.	110/297
6,394,794 B2	5/2002	Bloom et al.	432/128
6,516,140 B2	2/2003	Arnold et al.	392/360
D484,897 S	1/2004	Hohenshelt et al.	D15/144.1

(Continued)

FOREIGN PATENT DOCUMENTS

JP 58-35343 2/1983

OTHER PUBLICATIONS

SL/BL Series Upflow and Horizontal (left or right) Air Handling Unit, Allstyle Coil Company, Inc., 1996, 2 pages.

Primary Examiner — T. Chase Nelson

Assistant Examiner — Ania Aman

(74) *Attorney, Agent, or Firm* — Guy McClung

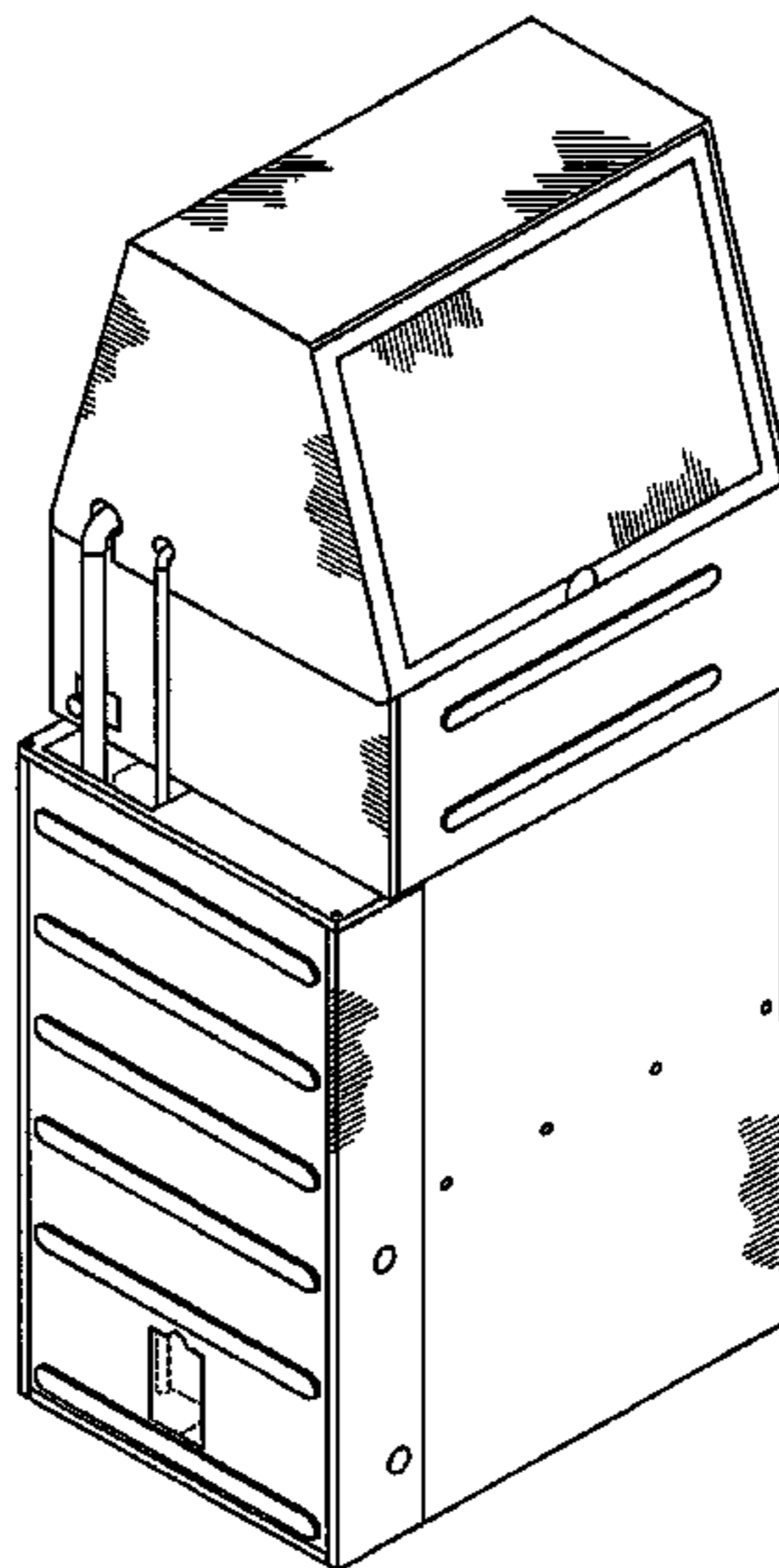
(57) **CLAIM**

The ornamental design for a furnace, as shown and described.

DESCRIPTION

FIG. 1 is a front perspective view illustrating the design for a furnace;
FIG. 2 is a rear view thereof;
FIG. 3 is a front view thereof;
FIG. 4 is a side view thereof;
FIG. 5 is a side view thereof;
FIG. 6 is a top view thereof; and,
FIG. 7 is a bottom view thereof.

1 Claim, 4 Drawing Sheets



US D683,002 S

Page 2

U.S. PATENT DOCUMENTS				D623,280 S	9/2010	Bartlett et al.	D23/329
6,692,688 B2	2/2004	Contrucci et al.	266/144	D638,529 S	5/2011	Gedcke et al.	D23/329
7,507,368 B2	3/2009	Kurita et al.	266/252	* cited by examiner			

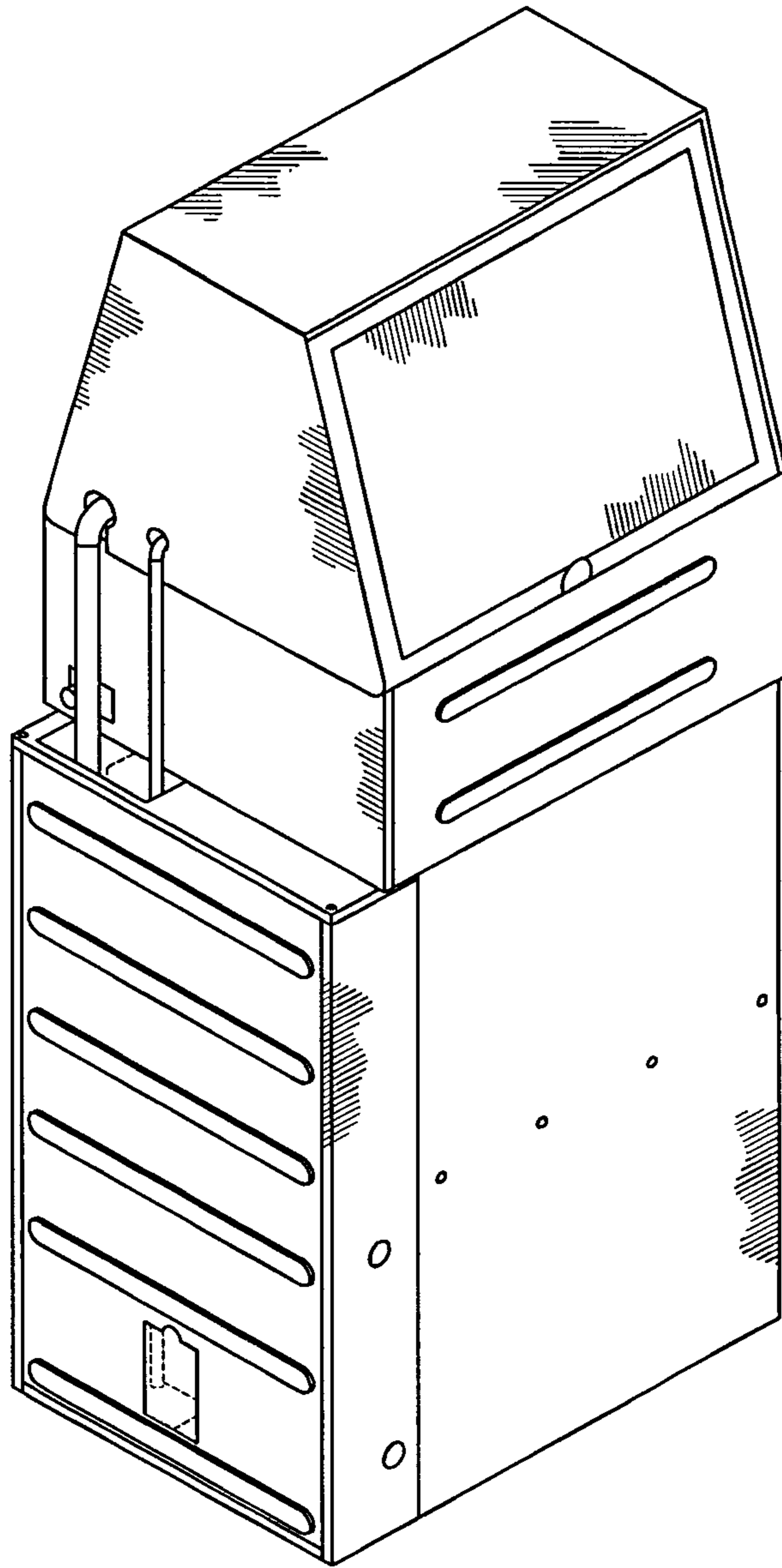


FIG. 1

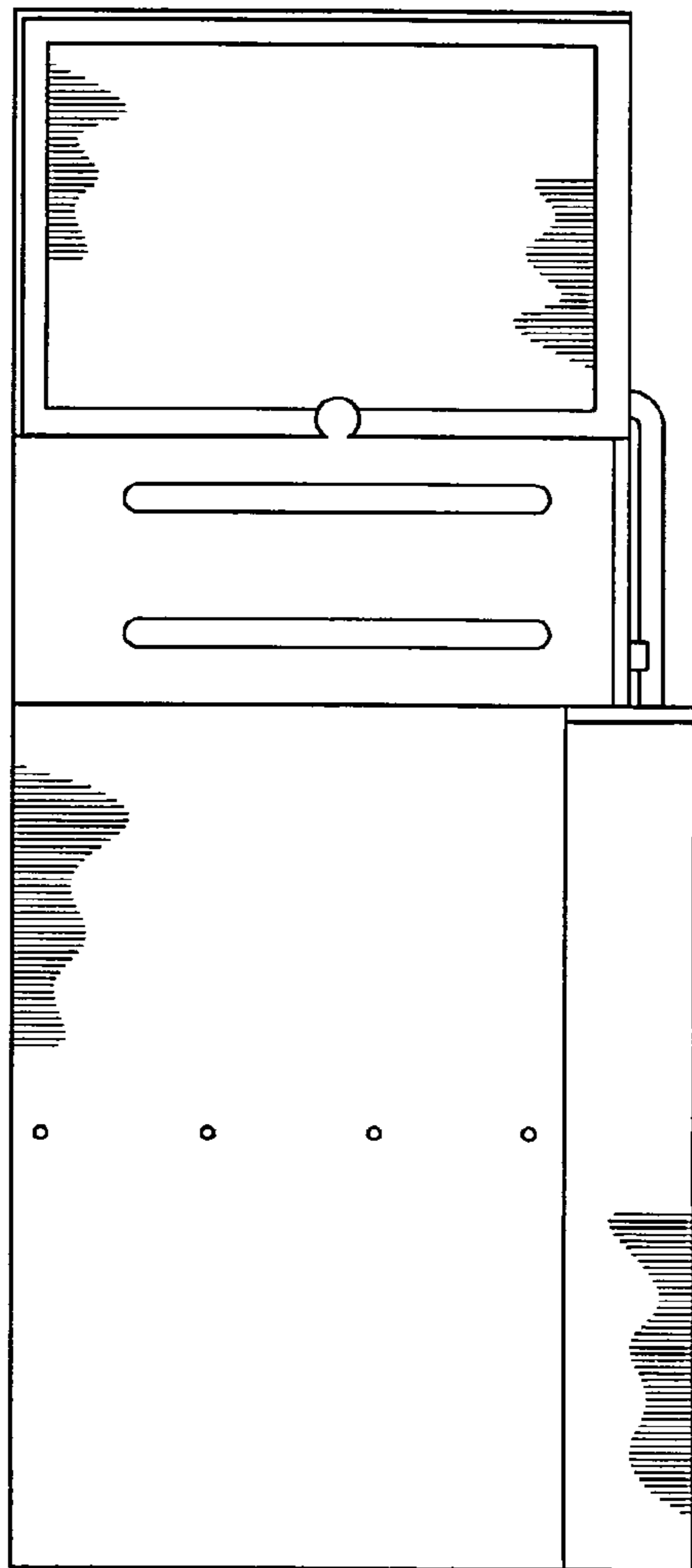


FIG. 2

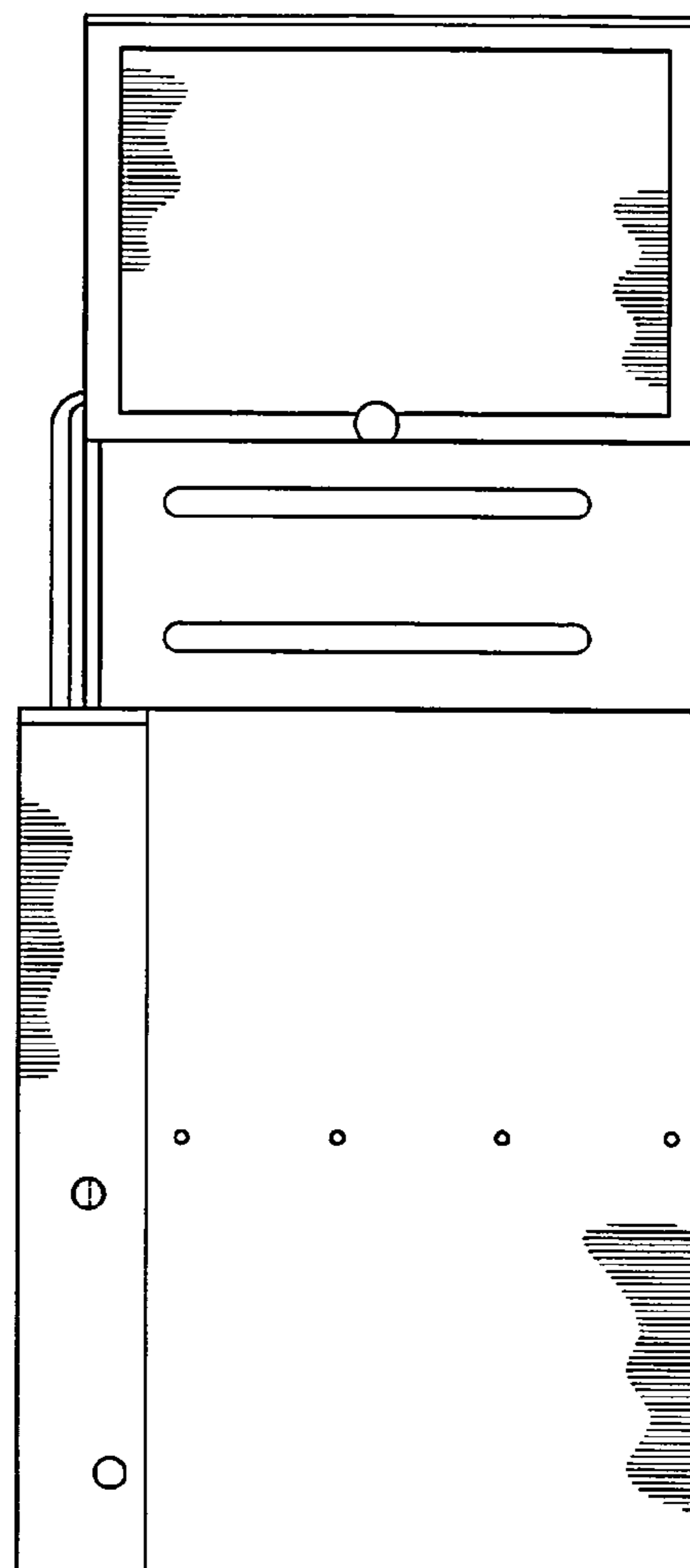


FIG. 3

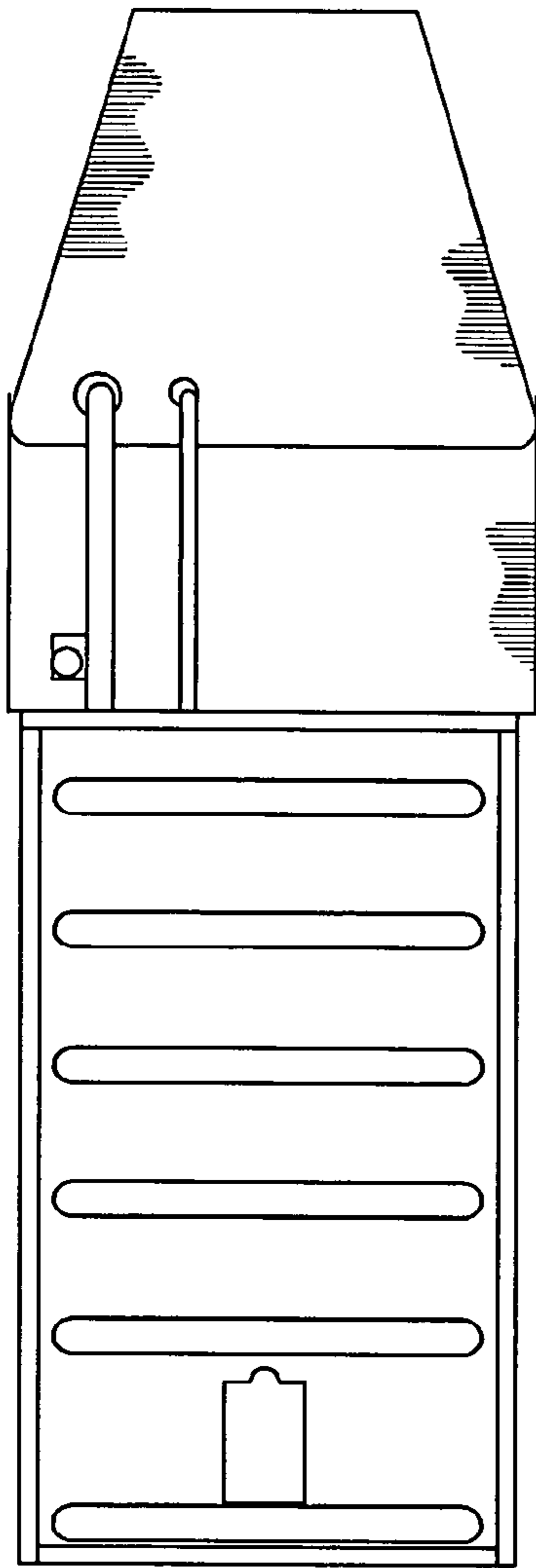


FIG. 4

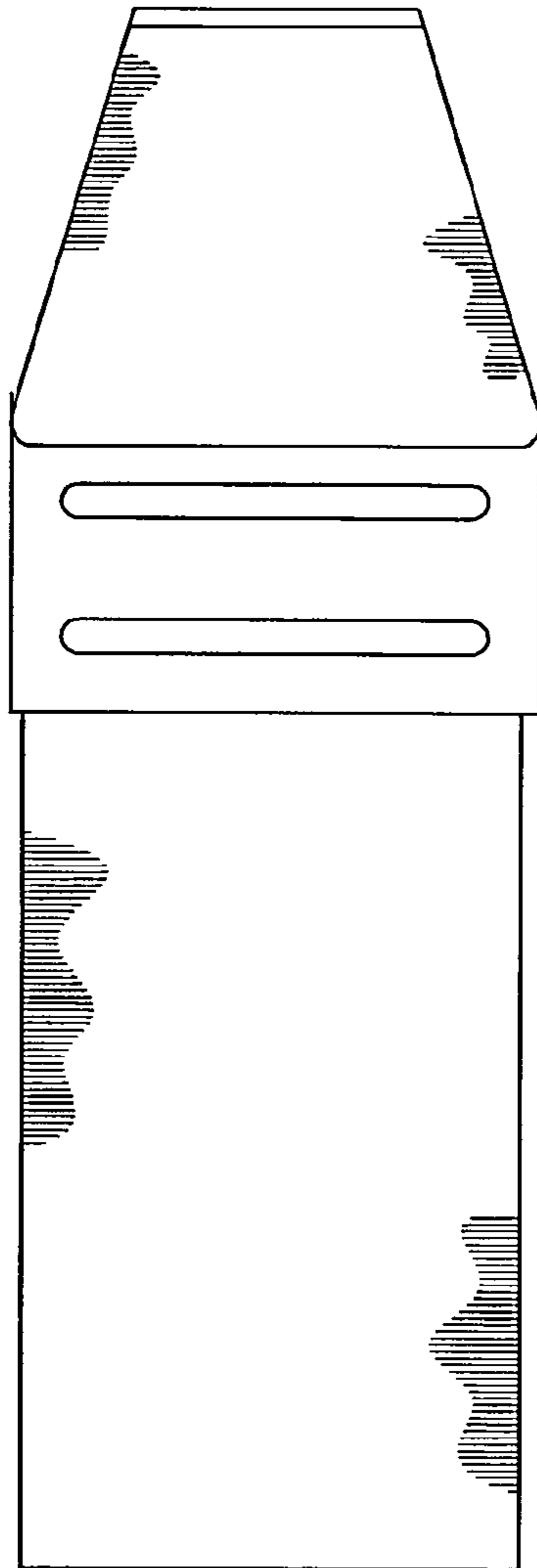


FIG. 5

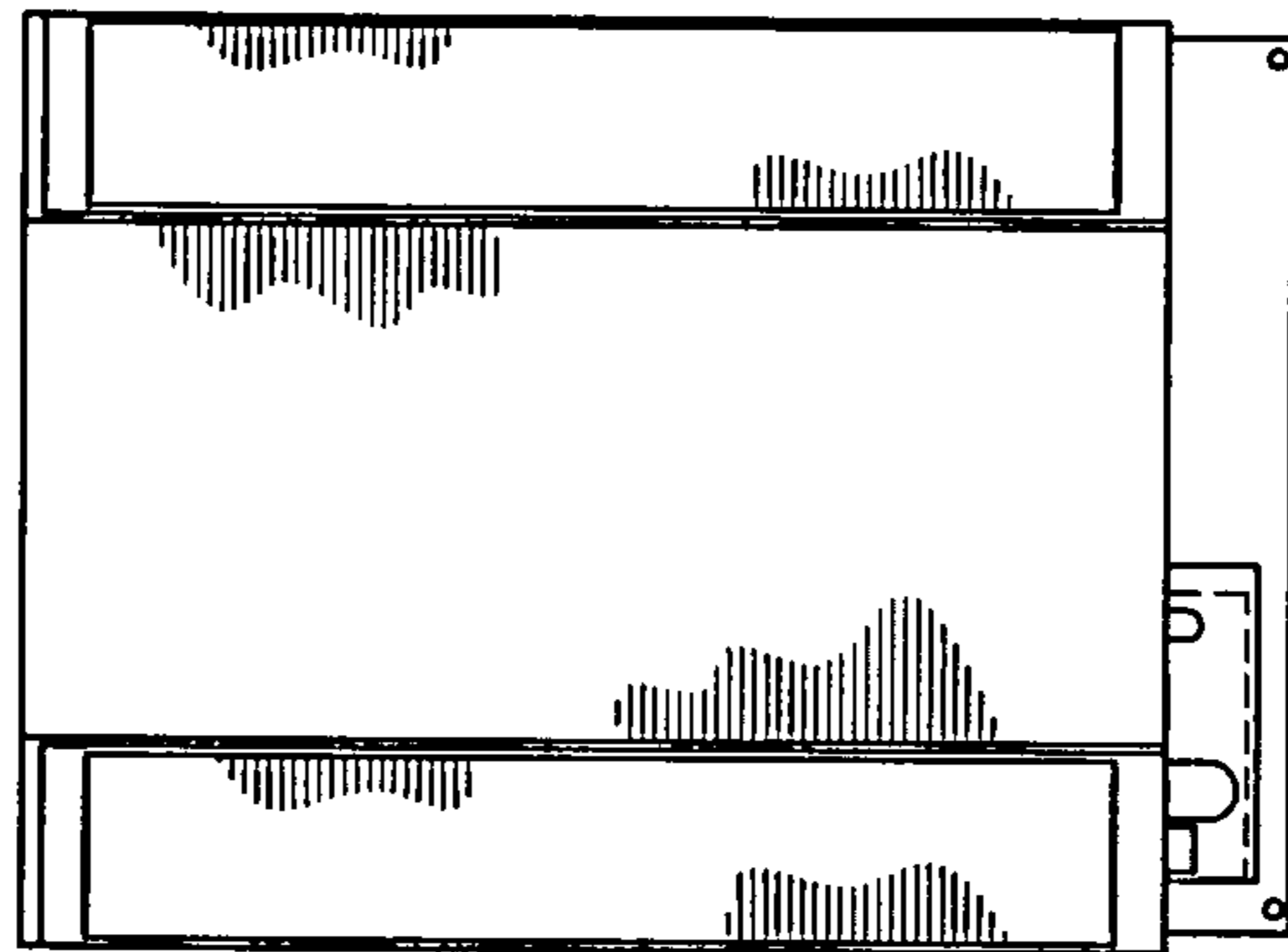


FIG. 6

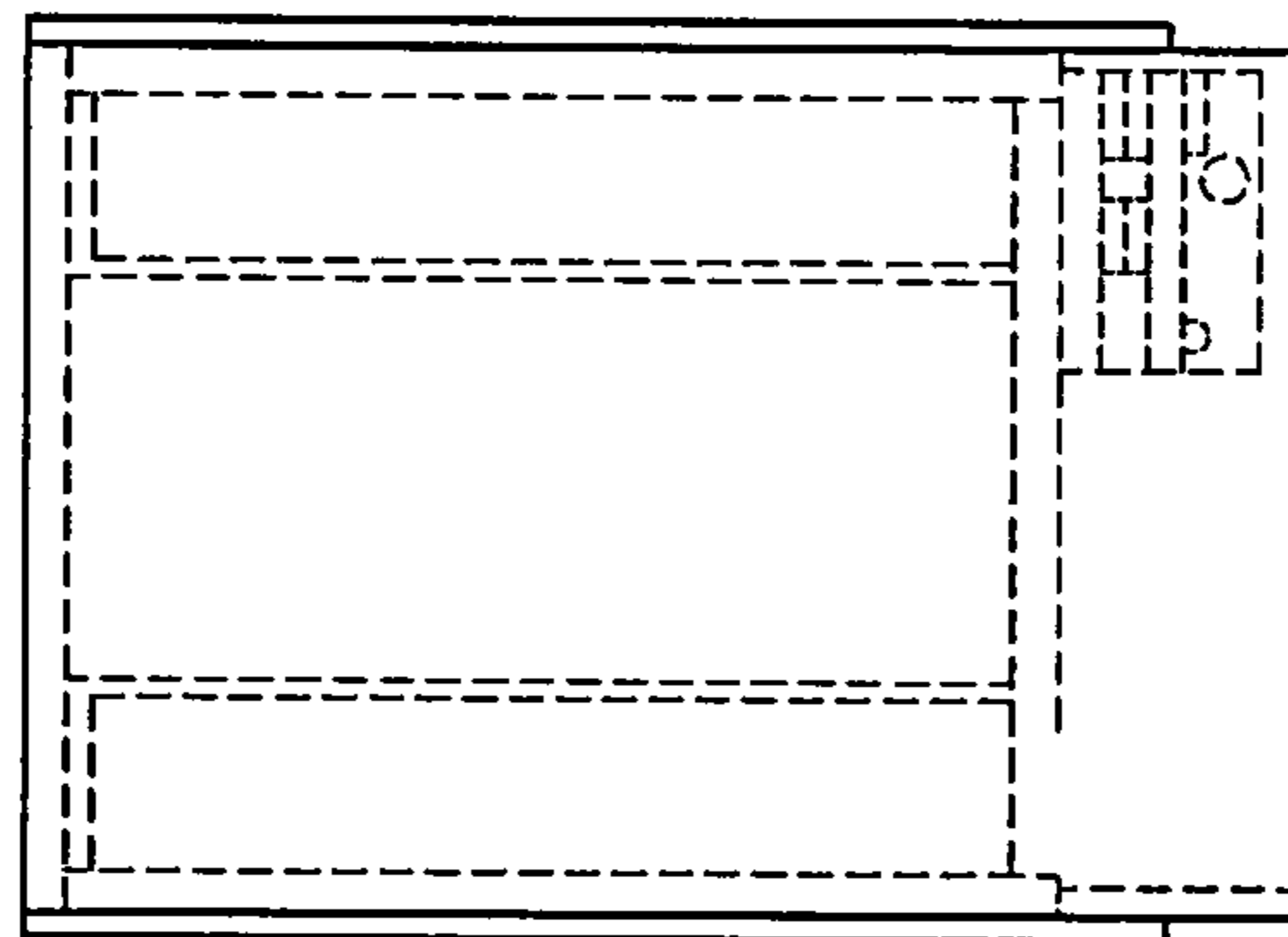


FIG. 7