



US00D682999S

(12) **United States Design Patent**
Adams

(10) **Patent No.:** **US D682,999 S**
(45) **Date of Patent:** **** May 21, 2013**

(54) **SHOWER RECEPTOR**

- (71) Applicant: **Kohler Co.**, Kohler, WI (US)
- (72) Inventor: **John K. Adams**, Sheboygan, WI (US)
- (73) Assignee: **Kohler Co.**, Kohler, WI (US)
- (**) Term: **14 Years**
- (21) Appl. No.: **29/436,254**
- (22) Filed: **Nov. 2, 2012**

Related U.S. Application Data

- (62) Division of application No. 29/413,020, filed on Feb. 9, 2012, now Pat. No. Des. 672,850.
- (51) **LOC (9) Cl.** **23-02**
- (52) **U.S. Cl.**
USPC **D23/304**
- (58) **Field of Classification Search** D23/275,
D23/283, 303-304; 4/663, 552, 596, 900
See application file for complete search history.

(56) **References Cited**

U.S. PATENT DOCUMENTS

D351,019 S	9/1994	Moore et al.
D596,721 S	7/2009	Hisey
D596,722 S	7/2009	Hisey
D611,129 S	3/2010	Hisey
D613,839 S	4/2010	Hisey
D614,750 S	4/2010	Hoernig et al.
D629,088 S	12/2010	Yoo et al.

Primary Examiner — Robert Delehanty

(74) *Attorney, Agent, or Firm* — Foley & Lardner LLP

(57) **CLAIM**

I claim the ornamental design for a shower receptor, as shown and described.

DESCRIPTION

FIG. 1 is a top perspective view of an embodiment of the claimed design;

FIG. 2 is another top perspective view of the claimed design of FIG. 1;

FIG. 3 is a front elevation view of the claimed design of FIG. 1;

FIG. 4 is a rear elevation view of the claimed design of FIG. 1;

FIG. 5 is a right-side elevation view of the claimed design of FIG. 1;

FIG. 6 is a left-side elevation view of the claimed design of FIG. 1;

FIG. 7 is a top plan view of the claimed design of FIG. 1;

FIG. 8 is a bottom plan view of the claimed design of FIG. 1;

FIG. 9 is a cross-sectional view of the claimed design of FIG. 1 taken along line 9-9 of FIG. 7;

FIG. 10 is a cross-sectional view of the claimed design of FIG. 1 taken along line 10-10 of FIG. 7;

FIG. 11 is a detailed cross-sectional view of the claimed design of FIG. 1 taken across line 11-11 in FIG. 10;

FIG. 12 is a top perspective view of another embodiment of the claimed design;

FIG. 13 is another top perspective view of the claimed design of FIG. 12;

FIG. 14 is a front elevation view of the claimed design of FIG. 12;

FIG. 15 is a rear elevation view of the claimed design of FIG. 12;

FIG. 16 is a right-side elevation view of the claimed design of FIG. 12;

FIG. 17 is a left-side elevation view of the claimed design of FIG. 12;

FIG. 18 is a top plan view of the claimed design of FIG. 12;

FIG. 19 is a bottom plan view of the claimed design of FIG. 12;

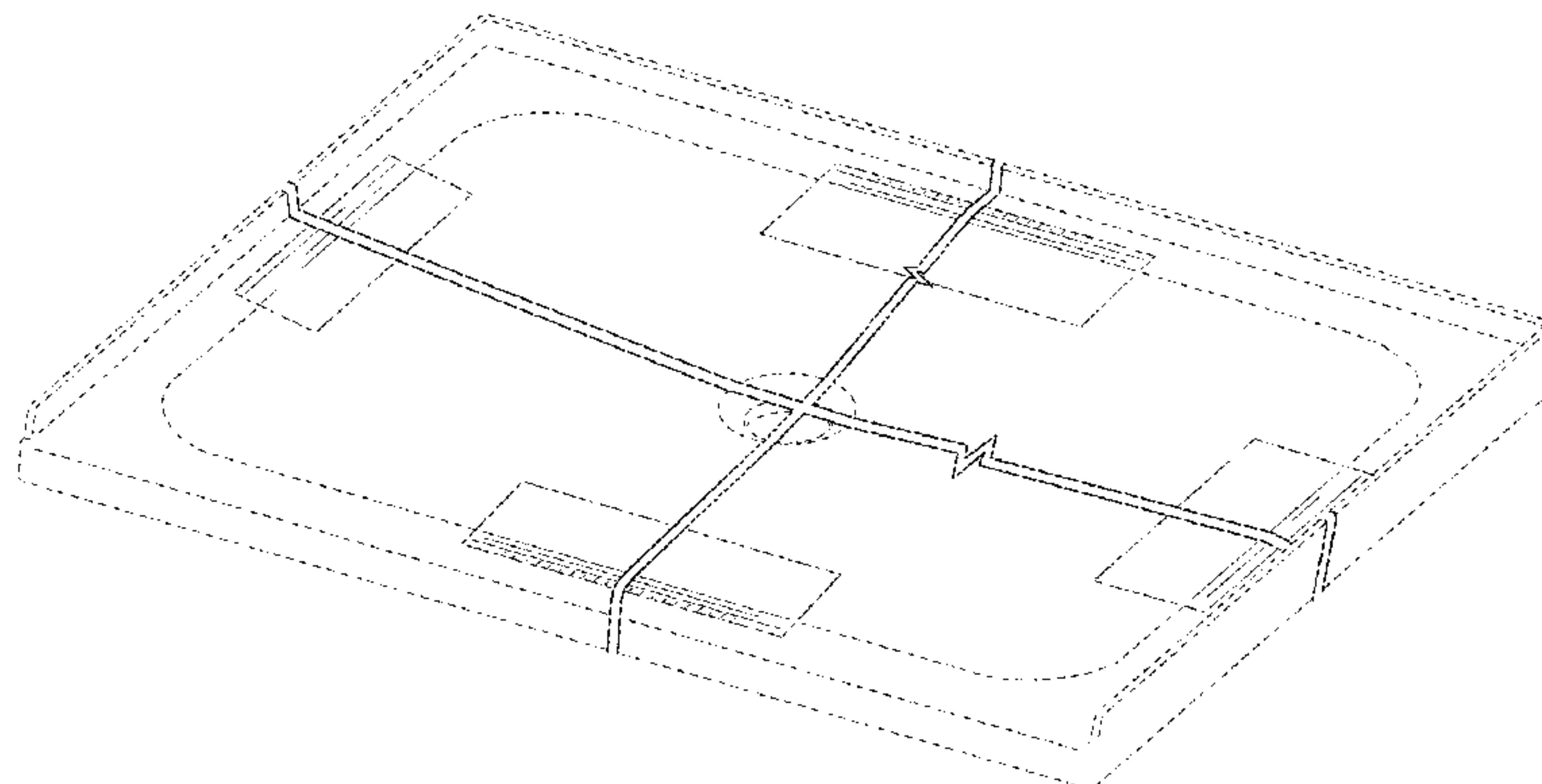
FIG. 20 is a cross-sectional view of the claimed design of FIG. 12 taken along line 20-20 of FIG. 18;

FIG. 21 is a cross-sectional view of the claimed design of FIG. 12 taken along line 21-21 of FIG. 18; and,

FIG. 22 is a detailed cross-sectional view of the claimed design of FIG. 12 taken along line 22-22 in FIG. 21.

The ornamental design which is claimed is shown in solid lines in the drawings. The broken lines in the drawings are for illustrative purposes only and form no part of the claimed design. The dot-dash-dot lines are unclaimed boundaries of claimed surfaces, and form no part of the claimed design.

1 Claim, 14 Drawing Sheets



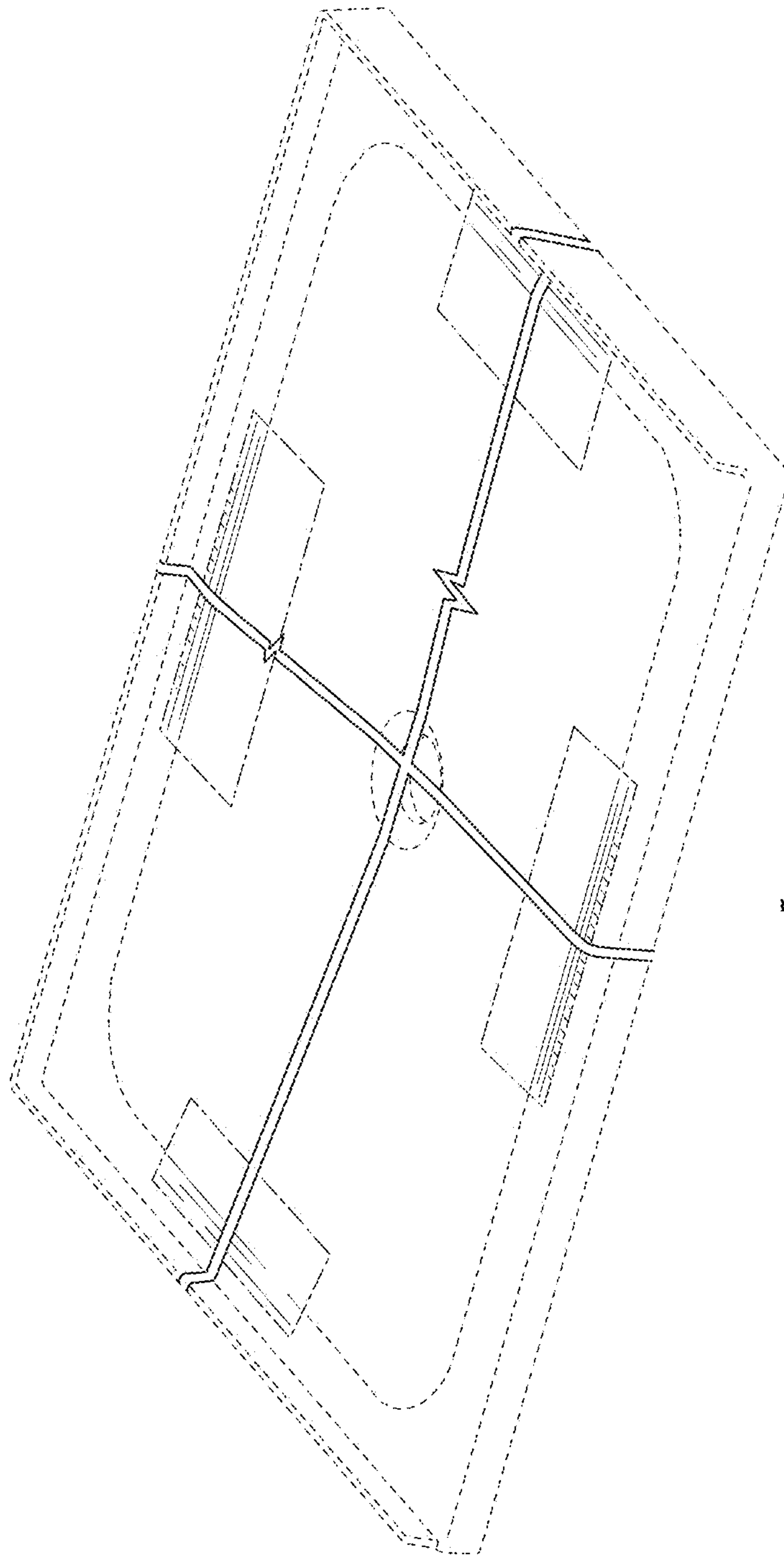


FIG. 1

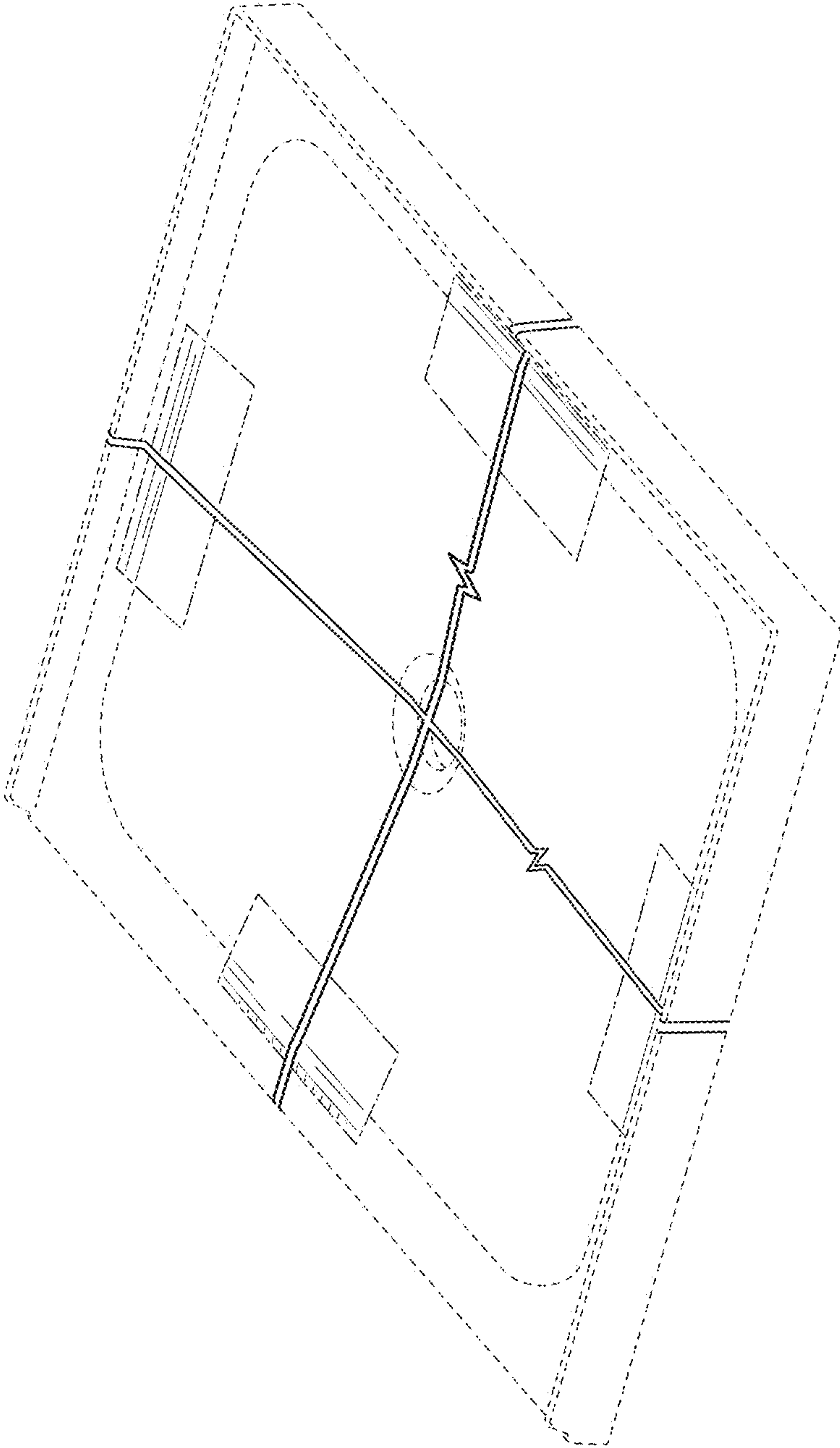


FIG. 2

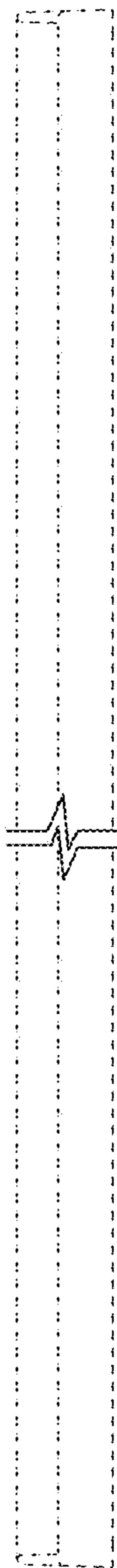


FIG. 3

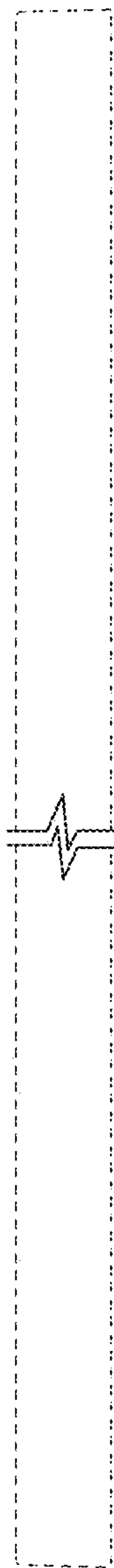


FIG. 4



FIG. 5



FIG. 6

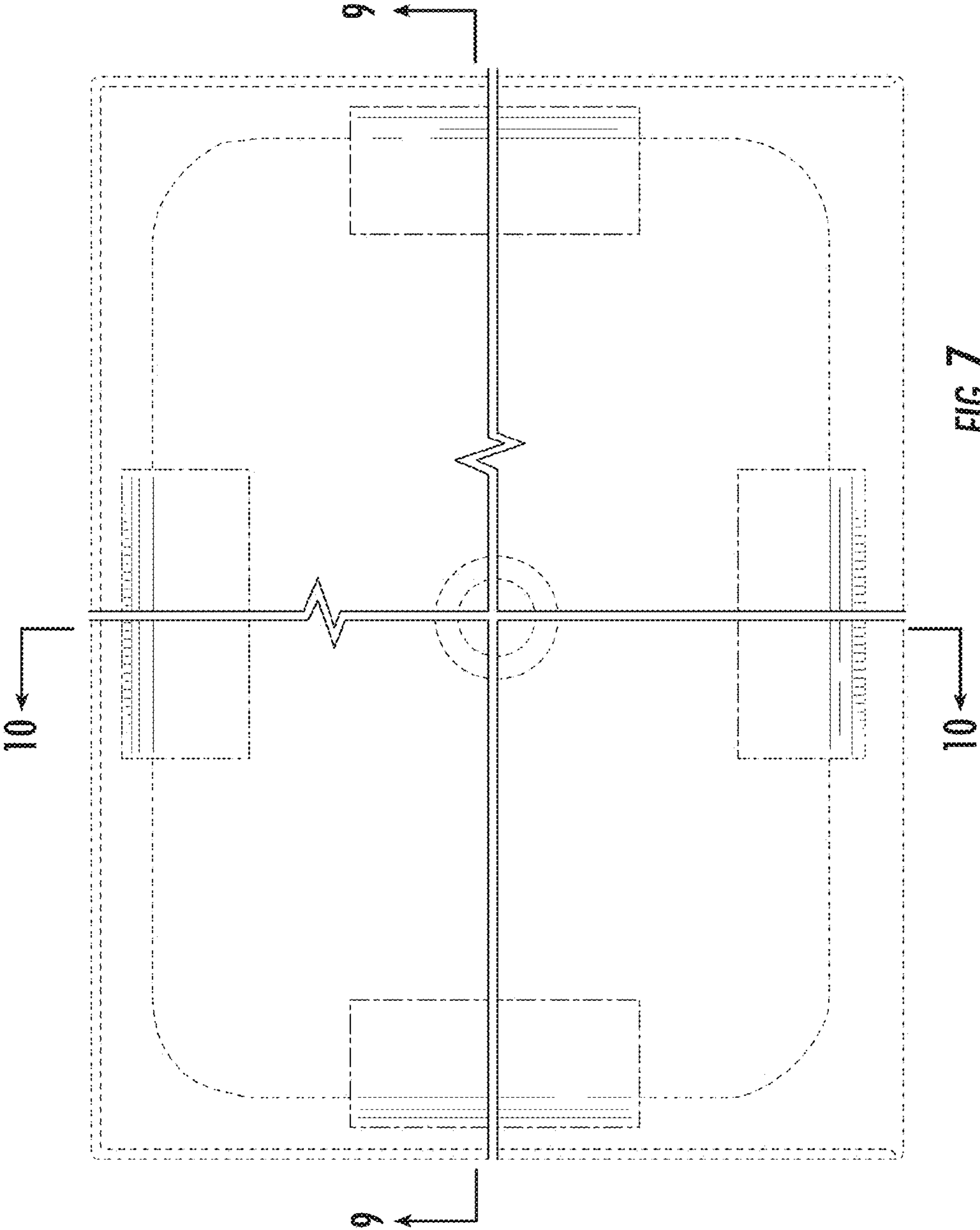


FIG. 7

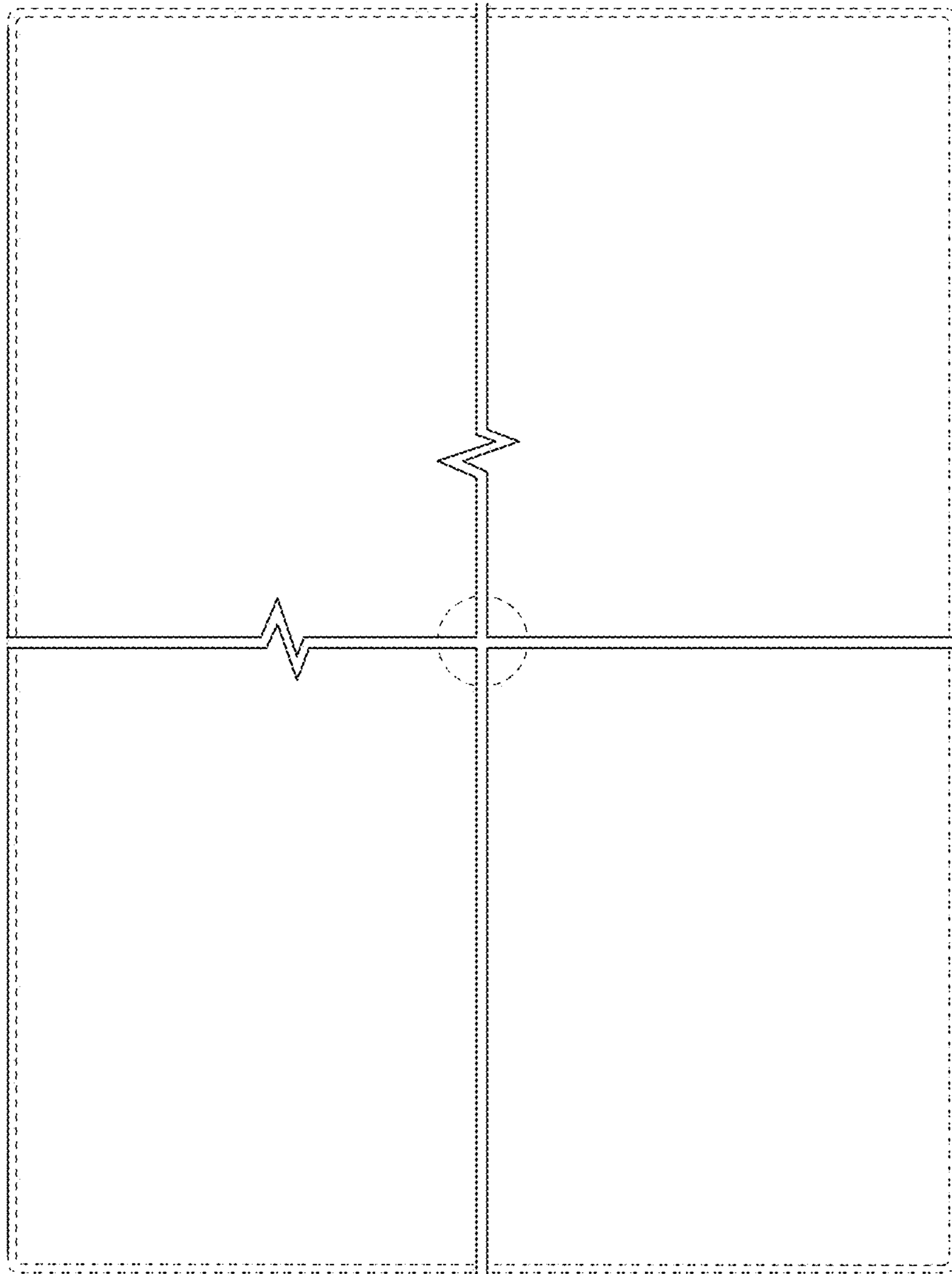


FIG. 8



FIG. 9

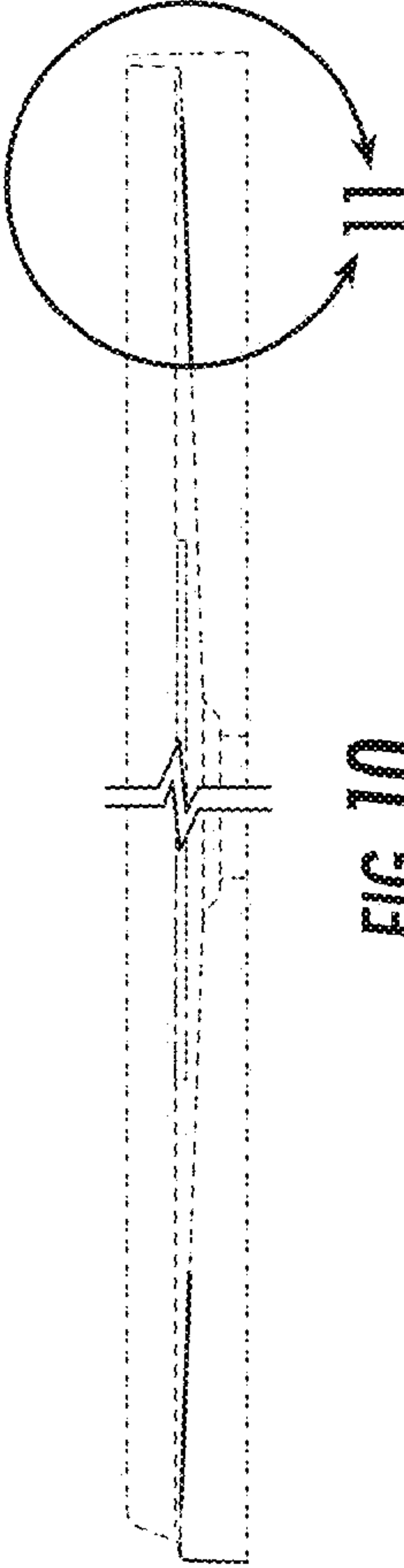


FIG. 10

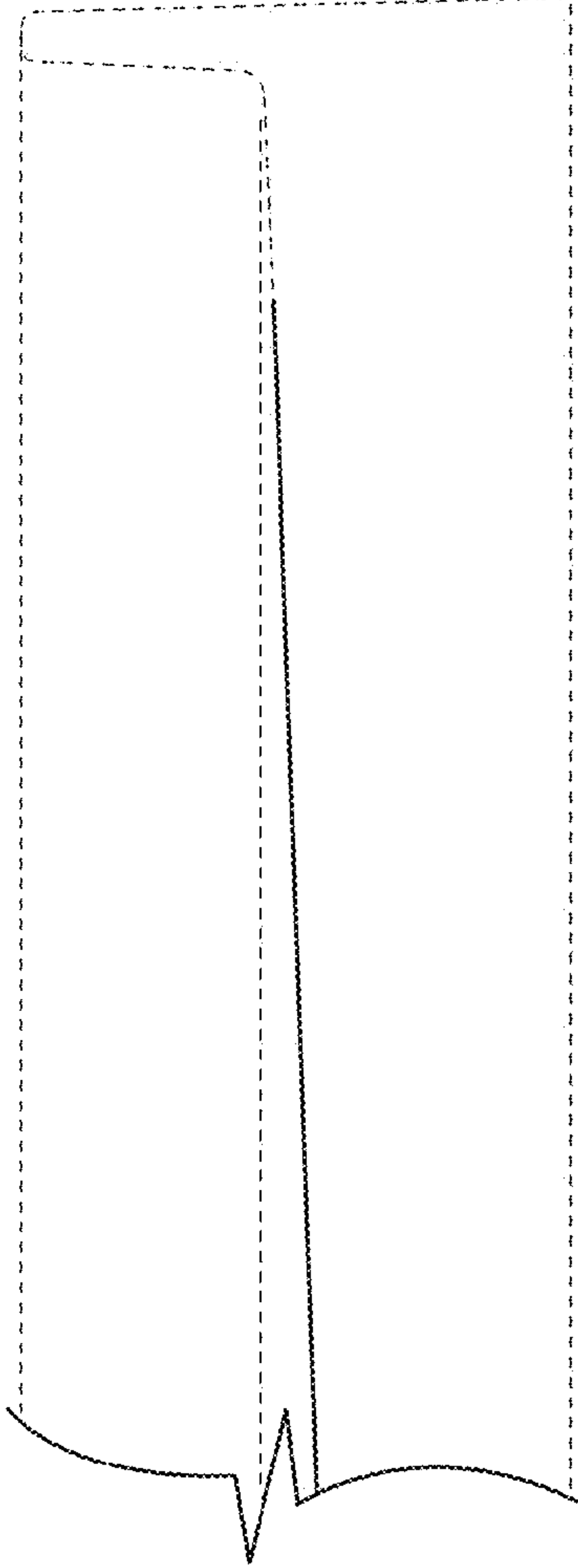


FIG. 11

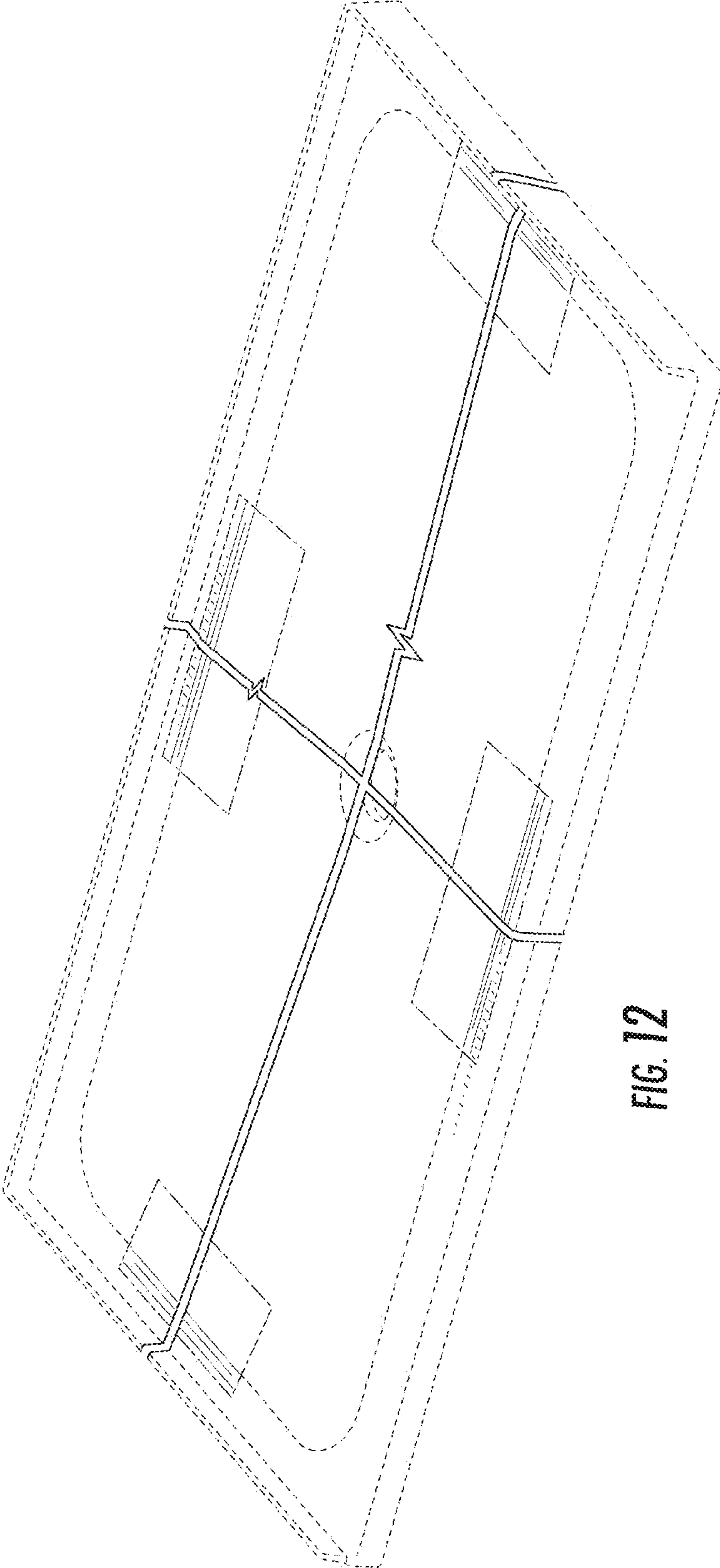


FIG. 12

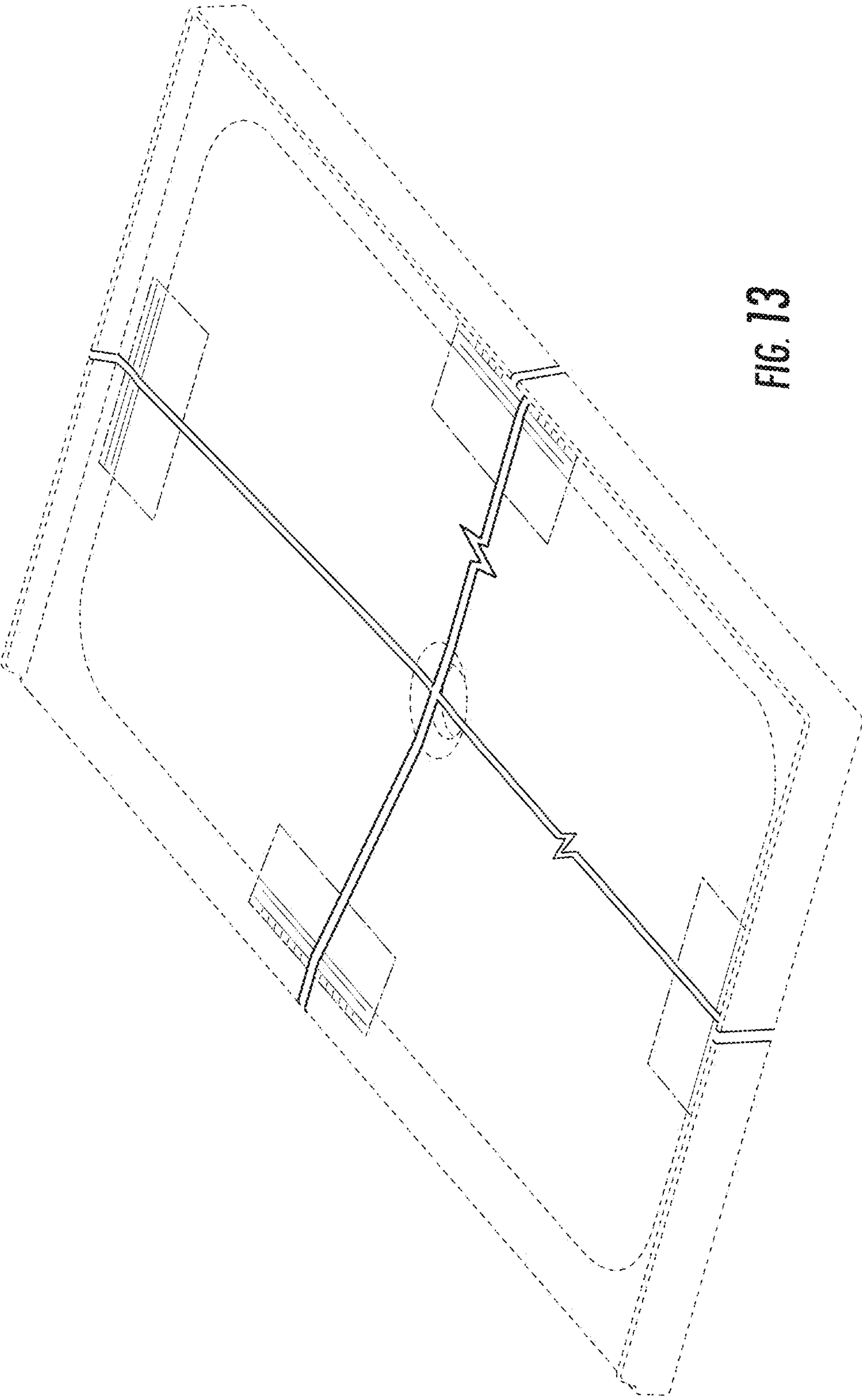


FIG. 13

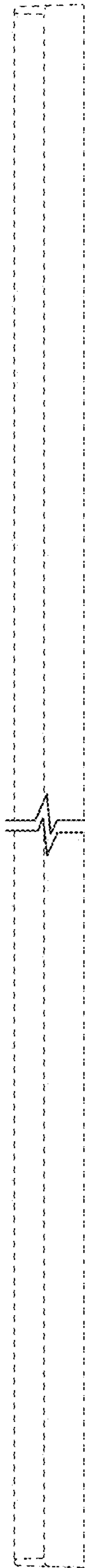


FIG. 14

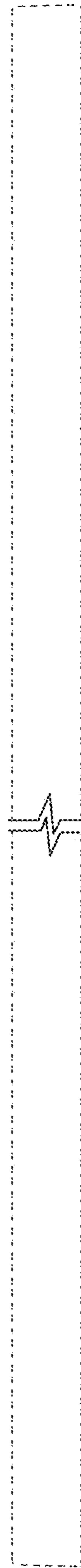


FIG. 15

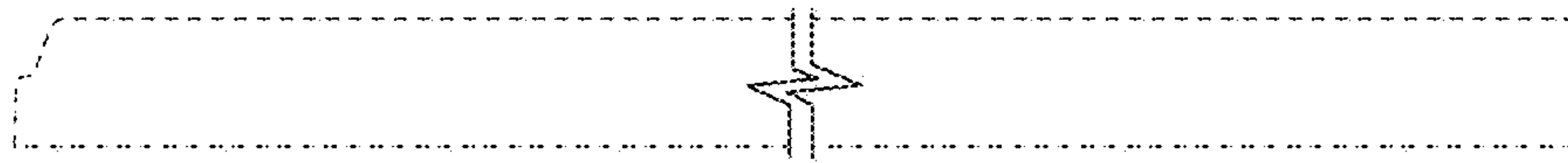


FIG. 16



FIG. 17

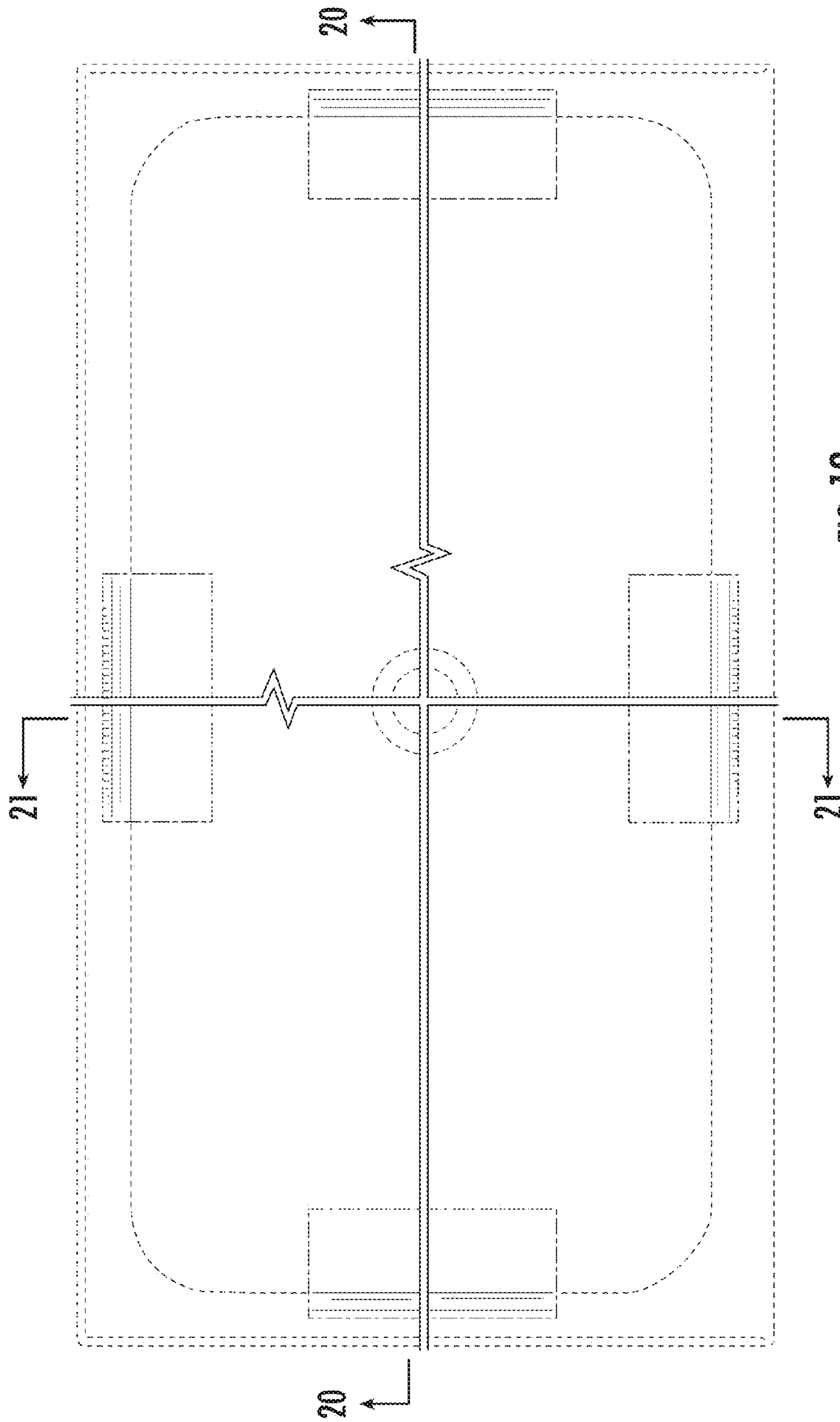


FIG. 18

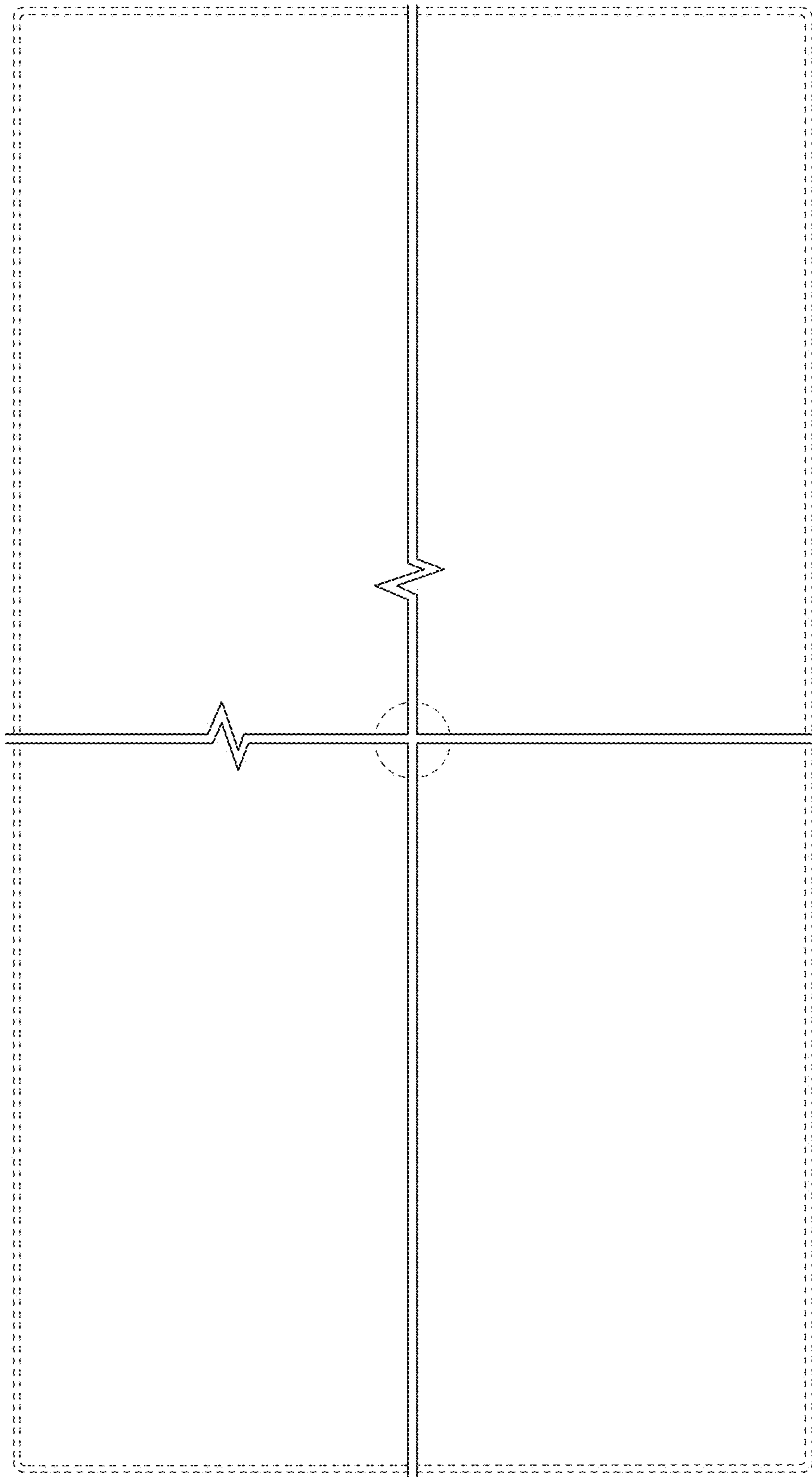


FIG. 19



FIG. 20

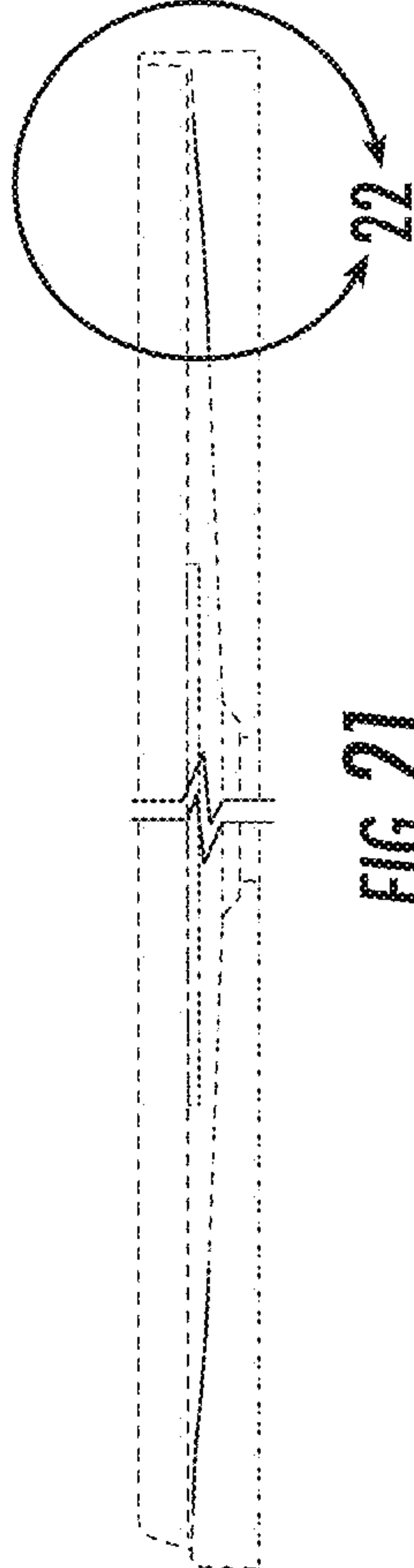


FIG. 21

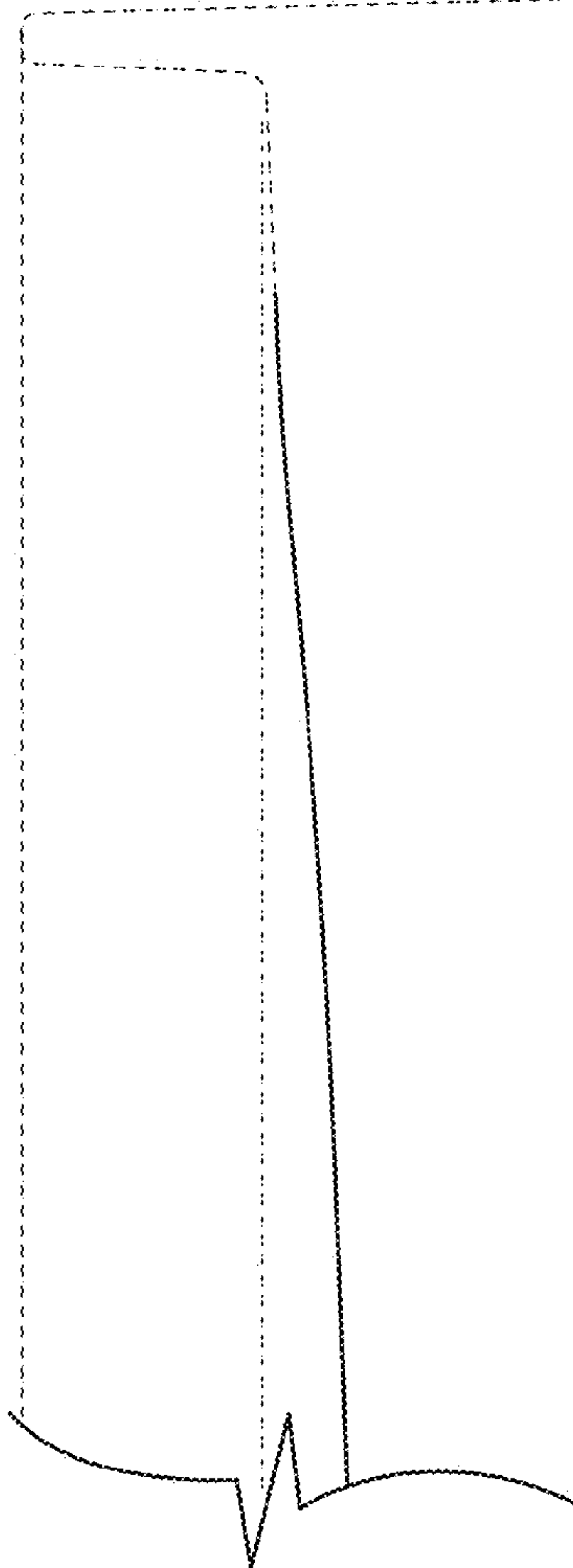


FIG. 22