



US00D682998S

(12) **United States Design Patent**  
**Eilmus**

(10) **Patent No.:** **US D682,998 S**  
(45) **Date of Patent:** **\*\* May 21, 2013**

- (54) **SINK**
- (75) Inventor: **Niels J. Eilmus**, Sheboygan, WI (US)
- (73) Assignee: **Kohler Co.**, Kohler, WI (US)
- (\*\*) Term: **14 Years**
- (21) Appl. No.: **29/390,172**
- (22) Filed: **Apr. 20, 2011**

**Related U.S. Application Data**

- (63) Continuation-in-part of application No. 29/387,847, filed on Mar. 18, 2011, now Pat. No. Des. 657,028.
- (51) **LOC (9) Cl.** ..... **23-02**
- (52) **U.S. Cl.**  
USPC ..... **D23/284**
- (58) **Field of Classification Search** ..... D23/284,  
D23/291, 293.1, 303, 308; 4/619, 639-640  
See application file for complete search history.

(56) **References Cited**

**U.S. PATENT DOCUMENTS**

D354,119 S 1/1995 Hauser, II

(Continued)

**OTHER PUBLICATIONS**

Blanco, Design for 511-652 Silgranit BlancoDiamond Single Bowl Drop In/Undermount Kitchen Sink Anthracite (Model No. BLAN 440194), retrieved Online at: <http://www.irawoods.com/Blanco-511-652-Silgranit-BlancoDiamond-Single-Bowl-Drop-In-Undermount-Kitchen-Sink-Anthracite?sc=22&category=731887>, Sep. 29, 2010, 1 page.

(Continued)

*Primary Examiner* — Robert Delehanty

(74) *Attorney, Agent, or Firm* — Foley & Lardner LLP

(57) **CLAIM**

I claim the ornamental design for a sink, as shown and described.

**DESCRIPTION**

FIG. 1 is a top perspective view of an embodiment of the claimed design;

FIG. 2 is a top plan view of the claimed design of FIG. 1;

FIG. 3 is a bottom plan view of the claimed design of FIG. 1;

FIG. 4 is a left-side elevation view of the claimed design of FIG. 1;

FIG. 5 is a front elevation view of the claimed design of FIG. 1;

FIG. 6 is a right-side elevation view of the claimed design of FIG. 1;

FIG. 7 is a rear elevation view of the claimed design of FIG. 1;

FIG. 8 is a cross-sectional view of FIG. 6;

FIG. 9 is a cross-sectional view of FIG. 5;

FIG. 10 is a top perspective view of another embodiment of the claimed design;

FIG. 11 is a top plan view of the claimed design of FIG. 10;

FIG. 12 is a bottom plan view of the claimed design of FIG. 10;

FIG. 13 is a left-side elevation view of the claimed design of FIG. 10;

FIG. 14 is a front elevation view of the claimed design of FIG. 10;

FIG. 15 is a right-side elevation view of the claimed design of FIG. 10;

FIG. 16 is a rear elevation view of the claimed design of FIG. 10;

FIG. 17 is a cross-sectional view of FIG. 15;

FIG. 18 is a cross-sectional view of FIG. 14;

FIG. 19 is a top perspective view of another embodiment of the claimed design;

FIG. 20 is a top plan view of the claimed design of FIG. 19;

FIG. 21 is a bottom plan view of the claimed design of FIG. 19;

FIG. 22 is a left-side elevation view of the claimed design of FIG. 19;

FIG. 23 is a front elevation view of the claimed design of FIG. 19;

FIG. 24 is a right-side elevation view of the claimed design of FIG. 19;

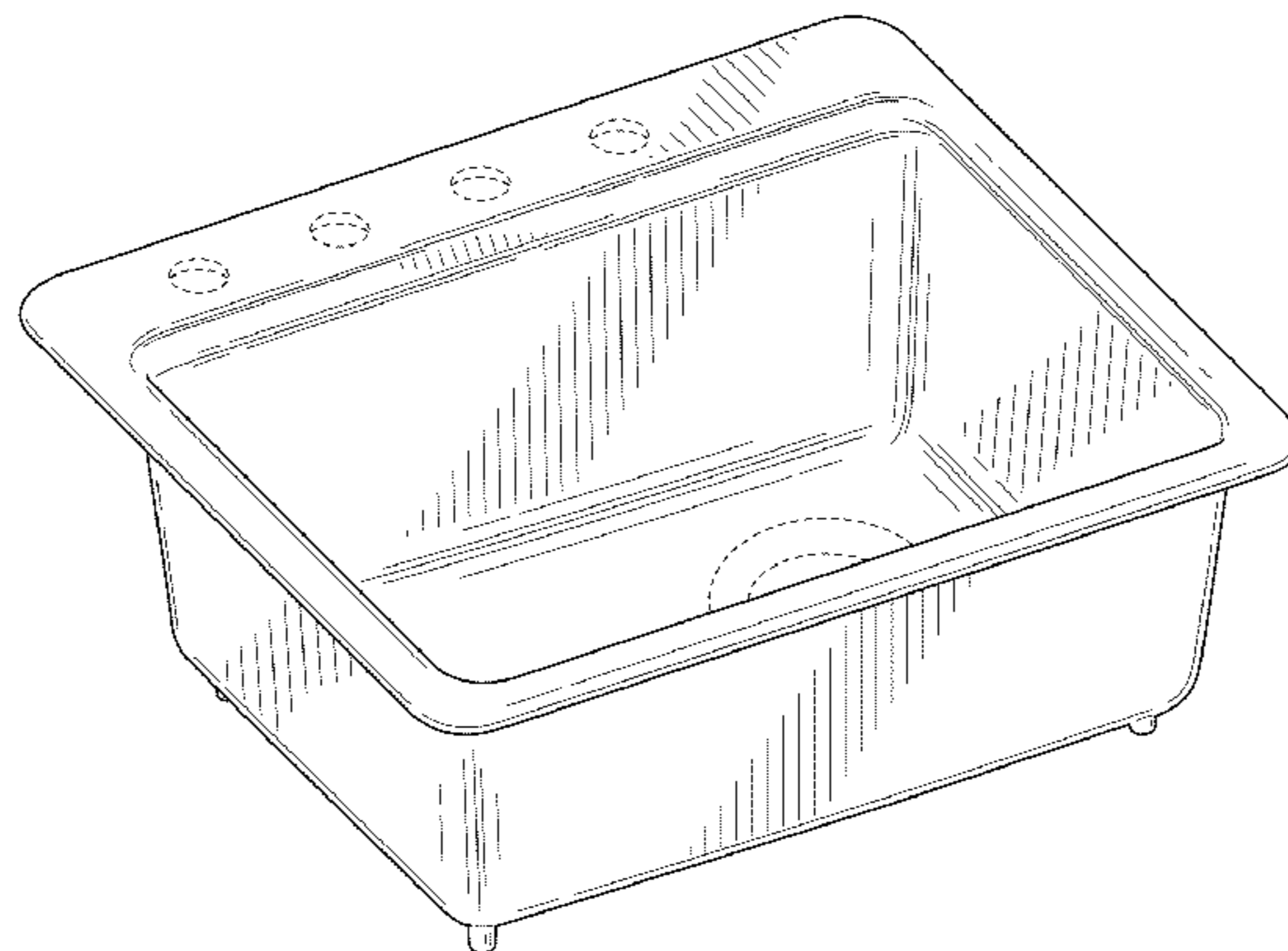
FIG. 25 is a rear elevation view of the claimed design of FIG. 19;

FIG. 26 is a cross-sectional view of FIG. 24; and,

FIG. 27 is a cross-sectional view of FIG. 23.

The ornamental design which is claimed is shown in solid lines in the drawings. The broken lines in the drawings are for illustrative purposes only and form no part of the claimed design.

**1 Claim, 18 Drawing Sheets**



# US D682,998 S

Page 2

## U.S. PATENT DOCUMENTS

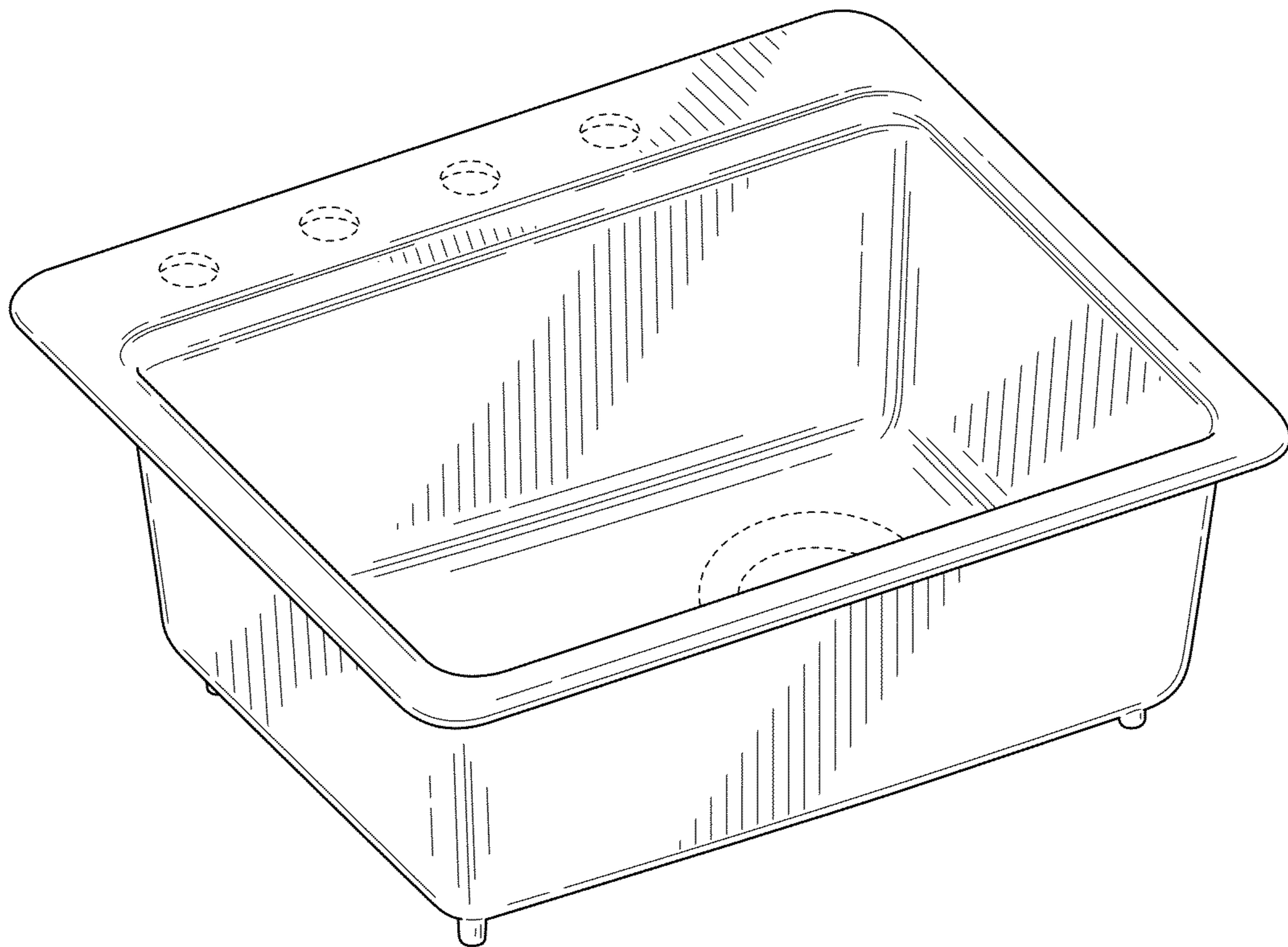
D380,529 S \* 7/1997 Laughton ..... D23/287  
D382,332 S 8/1997 Schwartz  
D482,764 S 11/2003 Genslak et al.  
D494,664 S \* 8/2004 Arnold ..... D23/293.1  
D539,877 S \* 4/2007 Roberts ..... D23/293.1  
D549,806 S \* 8/2007 Taylor ..... D23/284  
D602,132 S \* 10/2009 Mahon ..... D23/284  
D603,025 S \* 10/2009 Mahon ..... D23/284  
D641,455 S \* 7/2011 Euse ..... D23/284  
D647,605 S \* 10/2011 Booth ..... D23/293.1  
D656,228 S \* 3/2012 Booth ..... D23/293.1  
D657,028 S \* 4/2012 Eilmus ..... D23/284  
D663,394 S \* 7/2012 Eilmus ..... D23/308

## OTHER PUBLICATIONS

Blanco, Design for 44019 Blanco BlancoDiamond Single Basin  
Kitchen Sink, retrieved Online at: <http://fixtureuniverse.com/Single->

Basin/Blanco--BlancoDiamond-Single-Basin-Sink\_1764741.html,  
Sep. 29, 2010, 1 page.  
CornerStone, Inc., Design for Cornerstone Model 15 Coventry  
Advantage 3.2 Series Sink, Retrieved Nov. 4, 2010, 2 pages.  
Kohler, Inc., Product Specification for 8 Degree, Undercounter Sink  
(Model K-3673), Sep. 29, 2010, 2 pages.  
Kohler, Inc., Product Specification for Bakersfield Undercounter  
Kitchen Sink (Model K-5832-5U), Sep. 29, 2010, 1 page.  
Polar Stainless Products, Inc., Designs for Stainless Steel Sinks,  
Model Nos. 482-4, 222-4, 432-4, 240-4, 320-4, 319-1, Sep. 29, 2010,  
1 page.  
Office Action for U.S. Appl. No. 29/387,847, dated Oct. 17, 2011, 8  
pages.

\* cited by examiner



**FIG. 1**

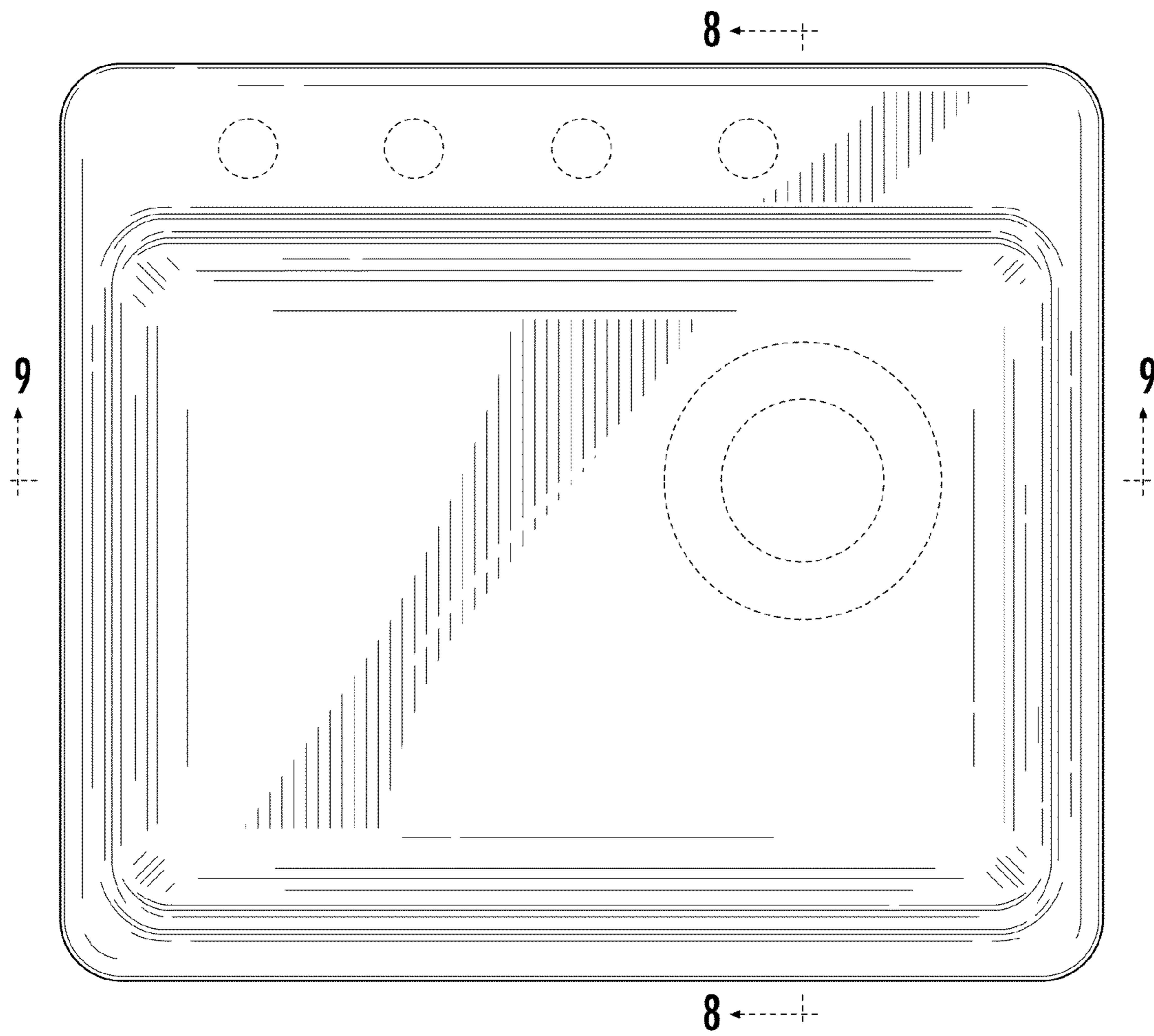
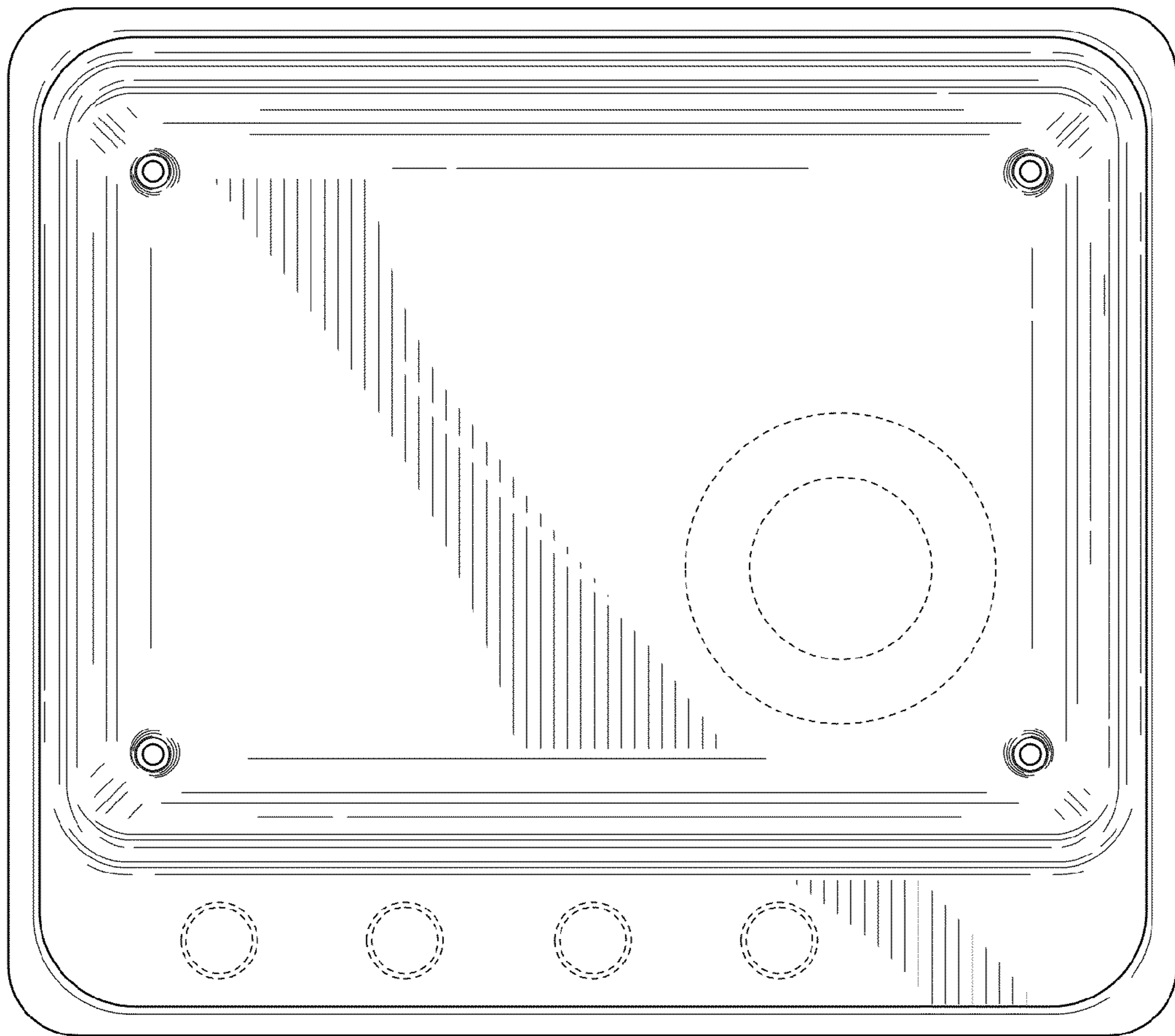
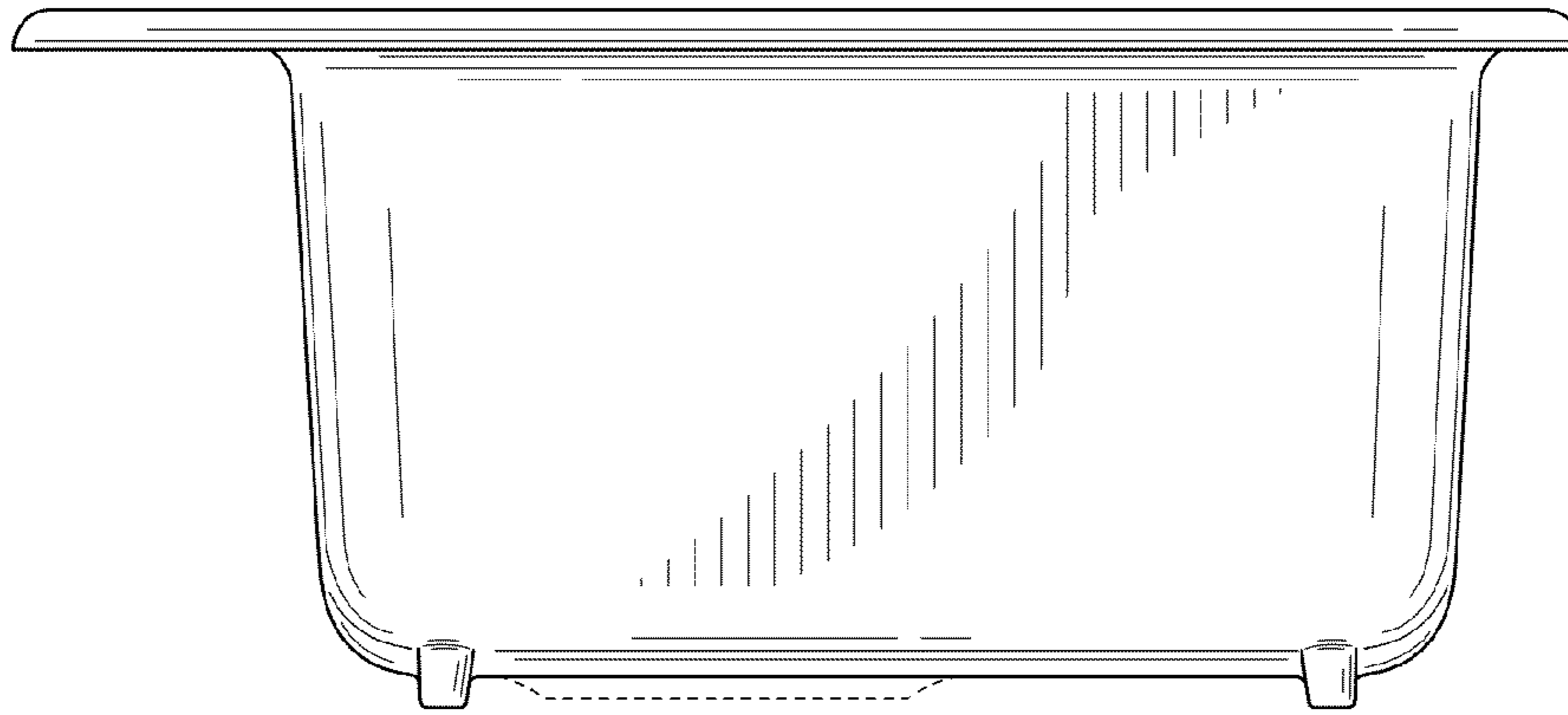


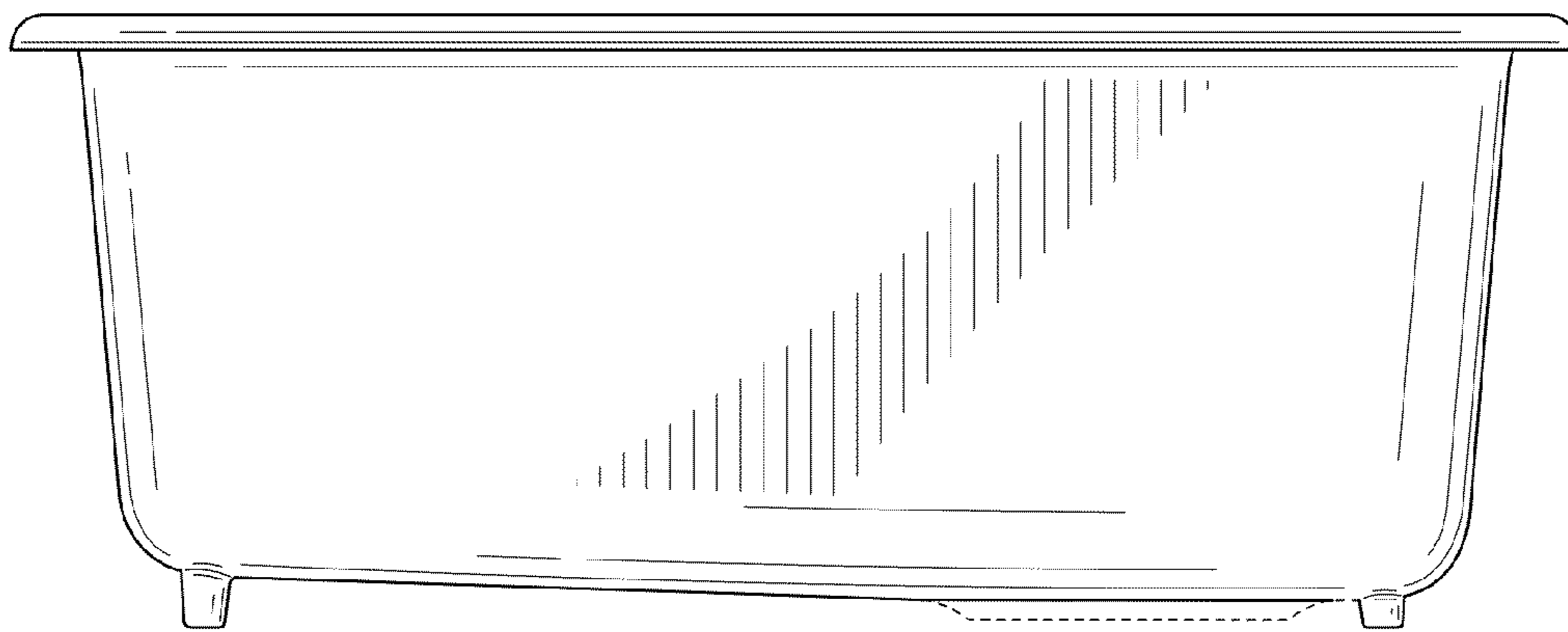
FIG. 2



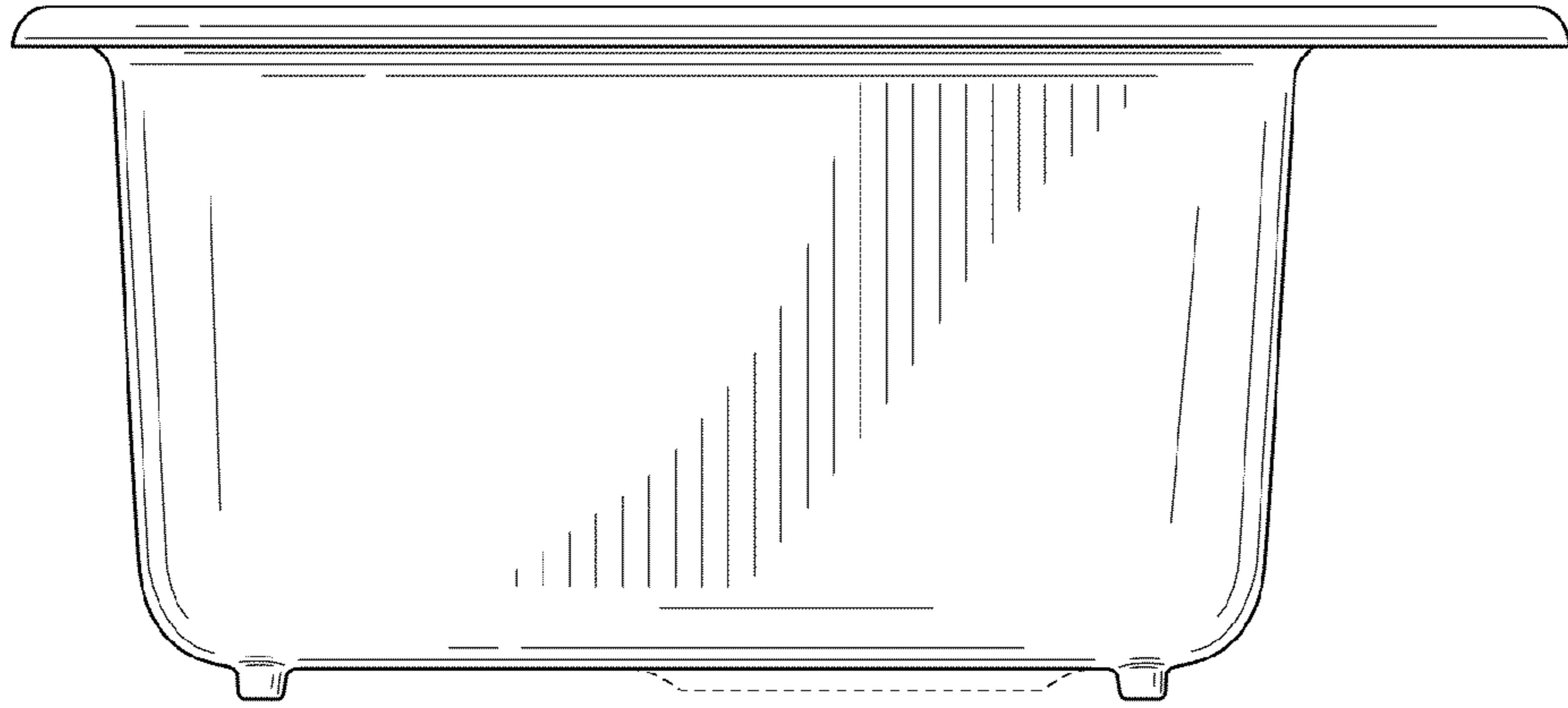
**FIG. 3**



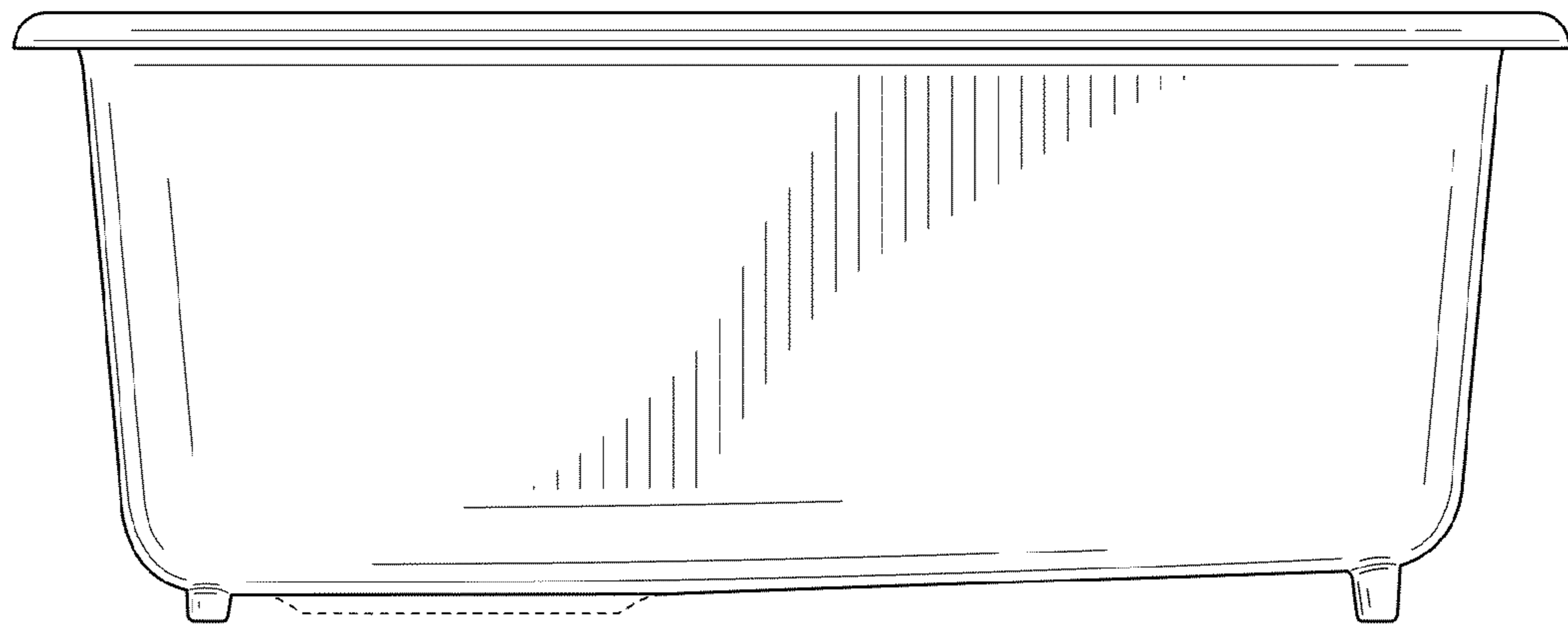
**FIG. 4**



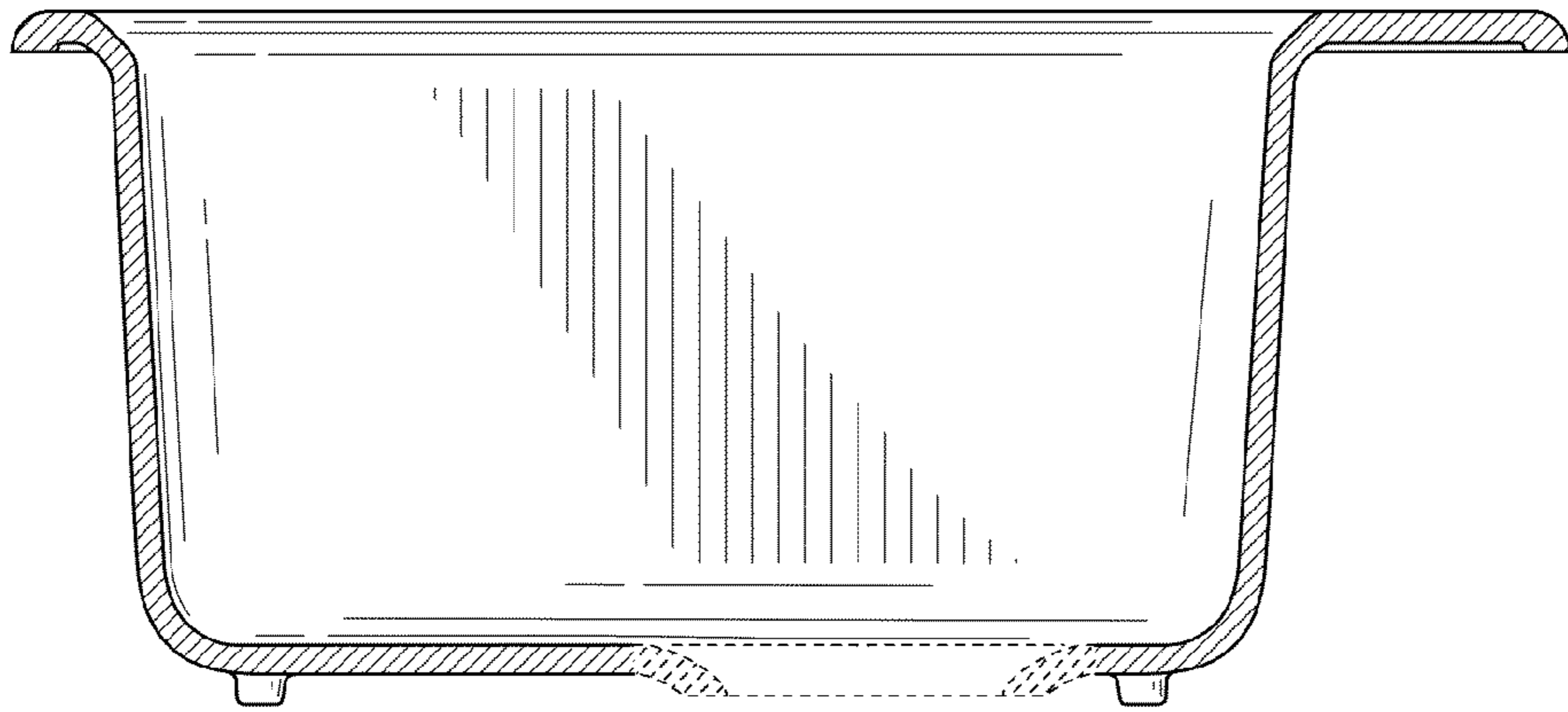
**FIG. 5**



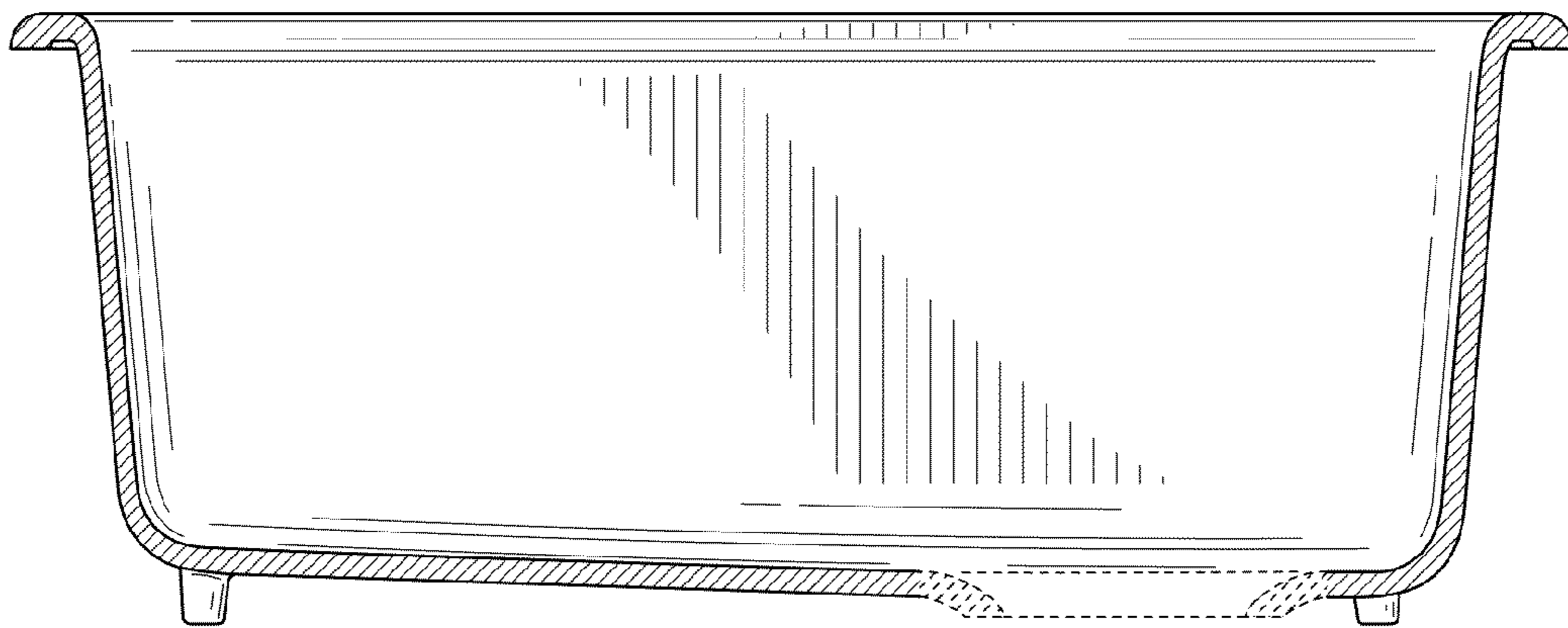
**FIG. 6**



**FIG. 7**

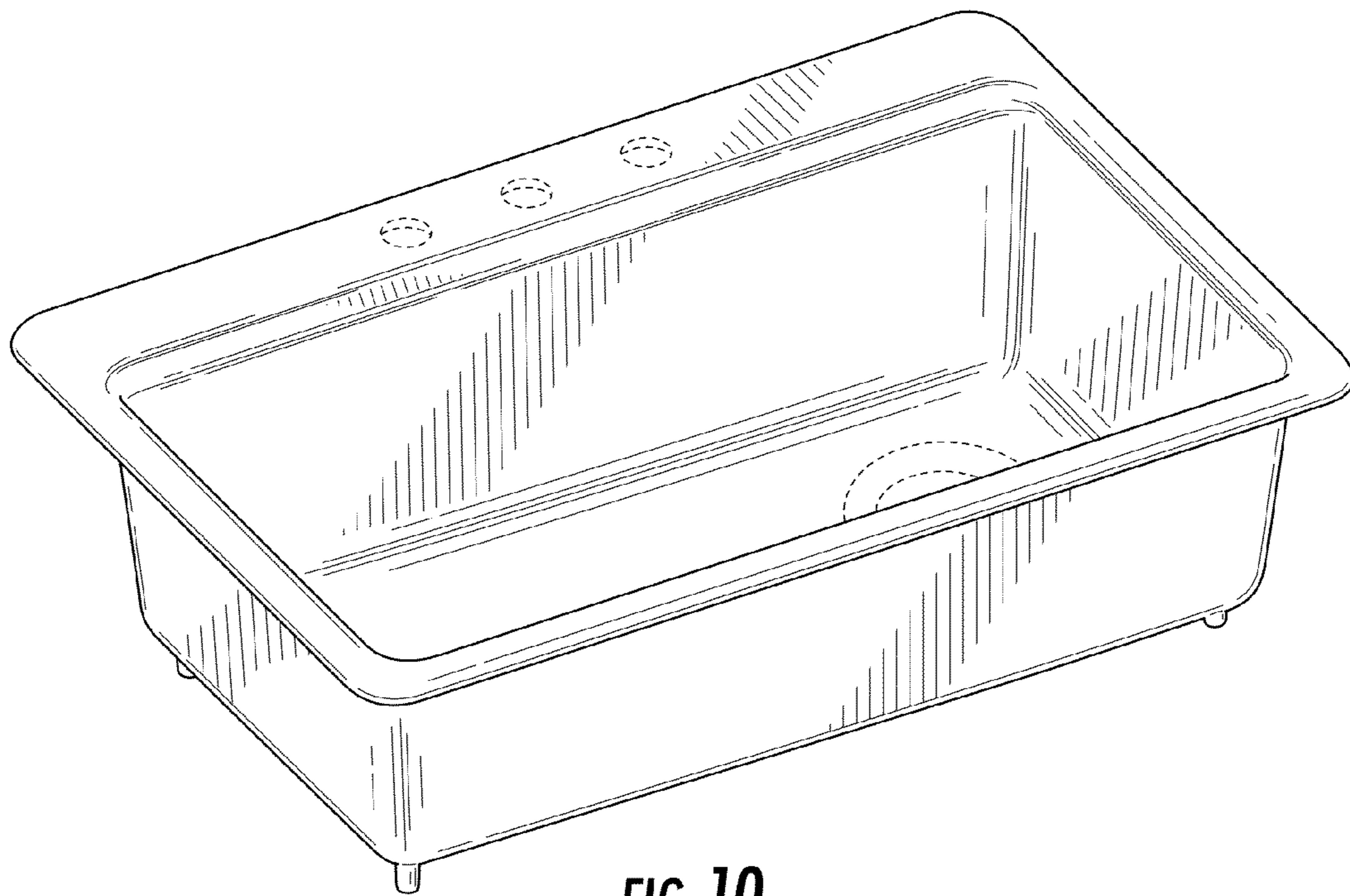


**FIG. 8**



**FIG. 9**





**FIG. 10**

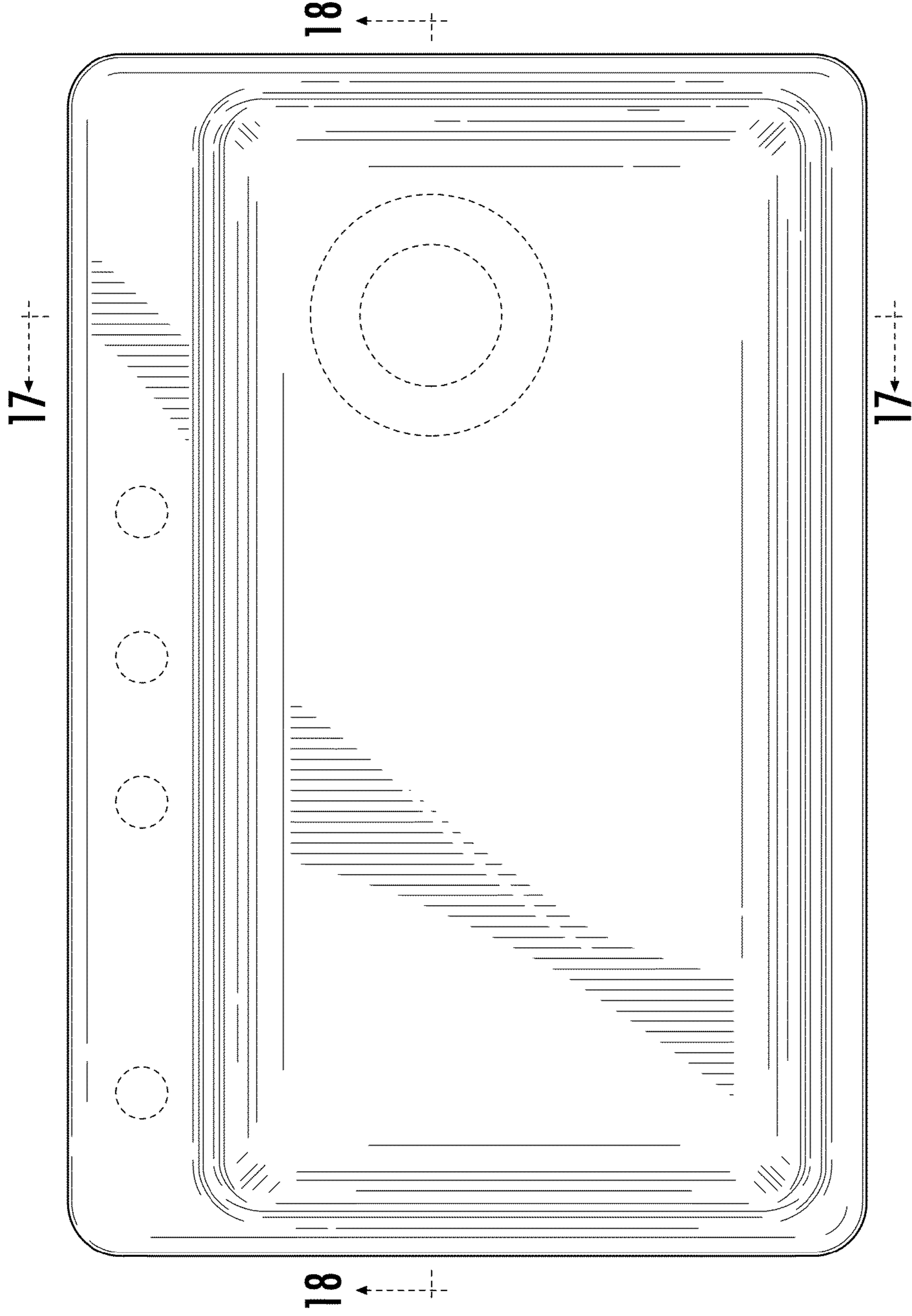
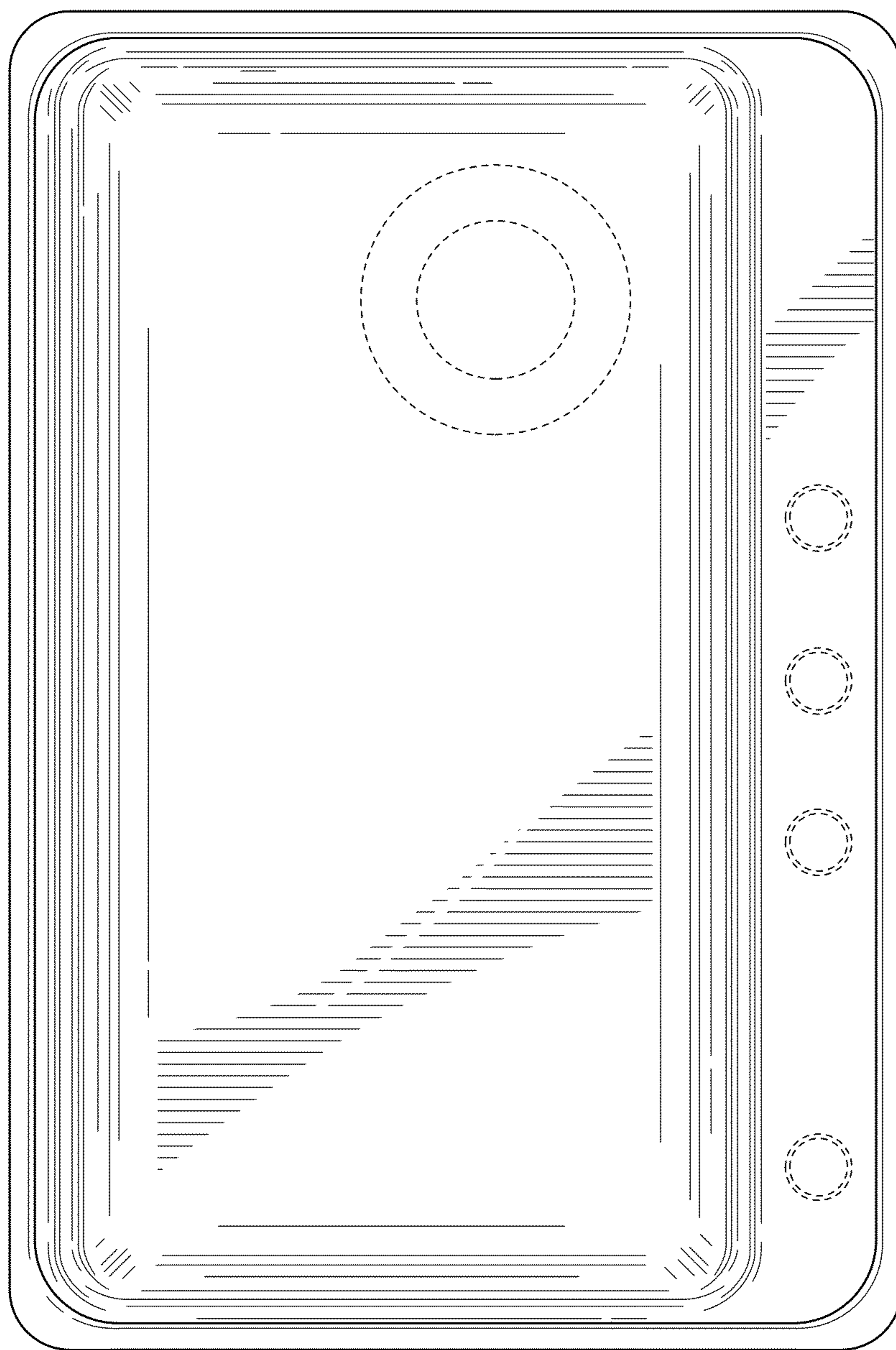
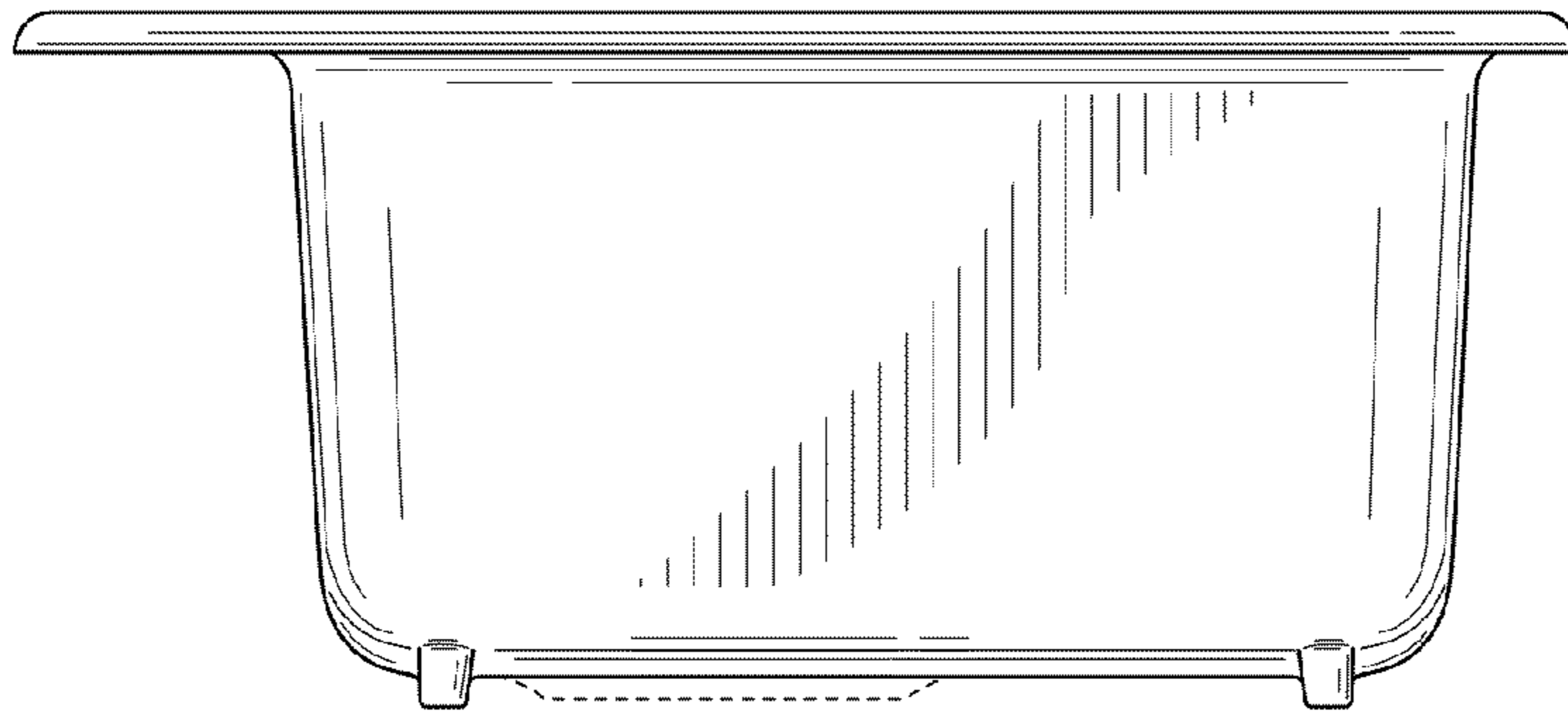


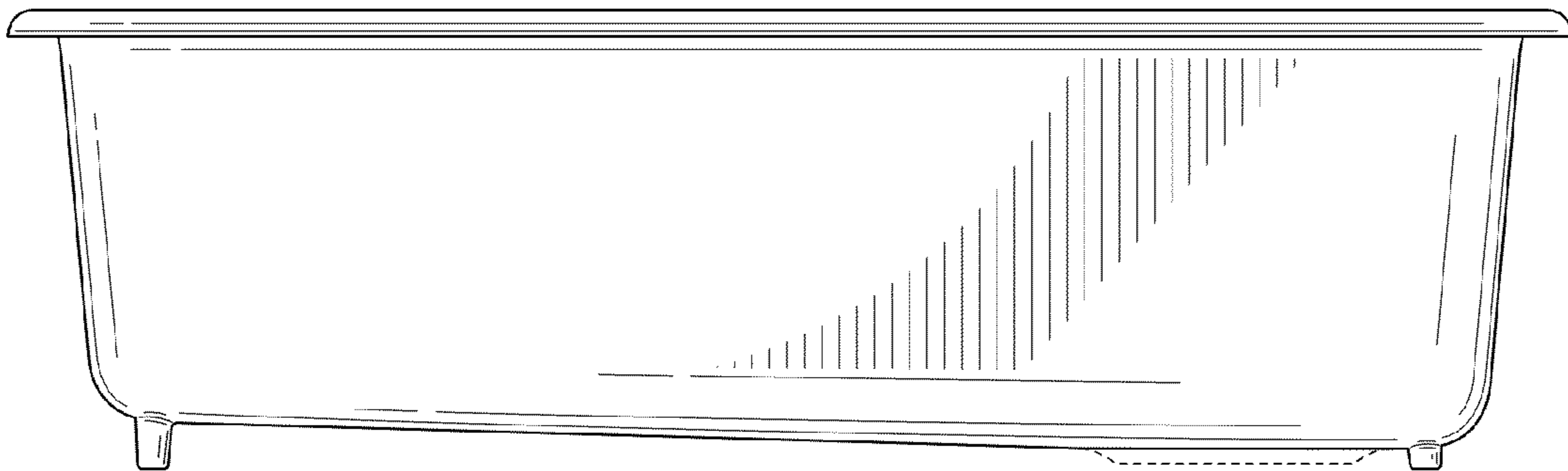
FIG. 11



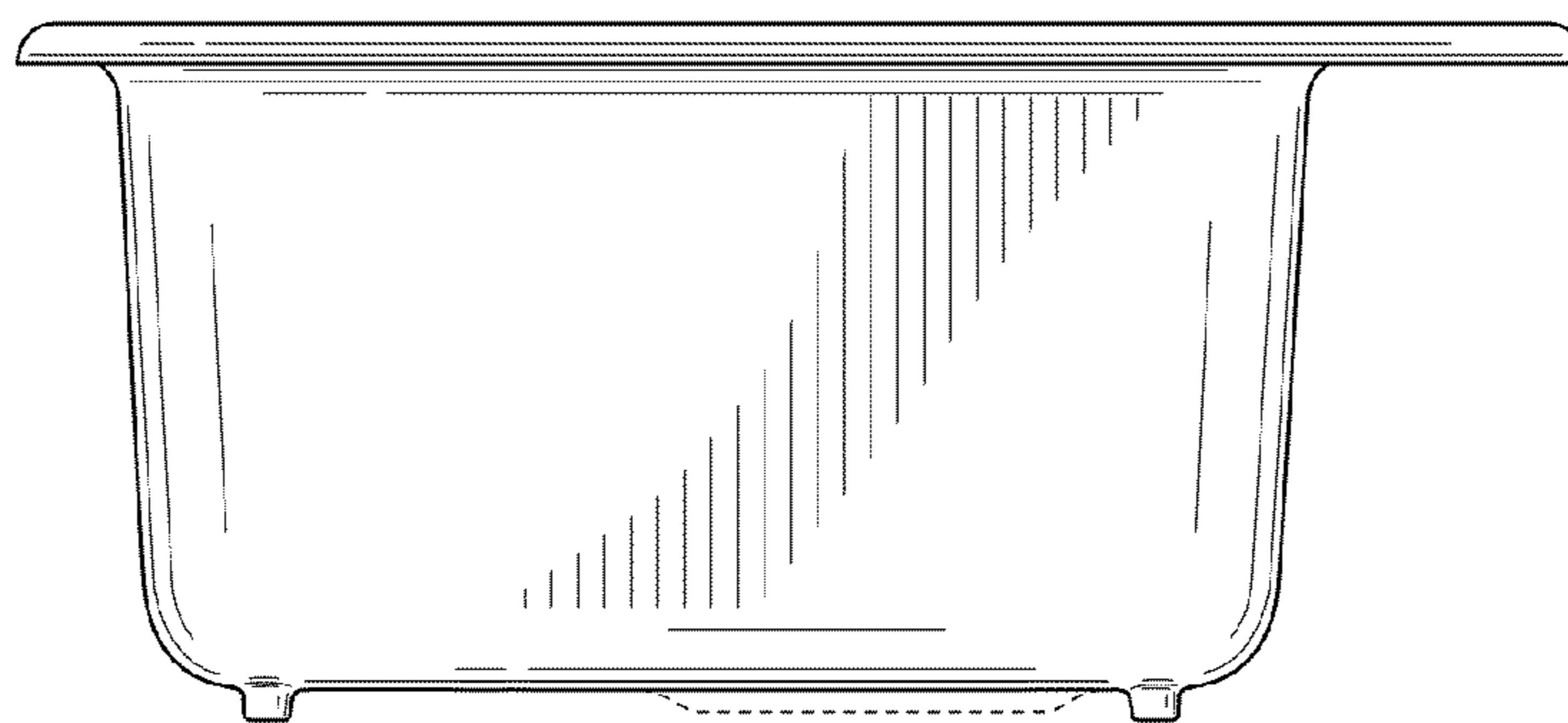
**FIG. 12**



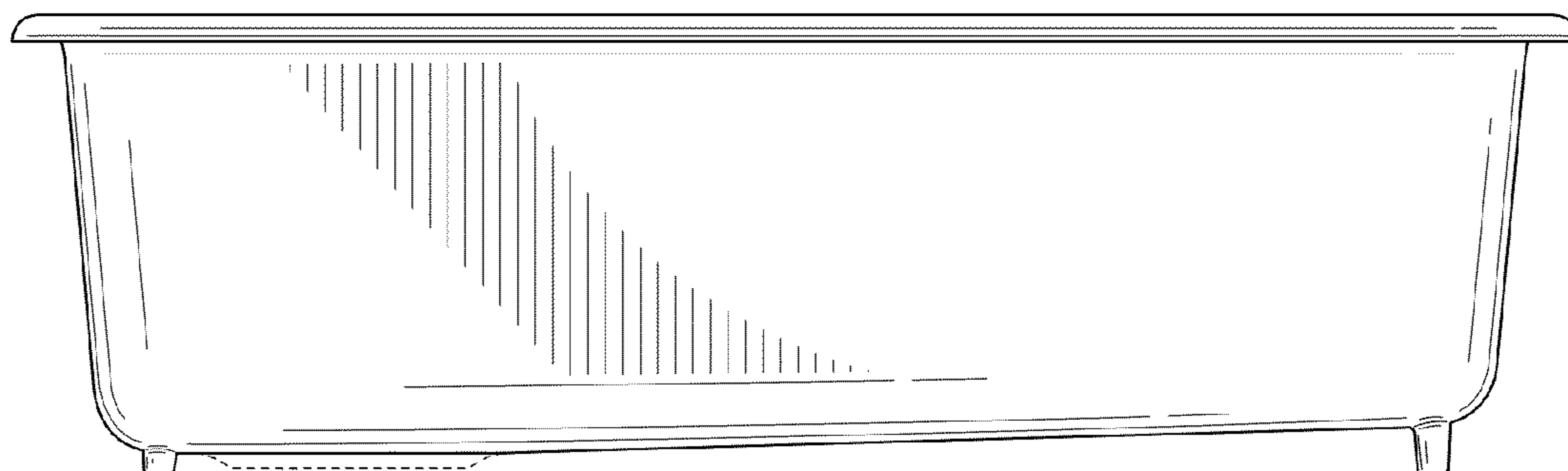
**FIG. 13**



**FIG. 14**



**FIG. 15**



**FIG. 16**

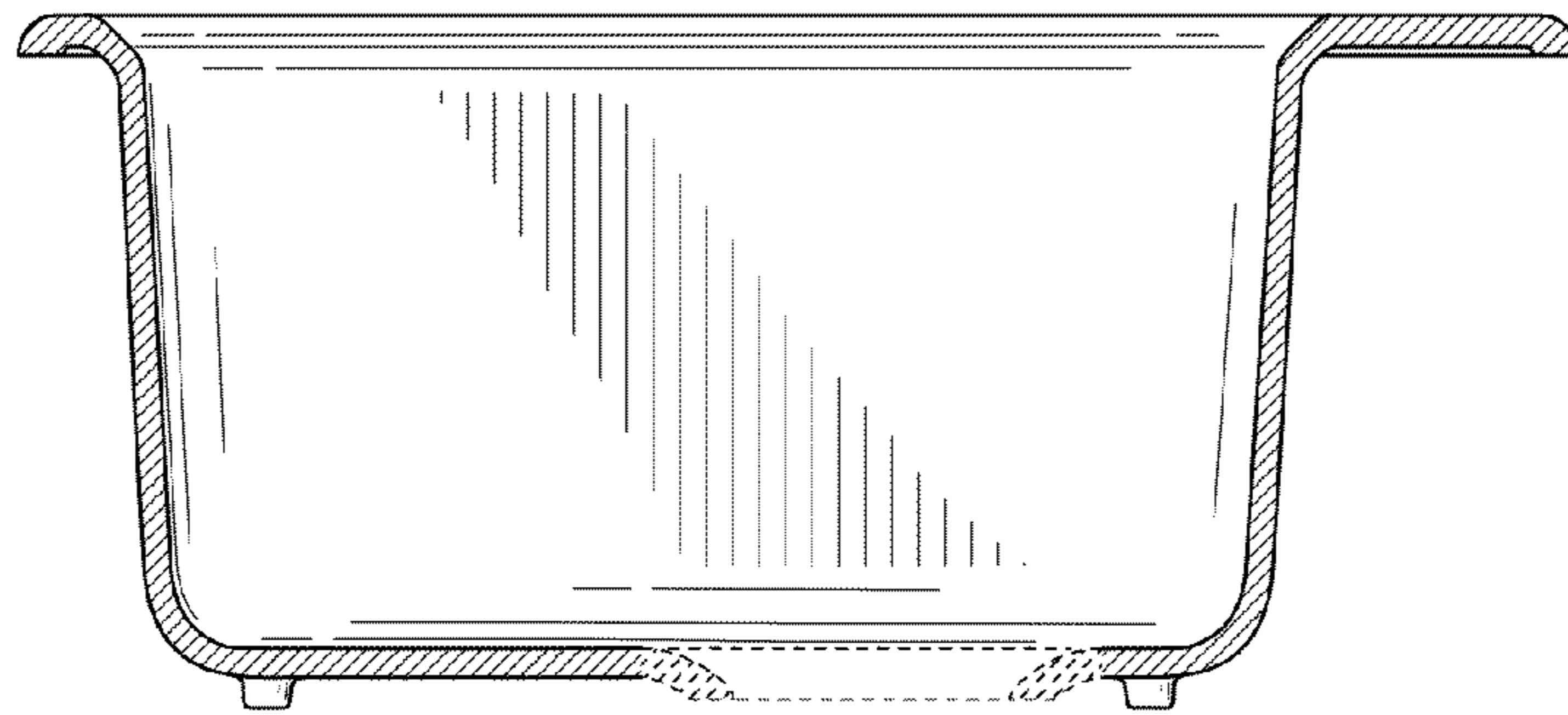


FIG. 17

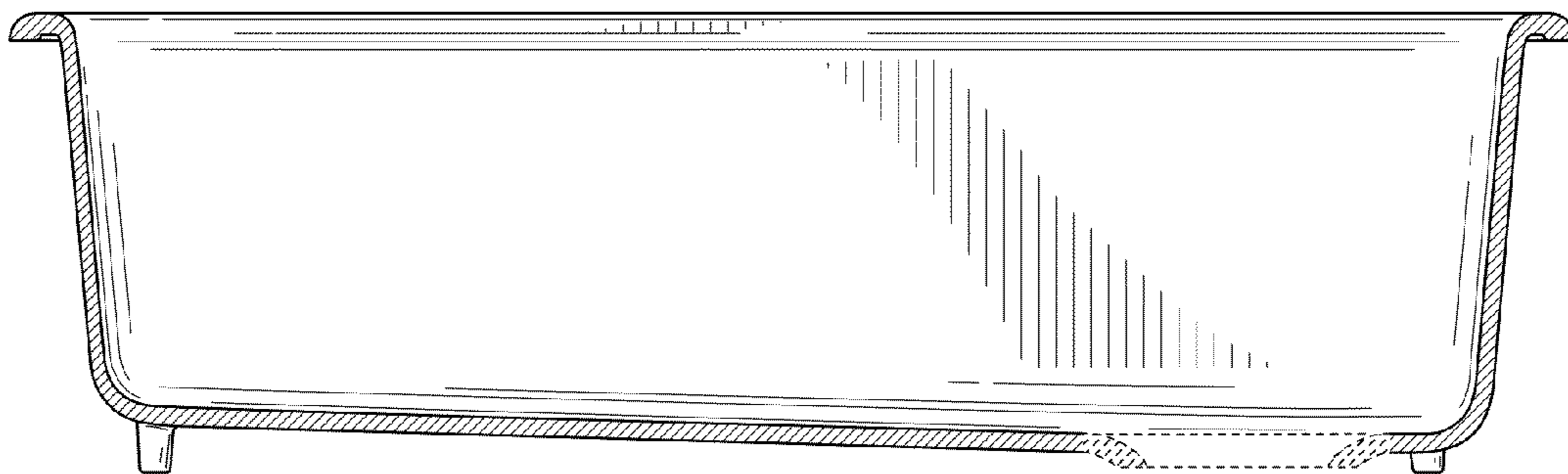
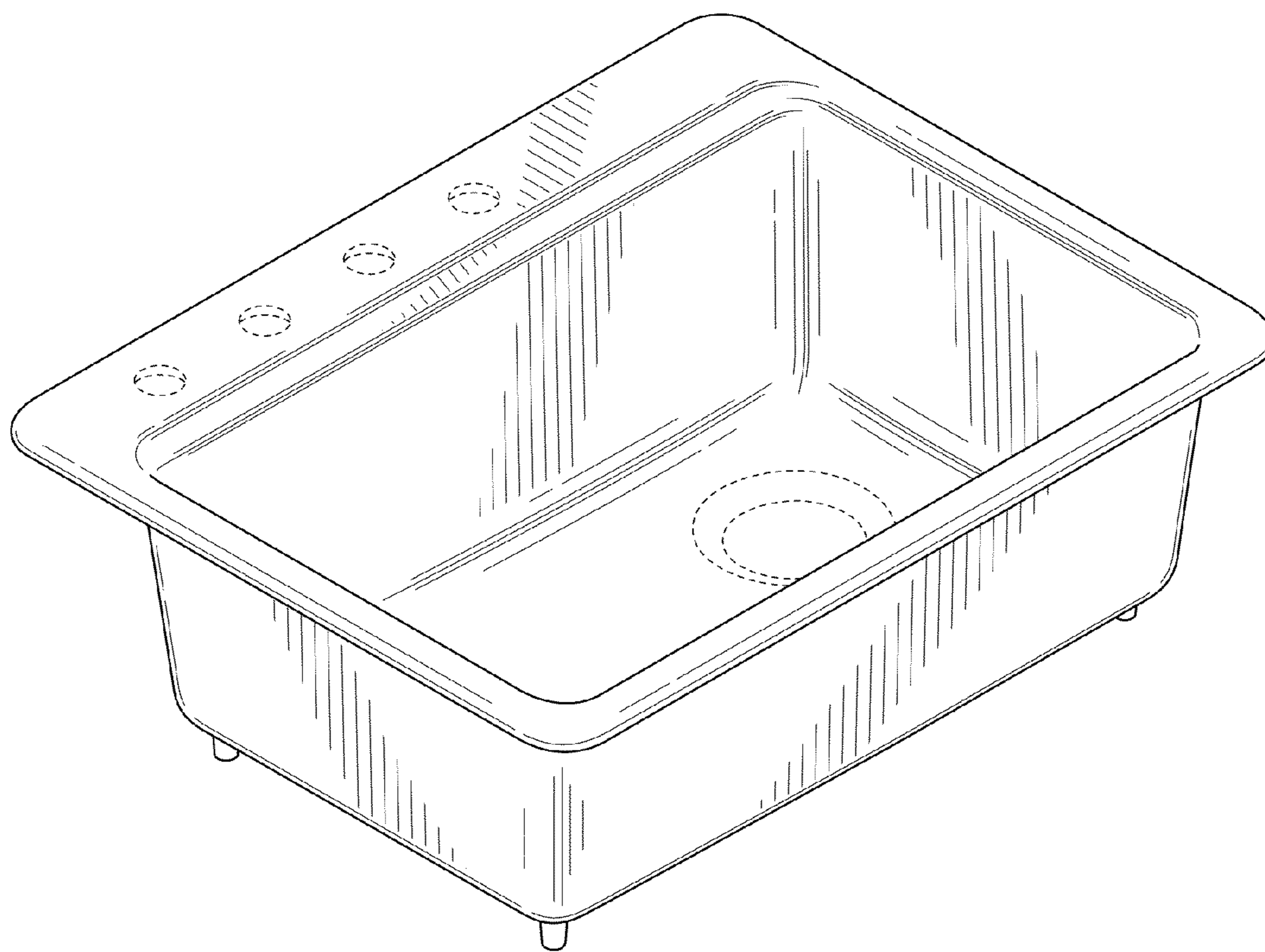


FIG. 18



**FIG. 19**

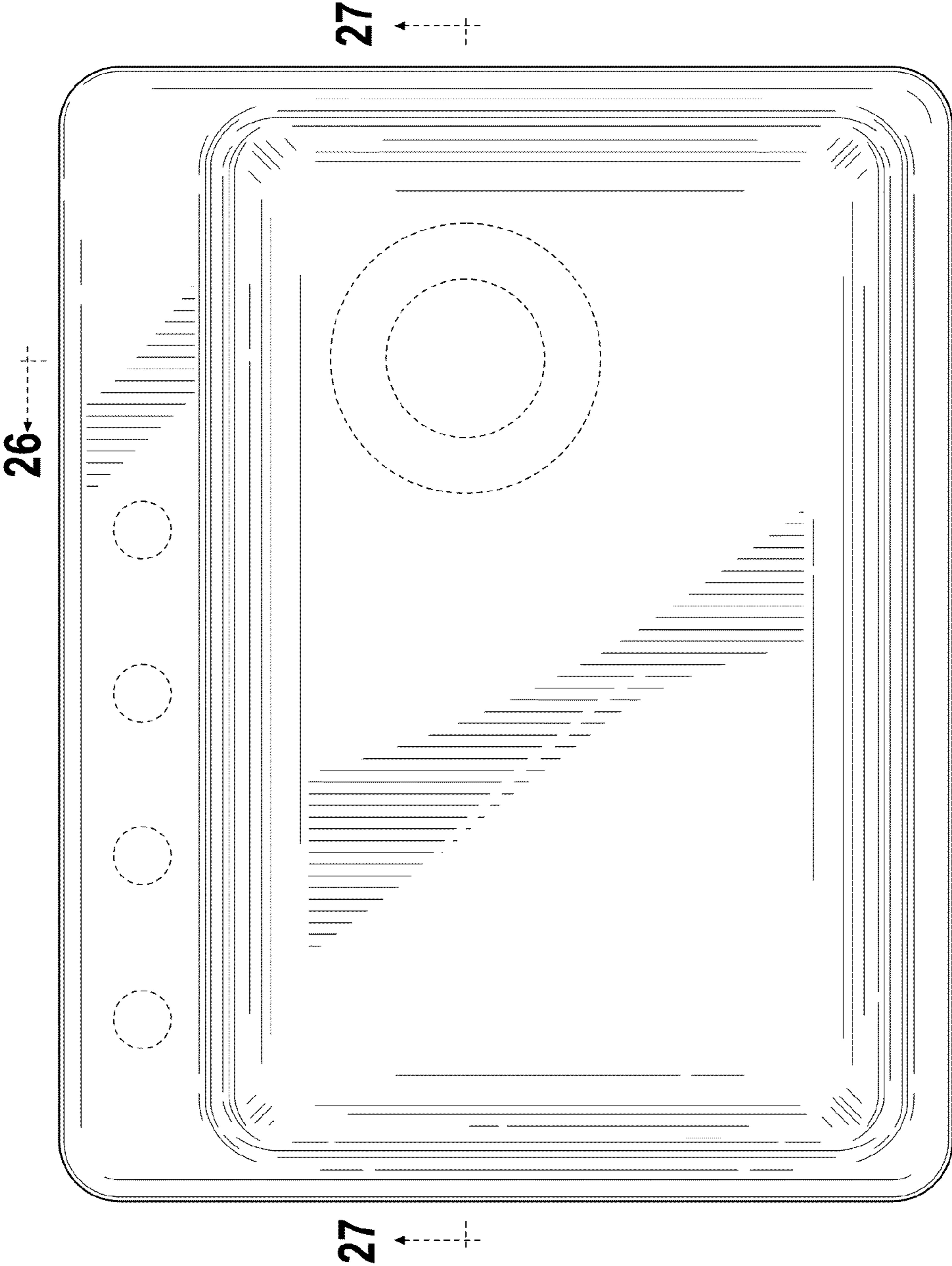
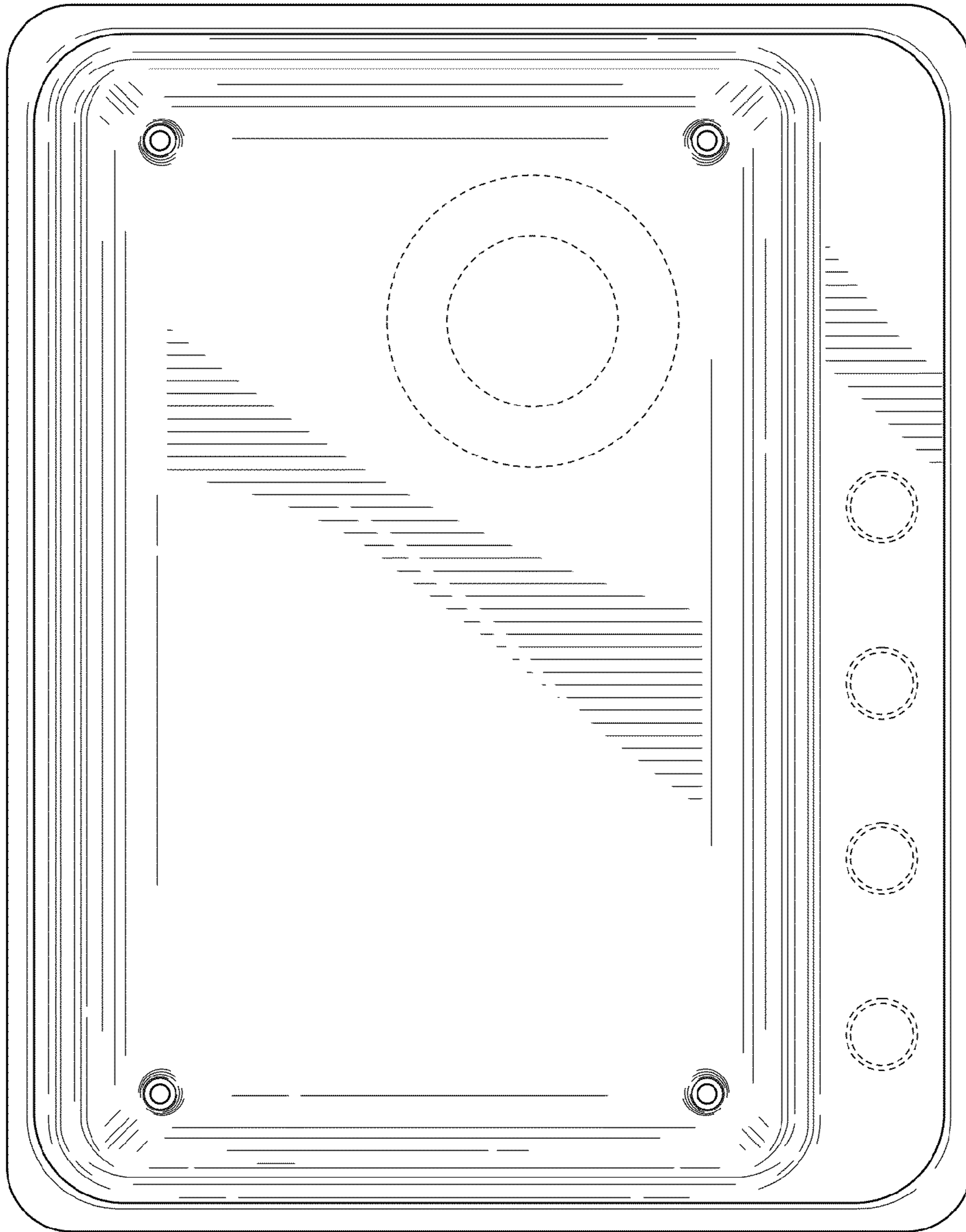
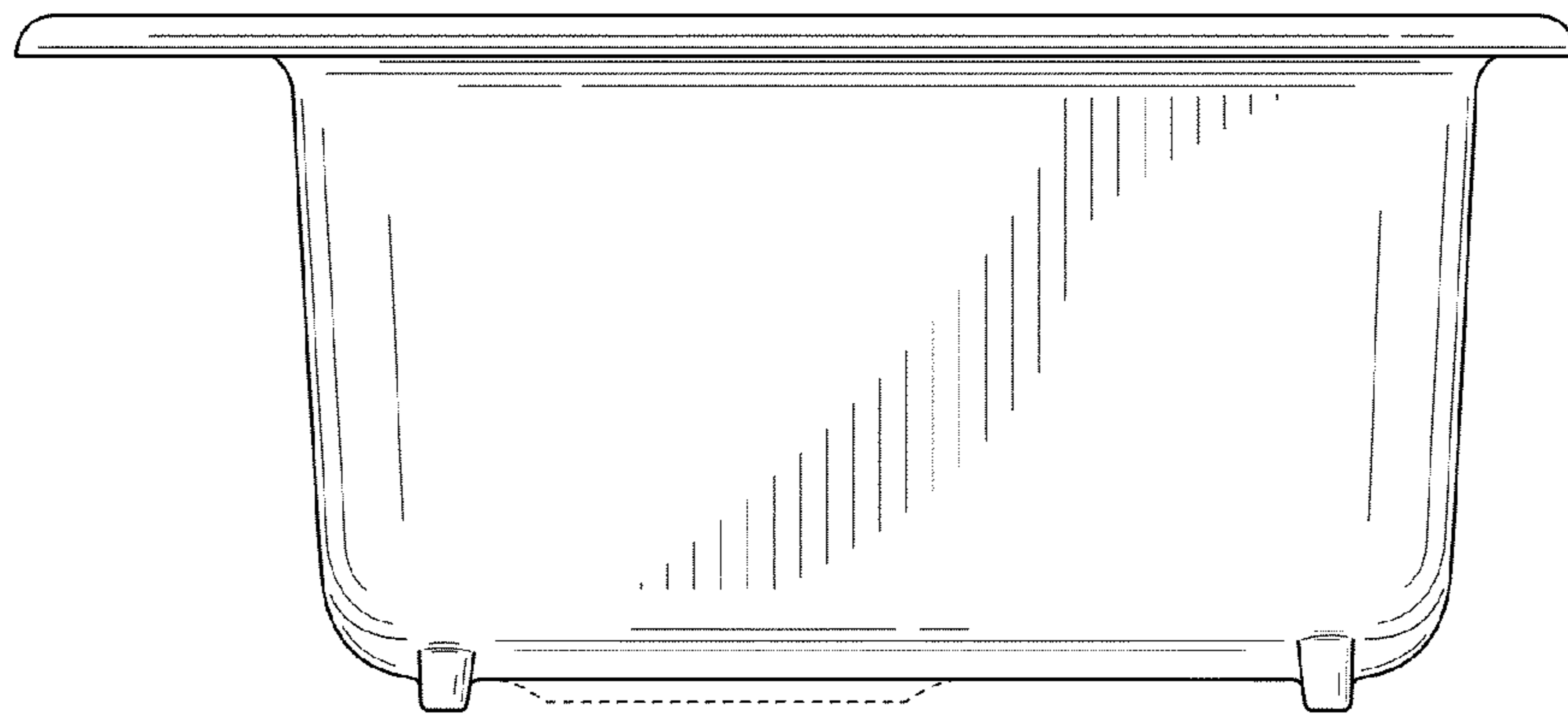


FIG. 20

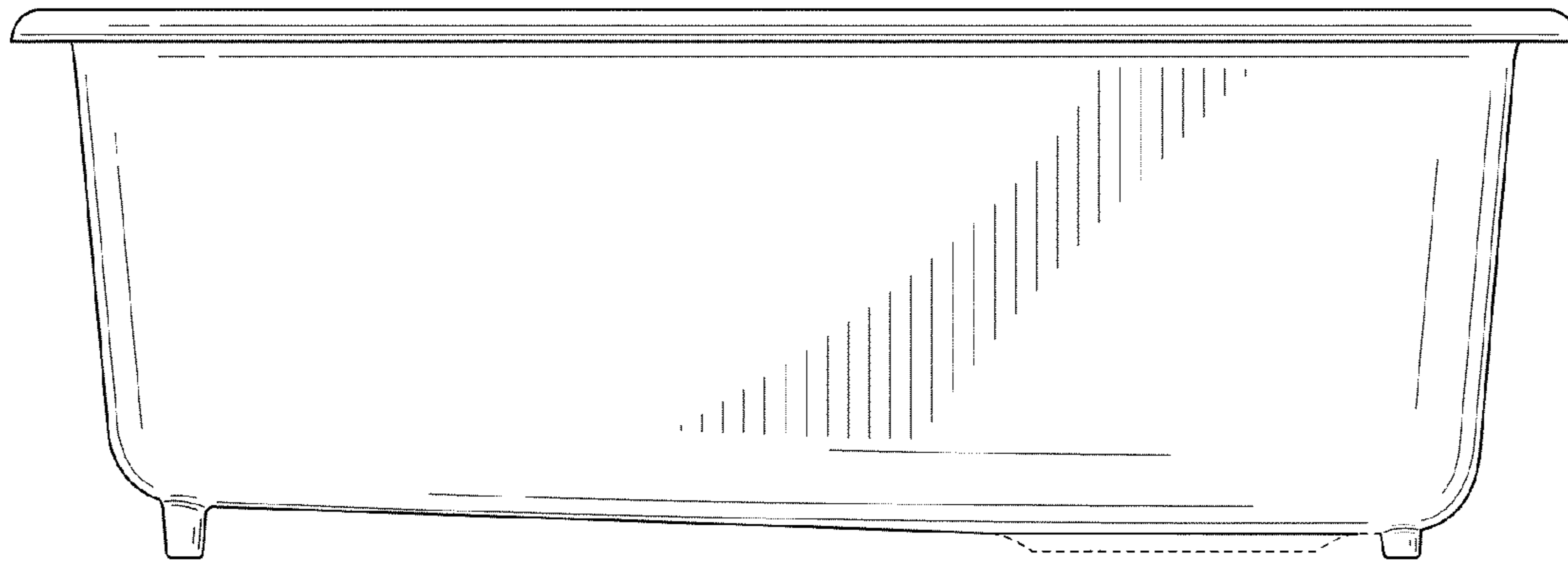




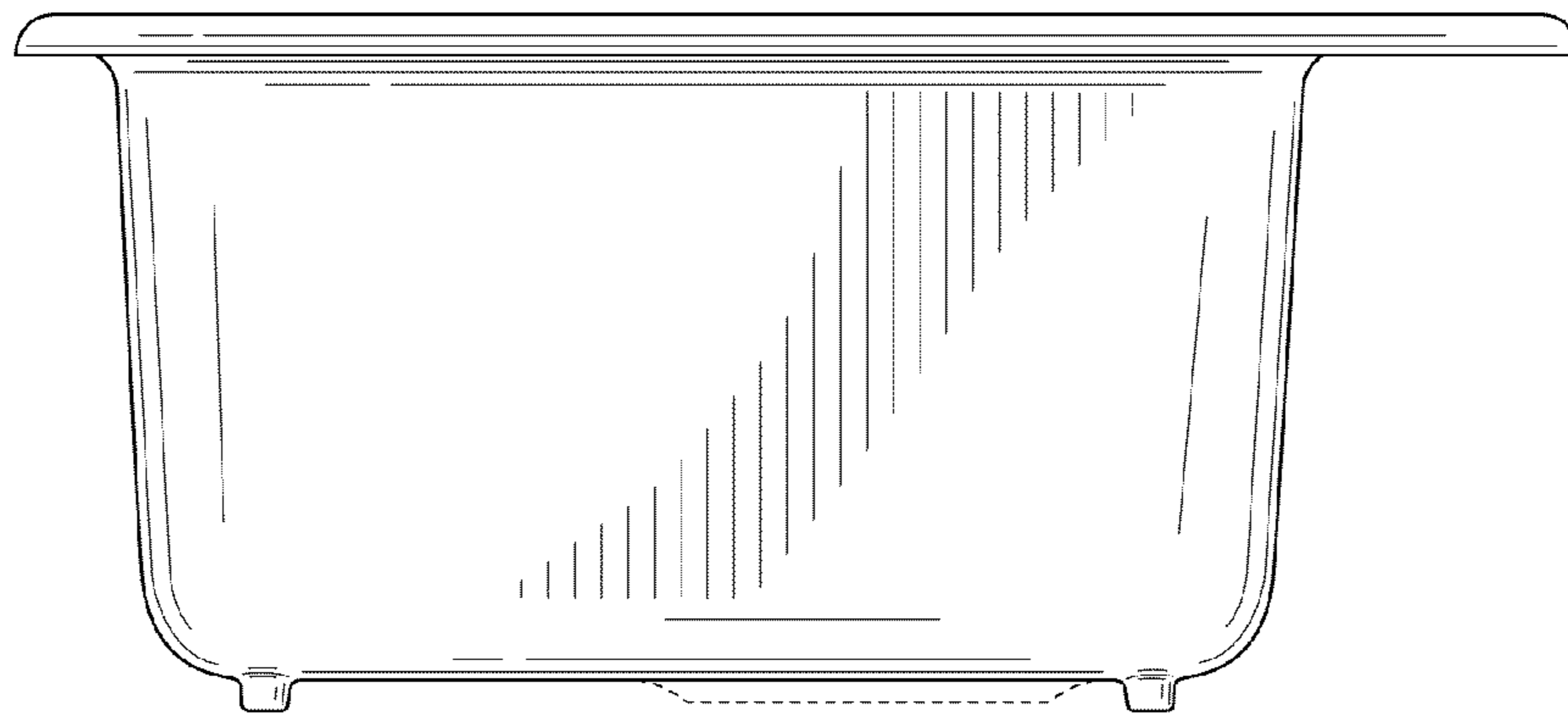
**FIG. 21**



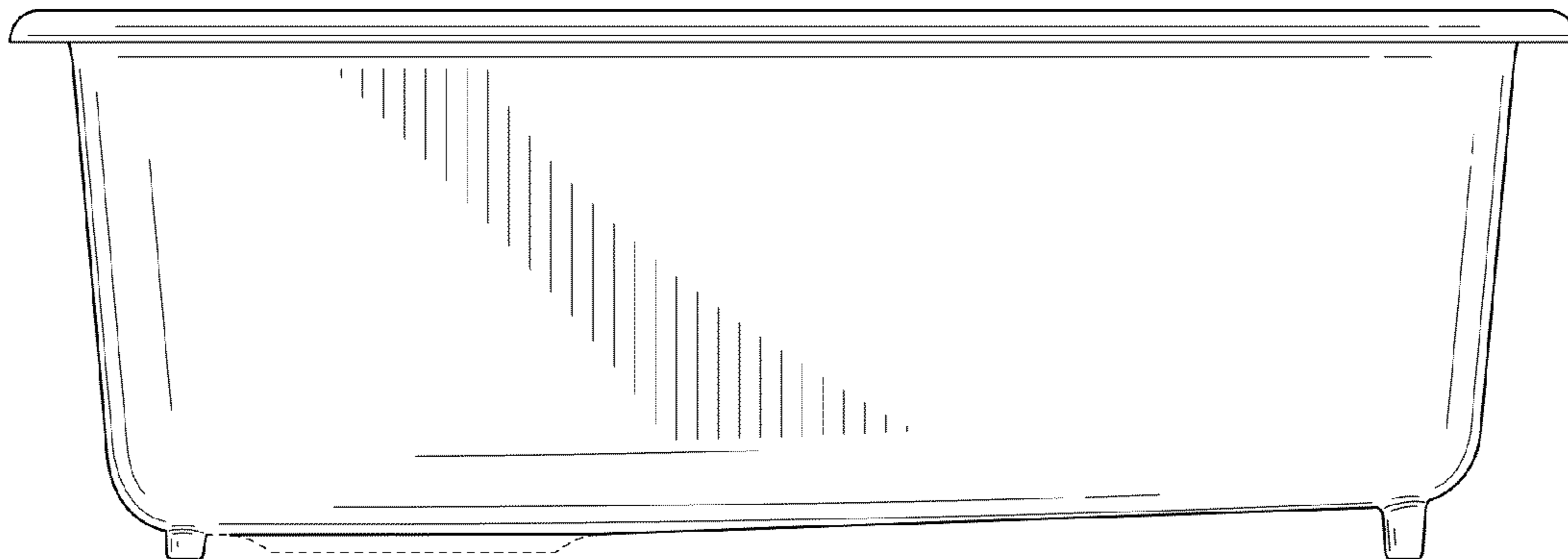
**FIG. 22**



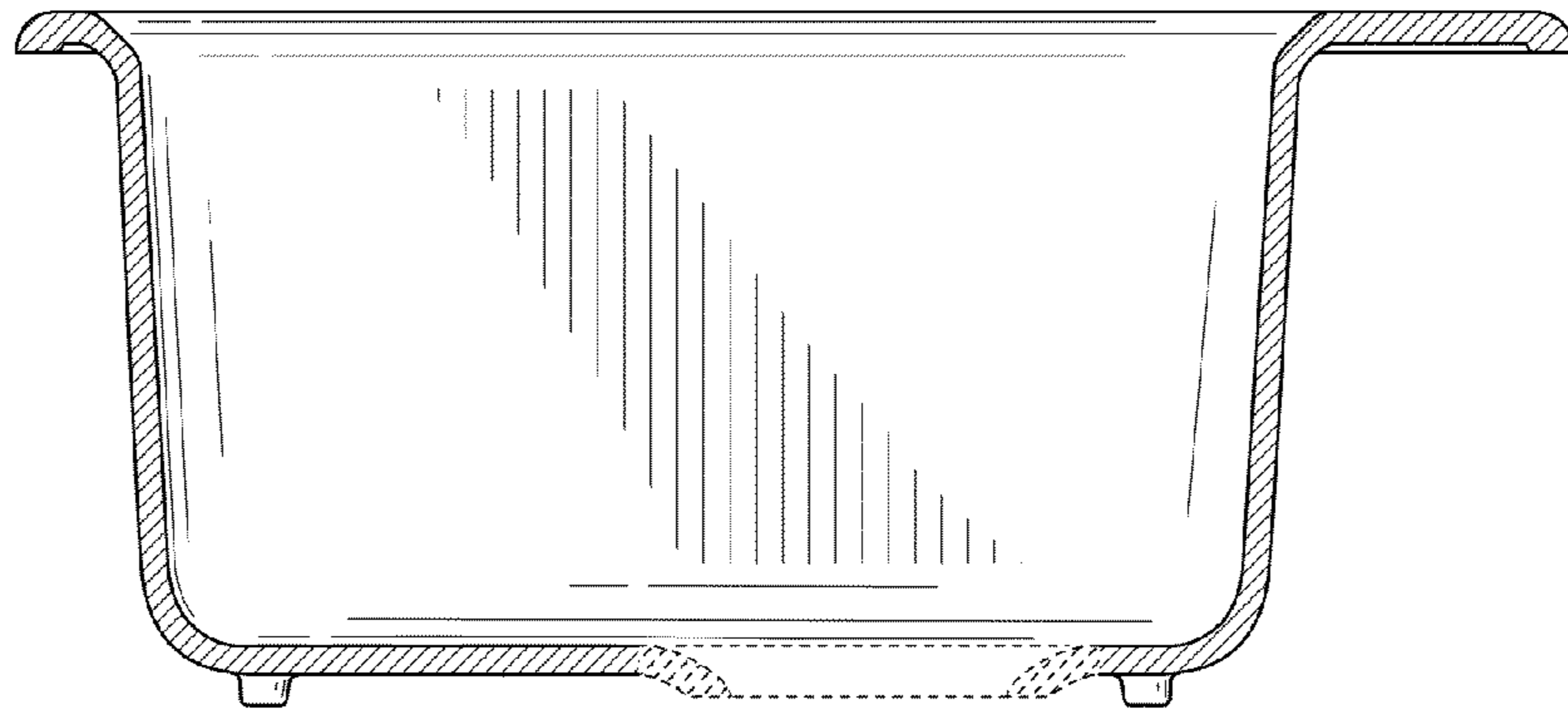
**FIG. 23**



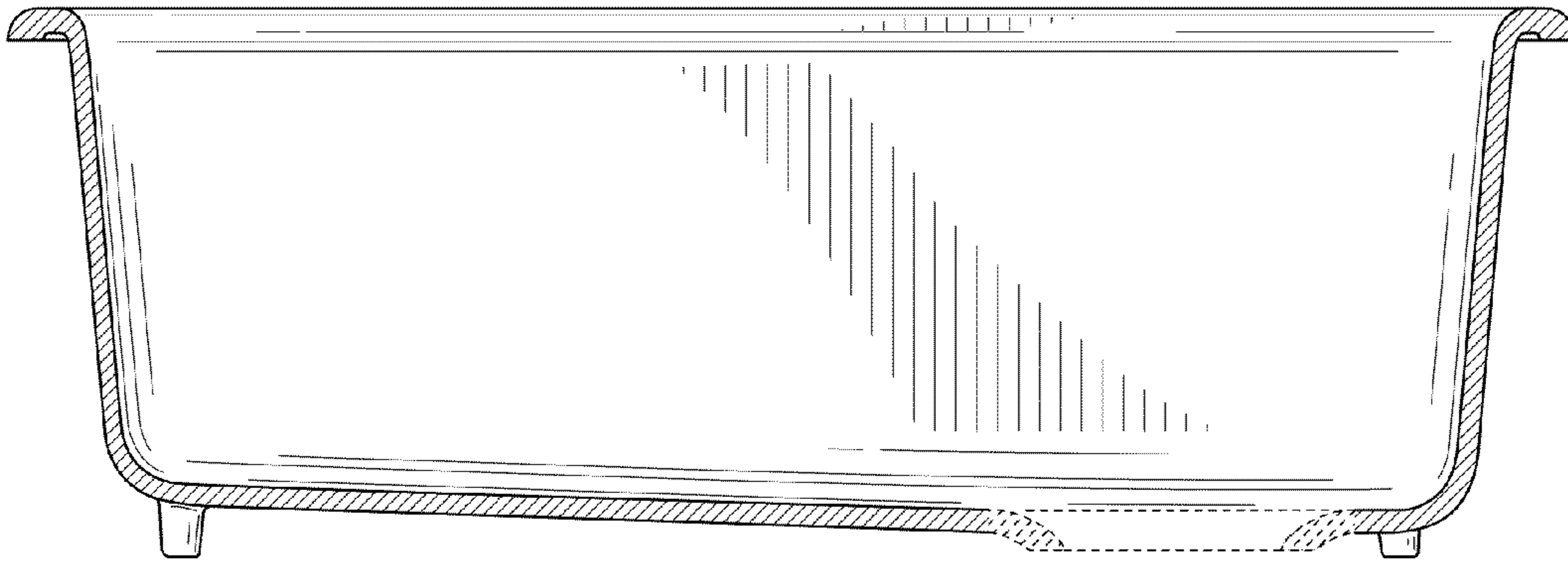
**FIG. 24**



**FIG. 25**



**FIG. 26**



**FIG. 27**