



US00D682993S

(12) **United States Design Patent**
Mendoza et al.

(10) **Patent No.:** **US D682,993 S**

(45) **Date of Patent:** **** May 21, 2013**

(54) **FAUCET AND HANDLE SET**

D566,814 S * 4/2008 Yang D23/241

(75) Inventors: **Lea Mari Mendoza**, Morrow, GA (US);
Steven Chen, Morrow, GA (US);
Mitsuya Obara, Morrow, GA (US)

* cited by examiner

Primary Examiner — Robert Delehanty

(74) *Attorney, Agent, or Firm* — Banner & Witcoff, Ltd.

(73) Assignee: **TOTO Ltd.** (JP)

(57) **CLAIM**

(**) Term: **14 Years**

The ornamental design for a faucet and handle set, as shown and described.

(21) Appl. No.: **29/415,228**

DESCRIPTION

(22) Filed: **Mar. 8, 2012**

(51) **LOC (9) Cl.** **23-01**

(52) **U.S. Cl.**
USPC **D23/242**

(58) **Field of Classification Search** D23/238–240,
D23/255, 257, 250, 252, 241–243; 4/675–678;
137/801

FIG. 1 is a perspective view of front, top and right side of a faucet and handle set according to our new design;

FIG. 2 is a front view thereof;

FIG. 3 is a rear view thereof;

FIG. 4 is a left side view thereof;

FIG. 5 is a right side view thereof;

FIG. 6 is a top view thereof; and,

FIG. 7 is a bottom view thereof.

See application file for complete search history.

The portions of the article in broken lines are shown for illustrative purposes only and form no part of the claimed design.

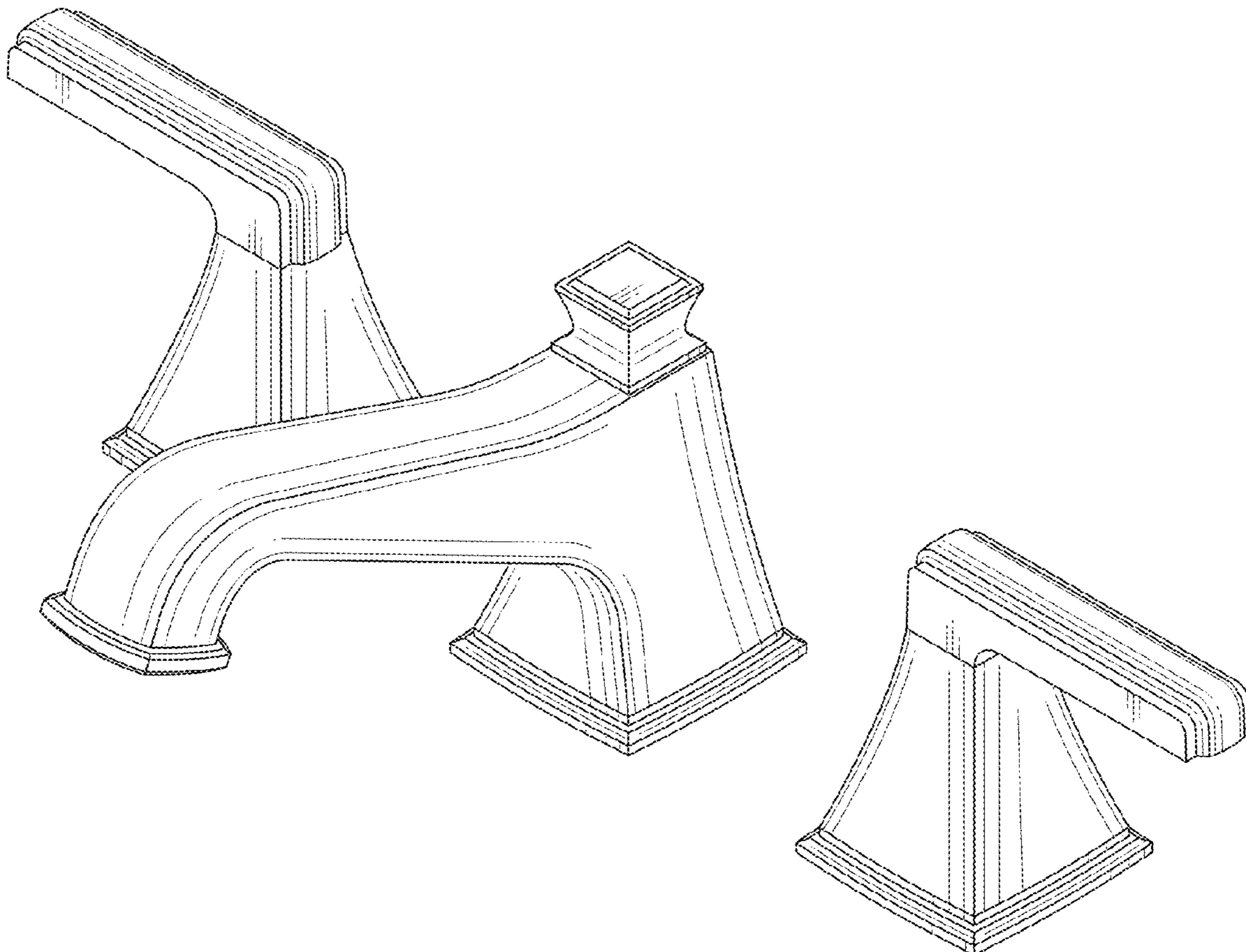
(56) **References Cited**

U.S. PATENT DOCUMENTS

D417,262 S * 11/1999 Caplow D23/255

D563,525 S * 3/2008 Zhu D23/242

1 Claim, 7 Drawing Sheets



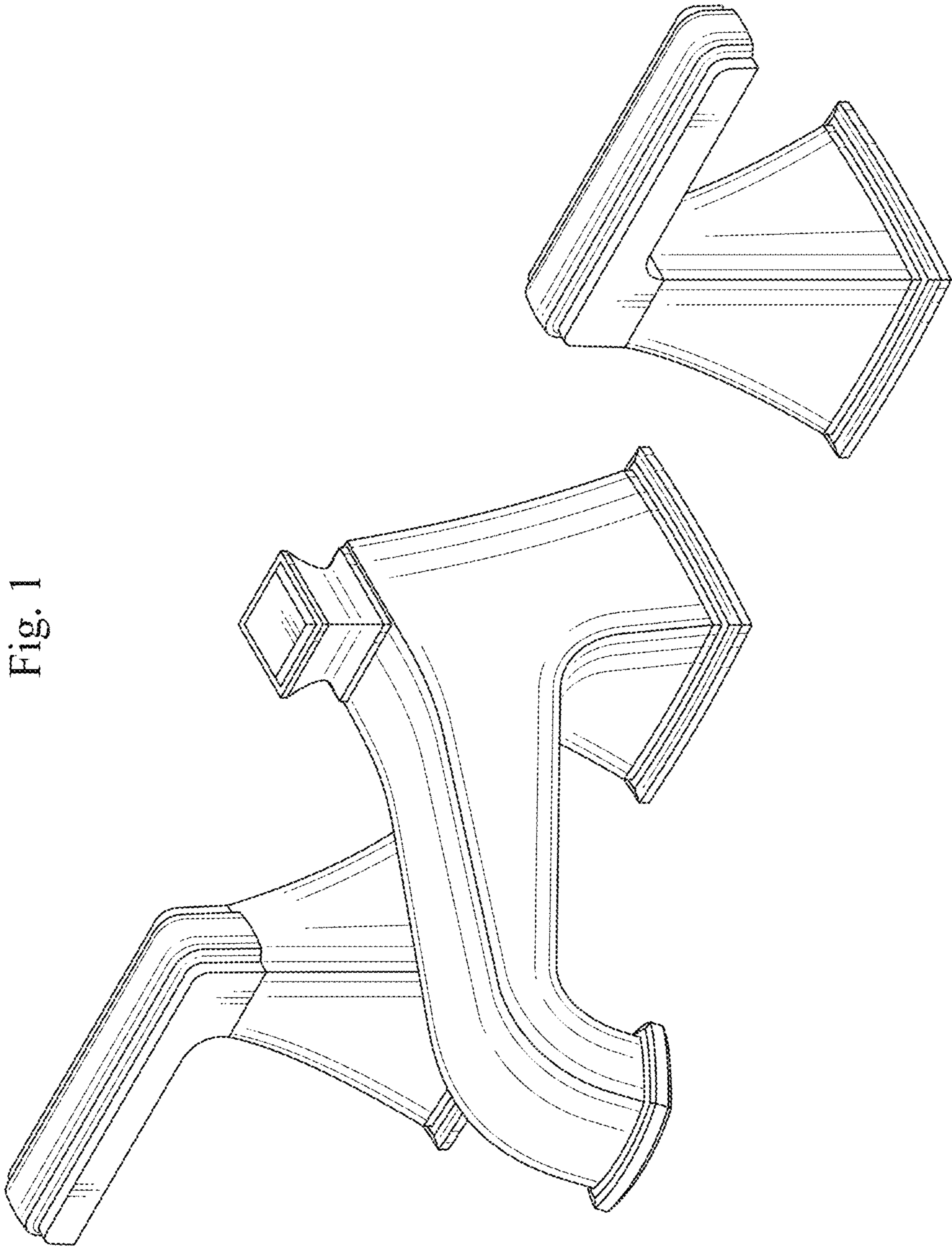


Fig. 1

Fig. 2

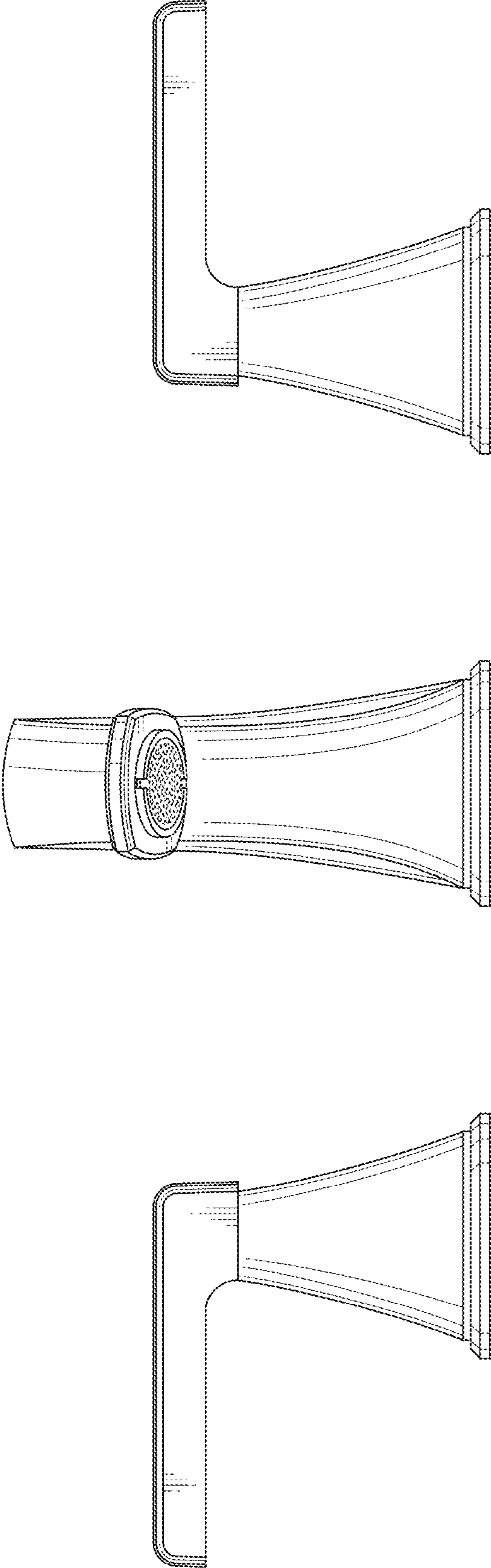


Fig. 3

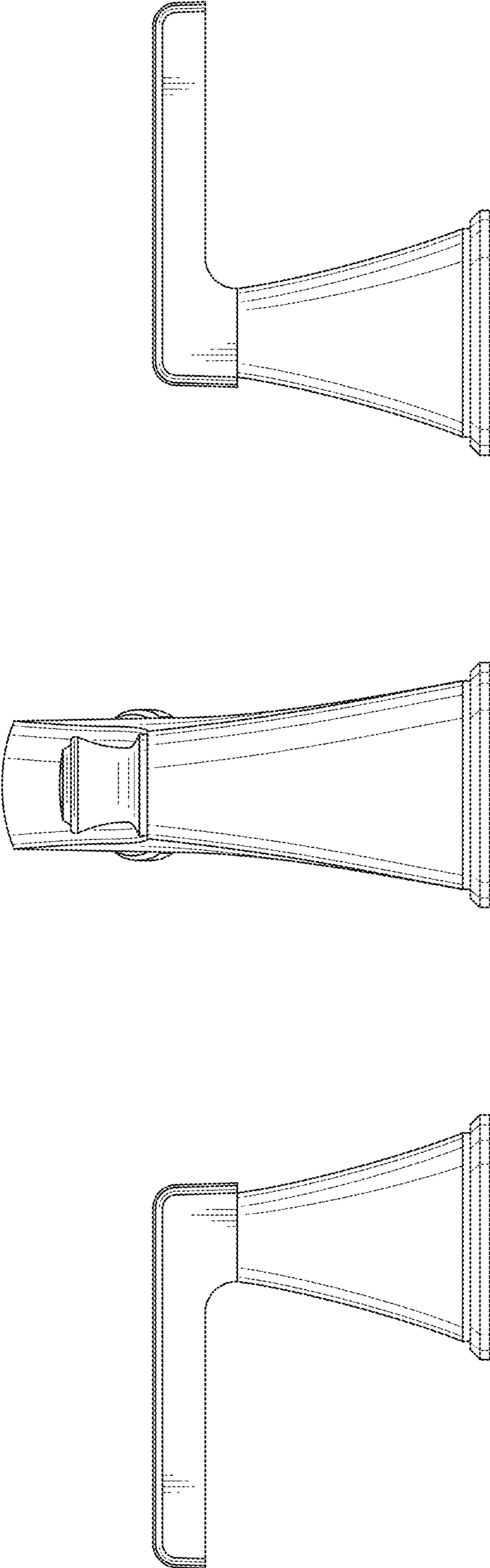


Fig. 4

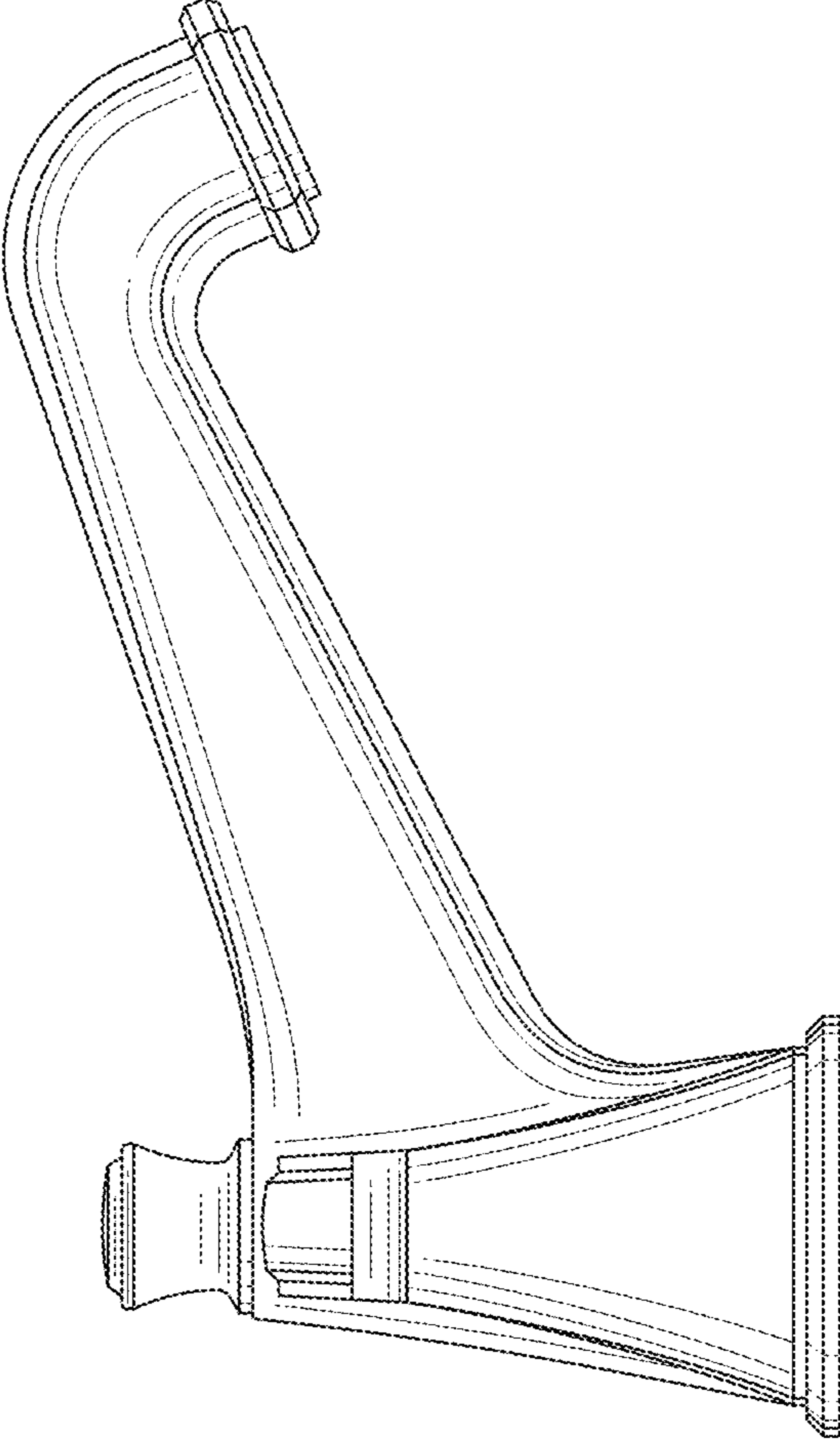
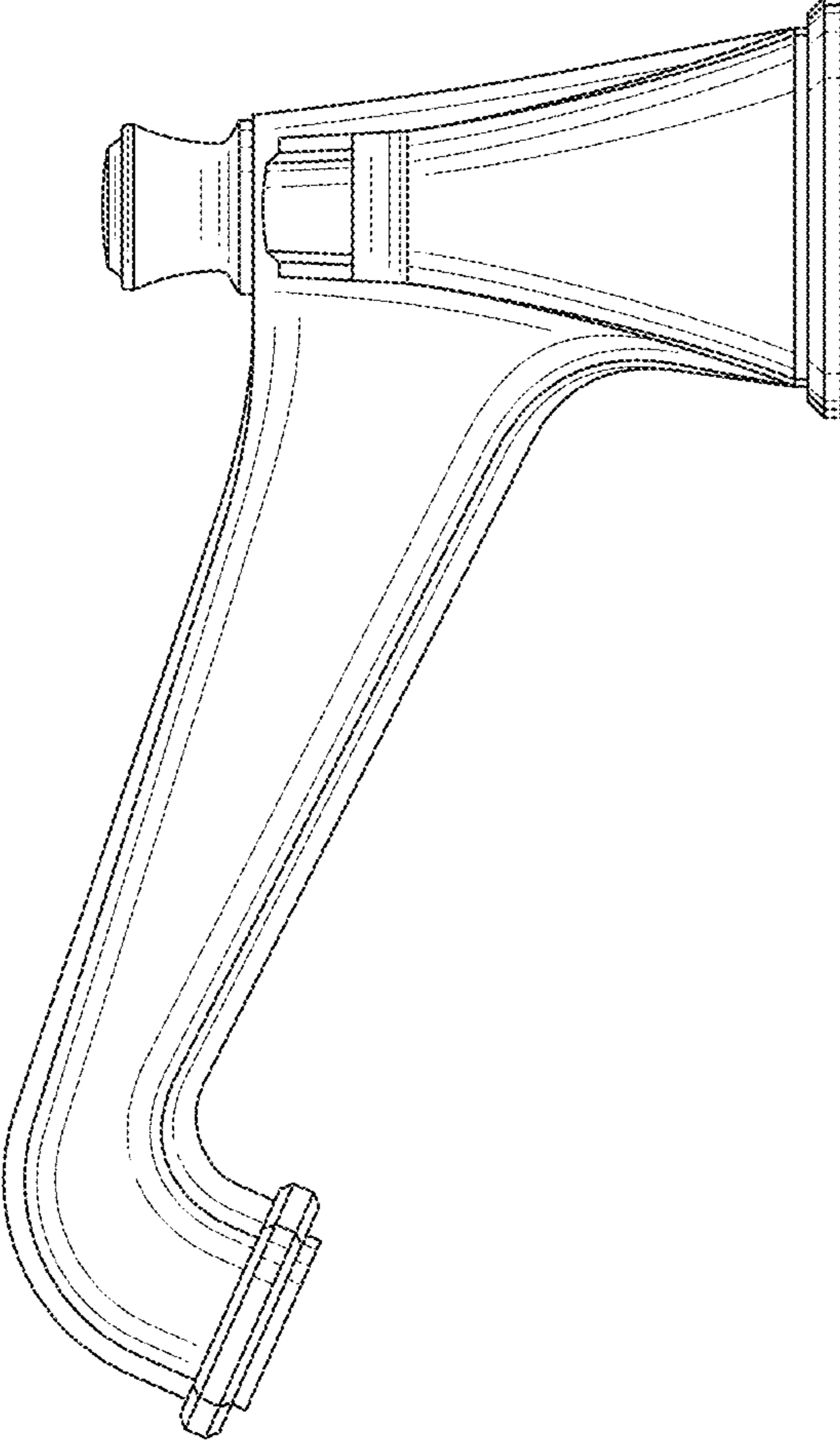


Fig. 5



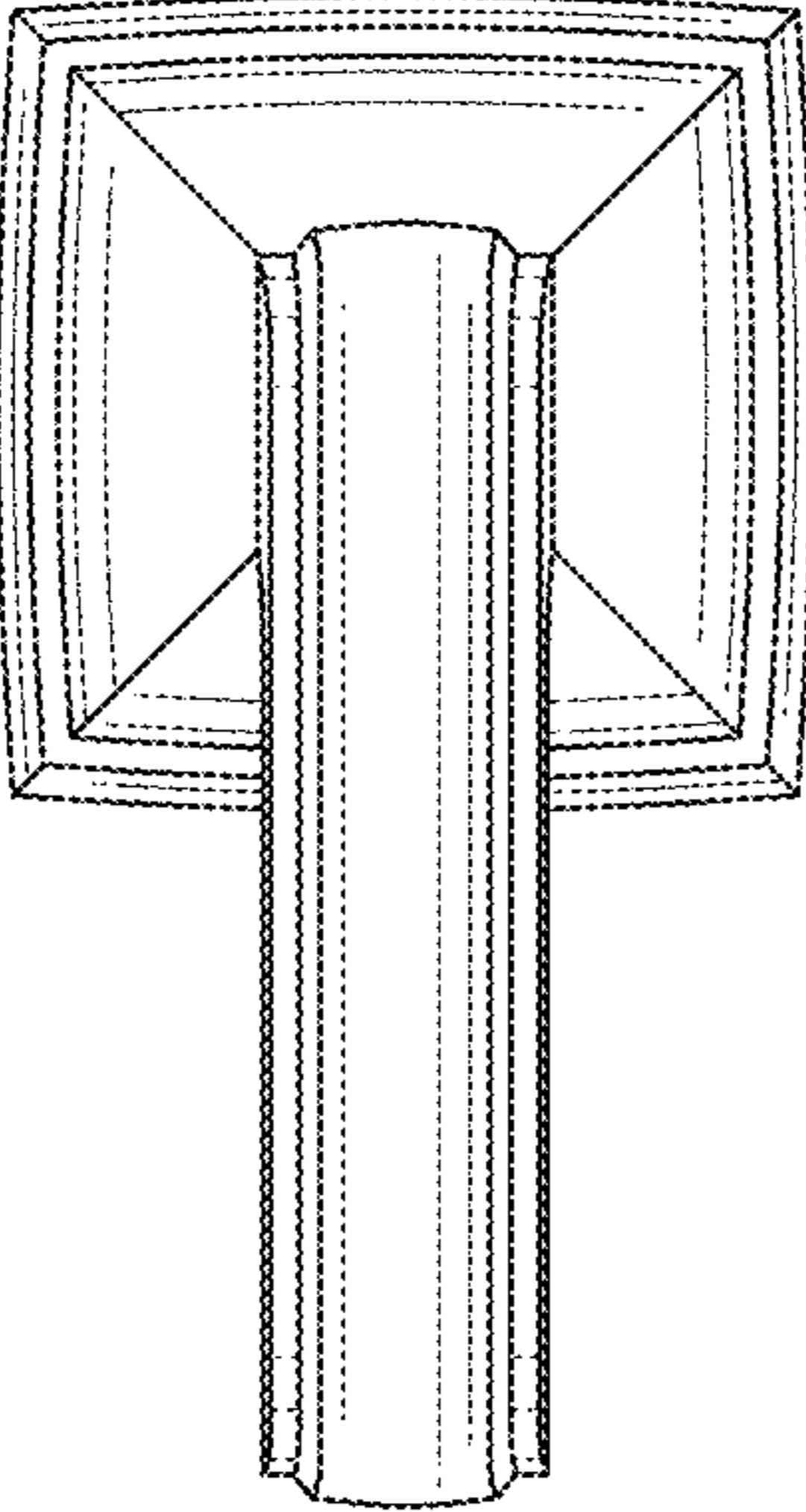
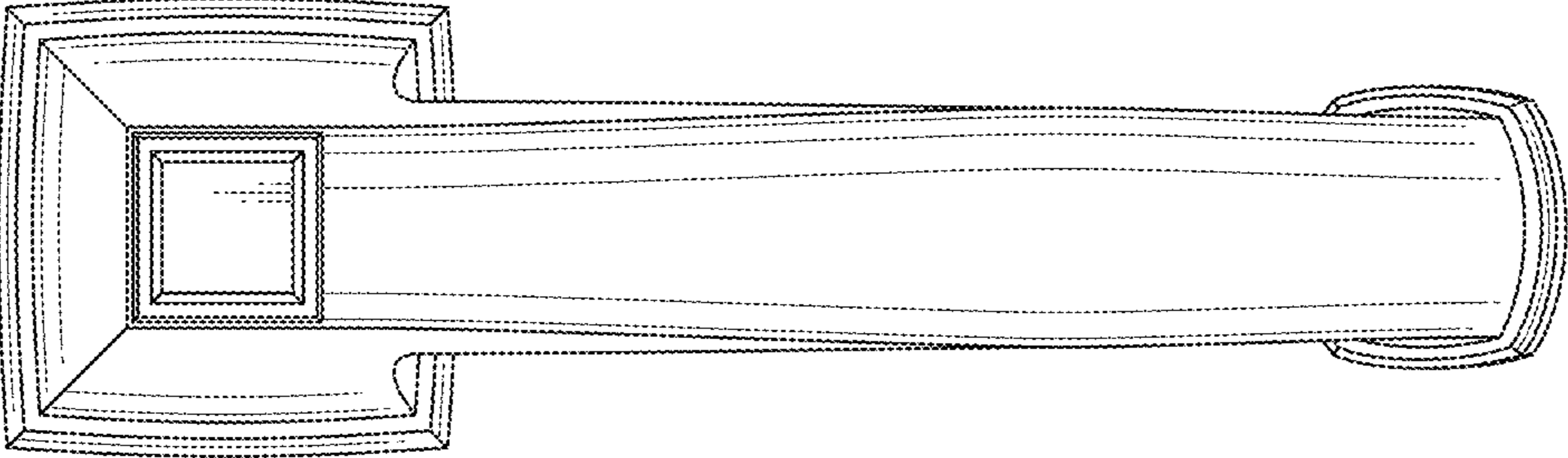
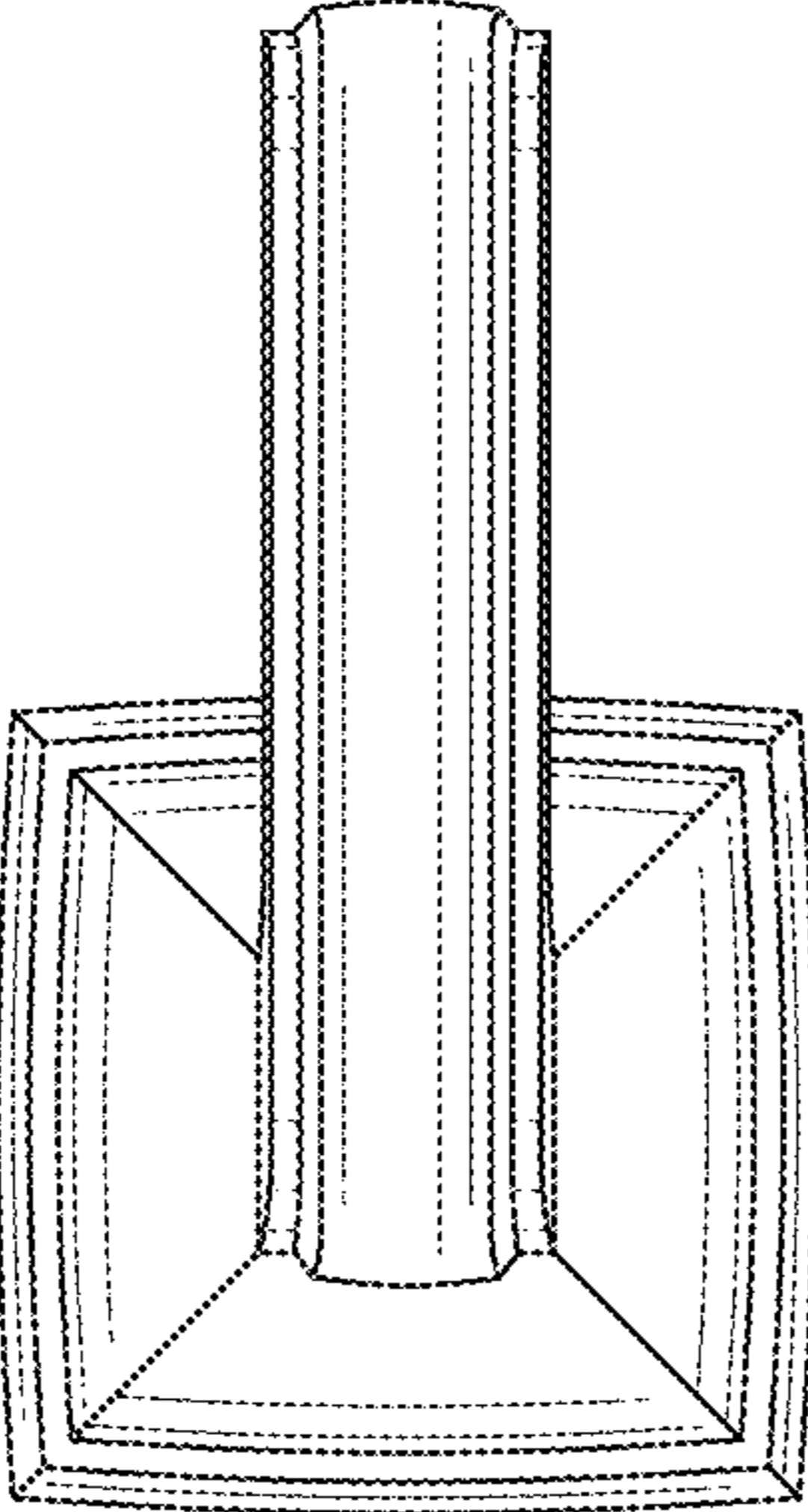


Fig. 6

Fig. 7

