



US00D682988S

(12) **United States Design Patent**  
**Hobbs et al.**

(10) **Patent No.:** **US D682,988 S**

(45) **Date of Patent:** **\*\* May 21, 2013**

(54) **WAND**

(75) Inventors: **Richard Hobbs**, Cambridgeshire (GB);  
**Jason Morehen**, Cambridgeshire (GB)

(73) Assignee: **Weeding Technologies Limited** (GB)

(\*\*) Term: **14 Years**

(21) Appl. No.: **29/412,048**

(22) Filed: **Jan. 30, 2012**

(30) **Foreign Application Priority Data**

Jul. 28, 2011 (GB) ..... 001897893-0001

(51) **LOC (9) Cl.** ..... **23-01**

(52) **U.S. Cl.**  
USPC ..... **D23/223**

(58) **Field of Classification Search** ..... D23/213,  
D23/223, 226; 239/525, 526, 532  
See application file for complete search history.

(56) **References Cited**

U.S. PATENT DOCUMENTS

D294,965 S \* 3/1988 Garrard et al. .... D23/226  
D358,195 S \* 5/1995 Tsai ..... D23/213

6,705,539 B1 \* 3/2004 Bien ..... 239/10  
D502,759 S \* 3/2005 Smoot ..... D23/213  
D512,121 S \* 11/2005 Chen ..... D23/223  
D573,691 S \* 7/2008 Busschaert et al. .... D23/226  
7,641,133 B2 \* 1/2010 Wilfert ..... 239/419.5  
7,677,476 B2 \* 3/2010 Burdsall et al. .... 239/532

\* cited by examiner

*Primary Examiner* — Robin V Webster

(74) *Attorney, Agent, or Firm* — Tumey L.L.P.

(57) **CLAIM**

The ornamental design for a wand, as shown and described.

**DESCRIPTION**

FIG. 1 illustrates an underside view of a wand showing the new design;

FIG. 2 illustrates a back view of the wand of FIG. 1;

FIG. 3 illustrates a front view of the wand of FIG. 1;

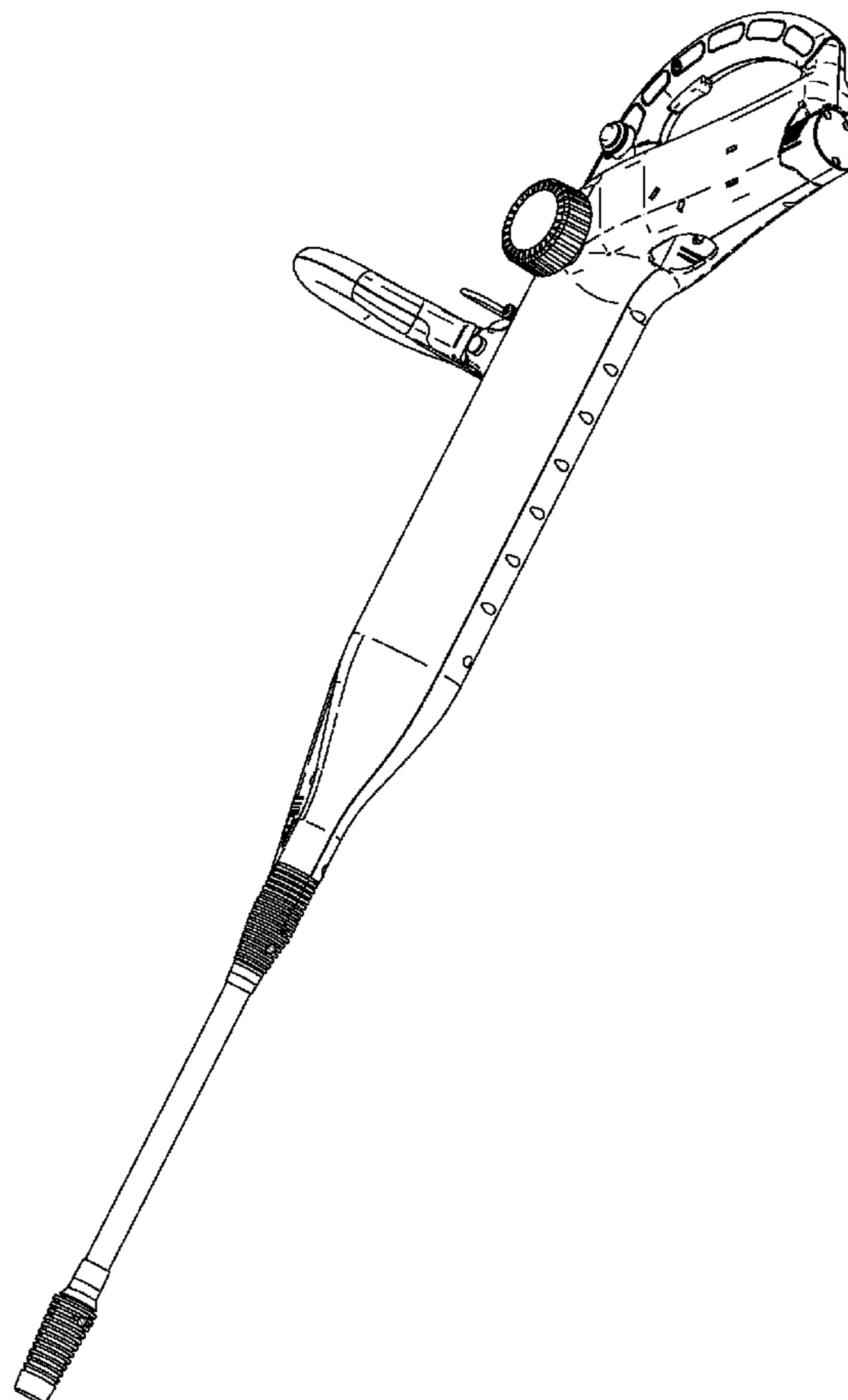
FIG. 4 illustrates a left hand side view of the wand of FIG. 1;

FIG. 5 illustrates a perspective view of the underside of the wand of FIG. 1;

FIG. 6 illustrates a right hand side view of the wand of FIG. 1; and,

FIG. 7 illustrates a top view of the wand of FIG. 1.

**1 Claim, 7 Drawing Sheets**



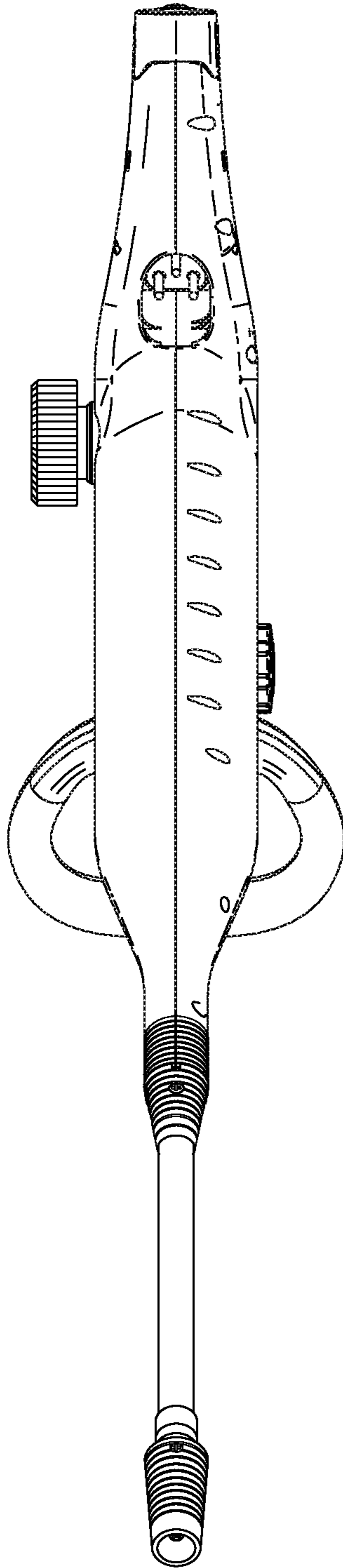


FIG. 1

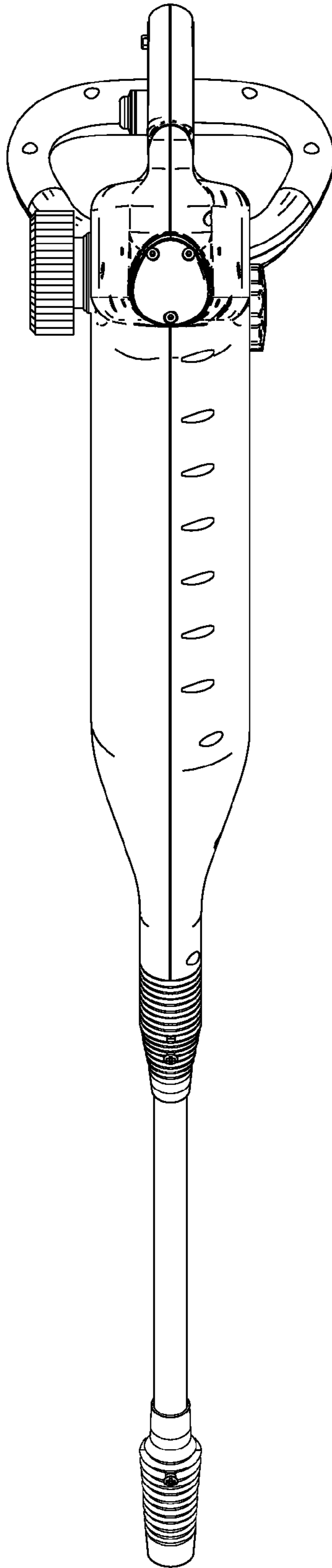


FIG. 2

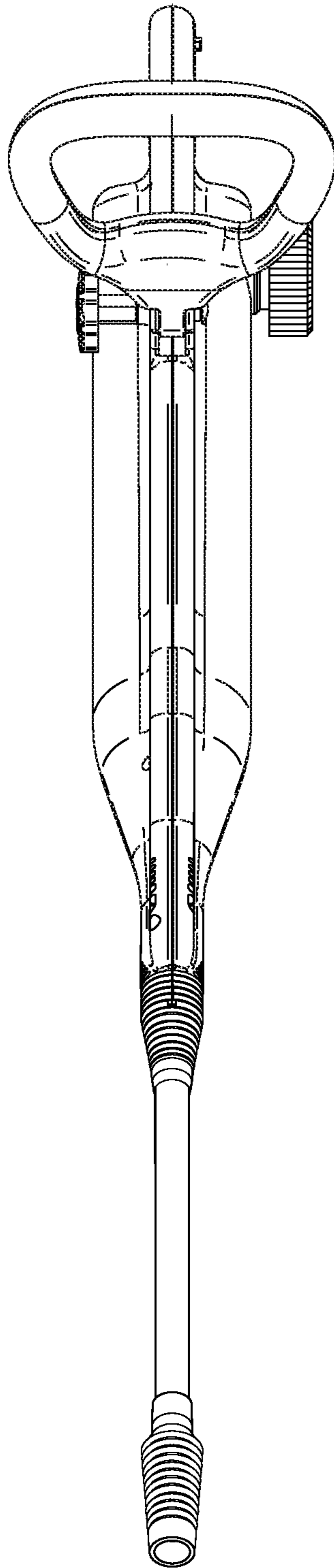


FIG. 3

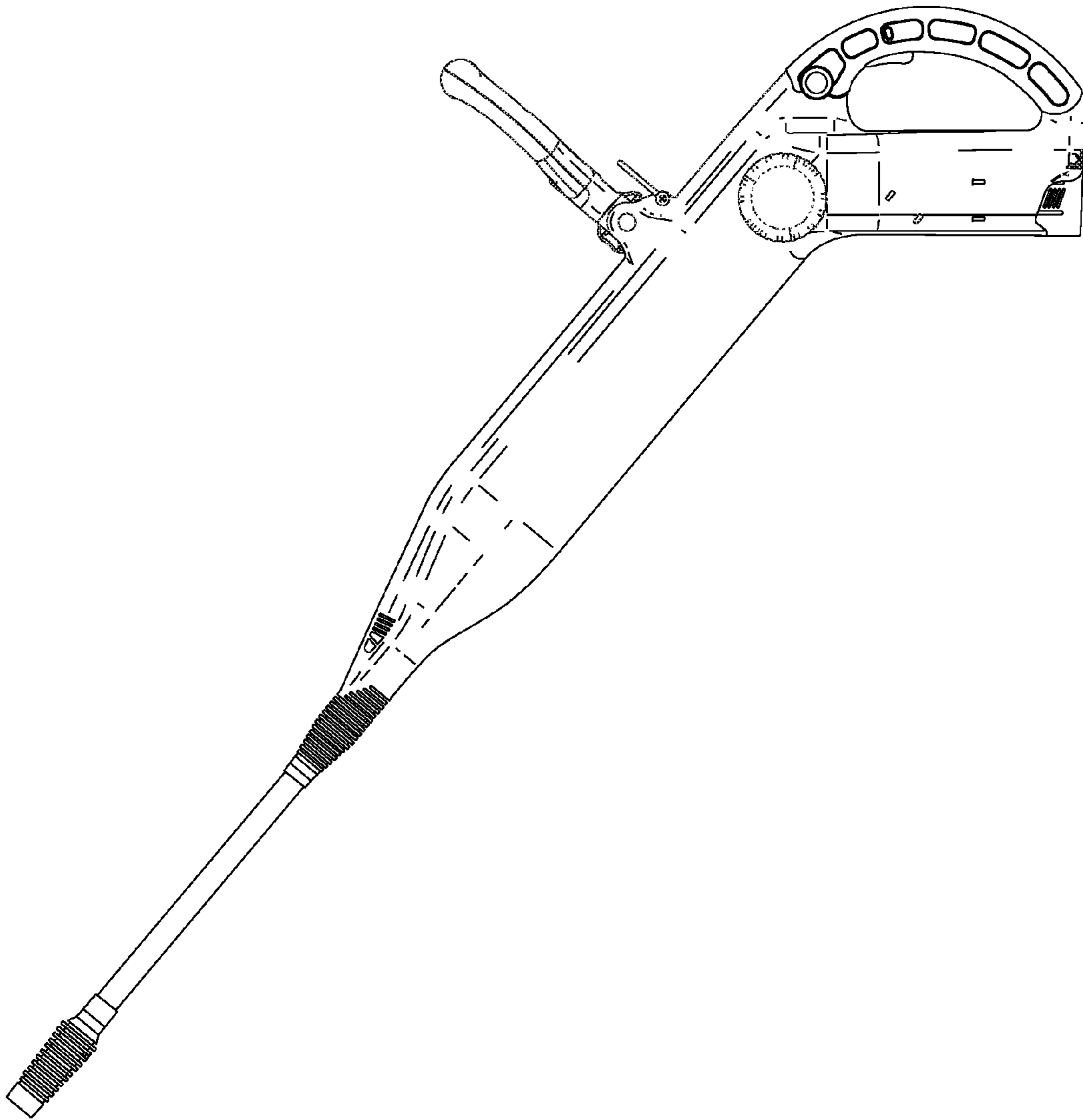


FIG. 4

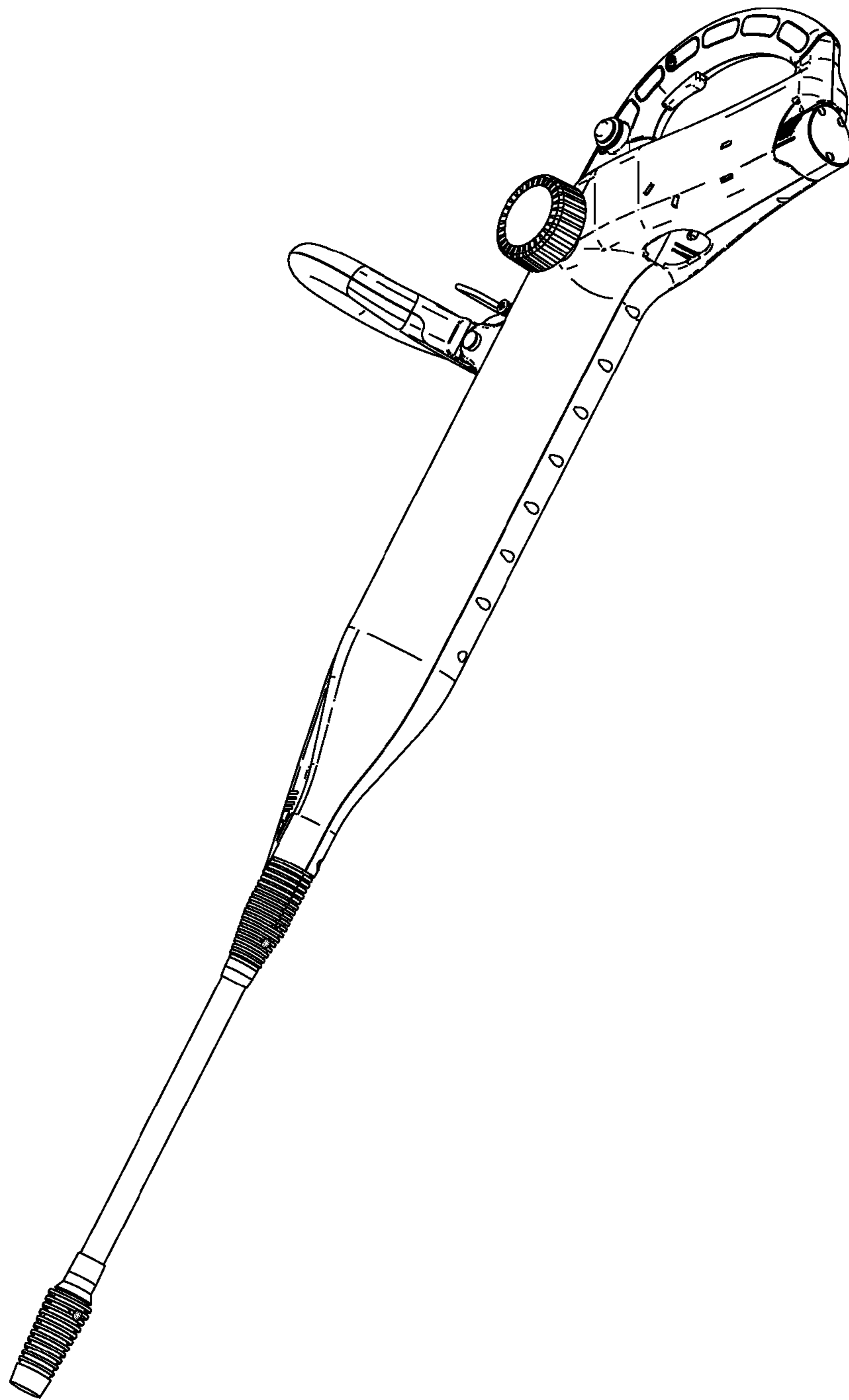


FIG. 5

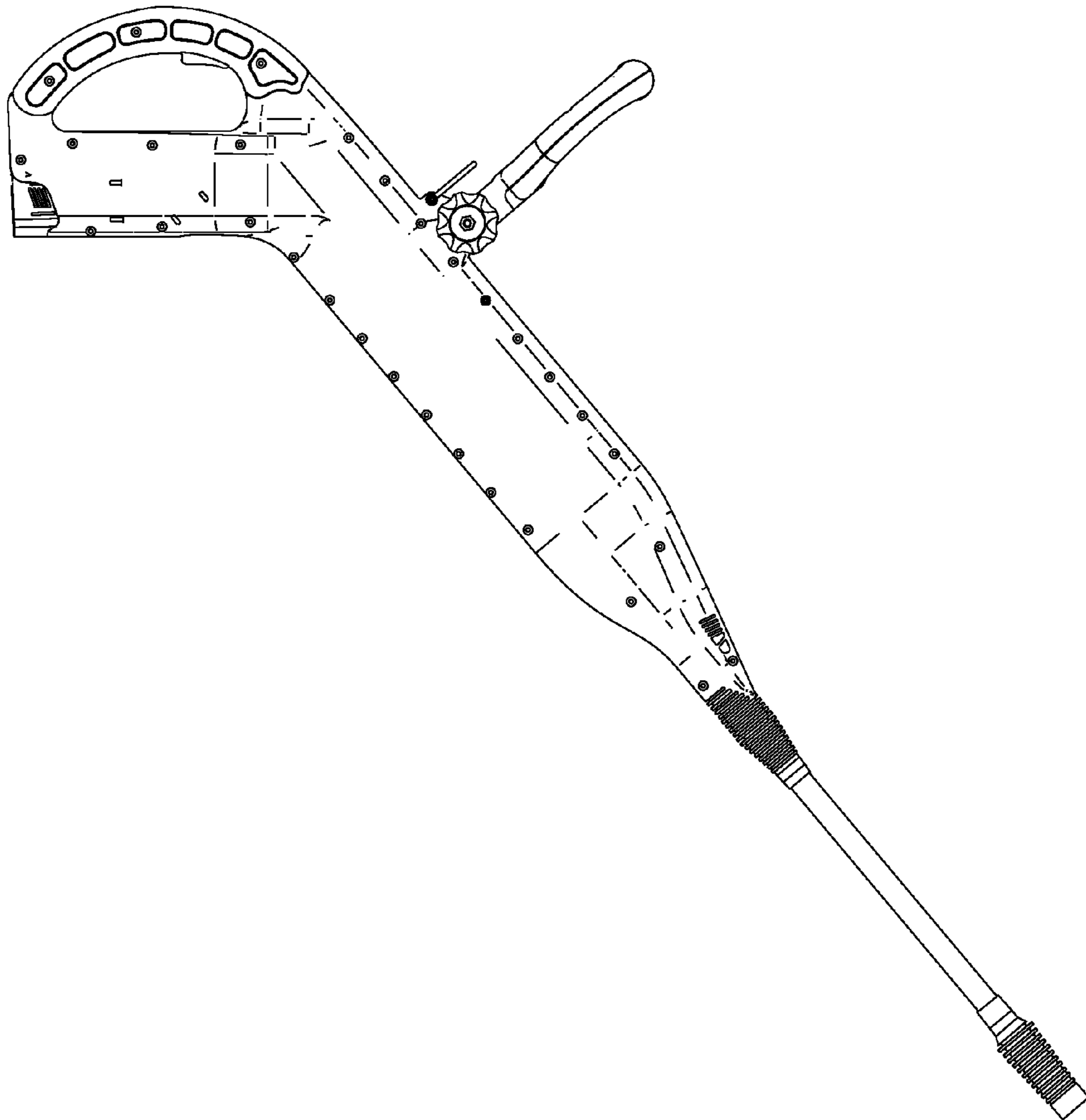


FIG. 6



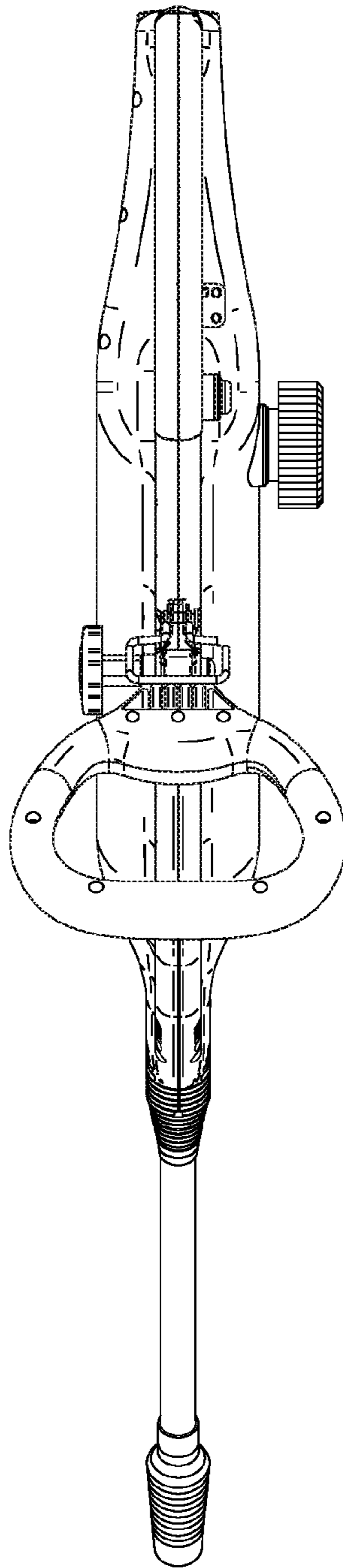


FIG. 7