



US00D682987S

(12) **United States Design Patent**
Blum

(10) **Patent No.:** **US D682,987 S**

(45) **Date of Patent:** **** May 21, 2013**

(54) **FLOW REGULATOR**

(75) Inventor: **Gerhard Blum**, Gutach (DE)

(73) Assignee: **Neoperl GmbH**, Mullheim (DE)

(**) Term: **14 Years**

(21) Appl. No.: **29/390,509**

(22) Filed: **Apr. 26, 2011**

Related U.S. Application Data

(63) Continuation-in-part of application No. 29/379,367, filed on Nov. 18, 2010, now Pat. No. Des. 639,911.

Foreign Application Priority Data

May 27, 2010 (EM) 1216642

(51) **LOC (9) Cl.** **23-01**

(52) **U.S. Cl.**
USPC **D23/213**

(58) **Field of Classification Search** D23/213,
D23/249; 239/428.5, 437; 261/DIG. 22
See application file for complete search history.

(56) **References Cited**

U.S. PATENT DOCUMENTS

D529,588 S	10/2006	Grether	
D536,417 S *	2/2007	Buttgen	D23/213
D537,916 S *	3/2007	Buttgen	D23/213
D577,416 S *	9/2008	Buttgen	D23/213
D605,732 S	12/2009	Stein	
D612,911 S	3/2010	Grether	
D622,355 S	8/2010	Grether	

* cited by examiner

Primary Examiner — Robin V Webster

(74) *Attorney, Agent, or Firm* — Volpe and Koenig, P.C.

(57) **CLAIM**

The design for a flow regulator, as shown and described.

DESCRIPTION

FIG. 1 is a top plan view of a flow regulator in accordance with my design;

FIG. 2 is a top, front perspective view thereof;

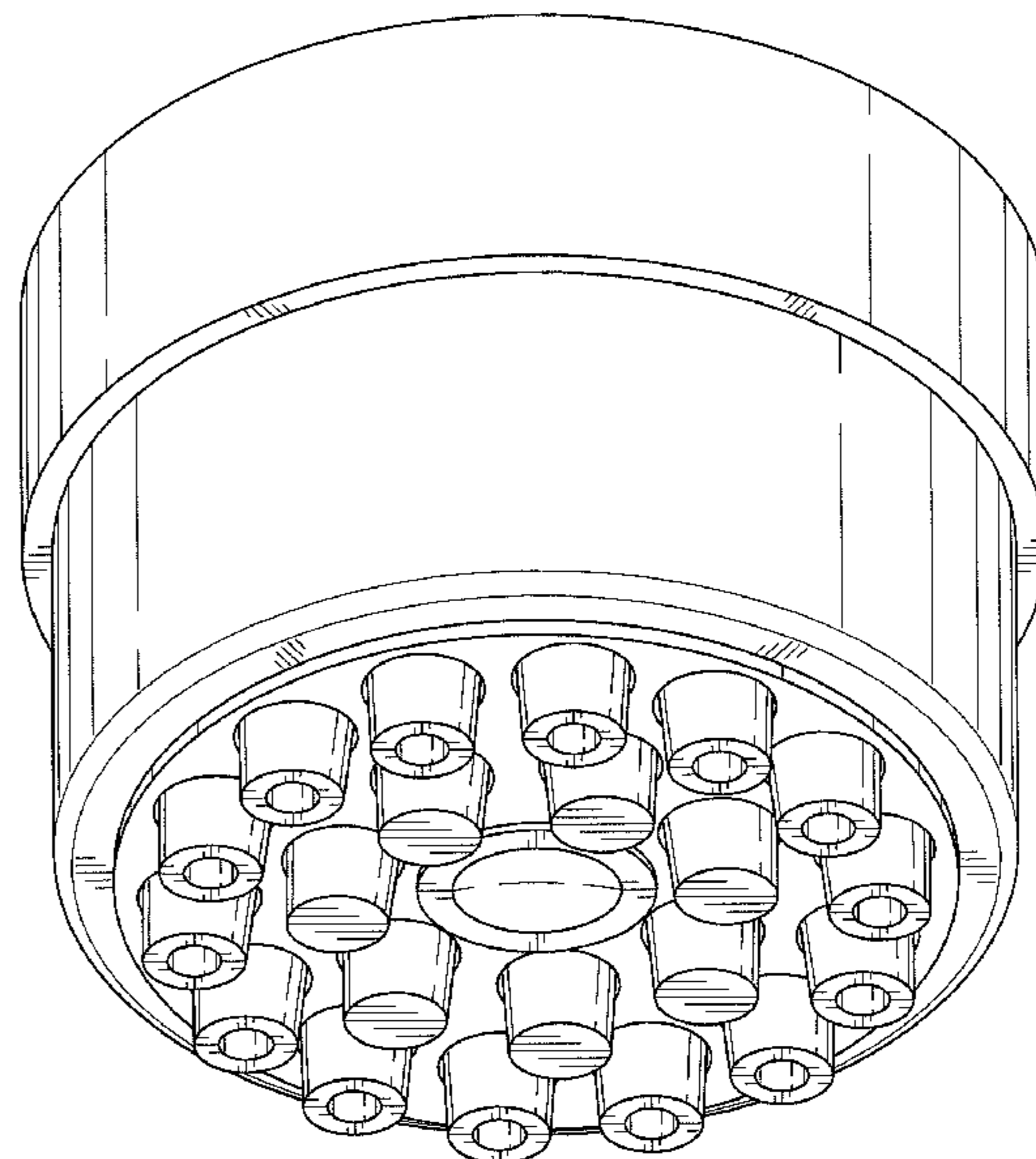
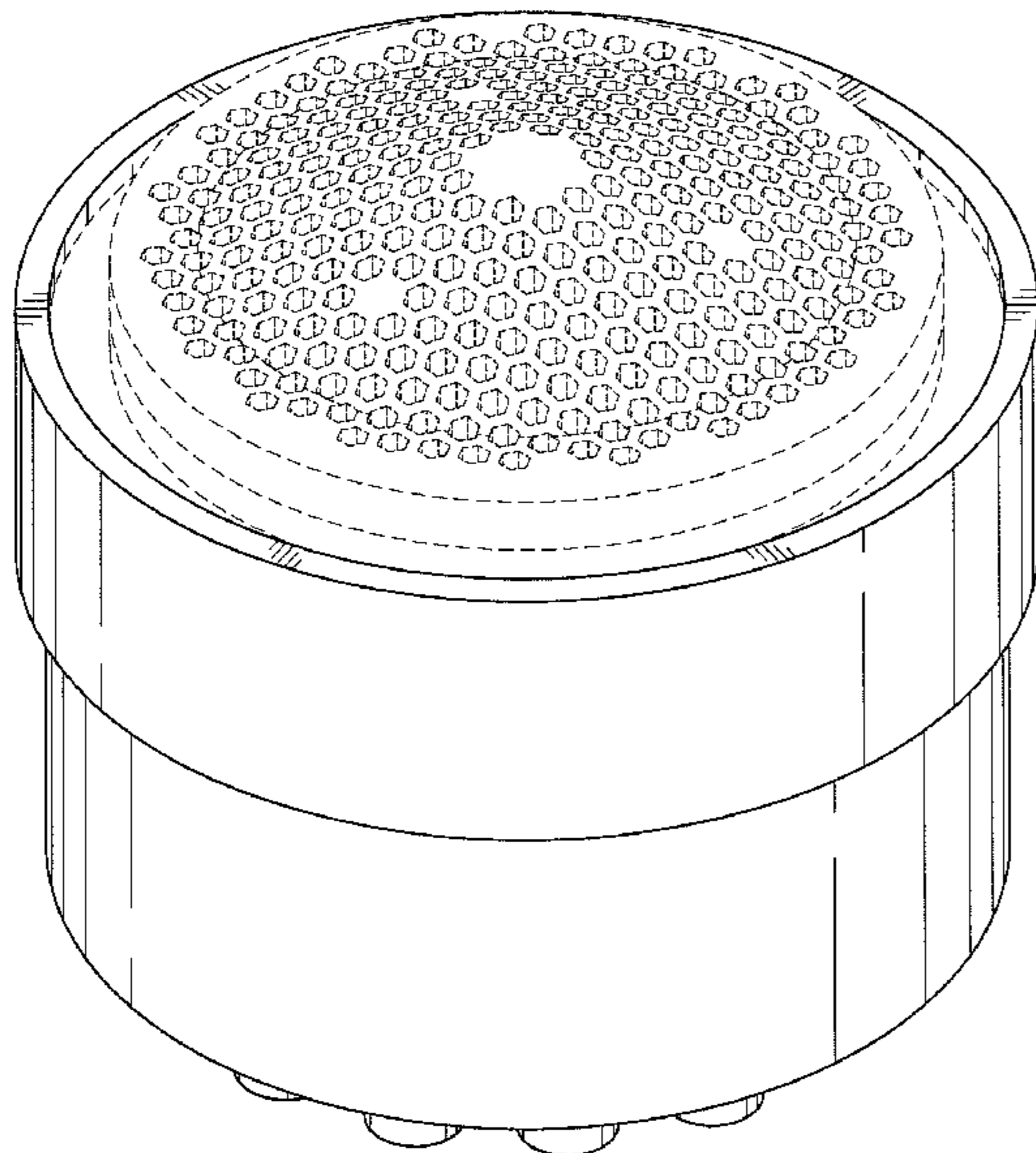
FIG. 3 is a bottom view thereof;

FIG. 4 is a bottom, rear perspective view thereof; and,

FIG. 5 is an elevational view thereof.

The broken lines shown in the drawings form no part of the claimed design.

1 Claim, 5 Drawing Sheets



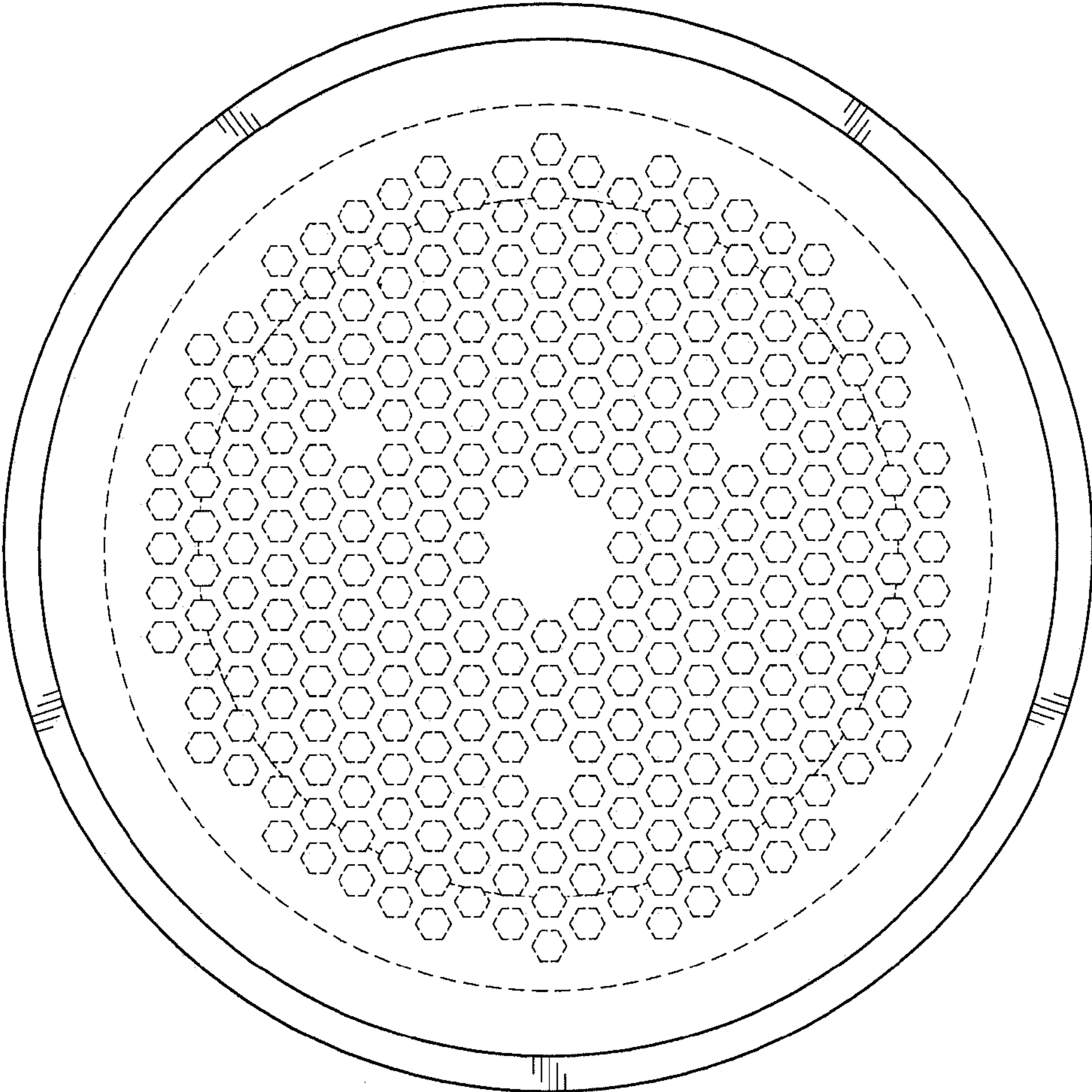


Fig. 1

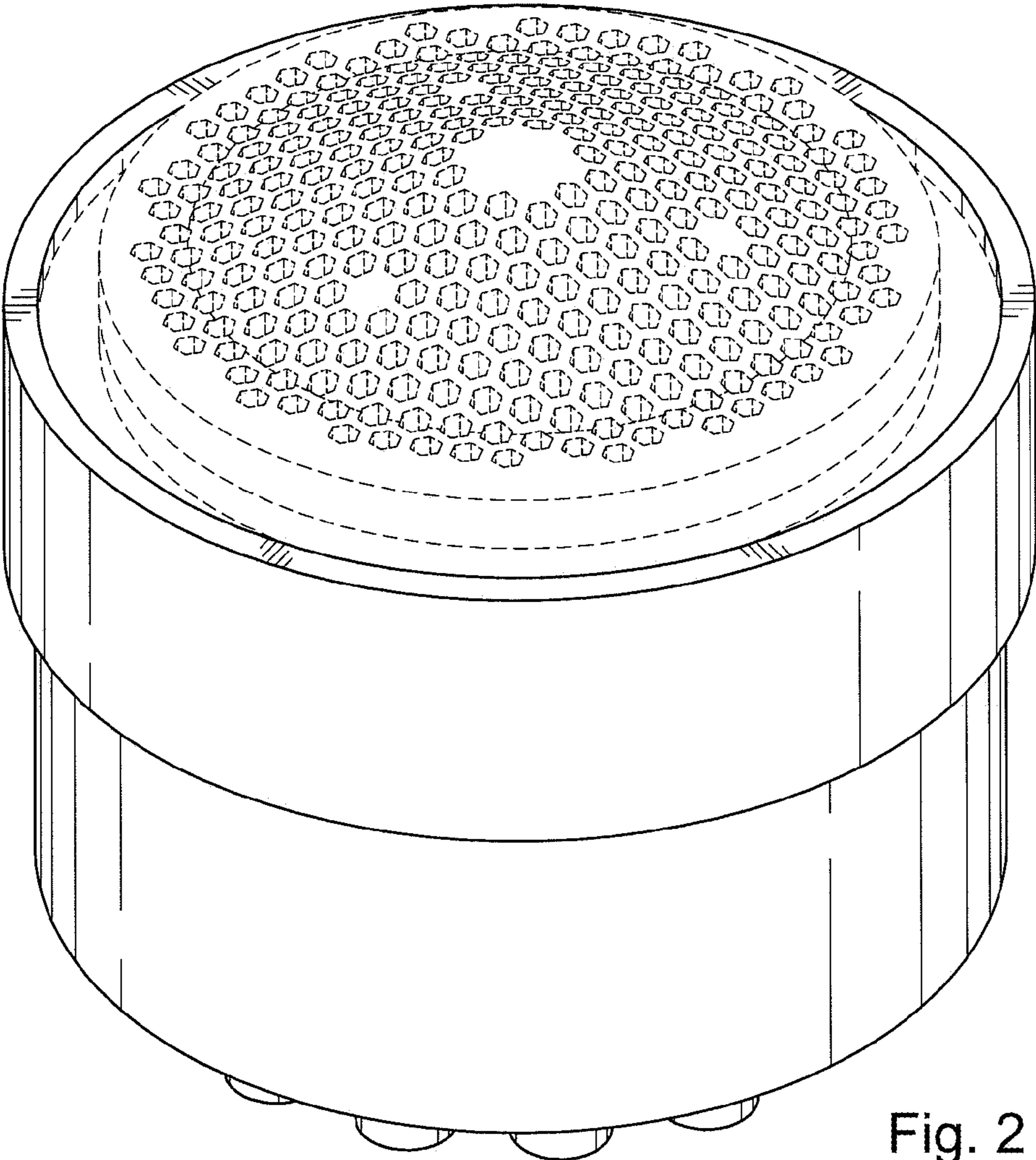


Fig. 2

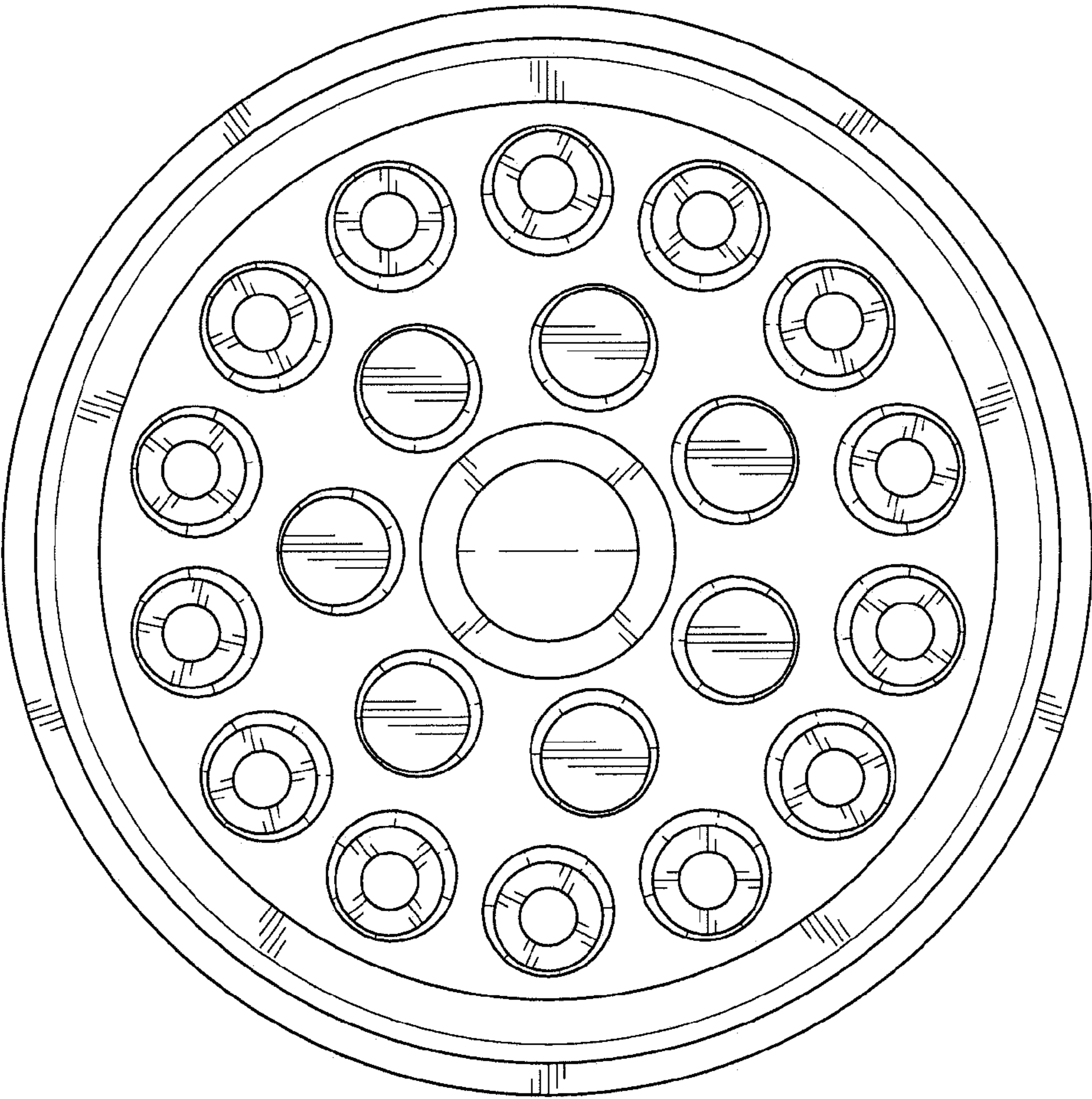


Fig. 3

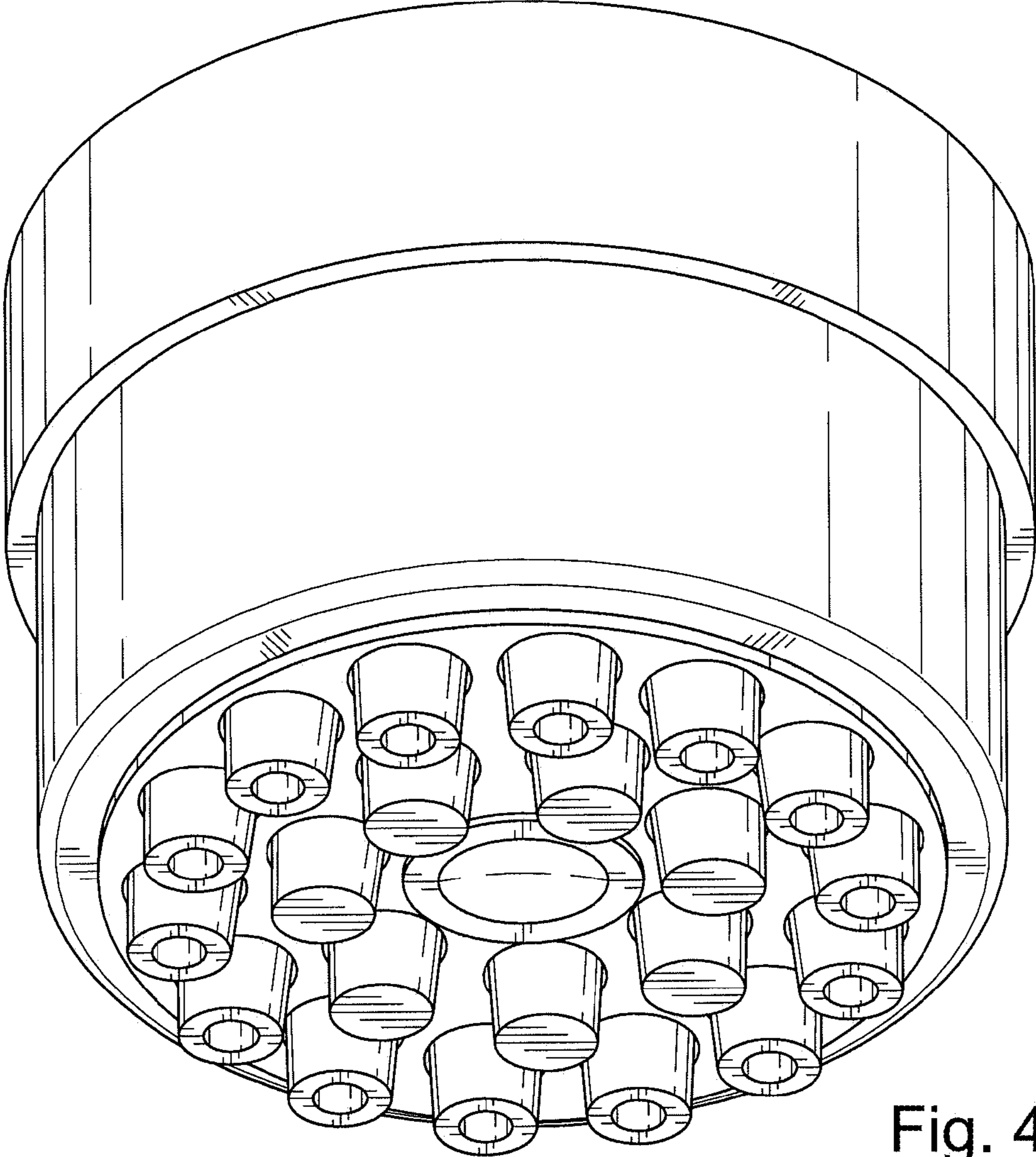


Fig. 4

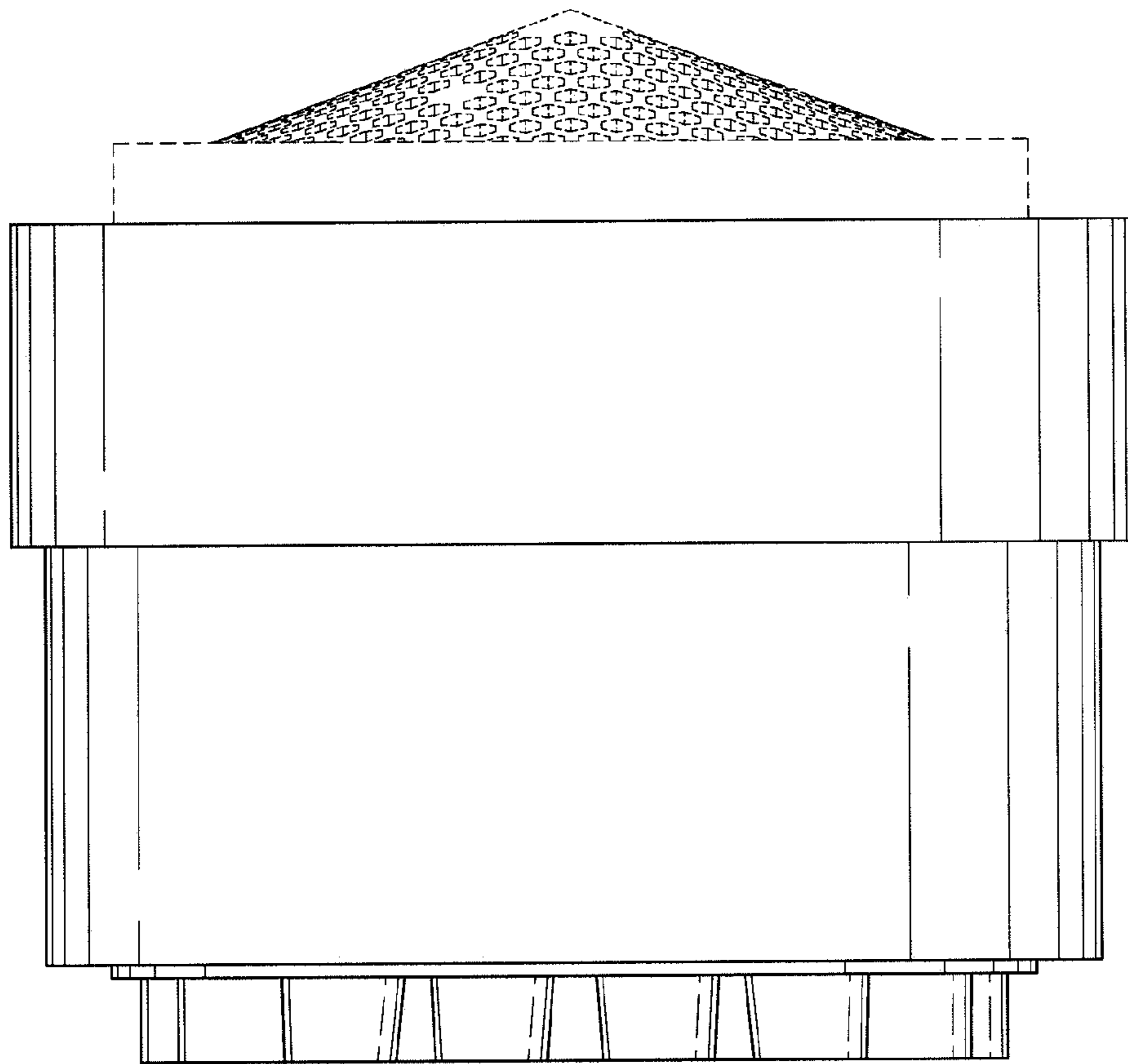


Fig. 5