



US00D682984S

(12) **United States Design Patent**
Choi

(10) **Patent No.:** **US D682,984 S**
(45) **Date of Patent:** **** May 21, 2013**

(54) **WATER PURIFIER**

(75) Inventor: **Hun Jung Choi**, Seoul (KR)

(73) Assignee: **Woongjin Coway Co., Ltd.**, Gongju (KR)

(**) Term: **14 Years**

(21) Appl. No.: **29/415,411**

(22) Filed: **Mar. 9, 2012**

(30) **Foreign Application Priority Data**

Oct. 10, 2011 (KR) 30-2011-0041815

(51) **LOC (9) Cl.** **23-01**

(52) **U.S. Cl.**
USPC **D23/207**

(58) **Field of Classification Search** D23/207-209;
D7/313; 210/435, 241, 140, 190
See application file for complete search history.

(56) **References Cited**

U.S. PATENT DOCUMENTS

D552,709 S * 10/2007 Lin D23/207
D665,872 S * 8/2012 Lin D23/207
D671,191 S * 11/2012 Lin D23/207

FOREIGN PATENT DOCUMENTS

EM 001506601-0001 6/2009

* cited by examiner

Primary Examiner — Robin V Webster

(74) *Attorney, Agent, or Firm* — McDermott Will & Emery LLP

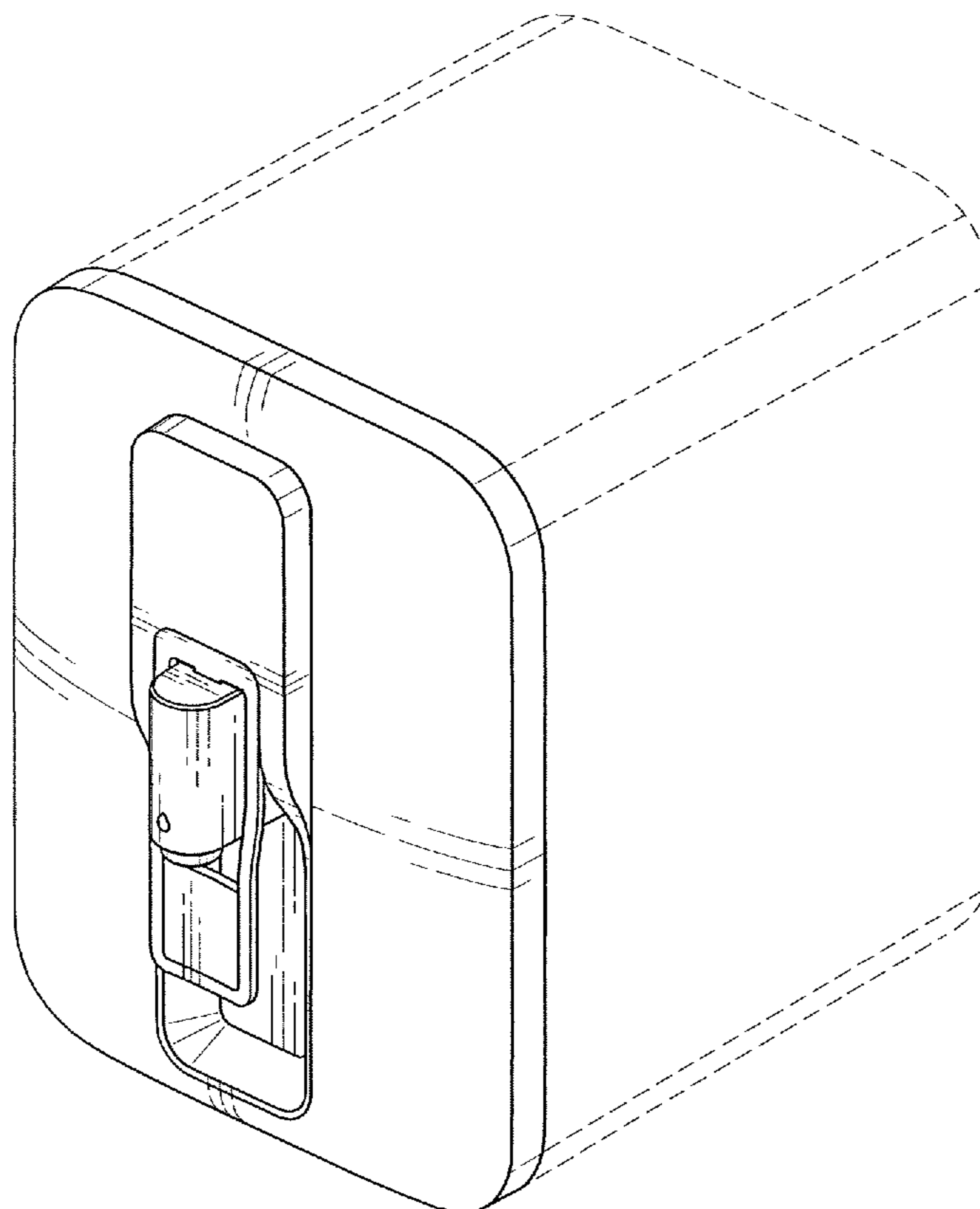
(57) **CLAIM**

The ornamental design for a water purifier, as shown and described.

DESCRIPTION

FIG. 1 is a perspective view of a water purifier showing my new design;
FIG. 2 is a front view thereof;
FIG. 3 is a rear view thereof;
FIG. 4 is a left side view thereof; (a right side view is the mirror image of this)
FIG. 5 is a top plan view thereof; and,
FIG. 6 is a bottom view thereof.
The broken lines depict portions of the water purifier that form no part of the claimed design.

1 Claim, 6 Drawing Sheets



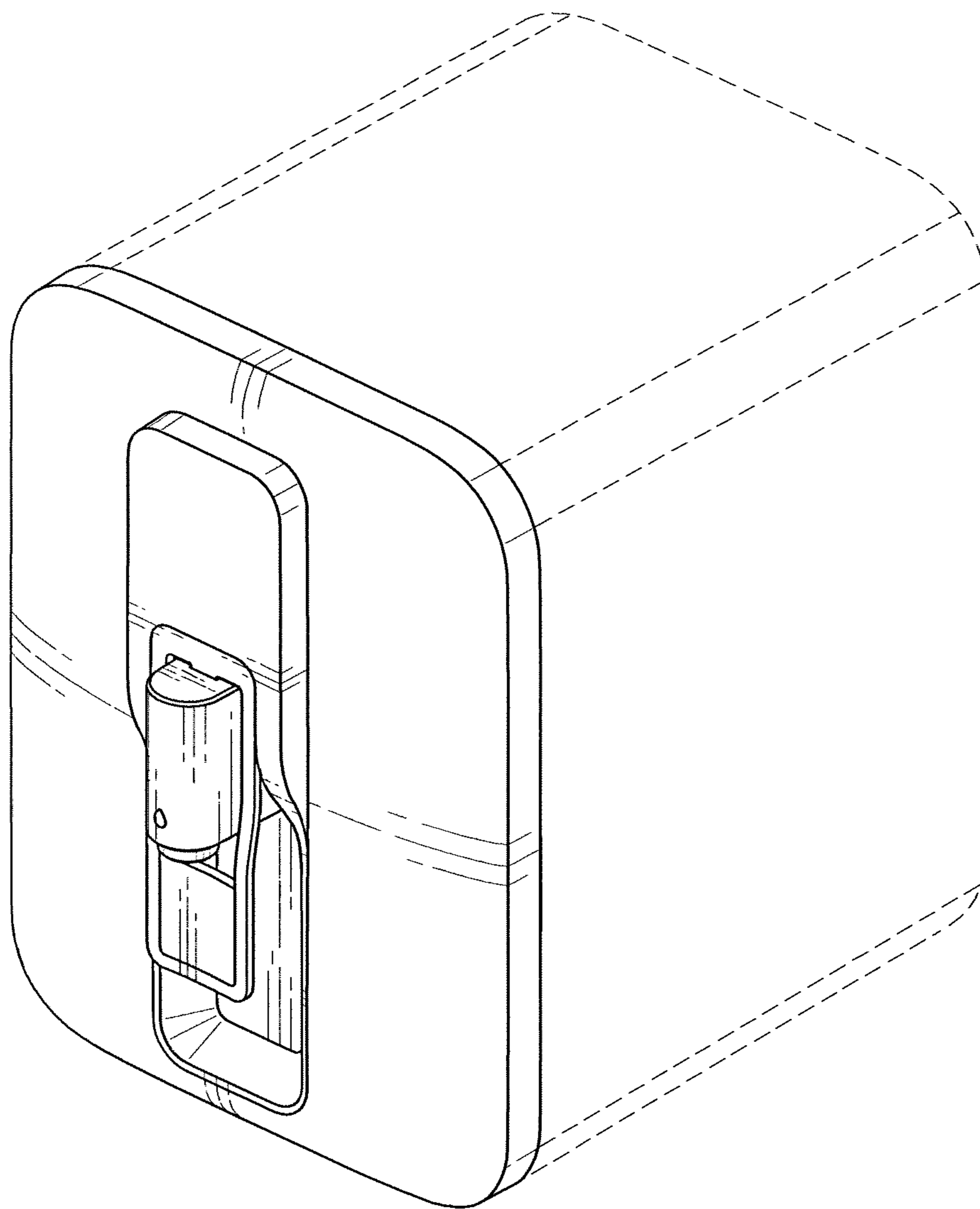


FIG. 1

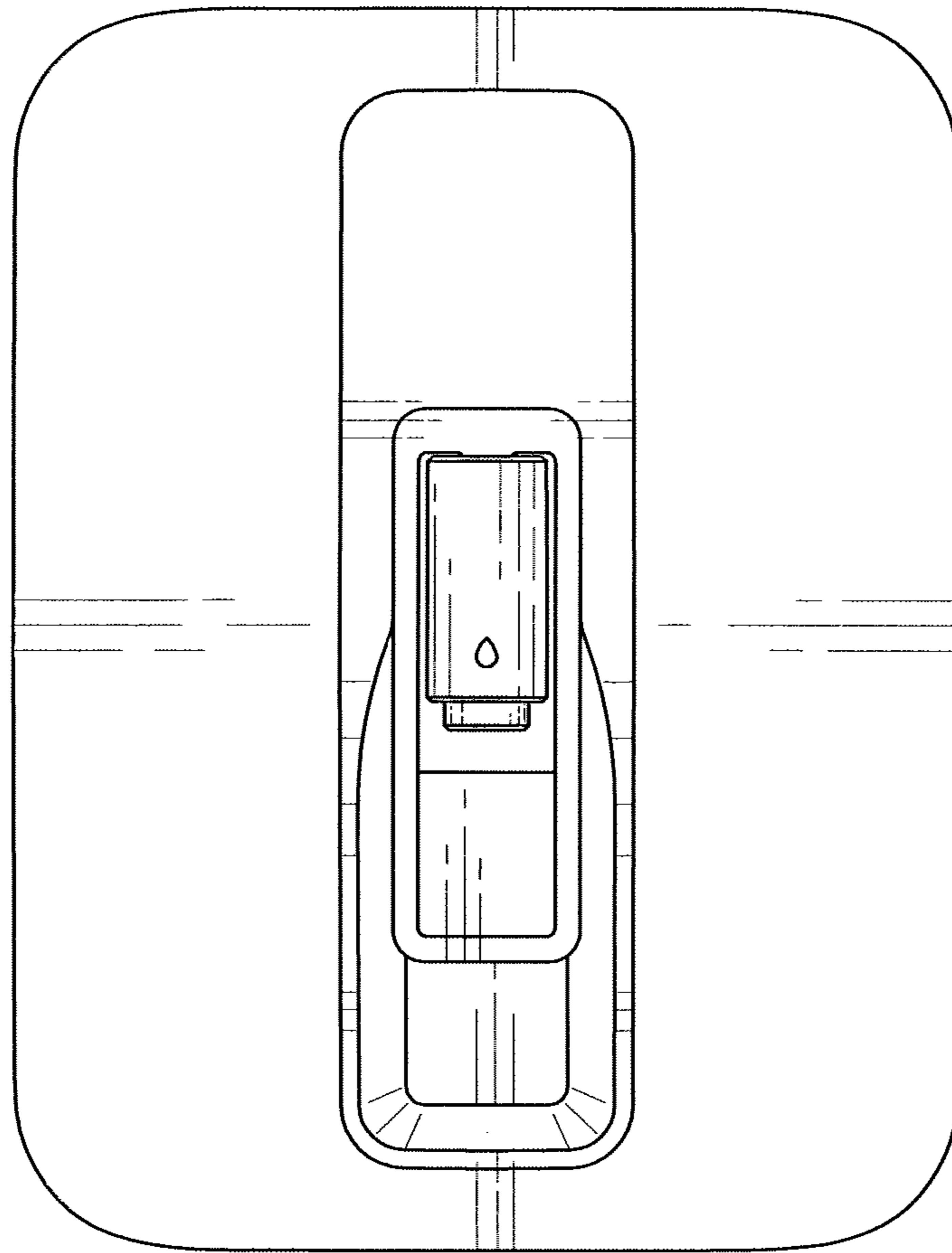


FIG. 2

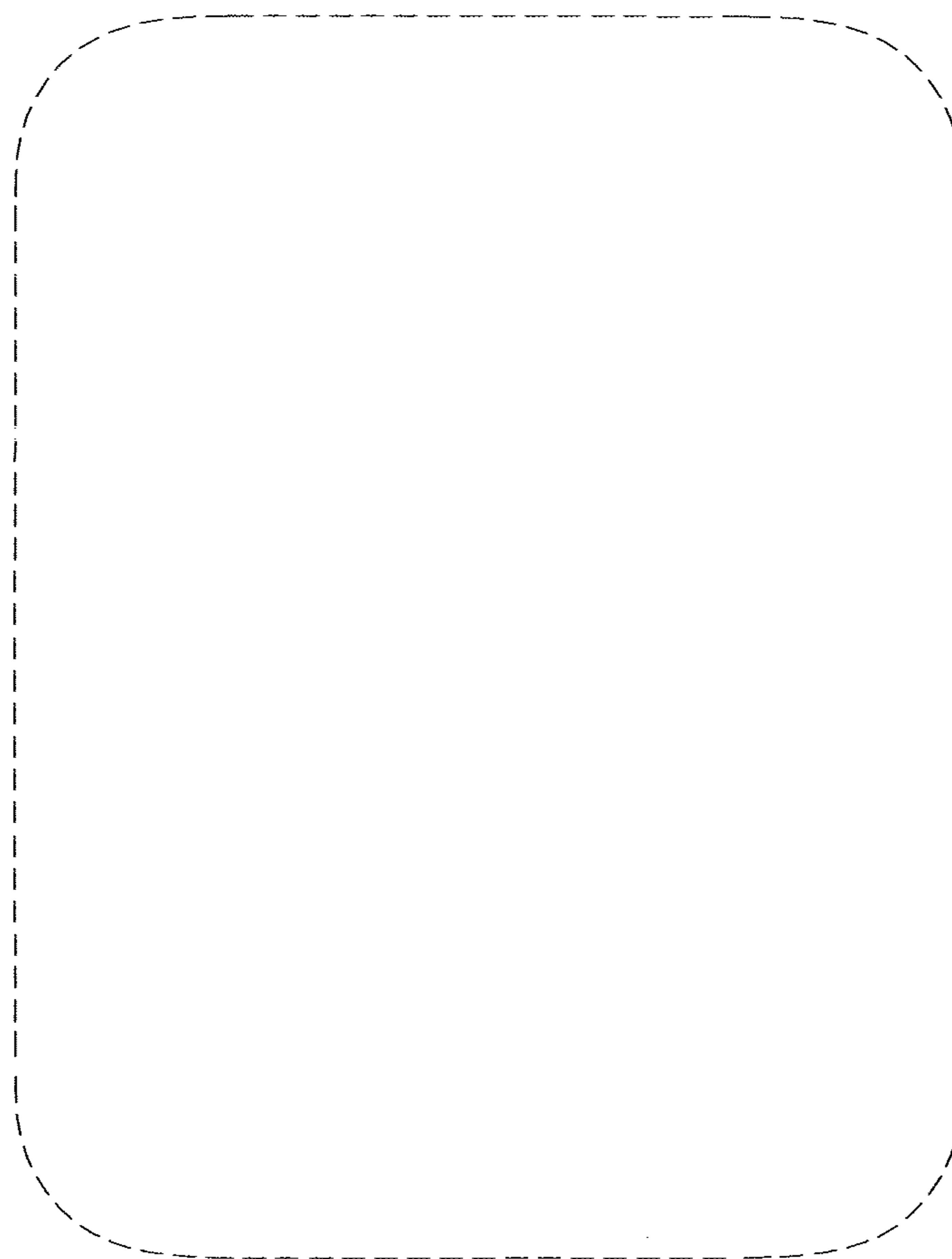


FIG. 3

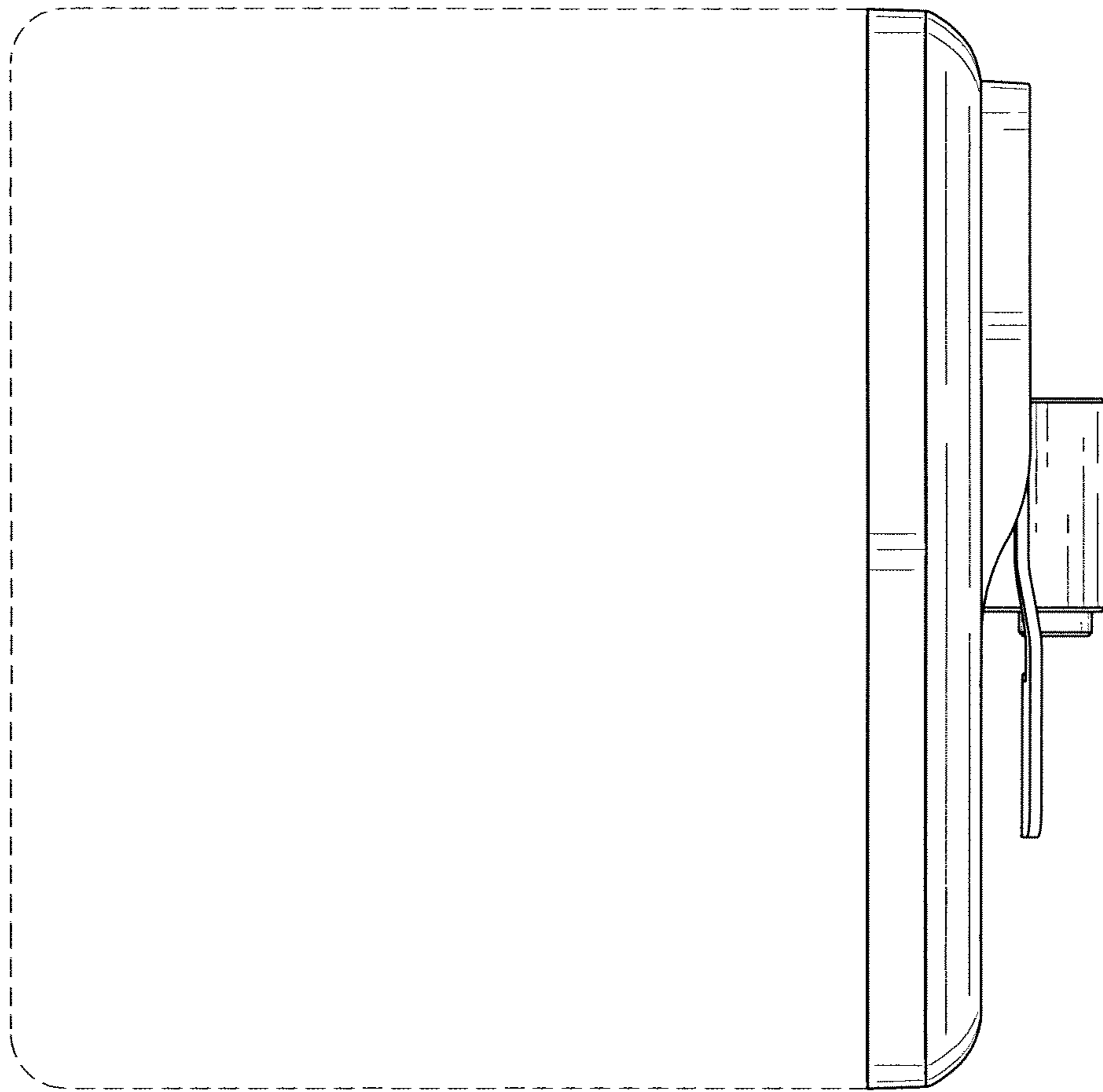


FIG. 4

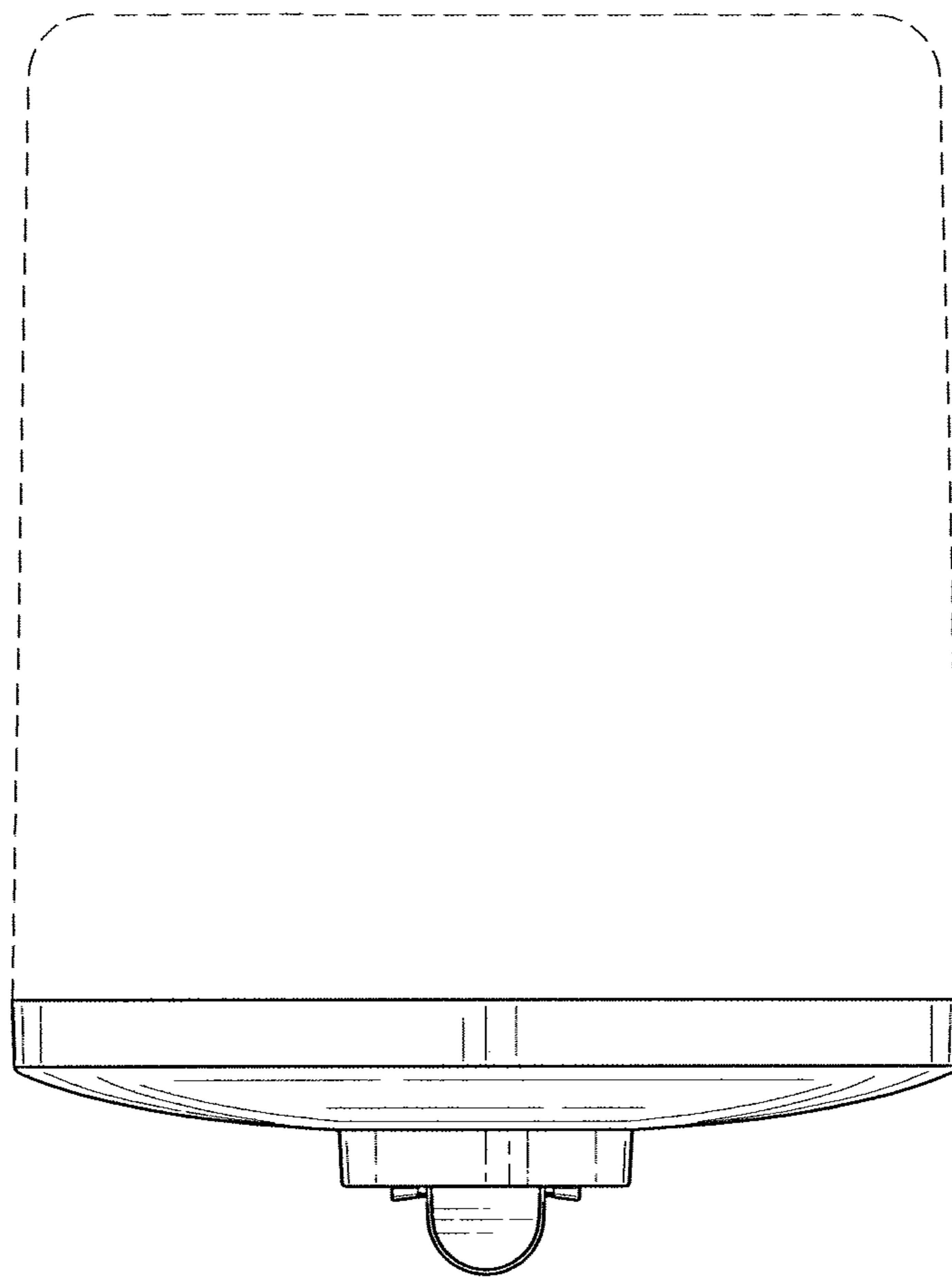


FIG. 5

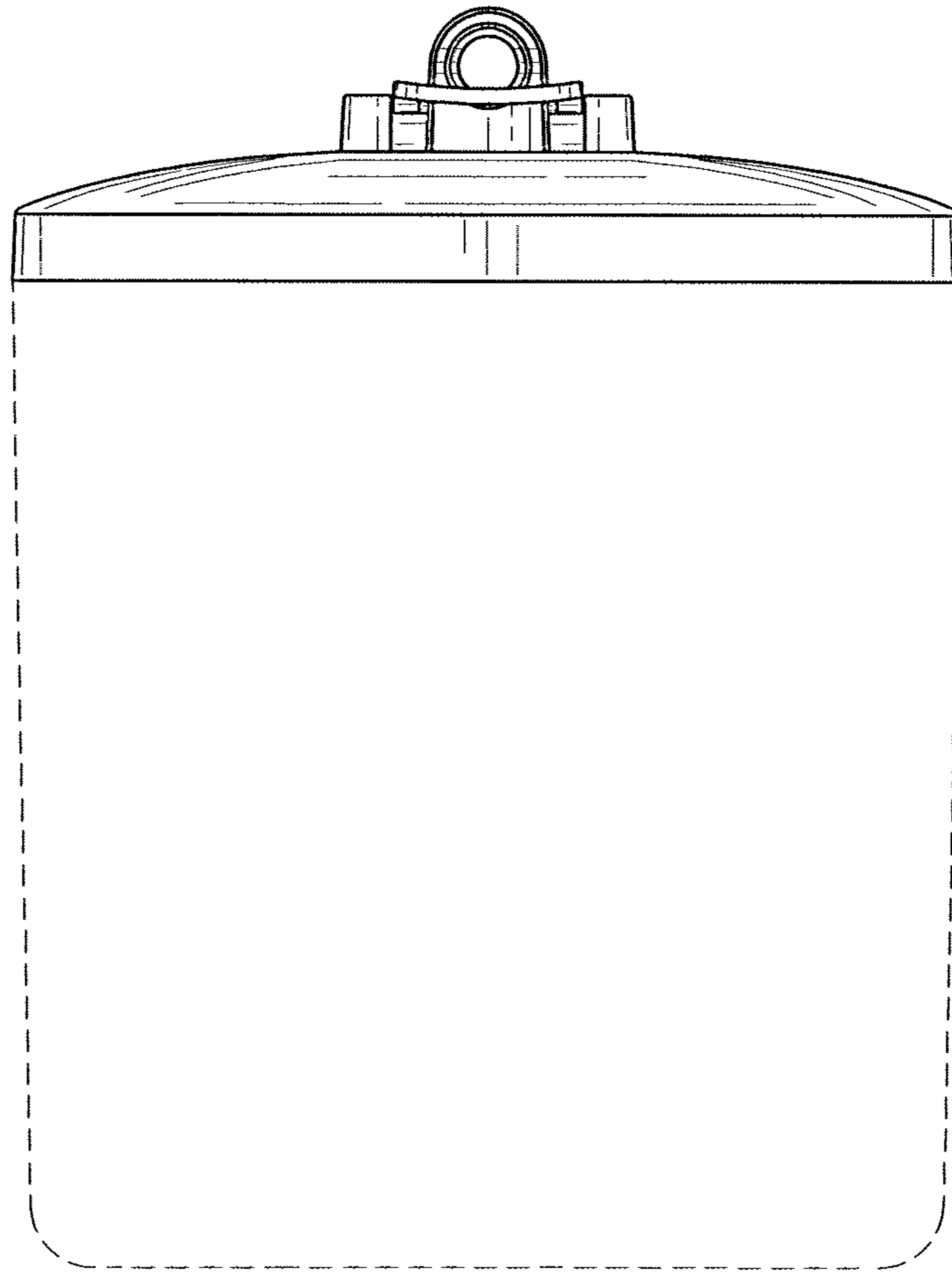


FIG. 6