



US00D682981S

(12) **United States Design Patent**  
**Bernard**

(10) **Patent No.:** **US D682,981 S**

(45) **Date of Patent:** **\*\* May 21, 2013**

(54) **INSECT BAIT STATION**

(71) Applicant: **Alan Bernard**, Boca Raton, FL (US)

(72) Inventor: **Alan Bernard**, Boca Raton, FL (US)

(\*\*) Term: **14 Years**

(21) Appl. No.: **29/434,836**

(22) Filed: **Oct. 17, 2012**

(51) **LOC (9) Cl.** ..... **22-06**

(52) **U.S. Cl.**  
USPC ..... **D22/122**

(58) **Field of Classification Search** ..... D22/119–124;  
43/107, 112–113, 121, 124, 131, 132.1  
See application file for complete search history.

(56) **References Cited**

U.S. PATENT DOCUMENTS

3,108,391	A	10/1963	Sipos	
6,003,266	A *	12/1999	Woodruff	43/124
6,219,960	B1 *	4/2001	Contadini et al.	43/121
D456,058	S *	4/2002	Rollins	D22/122
D495,773	S *	9/2004	Duston et al.	D22/122
7,937,886	B2	5/2011	Bernard	

\* cited by examiner

*Primary Examiner* — Catheri Oliver-Garcia

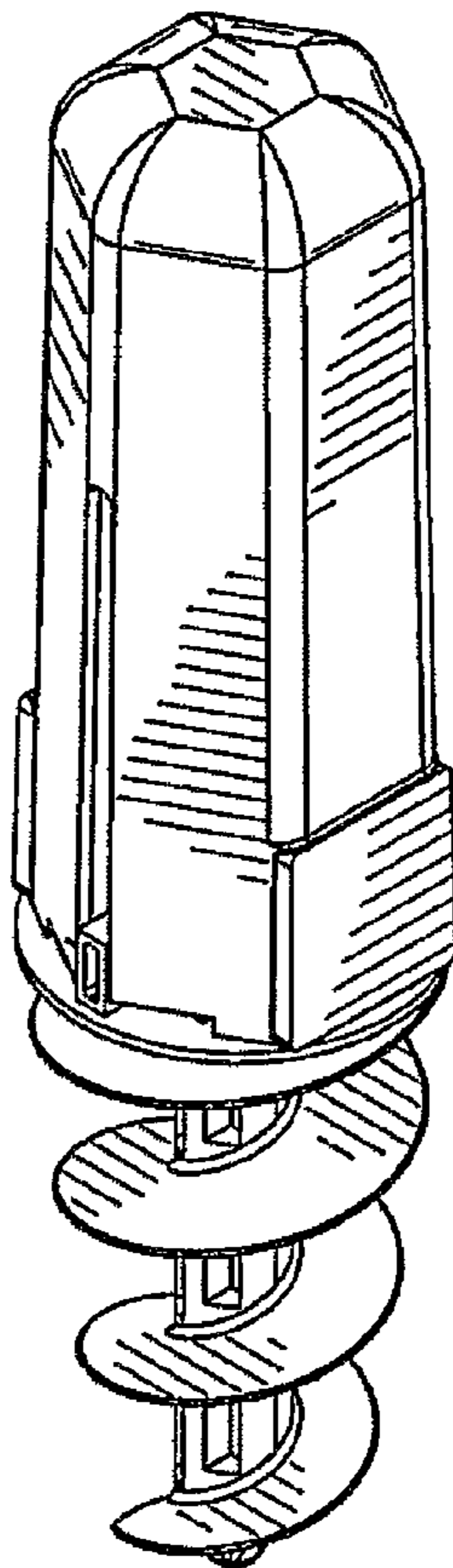
(74) *Attorney, Agent, or Firm* — Mark D. Bowen; Malin Haley DiMaggio & Bowen, P.A.

(57) **CLAIM**  
The ornamental design for an insect bait station, as shown and described.

**DESCRIPTION**

FIG. 1 is a top perspective view of an insect bait station in accordance with the present invention;  
FIG. 2 is bottom perspective view thereof;  
FIG. 3 is a front view thereof;  
FIG. 4 is a rear view thereof;  
FIG. 5 is a left side view thereof;  
FIG. 6 is a right side view thereof;  
FIG. 7 is a top view thereof;  
FIG. 8 is a bottom view thereof;  
FIG. 9 is an exploded top perspective view thereof;  
FIG. 10 is an exploded bottom perspective view thereof;  
FIG. 11 is an exploded front view thereof;  
FIG. 12 is an exploded rear view thereof;  
FIG. 13 is an exploded left side view thereof;  
FIG. 14 is an exploded right side view thereof;  
FIG. 15 is a top view of the insect bait station with the cover disposed alongside; and,  
FIG. 16 is a bottom view thereof.

**1 Claim, 8 Drawing Sheets**



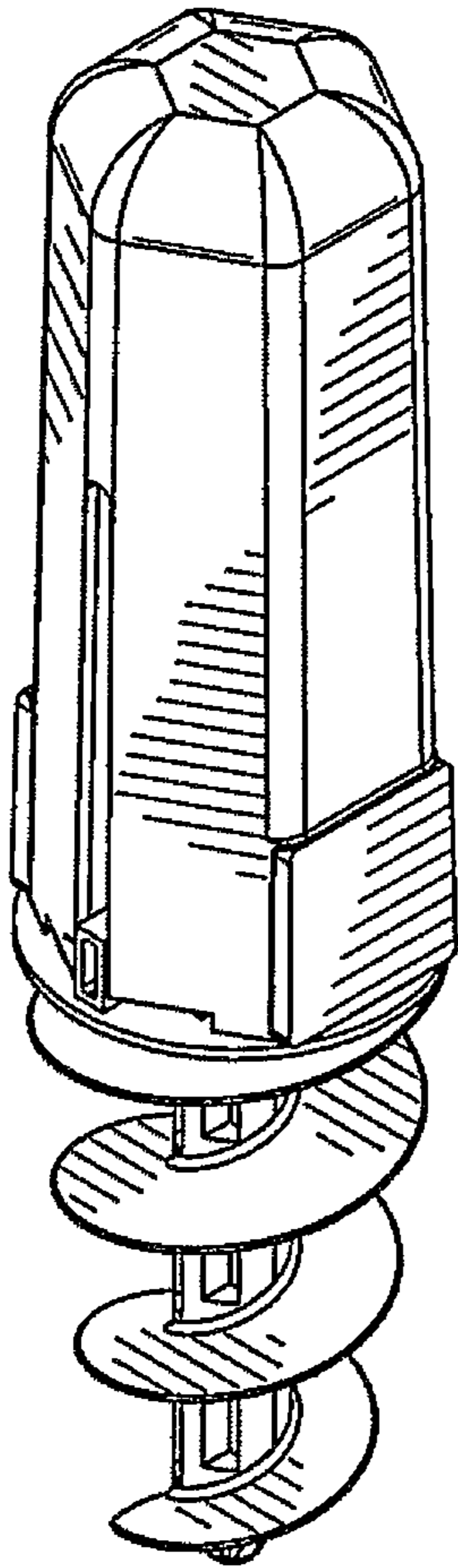


FIG. 1

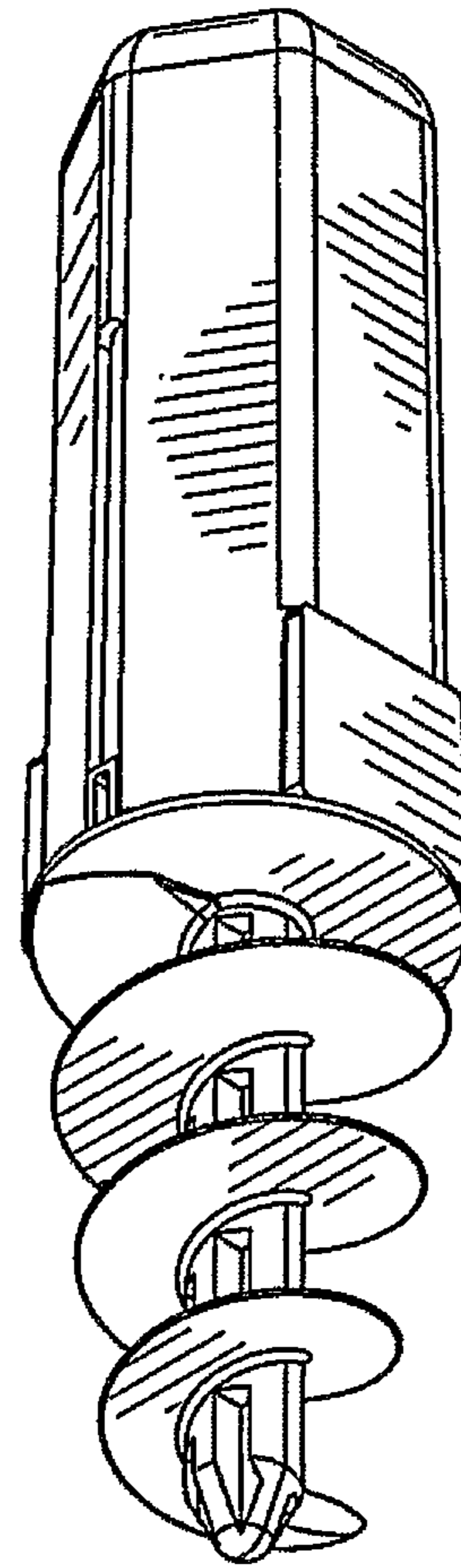


FIG. 2

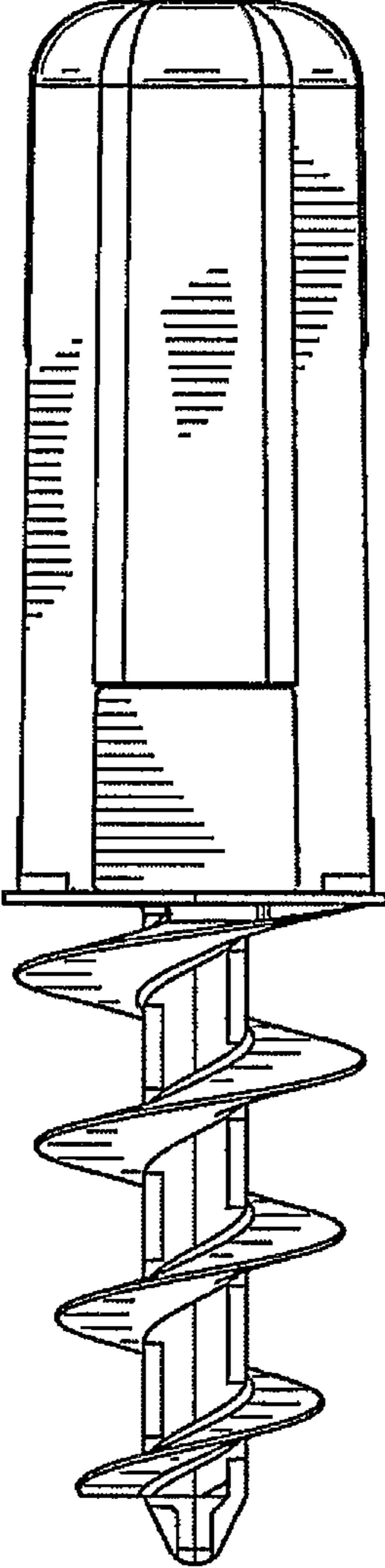


FIG. 3

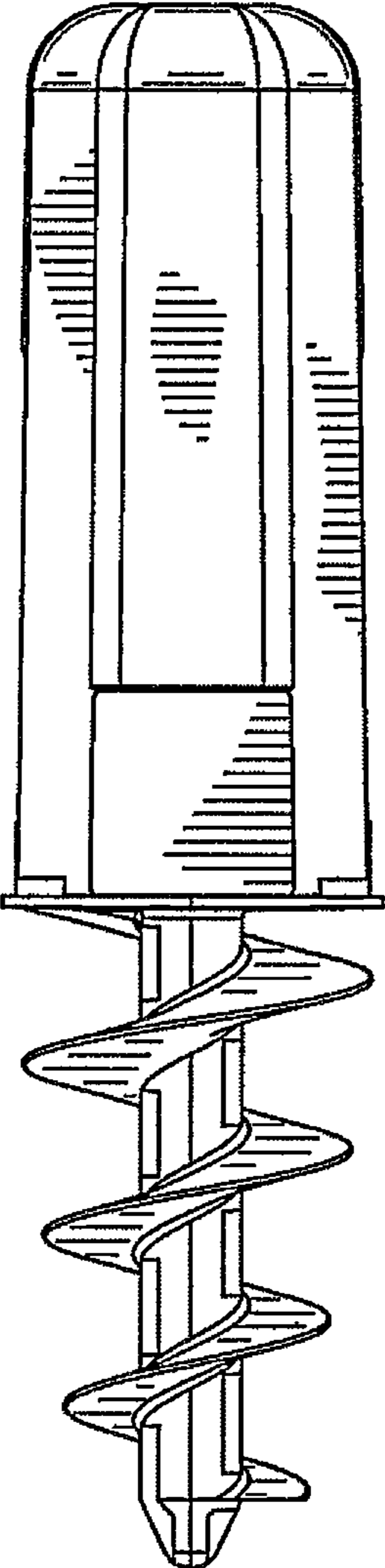


FIG. 4

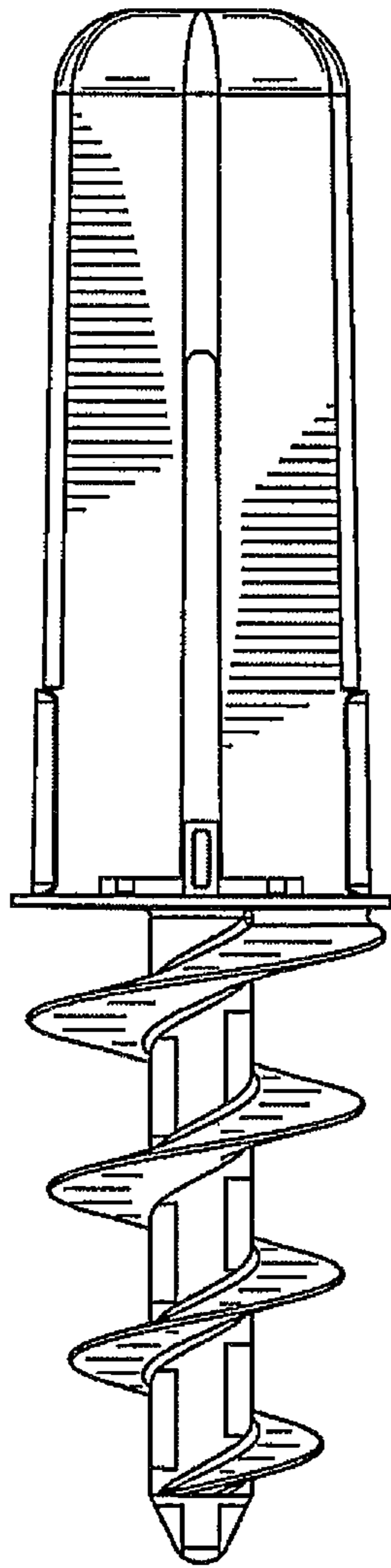


FIG. 5

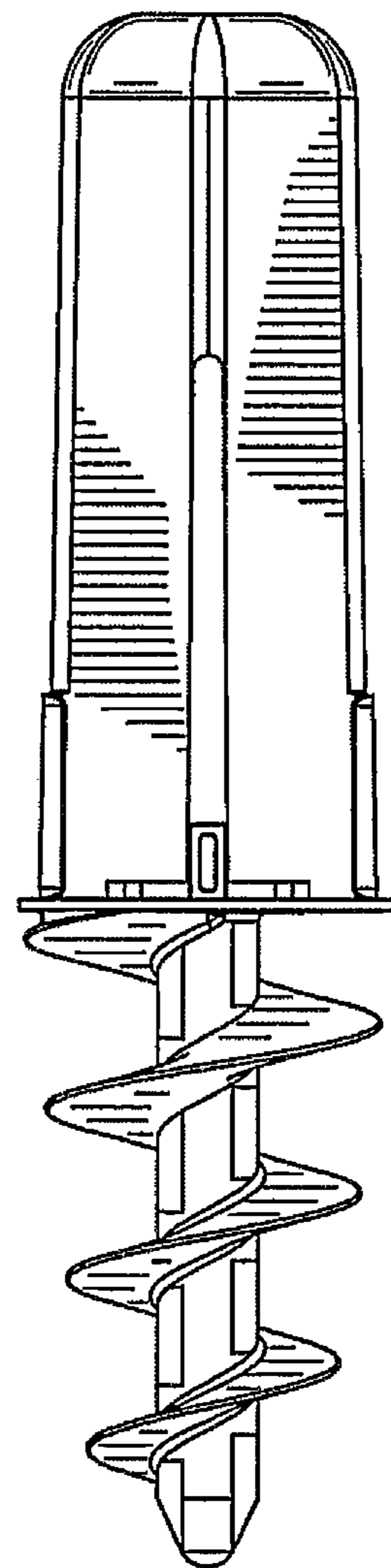


FIG. 6

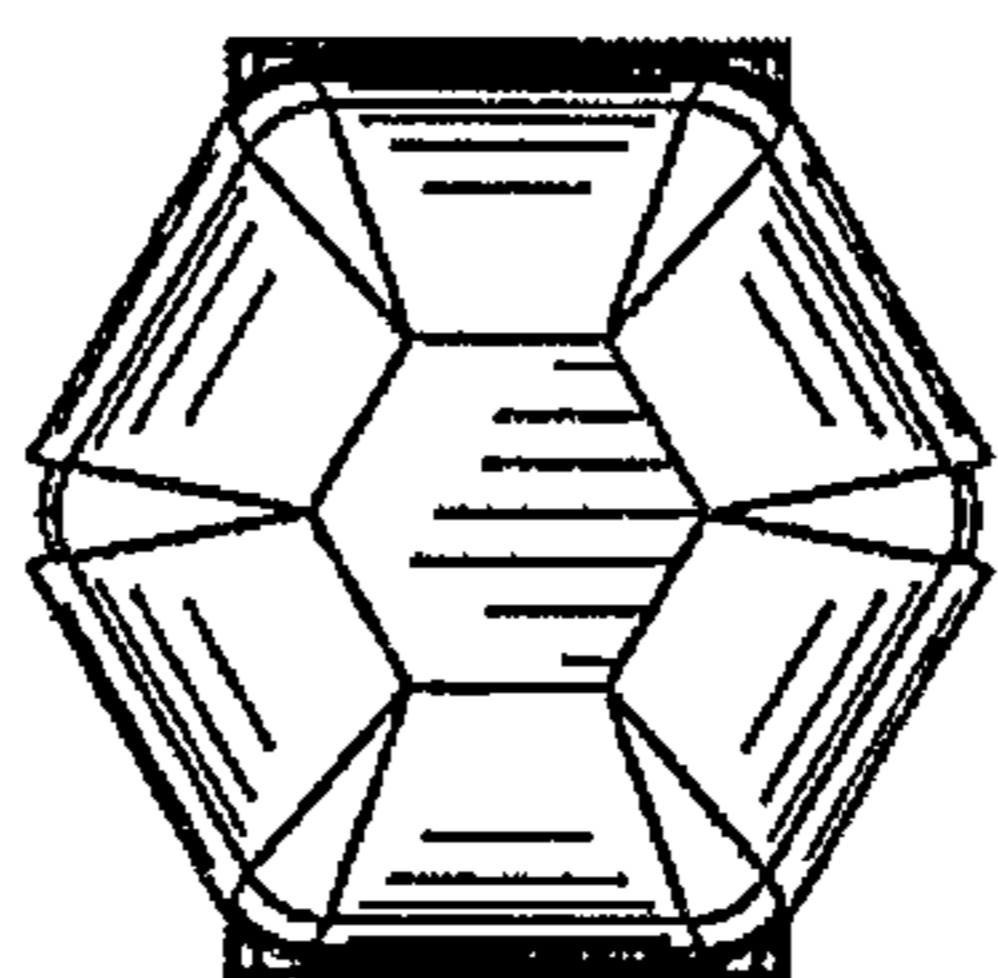


FIG. 7

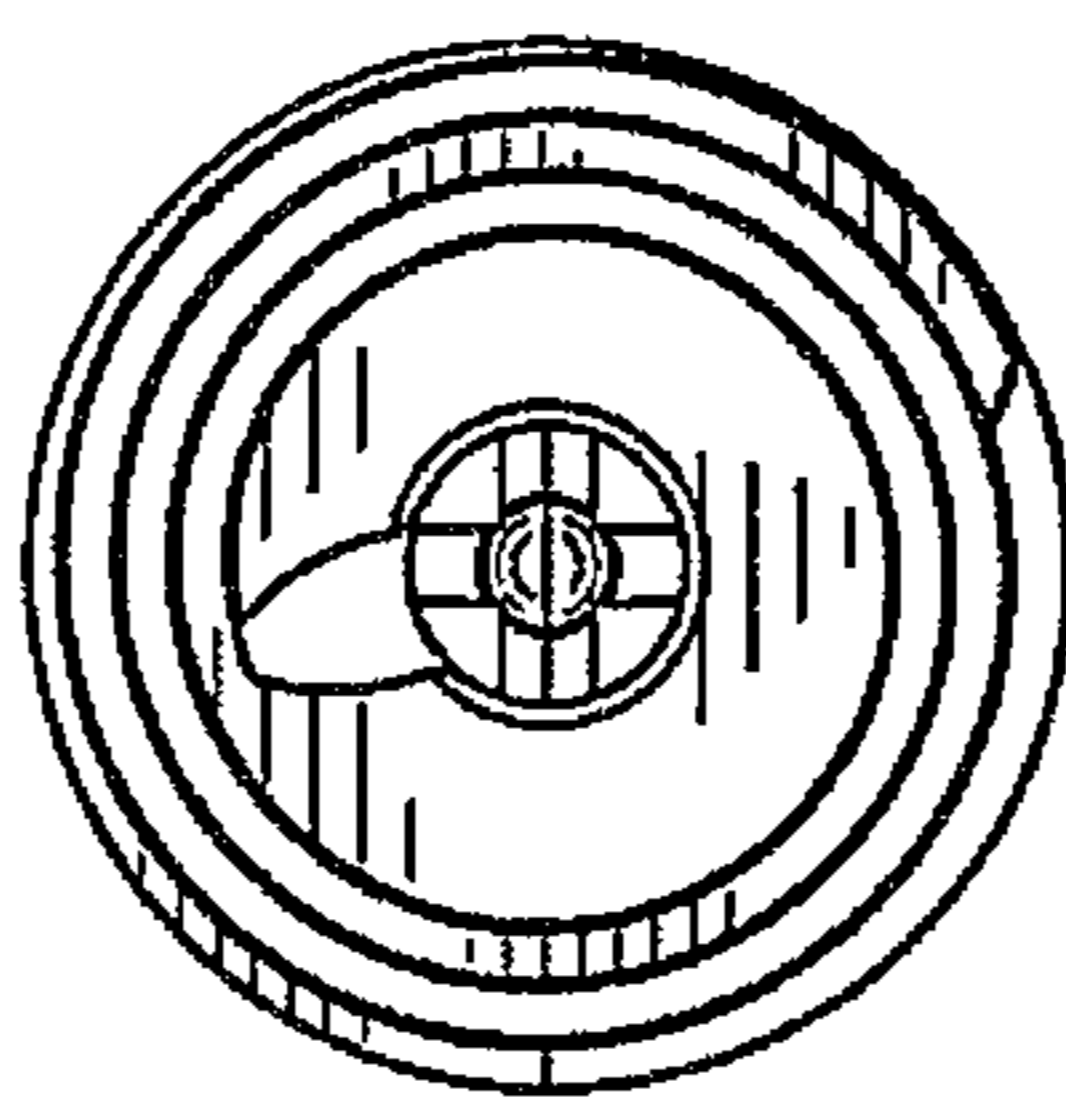


FIG. 8



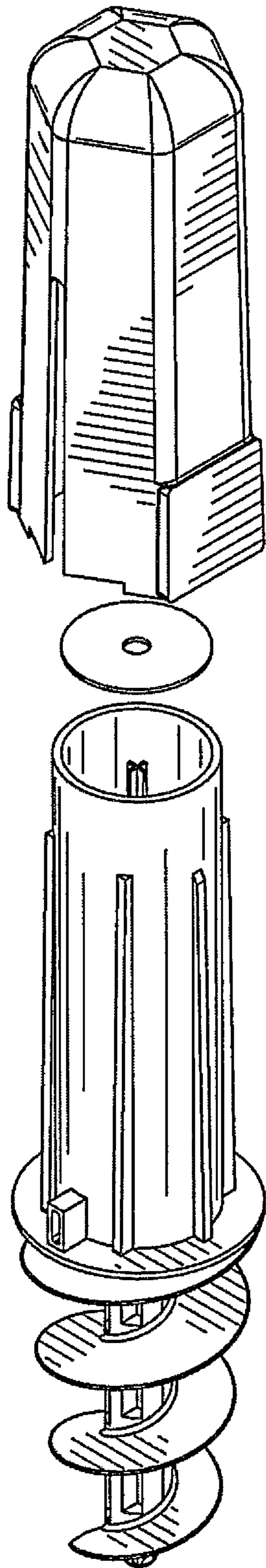


FIG. 9

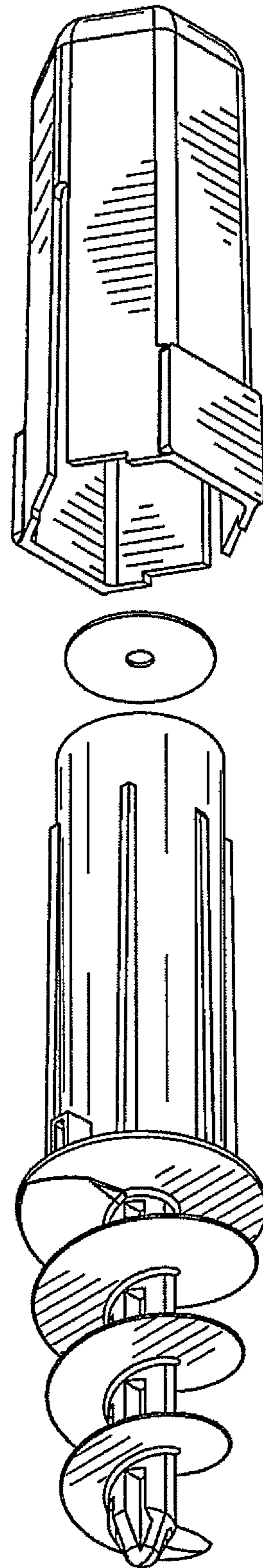


FIG. 10

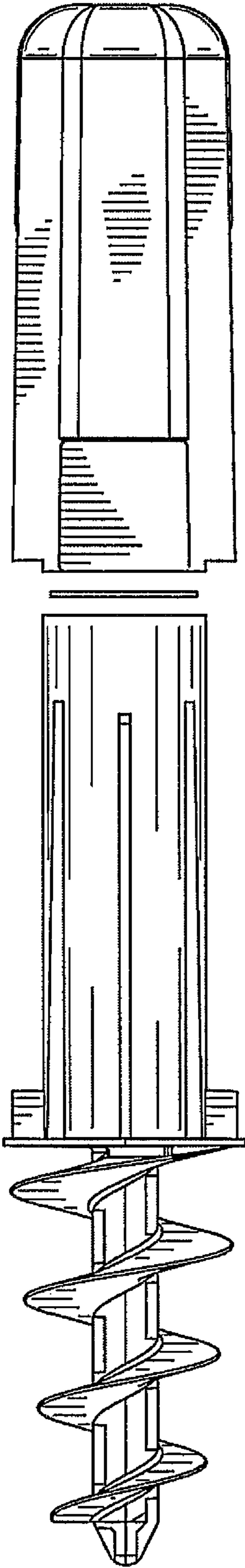


FIG. 11

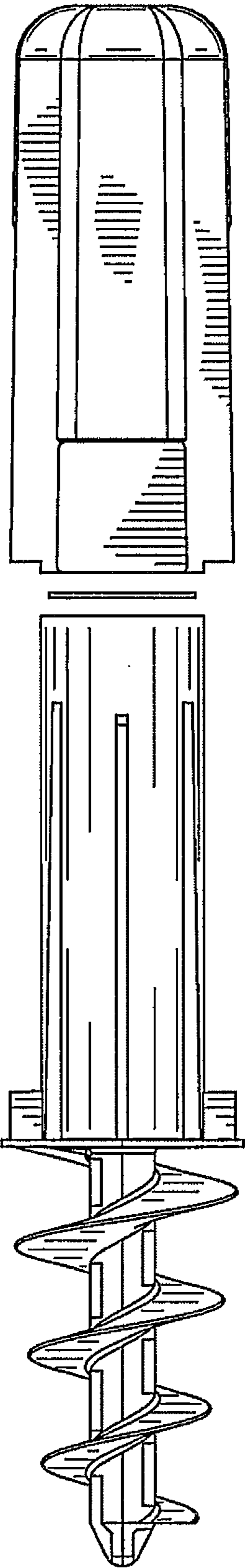


FIG. 12

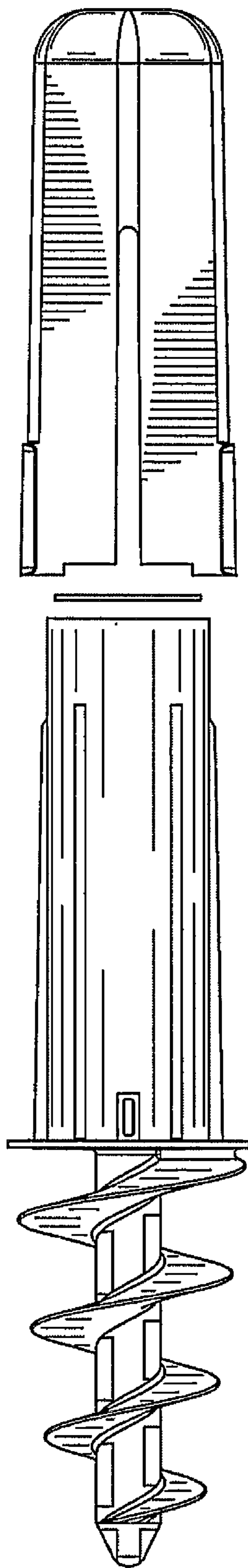


FIG. 13

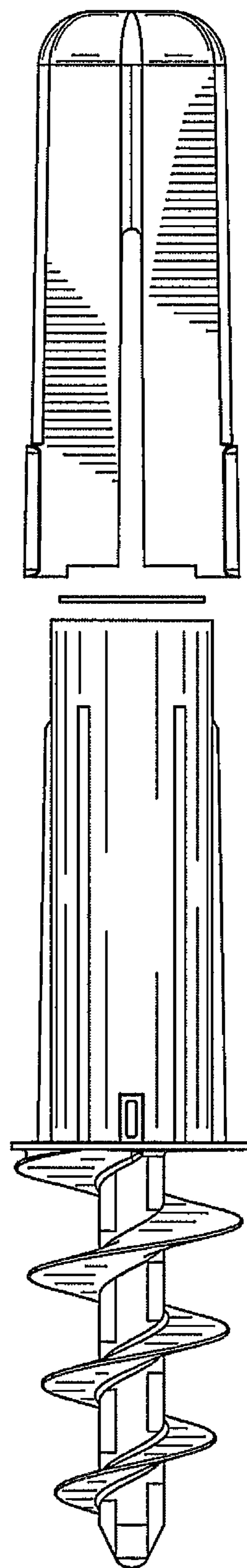


FIG. 14



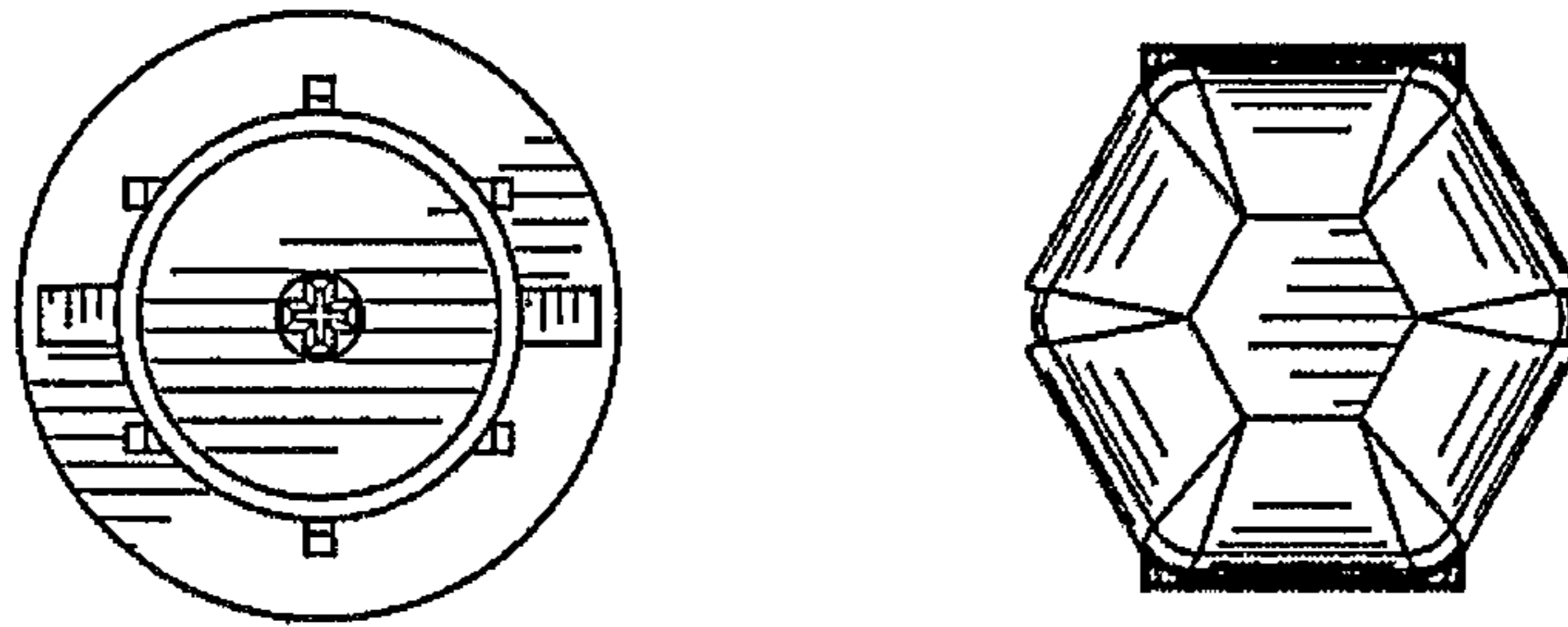


FIG. 15

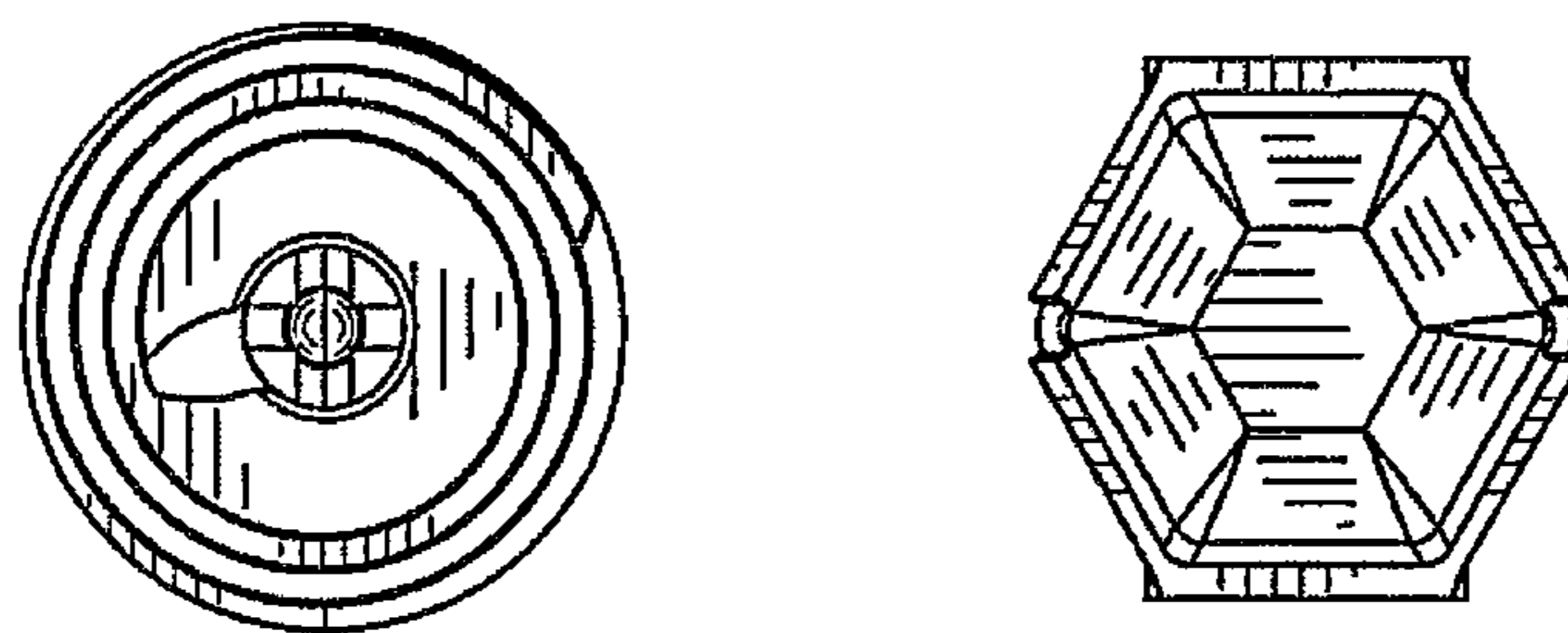


FIG. 16