



US00D682979S

(12) **United States Design Patent**
MacTavish

(10) **Patent No.:** **US D682,979 S**

(45) **Date of Patent:** **** May 21, 2013**

(54) **FLUTED SABOT**

(76) **Inventor:** **William Dirk MacTavish**, Hopkinsville,
KY (US)

(**) **Term:** **14 Years**

(21) **Appl. No.:** **29/395,351**

(22) **Filed:** **Jan. 7, 2012**

(51) **LOC (9) Cl.** **22-03**

(52) **U.S. Cl.**
USPC **D22/115**

(58) **Field of Classification Search** D22/115,
D22/116; 463/2; 102/385, 430, 439, 445,
102/501-520; 86/10, 19.5, 51-54

See application file for complete search history.

(56) **References Cited**

U.S. PATENT DOCUMENTS

D271,609	S *	11/1983	Brown	D22/116
5,160,804	A *	11/1992	Wahner et al.	102/443
5,712,445	A *	1/1998	Kassuelke et al.	102/288
6,123,289	A *	9/2000	Manole et al.	244/3.24
6,895,865	B2 *	5/2005	Bond	102/520

6,983,700	B1 *	1/2006	Malejko et al.	102/529
7,040,237	B2 *	5/2006	Tilling et al.	102/524
D566,805	S *	4/2008	Earl	D22/115
D610,224	S *	2/2010	MacTavish	D22/115
2010/0307364	A1 *	12/2010	Orlev et al.	102/364
2011/0000391	A1 *	1/2011	Heitmann	102/431

* cited by examiner

Primary Examiner — Michael A Pratt

(74) *Attorney, Agent, or Firm* — Eric R. Wandel

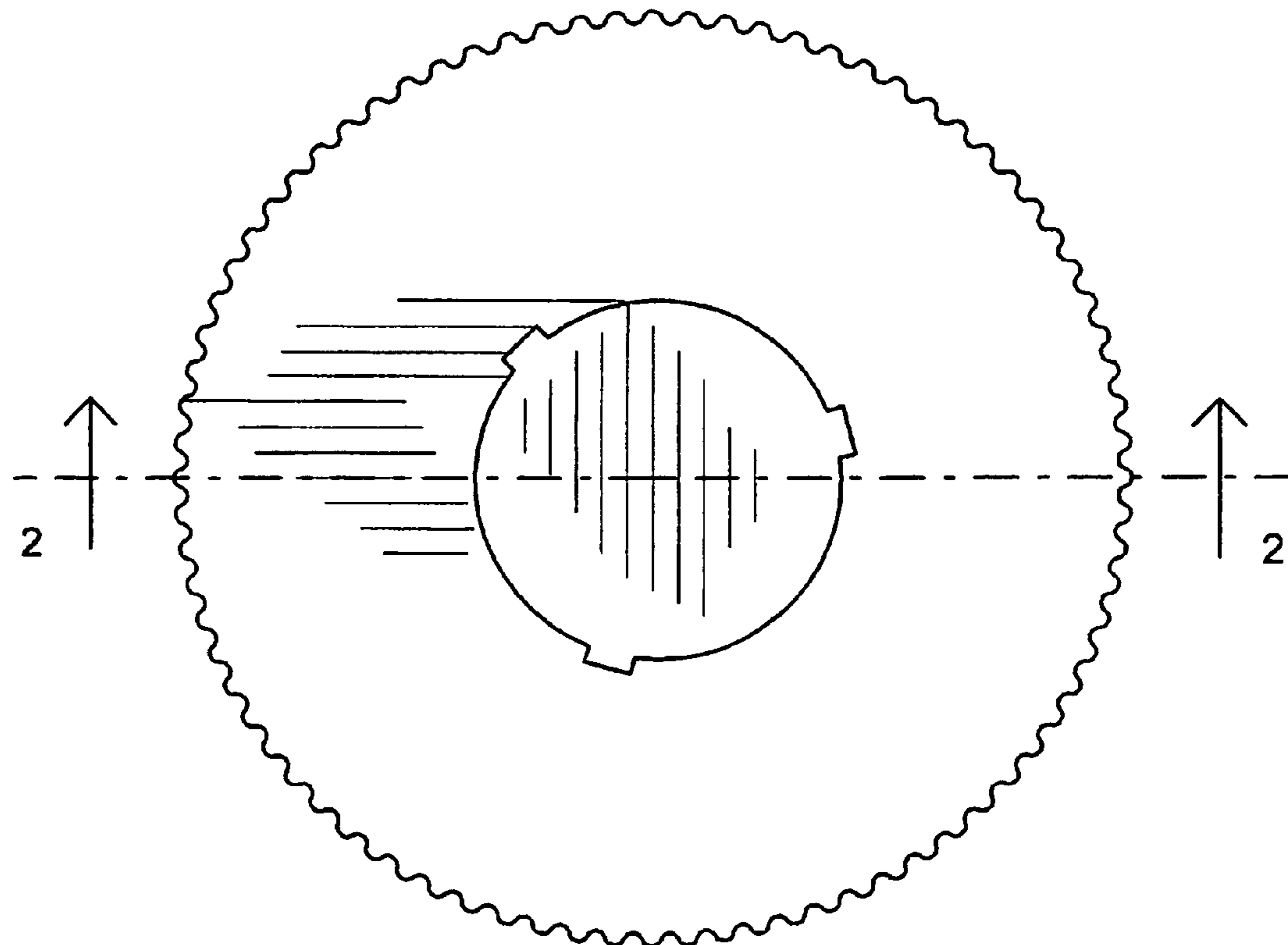
(57) **CLAIM**

The ornamental design for “fluted sabot,” as shown and described.

DESCRIPTION

FIG. 1 is a top view of the fluted sabot.
 FIG. 2 is a side cross sectional view of the fluted sabot.
 FIG. 3 is a bottom view of the fluted sabot.
 FIG. 4 is a right side view of the fluted sabot, the left side view, the front view, and the rear view being mirror images thereof; and,
 FIG. 5 is a top perspective view of the fluted sabot.

1 Claim, 3 Drawing Sheets



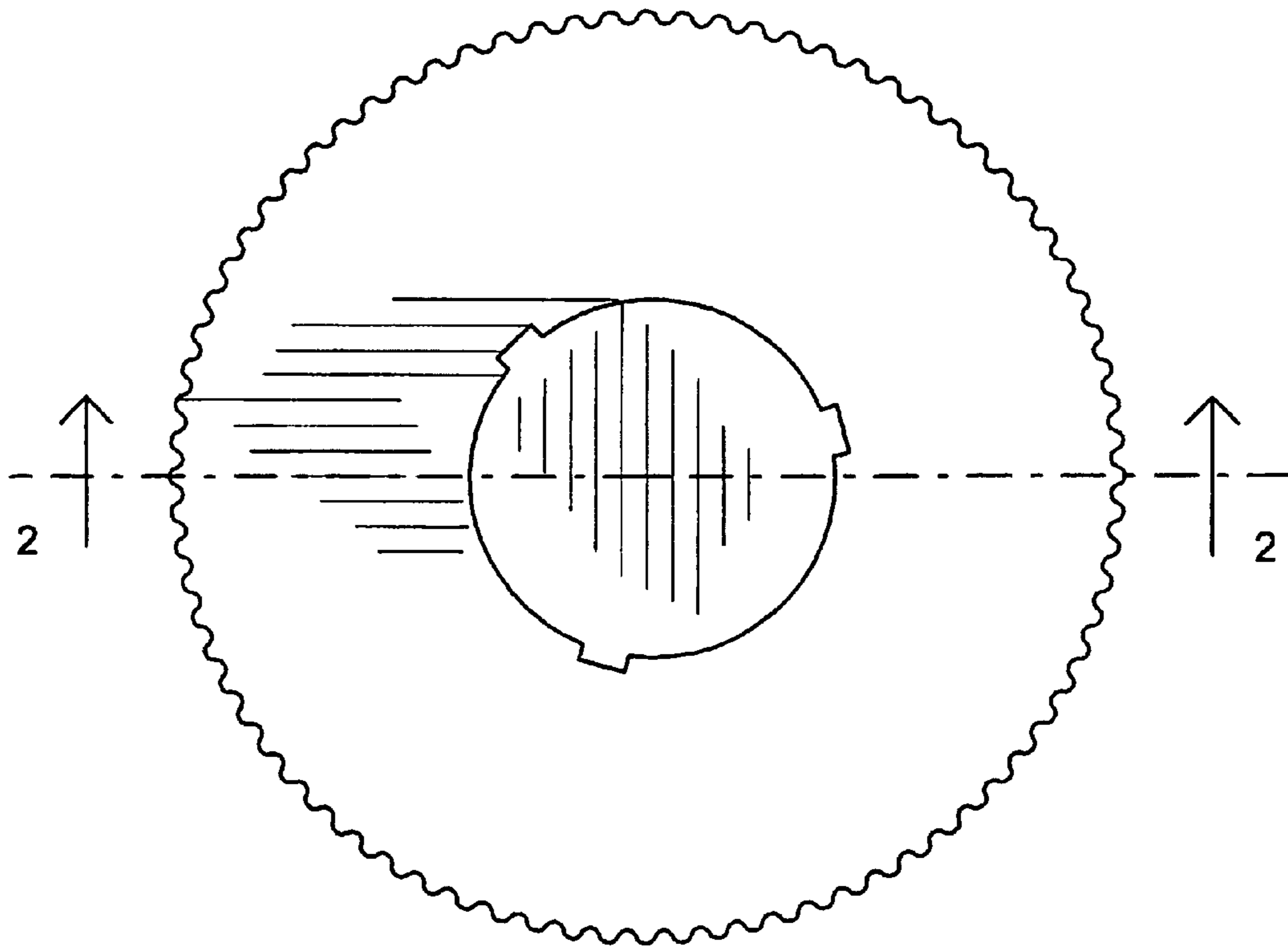


Fig. 1

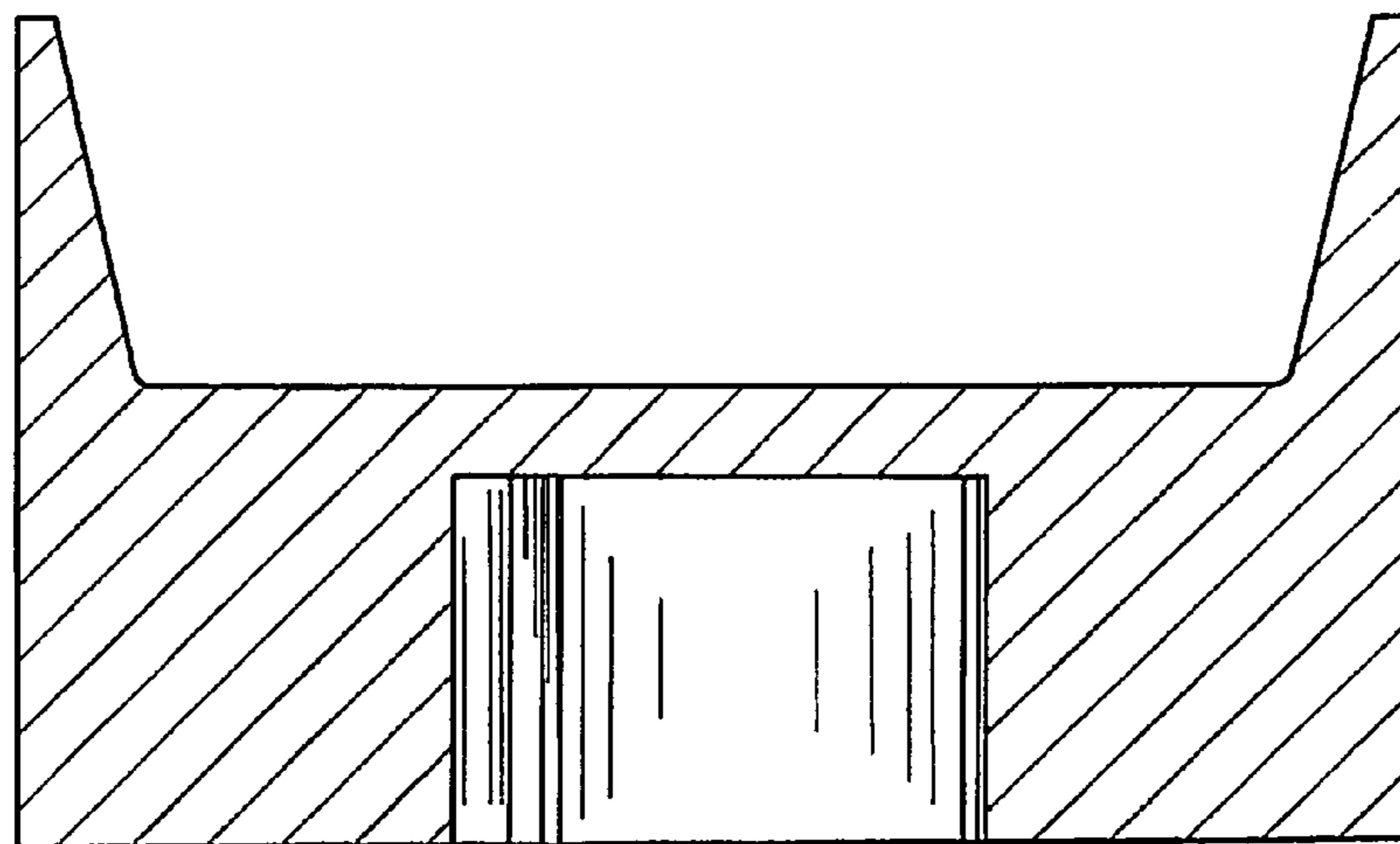


Fig. 2

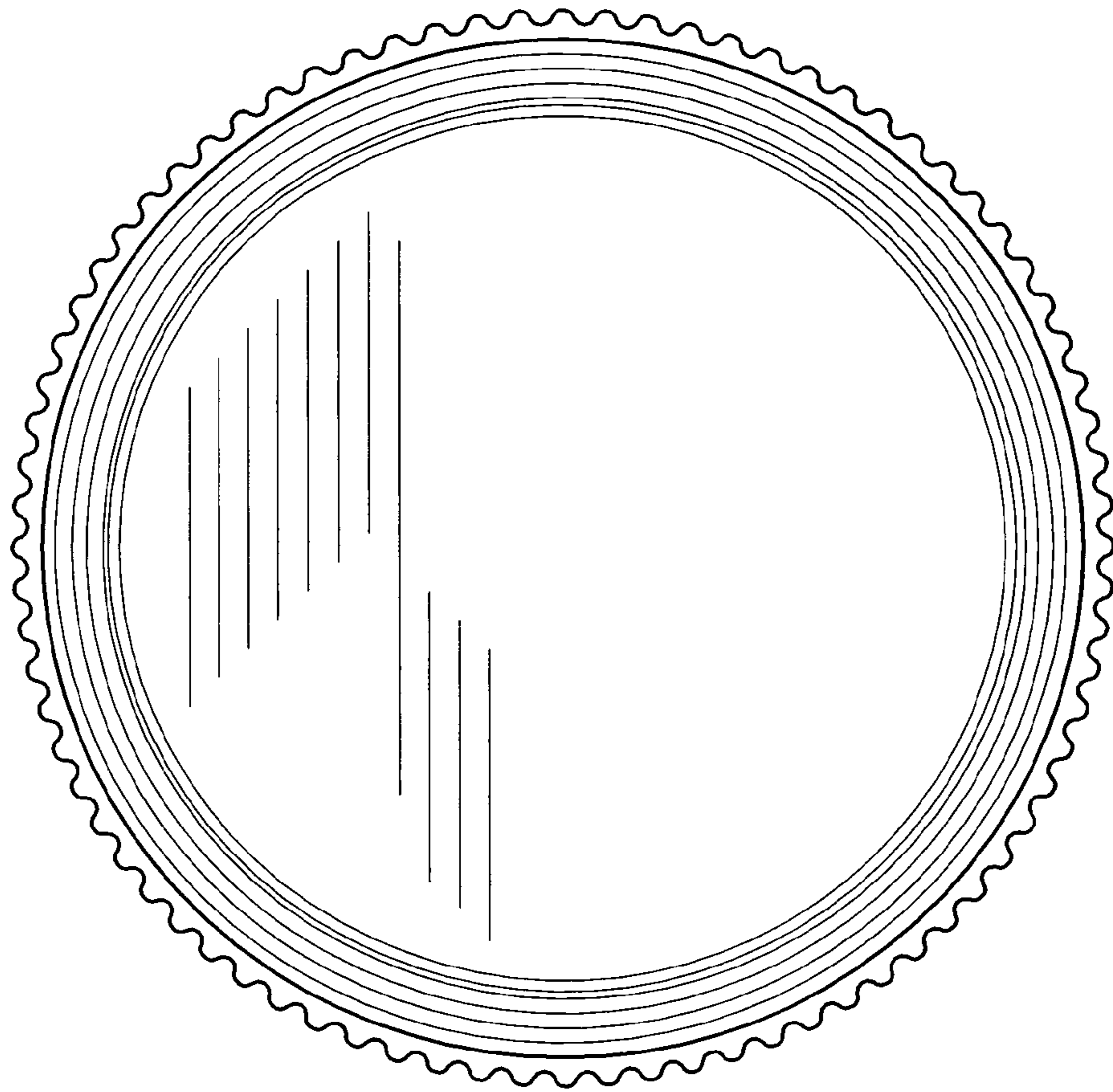


Fig. 3

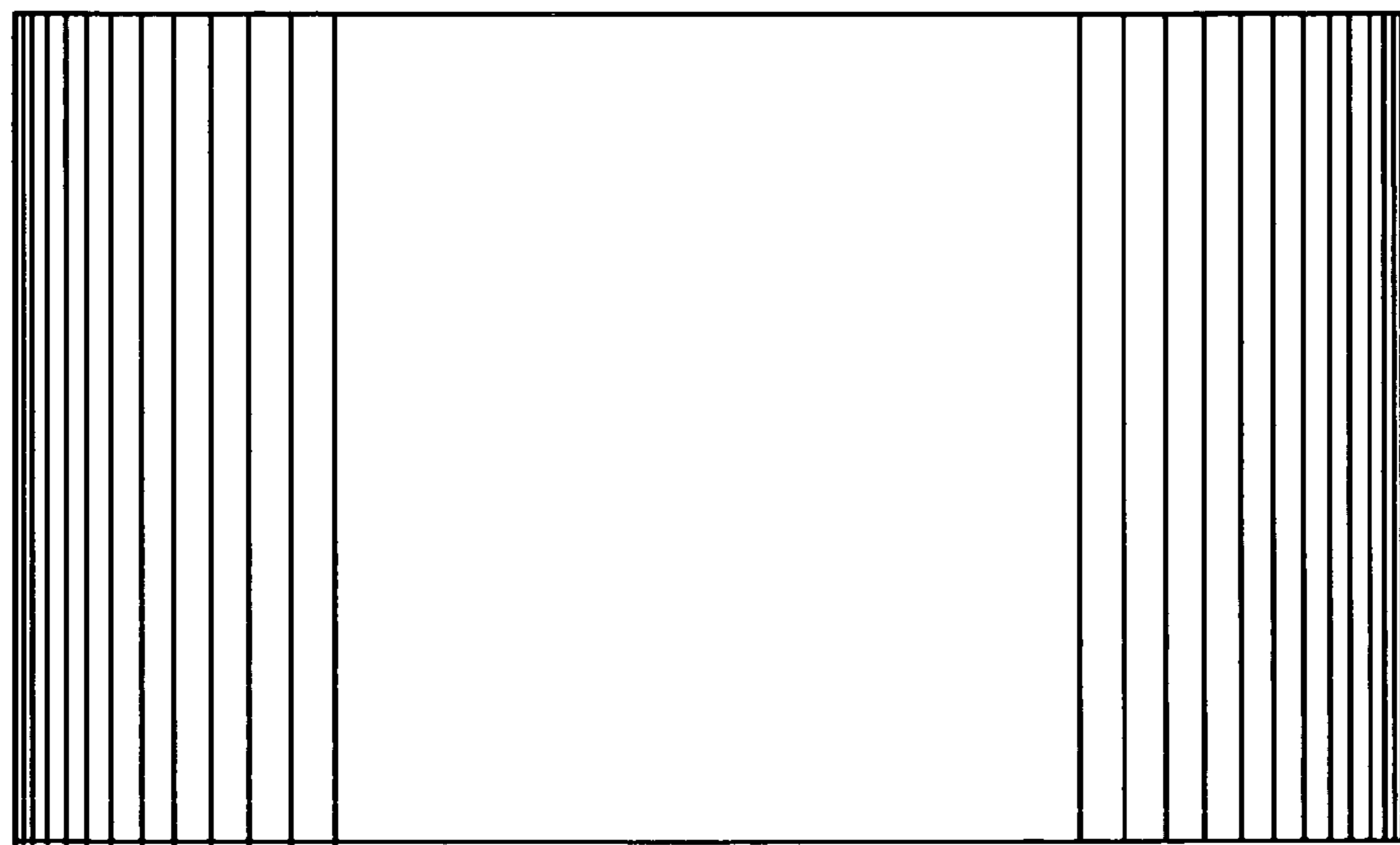


Fig. 4

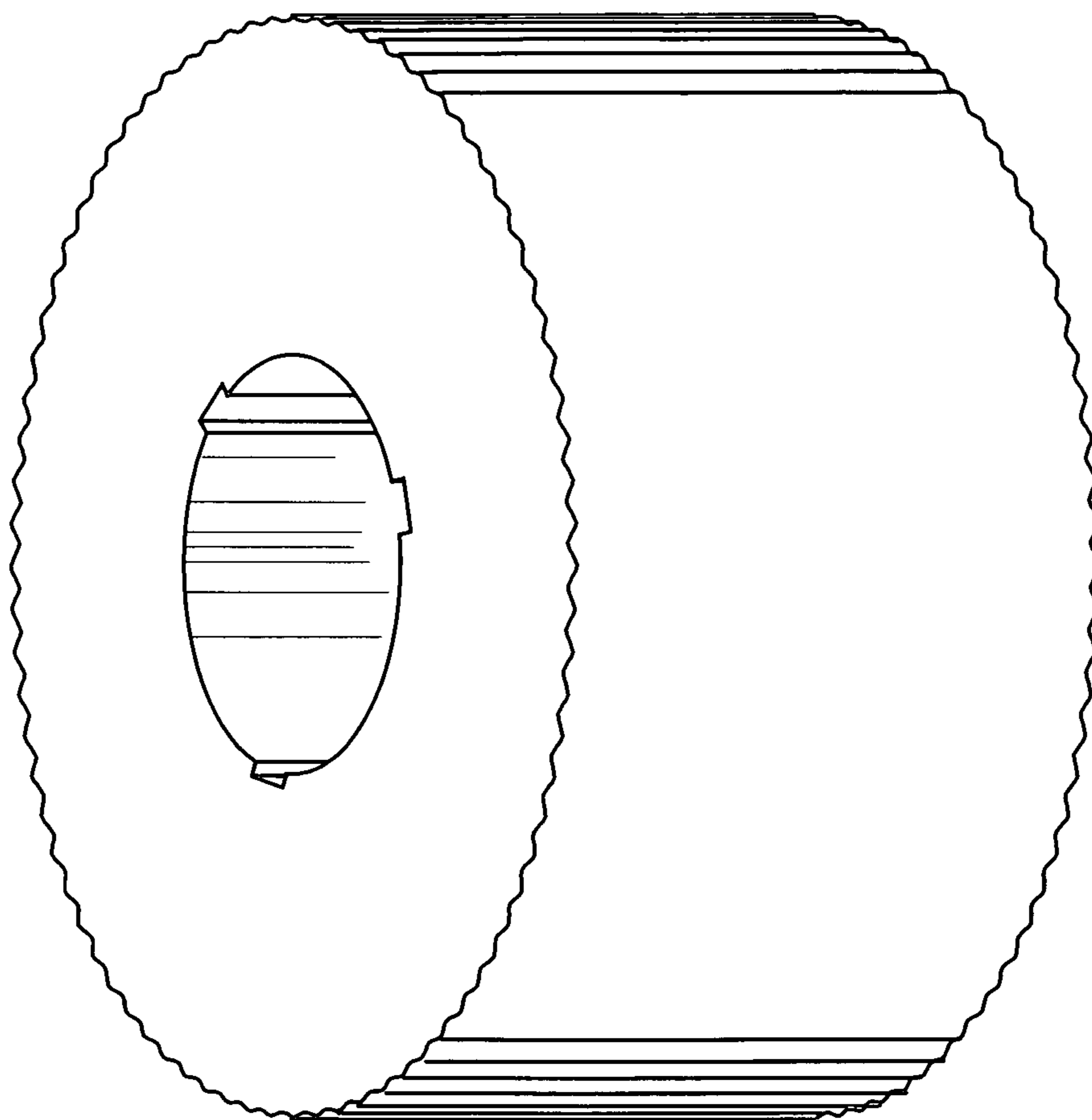


Fig. 5