



US00D682978S

(12) **United States Design Patent**  
**Benson**

(10) **Patent No.:** **US D682,978 S**  
(45) **Date of Patent:** **\*\* May 21, 2013**

(54) **CONTAINER FOR EXPLOSIVES**  
(76) Inventor: **Mark Benson**, San Diego, CA (US)  
(\*\*) Term: **14 Years**  
(21) Appl. No.: **29/408,888**  
(22) Filed: **Dec. 17, 2011**  
(51) **LOC (9) Cl.** ..... **22-03**  
(52) **U.S. Cl.**  
USPC ..... **D22/112**  
(58) **Field of Classification Search** ..... D22/112,  
D22/119; 102/395, 529, 368, 369, 363; D29/128;  
D9/414, 432-433; 86/50; 215/1 R, 1 C;  
220/23.87-500  
See application file for complete search history.

(56) **References Cited**  
**U.S. PATENT DOCUMENTS**  
2,108,818 A \* 2/1938 Huff et al. .... 102/395  
3,264,996 A \* 8/1966 Rimar ..... 102/449  
D207,128 S \* 3/1967 Kelly ..... D9/528  
D248,830 S \* 8/1978 Anderson ..... D9/523  
D269,948 S \* 8/1983 Janssen ..... D9/523  
D413,200 S \* 8/1999 Baker ..... D3/23  
D433,635 S \* 11/2000 Chrisco et al. .... D9/527  
D483,269 S \* 12/2003 Walsh et al. .... D9/522  
D485,494 S \* 1/2004 Walsh et al. .... D9/529  
D487,018 S \* 2/2004 Walsh et al. .... D9/530  
D491,467 S \* 6/2004 Walsh et al. .... D9/522  
D500,679 S \* 1/2005 Walsh et al. .... D9/522  
D605,048 S \* 12/2009 Smith, III ..... D9/523  
D641,246 S \* 7/2011 Maas et al. .... D9/543  
D670,355 S \* 11/2012 Zimmerman ..... D23/211.2  
2007/0214948 A1 \* 9/2007 Centrone ..... 86/20.1  
2012/0079959 A1 \* 4/2012 Chen et al. .... 102/530  
2012/0210905 A1 \* 8/2012 Hanano et al. .... 102/530

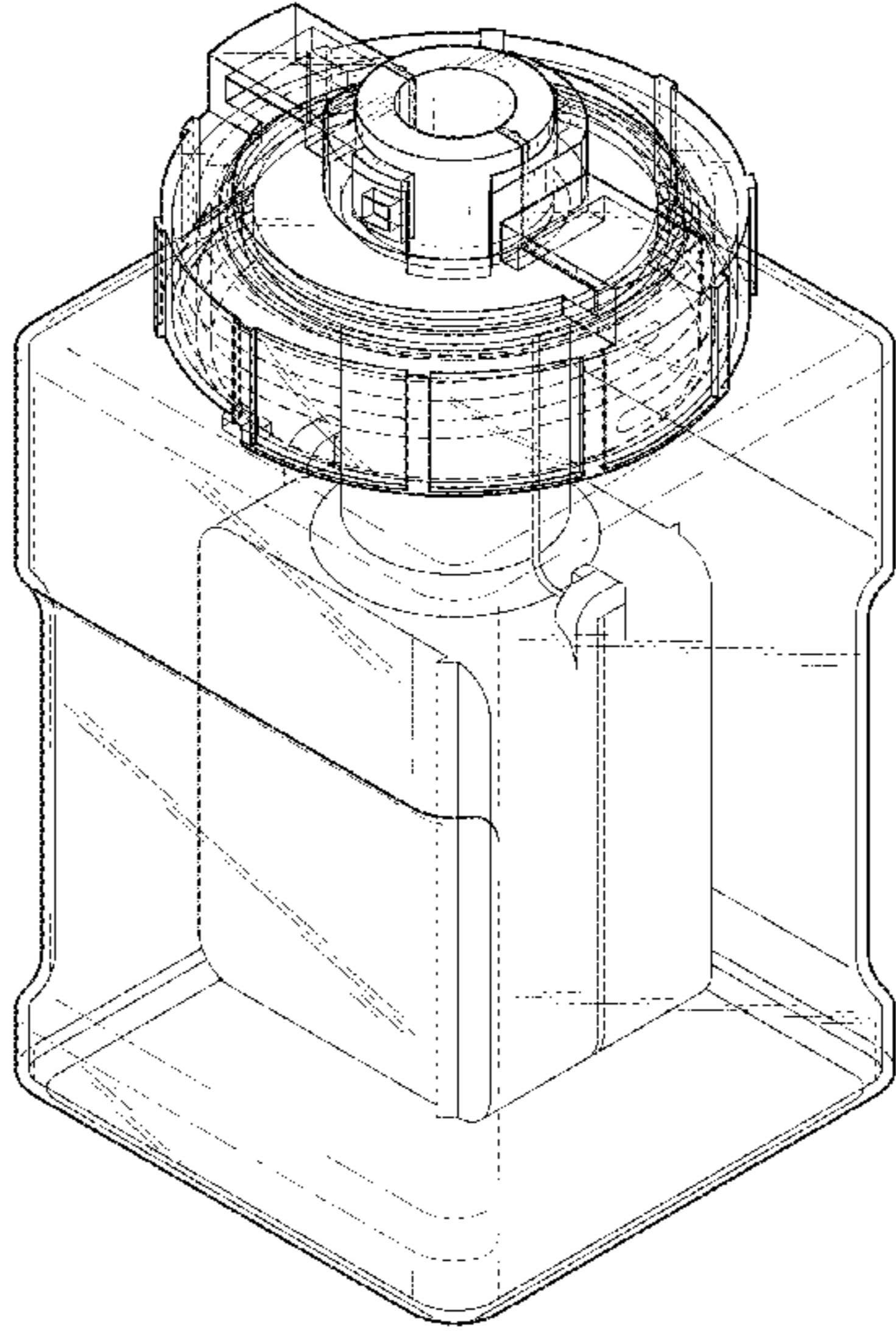
\* cited by examiner

*Primary Examiner* — Michael A Pratt  
(74) *Attorney, Agent, or Firm* — Birch, Stewart, Kolasch & Birch, LLP

(57) **CLAIM**  
The ornamental design for a container for explosives, as shown and described.

**DESCRIPTION**  
FIG. 1 is a perspective view of the complete container for explosives showing my new design;  
FIG. 2 is a front view thereof;  
FIG. 3 is a left view thereof;  
FIG. 4 is a rear side view thereof;  
FIG. 5 is a right side view thereof;  
FIG. 6 is a top plan view thereof;  
FIG. 7 is a bottom plan view thereof;  
FIG. 8 is a perspective view of the closure for the container for explosives;  
FIG. 9 is a front view thereof;  
FIG. 10 is a left view thereof;  
FIG. 11 is a rear side view thereof;  
FIG. 12 is a right side view thereof;  
FIG. 13 is a top plan view thereof;  
FIG. 14 is a bottom plan view thereof;  
FIG. 15 is a perspective view of the inner container;  
FIG. 16 is a front view thereof;  
FIG. 17 is a left view thereof;  
FIG. 18 is a rear side view thereof;  
FIG. 19 is a right side view thereof;  
FIG. 20 is a top plan view thereof;  
FIG. 21 is a bottom plan view thereof;  
FIG. 22 is a perspective view of the outer container;  
FIG. 23 is a front view thereof;  
FIG. 24 is a left view thereof;  
FIG. 25 is a rear side view thereof;  
FIG. 26 is a right side view thereof;  
FIG. 27 is a top plan view thereof; and,  
FIG. 28 is a bottom plan view thereof.  
The broken line showing is for illustrative purposes only and forms no part of the claimed design.

**1 Claim, 22 Drawing Sheets**



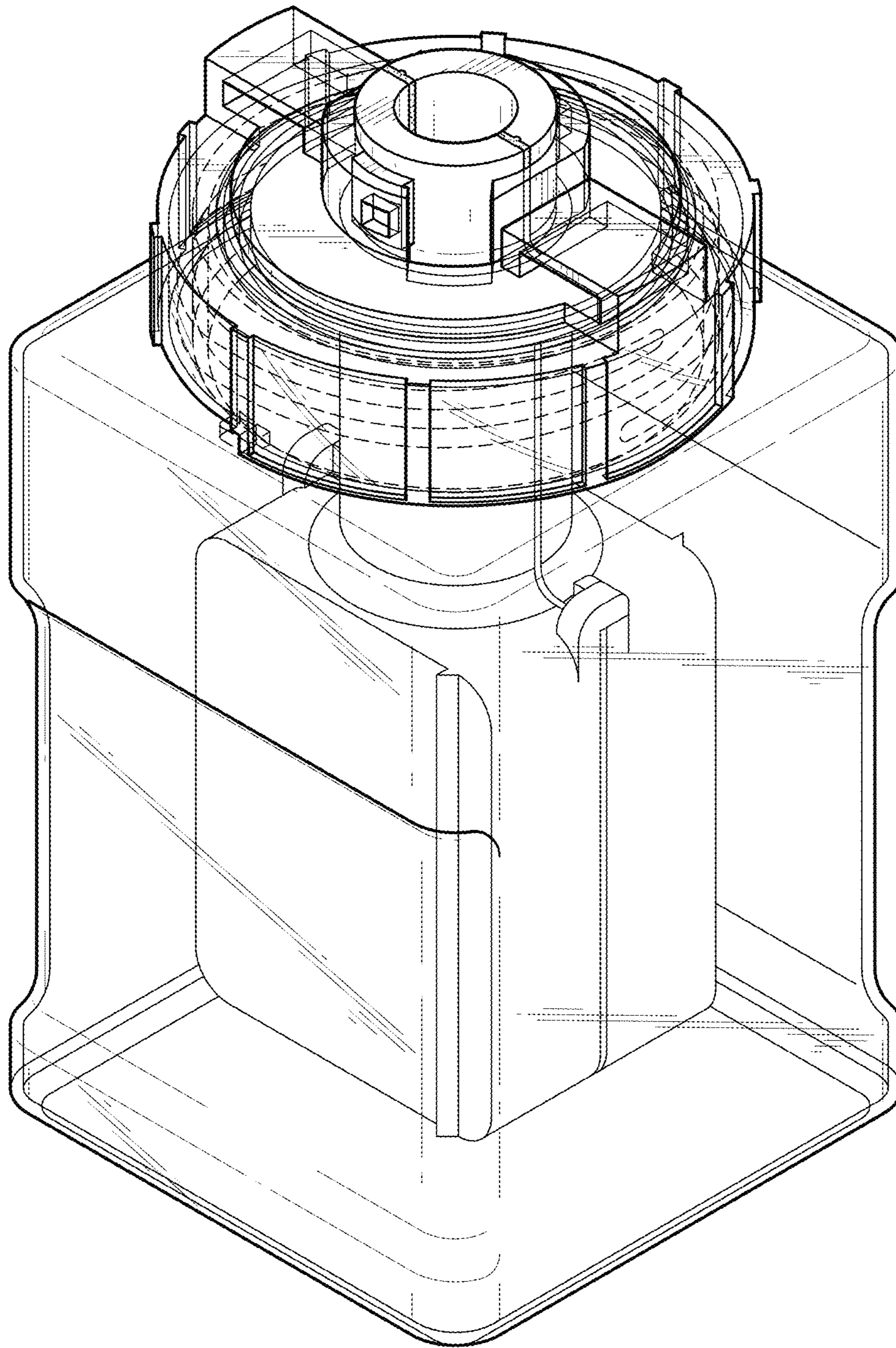


FIG.1

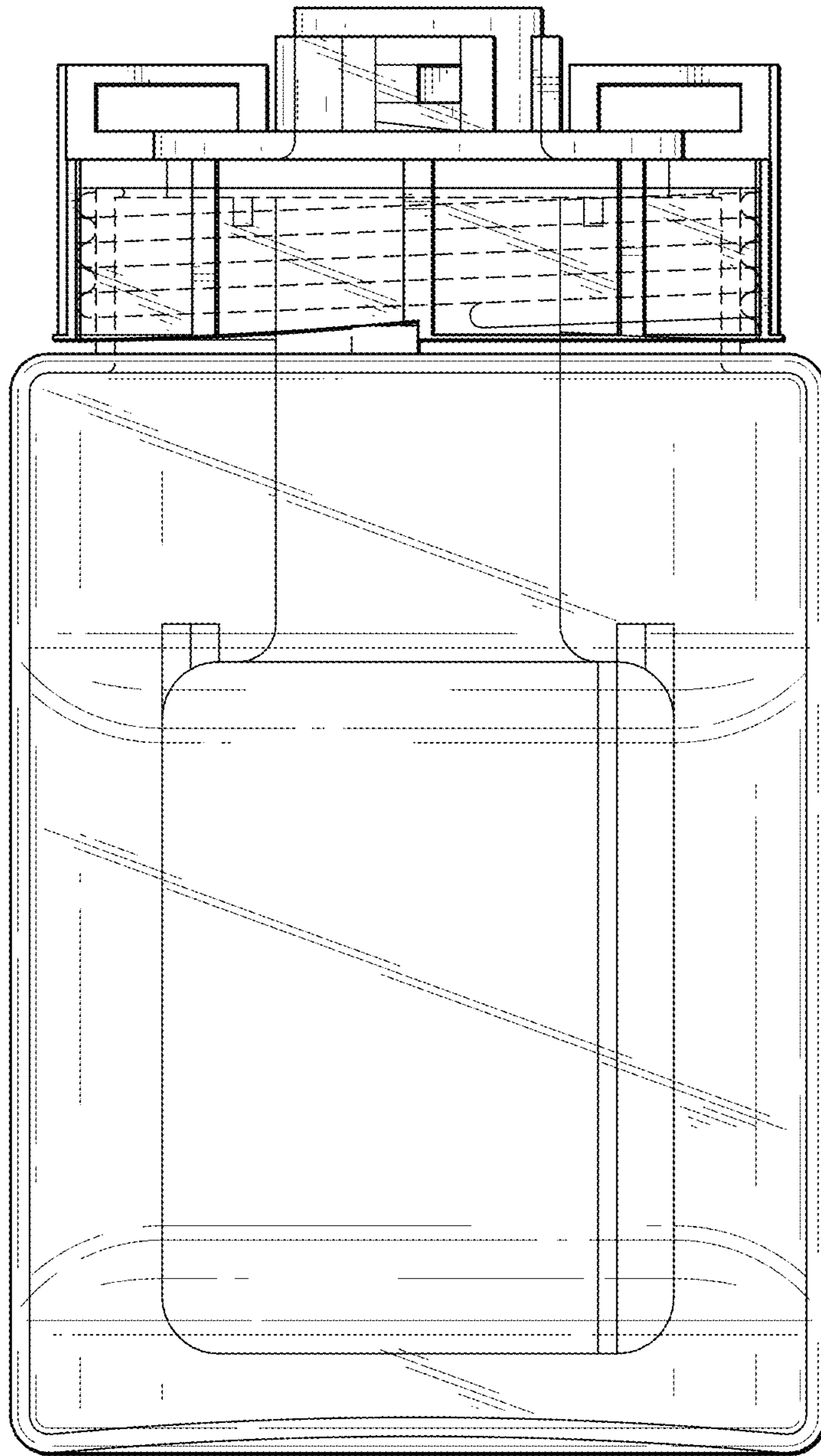


FIG.2

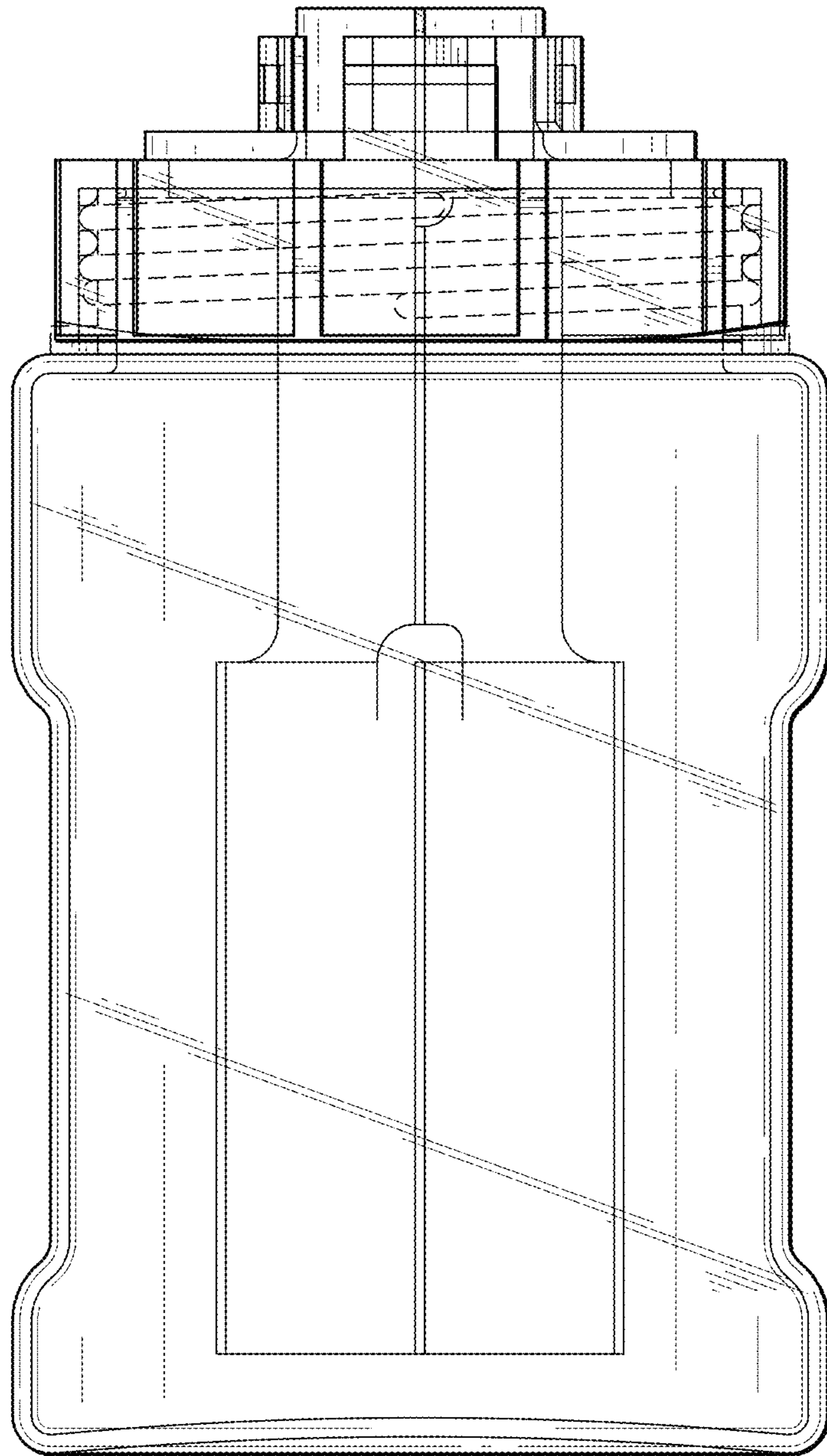


FIG.3

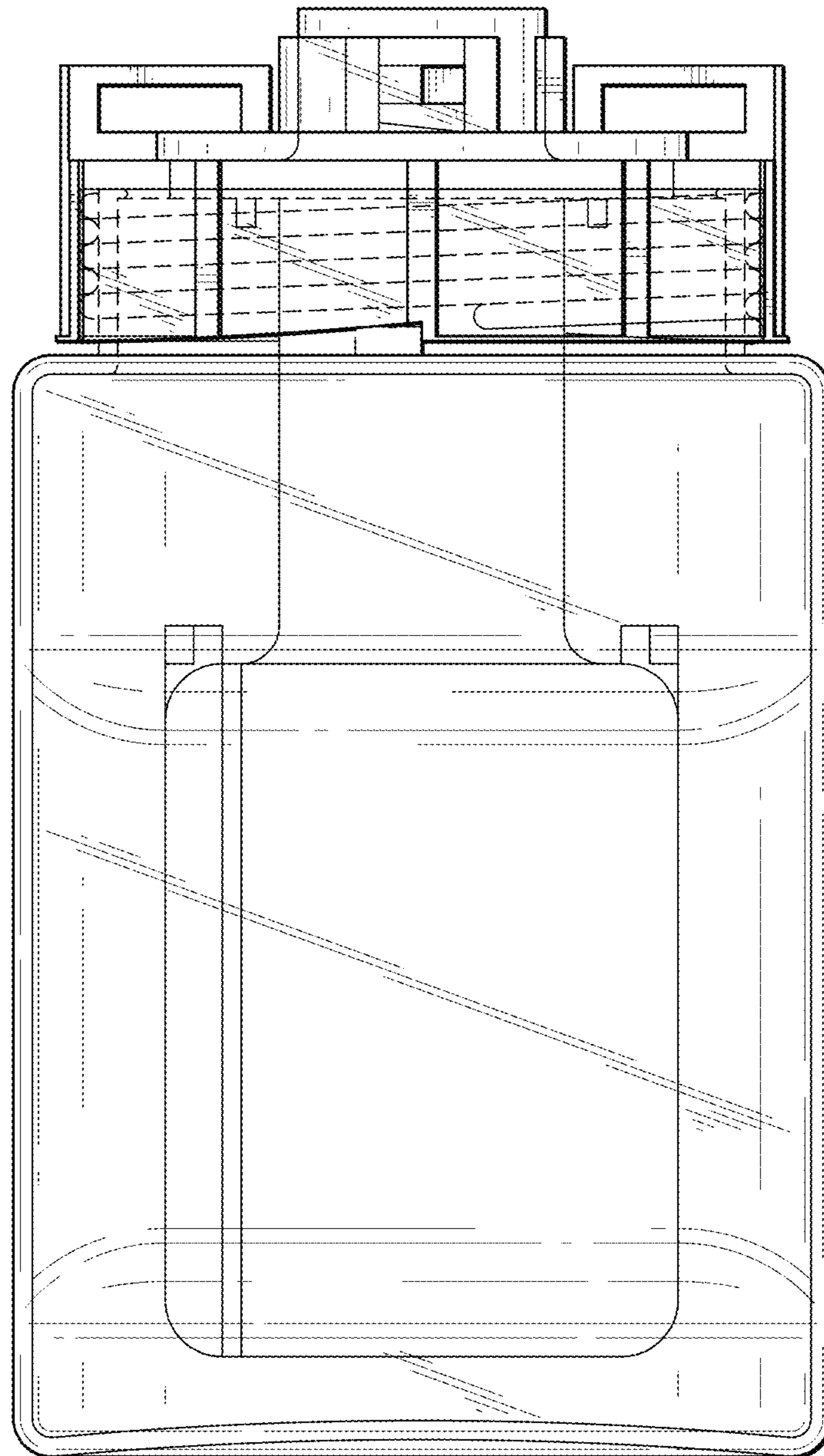


FIG. 4

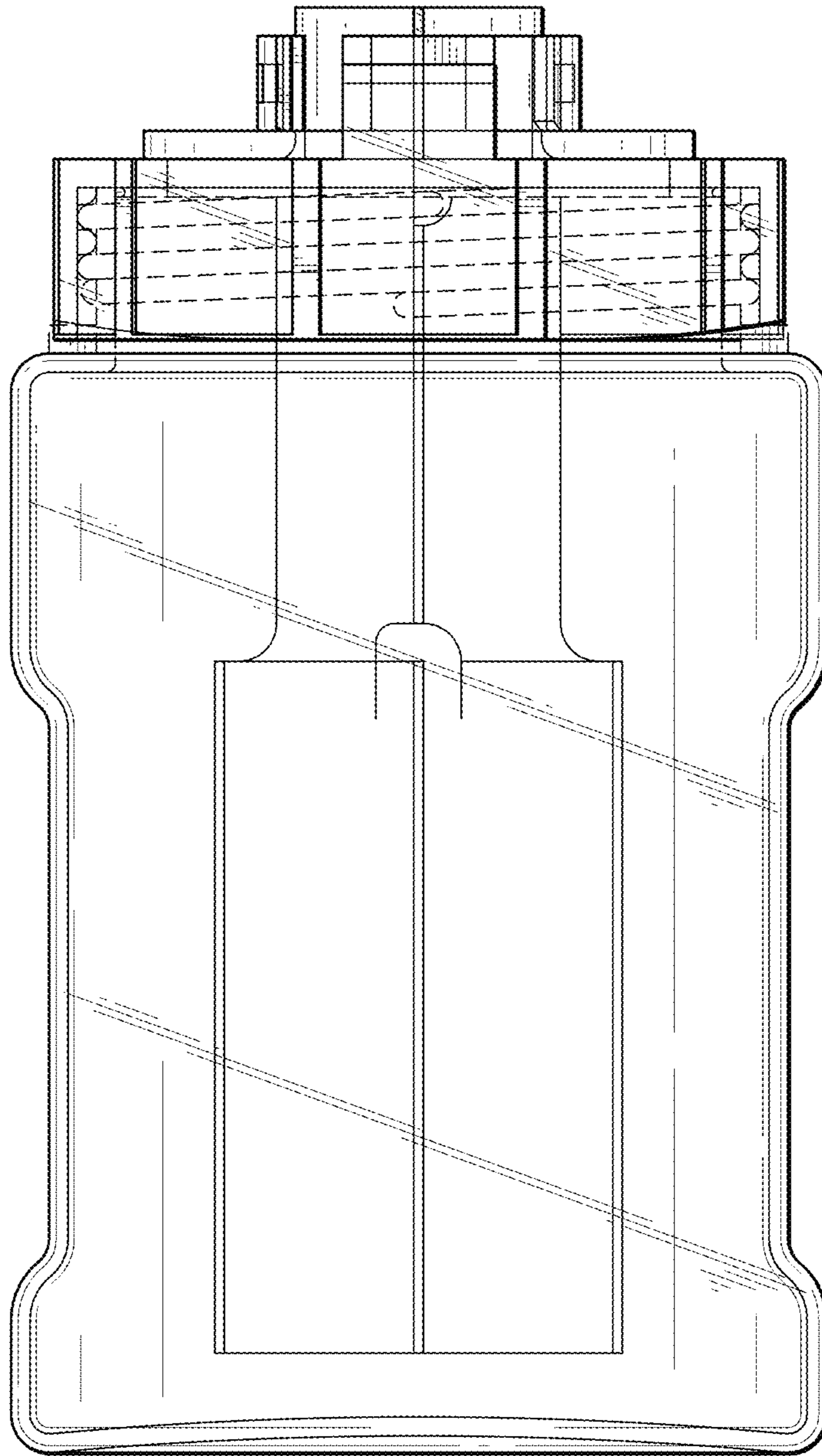


FIG. 5

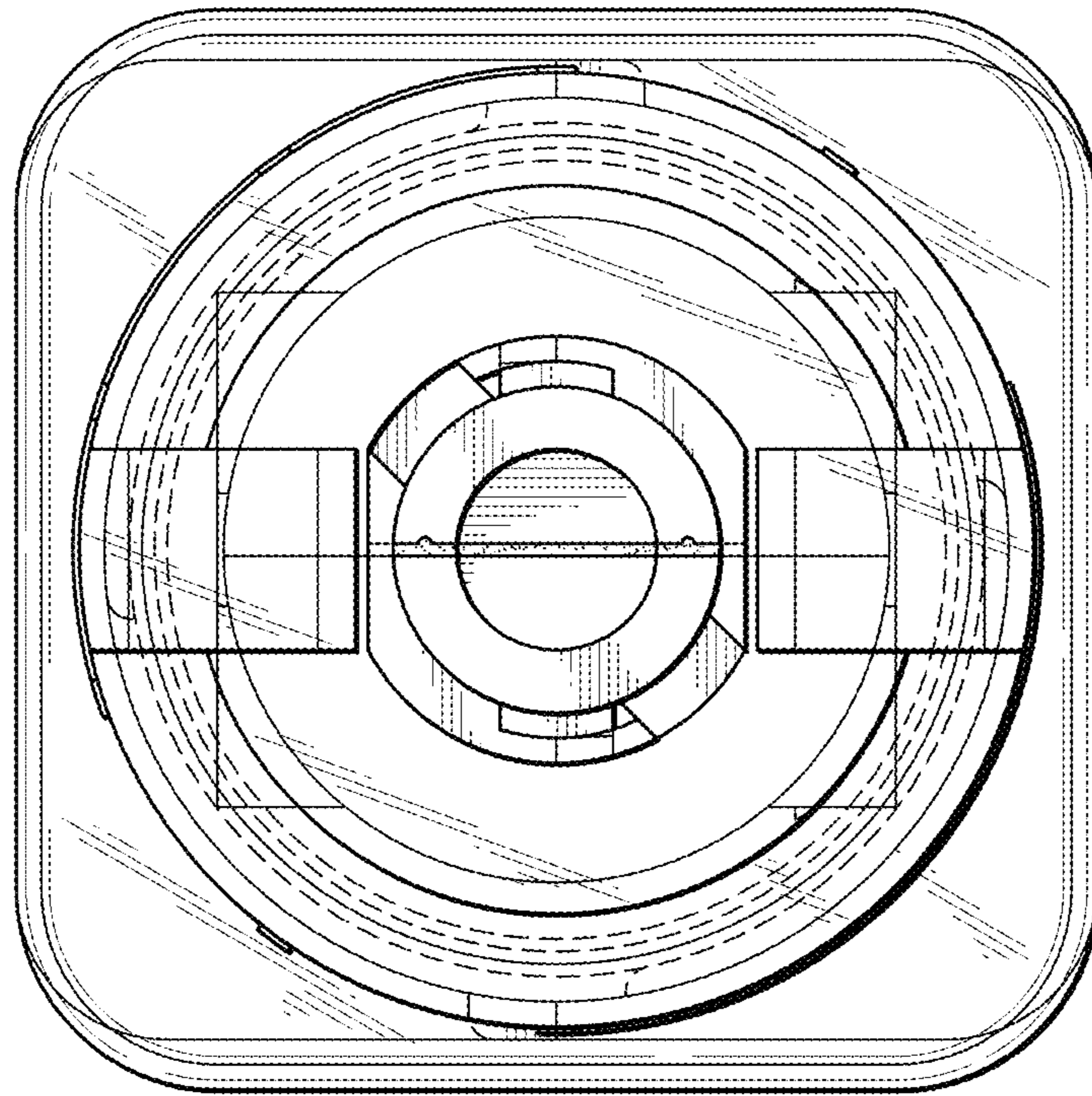


FIG. 6

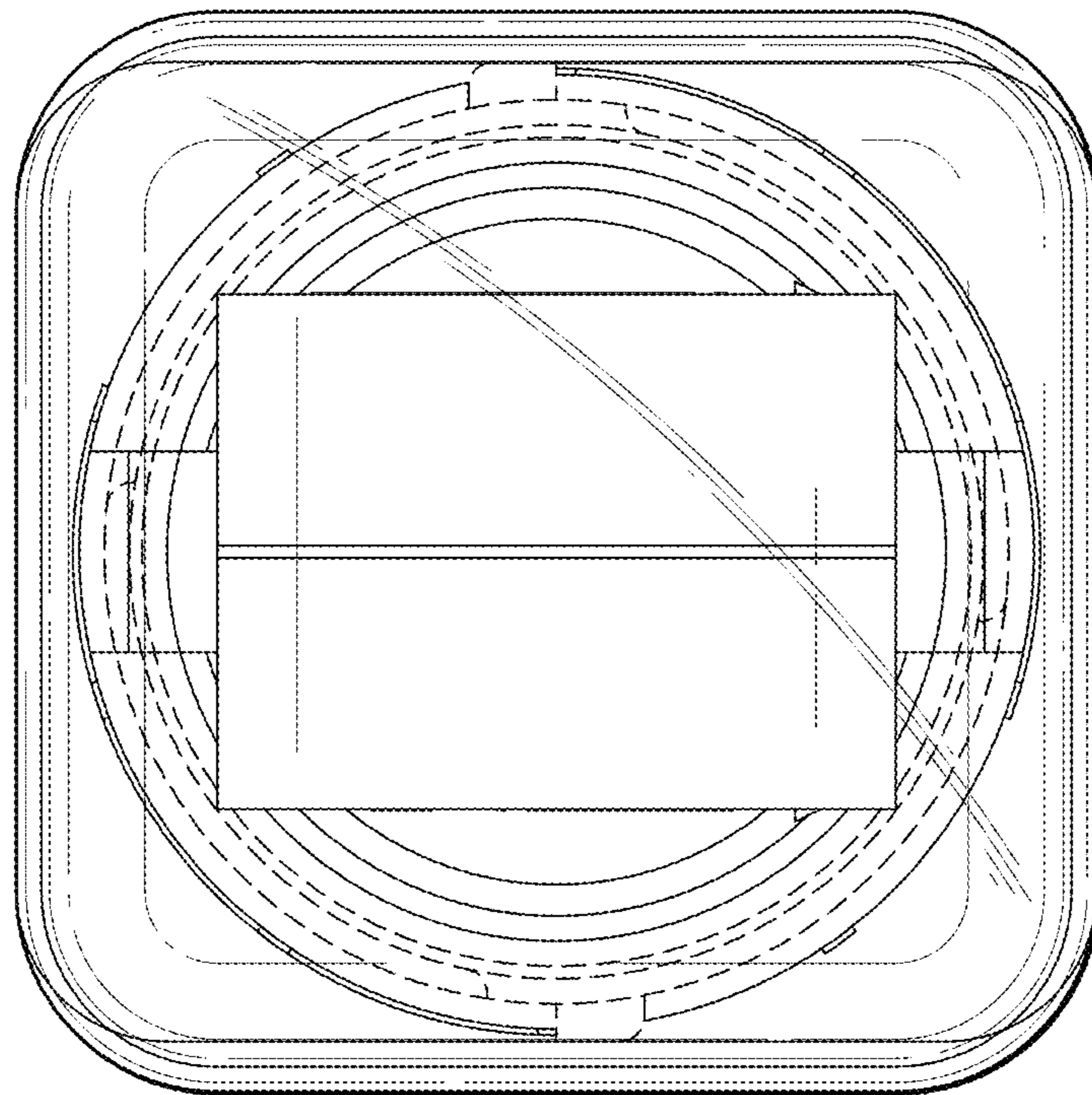


FIG. 7

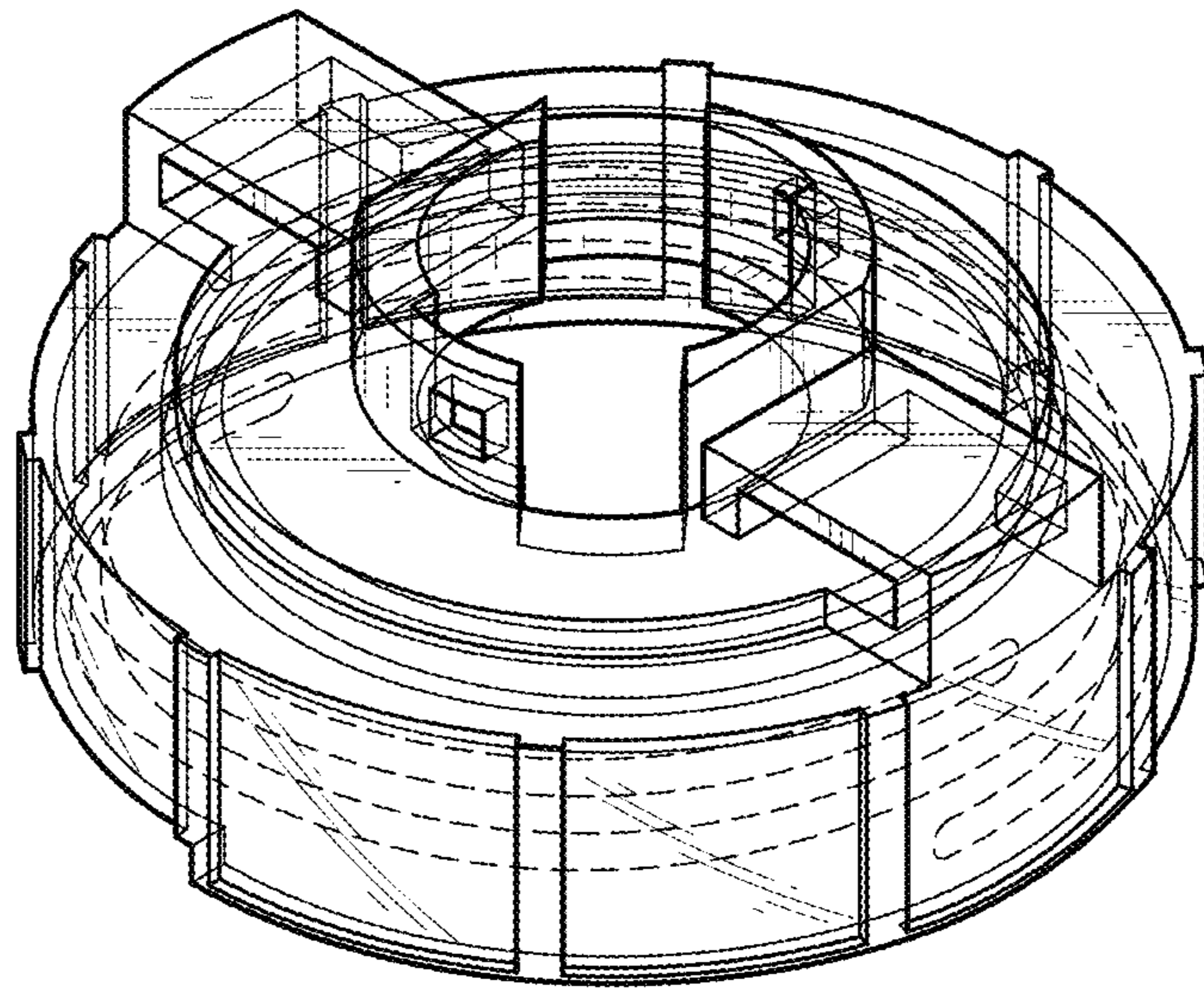


FIG.8



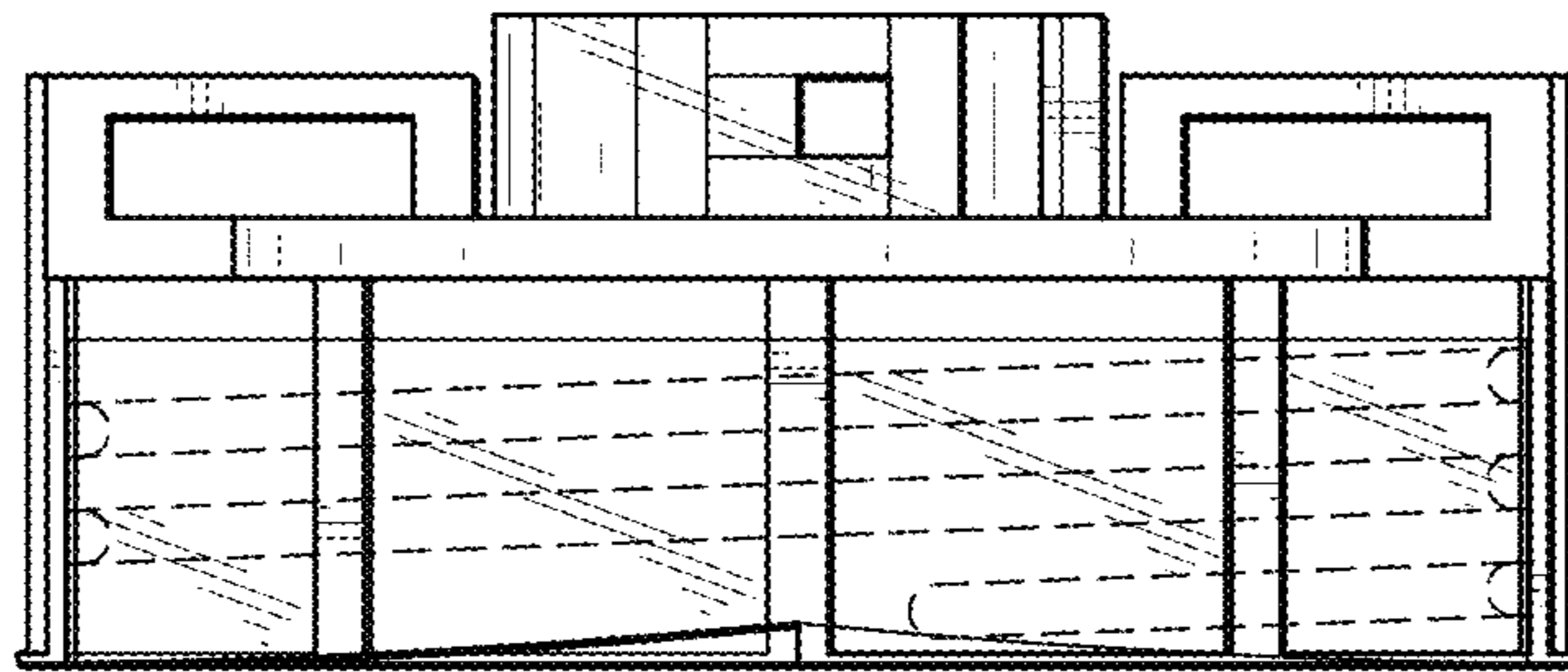


FIG. 9

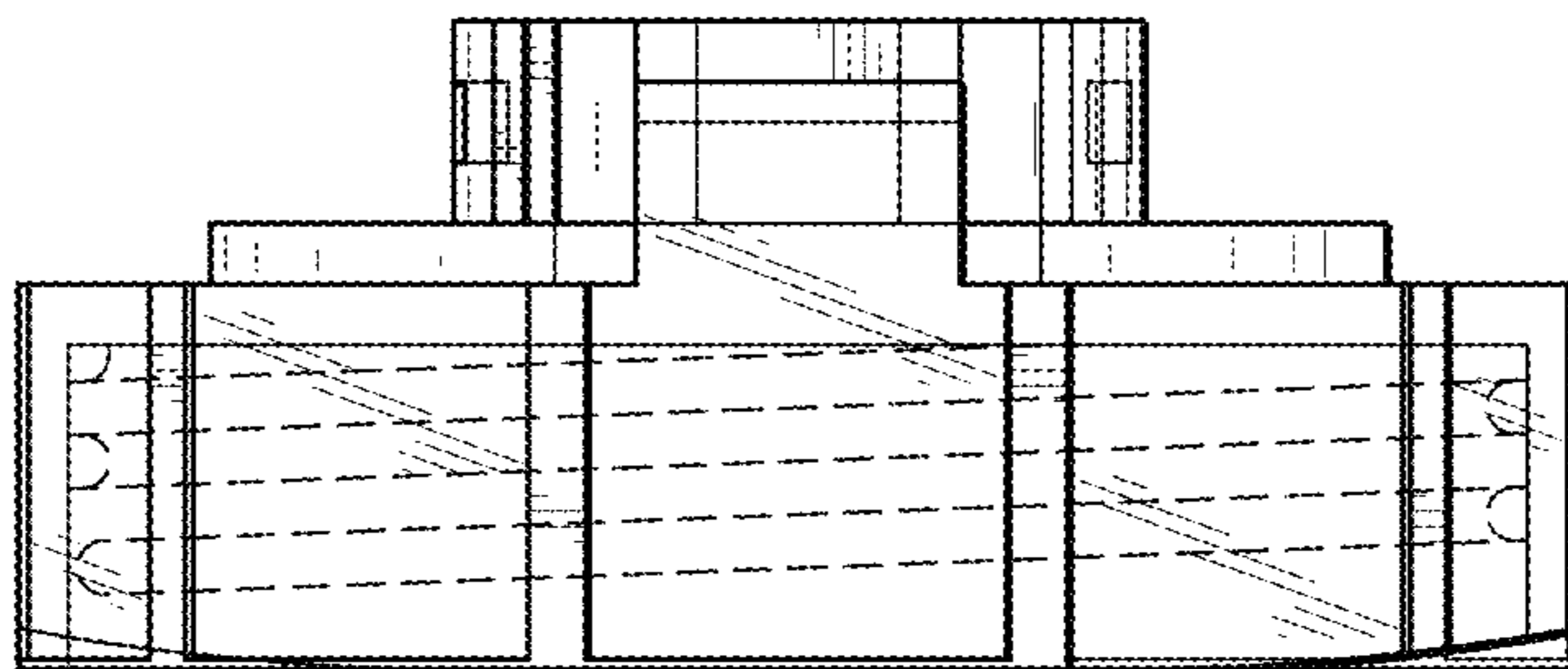


FIG. 10

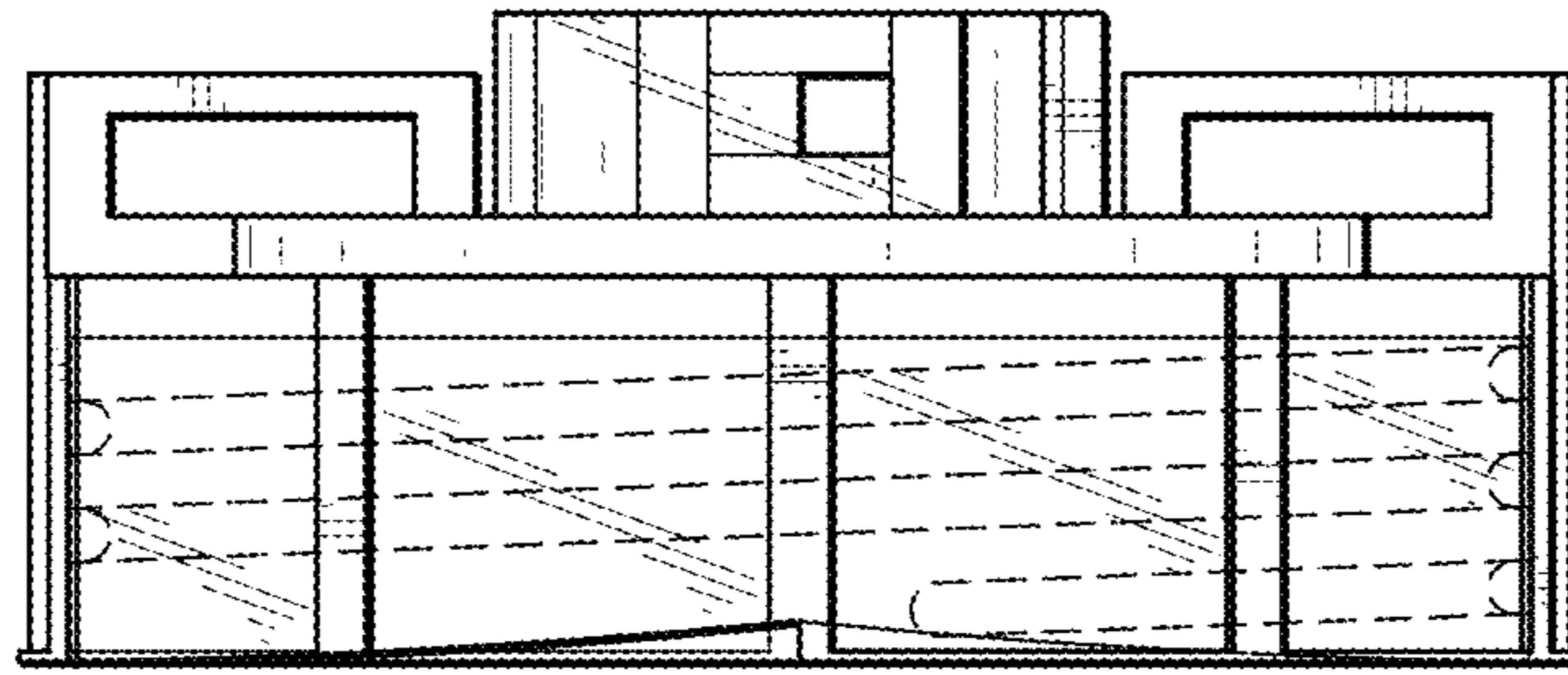


FIG. 11

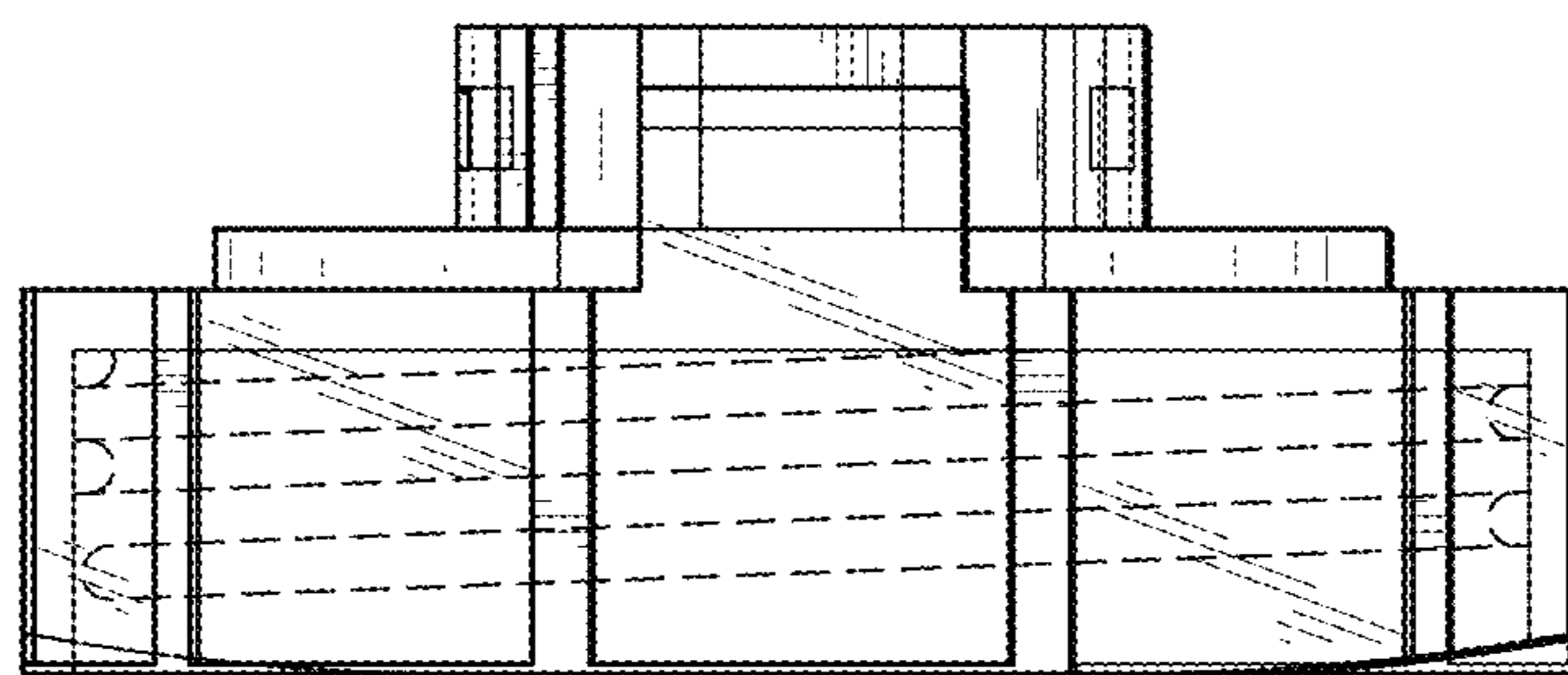


FIG. 12

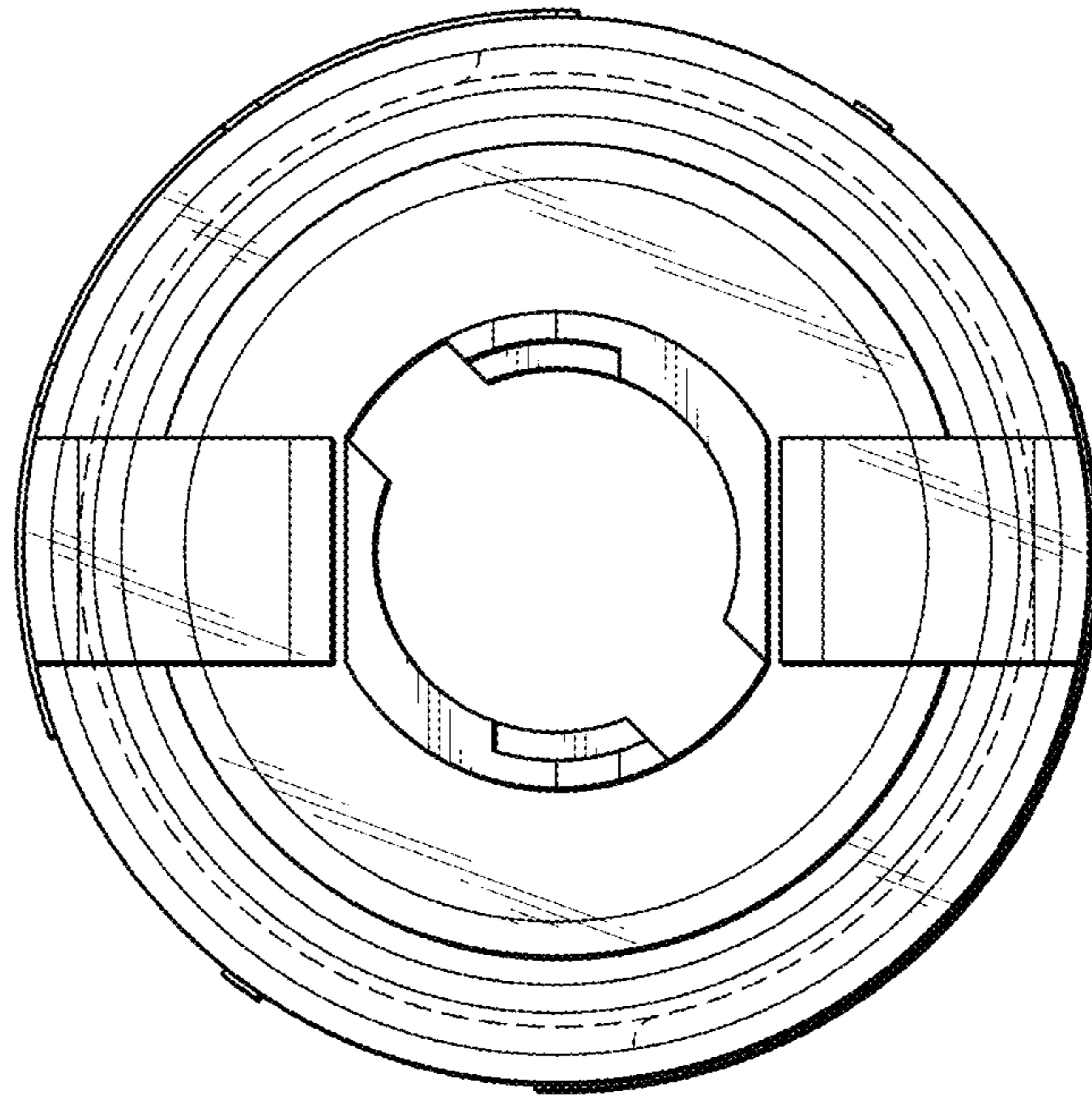


FIG. 13

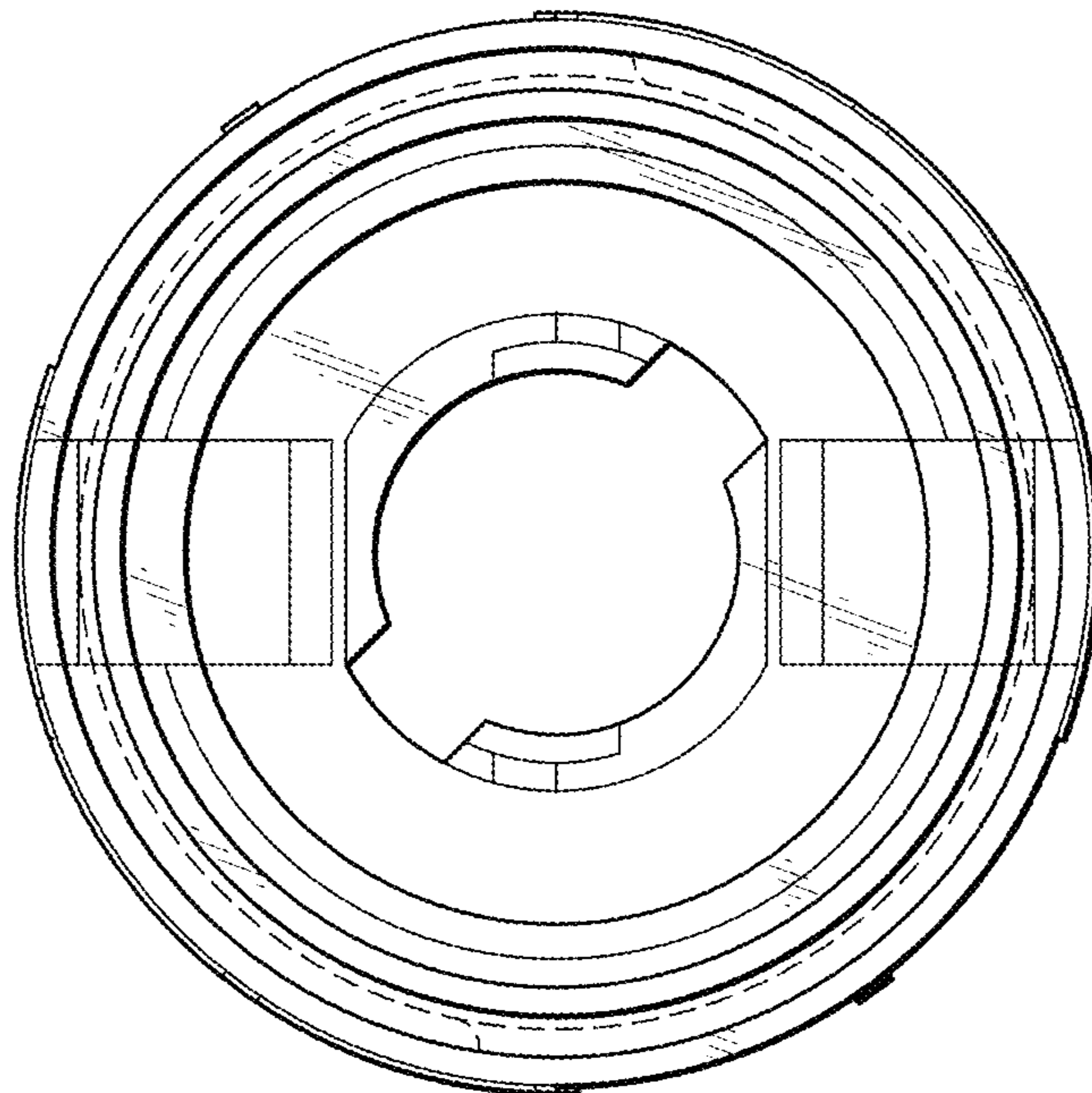


FIG. 14

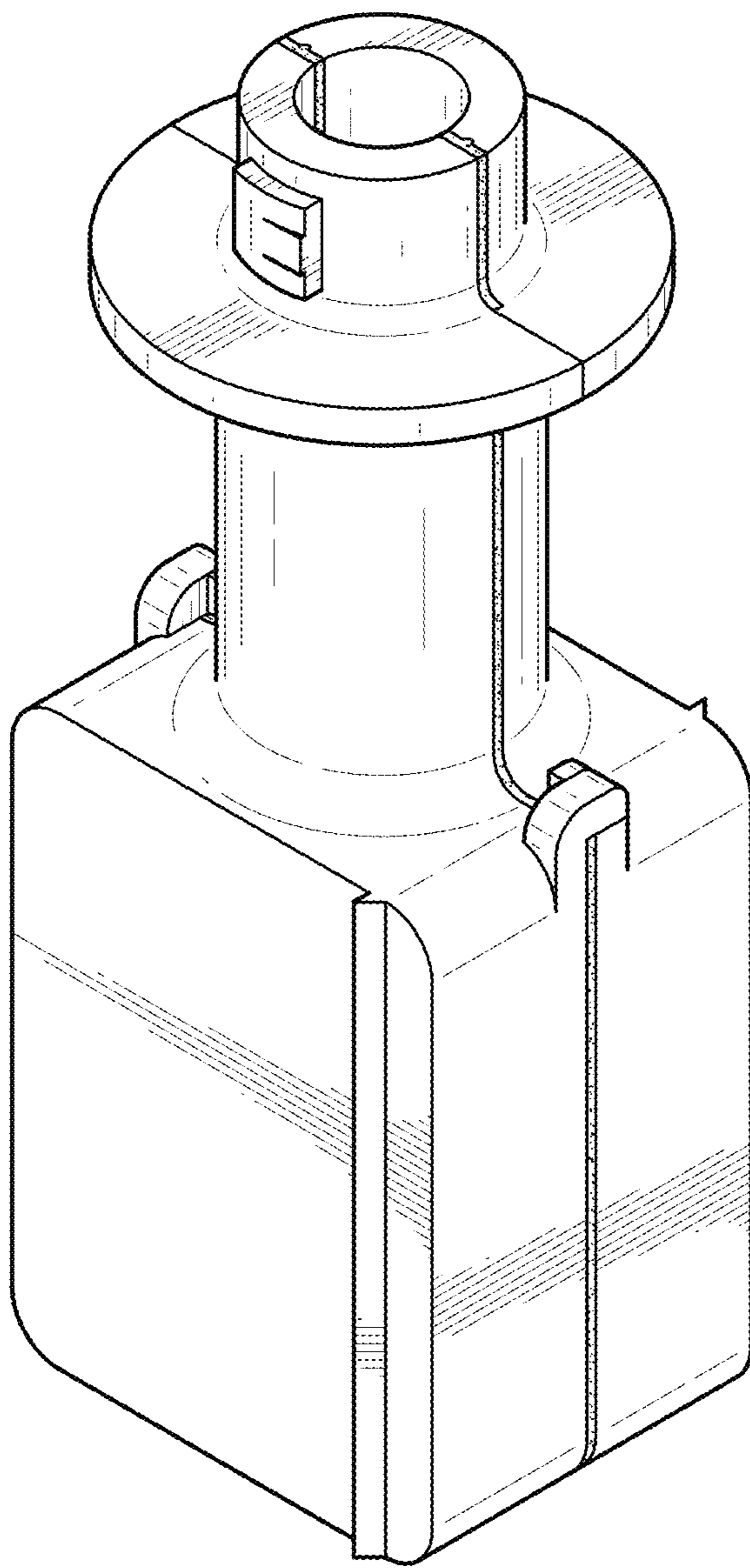


FIG. 15

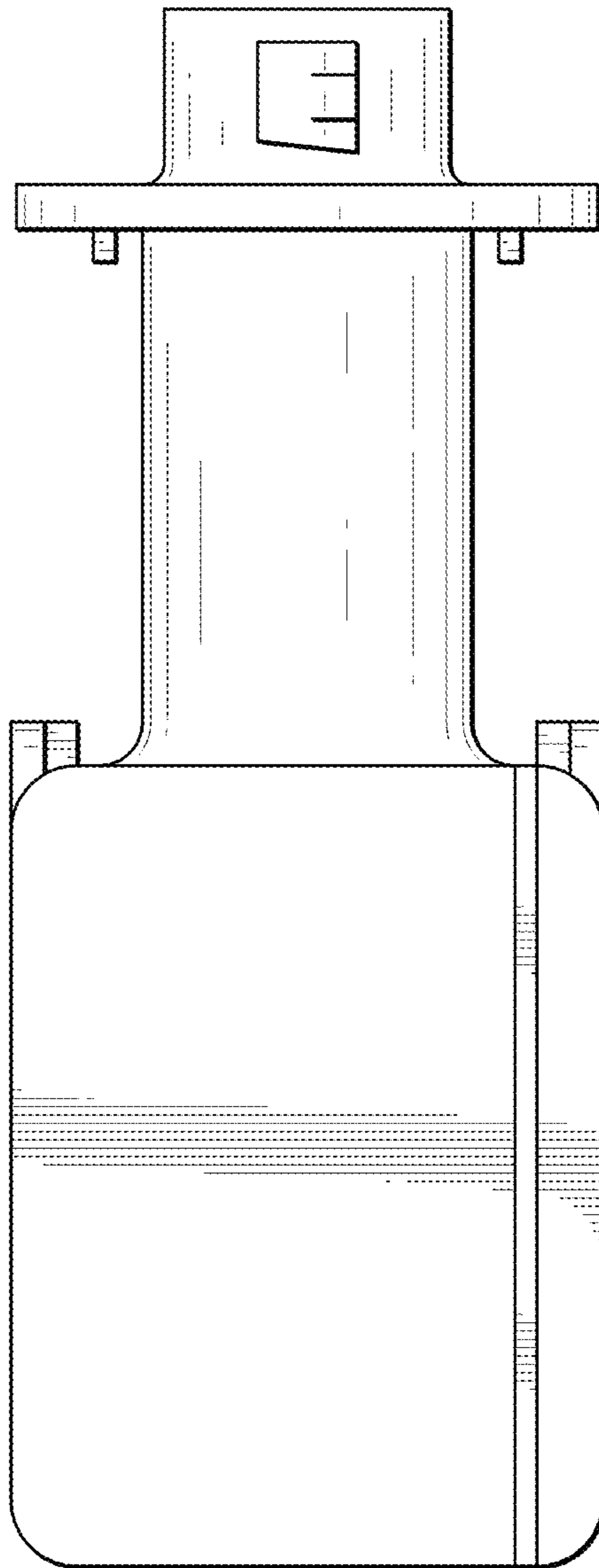


FIG. 16

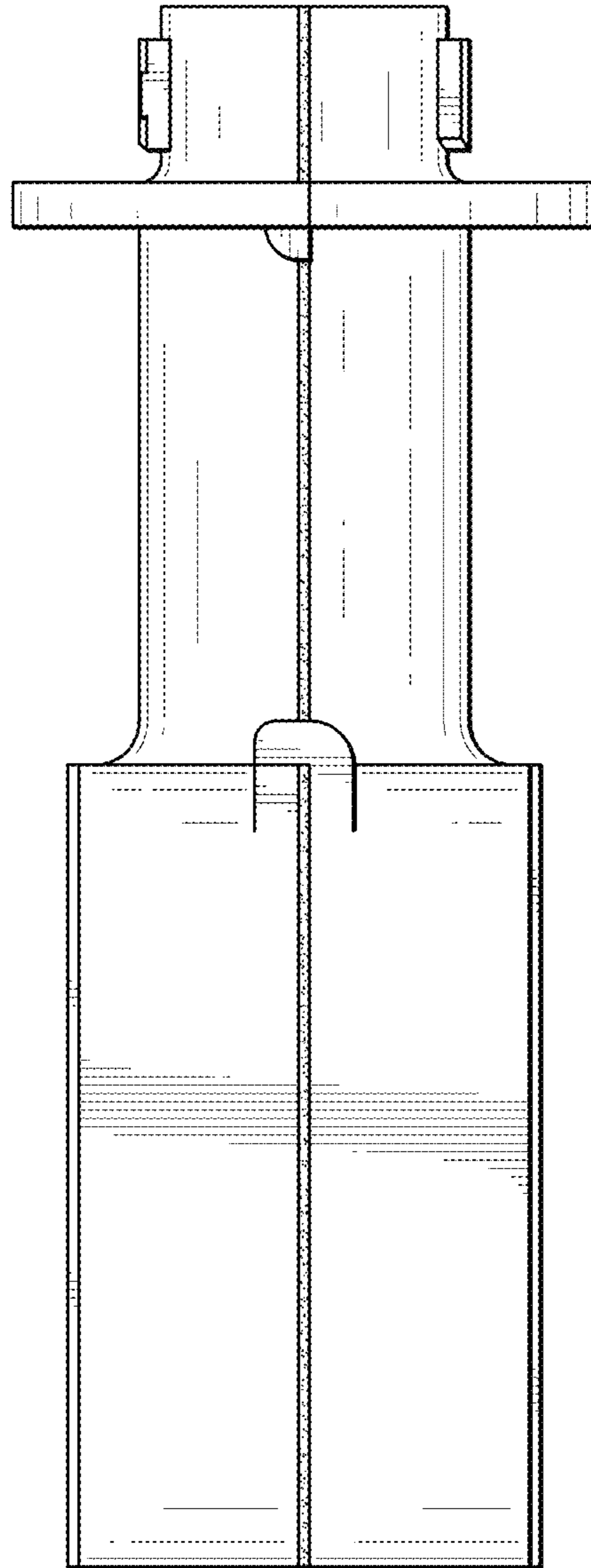


FIG.17

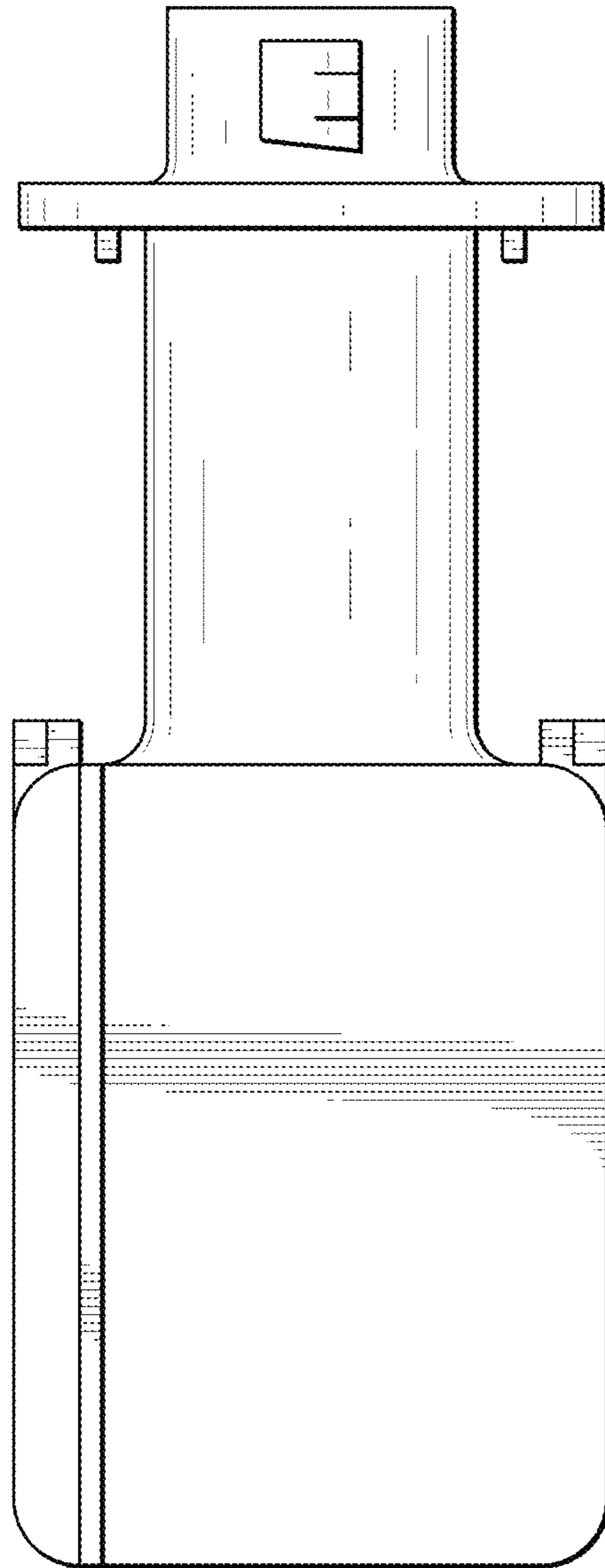


FIG. 18

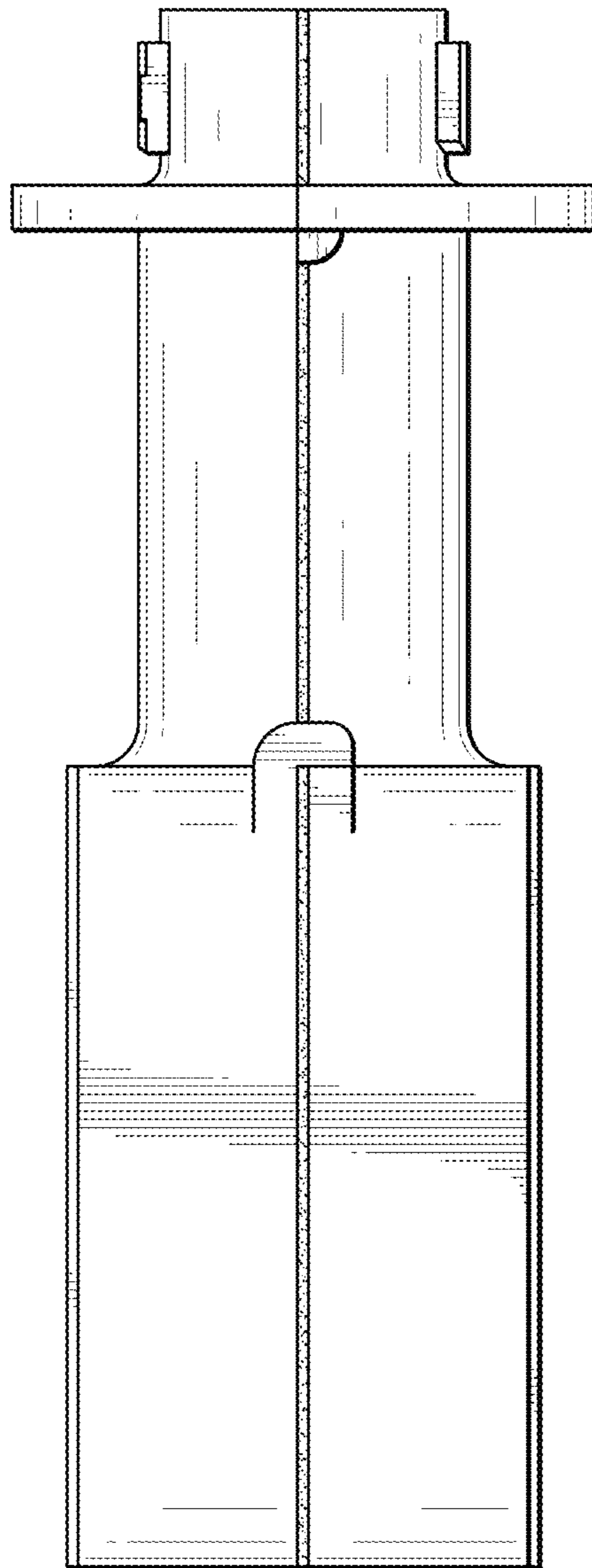


FIG. 19



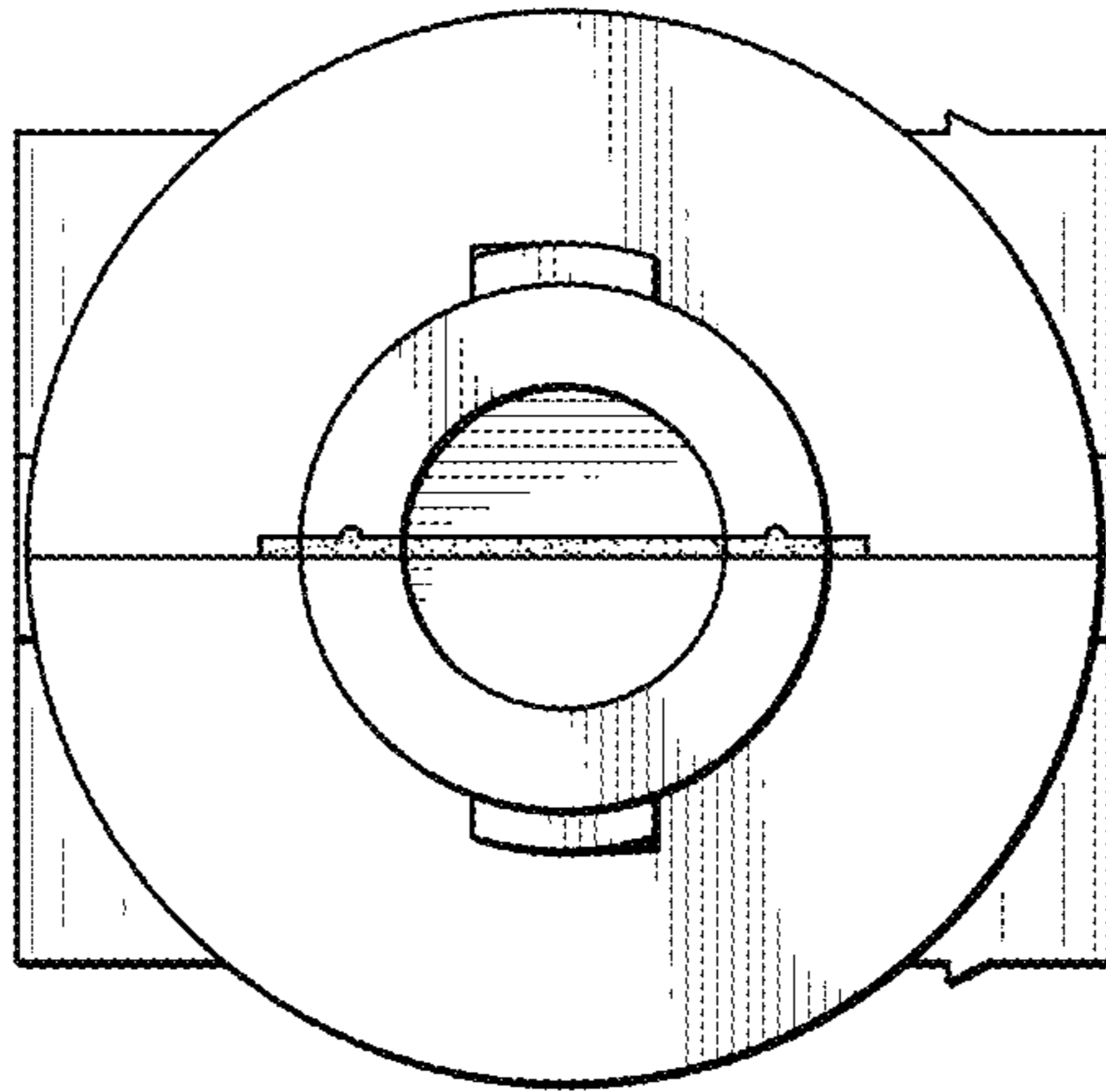


FIG. 20

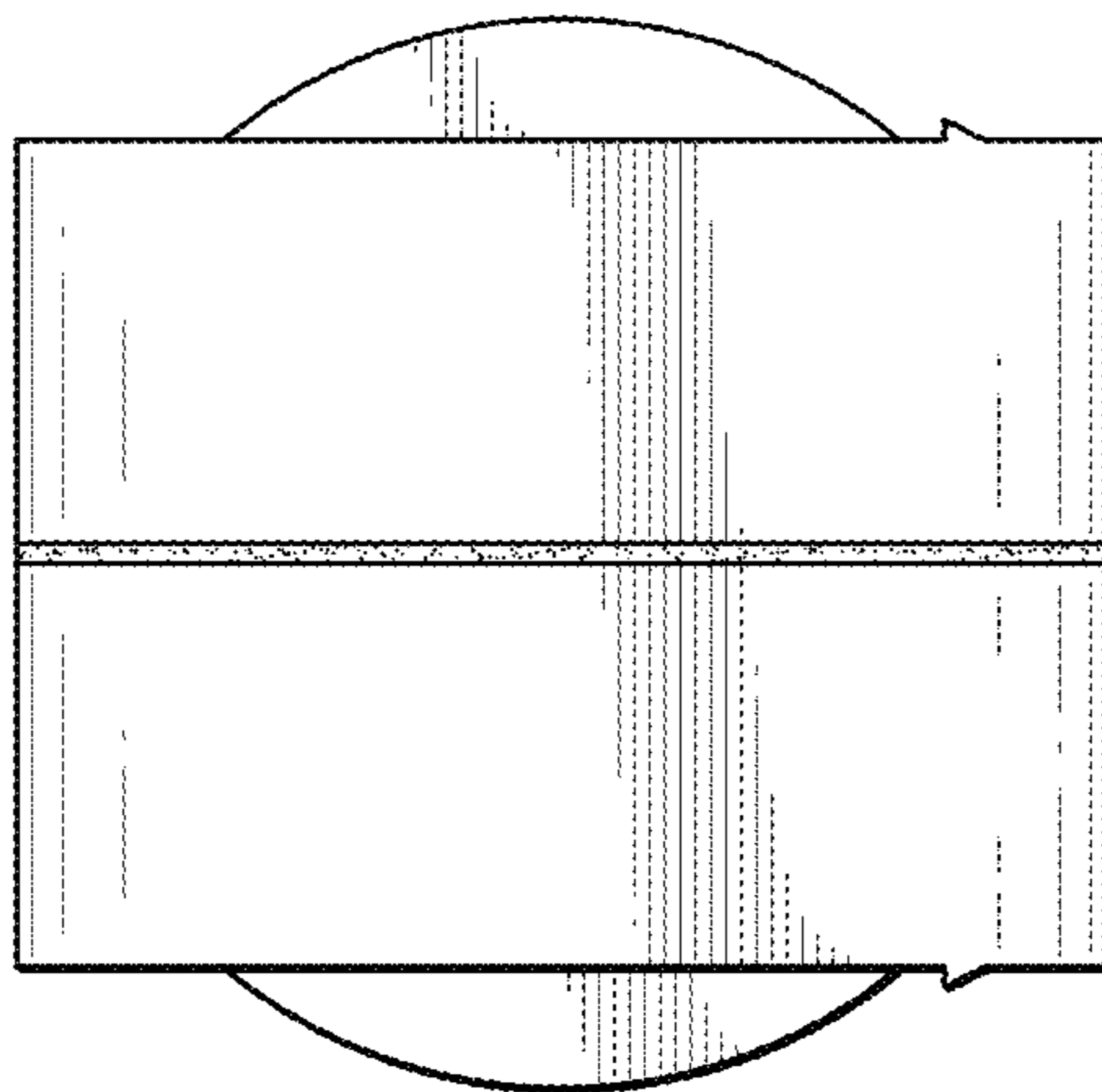


FIG. 21

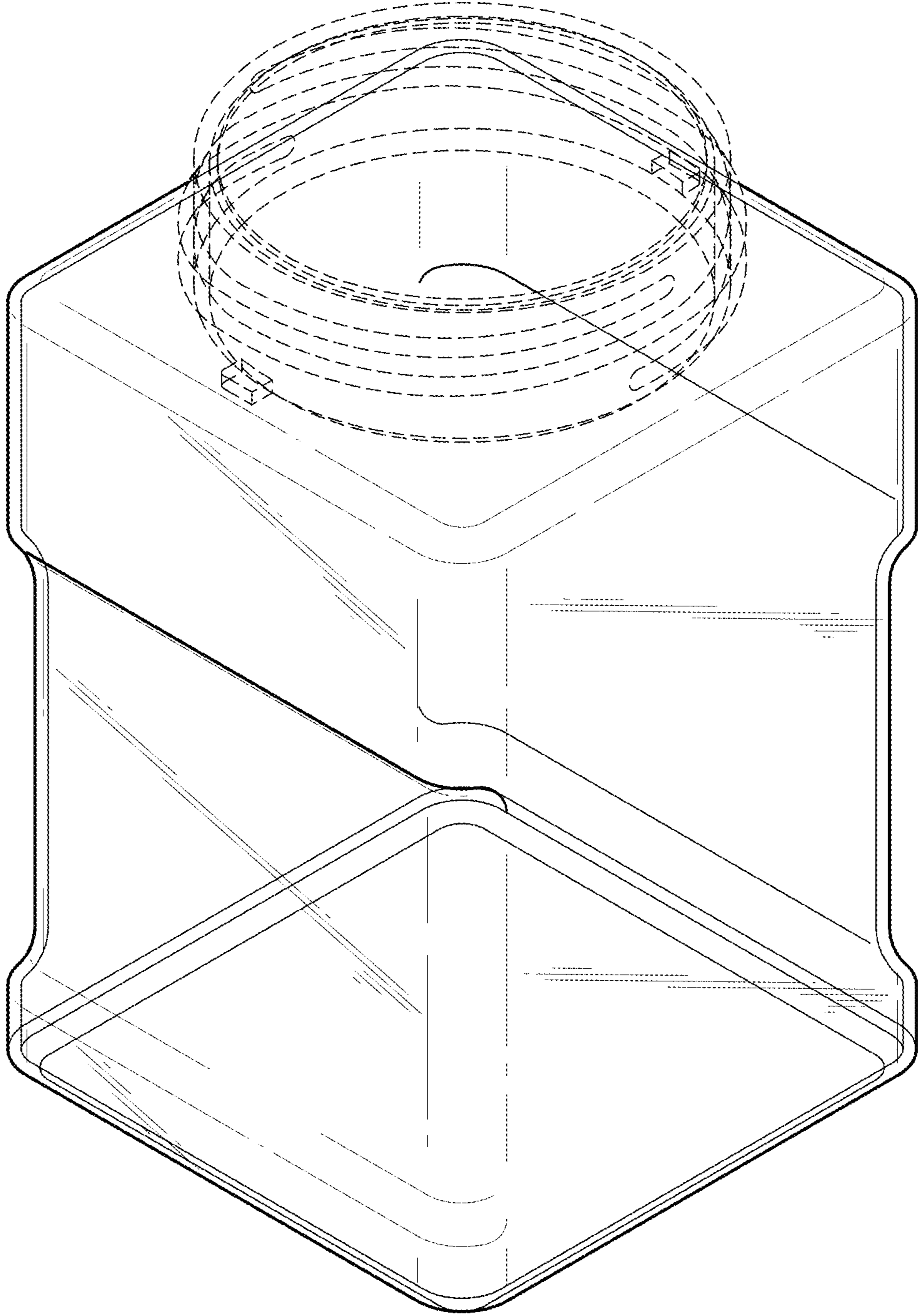


FIG.22

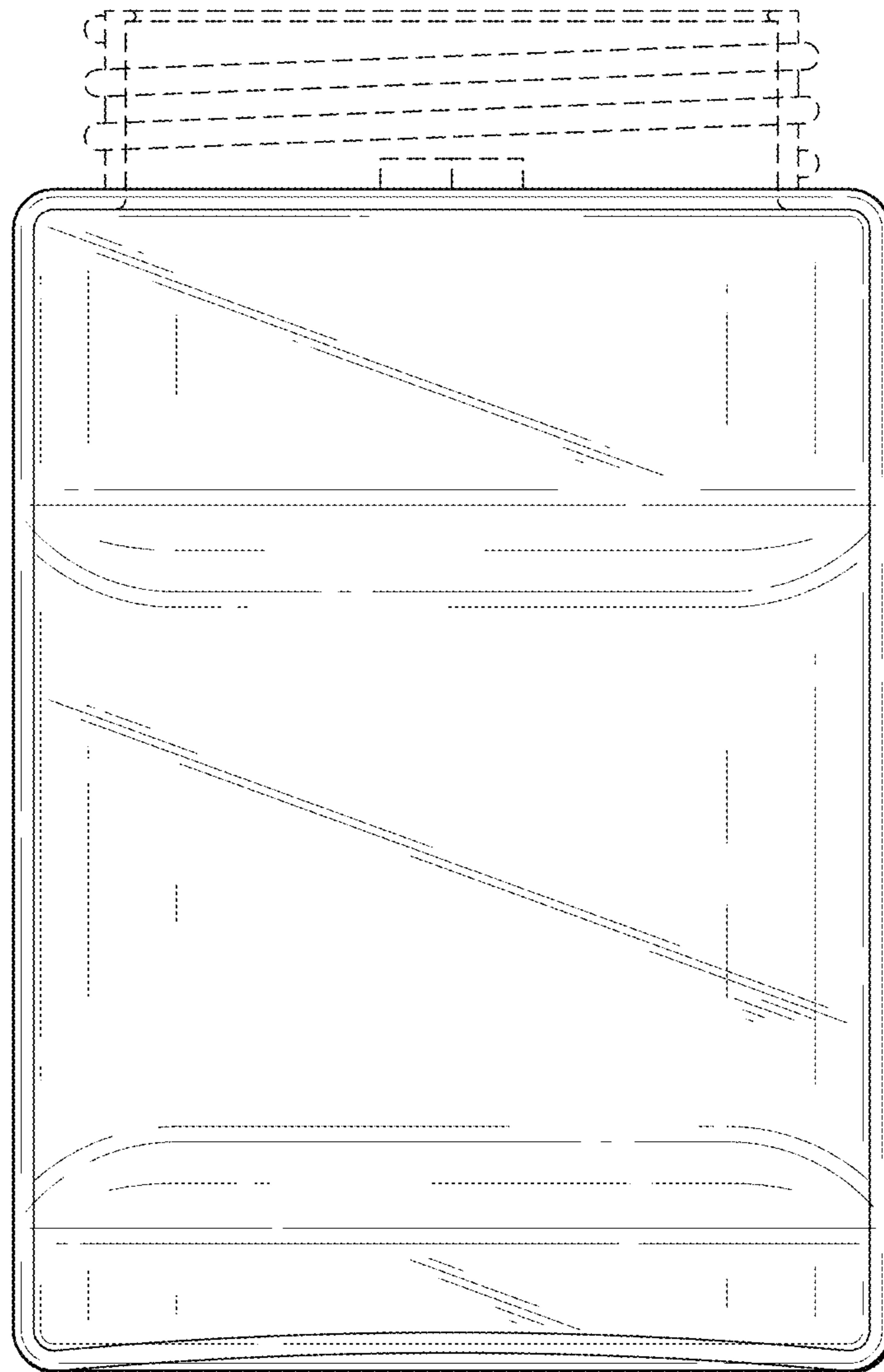


FIG.23

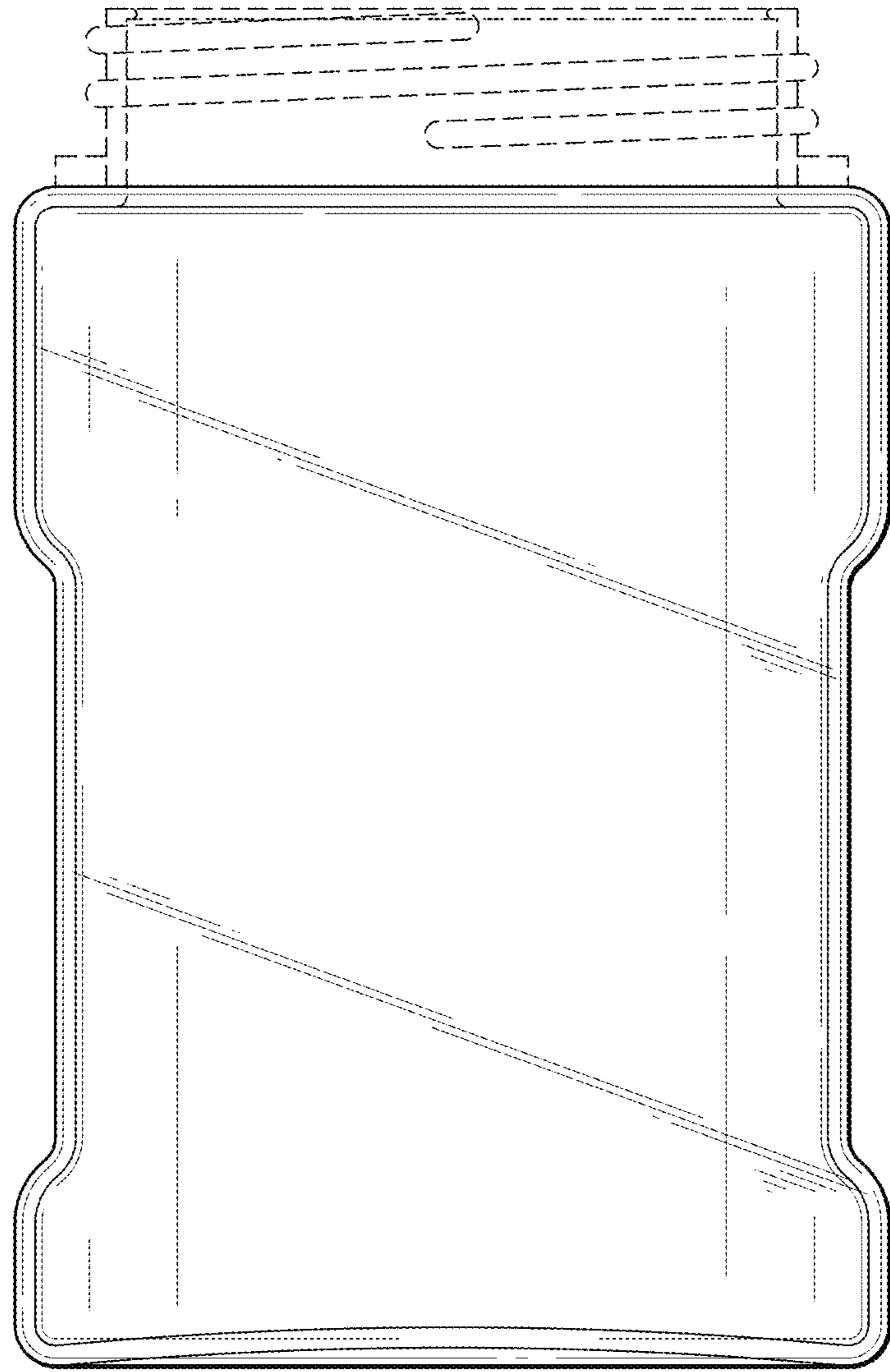


FIG.24

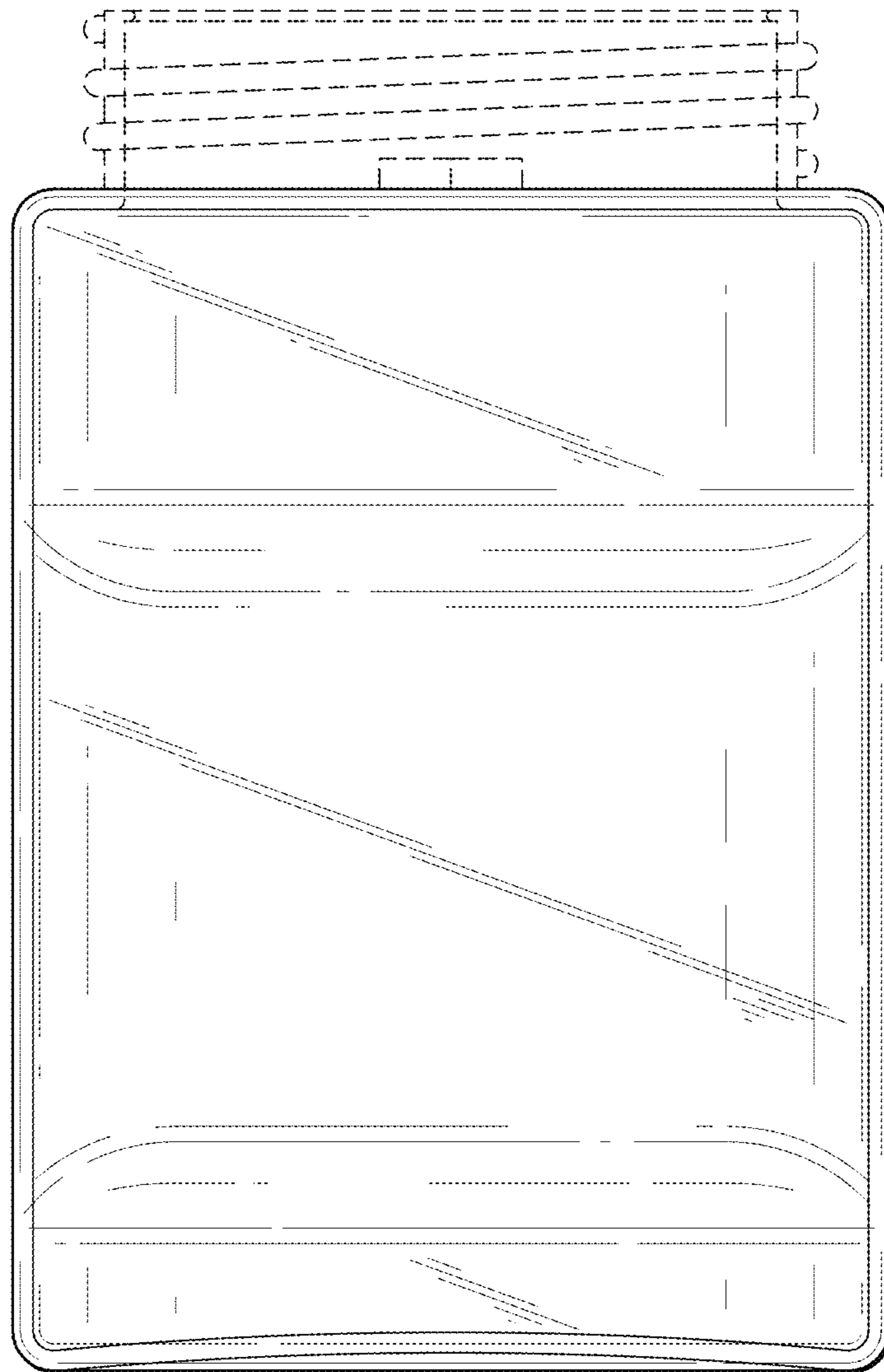


FIG.25

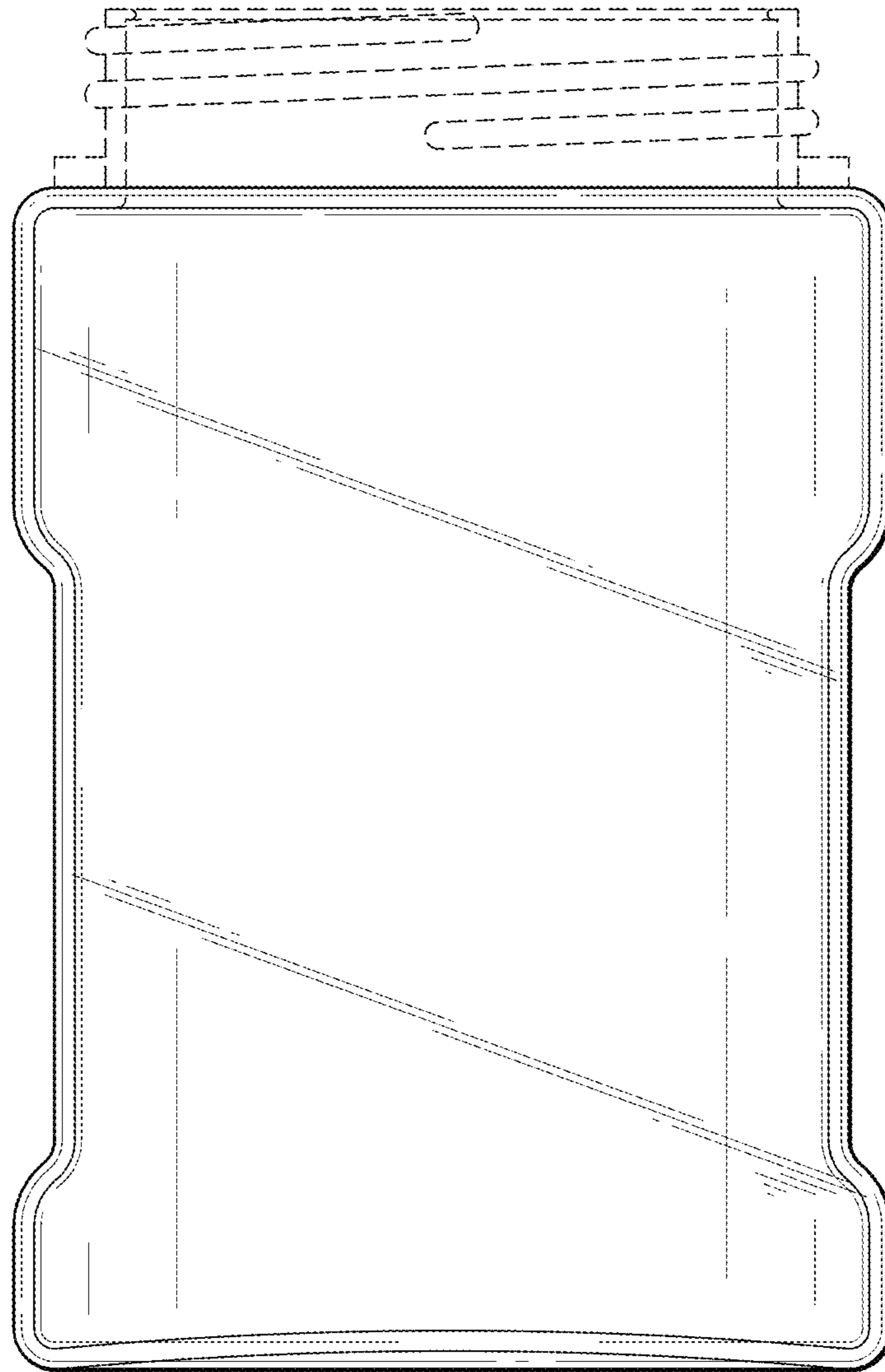


FIG.26

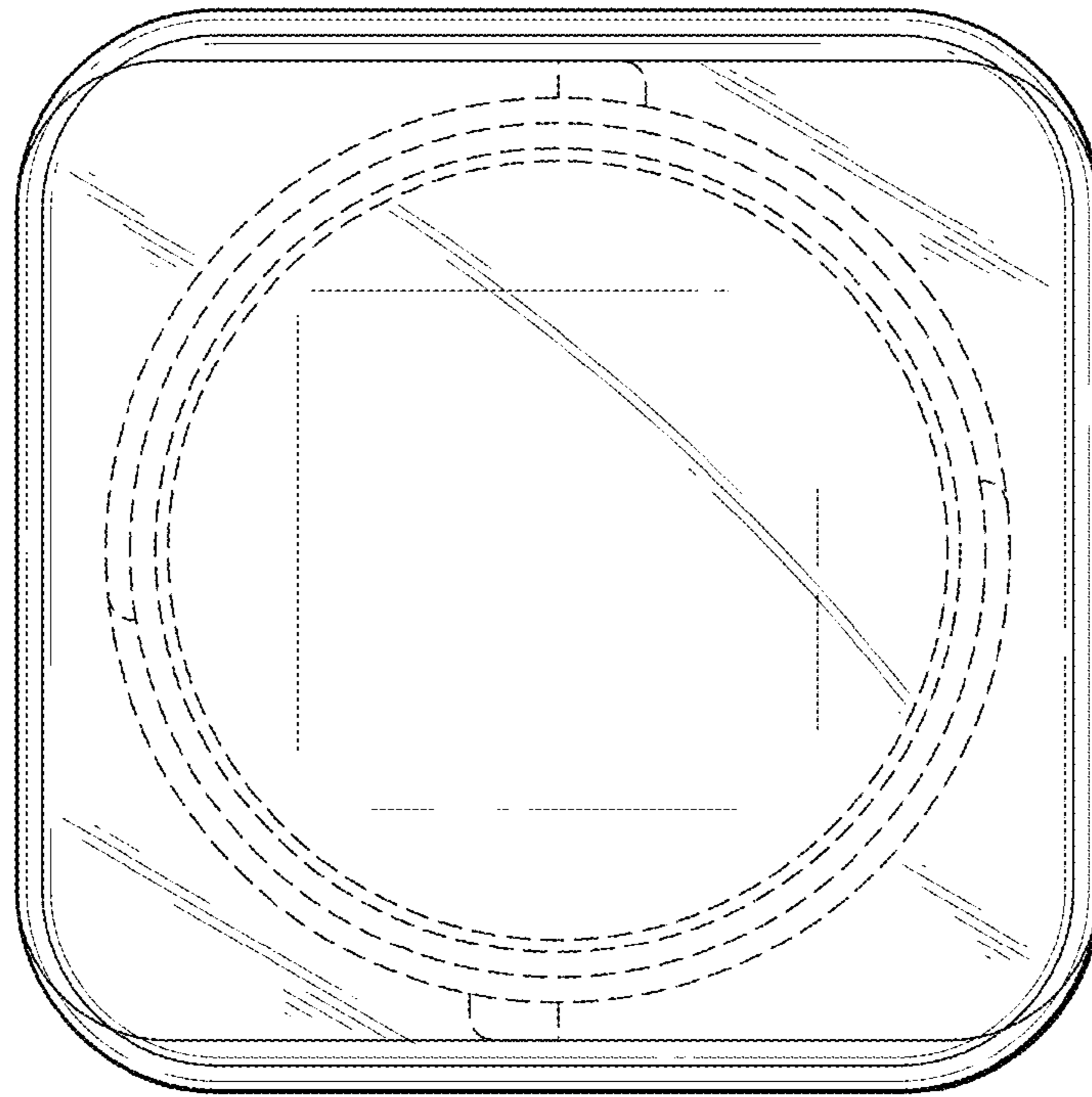


FIG. 27

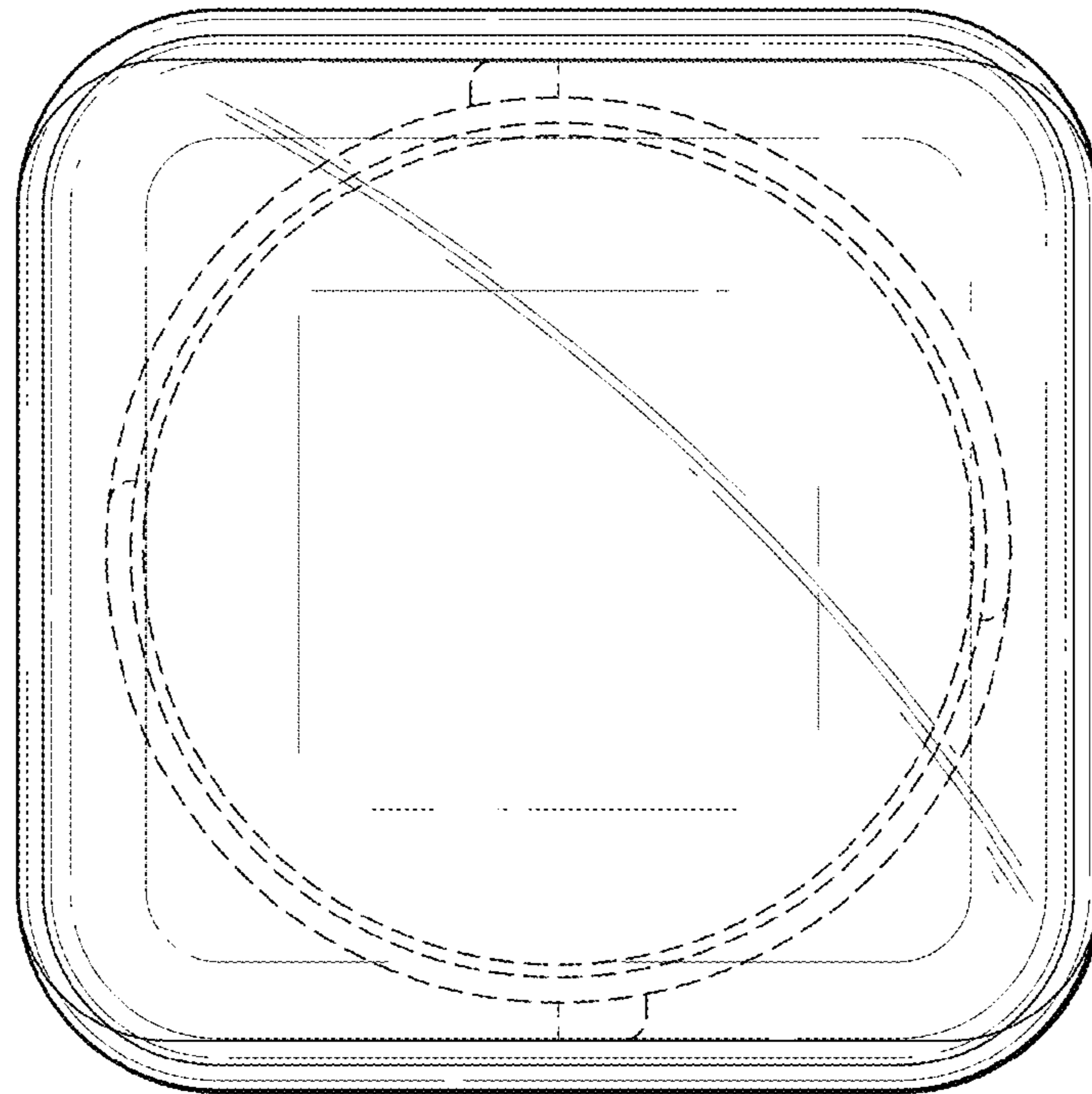


FIG. 28