



US00D682977S

(12) **United States Design Patent**  
**Thummel et al.**

(10) **Patent No.:** **US D682,977 S**

(45) **Date of Patent:** **\*\* May 21, 2013**

(54) **DUAL BEAM AIMING LASER**

(75) Inventors: **Heinz Thummel**, Monterey, CA (US);  
**Daniel Reader**, Salinas, CA (US);  
**Alejandro Chavez**, Salinas, CA (US);  
**Adam Nemeyer**, Cupertino, CA (US)

(73) Assignee: **Laser Devices, Inc.**, Monterey, CA (US)

(\*\*) Term: **14 Years**

(21) Appl. No.: **29/410,646**

(22) Filed: **Jan. 10, 2012**

(51) **LOC (9) Cl.** ..... **22-01**

(52) **U.S. Cl.**  
USPC ..... **D22/109**; D10/70

(58) **Field of Classification Search** ..... D10/65,  
D10/70; D22/108, 109; 33/276, 277, 281–285,  
33/286, 290, 291–299, DIG. 21; 42/114–117,  
42/142, 146; 89/1.61, 200–206; 264/1.24–1.25;  
340/573.1–573.4, 539, 825.36, 825.46, 825.49,  
340/357.02; 356/4.01, 5.01, 5.08, 4.05, 5.07,  
356/5.09, 5.12, 28.5, 345, 375, 3.01, 5.06,  
356/128–155, 399, 400; 385/83, 97–99,  
385/134–139; 701/211–213; 702/150, 158,  
702/208; 362/110, 113, 114

See application file for complete search history.

(56) **References Cited**

U.S. PATENT DOCUMENTS

5,400,540	A *	3/1995	Solinsky et al.	42/115
5,933,224	A *	8/1999	Hines et al.	356/4.01
D525,544	S *	7/2006	Nojima	D10/70
D570,234	S *	6/2008	Hui et al.	D10/70
D586,874	S *	2/2009	Moody et al.	D22/109
D611,848	S *	3/2010	Liu et al.	D10/70
D612,756	S *	3/2010	D'Amelio et al.	D10/70
7,726,061	B1 *	6/2010	Thummel	42/115
D641,826	S *	7/2011	Larsson et al.	D22/109
D647,159	S *	10/2011	Kobayashi et al.	D22/109
D648,413	S *	11/2011	Mayberry et al.	D22/109
8,312,666	B2 *	11/2012	Moore et al.	42/117

\* cited by examiner

*Primary Examiner* — Antoine D Davis

(74) *Attorney, Agent, or Firm* — K&L Gates LLP

(57) **CLAIM**

The ornamental design for a dual beam aiming laser, as shown and described herein.

**DESCRIPTION**

FIG. 1 illustrates a first top perspective view of a dual beam aiming laser of my new design; that portion shown in phantom is not part of the design sought to be patented and is provided for environmental purposes only.

FIG. 2 illustrates a second top perspective view of my design of FIG. 1; that portion shown in phantom is not part of the design sought to be patented and is provided for environmental purposes only.

FIG. 3 illustrates a front end view of my design of FIG. 1; that portion shown in phantom is not part of the design sought to be patented and is provided for environmental purposes only.

FIG. 4 illustrates a back end view of my design of FIG. 1; that portion shown in phantom is not part of the design sought to be patented and is provided for environmental purposes only.

FIG. 5 illustrates a top view of my design of FIG. 1; that portion shown in phantom is not part of the design sought to be patented and is provided for environmental purposes only.

FIG. 6 illustrates a bottom view of my design of FIG. 1; that portion shown in phantom is not part of the design sought to be patented and is provided for environmental purposes only.

FIG. 7 illustrates a first side view of my design of FIG. 1; that portion shown in phantom is not part of the design sought to be patented and is provided for environmental purposes only; and,

FIG. 8 illustrates a second side view of my design of FIG. 1; that portion shown in phantom is not part of the design sought to be patented and is provided for environmental purposes only.

**1 Claim, 6 Drawing Sheets**

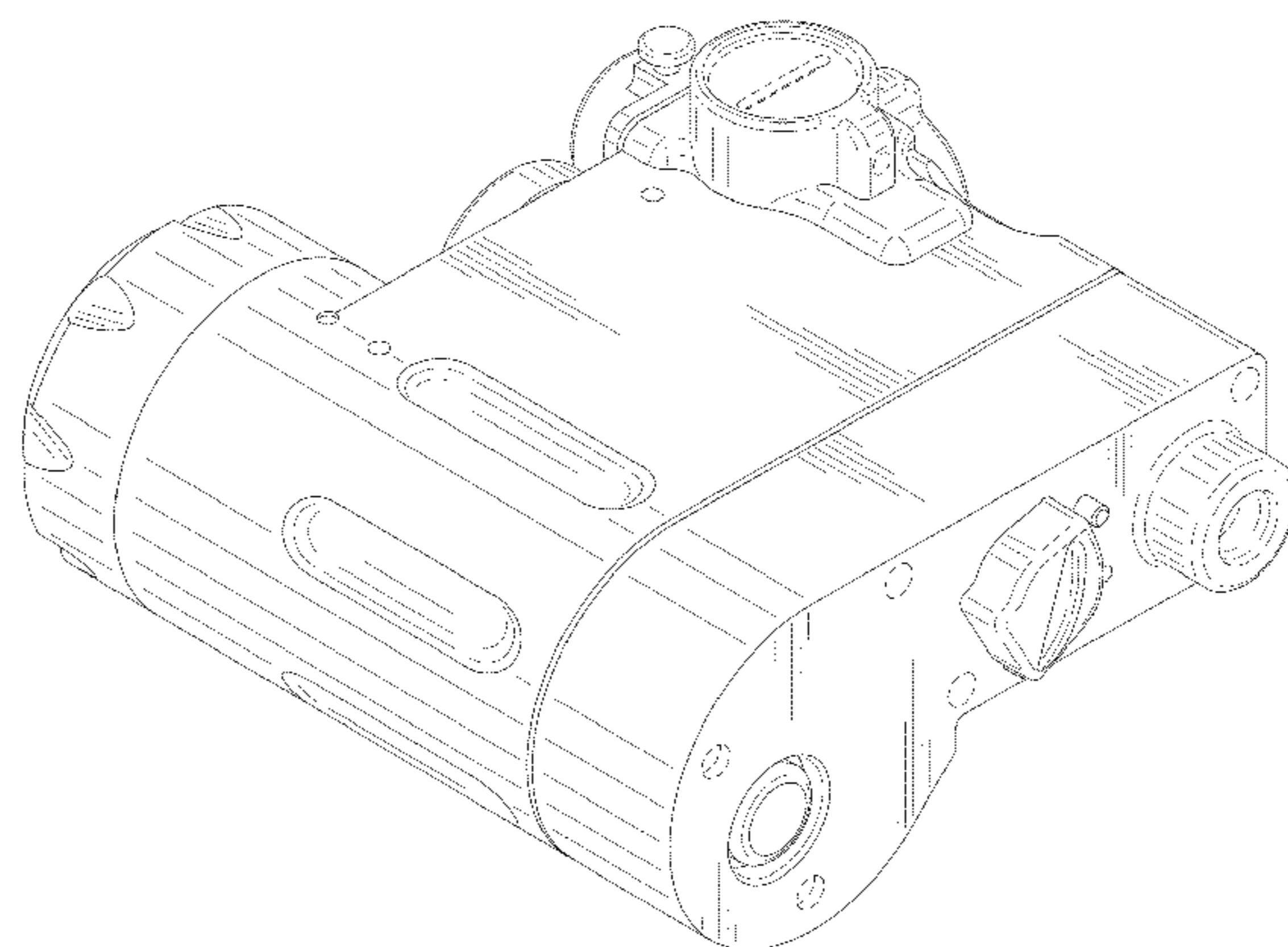
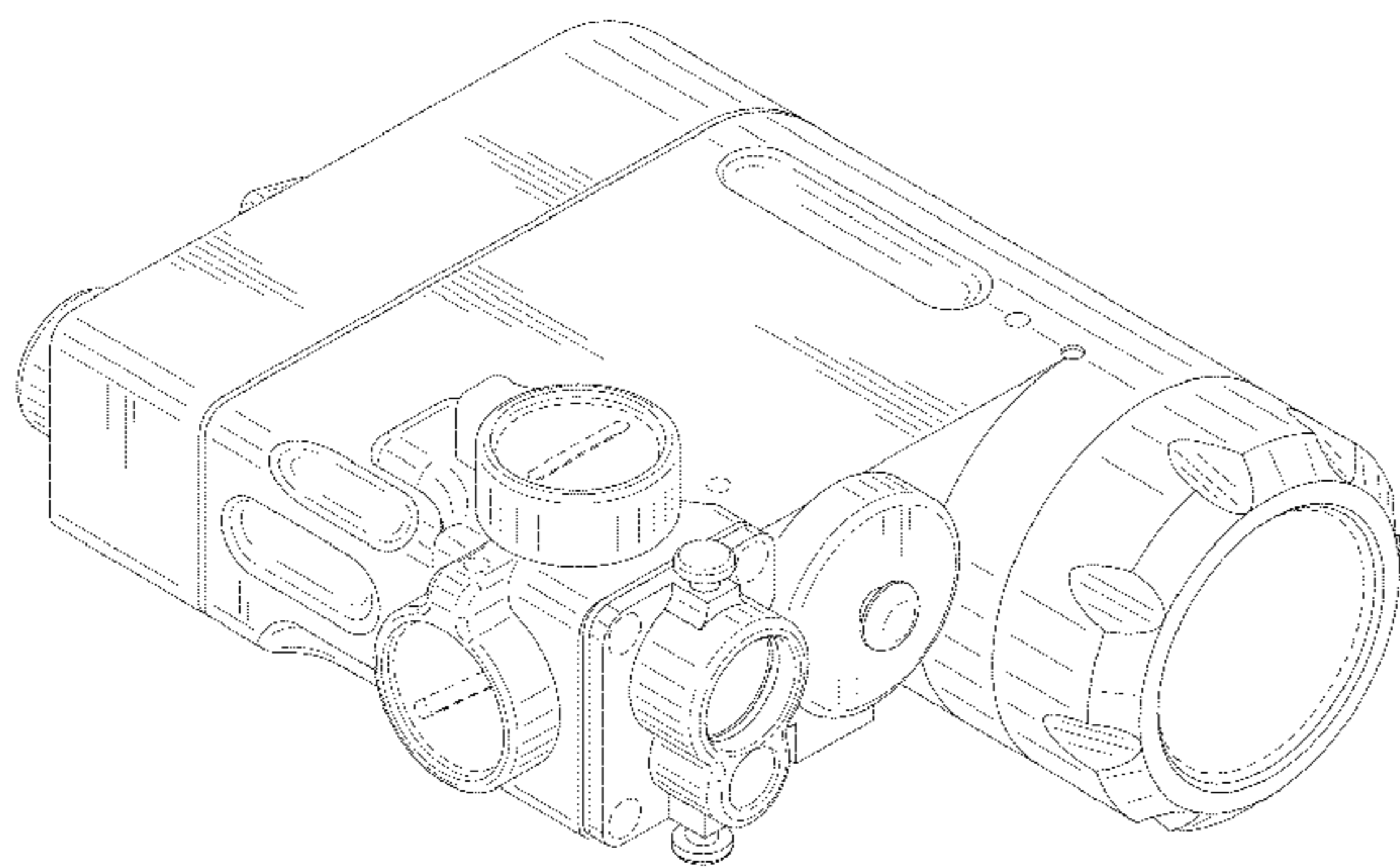


FIG. 1

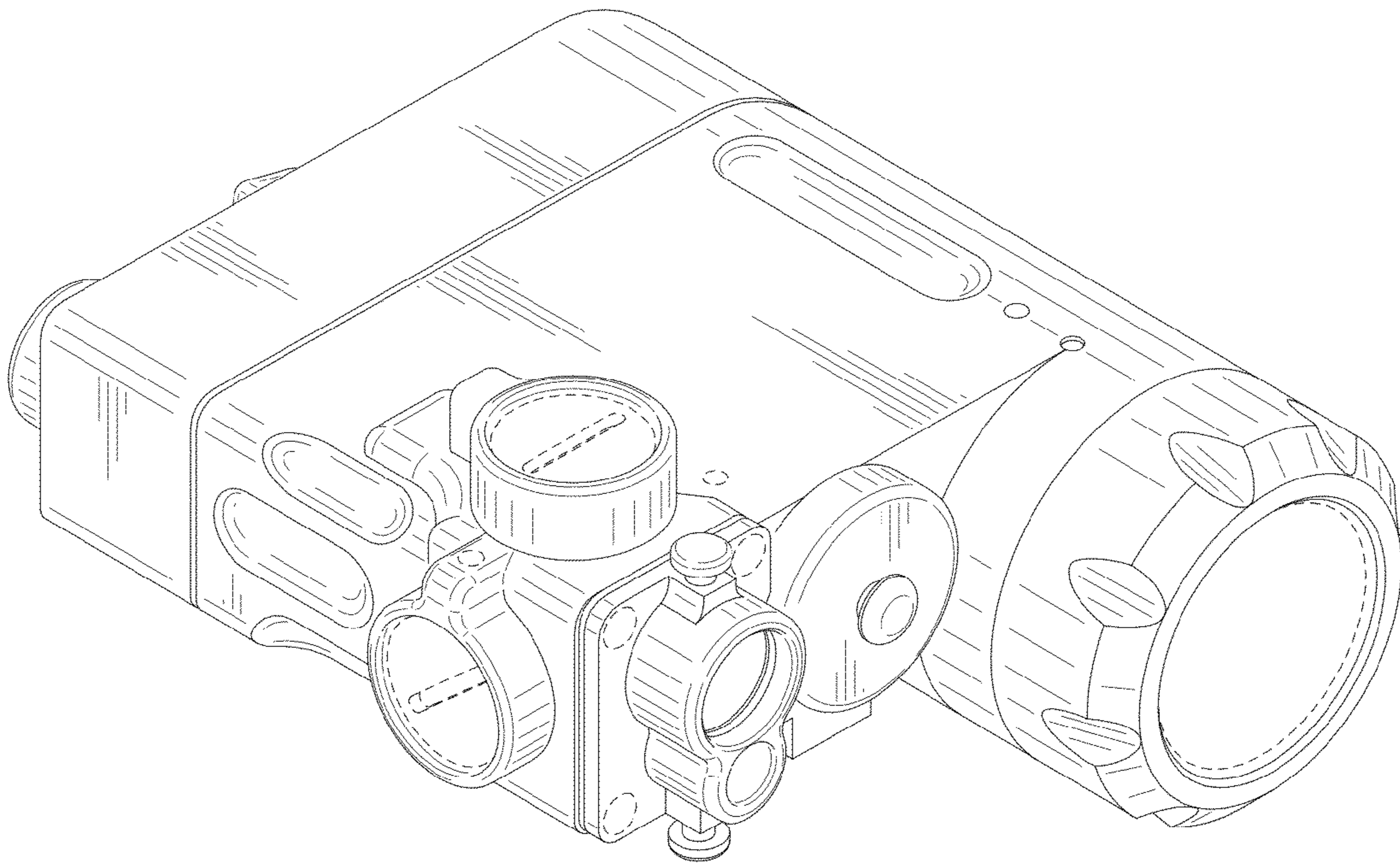


FIG. 2

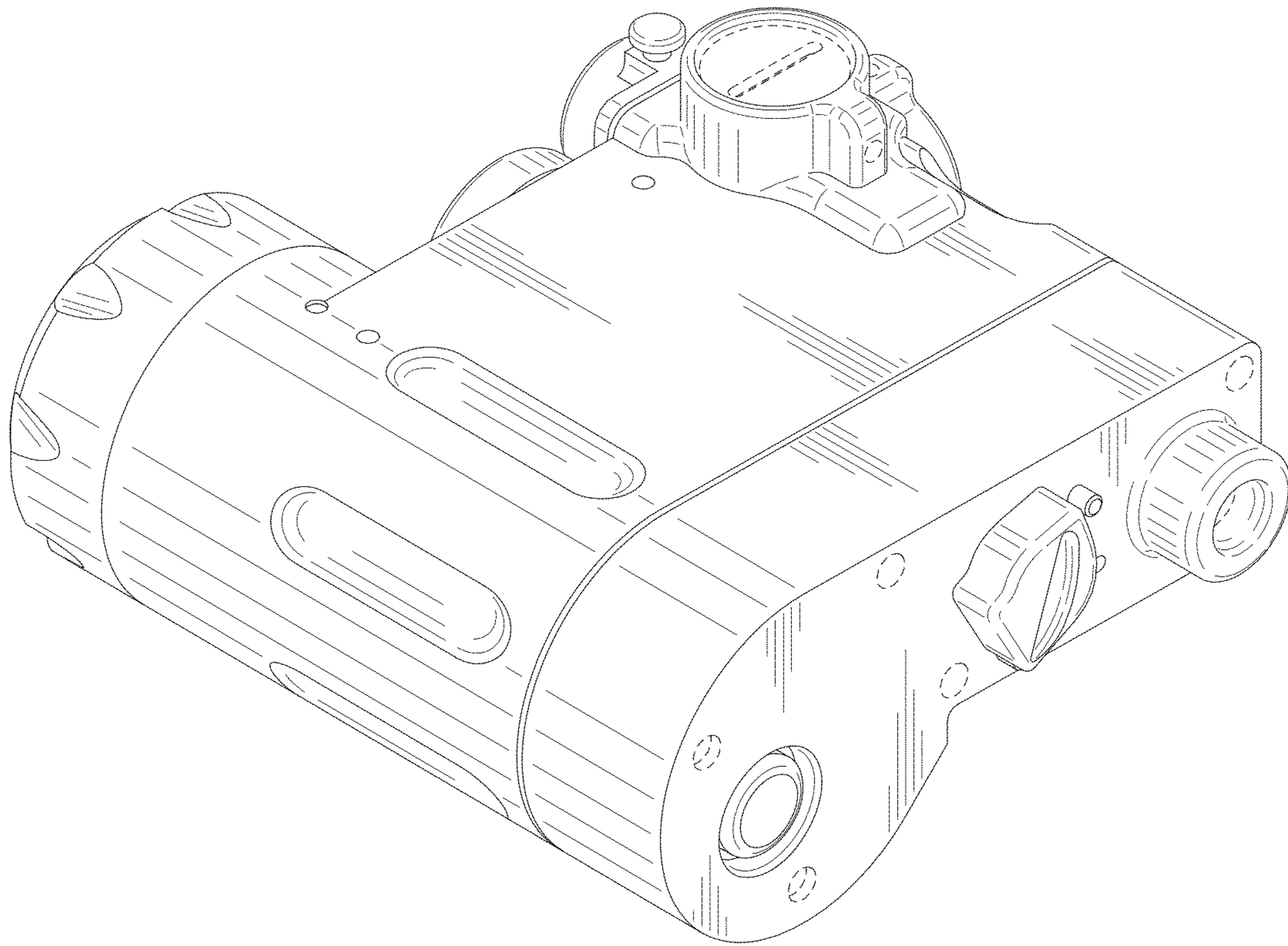




FIG. 3

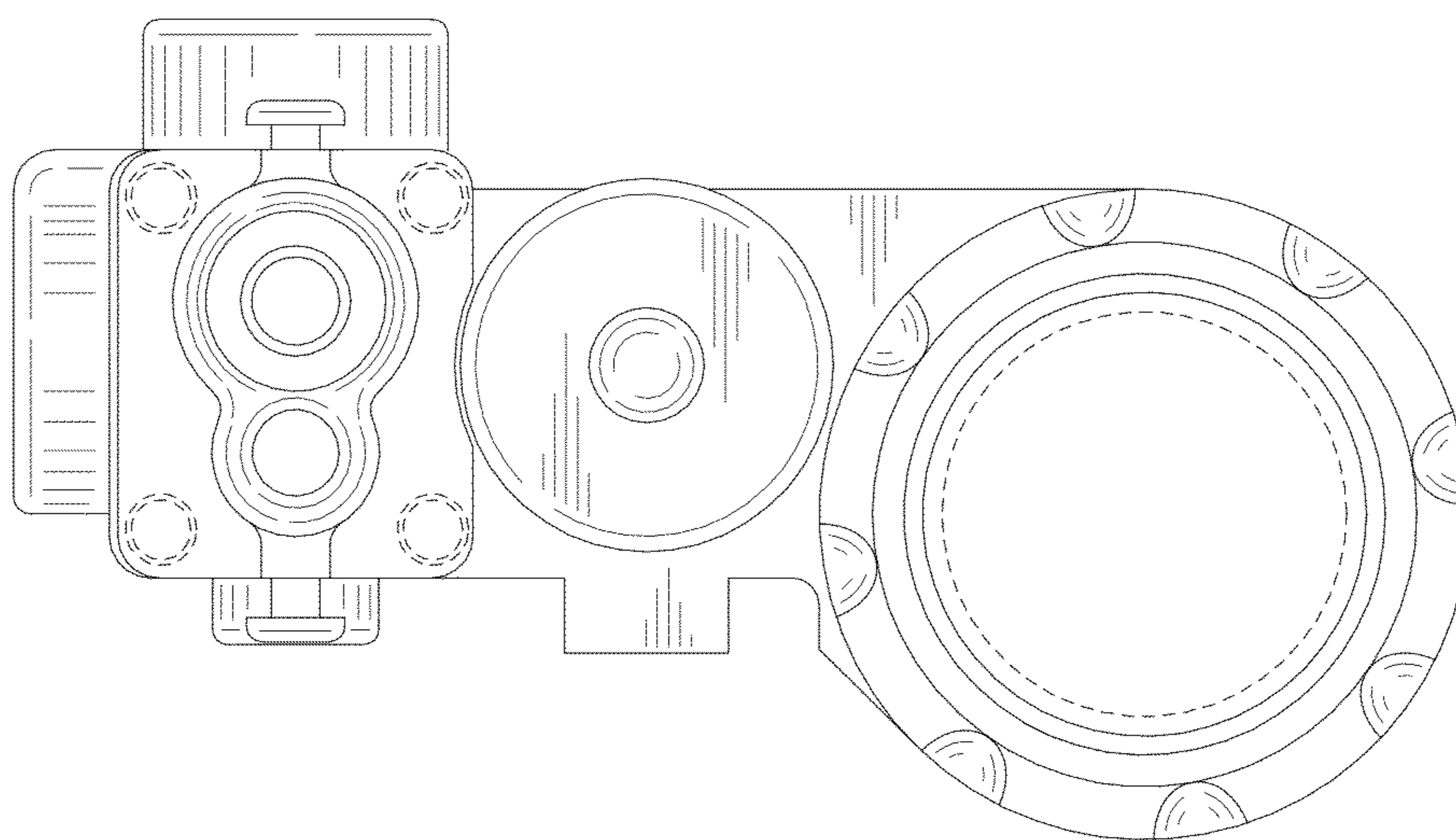


FIG. 4

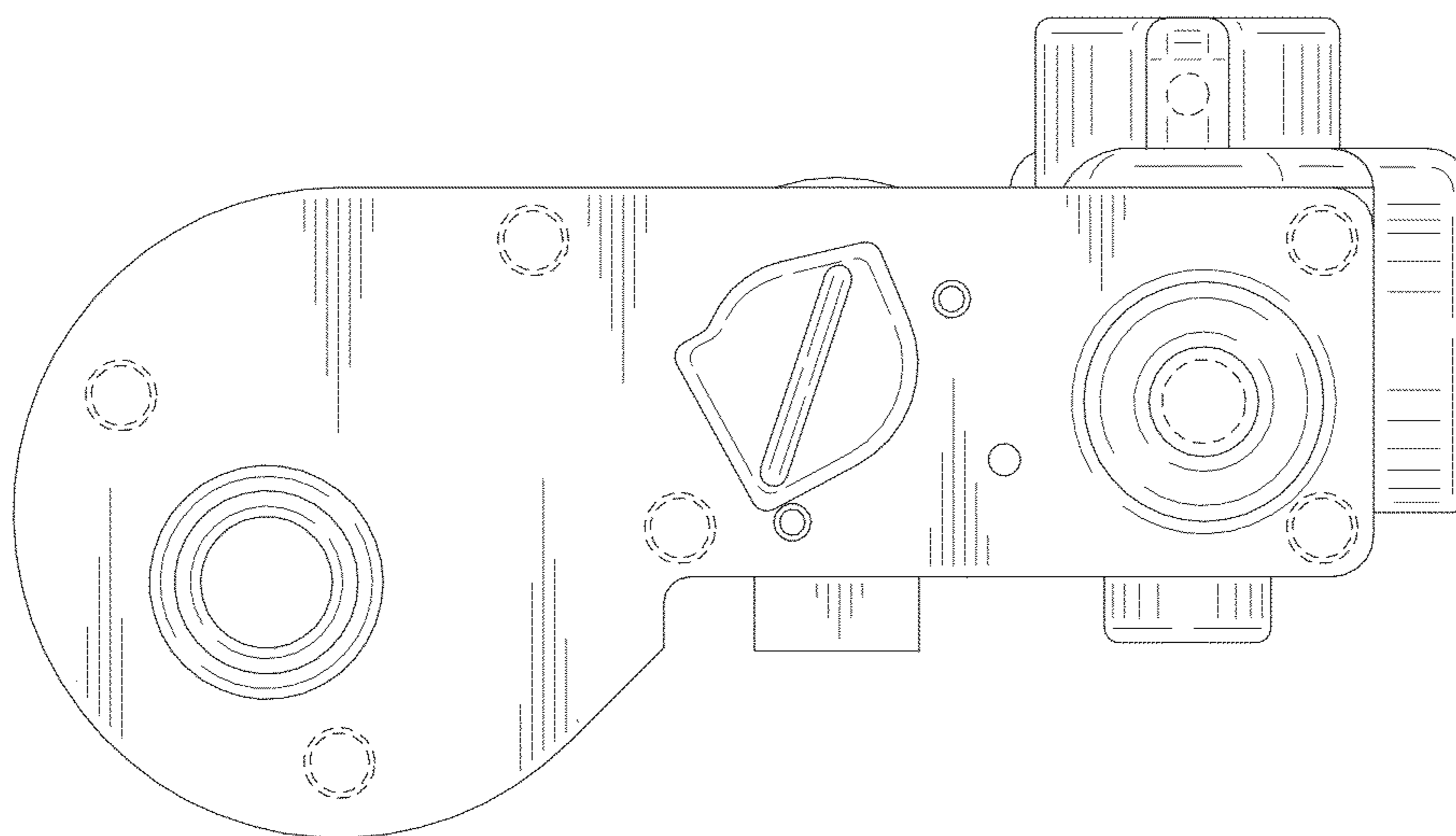


FIG. 5

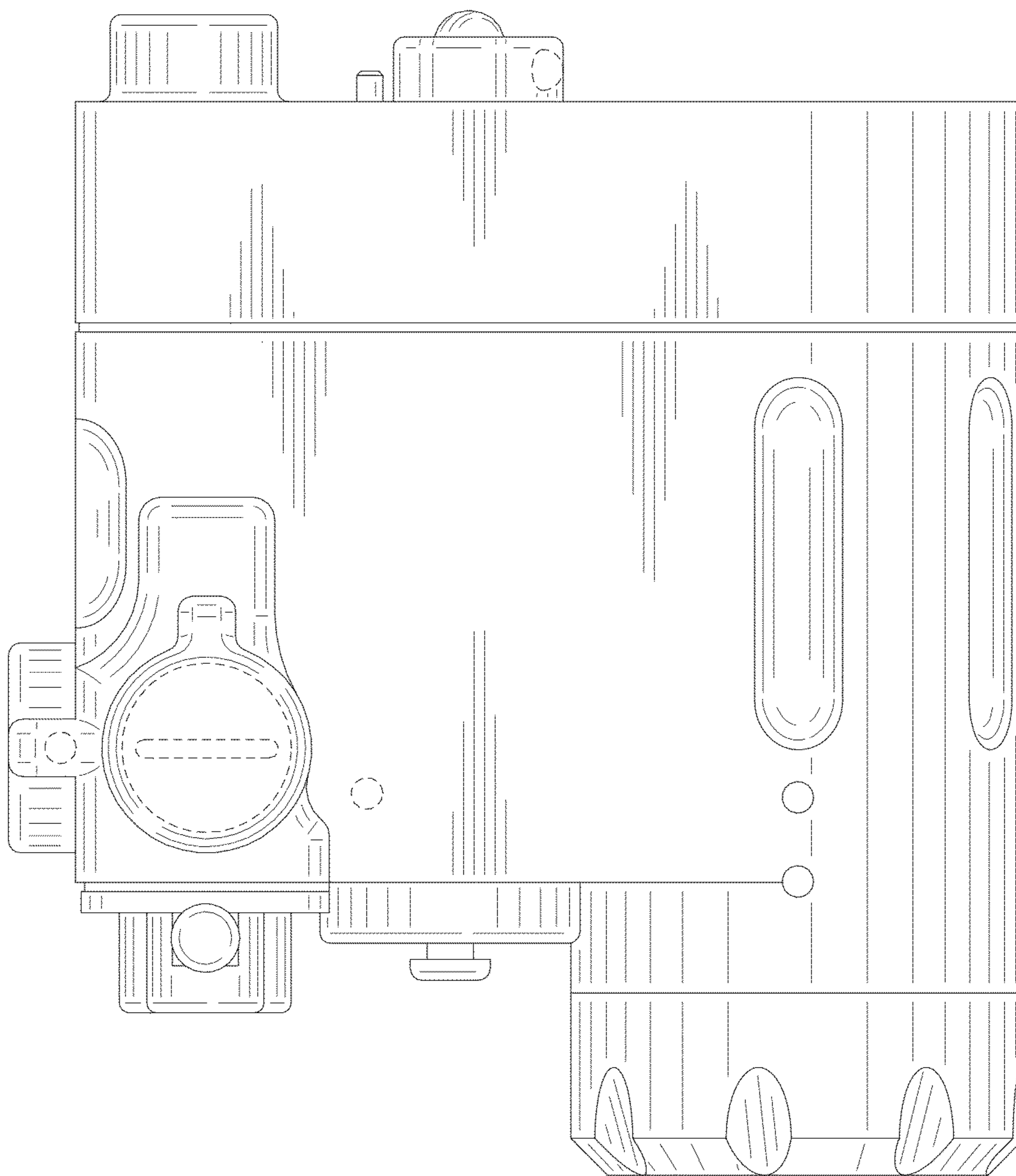


FIG. 6

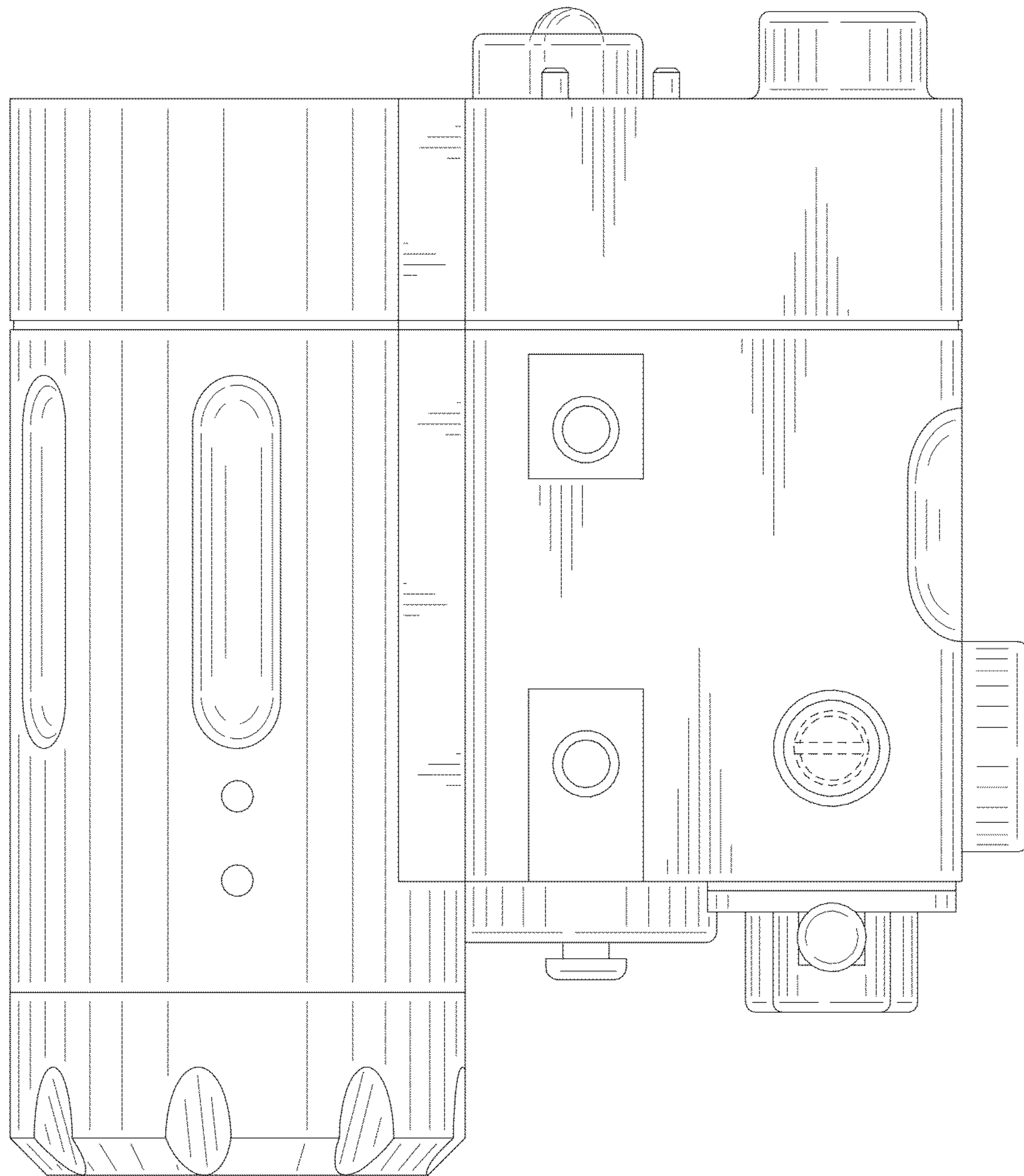


FIG. 7

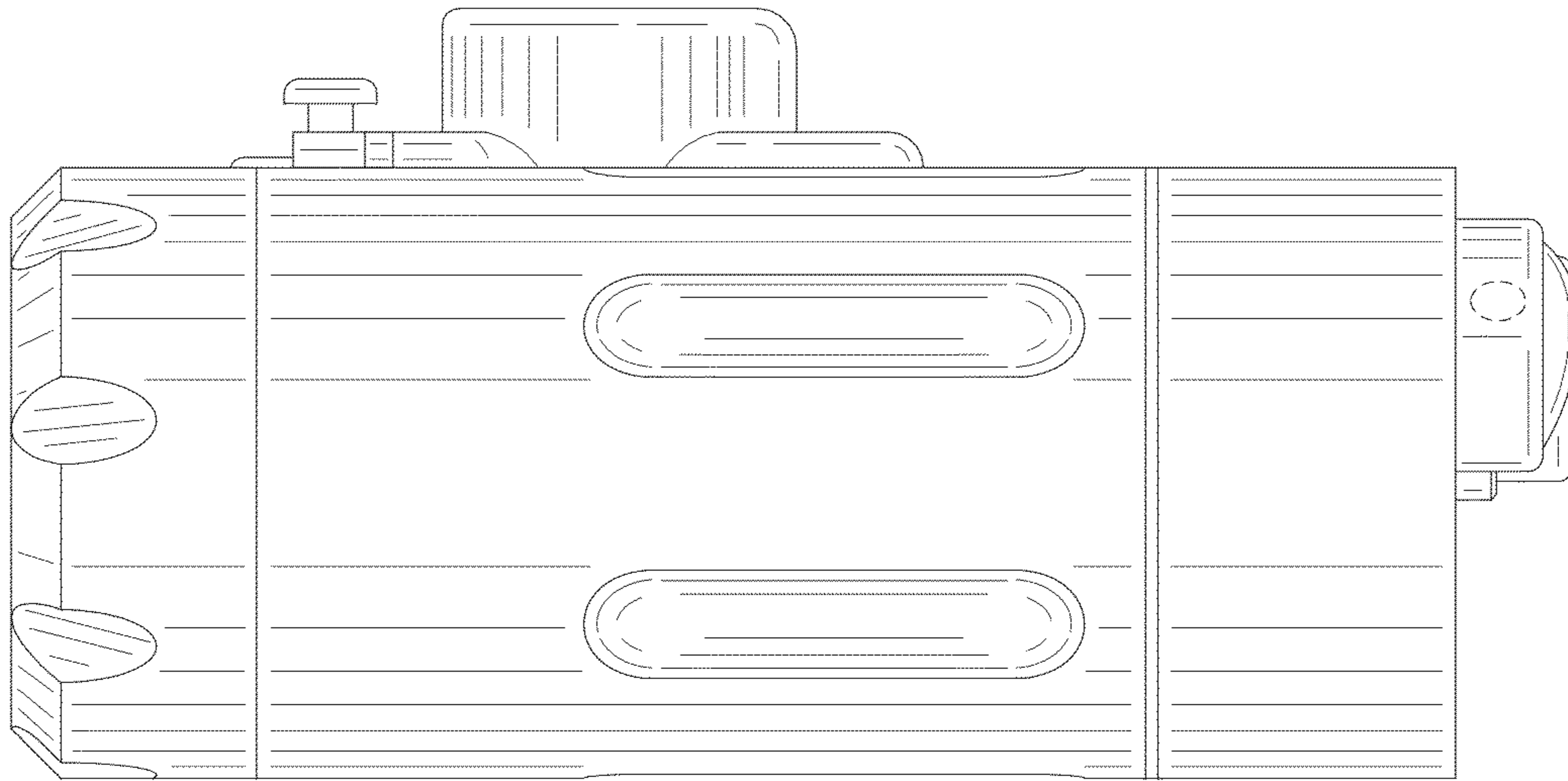


FIG. 8

