



US00D682976S

(12) **United States Design Patent**  
**Felix, III**

(10) **Patent No.:** **US D682,976 S**

(45) **Date of Patent:** **\*\* May 21, 2013**

(54) **RIFLE STABILIZER**

(76) Inventor: **Charles R. Felix, III**, Mesa, AZ (US)

(\*\*) Term: **14 Years**

(21) Appl. No.: **29/416,420**

(22) Filed: **Mar. 21, 2012**

(51) **LOC (9) Cl.** ..... **22-01**

(52) **U.S. Cl.**  
USPC ..... **D22/108**

(58) **Field of Classification Search**  
USPC ..... D22/108; 42/74, 94, 71.01-73; 89/40.06  
See application file for complete search history.

(56) **References Cited**

**U.S. PATENT DOCUMENTS**

1,815,480	A *	7/1931	Neal	118/205
D158,796	S	10/1948	Powell	
2,844,905	A *	7/1958	Walton et al.	42/94
3,208,351	A *	9/1965	Dubin	89/40.06
4,057,924	A	11/1977	Joseph	
D390,300	S	2/1998	Bliss	
5,937,560	A *	8/1999	Beltz	42/94
D430,257	S	8/2000	Chang	
D442,251	S	5/2001	Fitzgerald, Jr.	
6,305,116	B1 *	10/2001	Parker	42/94
D456,479	S	4/2002	Peterson	
7,124,528	B2	10/2006	Long	
D602,556	S	10/2009	Swan	

D604,382	S	11/2009	Swan	
D604,383	S	11/2009	Swan	
7,610,711	B2 *	11/2009	Oz	42/94
D609,768	S	2/2010	Moody et al.	
D617,863	S	6/2010	Moody et al.	
8,156,676	B1 *	4/2012	Moody	42/71.01
8,276,306	B2 *	10/2012	Lickteig	42/94
2002/0040544	A1 *	4/2002	Muhlestein	42/94
2007/0056202	A1 *	3/2007	Oz	42/94
2012/0311907	A1 *	12/2012	Cottle	42/71.01

\* cited by examiner

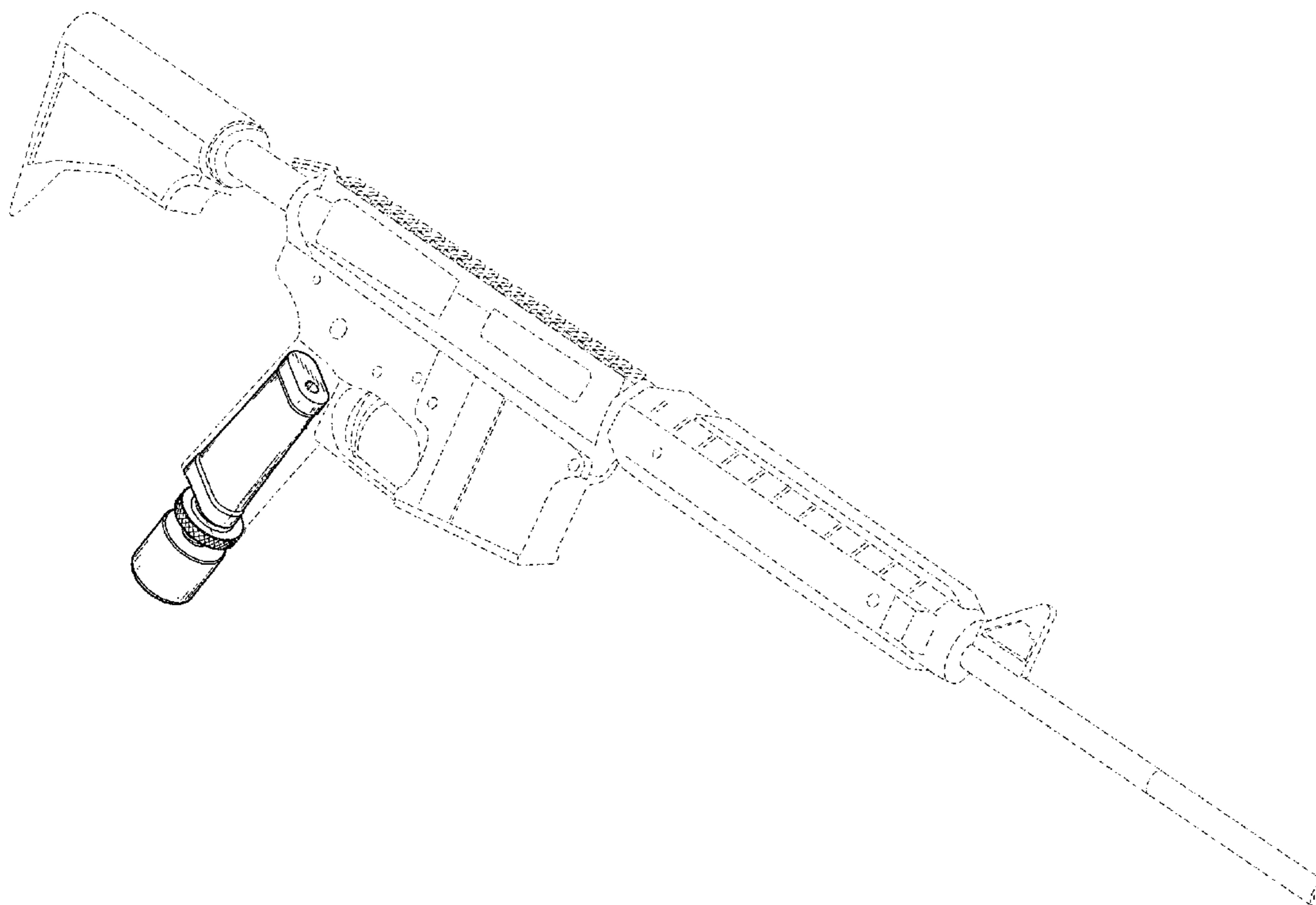
*Primary Examiner* — Michael A Pratt  
(74) *Attorney, Agent, or Firm* — QuickPatents; Kevin Prince

(57) **CLAIM**  
I claim the ornamental design for a rifle stabilizer, as shown and described.

**DESCRIPTION**

FIG. 1 is a perspective view of a rifle stabilizer, showing my new design;  
FIG. 2 is an enlarged perspective view thereof;  
FIG. 3 is a left-side elevational view of FIG. 2, the right-side elevational view being a mirror image thereof;  
FIG. 4 is a front elevational view of FIG. 2;  
FIG. 5 is a rear elevational view of FIG. 2;  
FIG. 6 is a top plan view of FIG. 2; and,  
FIG. 7 is a bottom plan view of FIG. 2.  
The broken lines showing an AR-15 firearm in FIG. 1 depict environmental matter and form no part of the claimed design.

**1 Claim, 2 Drawing Sheets**



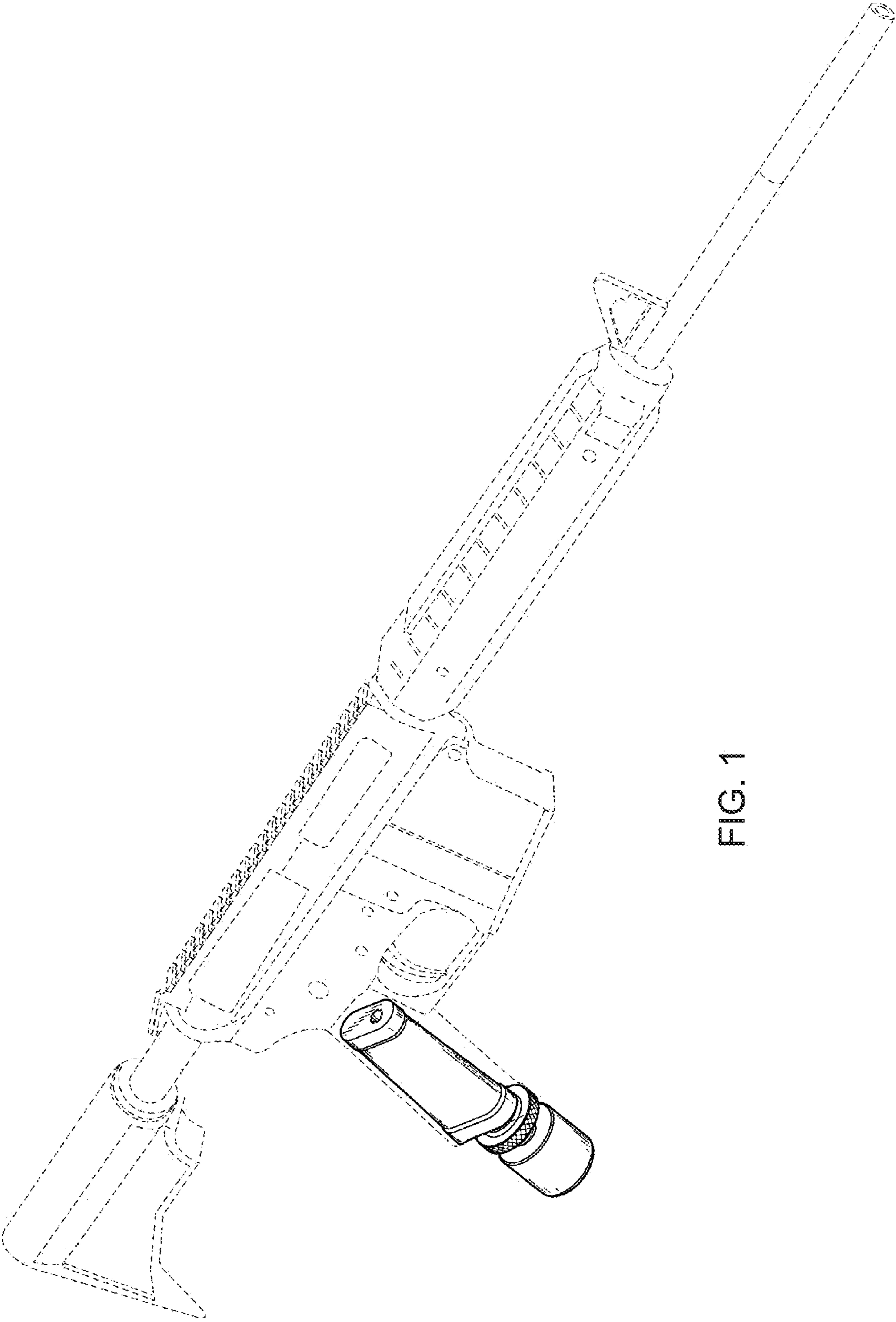


FIG. 1

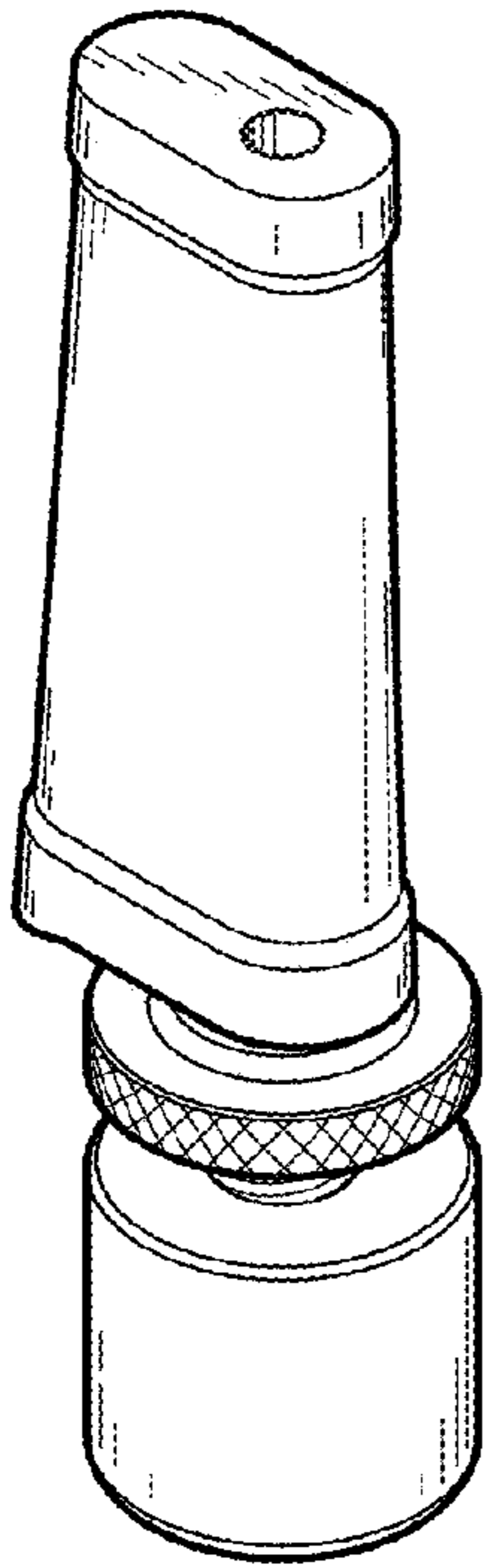


FIG. 2

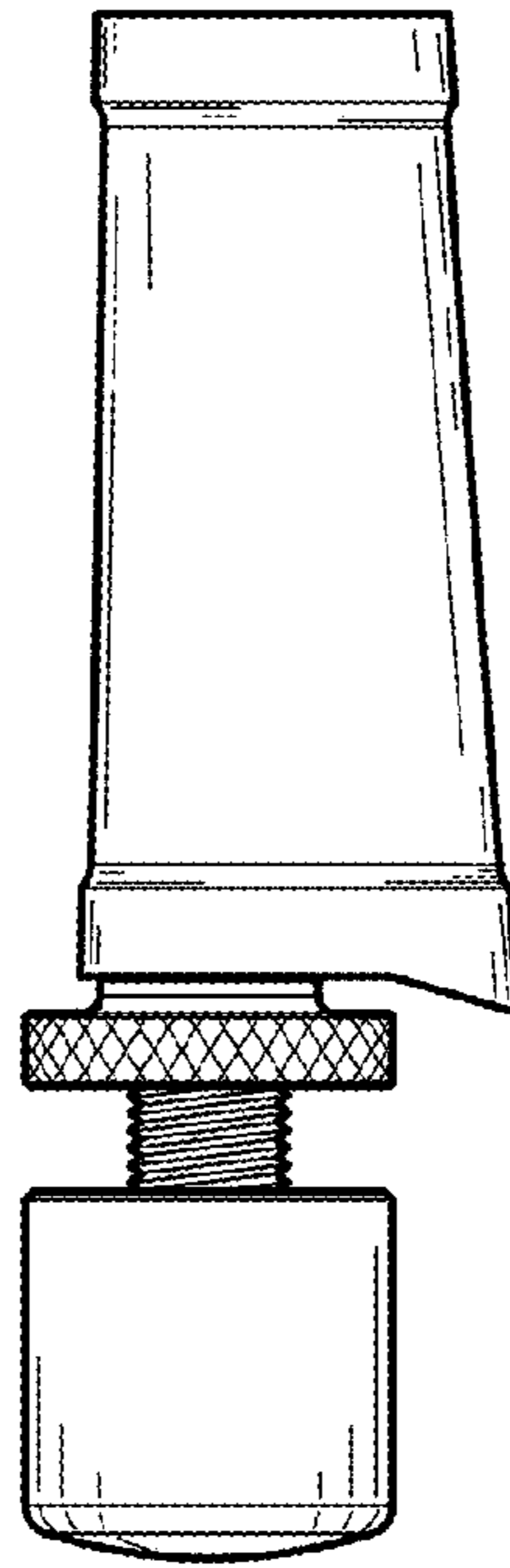


FIG. 3

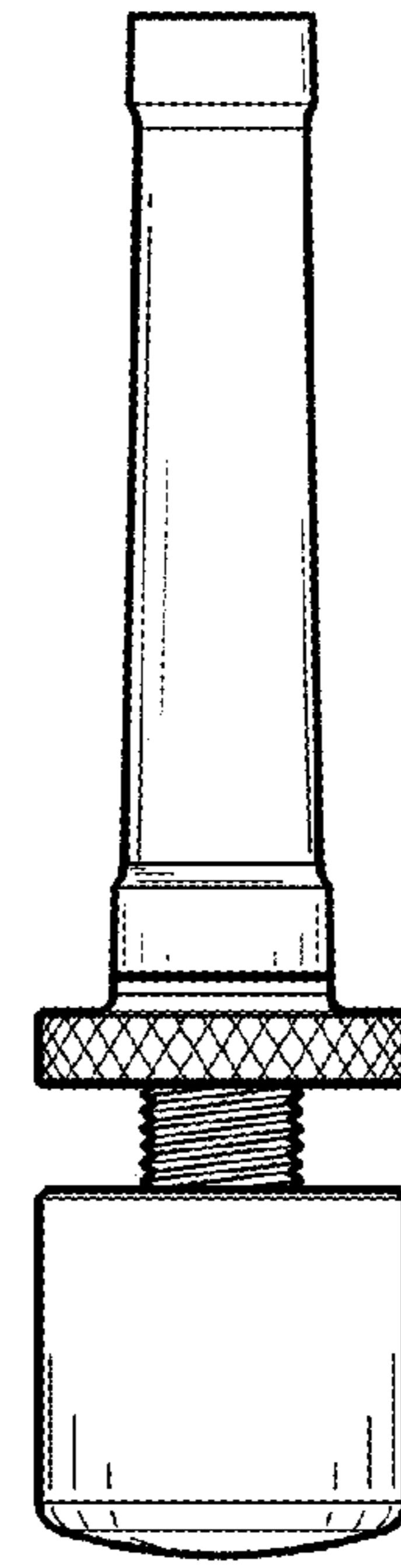


FIG. 4

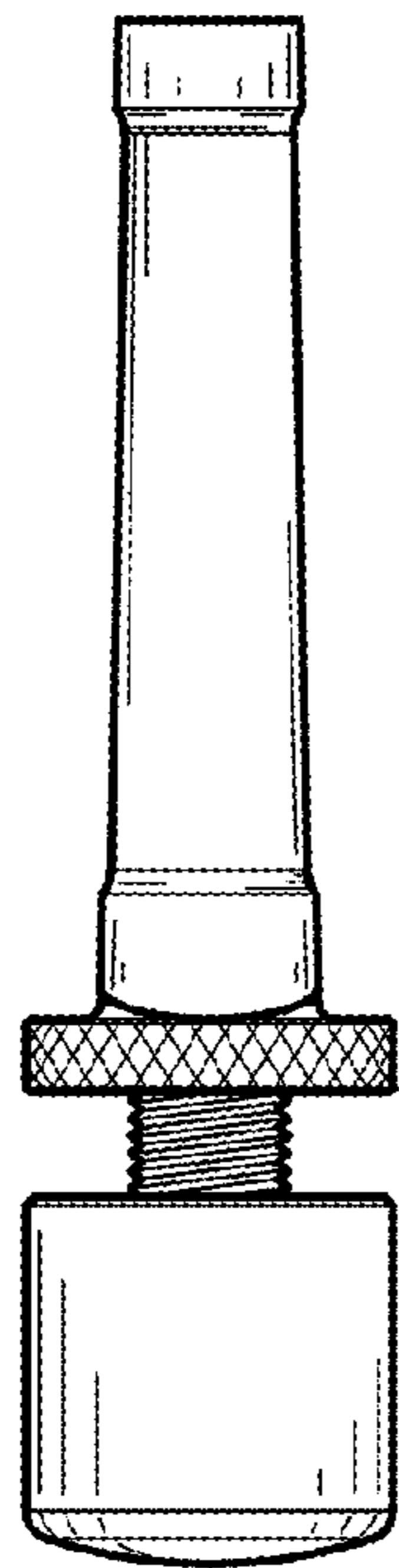


FIG. 5

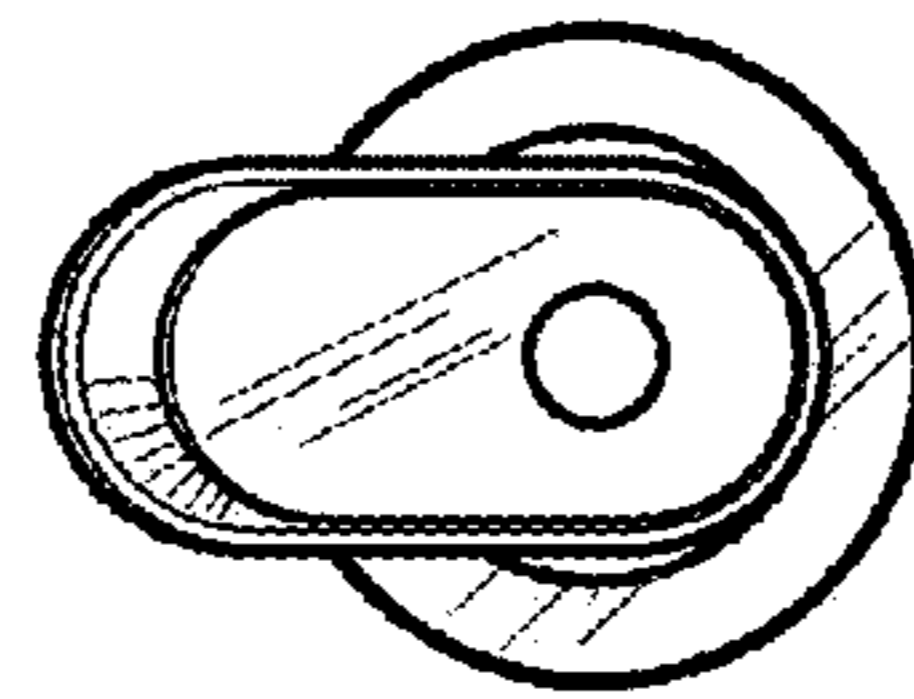


FIG. 6

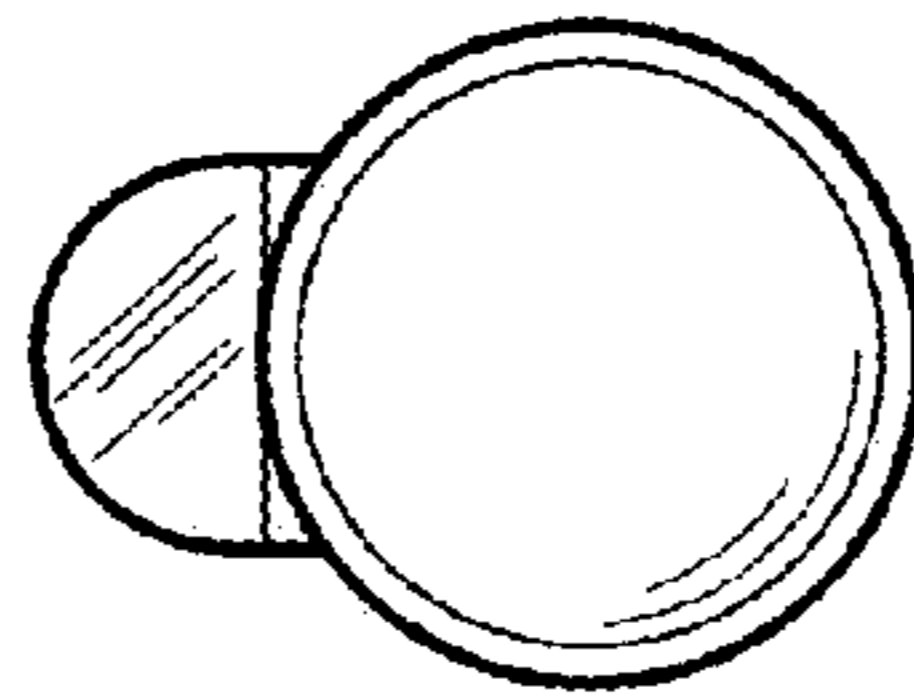


FIG. 7