



US00D682975S

(12) **United States Design Patent**  
**Honigmann**

(10) **Patent No.:** **US D682,975 S**

(45) **Date of Patent:** **\*\* May 21, 2013**

(54) **HOUSING FOR A FIREARM SOUND SUPPRESSOR**

(75) Inventor: **Karl R. Honigmann**, Anaheim Hills, CA (US)

(73) Assignee: **SureFire, LLC**, Fountain Valley, CA (US)

(\*\*) Term: **14 Years**

(21) Appl. No.: **29/410,782**

(22) Filed: **Jan. 12, 2012**

(51) **LOC (9) Cl.** ..... **22-01**

(52) **U.S. Cl.**  
USPC ..... **D22/108**

(58) **Field of Classification Search** ..... D22/108;  
D26/33, 37, 41, 48, 50; 42/76.01-76.1;  
89/14.05-14.5; 124/92  
See application file for complete search history.

(56) **References Cited**

U.S. PATENT DOCUMENTS

1,598,360	A *	8/1926	Pavek	.....	42/79
D279,812	S *	7/1985	Cellini	.....	D22/108
D475,798	S *	6/2003	Galli	.....	D26/37
D476,103	S *	6/2003	Galli	.....	D26/37
D501,054	S *	1/2005	Galli	.....	D26/37
6,948,415	B2	9/2005	Matthews et al.		
D549,860	S *	8/2007	Gustafson et al.	.....	D26/37
D557,839	S *	12/2007	Shiu	.....	D26/37
D566,309	S *	4/2008	Kornfeld et al.	.....	D26/37
D577,449	S *	9/2008	Shiu	.....	D26/49
D577,844	S *	9/2008	Shiu	.....	D26/49
D579,595	S *	10/2008	Shiu	.....	D26/49
D593,631	S *	6/2009	Salva	.....	D22/108
D595,439	S *	6/2009	Haight et al.	.....	D26/49
7,594,464	B2	9/2009	Dueck		
D605,798	S *	12/2009	Kim	.....	D26/49
D605,799	S *	12/2009	Kim	.....	D26/49
7,676,976	B2	3/2010	Dueck et al.		

7,789,008	B2	9/2010	Petersen		
7,832,323	B1	11/2010	Davies		
7,856,914	B2	12/2010	Shults et al.		
7,946,069	B2	5/2011	Dueck et al.		
D639,375	S	6/2011	Oliver		
D642,649	S *	8/2011	Oliver	.....	D22/108
8,015,908	B2	9/2011	Kline et al.		
8,100,224	B1	1/2012	Olson		
2012/0125184	A1 *	5/2012	Meyers	.....	89/14.2

OTHER PUBLICATIONS

U.S. Appl. No. 13/348,811, filed Jan. 12, 2012, inventors: Dueck et al.  
U.S. Appl. No. 13/348,834, filed Jan. 12, 2012, inventor: Barry W. Dueck.

(Continued)

*Primary Examiner* — Michael A Pratt

(74) *Attorney, Agent, or Firm* — Haynes and Boone, LLP

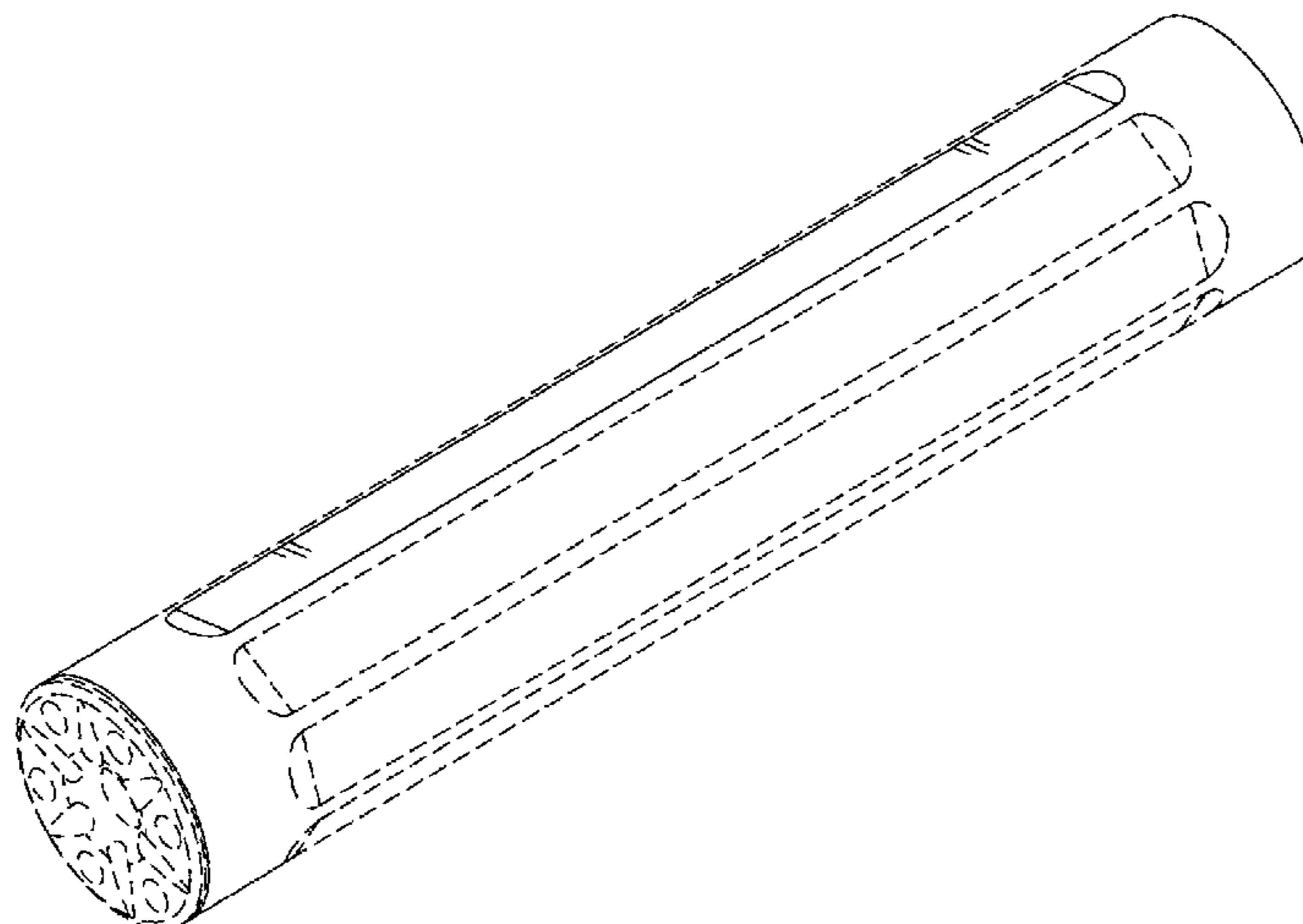
(57) **CLAIM**

The ornamental design for a housing for a firearm sound suppressor, as shown and described.

**DESCRIPTION**

FIG. 1 is a front perspective view of a housing for a firearm sound suppressor showing the new design; FIG. 2 is a rear perspective view thereof; FIG. 3 is a front side elevational view thereof; FIG. 4 is a rear side elevational view thereof; FIG. 5 is a right side elevational view thereof; FIG. 6 is a left side elevational view thereof; FIG. 7 is a top plan view thereof; and FIG. 8 is a bottom plan view thereof; and, FIG. 9 is a right side elevational view of the housing implemented as part of an example firearm sound suppressor mounted on an example firearm. The broken lines in the drawings illustrate environmental features and form no part of the claimed design.

**1 Claim, 9 Drawing Sheets**



OTHER PUBLICATIONS

U.S. Appl. No. 13/348,870, filed Jan. 12, 2012, inventor: Barry W. Dueck.

U.S. Appl. No. 13/348,898, filed Jan. 12, 2012, inventor: Barry W. Dueck.

U.S. Appl. No. 13/348,924, filed Jan. 12, 2012, inventors: Honigmann et al.

U.S. Appl. No. 29/410,783, filed Jan. 12, 2012, inventor: Barry W. Dueck.

U.S. Appl. No. 29/410,780, filed Jan. 12, 2012, inventor: Karl R. Honigmann.

\* cited by examiner

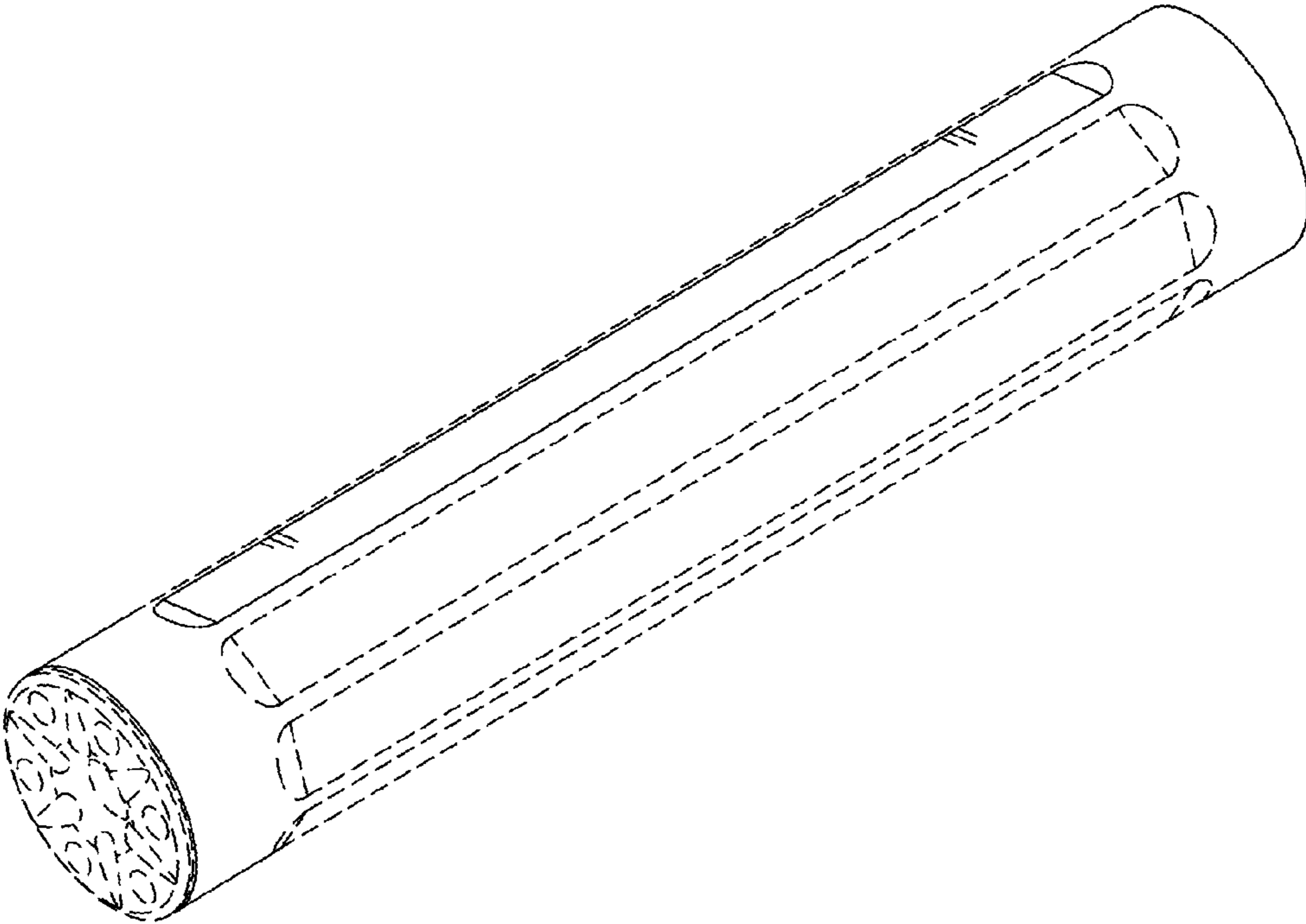


FIG. 1

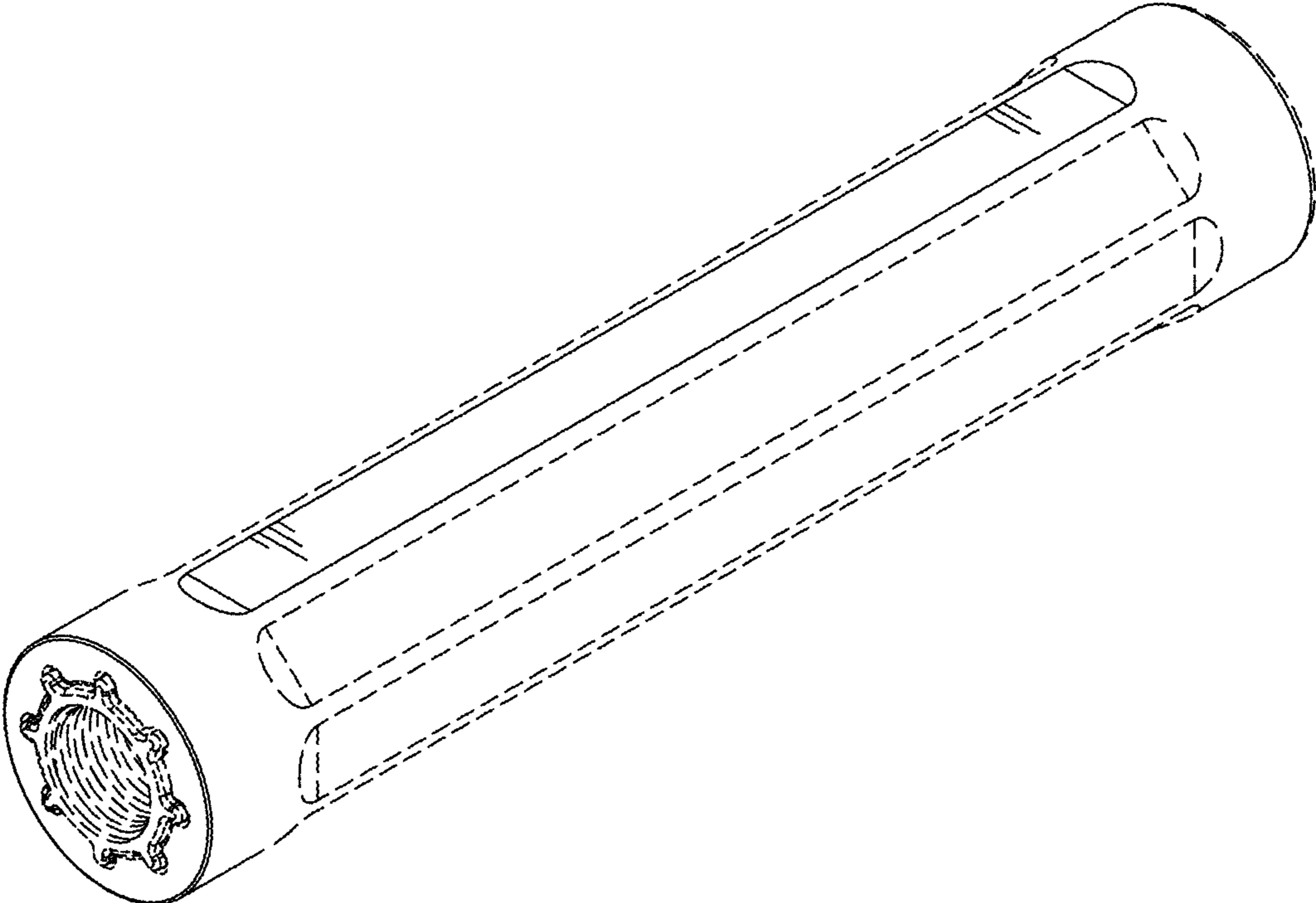


FIG. 2

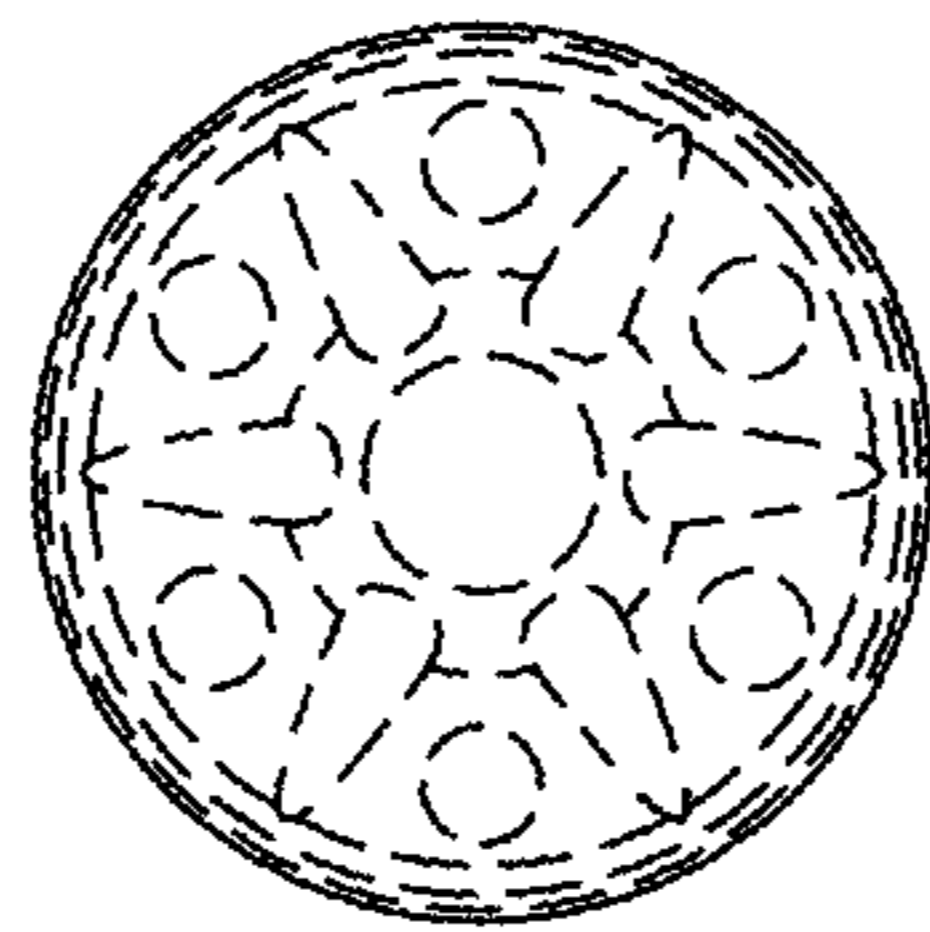


FIG. 3

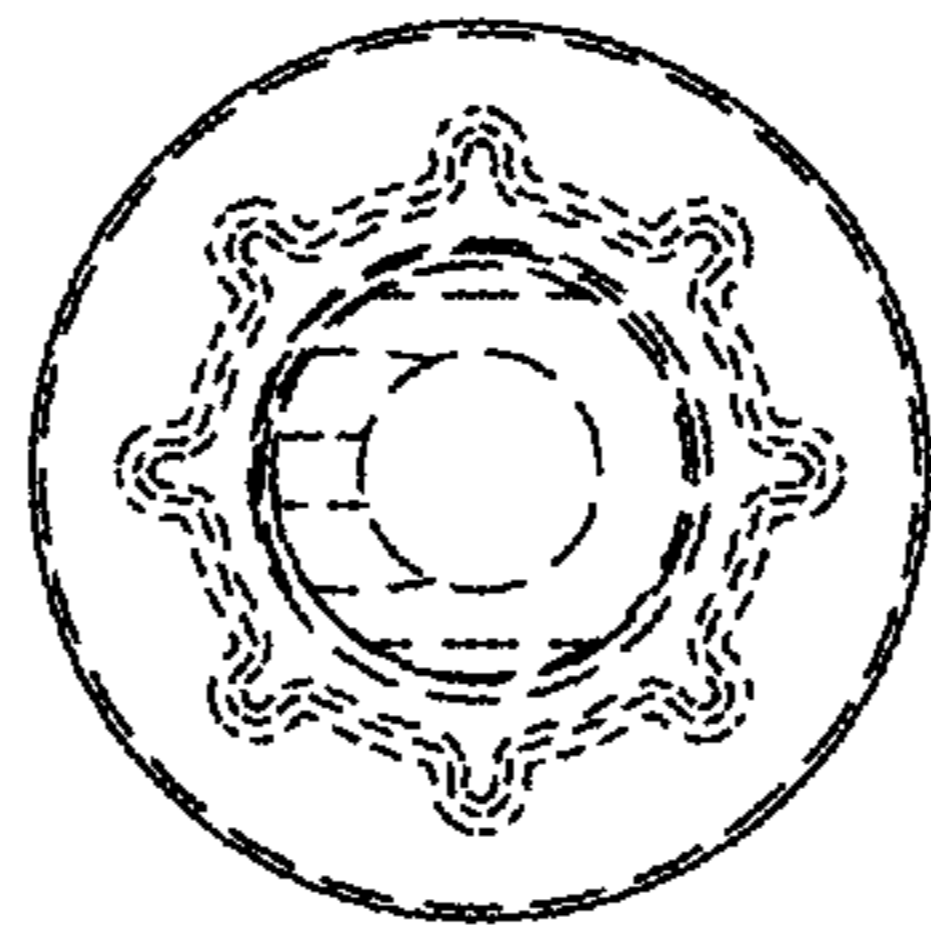


FIG. 4

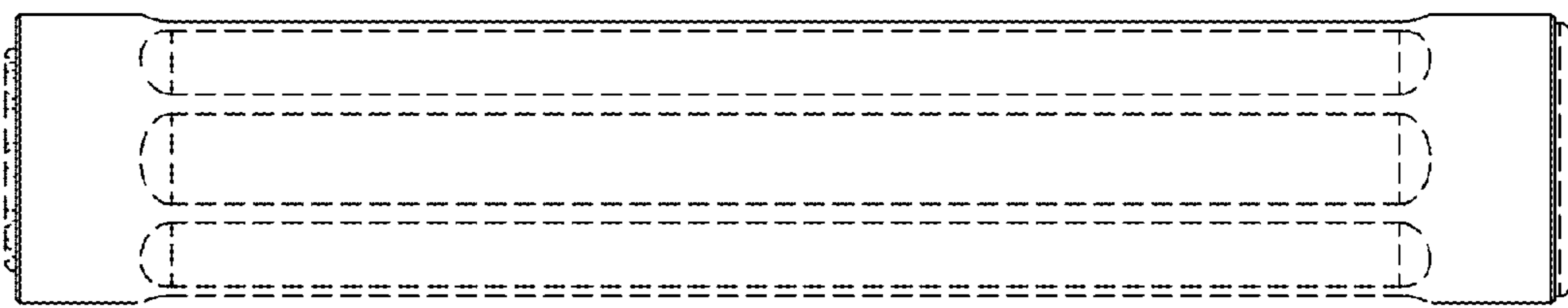


FIG. 5

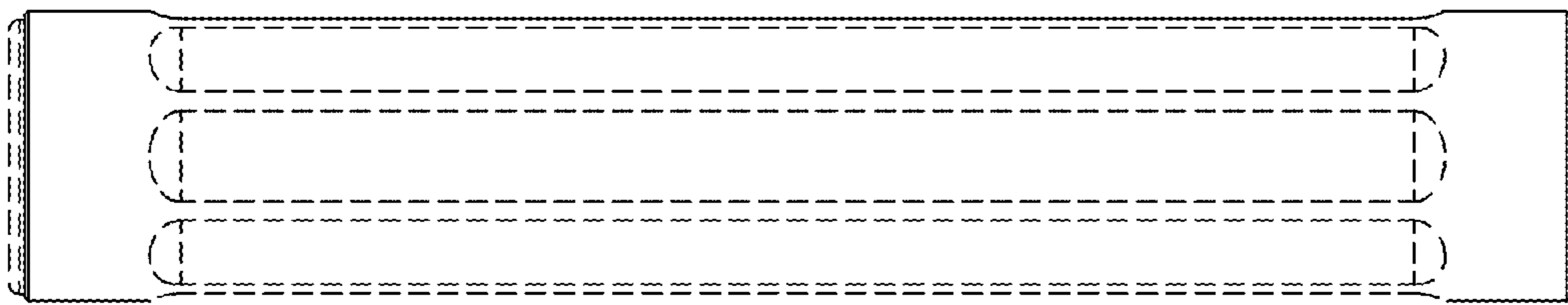


FIG. 6



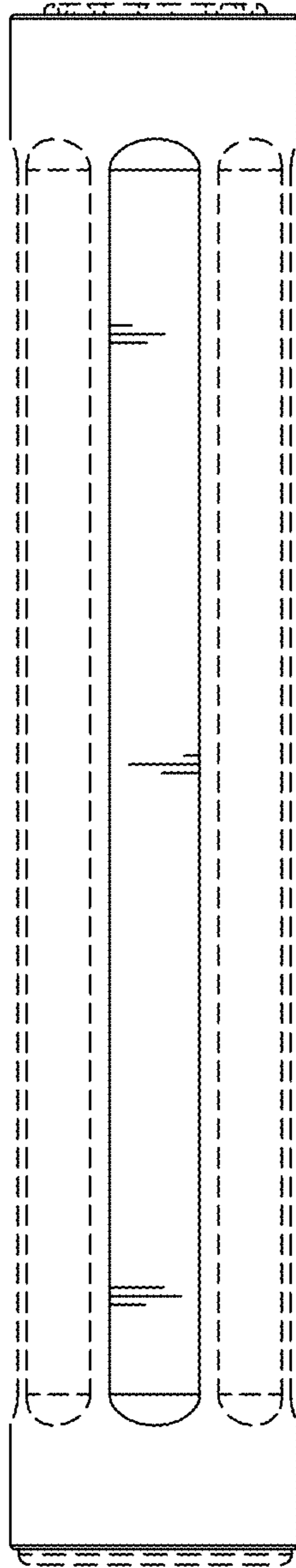


FIG. 7

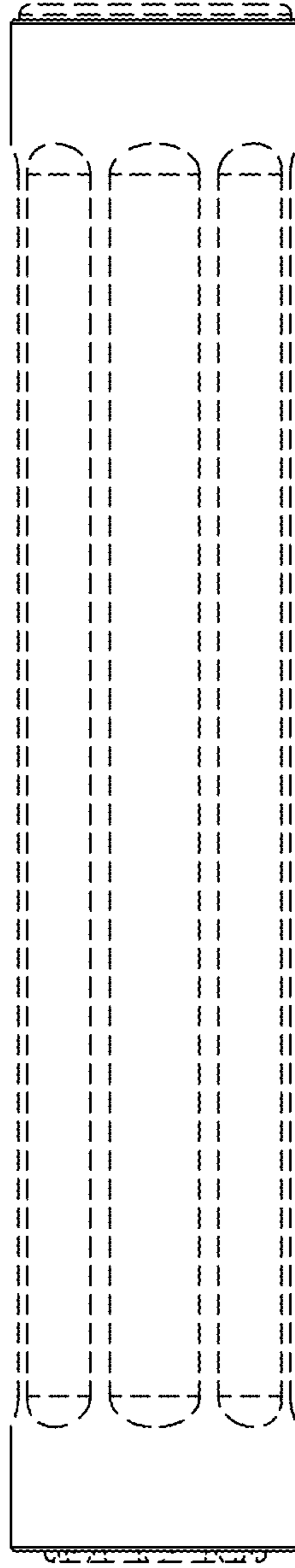


FIG. 8

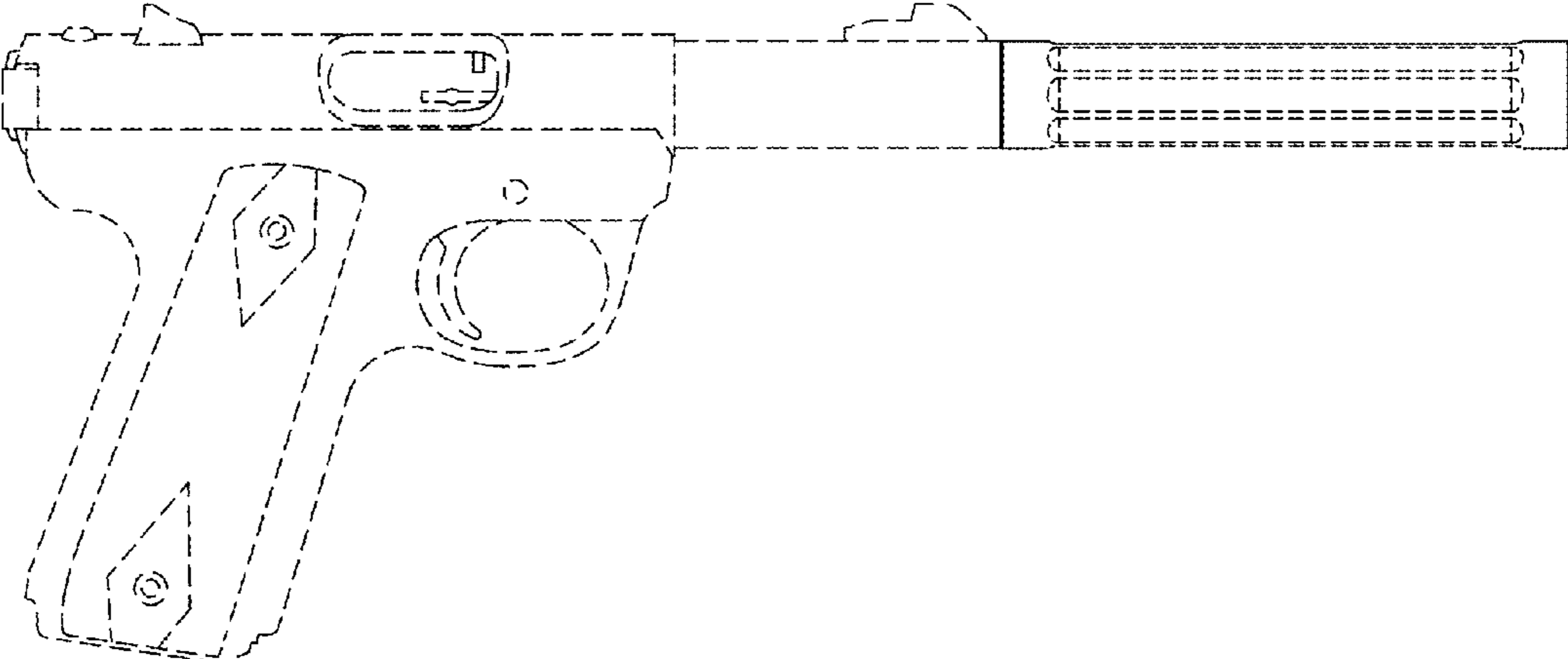


FIG. 9