



US00D682973S

(12) **United States Design Patent**
KasanJian-King

(10) **Patent No.:** **US D682,973 S**

(45) **Date of Patent:** **** May 21, 2013**

(54) **STOCK MOUNT ASSEMBLY**

(76) Inventor: **Zackary KasanJian-King**, Blue Jay, CA
(US)

(**) Term: **14 Years**

(21) Appl. No.: **29/407,297**

(22) Filed: **Nov. 28, 2011**

(51) **LOC (9) Cl.** **22-01**

(52) **U.S. Cl.**
USPC **D22/108**

(58) **Field of Classification Search** D22/103;
D21/572-573; 124/67, 66, 72, 74; 89/40.06,
89/41.19, 37.04, 33.04, 191.01, 200-204
See application file for complete search history.

D631,526	S	*	1/2011	Torre et al.	D22/108
D637,681	S	*	5/2011	Bentley et al.	D22/108
D642,228	S	*	7/2011	Torre et al.	D21/573
D662,167	S	*	6/2012	Juarez	D22/103
D670,782	S	*	11/2012	Barrett	D22/103
2011/0314717	A1	*	12/2011	Barrett	42/75.03
2012/0023800	A1	*	2/2012	Laney	42/8
2013/0000477	A1	*	1/2013	Larue	89/37.04

* cited by examiner

Primary Examiner — Michael A Pratt

(74) *Attorney, Agent, or Firm* — Kirk A. Buhler; Buhler & Associates

(57) **CLAIM**

The ornamental design for a stock mount assembly, as shown and described.

DESCRIPTION

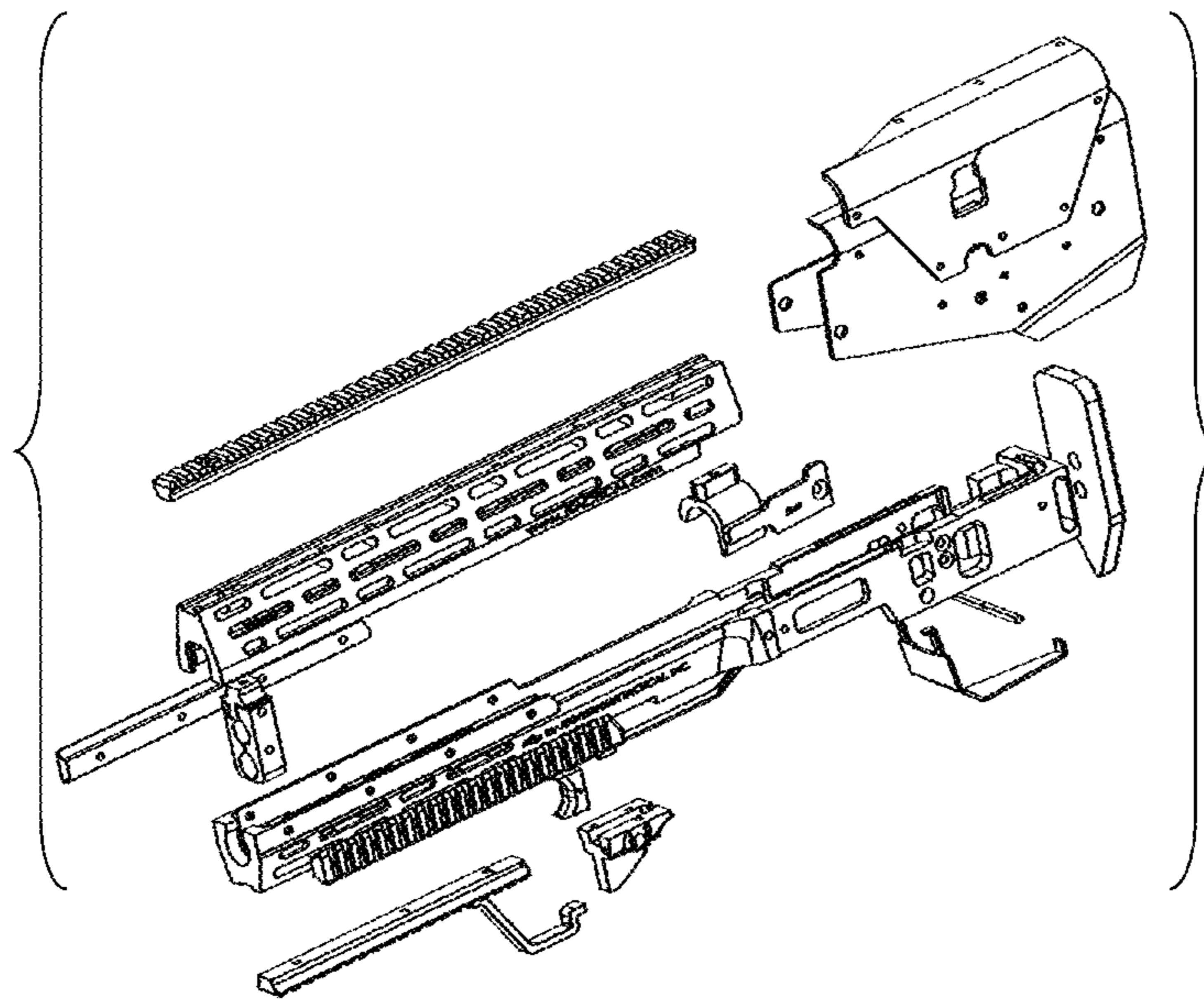
FIG. 1 is a top front perspective view for a stock mount assembly showing my new design; FIG. 2 is a right side view thereof; FIG. 3 is a left side view thereof; FIG. 4 is a back side view thereof; FIG. 5 is a front side view thereof; FIG. 6 is a bottom side view thereof; FIG. 7 is a top side view thereof; FIG. 8 is a bottom side view taken along lines 8-8 from FIG. 3 thereof; FIG. 9 is a top side view taken along lines 9-9 from FIG. 3 thereof; FIG. 10 is a front side view taken along lines 9-9 from FIG. 3 thereof; FIG. 11 is a back side view taken along lines 9-9 from FIG. 3 thereof; and, FIG. 12 is a back side view taken along lines 9-9 from FIG. 3 thereof.

1 Claim, 7 Drawing Sheets

(56) **References Cited**

U.S. PATENT DOCUMENTS

D216,014	S	11/1969	Dupont	
3,922,794	A	12/1975	Ackerman, Jr.	
D256,830	S	9/1980	Bechtel	
D269,989	S	8/1983	Ross	
D291,469	S	8/1987	Bechtel	
D291,470	S	8/1987	Bechtel	
D318,313	S	7/1991	Bechtel	
D322,834	S	12/1991	Lawlor	
5,711,102	A	*	1/1998	Plaster et al. 42/71.01
D391,334	S	*	2/1998	Plaster et al. D22/108
5,784,822	A	7/1998	Korapaty	
6,301,817	B1	*	10/2001	Hogue et al. 42/71.01
6,487,805	B1	*	12/2002	Reynolds 42/75.03
6,637,142	B1	*	10/2003	Reynolds 42/75.03
7,240,451	B2	7/2007	Blair	
D567,895	S	*	4/2008	Cauley D22/108
7,665,240	B1	*	2/2010	Bentley 42/75.03
7,726,060	B1	*	6/2010	Jones 42/75.02
7,802,392	B2	*	9/2010	Peterson et al. 42/75.03
7,823,319	B2	*	11/2010	Casas Salva 42/96
7,827,724	B1	11/2010	Spinelli	



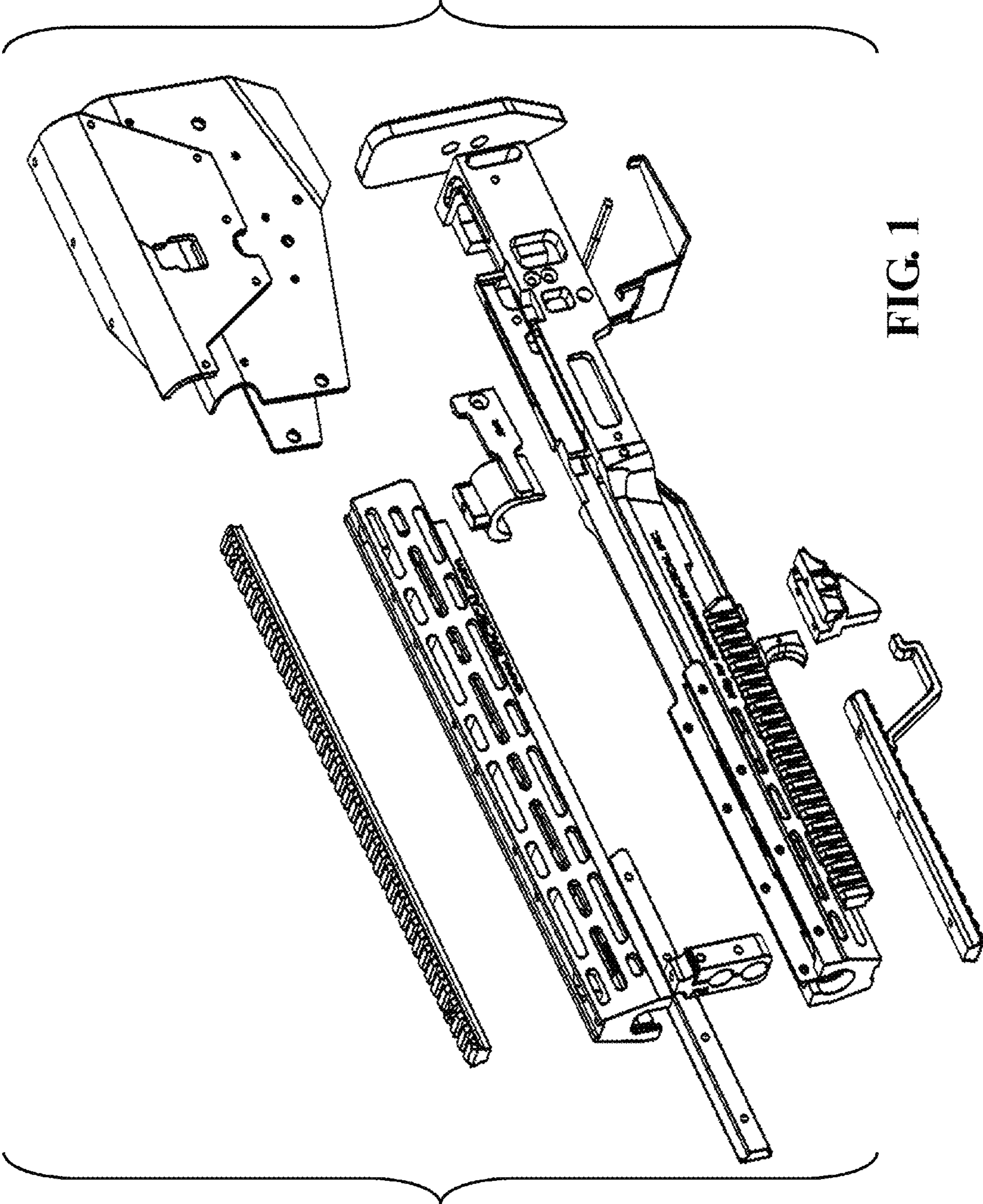


FIG. 1

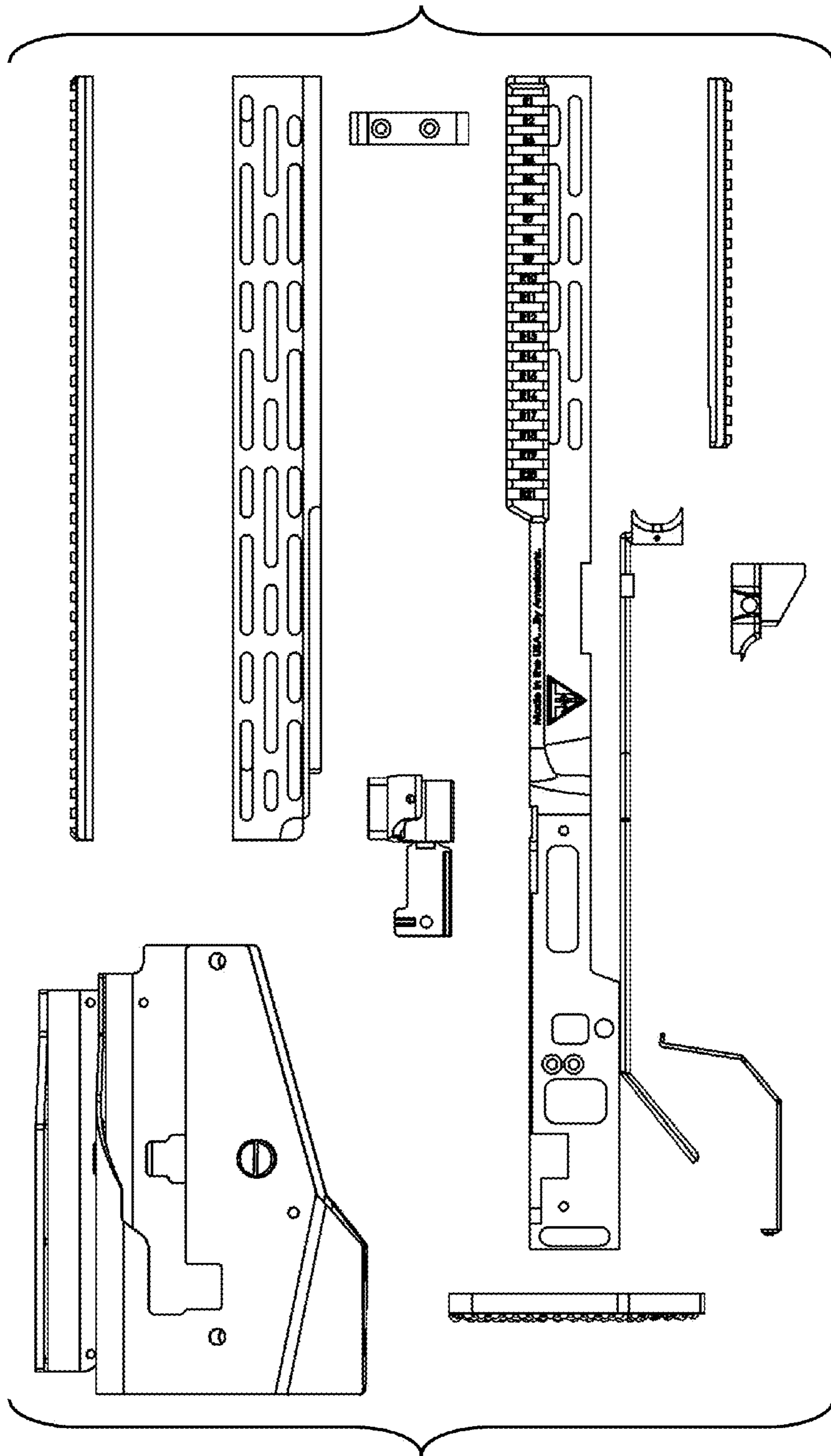


FIG. 2

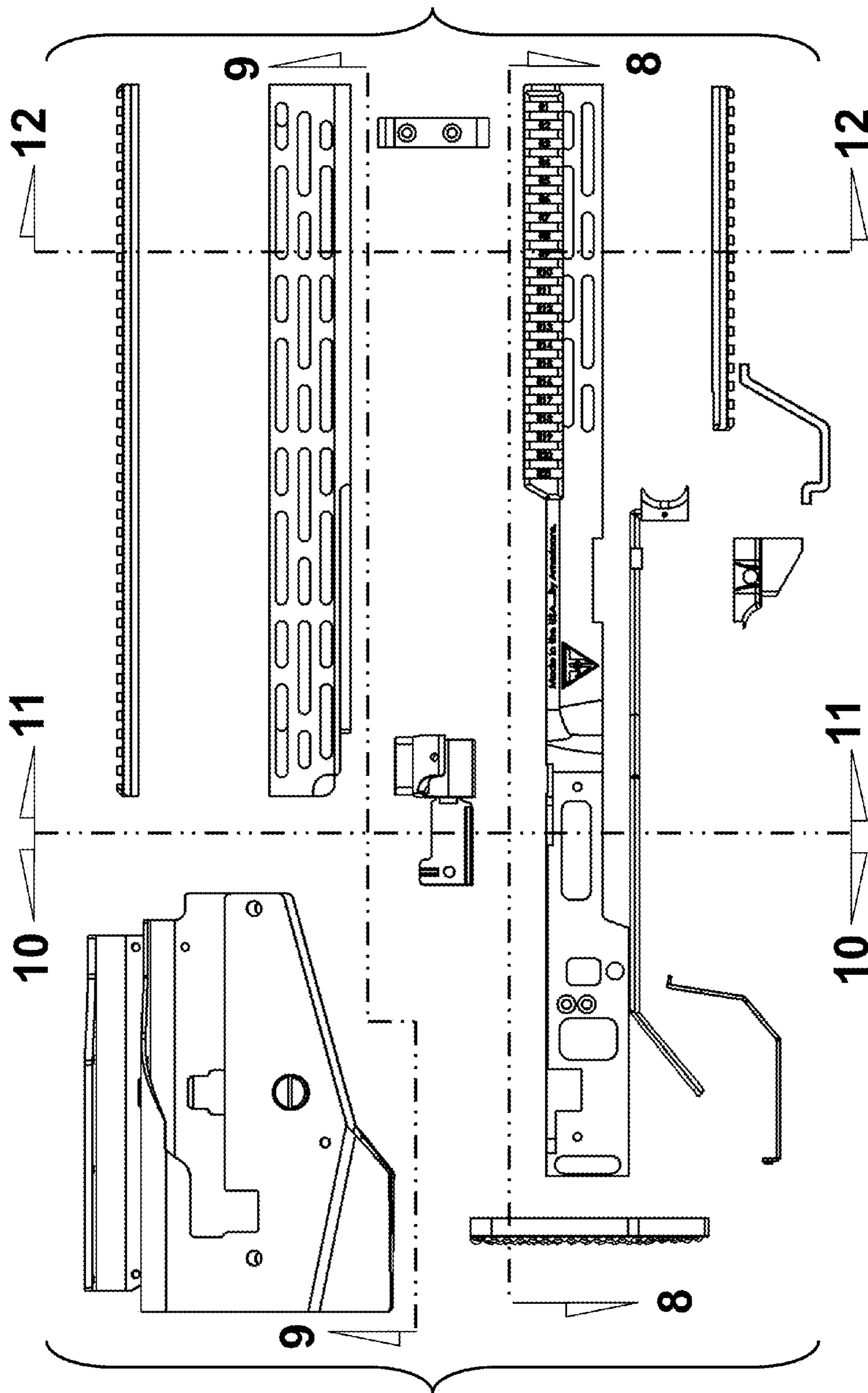


FIG. 3

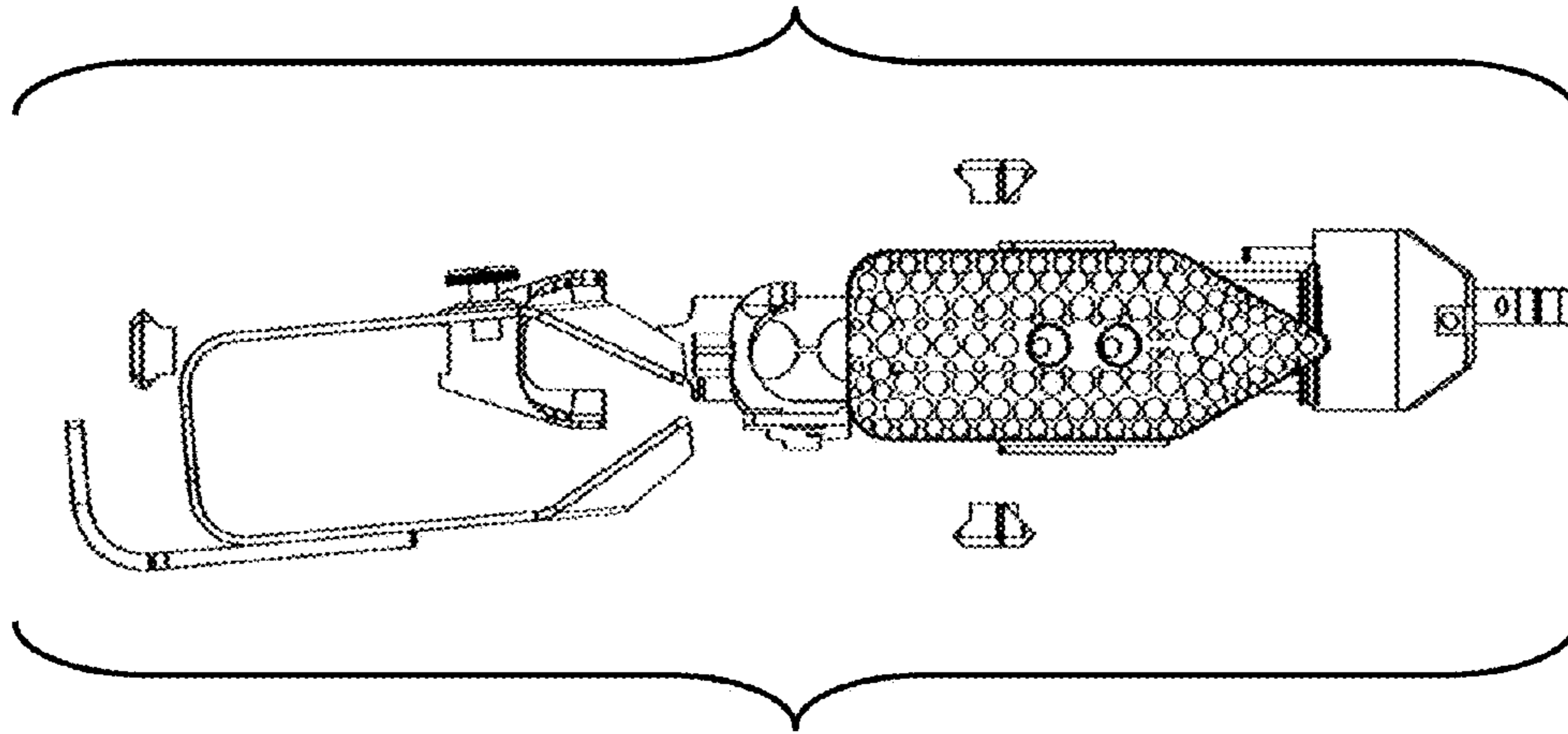


FIG. 4

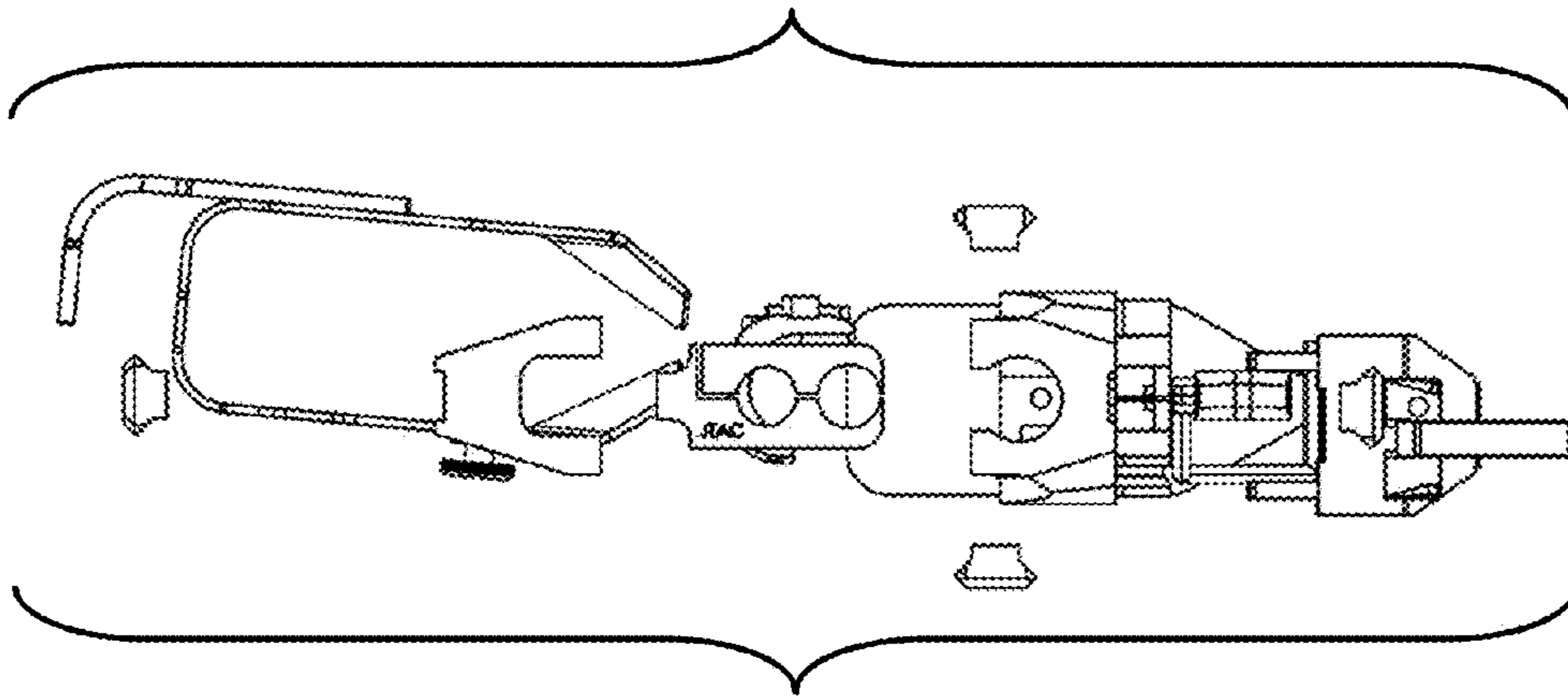


FIG. 5

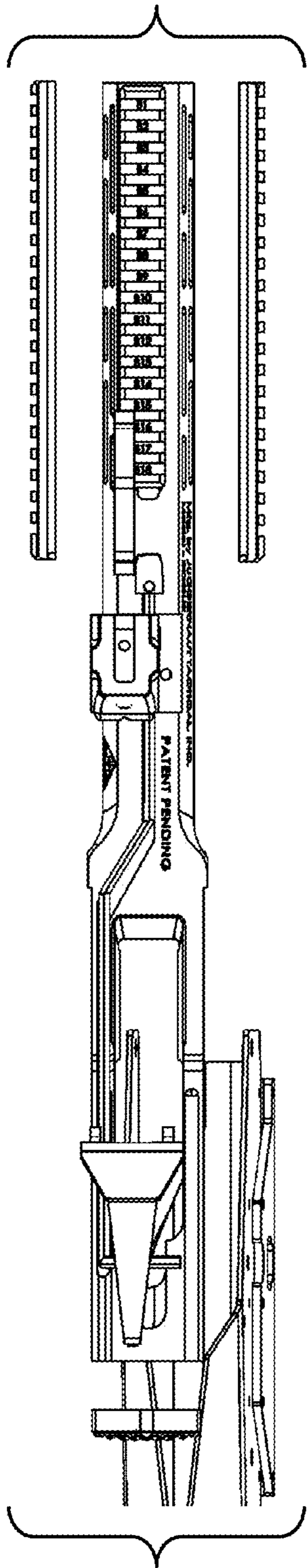


FIG. 6

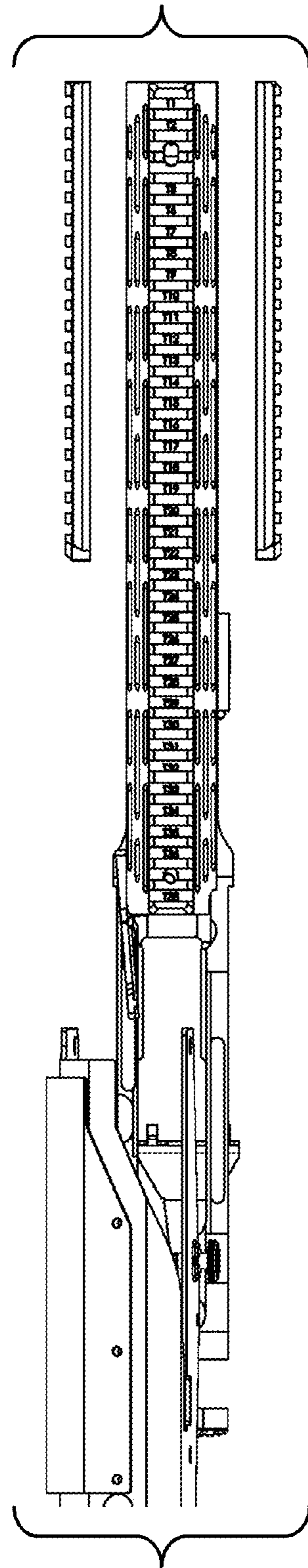


FIG. 7

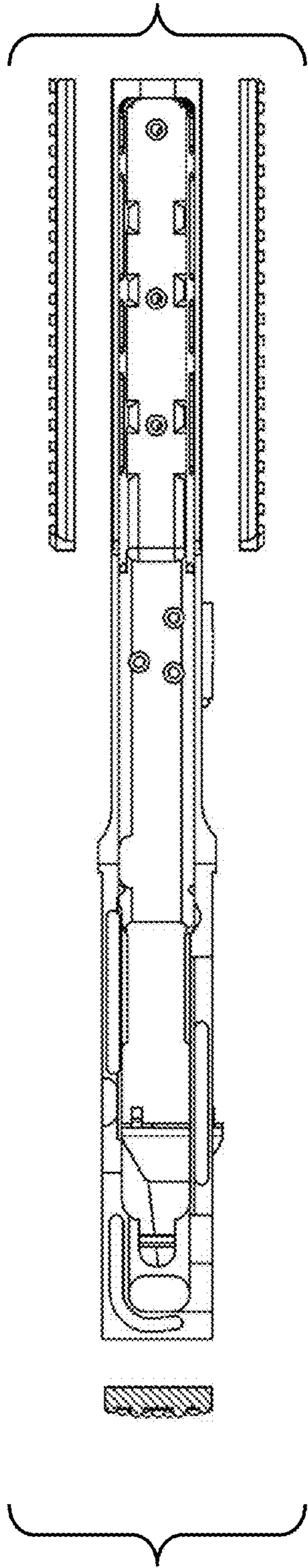


FIG. 8

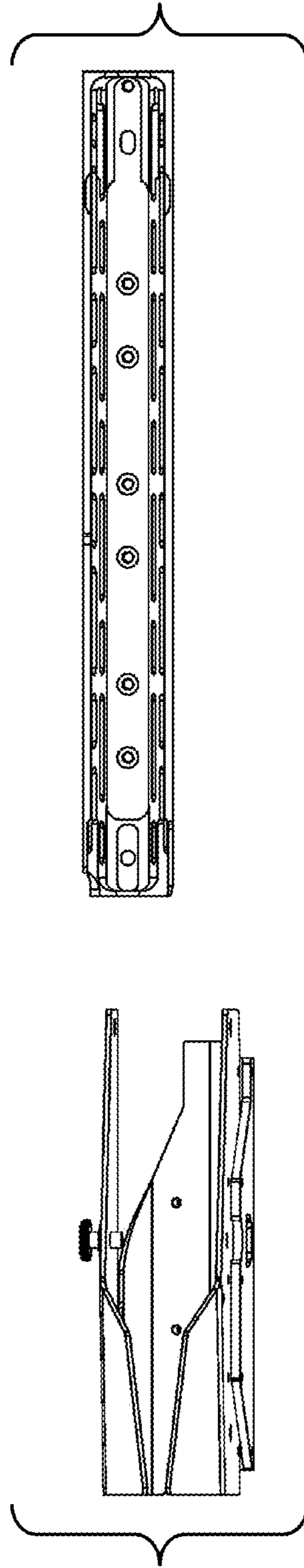


FIG. 9

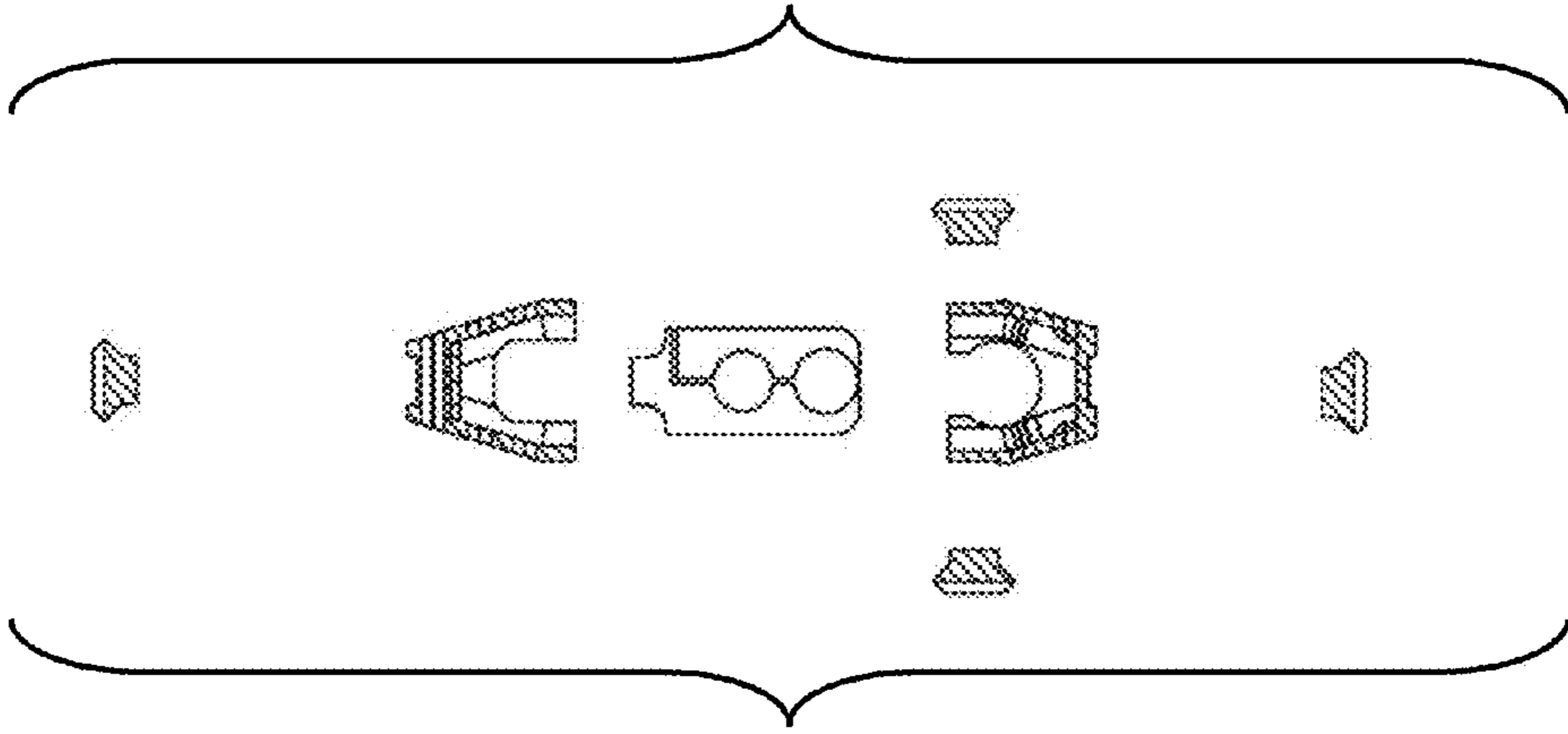


FIG. 12

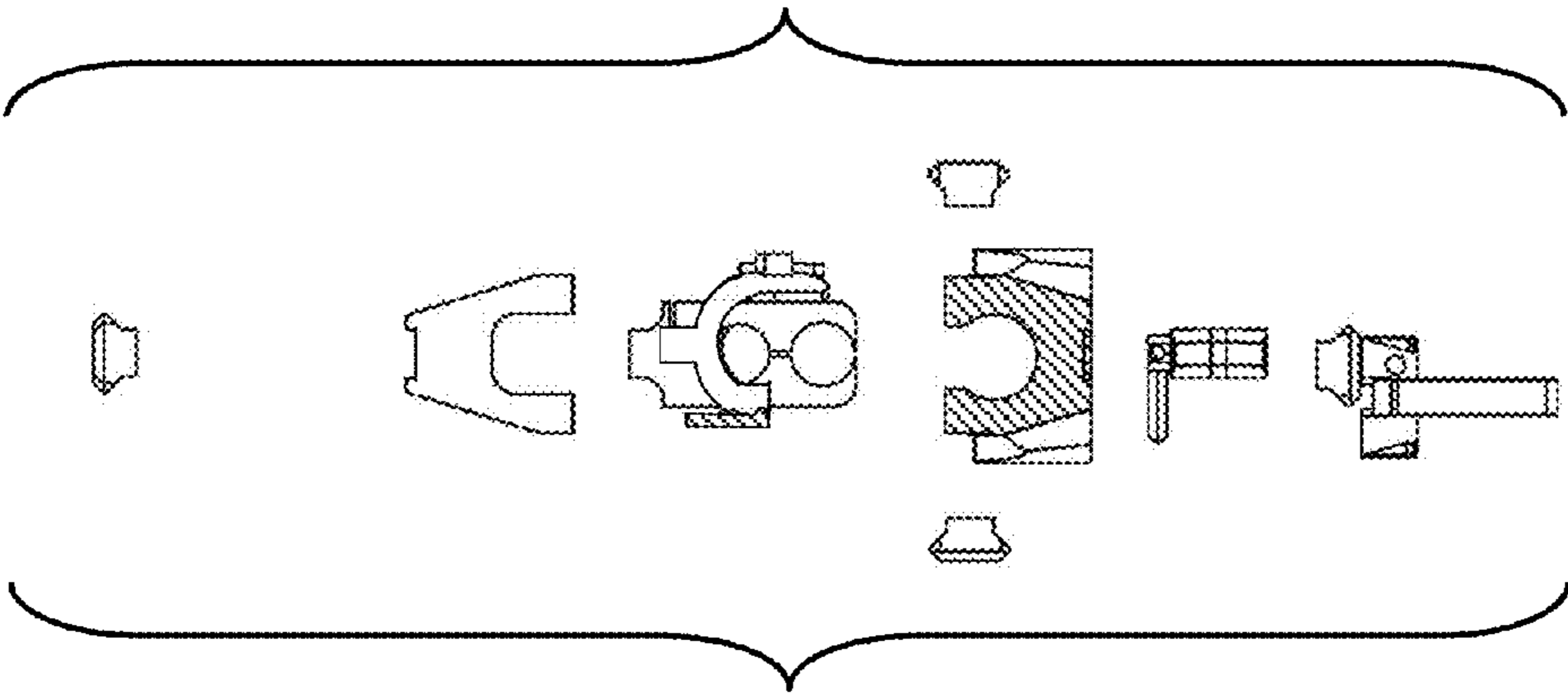


FIG. 11

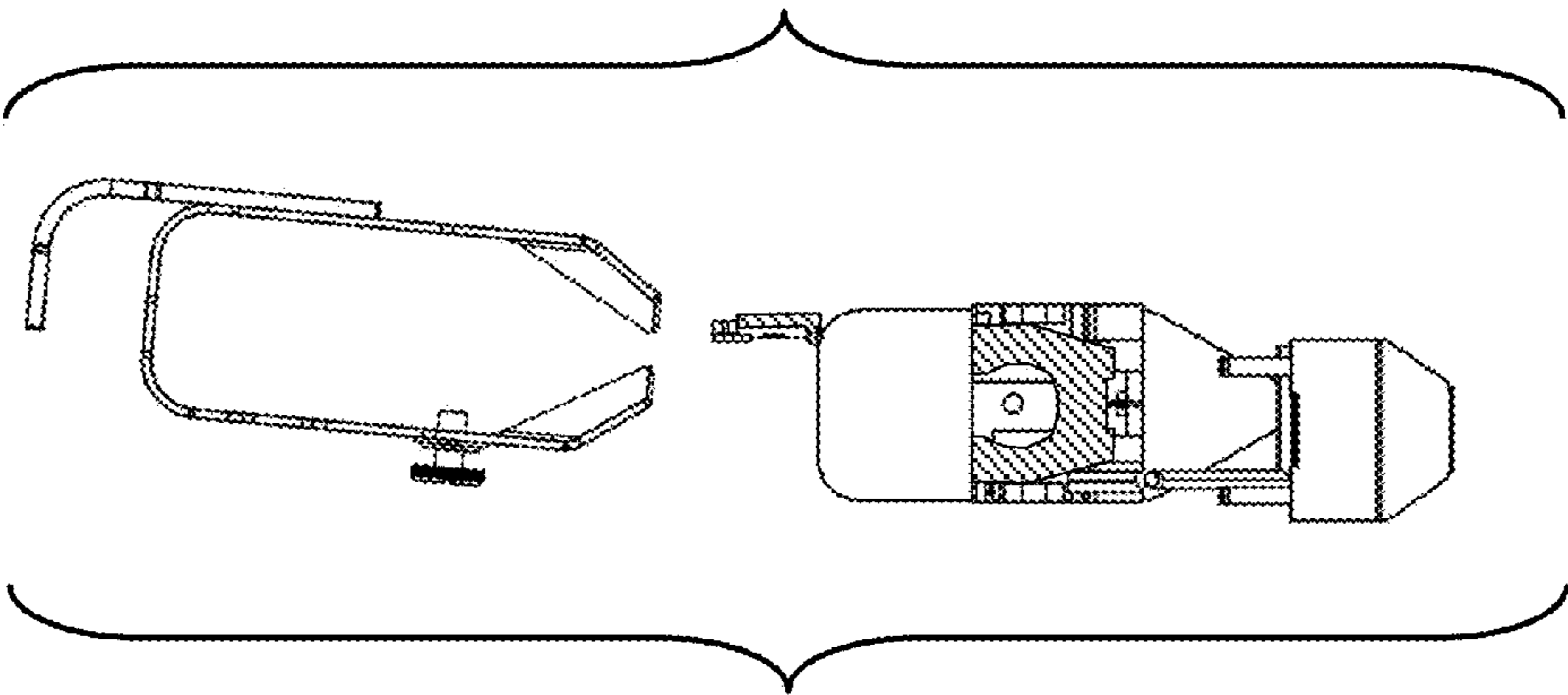


FIG. 10