



US00D682965S

(12) **United States Design Patent**
Seluga et al.

(10) **Patent No.:** **US D682,965 S**

(45) **Date of Patent:** **** May 21, 2013**

(54) **GOLF CLUB HOSEL PIECE**

(75) Inventors: **James A. Seluga**, Carlsbad, CA (US);
Denver Holt, Carlsbad, CA (US); **J. Neil Hall**, Carlsbad, CA (US); **Scott Manwaring**, Carlsbad, CA (US)

(73) Assignee: **Callaway Golf Company**, Carlsbad, CA (US)

(**) Term: **14 Years**

(21) Appl. No.: **29/423,969**

(22) Filed: **Jun. 6, 2012**

(51) **LOC (9) Cl.** **21-02**

(52) **U.S. Cl.**
USPC **D21/759**

(58) **Field of Classification Search** D21/736-752,
D21/759; 473/324-331, 340-346, 350, 316-323,
473/309, 310, 242-246, 305, 288; D8/29
See application file for complete search history.

(56) **References Cited**

U.S. PATENT DOCUMENTS

4,943,059	A *	7/1990	Morell	473/306
6,110,055	A *	8/2000	Wilson	473/239
6,475,100	B1 *	11/2002	Helmstetter et al.	473/309
6,966,847	B2 *	11/2005	Lenhof et al.	473/305
7,029,402	B2 *	4/2006	Nakajima	473/309
7,699,717	B2	4/2010	Morris et al.	
7,878,921	B2 *	2/2011	Bennett et al.	473/307
8,057,320	B2	11/2011	Bennett et al.	
8,133,131	B1 *	3/2012	Bennett et al.	473/307
8,142,306	B2 *	3/2012	De La Cruz et al.	473/288
8,147,351	B2 *	4/2012	Bennett et al.	473/307
8,216,084	B2 *	7/2012	Bennett et al.	473/288

OTHER PUBLICATIONS

Titleist 910 D2 Driver Review. [online]. [retrieved on Jan. 4, 2013]. Retrieved from the Internet: <URL: <http://www.mygolfspy.com/titleist-910-d2-driver-review/>>.

* cited by examiner

Primary Examiner — Mitchell Siegel

(74) *Attorney, Agent, or Firm* — Rebecca Hanovice; Michael A. Catania; Sonia Lari

(57) **CLAIM**

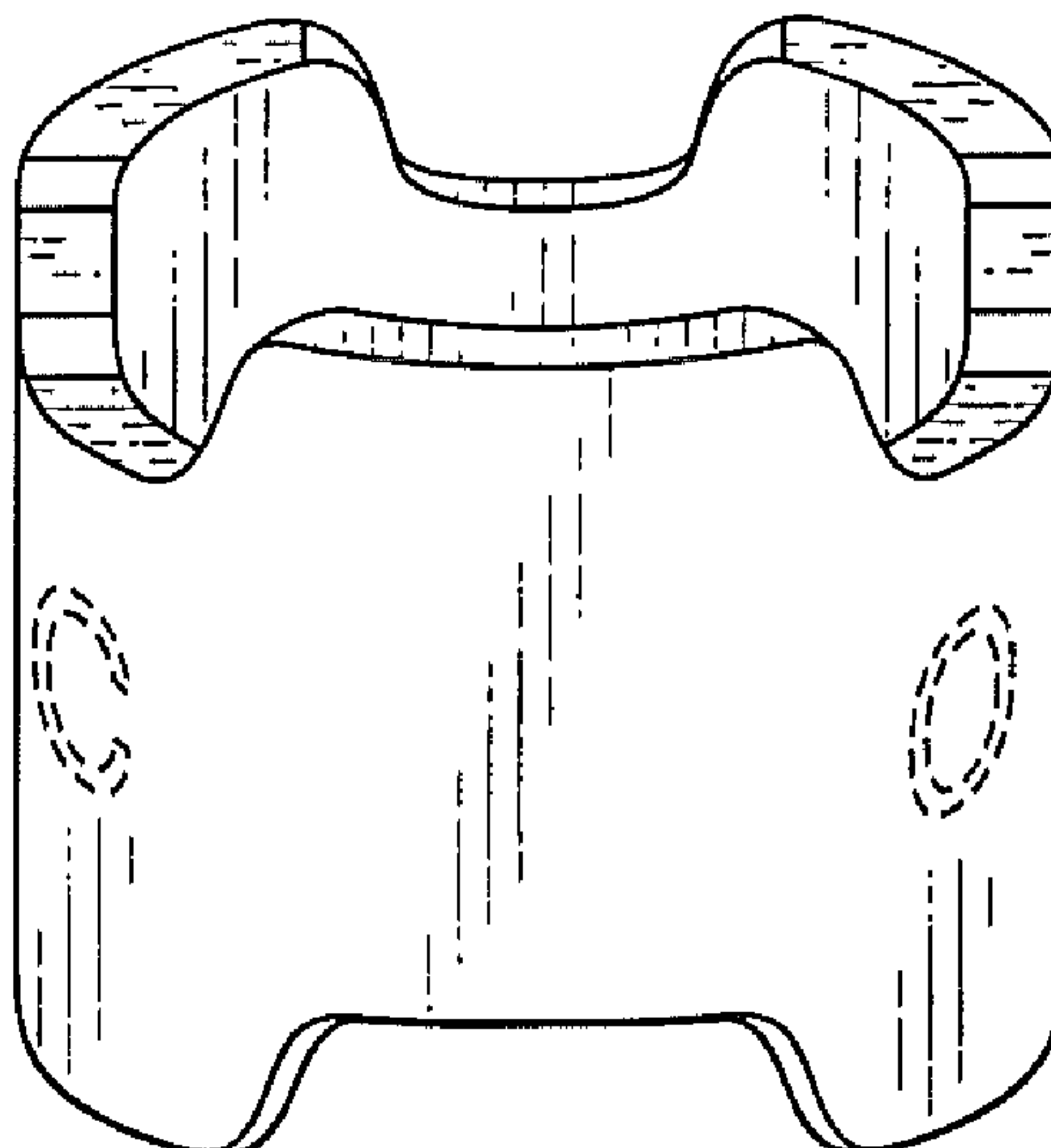
The ornamental design for a golf club hosel piece, as shown and described.

DESCRIPTION

FIG. 1 is a top elevational view of a first embodiment of a golf club hosel piece;
FIG. 2 is a right side plan view thereof;
FIG. 3 is a front side plan view thereof;
FIG. 4 is a left side plan view thereof;
FIG. 5 is a bottom plan view thereof;
FIG. 6 is a bottom elevational view of a second embodiment thereof;
FIG. 7 is a front plan view thereof;
FIG. 8 is a side plan view thereof;
FIG. 9 is a side plan view thereof;
FIG. 10 is a top plan view thereof;
FIG. 11 is a bottom elevational view of a third embodiment thereof;
FIG. 12 is a front side view thereof;
FIG. 13 is a right side view thereof;
FIG. 14 is a left side view thereof; and,
FIG. 15 is a top plan view thereof.

The broken line showing is included for the purpose of illustrating and forms no part of the claimed design.

1 Claim, 3 Drawing Sheets



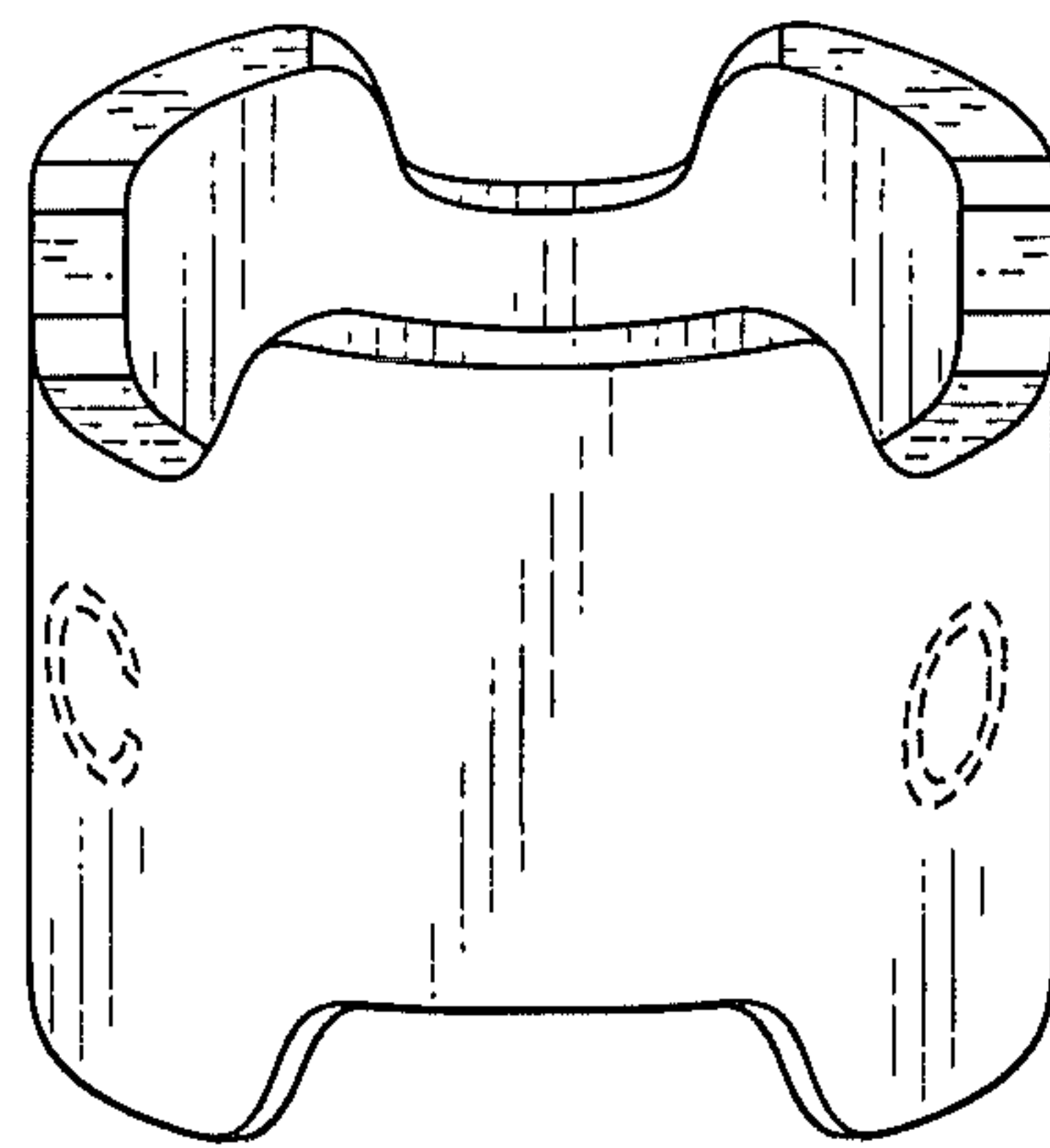


FIG. 1

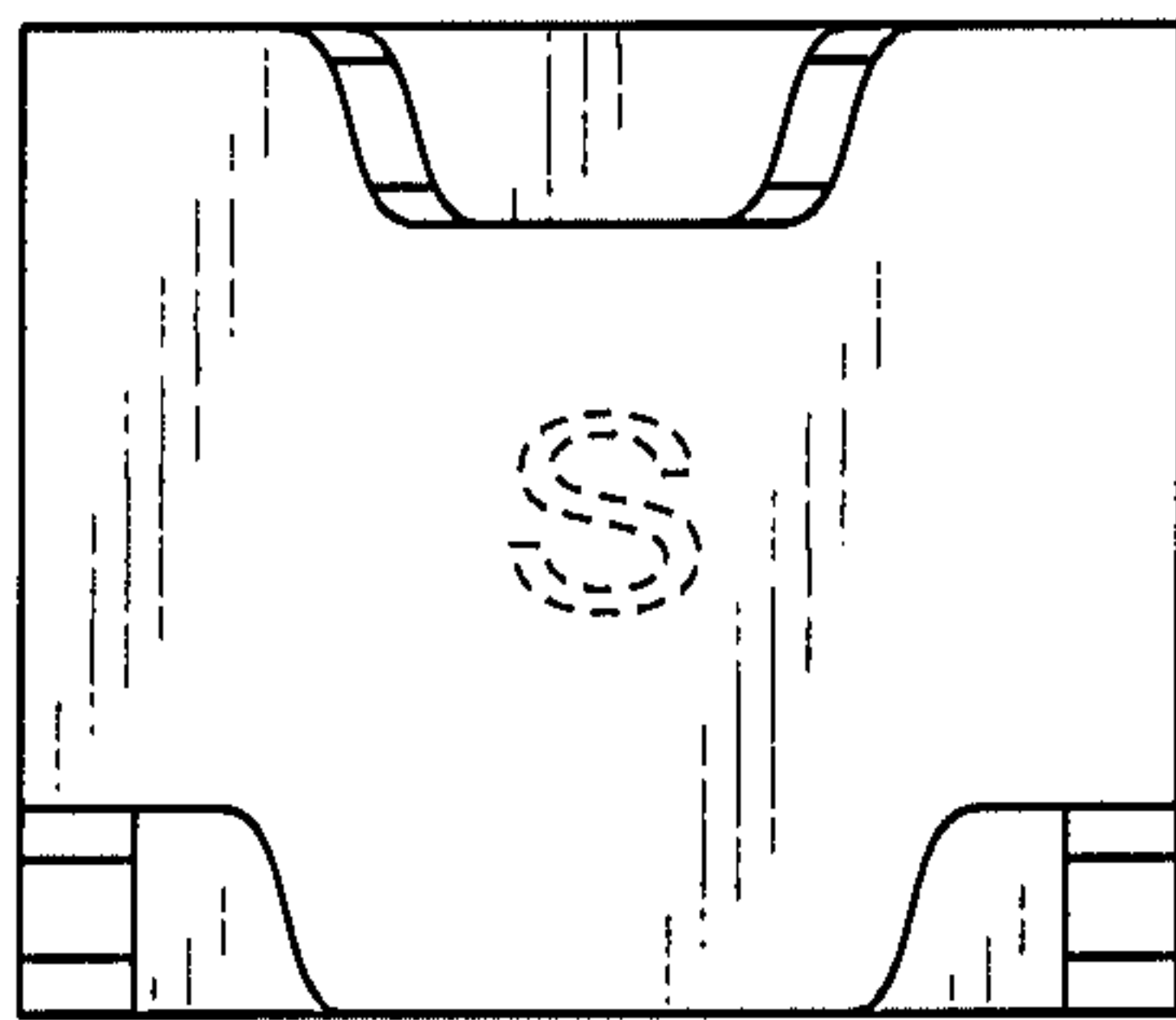


FIG. 2

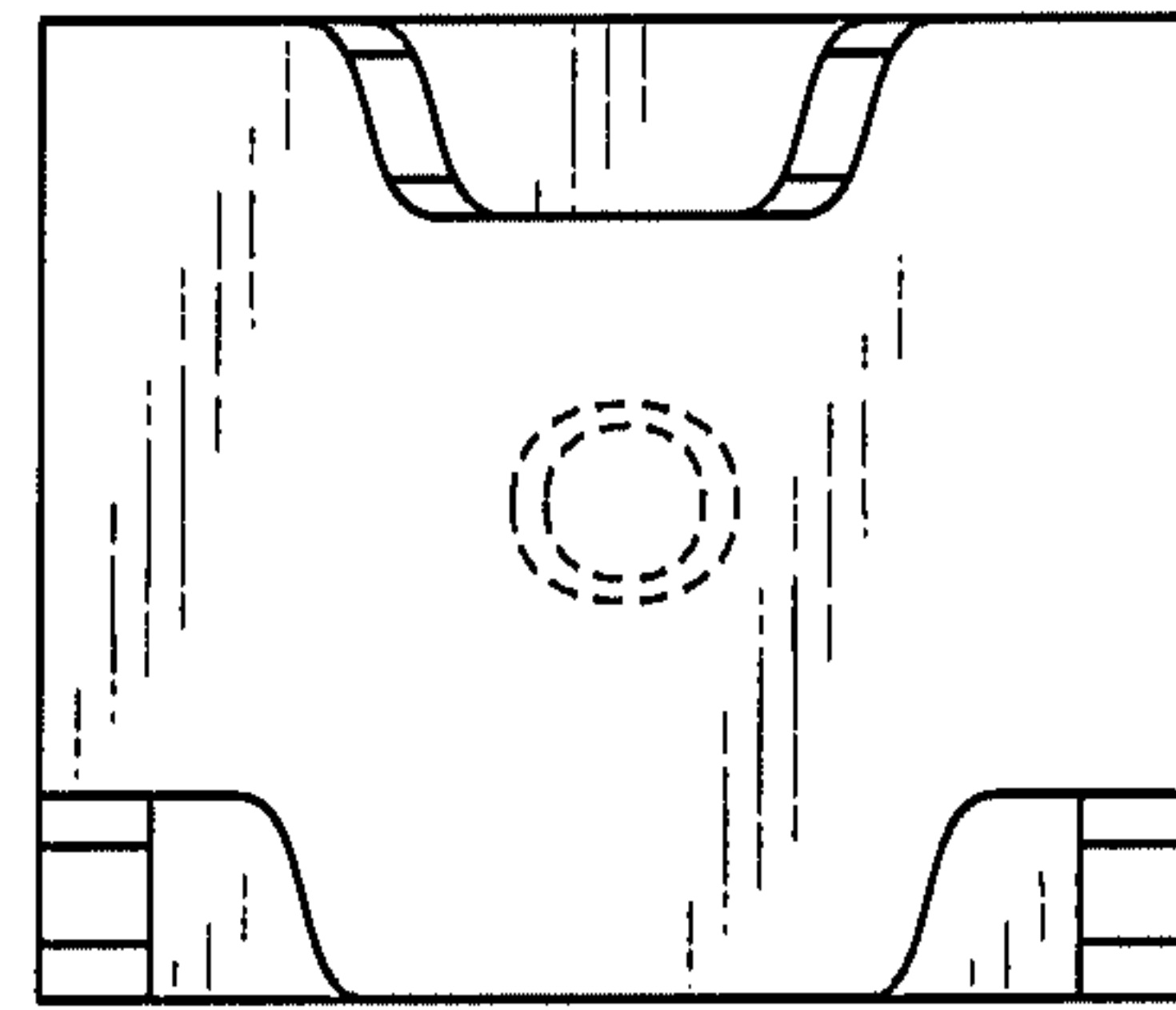


FIG. 3

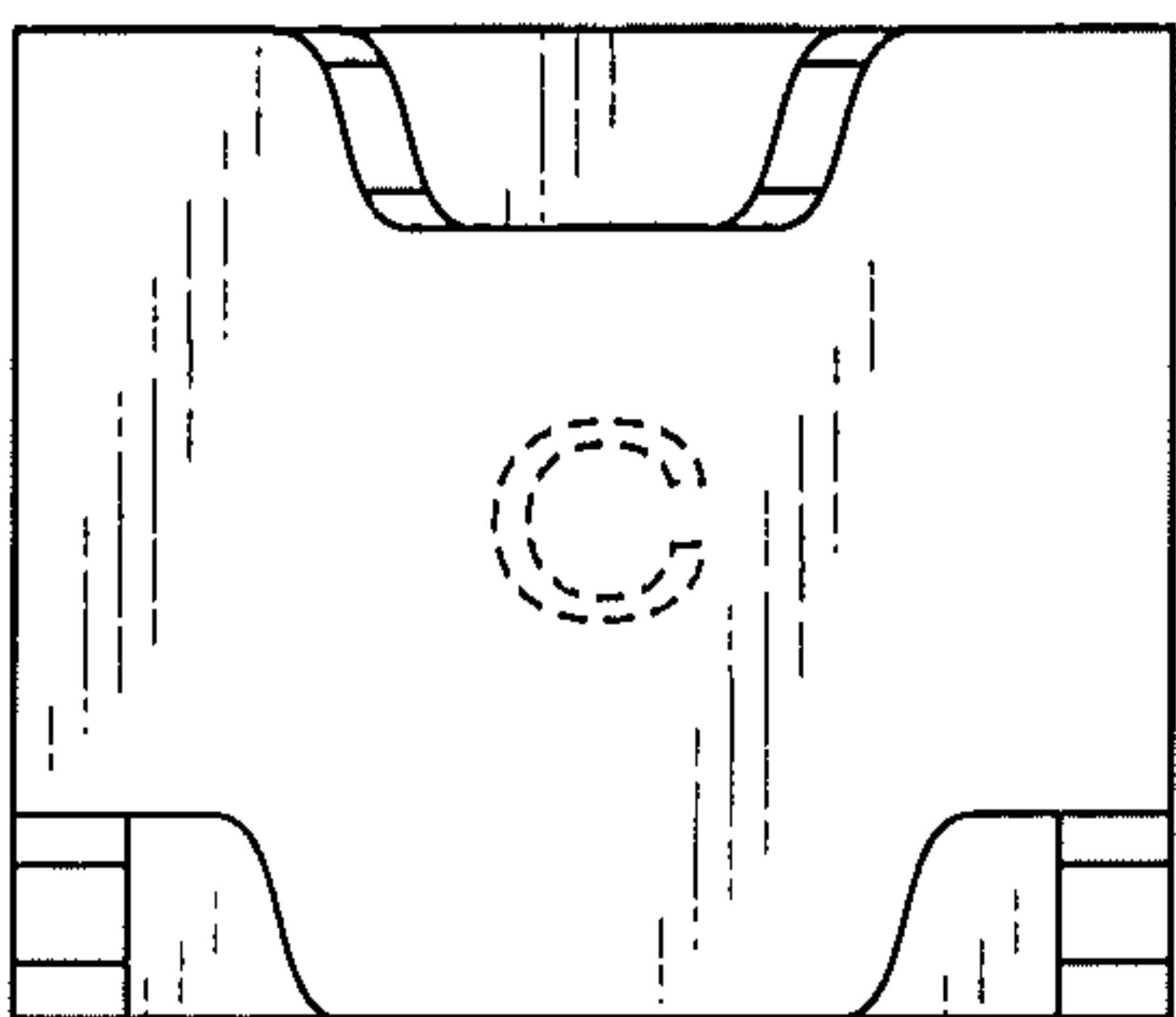


FIG. 4

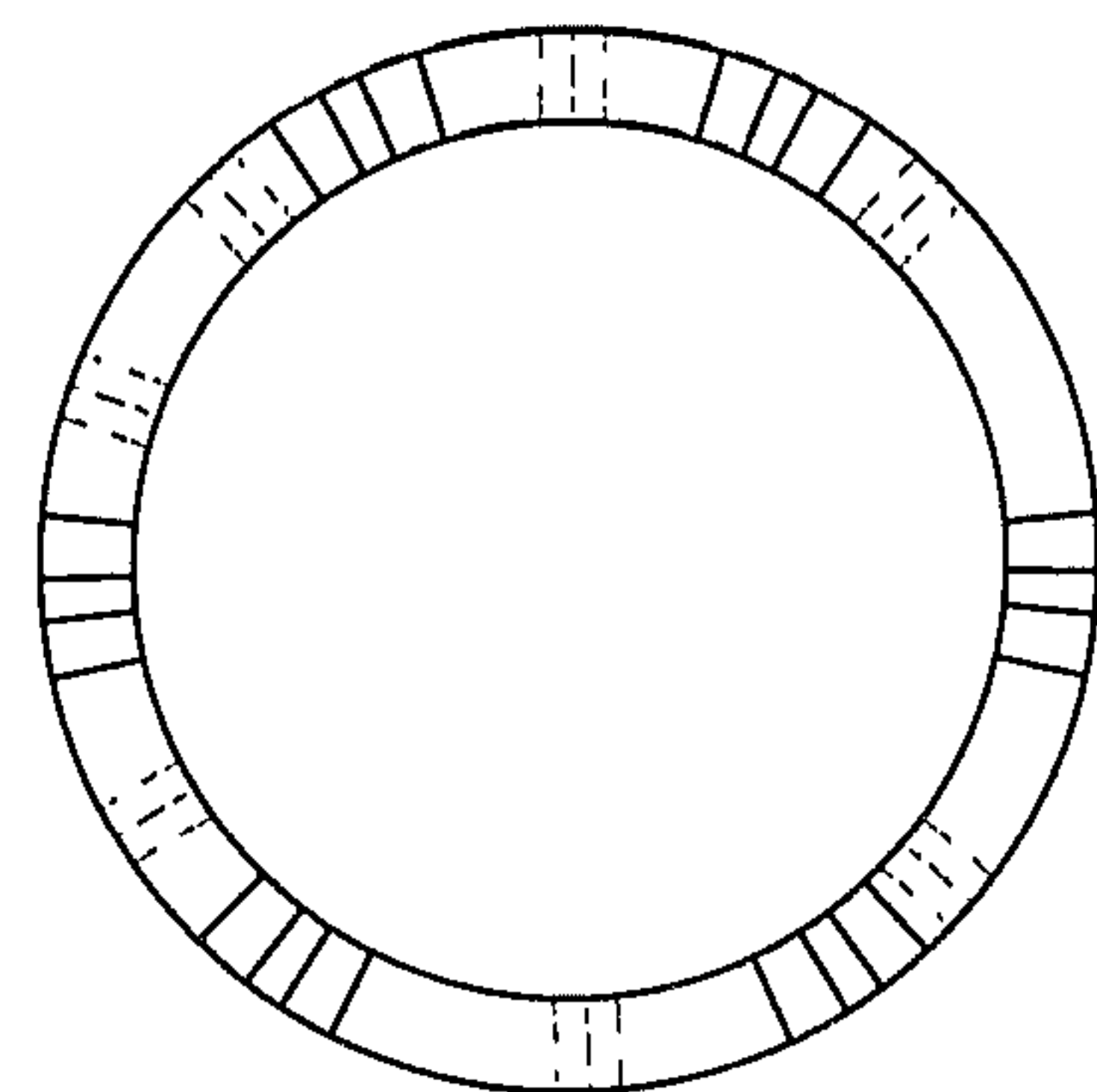


FIG. 5

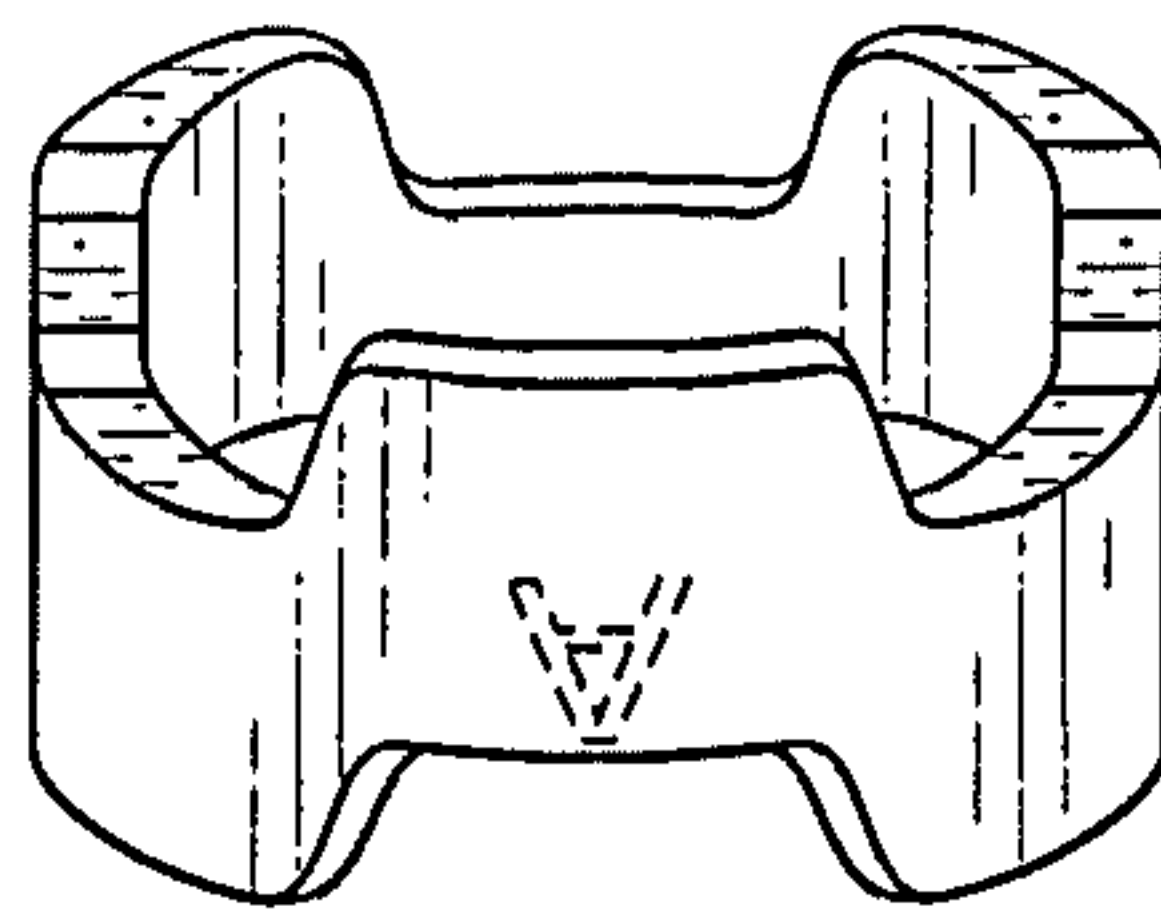


FIG. 6

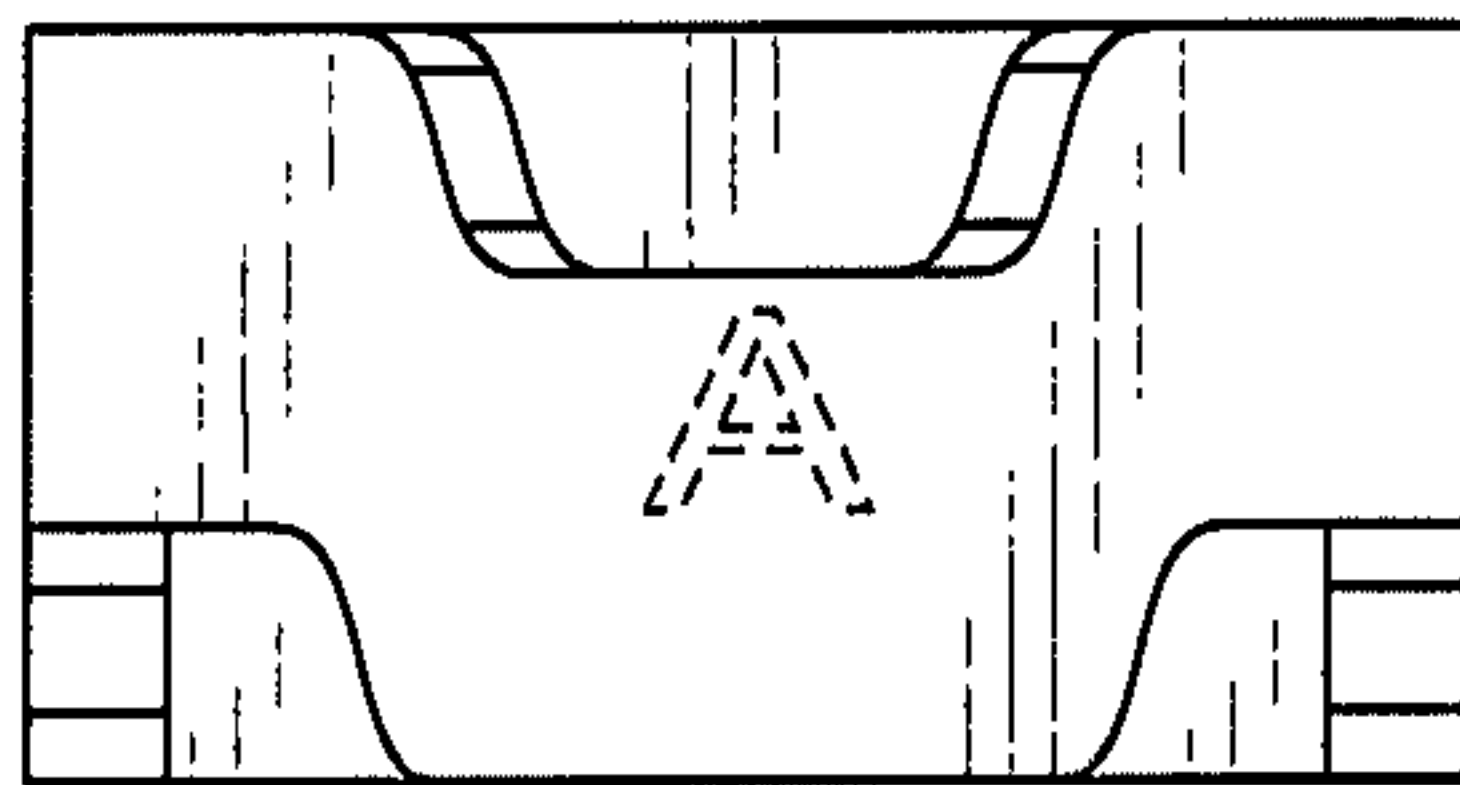


FIG. 7

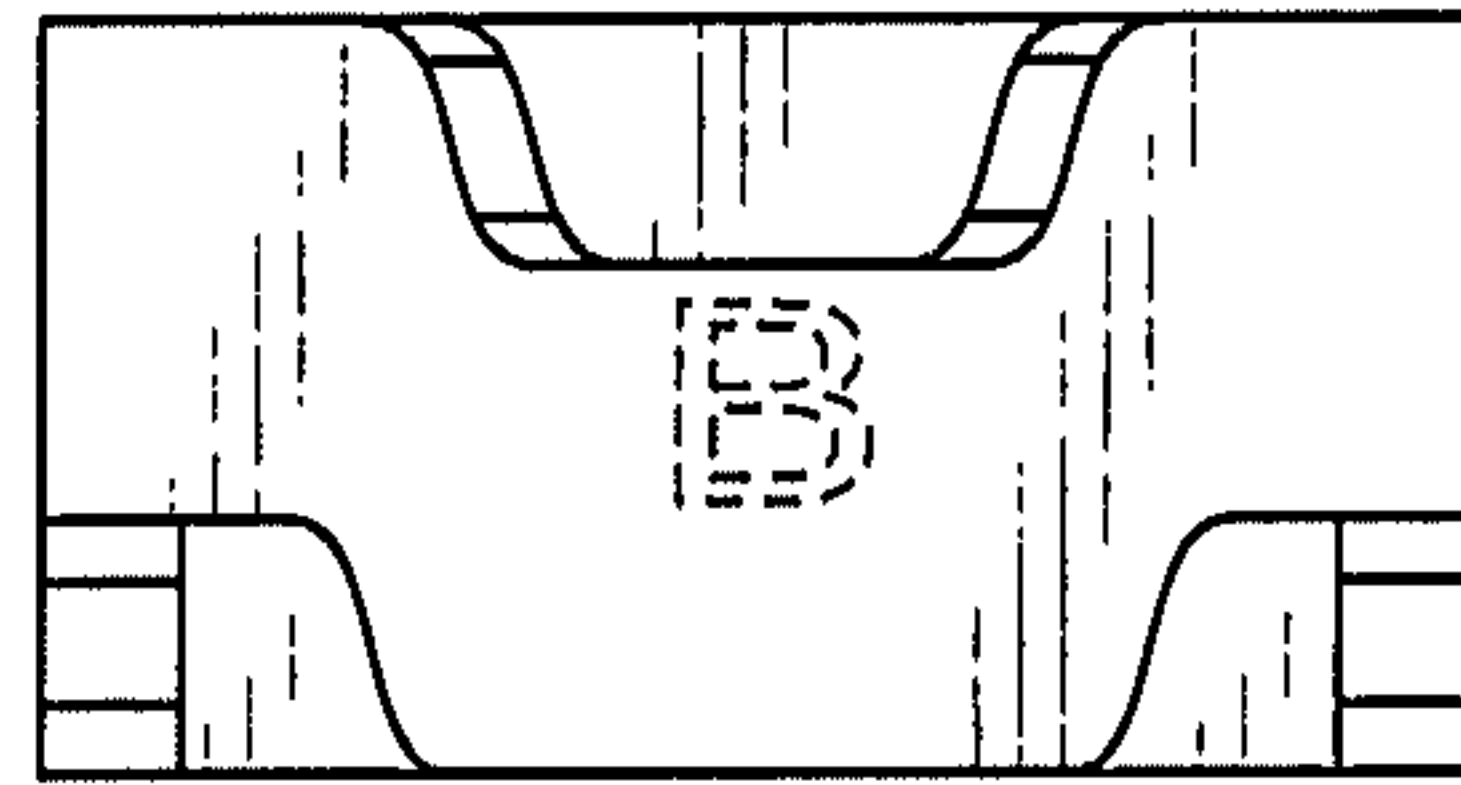


FIG. 8

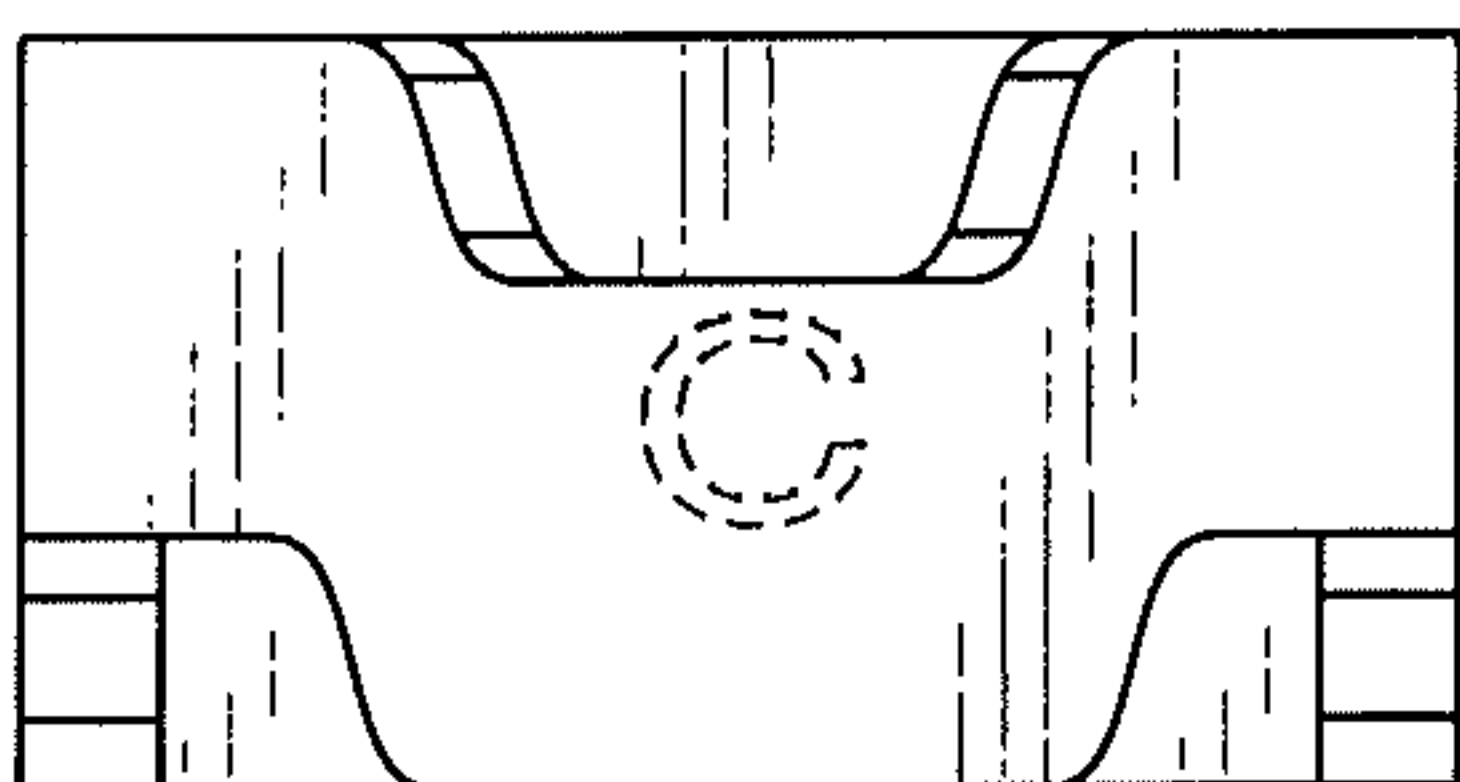


FIG. 9

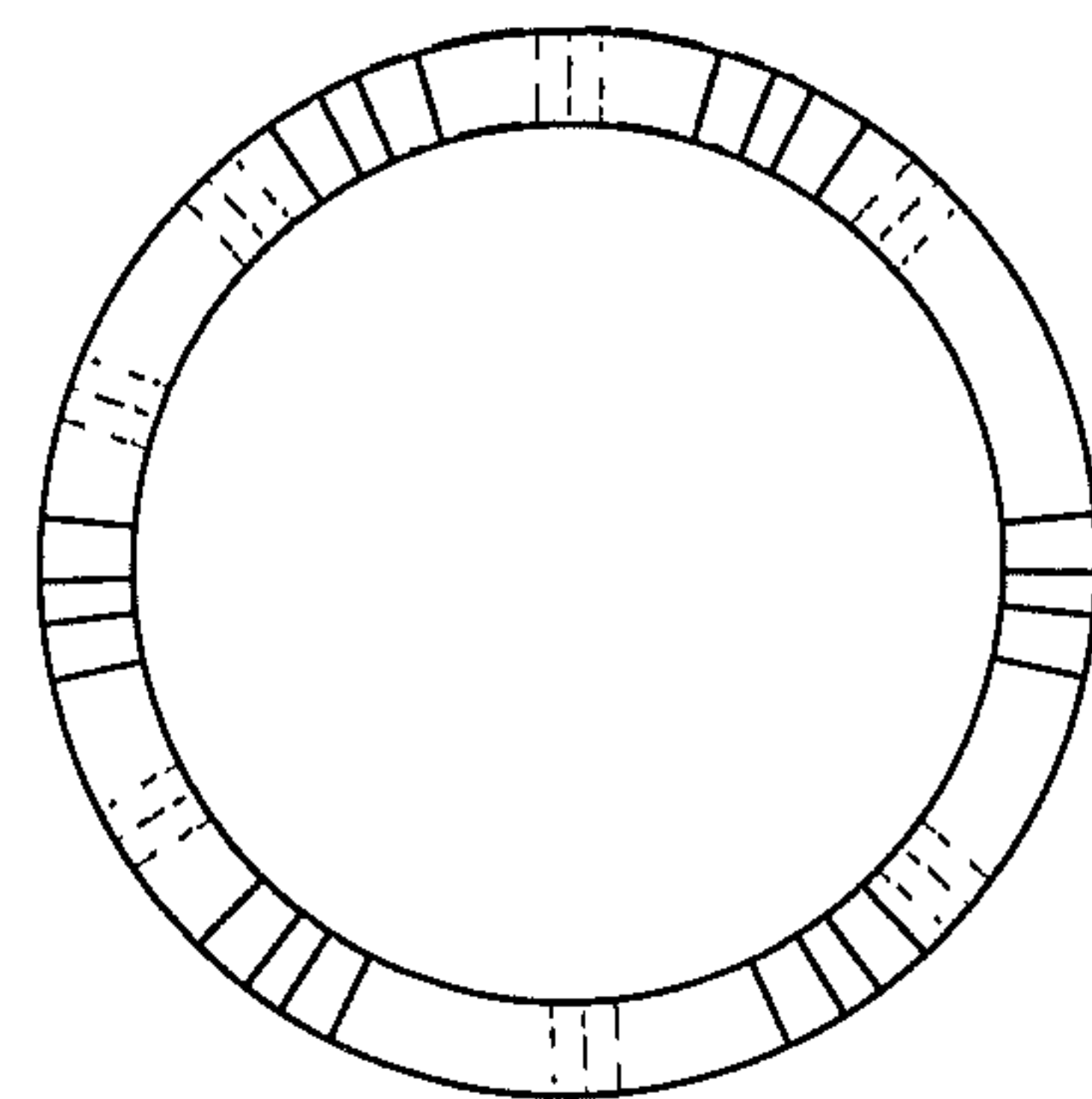


FIG. 10

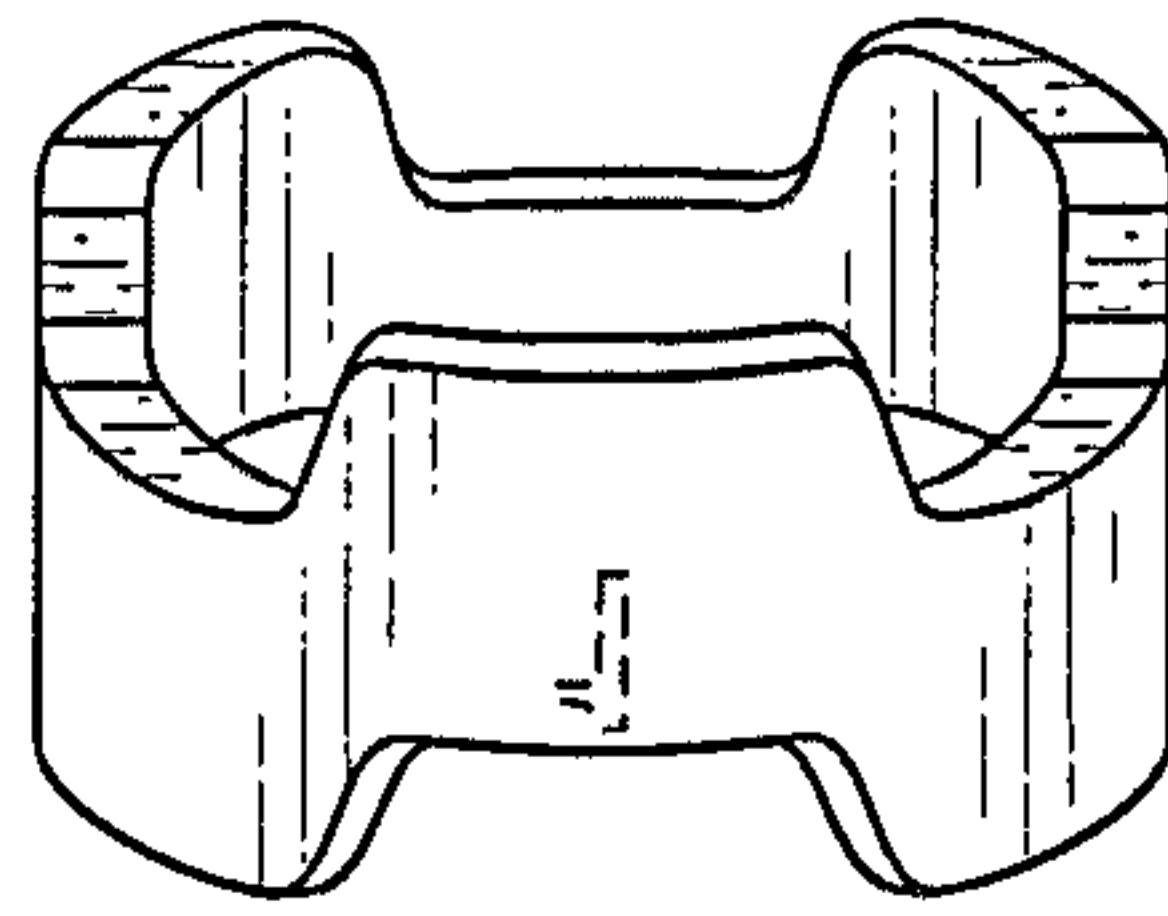


FIG. 11

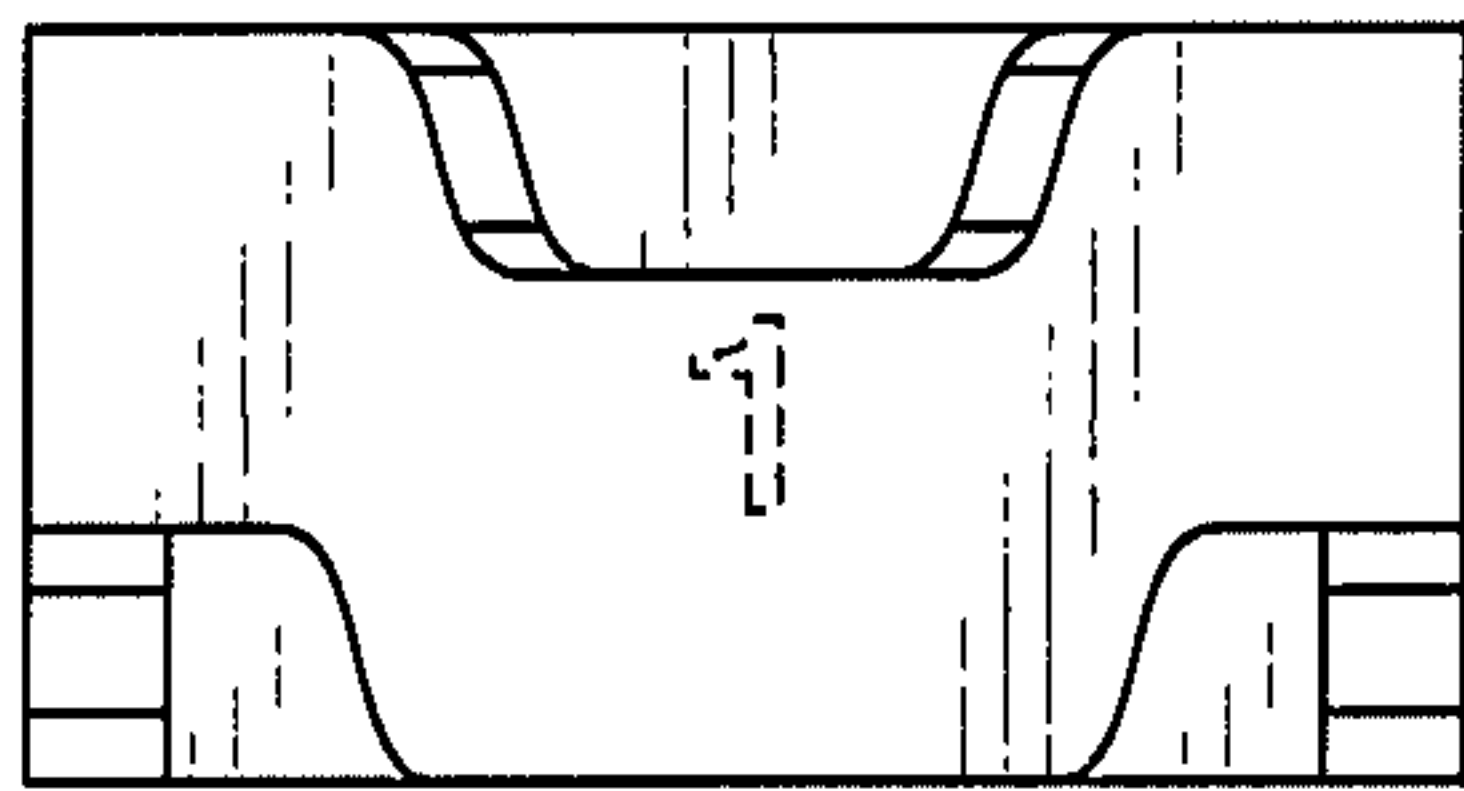


FIG. 12

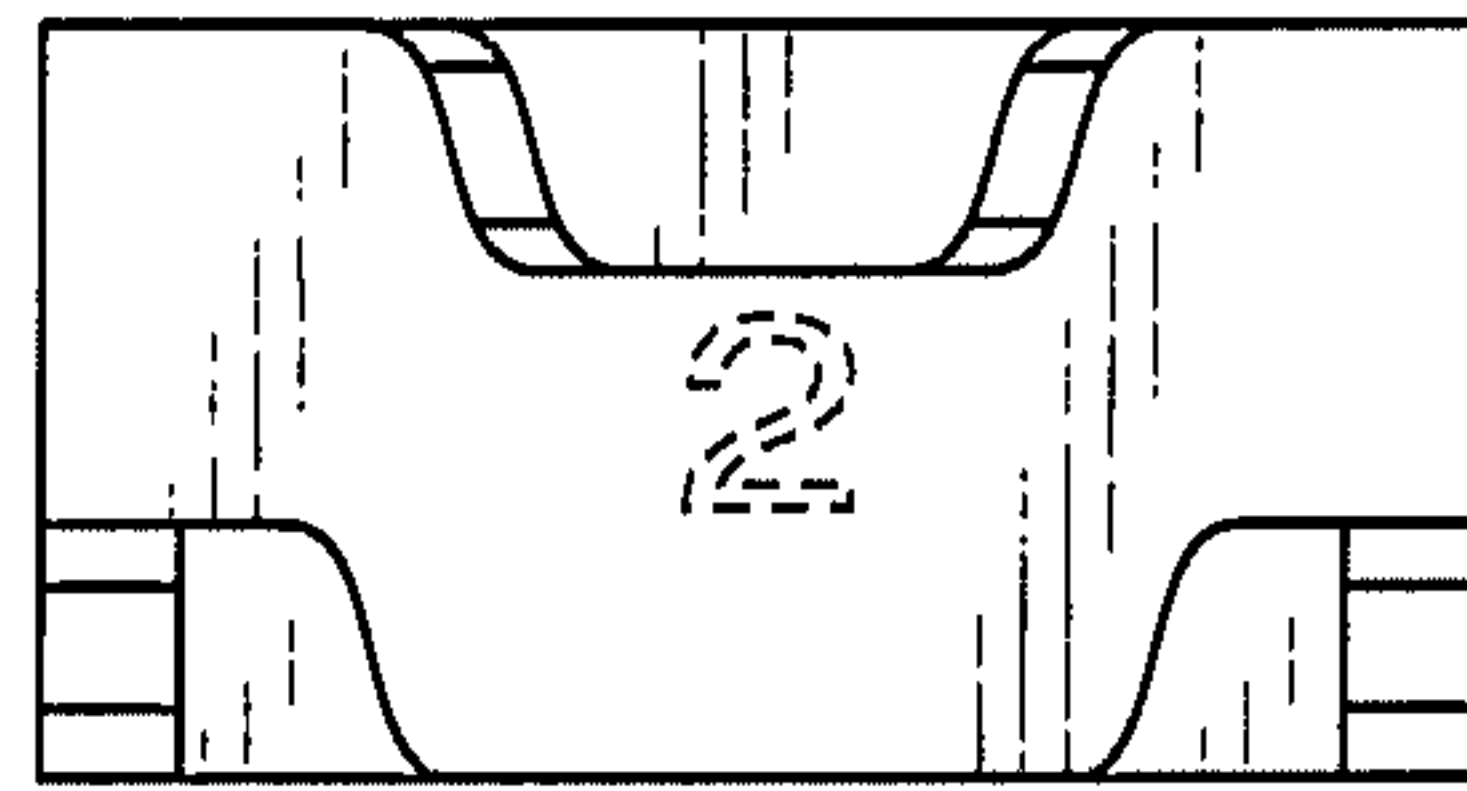


FIG. 13

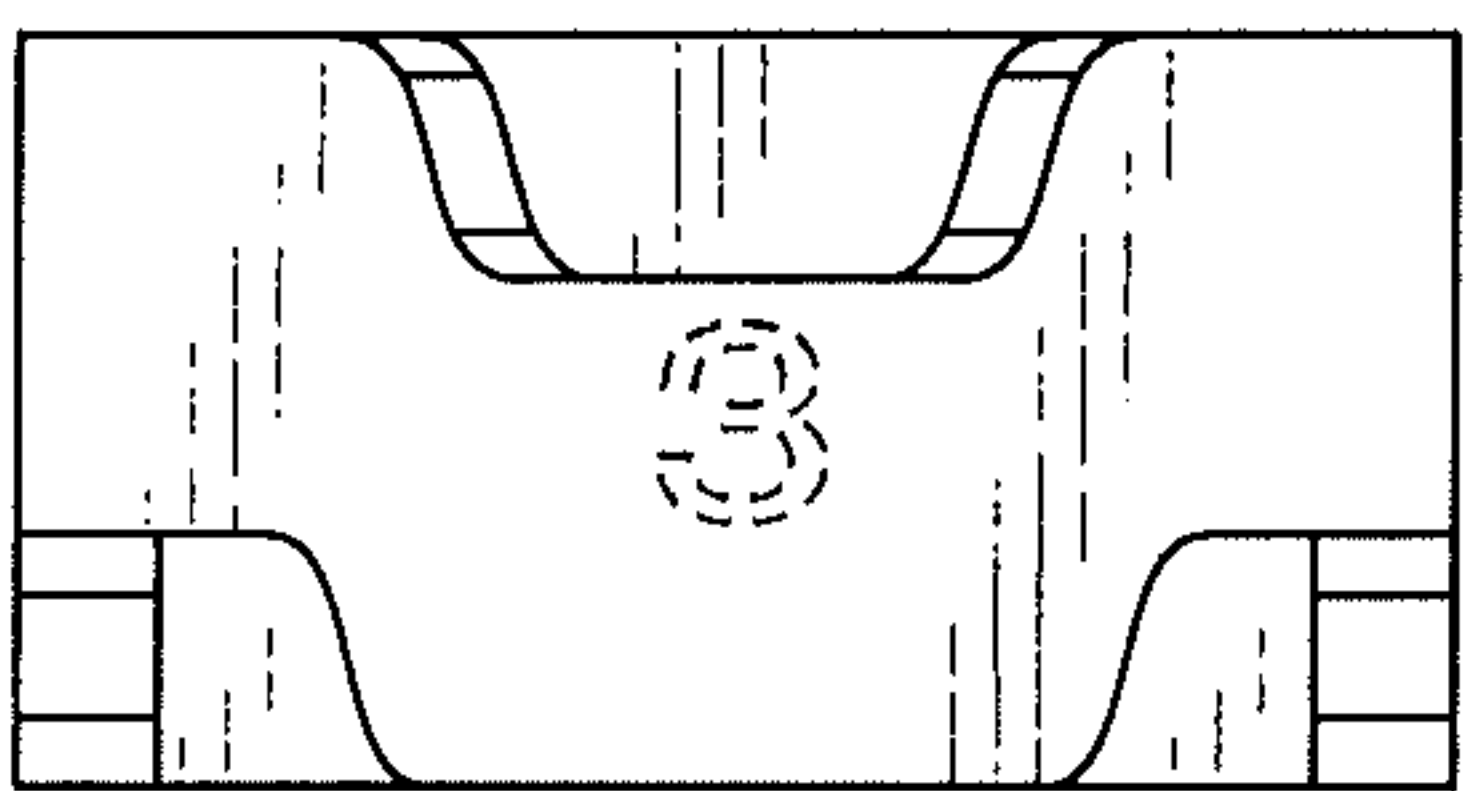


FIG. 14

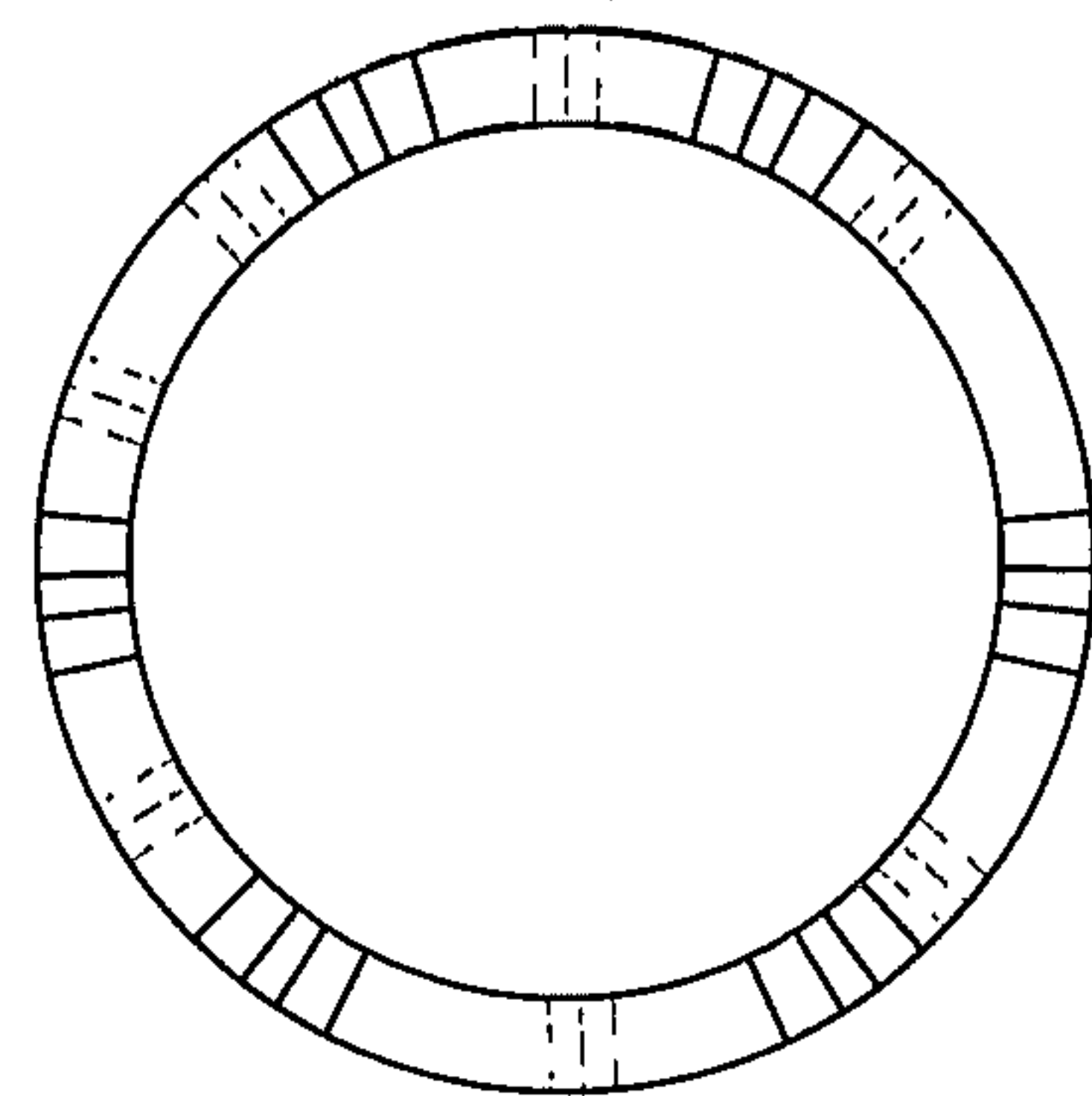


FIG. 15