



US00D682958S

(12) **United States Design Patent**
Gishi

(10) **Patent No.:** **US D682,958 S**

(45) **Date of Patent:** **** May 21, 2013**

(54) **GOLF PUTTER HEAD**

(76) Inventor: **Robert Masayoshi Gishi**, Pearl City, HI
(US)

(**) Term: **14 Years**

(21) Appl. No.: **29/421,276**

(22) Filed: **Jun. 22, 2012**

(51) **LOC (9) Cl.** **21-02**

(52) **U.S. Cl.**
USPC **D21/738**

(58) **Field of Classification Search** D21/736-746;
473/324-331, 340-341, 251-256
See application file for complete search history.

(56) **References Cited**

U.S. PATENT DOCUMENTS

D303,559 S *	9/1989	Florian	D21/738
D368,292 S *	3/1996	Willoughby	D21/738
D399,546 S *	10/1998	Polzin	D21/738
D401,990 S *	12/1998	Berkebile	D21/738
D410,513 S *	6/1999	Gardner	D21/736

D444,524 S *	7/2001	Reeves, Jr.	D21/738
D489,780 S *	5/2004	Sloboda	D21/738
D521,581 S *	5/2006	Johnson	D21/736

* cited by examiner

Primary Examiner — Mitchell Siegel

(74) *Attorney, Agent, or Firm* — Martin E. Hsia; Keri Ann K. S. Krzykowski

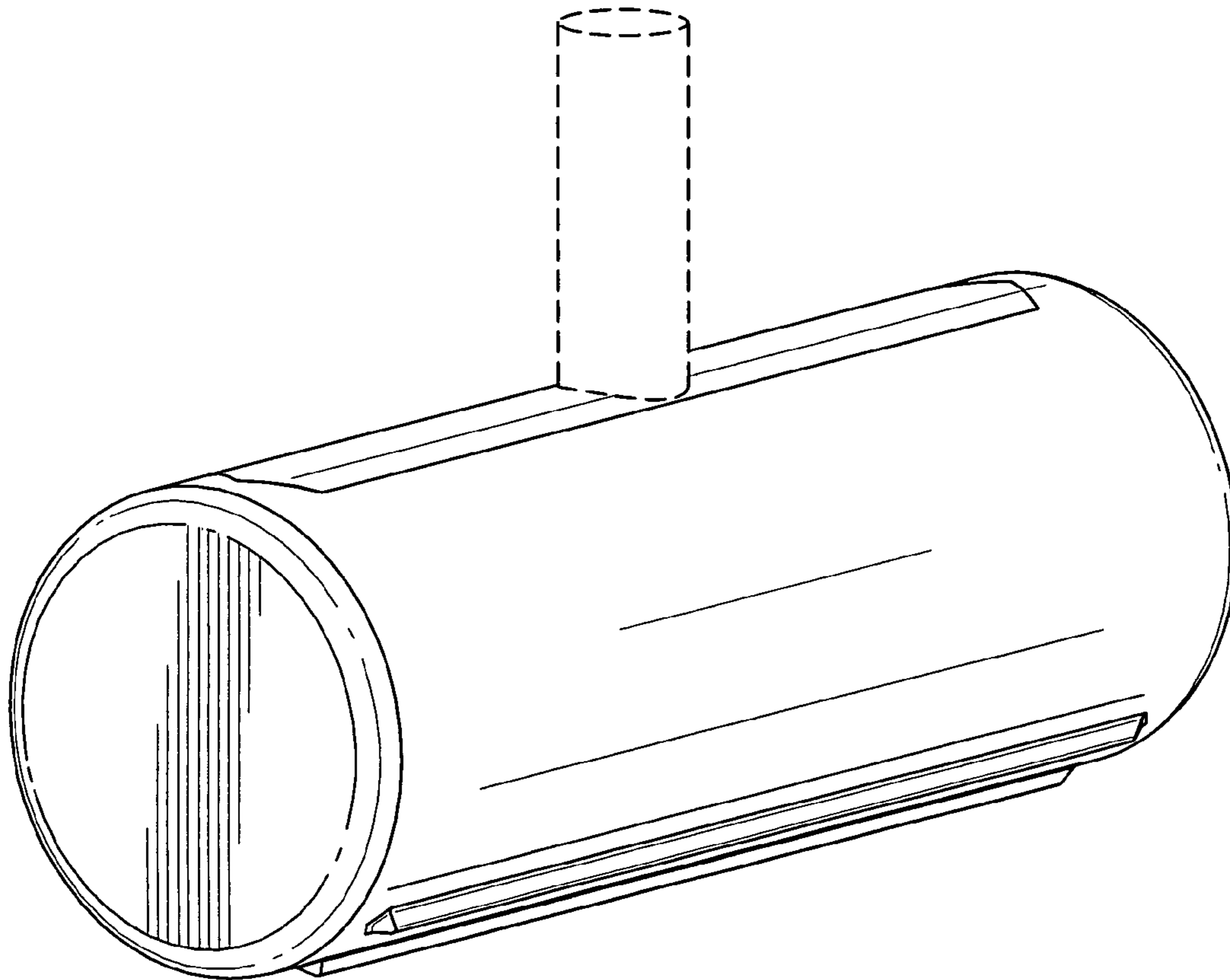
(57) **CLAIM**

The ornamental design for a golf putter head, as shown and described.

DESCRIPTION

FIG. 1 is a perspective view from the front right of the golf putter head of my new design;
FIG. 2 is a top plan view thereof;
FIG. 3 is a bottom plan view thereof;
FIG. 4 is an elevational view thereof from the right, the elevational view from the left thereof being identical; and,
FIG. 5 is an elevational view thereof from the front, the elevational view from the rear thereof being identical.
The broken lines in FIGS. 1-2 and 4-5 show unclaimed subject matter, and form no part of the claimed design.

1 Claim, 5 Drawing Sheets



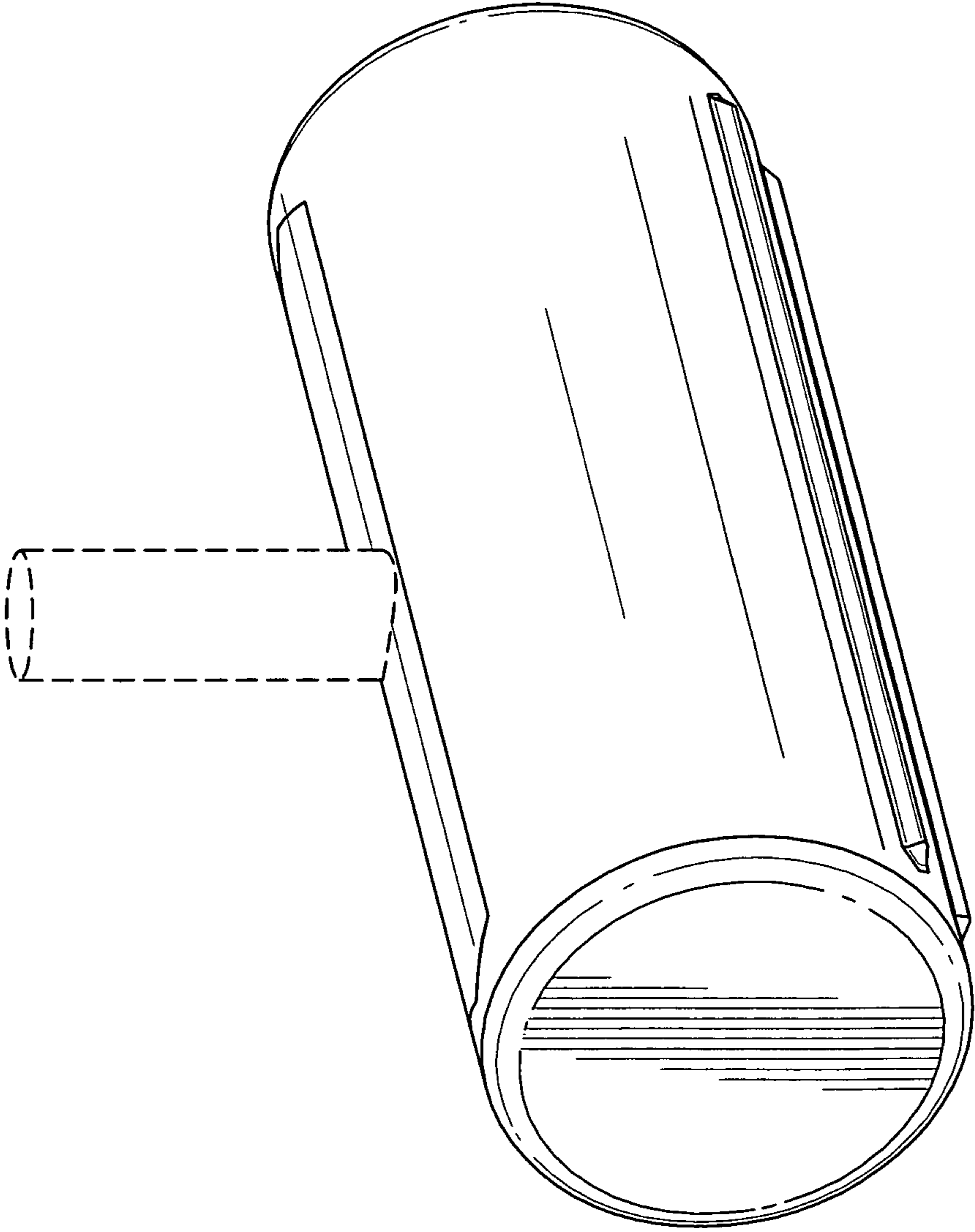


FIG. 1

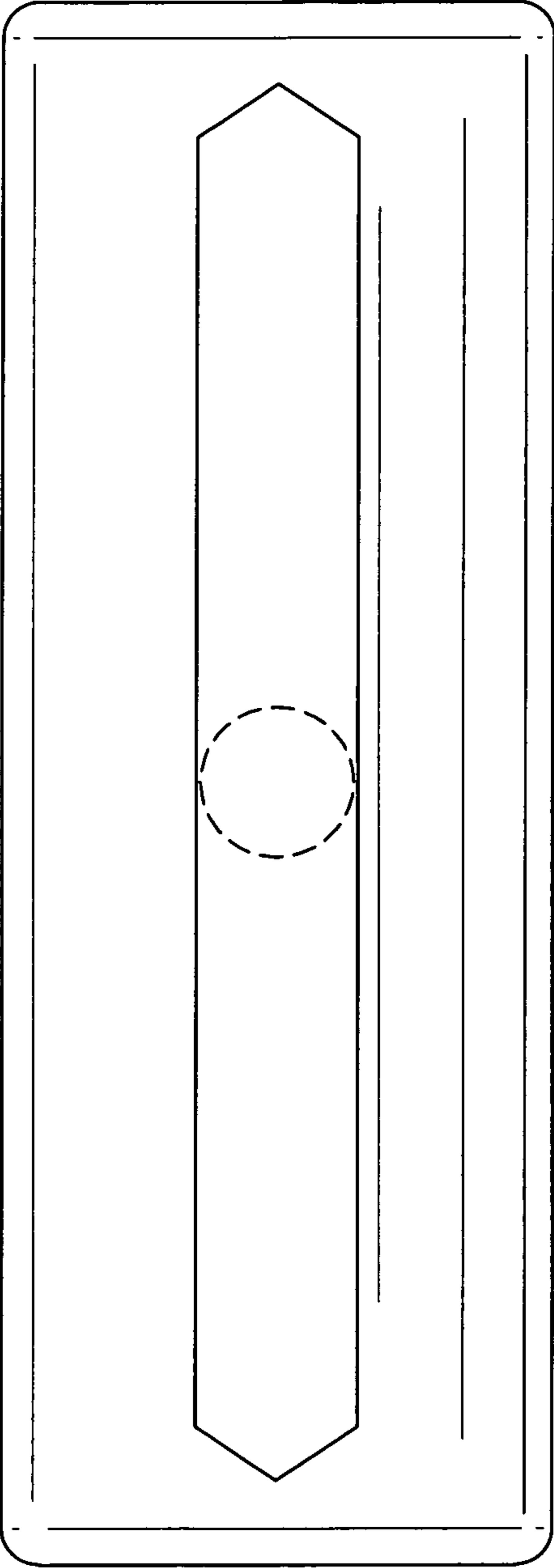


FIG. 2

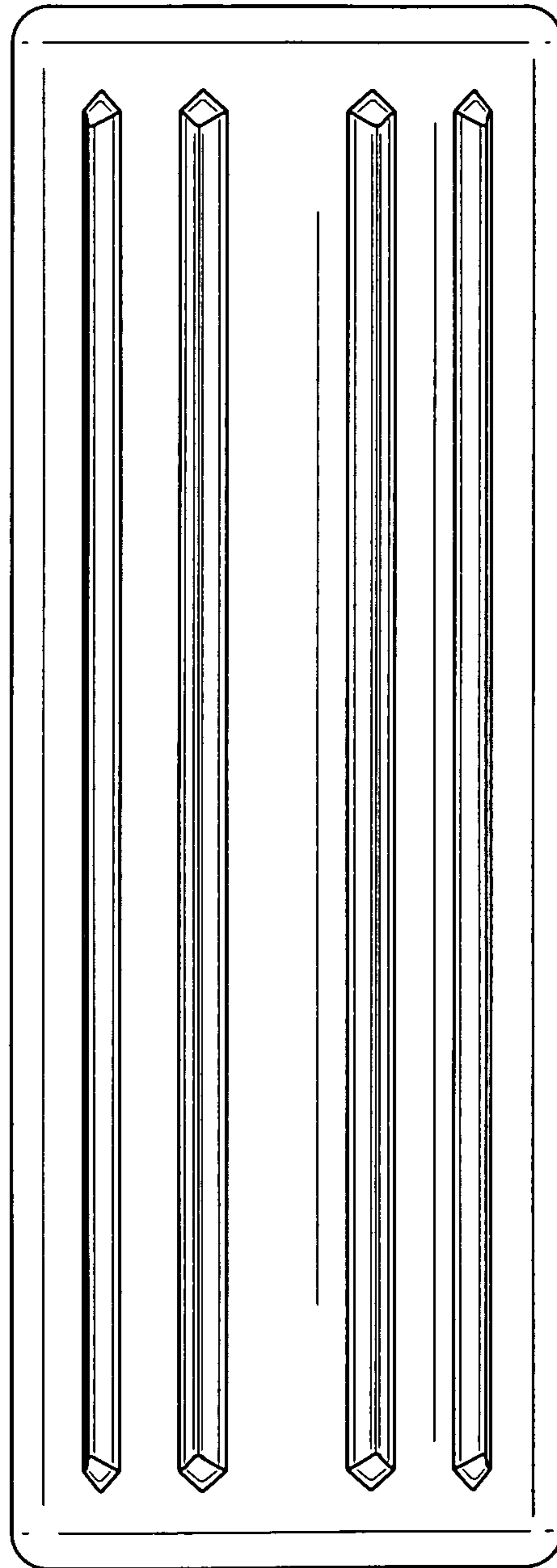


FIG. 3

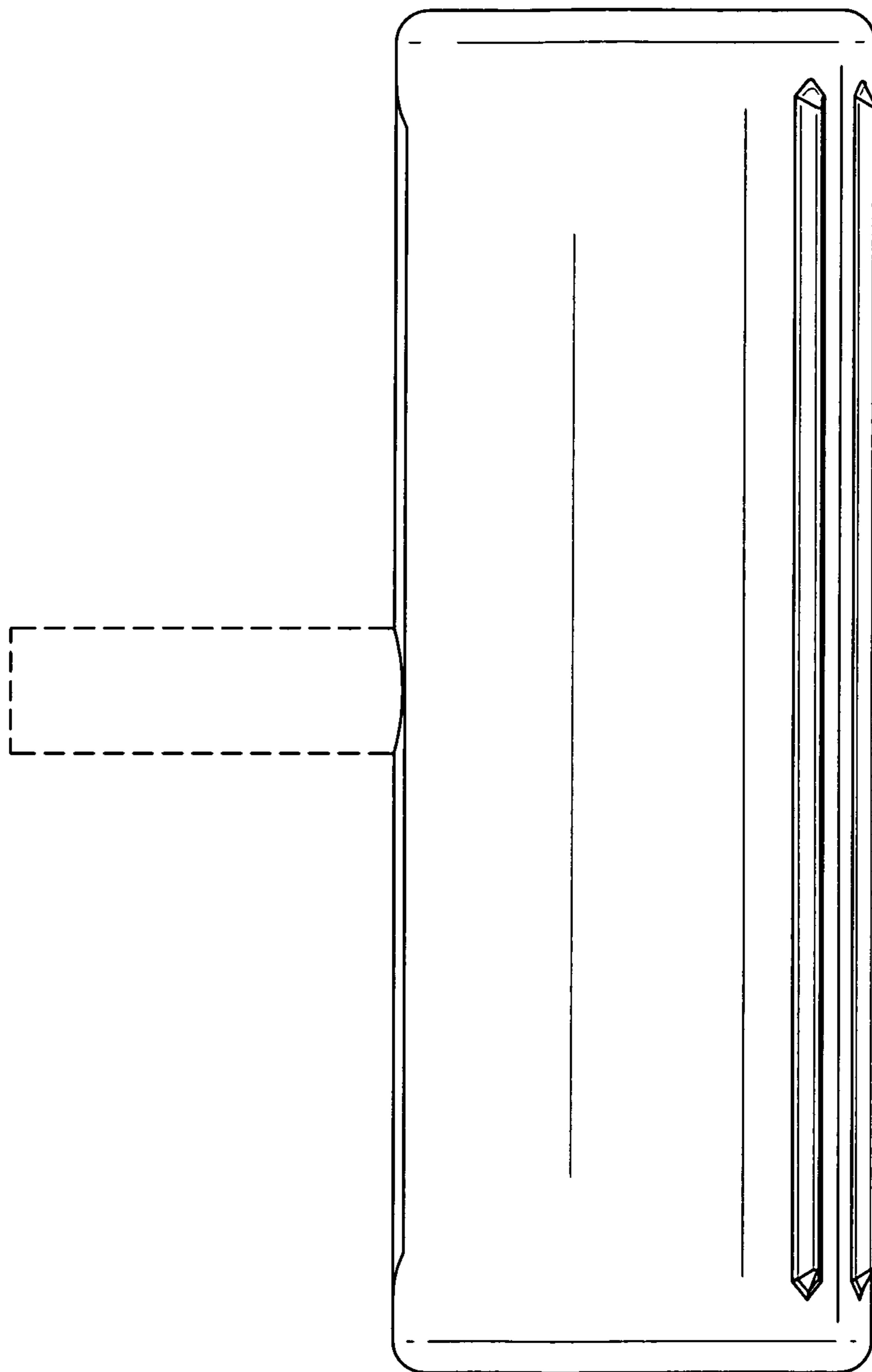


FIG. 4

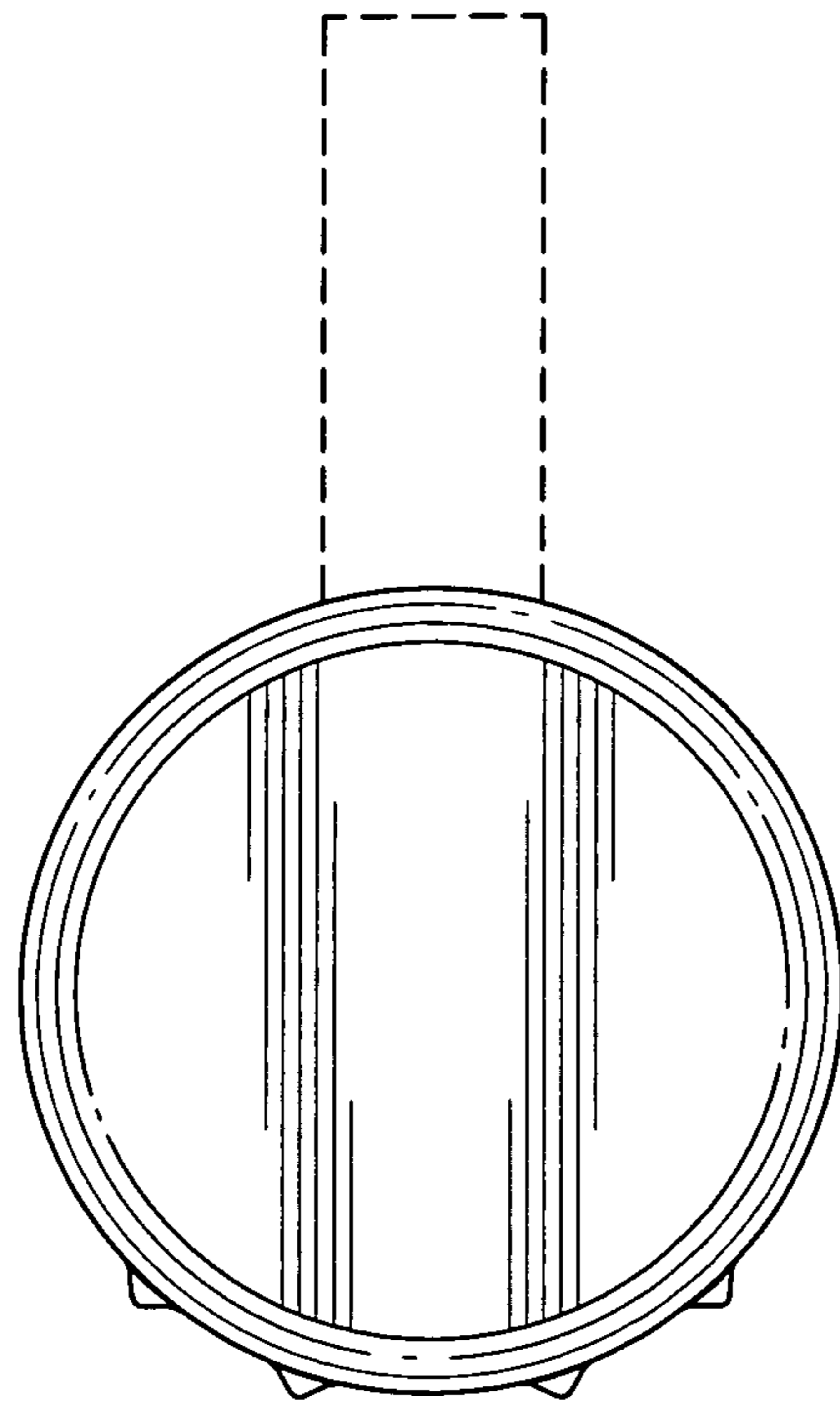


FIG. 5