



US00D682956S

(12) **United States Design Patent**  
**Pou et al.**

(10) **Patent No.:** **US D682,956 S**

(45) **Date of Patent:** **\*\* \*May 21, 2013**

(54) **WEIGHTED EXERCISE PANTS**

FOREIGN PATENT DOCUMENTS

(76) Inventors: **George Pou**, Houston, TX (US); **Julie Pou**, Houston, TX (US)

JP 10305112 11/1998  
KR 20199400220 10/1994

OTHER PUBLICATIONS

(\*) Notice: This patent is subject to a terminal disclaimer.

PCT/IB2011/000995—Notification of International Search Report and Written Opinion (Dec. 7, 2011), 2 pages. This PCT application is a counterpart to the present application.

(\*\*) Term: **14 Years**

(Continued)

(21) Appl. No.: **29/393,852**

*Primary Examiner* — Susan E Krakower

(22) Filed: **Jun. 9, 2011**

(74) *Attorney, Agent, or Firm* — Gordon G. Waggett, P.C.

**Related U.S. Application Data**

(63) Continuation-in-part of application No. 12/758,759, filed on Apr. 12, 2010, and a continuation-in-part of application No. 29/380,849, filed on Dec. 11, 2010, now Pat. No. Des. 639,875.

(57) **CLAIM**

The ornamental design for the weighted exercise pants, as shown and described.

(51) **LOC (9) Cl.** ..... **21-02**

(52) **U.S. Cl.**  
USPC ..... **D21/683**

**DESCRIPTION**

(58) **Field of Classification Search** ..... D21/662, D21/677–685, 692; 482/55, 92–94, 97–105, 482/124; D29/101.5; D2/731, 738, 828–829; 2/16, 67, 69, 94, 102, 105, 227–228  
See application file for complete search history.

FIG. 1 is a front perspective view of a weighted exercise pants showing our new design.  
FIG. 2 is a front view thereof.  
FIG. 3 is a back view thereof.  
FIG. 4 is a left side view thereof.  
FIG. 5 is a right side view thereof.  
FIG. 6 is a second front view thereof, showing how the unclaimed weights are inserted.  
FIG. 7 is a second front view thereof, showing an alternate belt loop style.  
FIG. 8 is a third front view thereof, showing the unclaimed weights within the pockets, and showing the crotch section in a stretched configuration; and,  
FIG. 9 is a second back view thereof, showing the central buttocks area in a stretched configuration.  
The broken lines illustrate environmental structure and form no part of the claimed design.

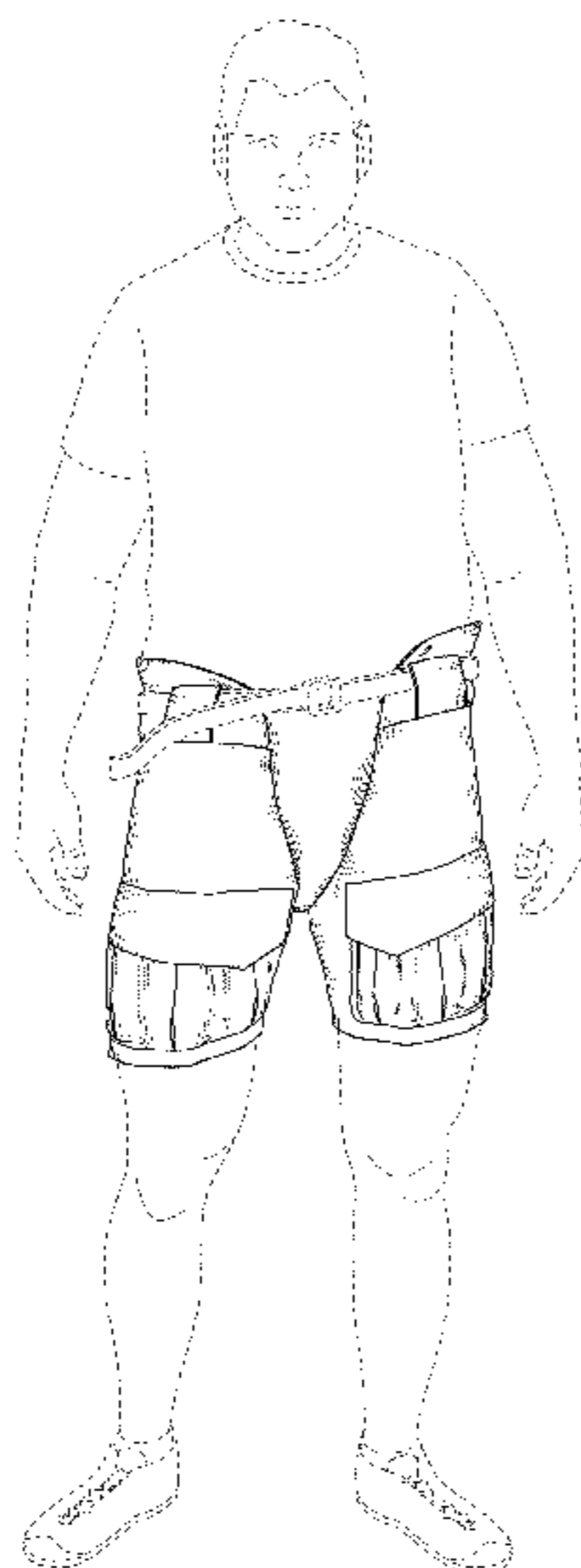
(56) **References Cited**

U.S. PATENT DOCUMENTS

2,599,769	A	6/1952	MacRae et al.	
3,759,510	A	9/1973	Jackson, Jr.	
4,180,261	A	12/1979	Kolka	
4,303,239	A	12/1981	Walsh, Jr.	
D274,194	S *	6/1984	Rutty	D21/683
D278,840	S *	5/1985	Winston	D21/683
4,658,442	A	4/1987	Tomlinson et al.	
4,953,856	A	9/1990	Fox, III	
4,958,386	A	9/1990	Louis-Jeune	
5,010,596	A	4/1991	Brown et al.	

(Continued)

**1 Claim, 6 Drawing Sheets**



U.S. PATENT DOCUMENTS

5,033,117	A	7/1991	Fairweather	
5,048,125	A	9/1991	Libertini et al.	
5,075,902	A	12/1991	McReynolds et al.	
5,144,694	A	9/1992	Conrad Da oud et al.	
5,267,928	A	12/1993	Barile et al.	
5,487,710	A	1/1996	Lavorgna et al.	
5,547,445	A	8/1996	Chang	
5,553,322	A	9/1996	Cebo-Johnson	
5,555,562	A	9/1996	Holt et al.	
5,572,737	A	11/1996	Valice	
5,659,898	A	8/1997	Bell, Jr.	
D393,028	S	3/1998	Robinson et al.	
5,784,716	A	7/1998	Holt et al.	
5,868,652	A	2/1999	Spletzer	
5,937,441	A	8/1999	Raines	
5,951,446	A	9/1999	Monforte	
5,978,964	A	11/1999	Gaston	
5,983,391	A	11/1999	Palmer et al.	
6,005,041	A	12/1999	Cook	
6,039,677	A	3/2000	Spletzer	
D425,584	S	5/2000	Hines	
6,070,273	A	6/2000	Sgro	
6,200,244	B1	3/2001	Cook	
6,244,997	B1	6/2001	Cook	
6,554,752	B2	4/2003	Cook	
6,669,608	B1	12/2003	Winston	
6,671,887	B1	1/2004	Eligan et al.	
6,719,712	B2	4/2004	Zigmont	
7,090,624	B1	8/2006	Chrishon	
7,156,792	B2	1/2007	Gibson-Horn	
D545,028	S	6/2007	Myrick	
D545,529	S	7/2007	Helbing et al.	
D586,085	S	2/2009	Lounsbury, Jr.	
7,523,508	B2	4/2009	Contant et al.	
D639,875	S	6/2011	Pou et al.	
D657,832	S *	4/2012	Beber et al. ....	D21/683
D664,614	S *	7/2012	Pou et al. ....	D21/683
2001/0047145	A1	11/2001	Zigmont	
2002/0010058	A1	1/2002	Myrick	
2003/0092544	A1	5/2003	Reed	
2003/0186789	A1	10/2003	Cook	
2006/0135326	A1	6/2006	Virji et al.	
2006/0172870	A1	8/2006	Virji	
2007/0283479	A1	12/2007	Hasanen	
2008/0078008	A1	4/2008	Demarest et al.	
2008/0280737	A1	11/2008	Cook	
2009/0111667	A1	4/2009	Dimucci, III	
2009/0139005	A1	6/2009	Whaley	
2013/0000021	A1 *	1/2013	Dolcetti .....	2/455

OTHER PUBLICATIONS

PCT/IB2011/000995—International Search Report (Dec. 7, 2011), 3 pages. This PCT application is a counterpart to the present application. The ISR cites JP-10-305112 (which is the counterpart of US5978964 cited in previous IDS of Feb. 8, 2011). The ISR also cites

KR 20-1994-0022069 U (Gang, Sin Gi) Oct. 19, 1994. The remaining references cited in the ISR (Myrick and Ayaz) were already disclosed in prior IDS of Feb. 15, 2011.

PCT/IB2011/000995—Written Opinion (Dec. 7, 2011), 3 pages. This PCT application is a counterpart to the present application. The WO cites JP-10-305112 (which is the counterpart of US5978964 cited in previous IDS of Feb. 8, 2011). The WO also cites KR 20-1994-0022069 U (Gang, Sin Gi) Oct. 19, 1994. The remaining references cited in the WO (Myrick and Ayaz) were already disclosed in prior IDS of Feb. 15, 2011.

Pou et al., First nonfinal office action dated Jun. 18, 2012 in related parent U.S. Appl. No. 12/758,759, 32 pages.

Webpages from Bauer (<http://www.bauer.com/gear/player/pants> printed Apr. 9, 2010) showing prior art “Supreme” brand of hockey pants, such as the “Supreme One95 Pant”. 3 pages.

Webpage from Easton Hockey (<http://eastonhockey.com/s1s1s1s1.html> printed Apr. 9, 2009) showing prior art Stealth S1 hockey pants. 1 page.

Webpage from Ironwear Fitness showing the prior art the Flex-Metal weight inserts (<http://store.ironwearfitness.com/flexmetal.html> printed Apr. 8, 2010). 3 pages.

Webpages from GoFit.net showing a prior art weighed vest. (<http://www.gofit.net/weighted-vests.php> printed Apr. 8, 2010). 2 pages.

Digital photos showing the inside of a prior art GoFit.net weighed vest along with weight insert. 3 pages.

Webpages from GoFit.net showing a prior art ankle weights. (<http://www.gofit.net/ankle-weights.php> printed Apr. 8, 2010). 2 pages.

Brown, Lee and Ferrigno, Vance. “Stride Frequency and Stride Length”. Human Kinetics Publishers, Inc., ([http://www.humankinetics.com/products/showexcerpt.cfm?excerpt\\_id=3910](http://www.humankinetics.com/products/showexcerpt.cfm?excerpt_id=3910), printed Apr. 9, 2009).

Webpages from Ironwear Fitness showing their “Uni-Pants” prior art weighted conditioning pants. (<http://store.ironwearfitness.com/unipants.html> printed Apr. 9, 2009). 3 pages.

Webpages from Athletic Training Innovations featuring their “Skillz” weighted vests and shorts suit. (<http://www.atinnovate.com/products/skillz-complete-suit> printed Jun. 8, 2010). 3 pages.

Webpages from Athletic Training Innovations featuring their “Skillz” weighted shorts. (<http://www.atinnovate.com/products/skillz-shorts> printed Jun. 8, 2010). 3 pages.

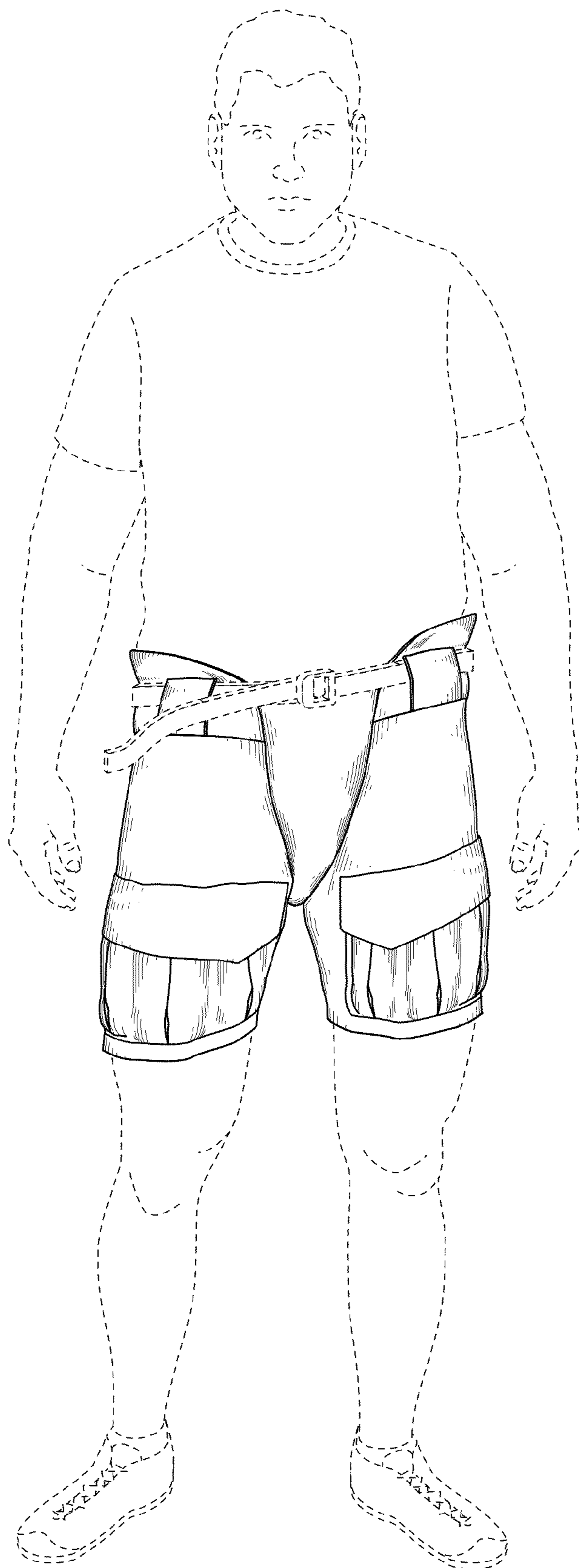
Webpages from Athletic Training Innovations featuring their “Skillz” weighted vests. (<http://www.atinnovate.com/products/skillz-vest> printed Jun. 8, 2010). 2 pages.

Galt, Dwight. Dynamic Leg Strength. Dec. 11, 2008. (<http://underground.underarmour.com/tnptraining/index.cfm/2008/12/11/Dynamic-Leg-Strength>, printed Apr. 9, 2009). 2 pages.

Yessis, Michael. “Using Weighted Pants”. (<http://www.tennistrainer.com/weightedpants.html> printed Apr. 9, 2009). 2 pages.

Webpages from SPT Sports Portal regarding the “Pro Power Suit” weighted vest and weighted suit. ([http://www.propowersuit.com/weighted\\_vest\\_works.html](http://www.propowersuit.com/weighted_vest_works.html) printed Jun. 8, 2010). 2 pages.

\* cited by examiner



**FIG. 1**

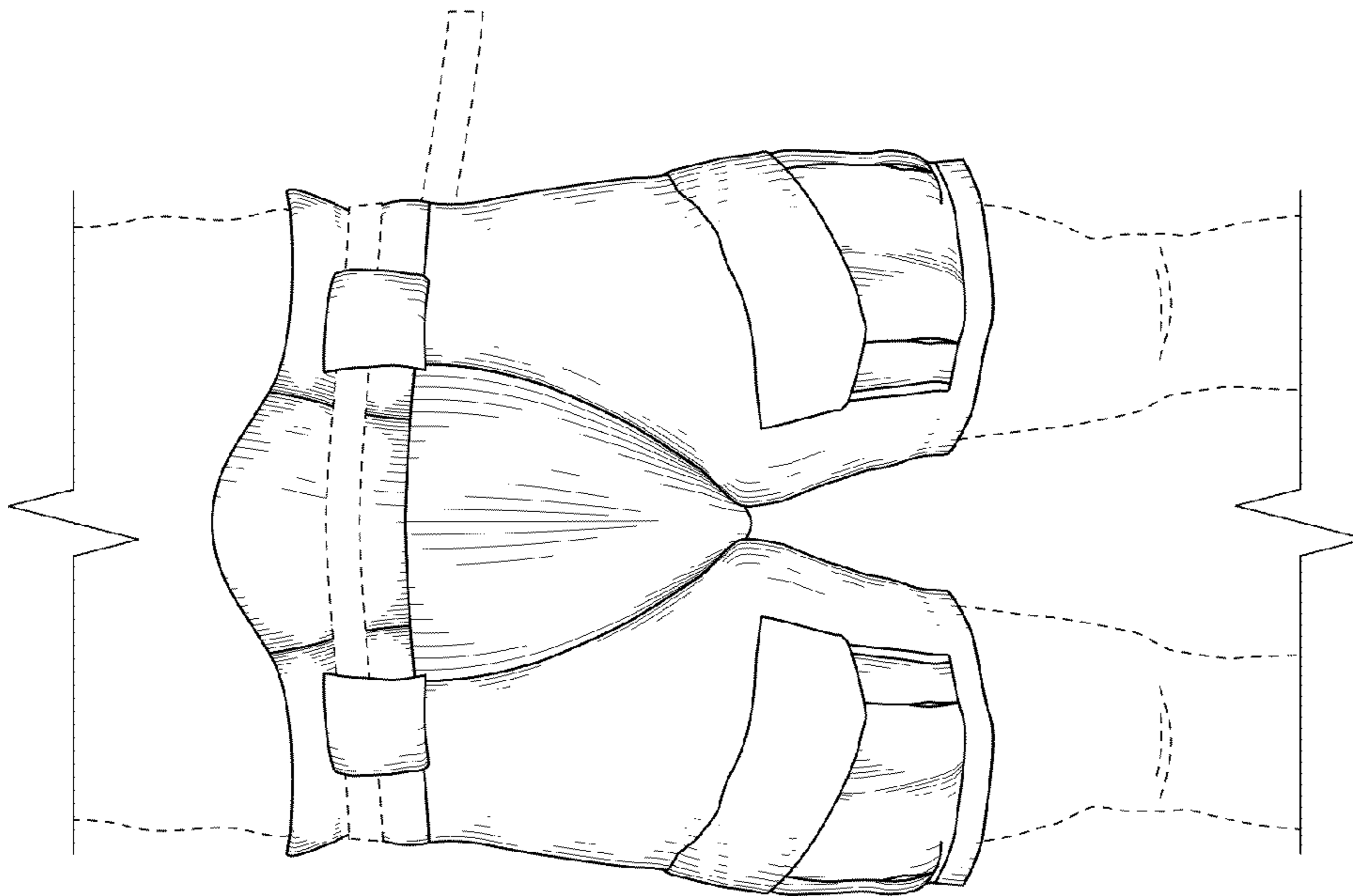


FIG. 2

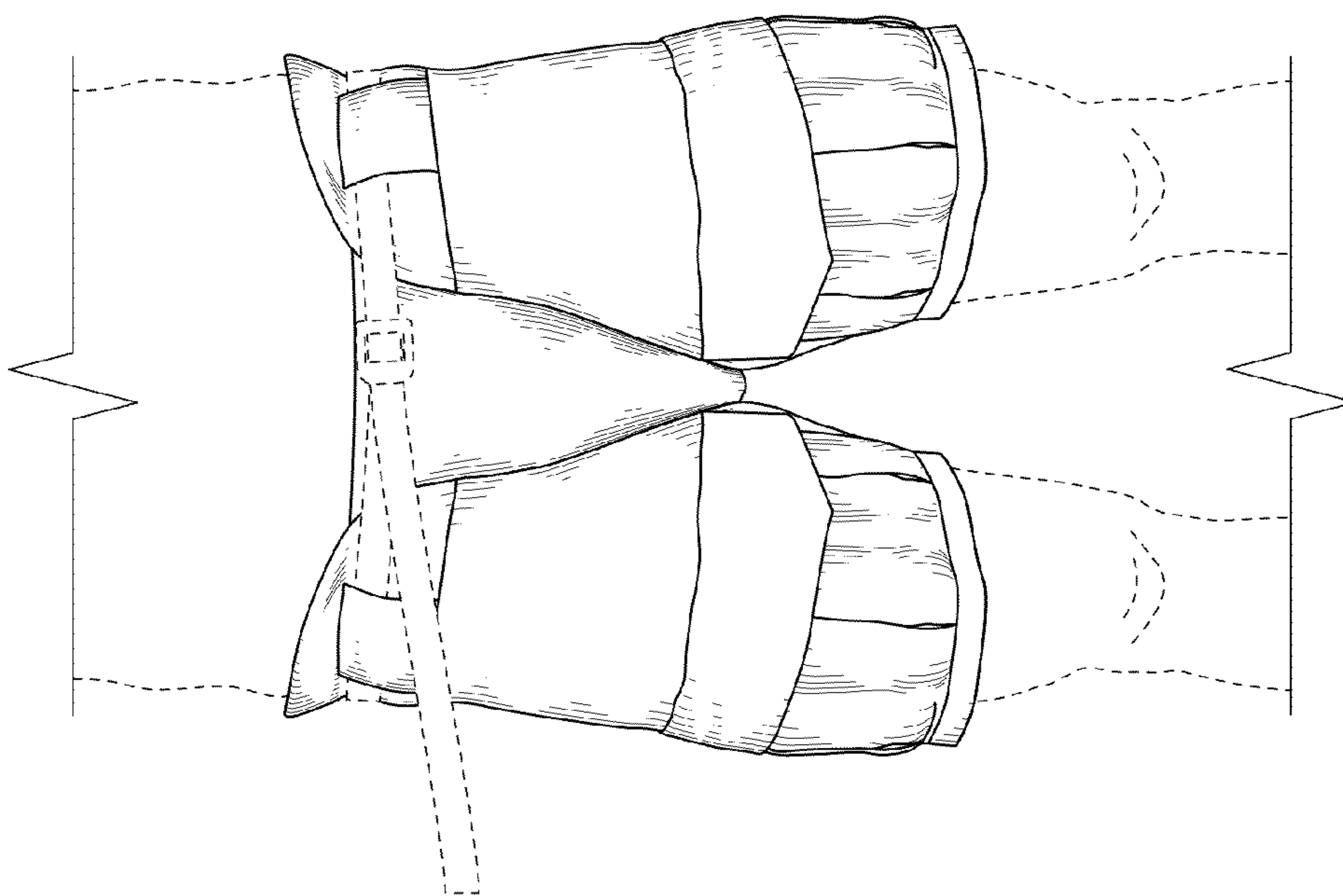


FIG. 3

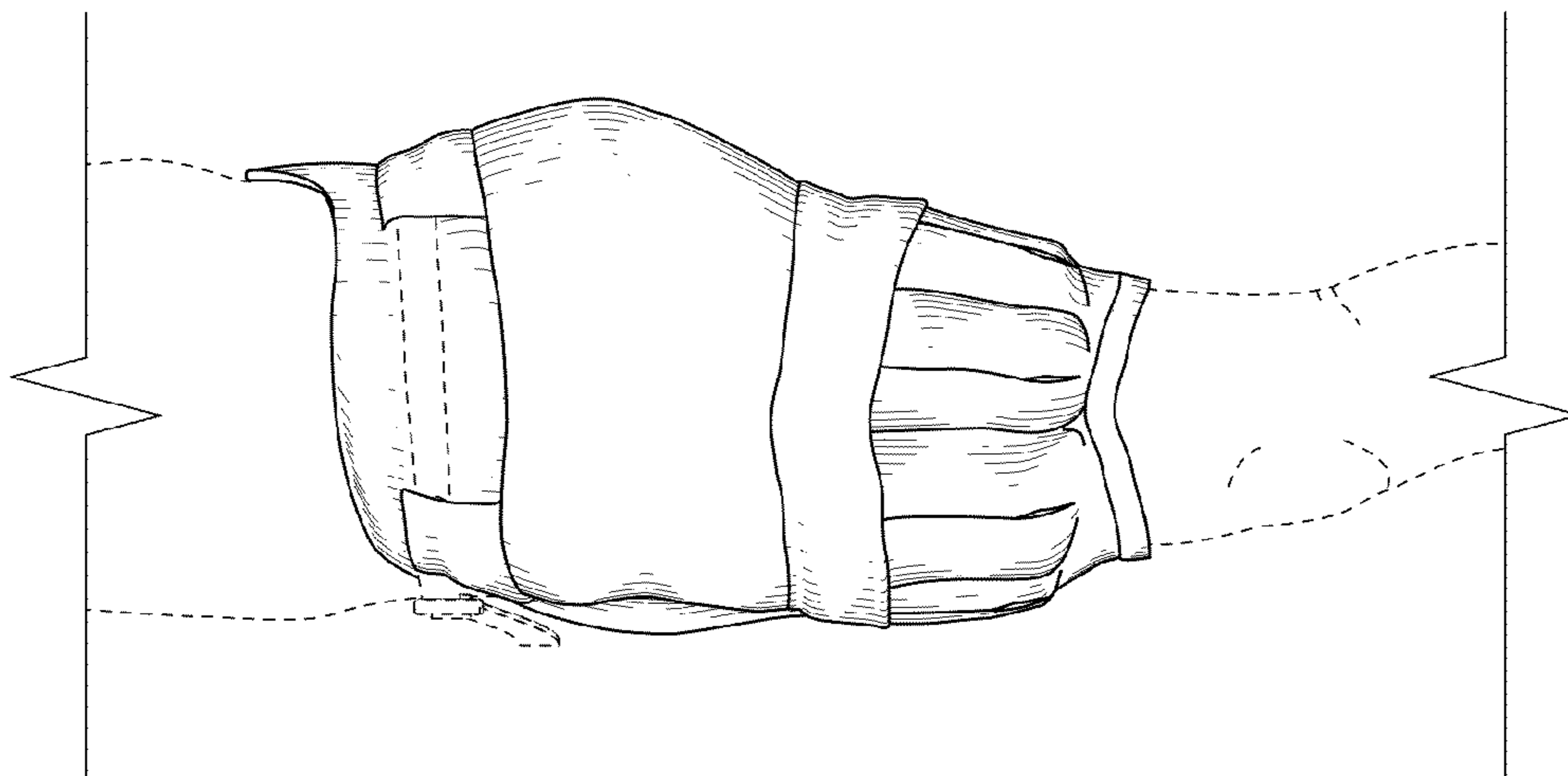


FIG. 4

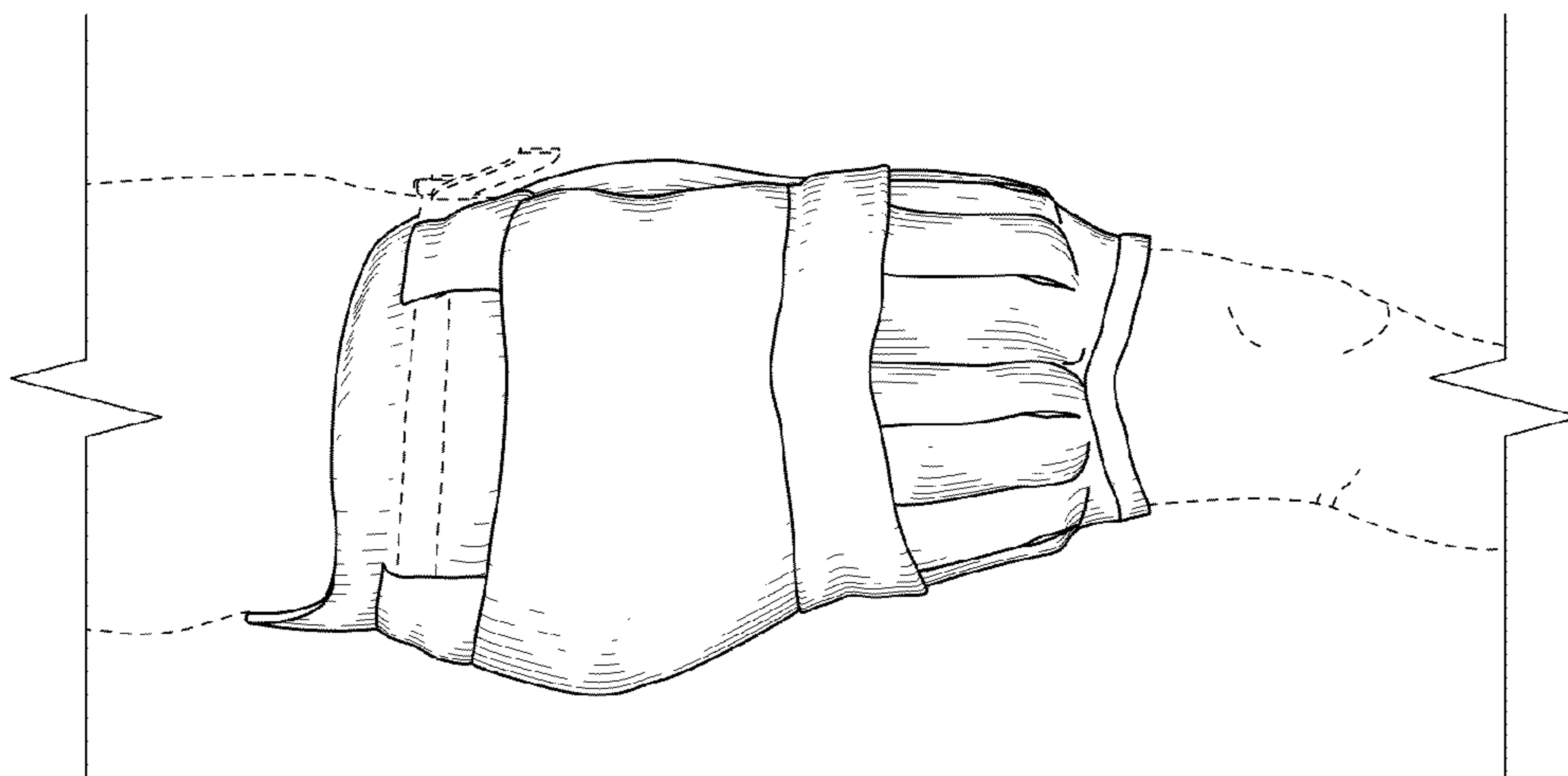


FIG. 5

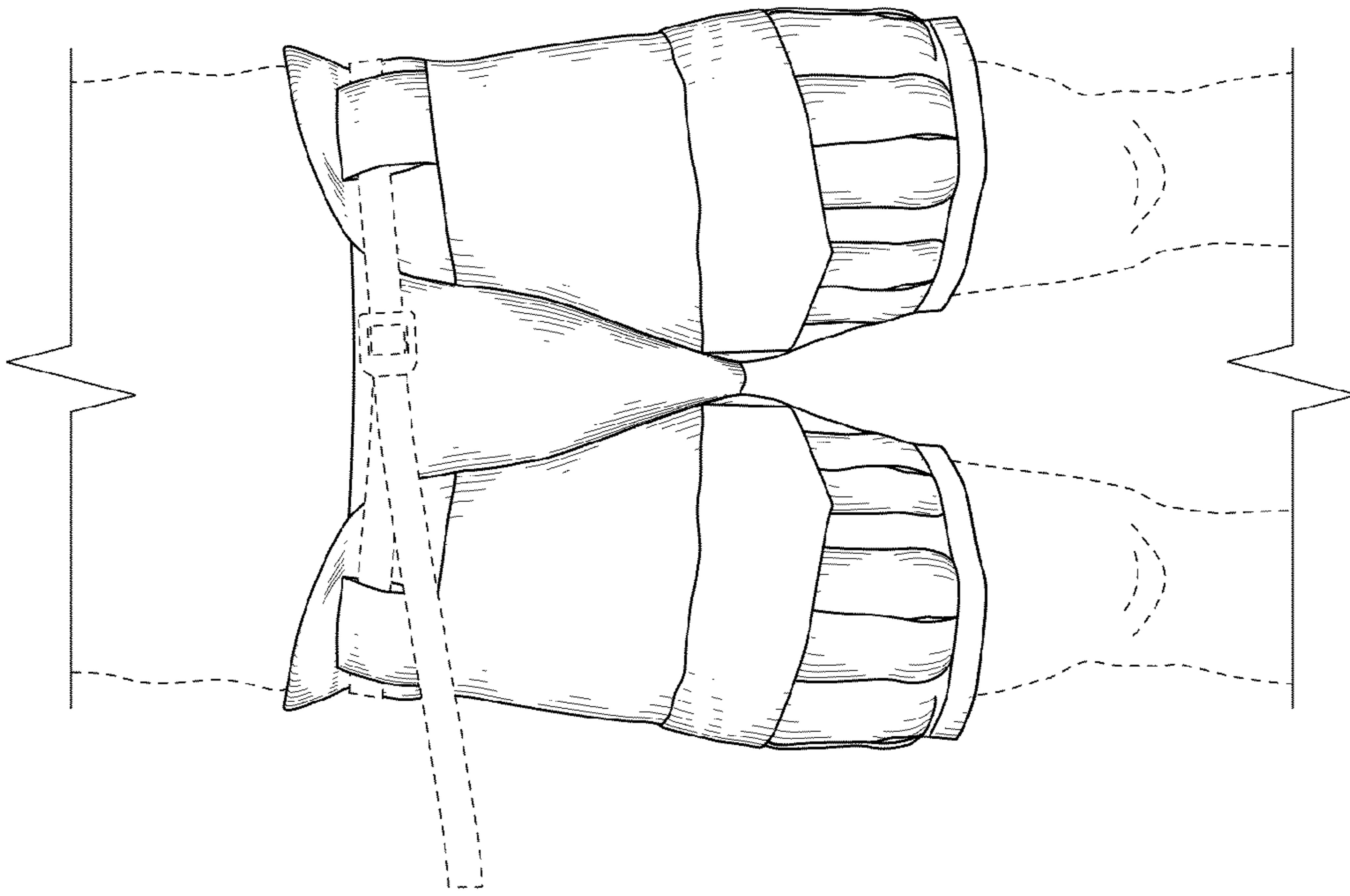


FIG. 7

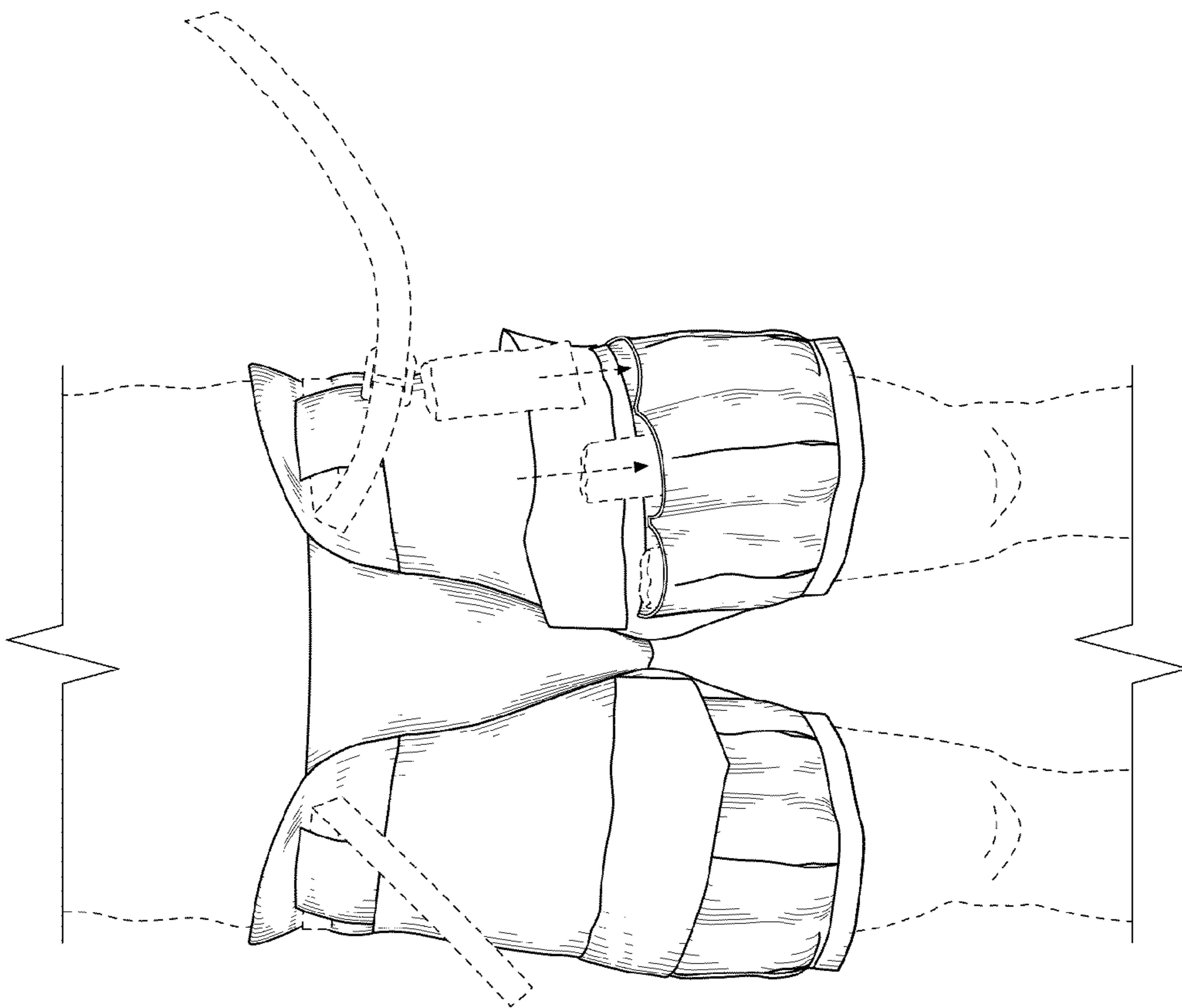
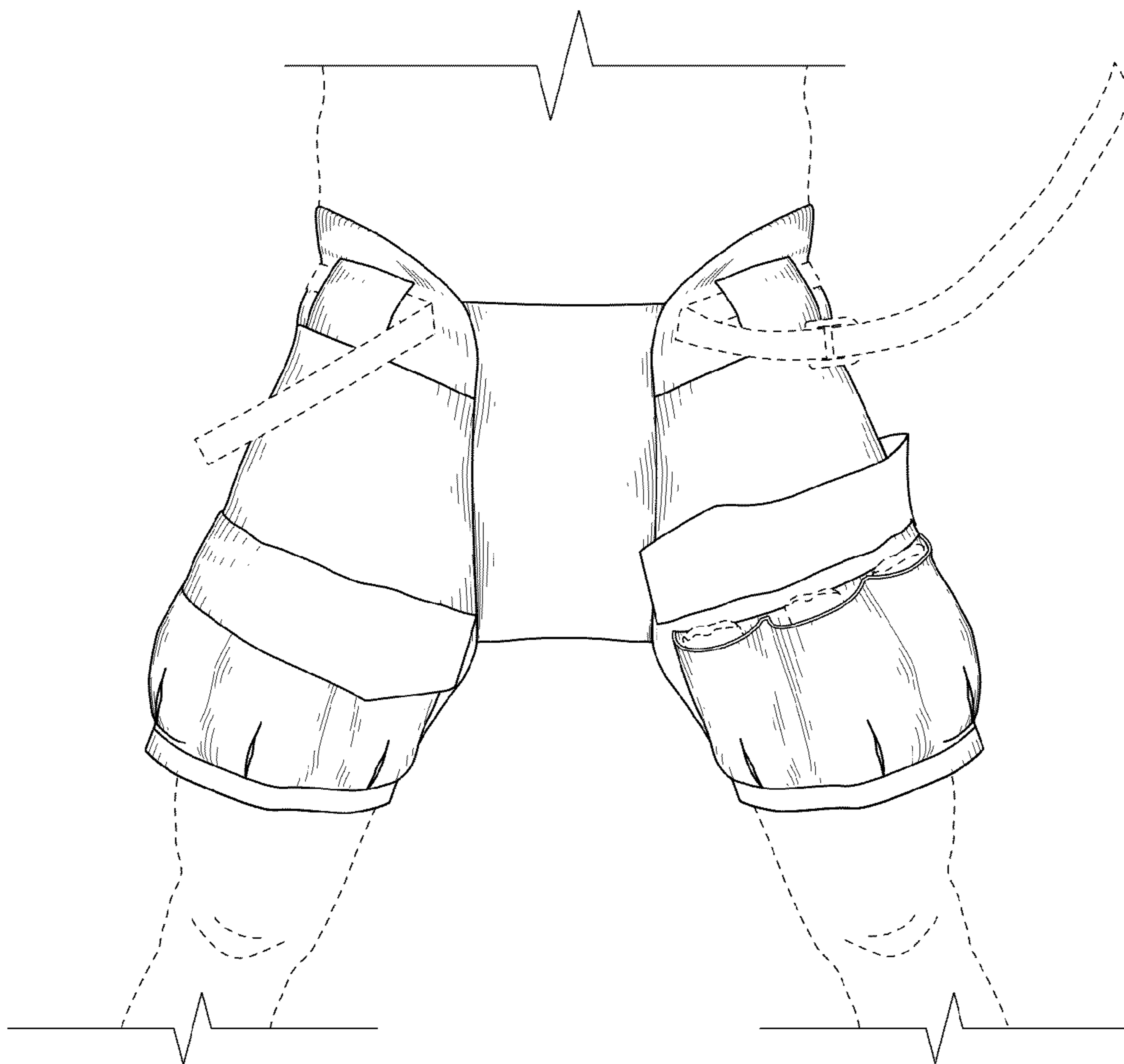
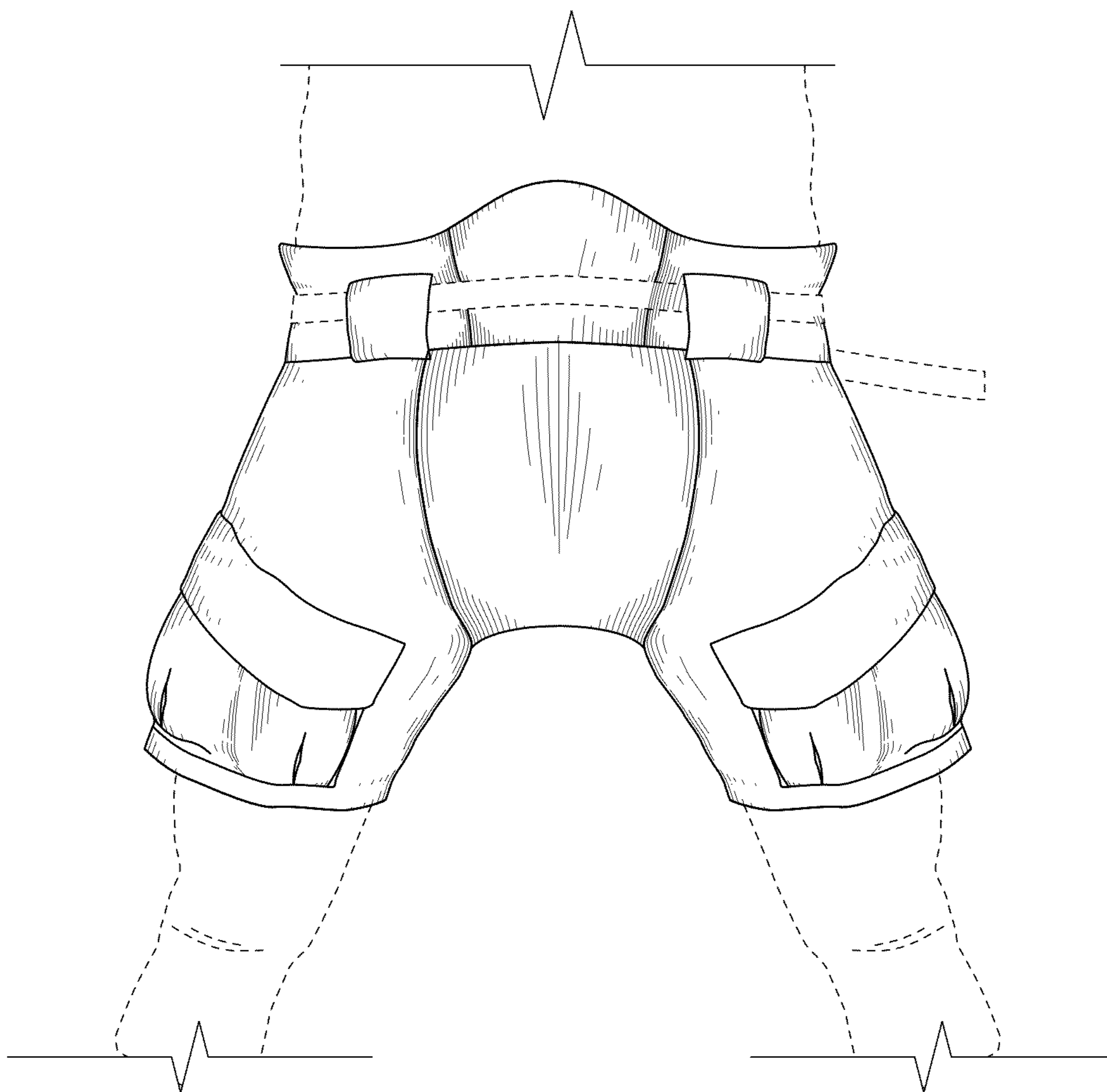


FIG. 6



**FIG. 8**



**FIG. 9**