



US00D682955S

(12) **United States Design Patent**
Stephan

(10) **Patent No.:** **US D682,955 S**

(45) **Date of Patent:** **** May 21, 2013**

(54) **EXERCISE BAR**

(76) **Inventor:** **Erich Kai Stephan**, Huntington Beach,
CA (US)

(**) **Term:** **14 Years**

(21) **Appl. No.:** **29/408,733**

(22) **Filed:** **Dec. 15, 2011**

(51) **LOC (9) Cl.** **21-02**

(52) **U.S. Cl.**
USPC **D21/679**

(58) **Field of Classification Search**
USPC D21/662, 679, 691, 694; 482/23,
482/35-40, 94, 98, 139-143, 145, 148, 208;
D6/566, 691.7, 708.16; D8/321, 349, 373
See application file for complete search history.

(56) **References Cited**

U.S. PATENT DOCUMENTS

| | | | | | |
|-----------|-----|---------|----------------------|-------|---------|
| 258,146 | A * | 5/1882 | Smith | | 482/40 |
| 1,168,361 | A * | 1/1916 | Wilson | | 482/39 |
| D162,337 | S * | 3/1951 | O’Gatty | | D24/190 |
| D197,076 | S * | 12/1963 | Spackman, Jr. et al. | | D21/691 |
| D210,469 | S * | 3/1968 | Sejersen | | D21/691 |
| 3,915,452 | A * | 10/1975 | Winblad | | 482/40 |
| 4,407,478 | A * | 10/1983 | Hodges | | 248/542 |
| 4,412,677 | A * | 11/1983 | Viramontes | | 482/39 |
| D297,957 | S * | 10/1988 | Gordon, III | | D21/691 |
| D348,706 | S * | 7/1994 | Harrell | | D21/691 |
| 5,417,628 | A * | 5/1995 | Vanderbleek | | 482/40 |
| 5,776,033 | A * | 7/1998 | Brown | | 482/40 |
| D554,209 | S * | 10/2007 | Loucks | | D21/694 |

| | | | | | |
|--------------|------|---------|------------------|-------|---------|
| D607,519 | S * | 1/2010 | Calvin | | D21/662 |
| D623,707 | S * | 9/2010 | Ritchie | | D21/679 |
| D626,187 | S * | 10/2010 | Friedman et al. | | D21/679 |
| D633,156 | S * | 2/2011 | Caswell et al. | | D21/679 |
| D633,961 | S * | 3/2011 | Loew et al. | | D21/679 |
| D650,024 | S * | 12/2011 | Ivanov | | D21/691 |
| 8,172,726 | B1 * | 5/2012 | Leier | | 482/23 |
| 8,206,270 | B2 * | 6/2012 | Skipper | | 482/40 |
| D667,901 | S * | 9/2012 | Garcia Chavez | | D21/679 |
| 2005/0250619 | A1 * | 11/2005 | Daikeler et al. | | 482/40 |
| 2012/0115683 | A1 * | 5/2012 | Ross | | 482/38 |
| 2012/0115684 | A1 * | 5/2012 | Nguyen | | 482/40 |
| 2013/0040784 | A1 * | 2/2013 | Gillespie et al. | | 482/39 |

* cited by examiner

Primary Examiner — Susan E Krakower

(74) *Attorney, Agent, or Firm* — QuickPatents; Kevin Prince

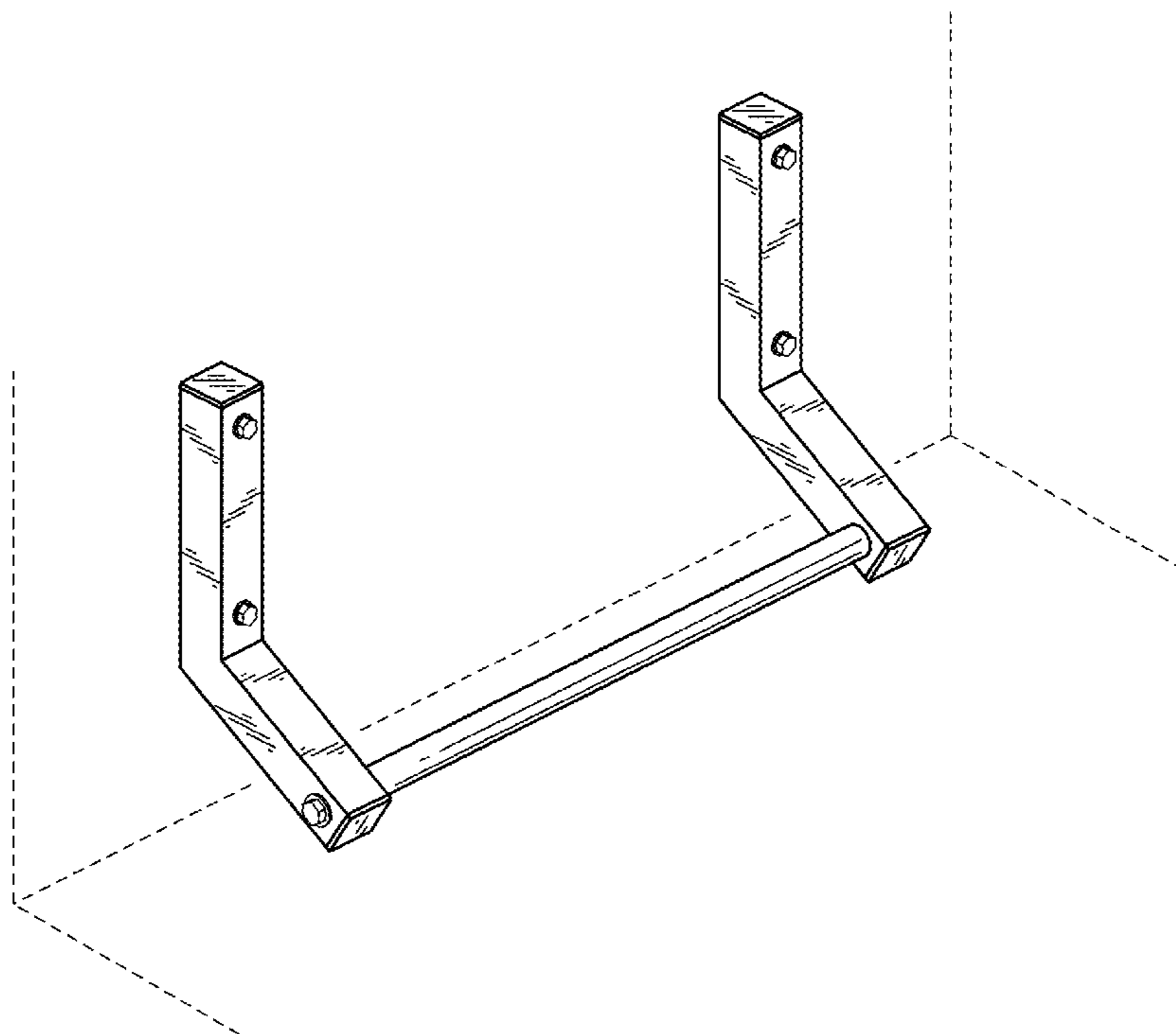
(57) **CLAIM**

I claim the ornamental design for an exercise bar, as shown and described.

DESCRIPTION

FIG. 1 is a perspective view of an exercise bar, showing my new design;
FIG. 2 is a front elevational view thereof;
FIG. 3 is a top plan view thereof;
FIG. 4 is a left-side elevational view thereof, the right-side elevational view being a mirror image thereof;
FIG. 5 is a rear elevational view thereof; and,
FIG. 6 is a bottom plan view thereof.
The broken lines showing wall and floor in FIG. 1 depict environmental matter and form no part of the claimed design.

1 Claim, 3 Drawing Sheets



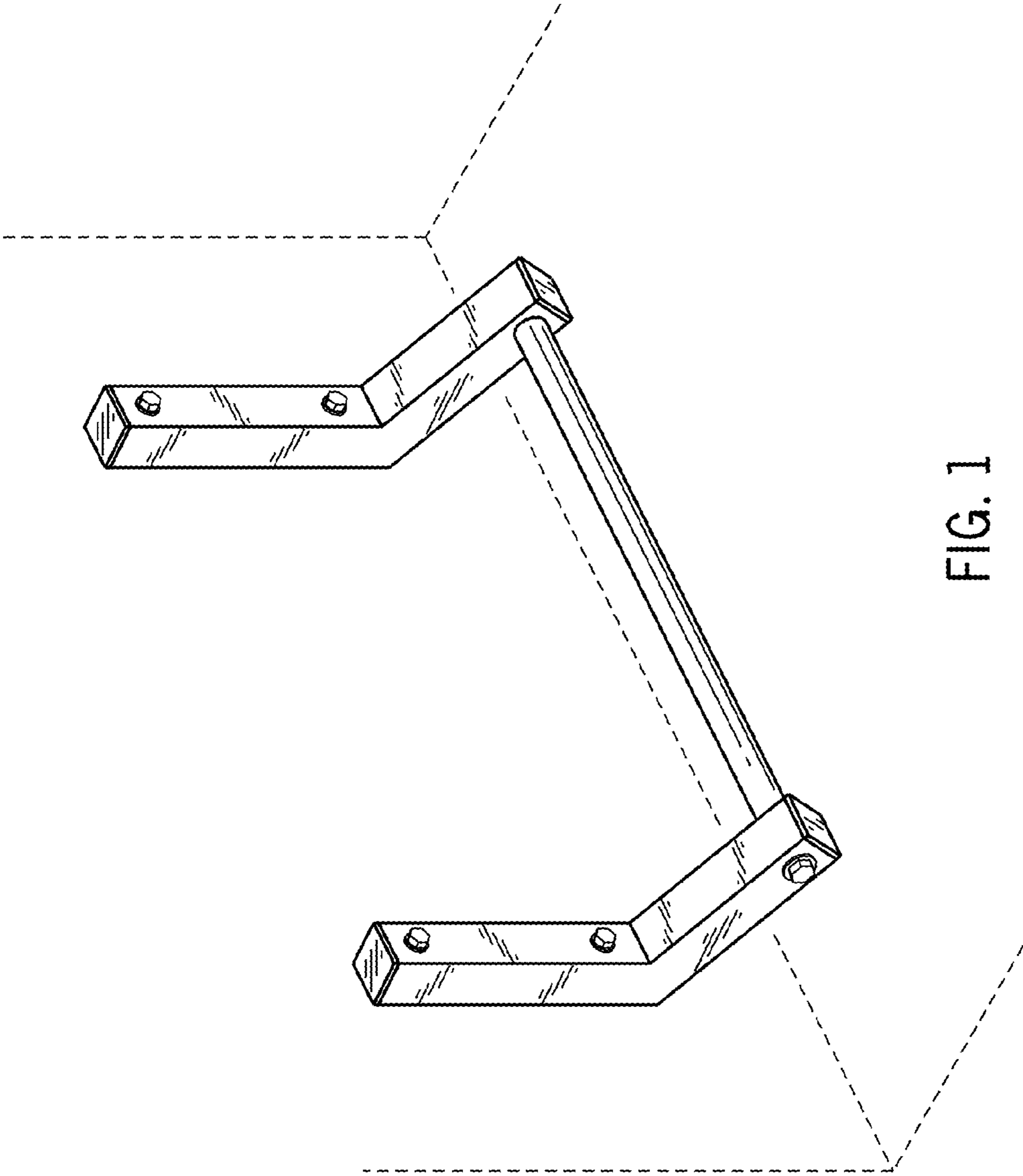


FIG. 1

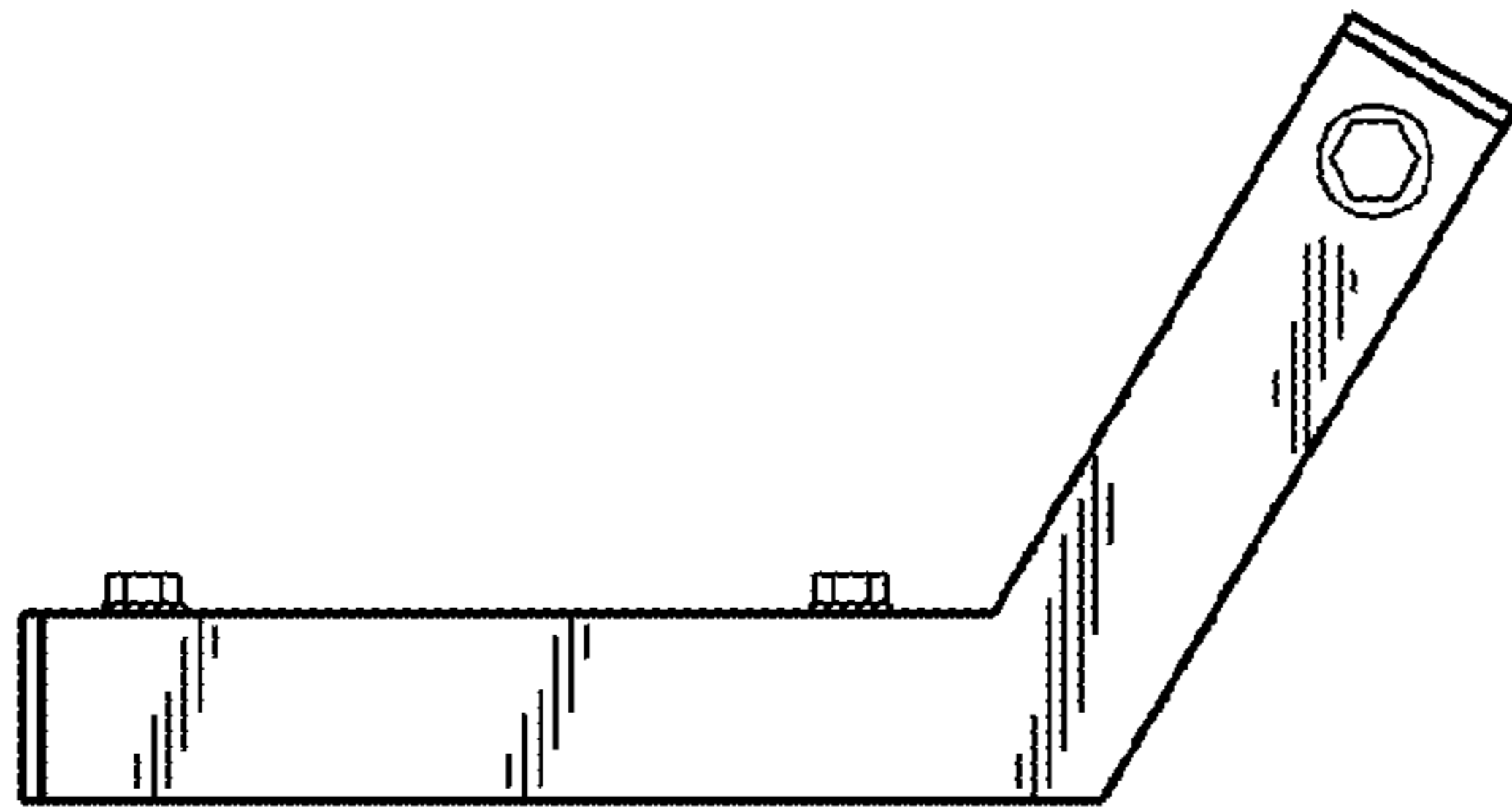


FIG. 4

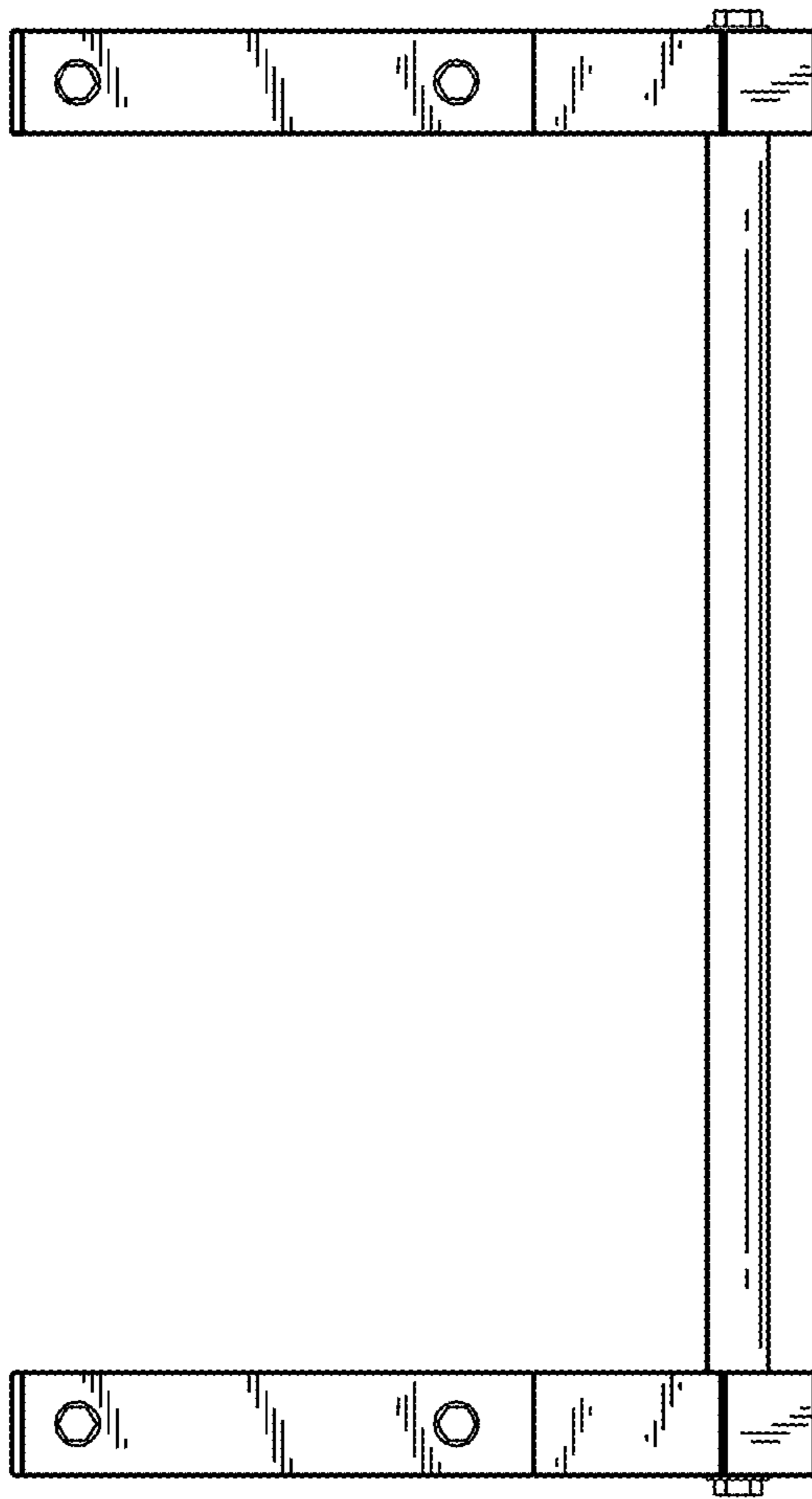


FIG. 2

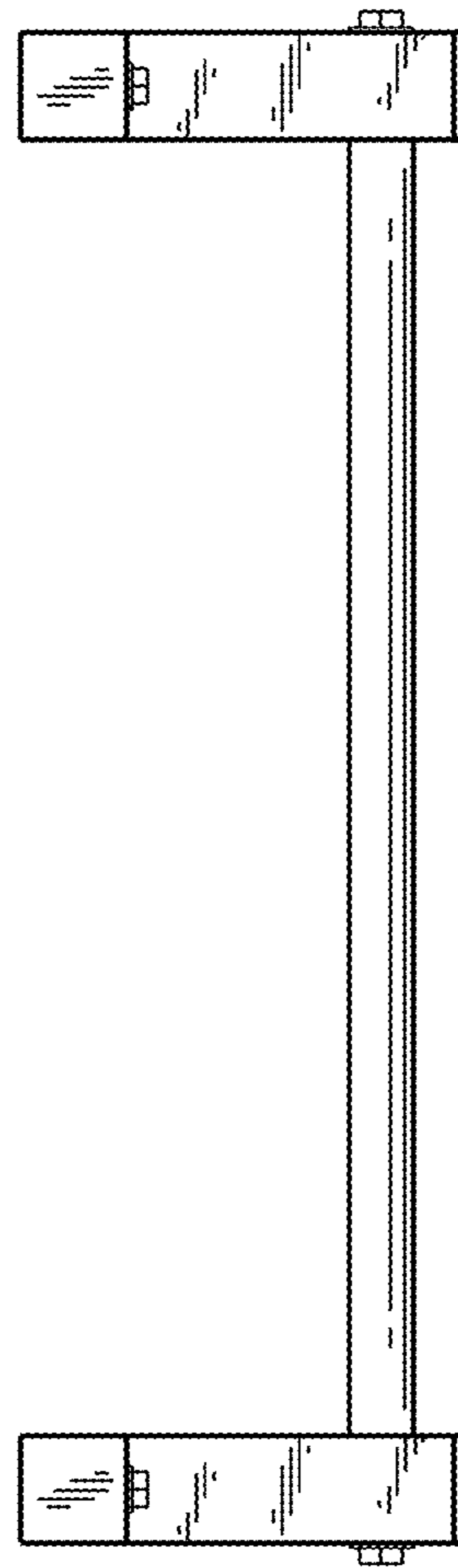


FIG. 3

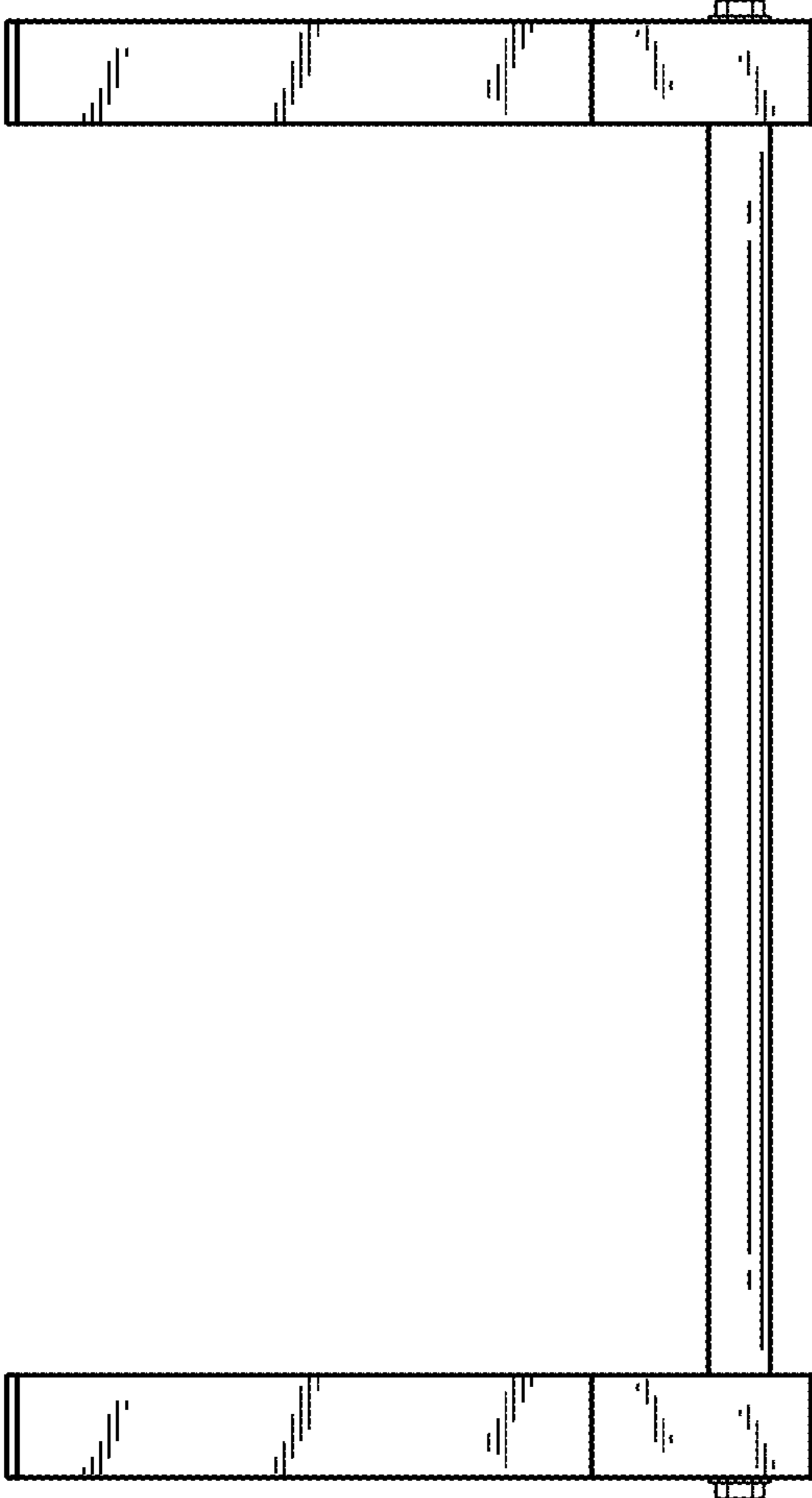


FIG. 5

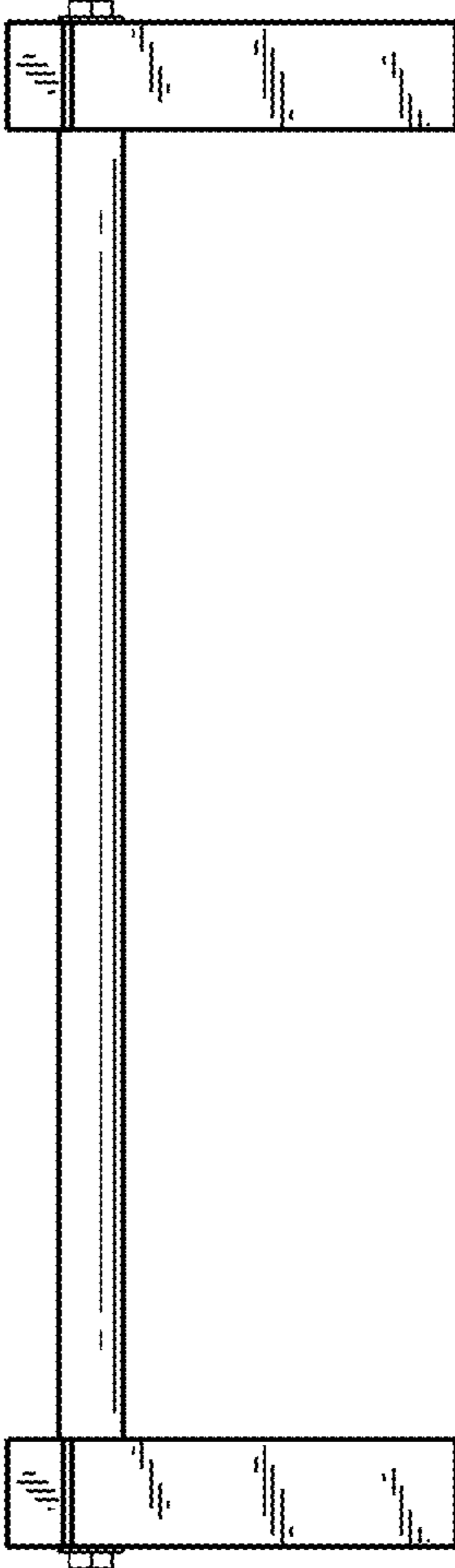


FIG. 6