



US00D682954S

(12) **United States Design Patent**  
**Cornejo et al.**

(10) **Patent No.:** **US D682,954 S**

(45) **Date of Patent:** **\*\* May 21, 2013**

(54) **STATIONARY CYCLE**

(76) Inventors: **Victor Cornejo**, Riverside, CA (US);  
**Kevin Corbalis**, Tustin, CA (US); **Deo Magakat**, Colton, CA (US); **John Cook**,  
Ventura, CA (US); **John Baudhuin**,  
Santa Monica, CA (US)

(\*\*) Term: **14 Years**

(21) Appl. No.: **29/415,593**

(22) Filed: **Mar. 12, 2012**

(51) **LOC (9) Cl.** ..... **21-02**

(52) **U.S. Cl.**  
USPC ..... **D21/667**

(58) **Field of Classification Search** ..... D21/662-667,  
D21/694, 697; 482/5, 6, 57-63, 903; 280/274,  
280/275, 277, 281.1, 283, 288.2, 288.3; D12/111  
See application file for complete search history.

(56) **References Cited**

**U.S. PATENT DOCUMENTS**

D275,589	S *	9/1984	Gustafsson	.....	D21/667
D291,462	S *	8/1987	Aalto	.....	D21/667
D292,225	S *	10/1987	Breger	.....	D21/667
D299,732	S *	2/1989	Gustafsson	.....	D21/667
D313,055	S *	12/1990	Watterson	.....	D21/696
D323,368	S *	1/1992	Whitesel	.....	D21/667
D323,863	S *	2/1992	Watterson	.....	D21/667
D372,284	S *	7/1996	Wang et al.	.....	D21/667
D473,602	S *	4/2003	Baudhuin et al.	.....	D21/697
6,905,445	B1 *	6/2005	Lin	.....	482/57
7,081,070	B1 *	7/2006	Washington et al.	.....	482/57
D532,063	S *	11/2006	Kim et al.	.....	D21/697
D616,050	S *	5/2010	Lull	.....	D21/667

D624,612	S *	9/2010	Watt	.....	D21/667
D636,449	S *	4/2011	Wu	.....	D21/667
D649,204	S *	11/2011	Zhang	.....	D21/667
2003/0171191	A1 *	9/2003	Crawford et al.	.....	482/57

\* cited by examiner

*Primary Examiner* — Susan E Krakower

(74) *Attorney, Agent, or Firm* — Brown IP Law LC; Kerry W. Brown

(57) **CLAIM**

The ornamental designs for a stationary cycle, as shown and described.

**DESCRIPTION**

FIG. 1 depicts a perspective view of the top, front, and left side of a stationary cycle.

FIG. 2 depicts a perspective view of the top, rear, and right side of the stationary cycle of FIG. 1.

FIG. 3 depicts a right side view of the stationary cycle of FIG. 1.

FIG. 4 depicts a left side view of the stationary cycle of FIG. 1.

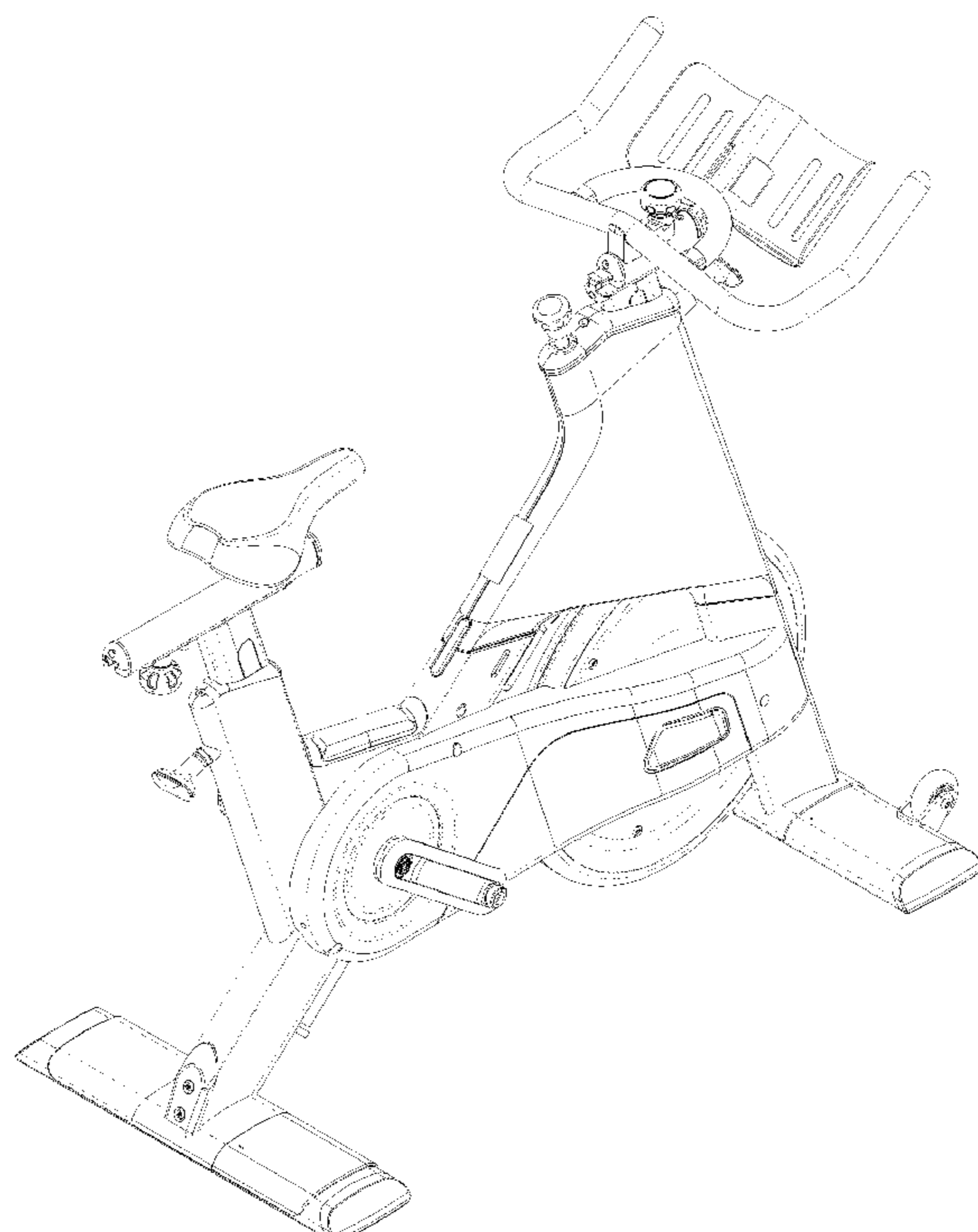
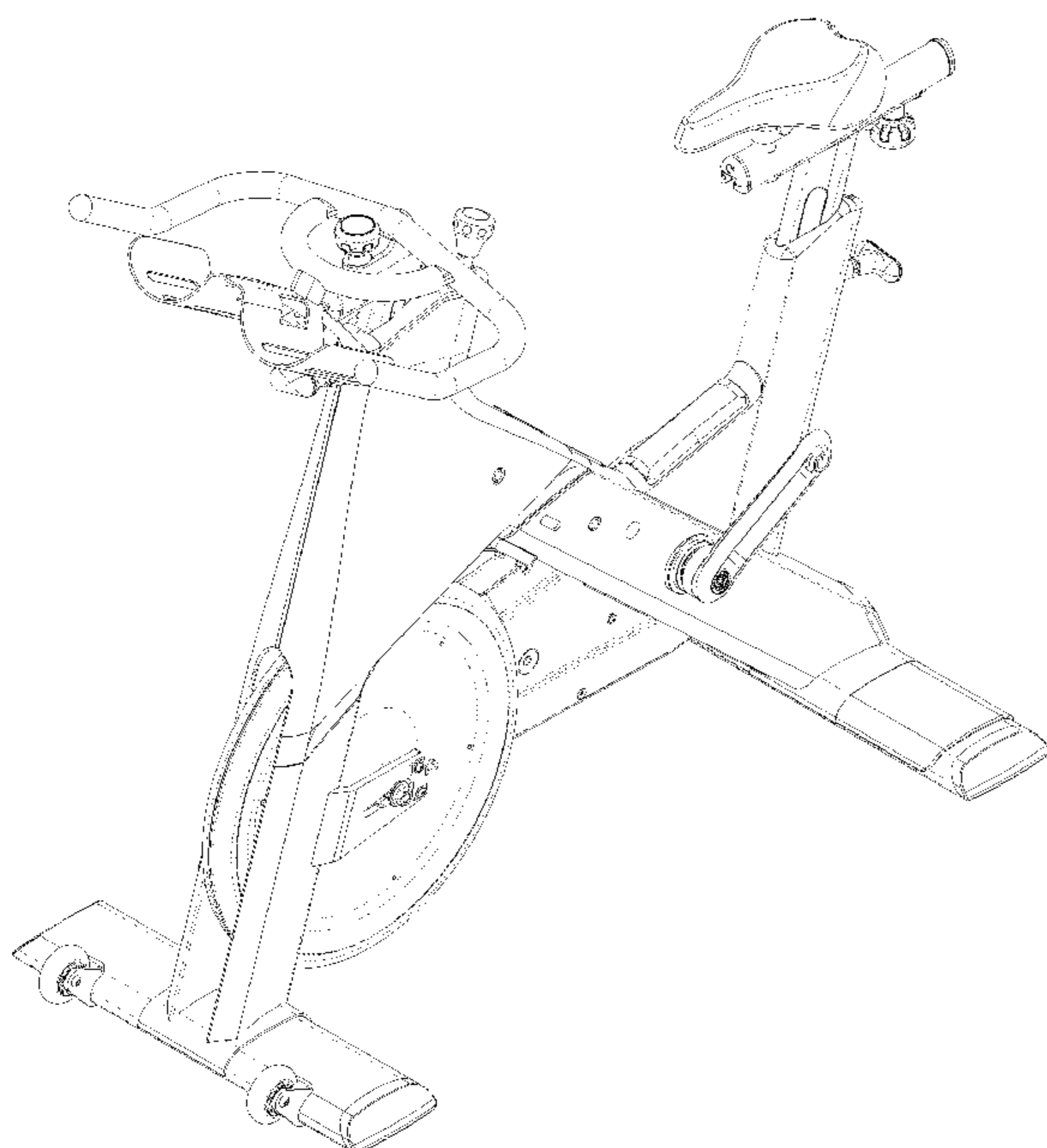
FIG. 5 depicts a front view of the stationary cycle of FIG. 1 shown in an enlarged scale for clarity and ease of illustration.

FIG. 6 depicts a rear view of the stationary cycle of FIG. 1 shown in an enlarged scale for clarity and ease of illustration.

FIG. 7 depicts a top view of the stationary cycle of FIG. 1 shown in an enlarged scale for clarity and ease of illustration; and,

FIG. 8 depicts a bottom view of the stationary cycle of FIG. 1 shown in an enlarged scale for clarity and ease of illustration.

**1 Claim, 8 Drawing Sheets**



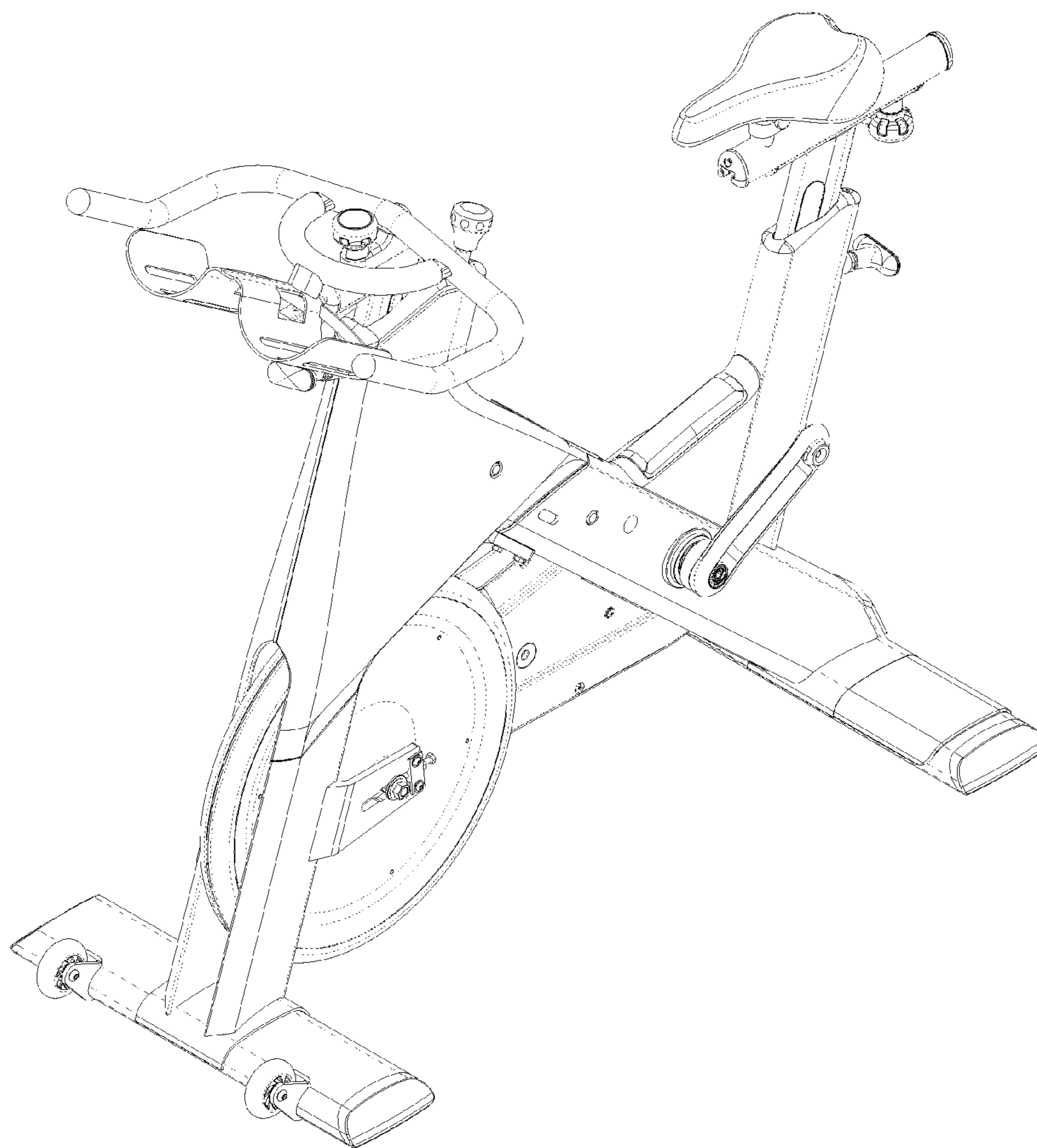


FIG. 1

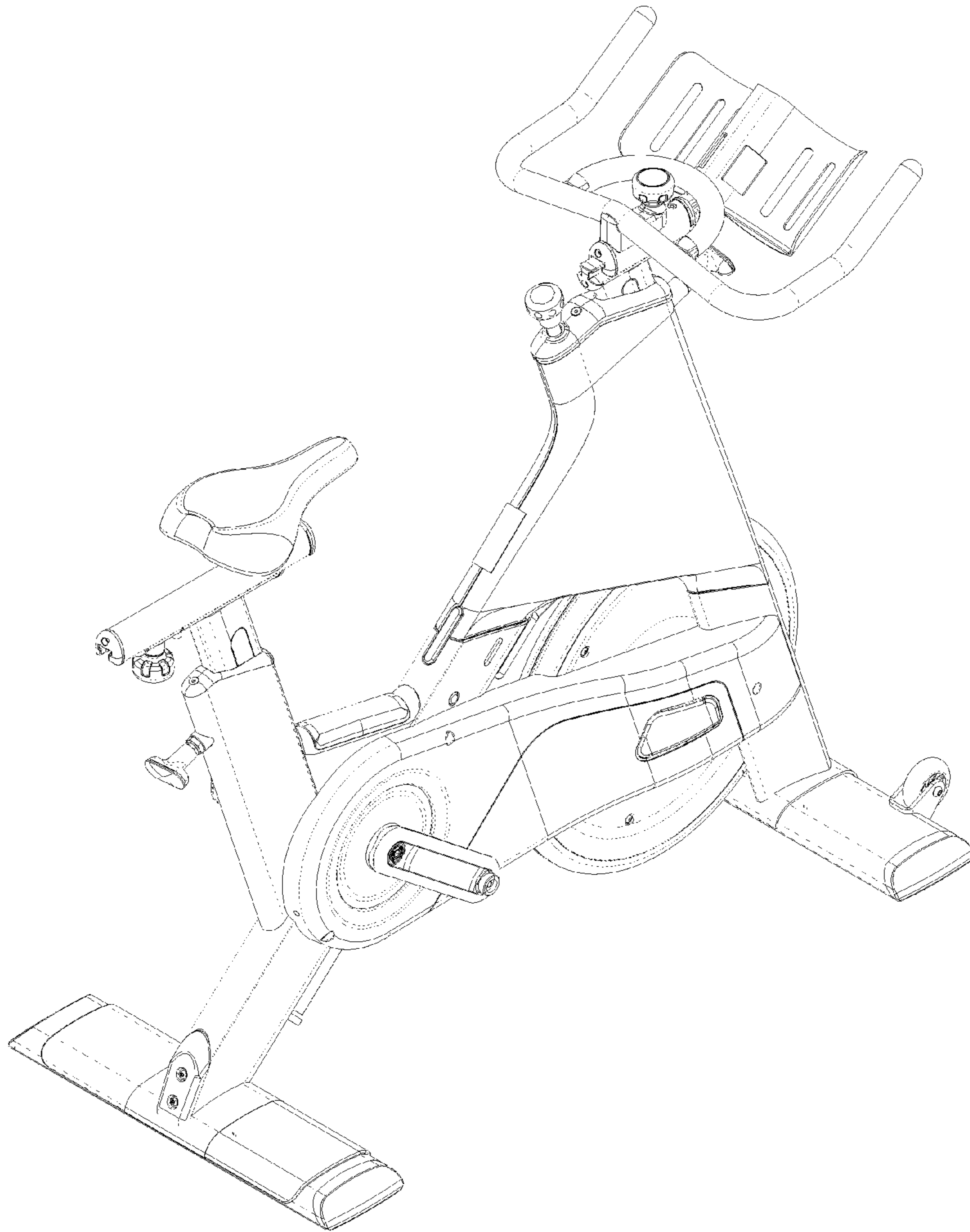


FIG. 2

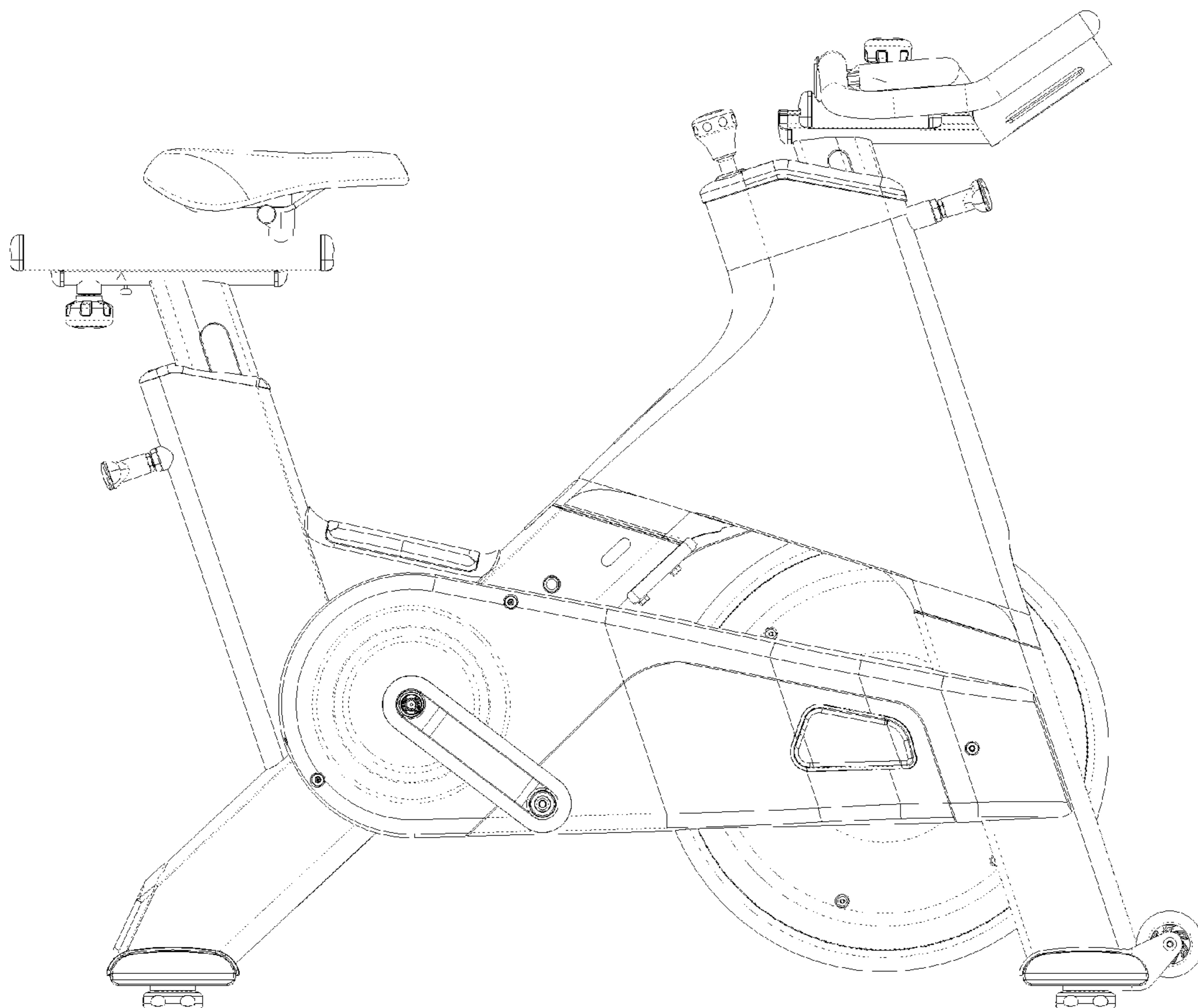


FIG. 3

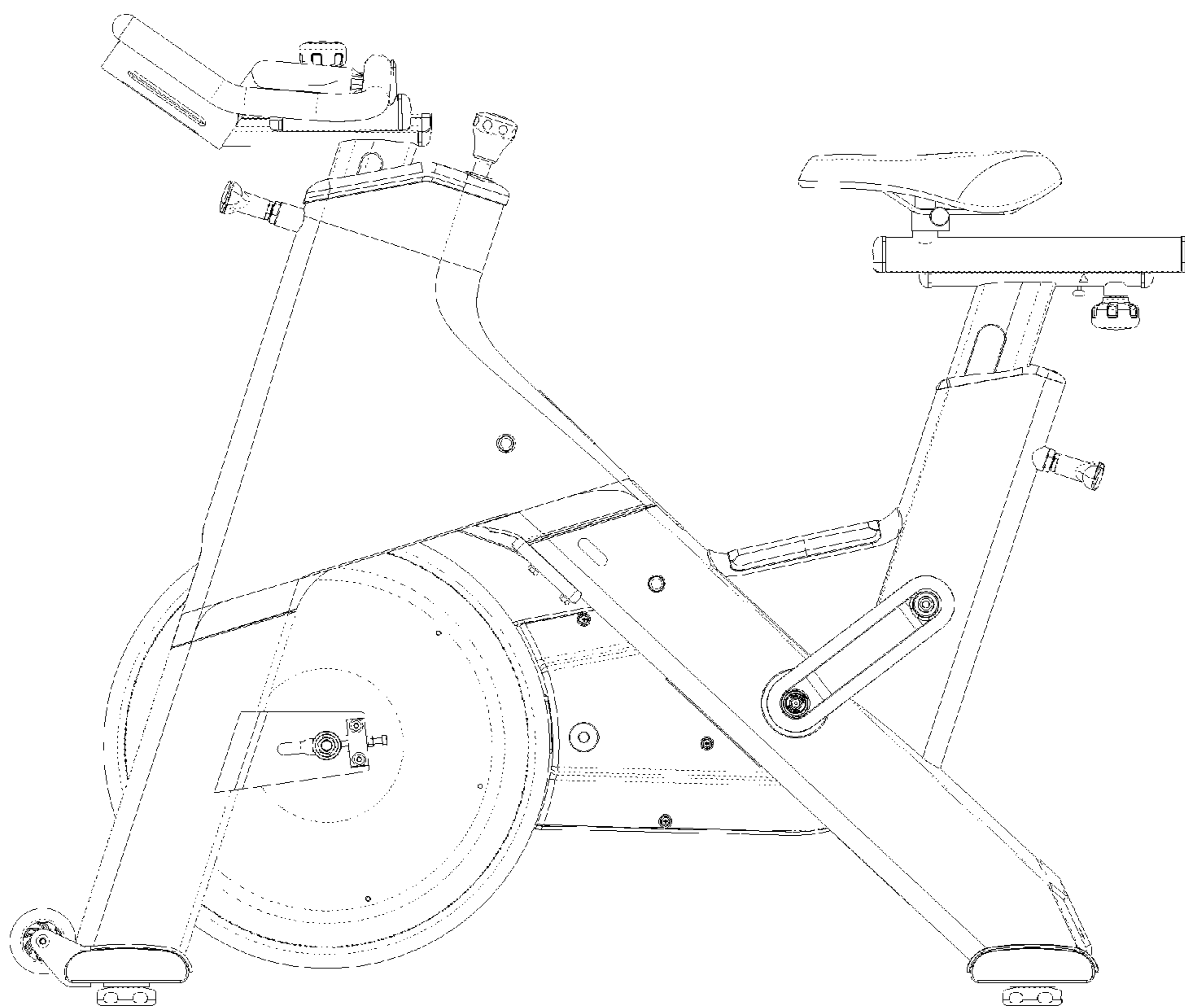


FIG. 4

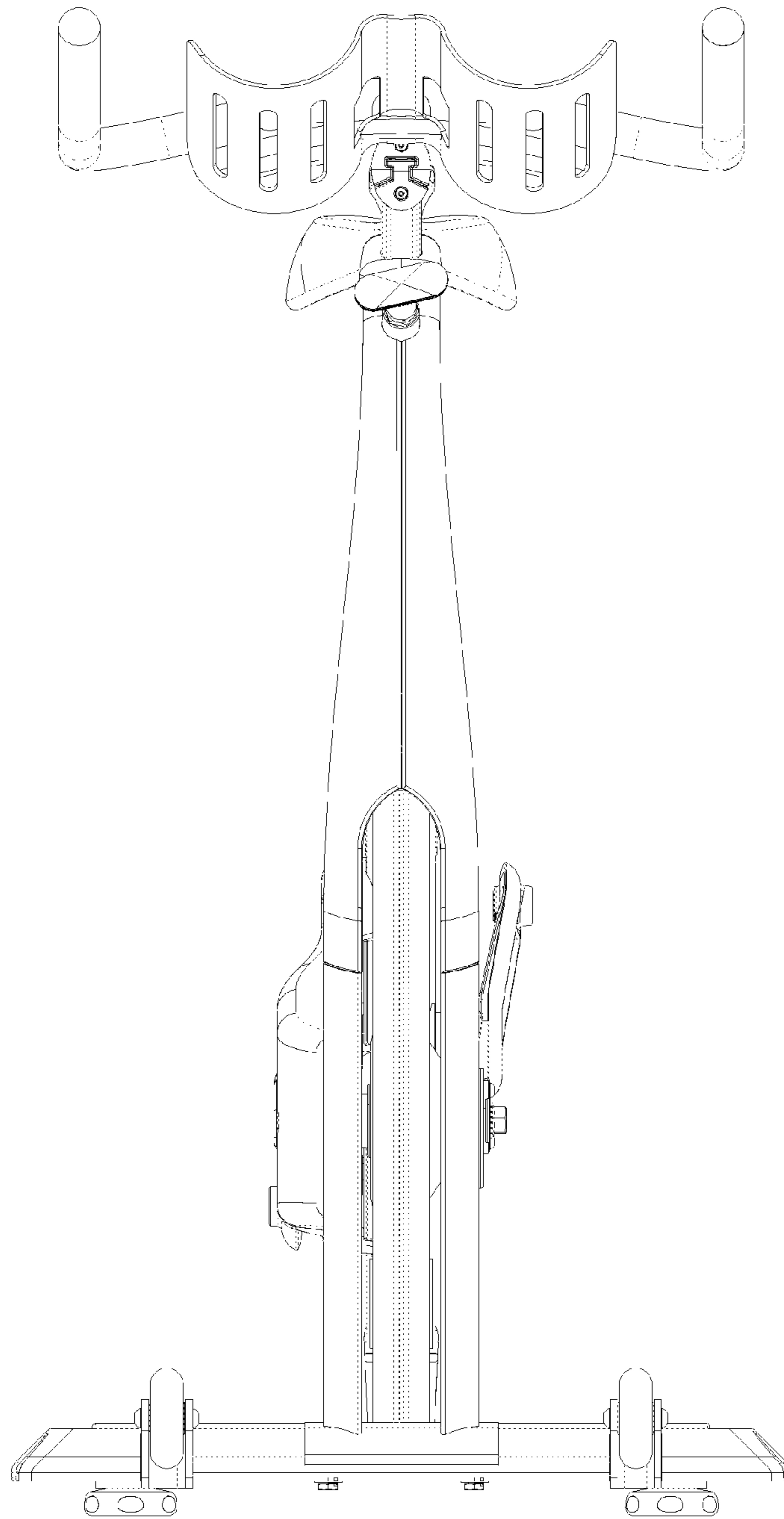


FIG. 5

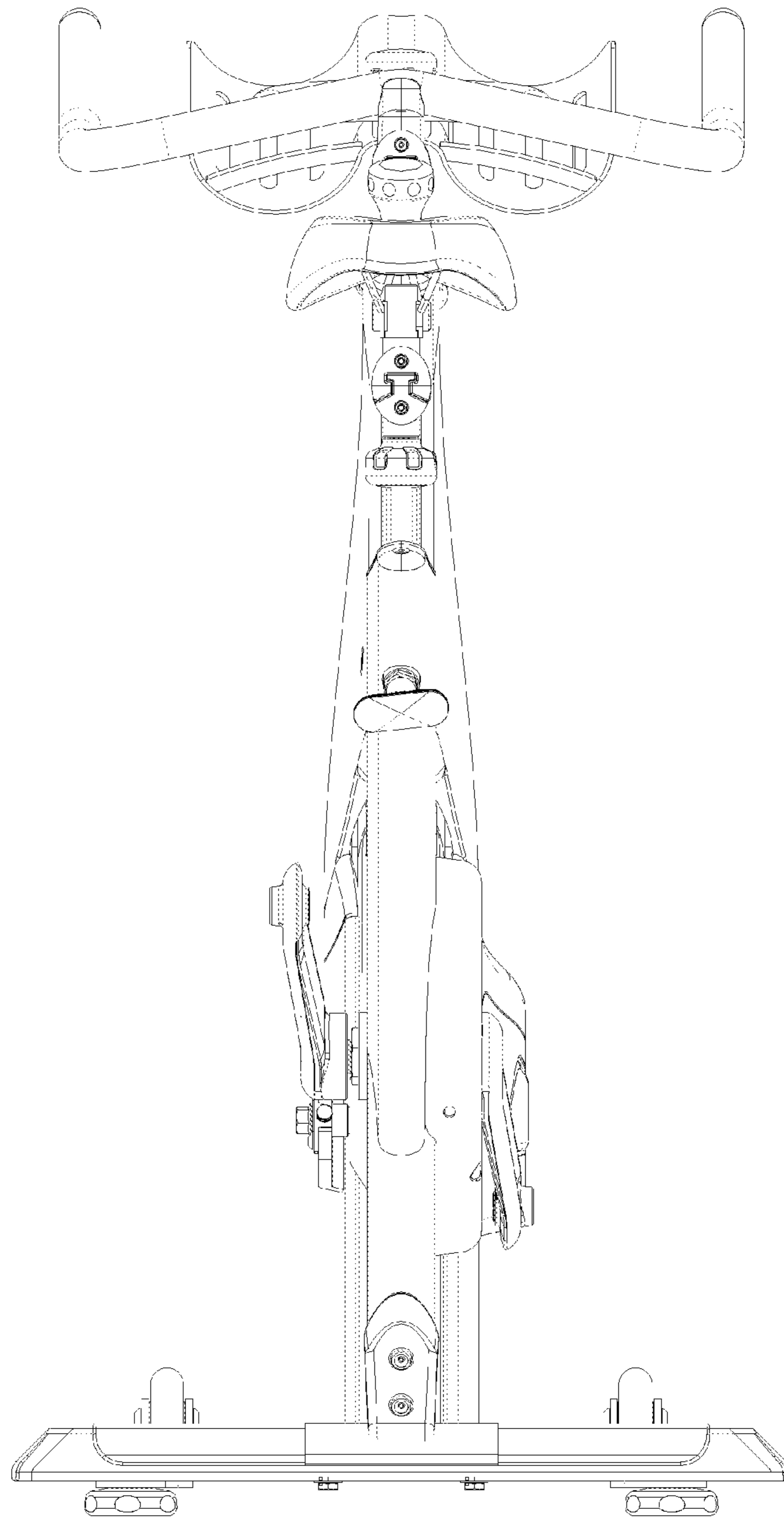


FIG. 6

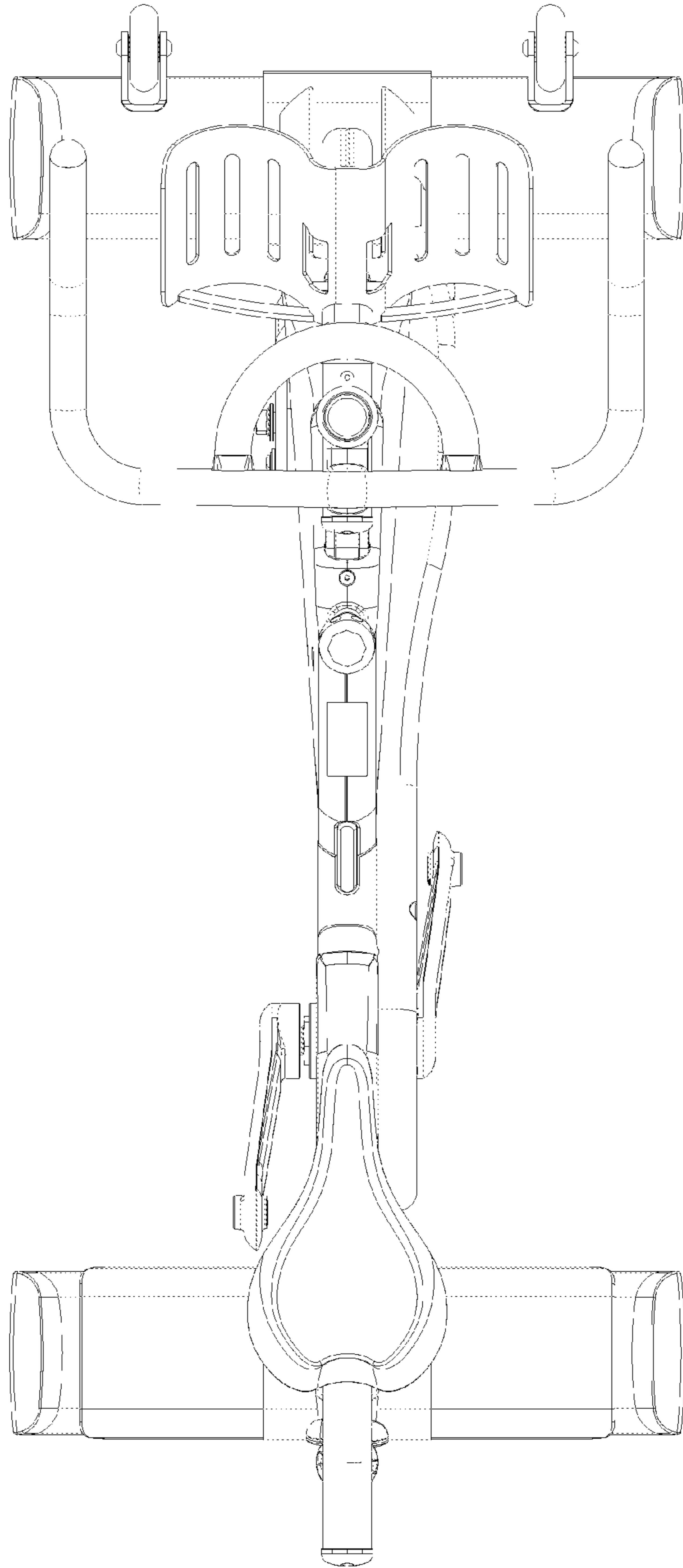


FIG. 7



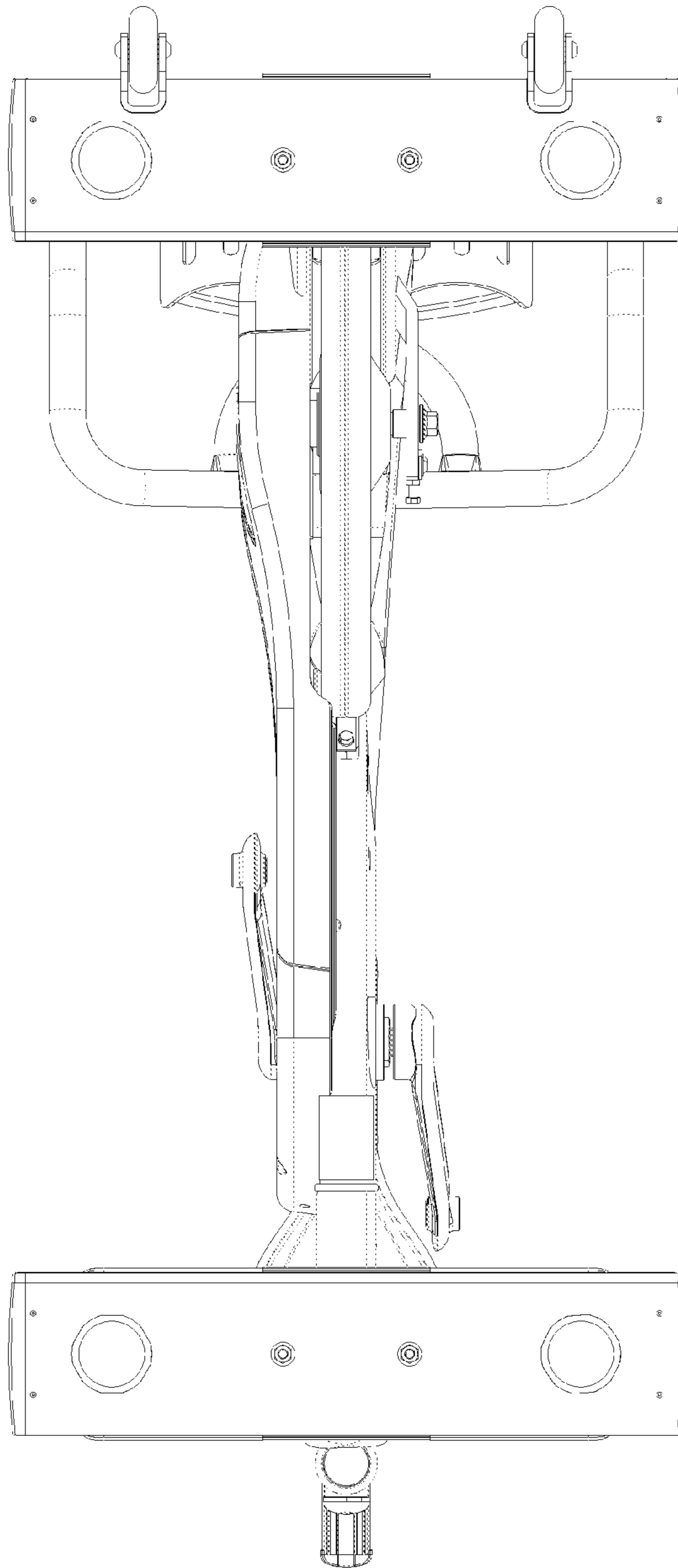


FIG. 8