



US00D682953S

(12) **United States Design Patent**  
**Mimlitch, III et al.**

(10) **Patent No.:** **US D682,953 S**

(45) **Date of Patent:** **\*\* May 21, 2013**

(54) **ROBOTIC TOY CATERPILLAR**

(71) Applicants: **Robert H. Mimlitch, III**, Rowlett, TX (US); **David Anthony Norman**, Greenville, TX (US); **Douglas Michael Galletti**, Allen, TX (US); **Gregory Needel**, Rockwall, TX (US)

(72) Inventors: **Robert H. Mimlitch, III**, Rowlett, TX (US); **David Anthony Norman**, Greenville, TX (US); **Douglas Michael Galletti**, Allen, TX (US); **Gregory Needel**, Rockwall, TX (US)

(73) Assignee: **Innovation First, Inc.**, Greenville, TX (US)

(\*\*) Term: **14 Years**

(21) Appl. No.: **29/443,230**

(22) Filed: **Jan. 15, 2013**

**Related U.S. Application Data**

(62) Division of application No. 29/413,333, filed on Feb. 14, 2012.

(51) **LOC (9) Cl.** ..... **21-01**

(52) **U.S. Cl.**  
USPC ..... **D21/650**; D21/578

(58) **Field of Classification Search**  
USPC ..... D6/598; D11/158; D21/576-578,  
D21/584-588, 650; D30/160; 446/72, 97-98,  
446/268-269

See application file for complete search history.

(56) **References Cited**

**U.S. PATENT DOCUMENTS**

D164,549 S \* 9/1951 Brice ..... D21/650  
D328,393 S \* 8/1992 Spavold ..... D21/650

D409,037 S \* 5/1999 Bear ..... D21/650  
D461,209 S \* 8/2002 Hornsby et al. .... D21/650  
D555,213 S \* 11/2007 Bowen et al. .... D21/650  
D645,526 S \* 9/2011 Norman et al. .... D21/650  
D645,914 S \* 9/2011 Norman et al. .... D21/650  
D645,915 S \* 9/2011 Norman et al. .... D21/650

\* cited by examiner

*Primary Examiner* — Sandra Morris

(74) *Attorney, Agent, or Firm* — Adam K. Sacharoff

(57) **CLAIM**

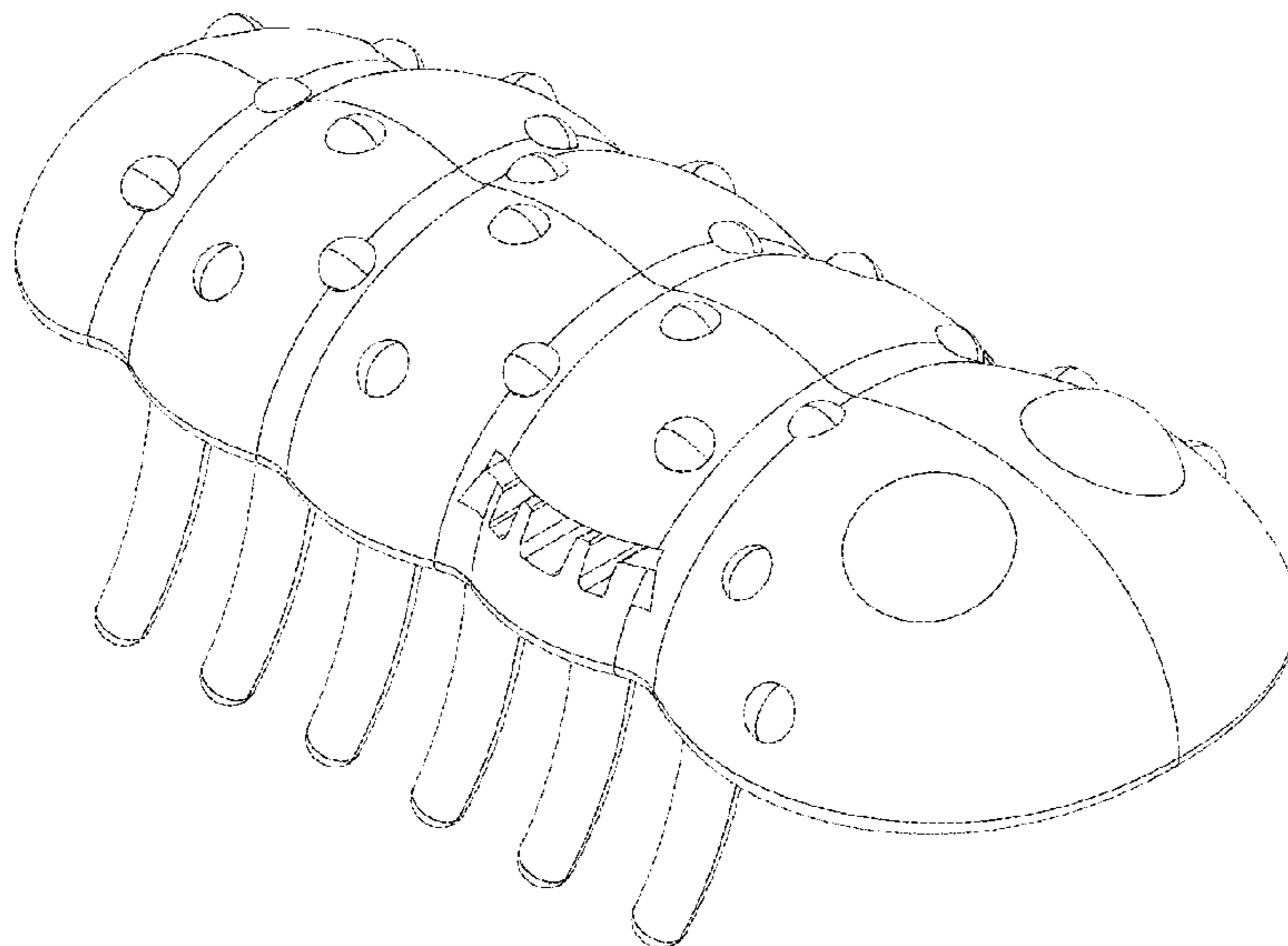
The ornamental design for a robotic toy caterpillar, as shown and described.

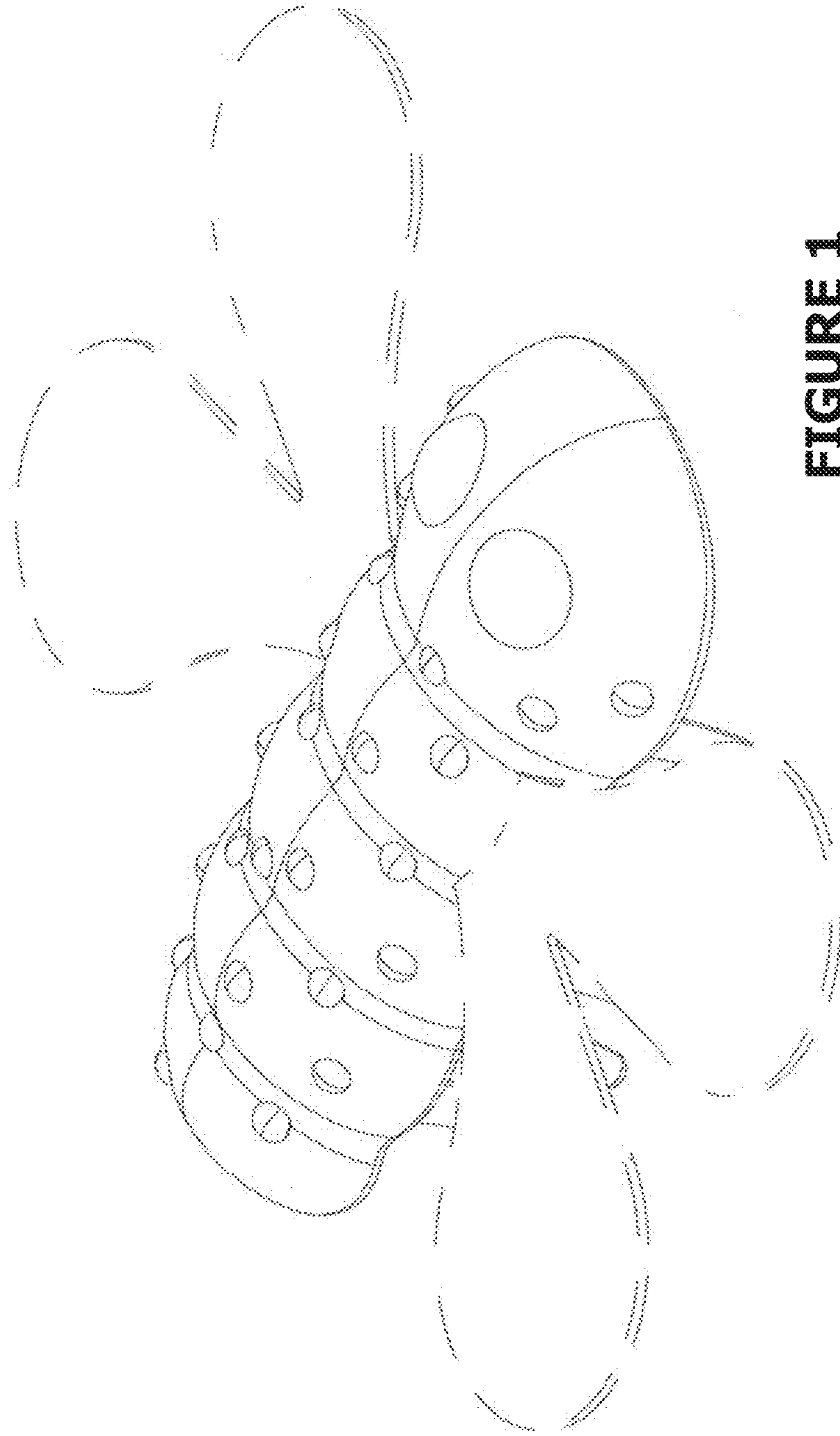
**DESCRIPTION**

FIG. 1 is a top perspective view showing a first embodiment of the robotic toy caterpillar;  
FIG. 2 is a top side view of FIG. 1;  
FIG. 3 is a bottom side view of FIG. 1;  
FIG. 4 is a front side view of FIG. 1;  
FIG. 5 is a back side view of FIG. 1;  
FIG. 6 is a left side view of FIG. 1;  
FIG. 7 is a right side view of FIG. 1;  
FIG. 8 is a bottom perspective view of FIG. 1;  
FIG. 9 is a top perspective view showing a second embodiment of the robotic toy caterpillar;  
FIG. 10 is a top side view of FIG. 9;  
FIG. 11 is a bottom side view of FIG. 9;  
FIG. 12 is a front side view of FIG. 9;  
FIG. 13 is a back side view of FIG. 9;  
FIG. 14 is a left side view of FIG. 9;  
FIG. 15 is a right side view of FIG. 9; and,  
FIG. 16 is a bottom perspective view of FIG. 9.

The broken lines are for the purpose of illustrating portions of the environmental structure and forms no part of the claimed embodiment and design.

**1 Claim, 16 Drawing Sheets**





**FIGURE 1**

FIGURE 2

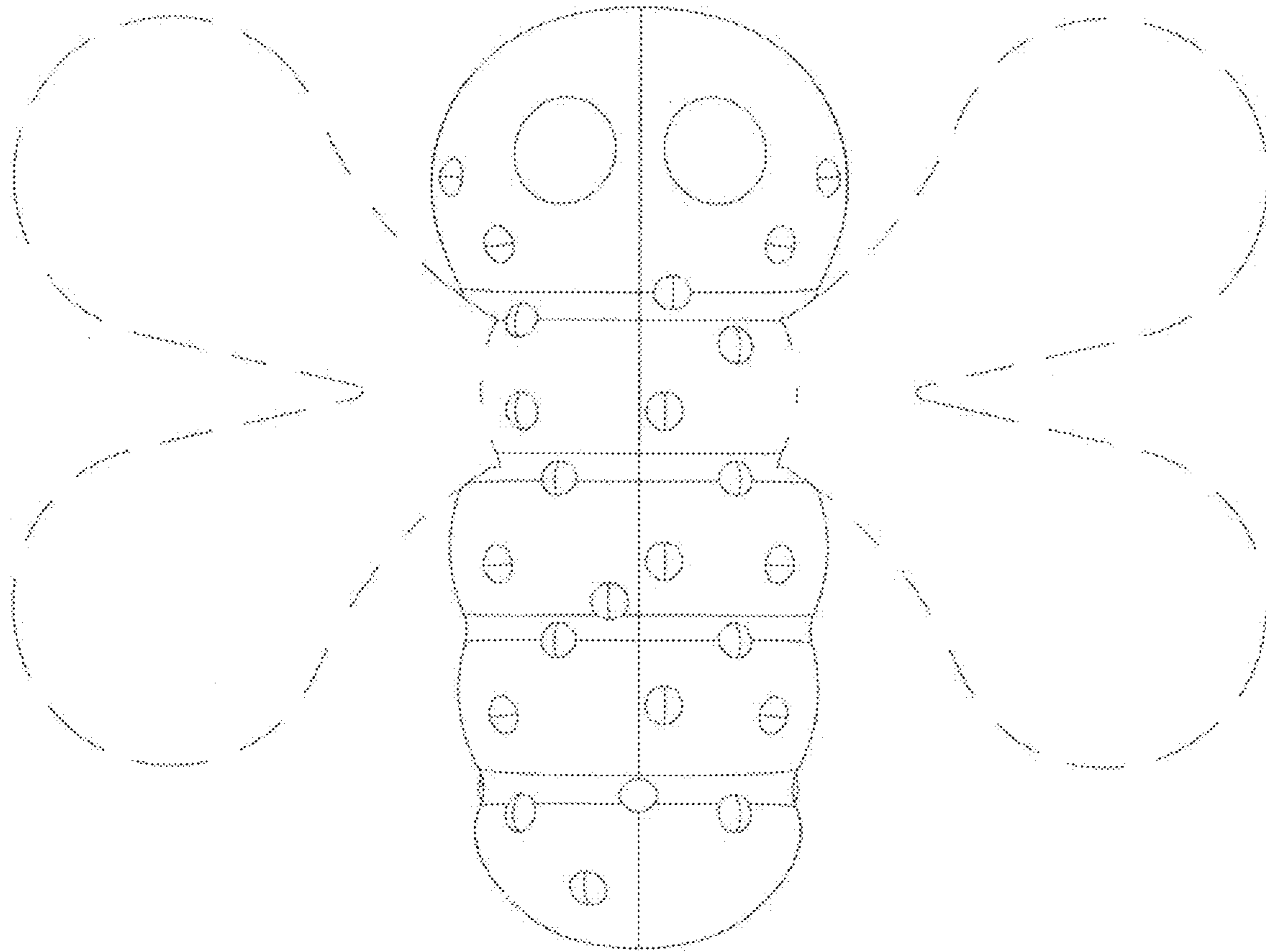
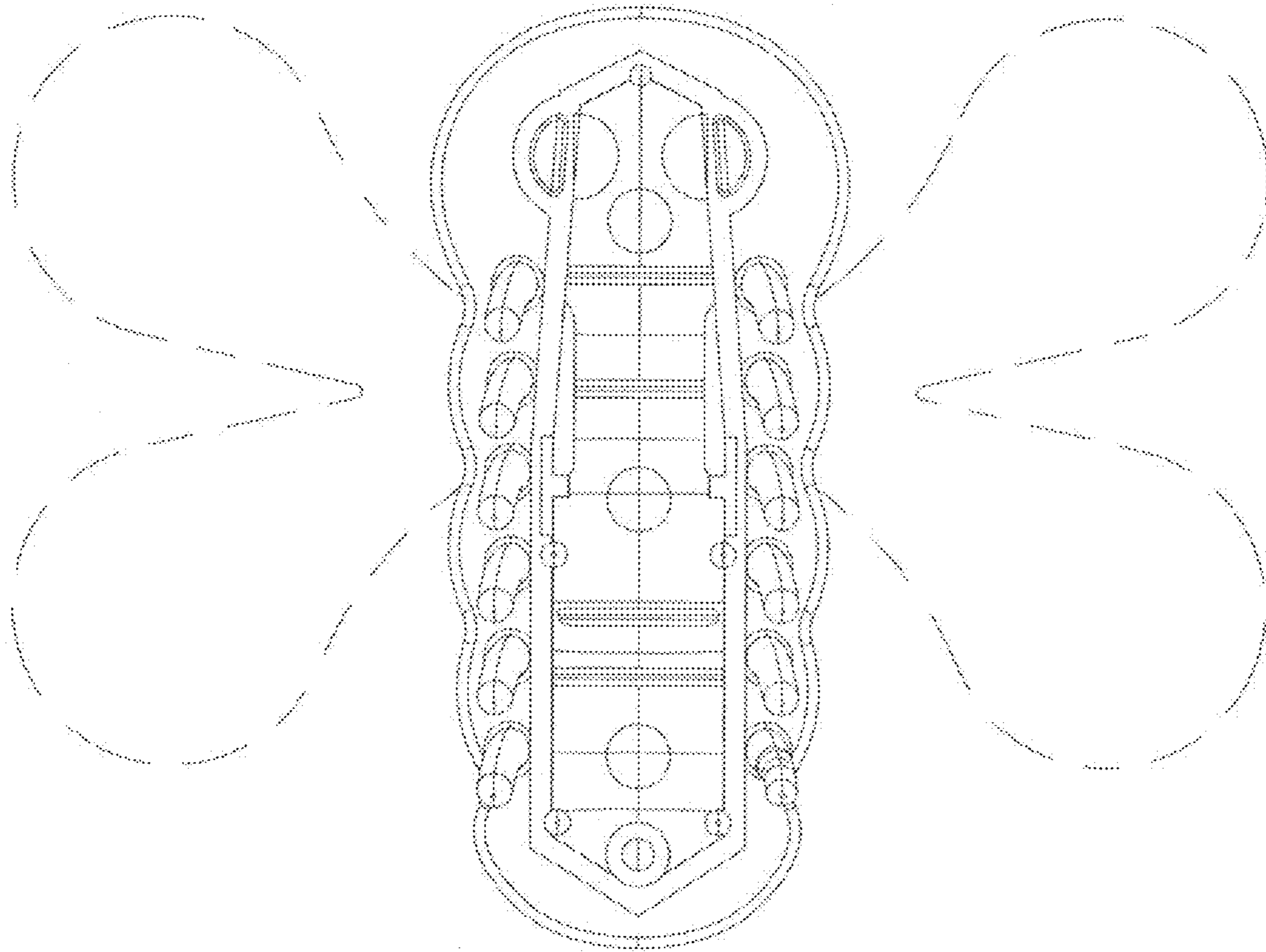
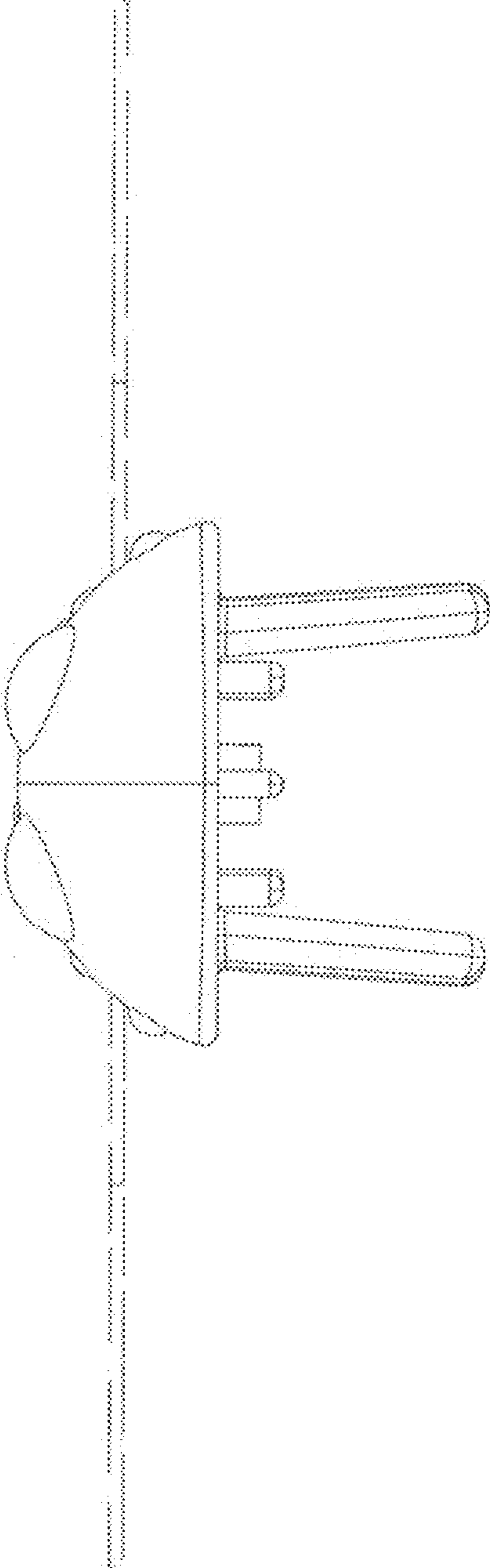


FIGURE 3





**FIGURE 4**

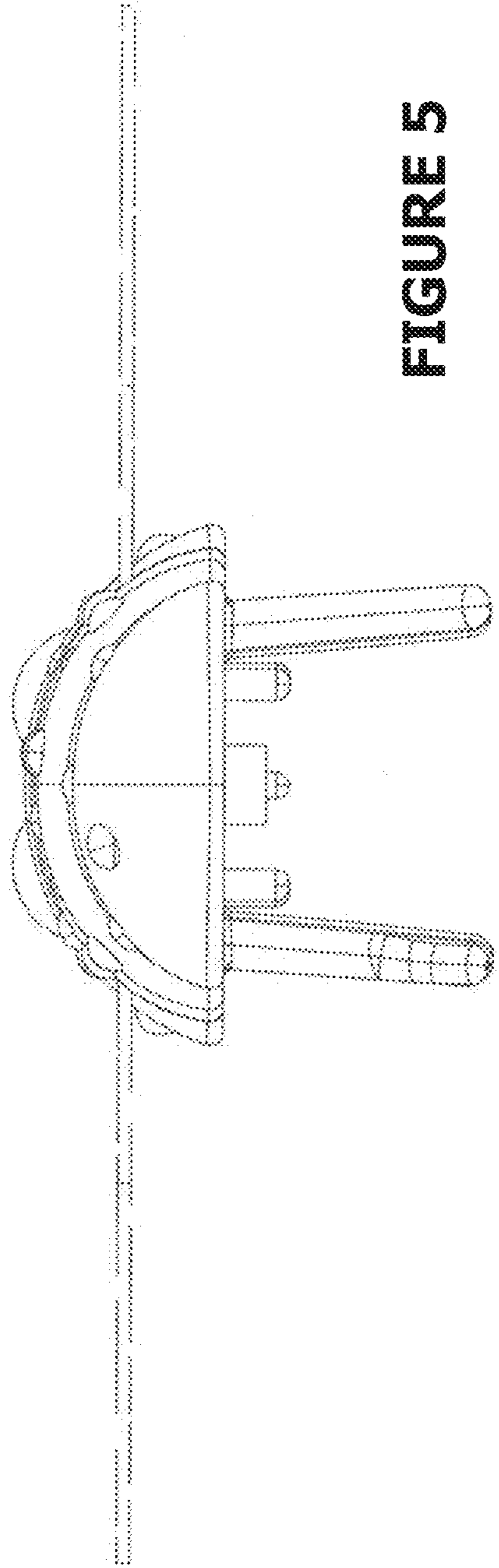
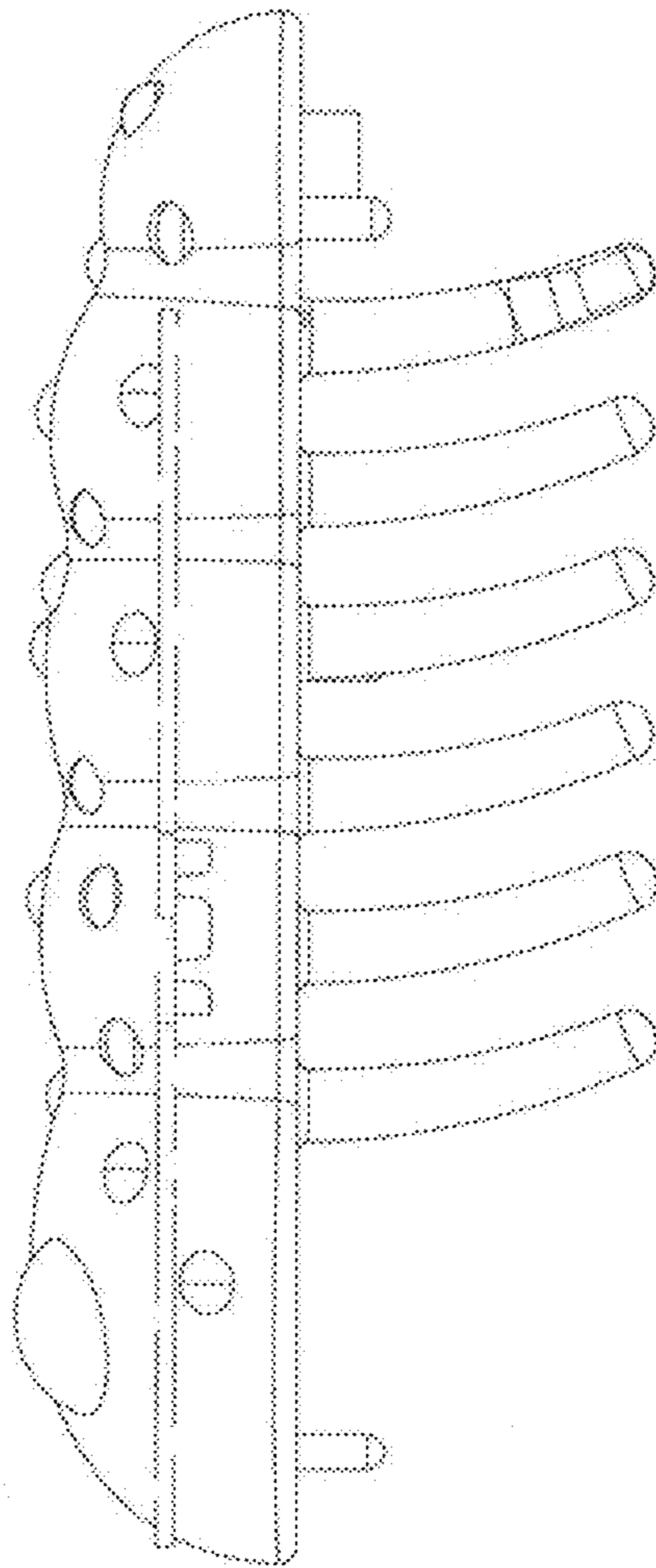


FIGURE 5



**FIGURE 6**

**FIGURE 7**

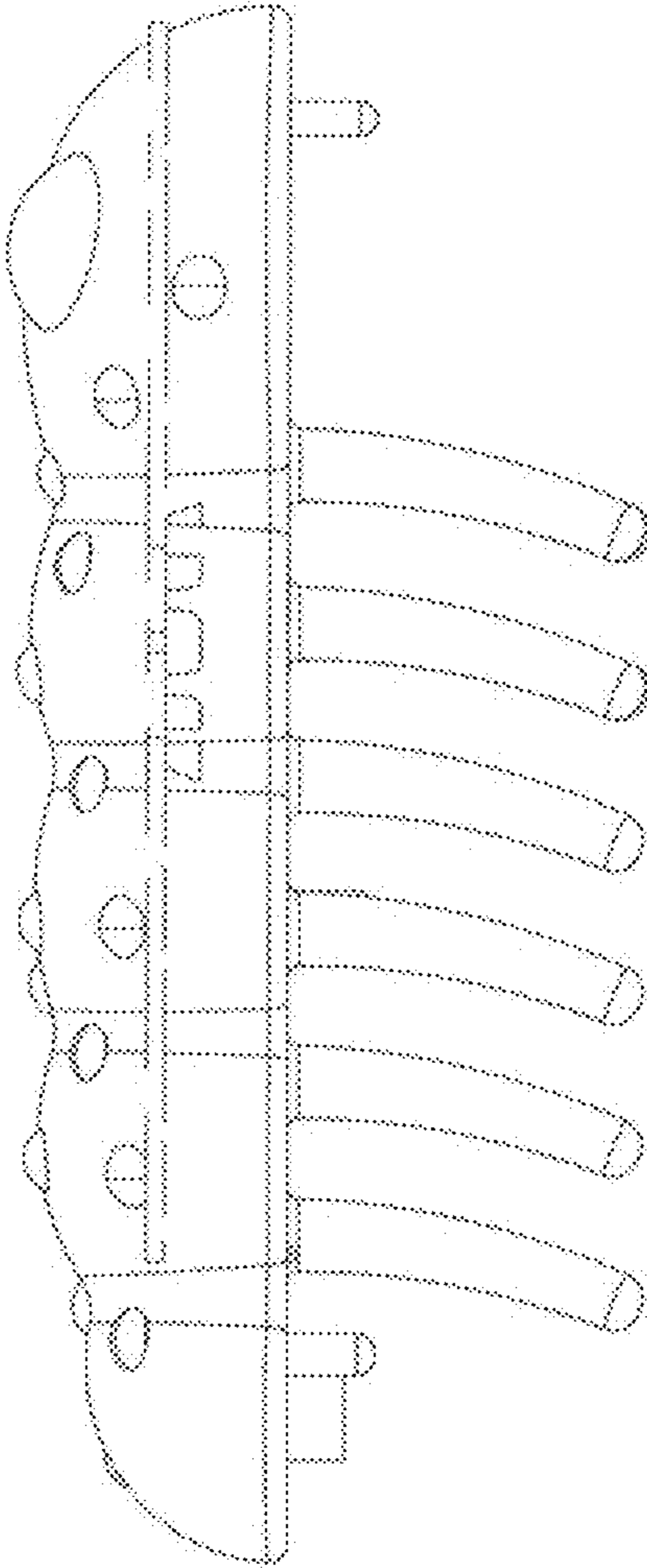
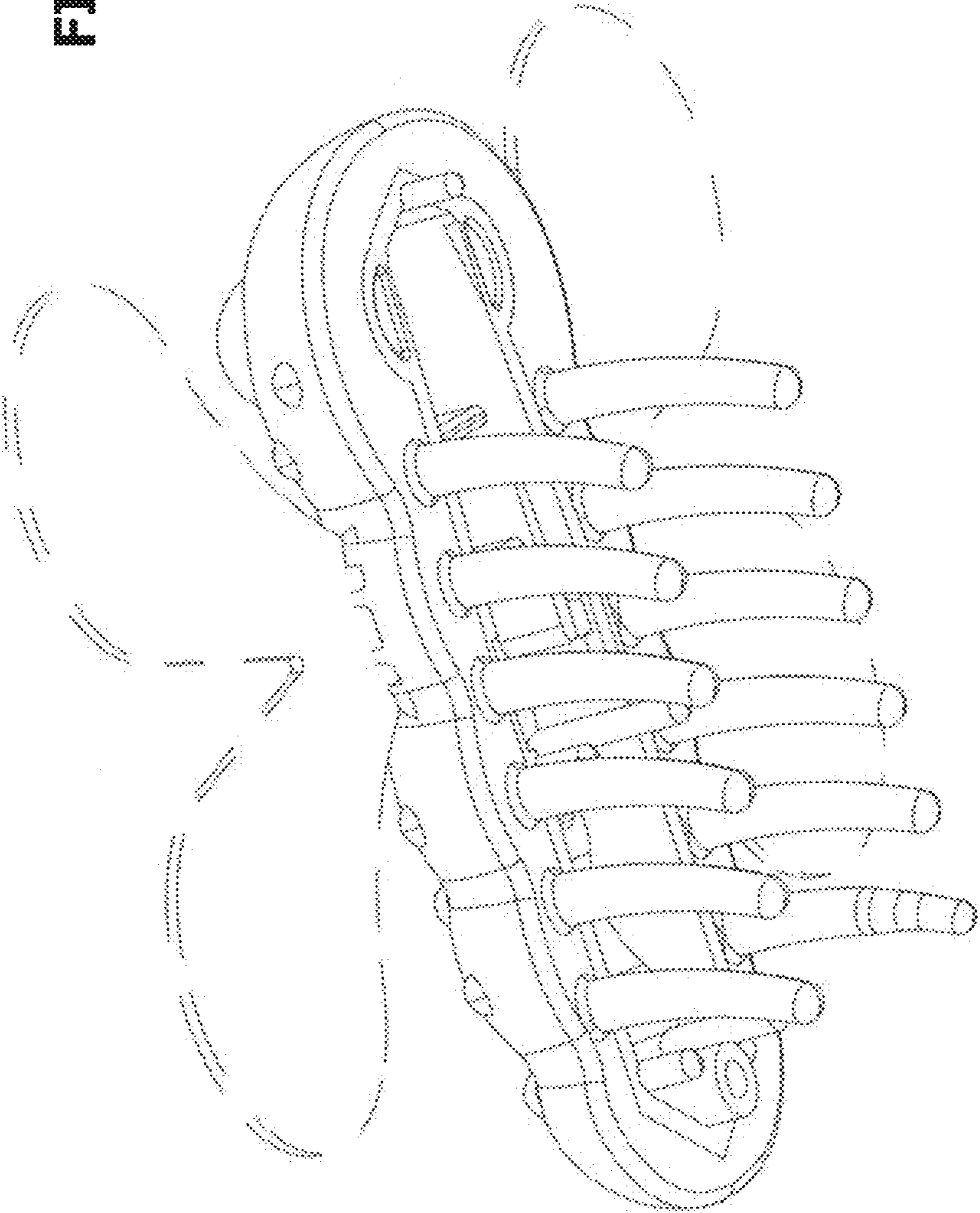




FIGURE 8



**FIGURE 9**

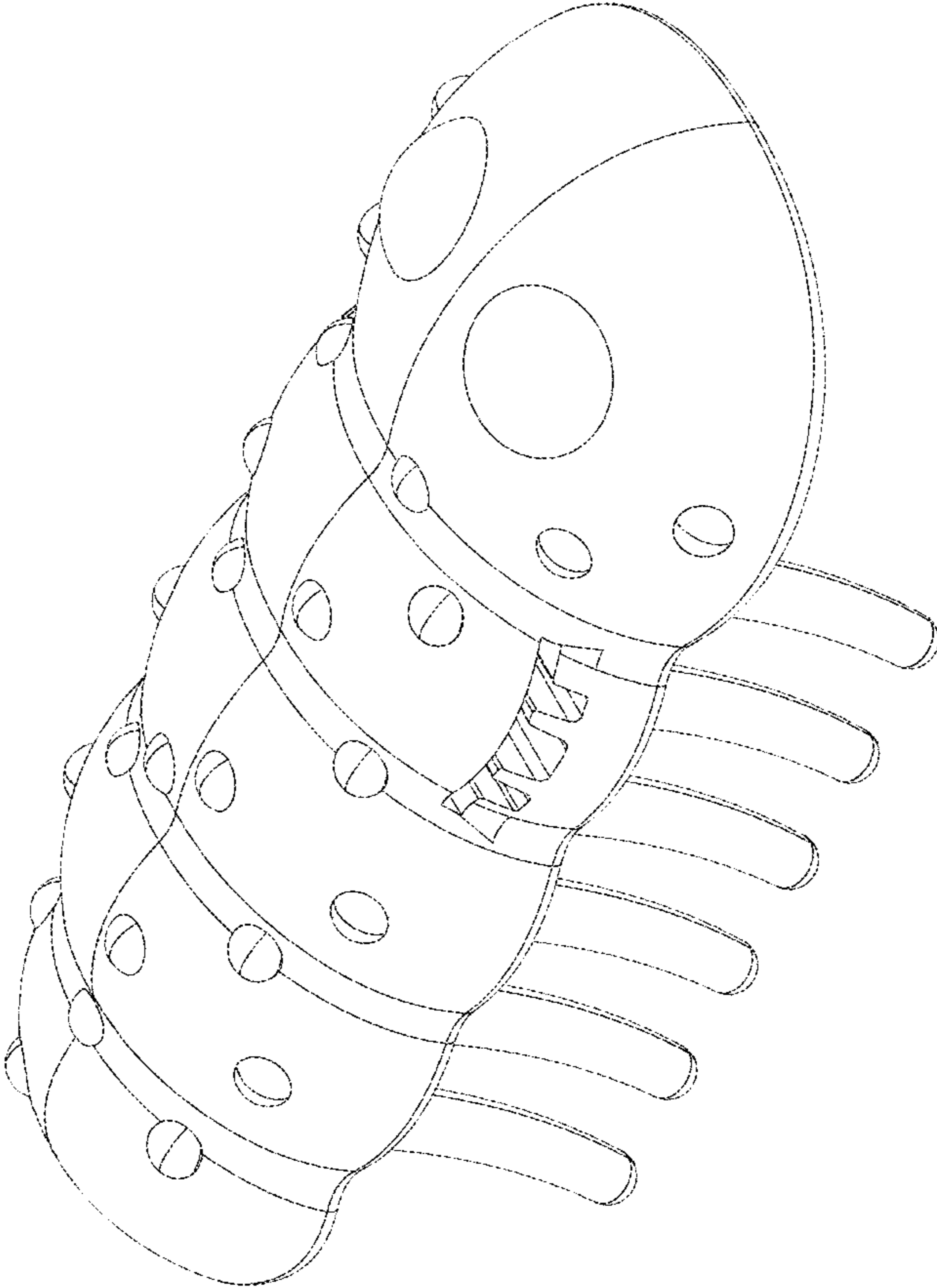
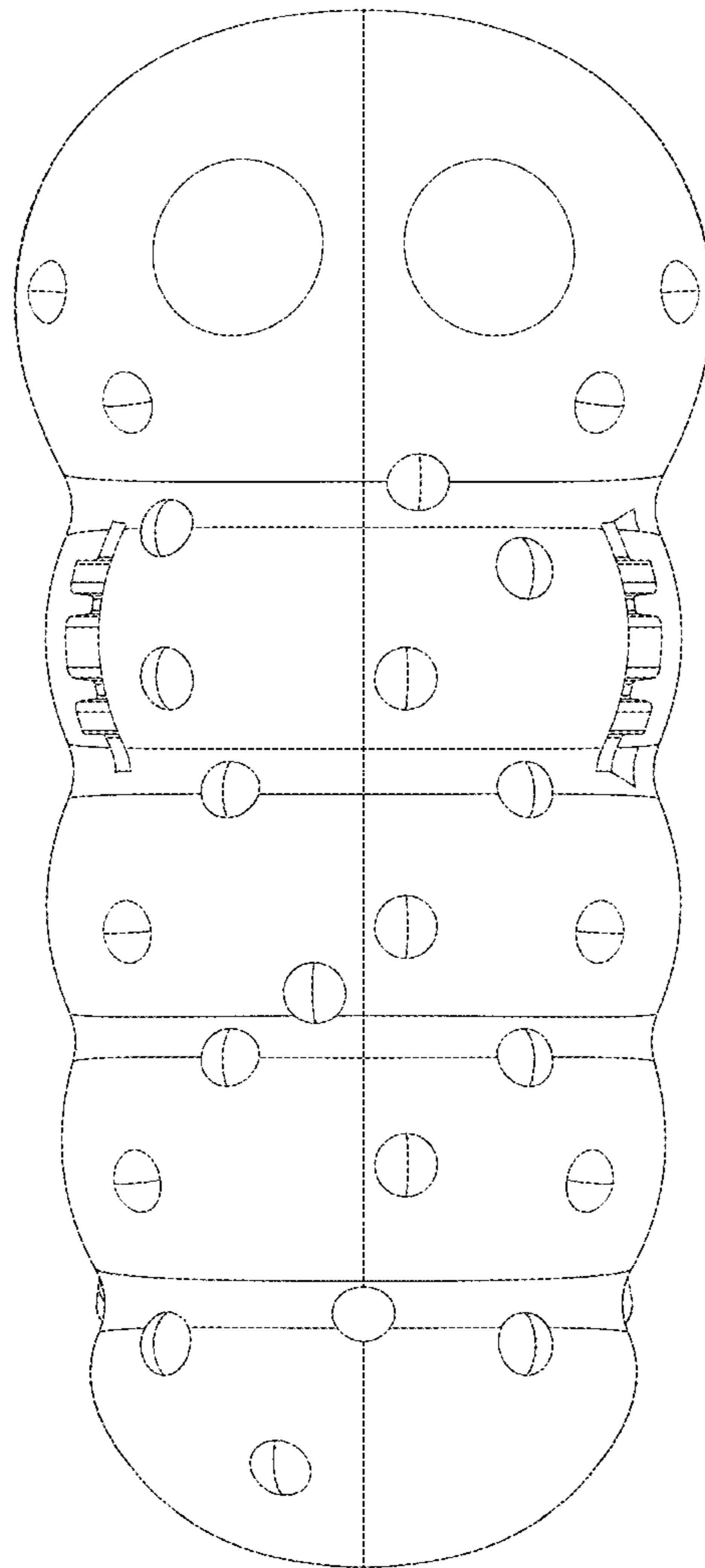
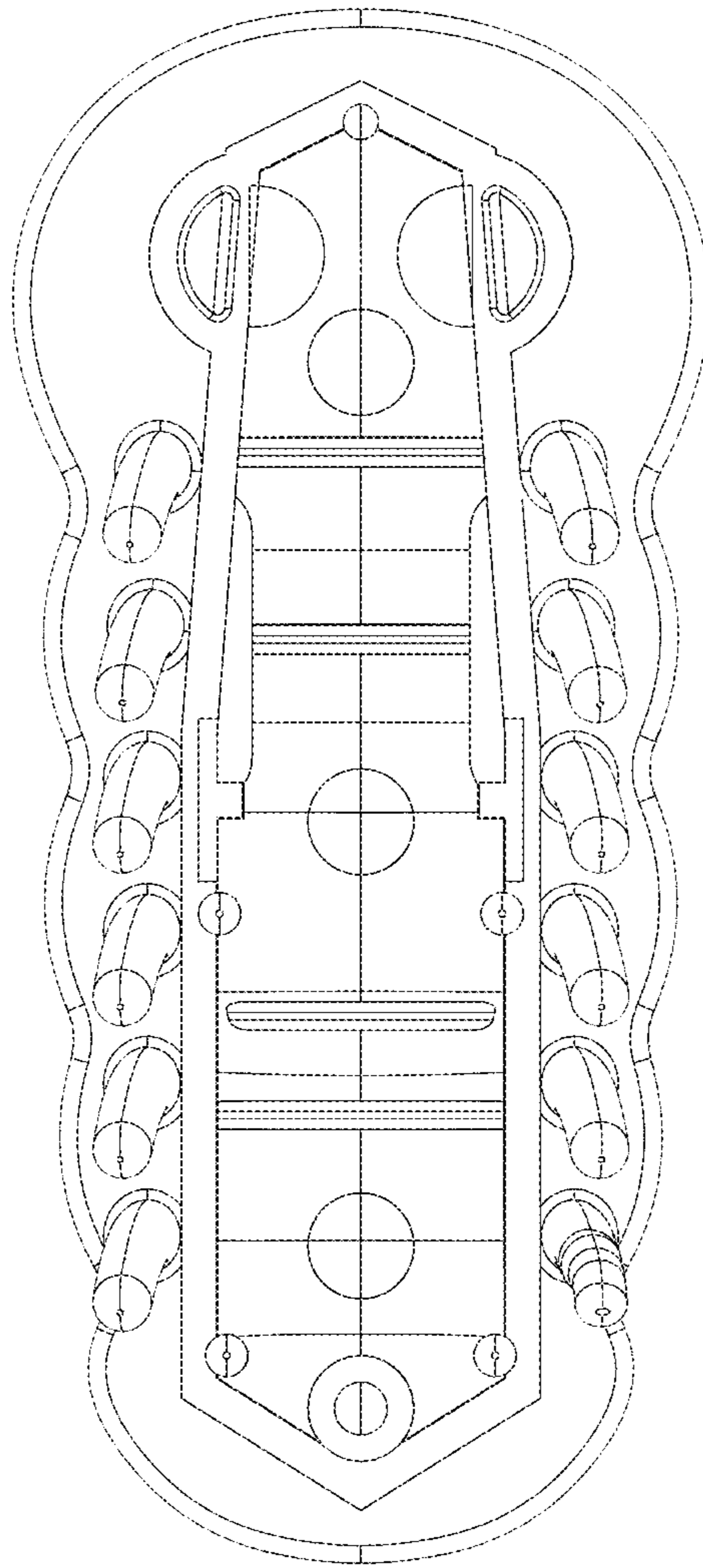


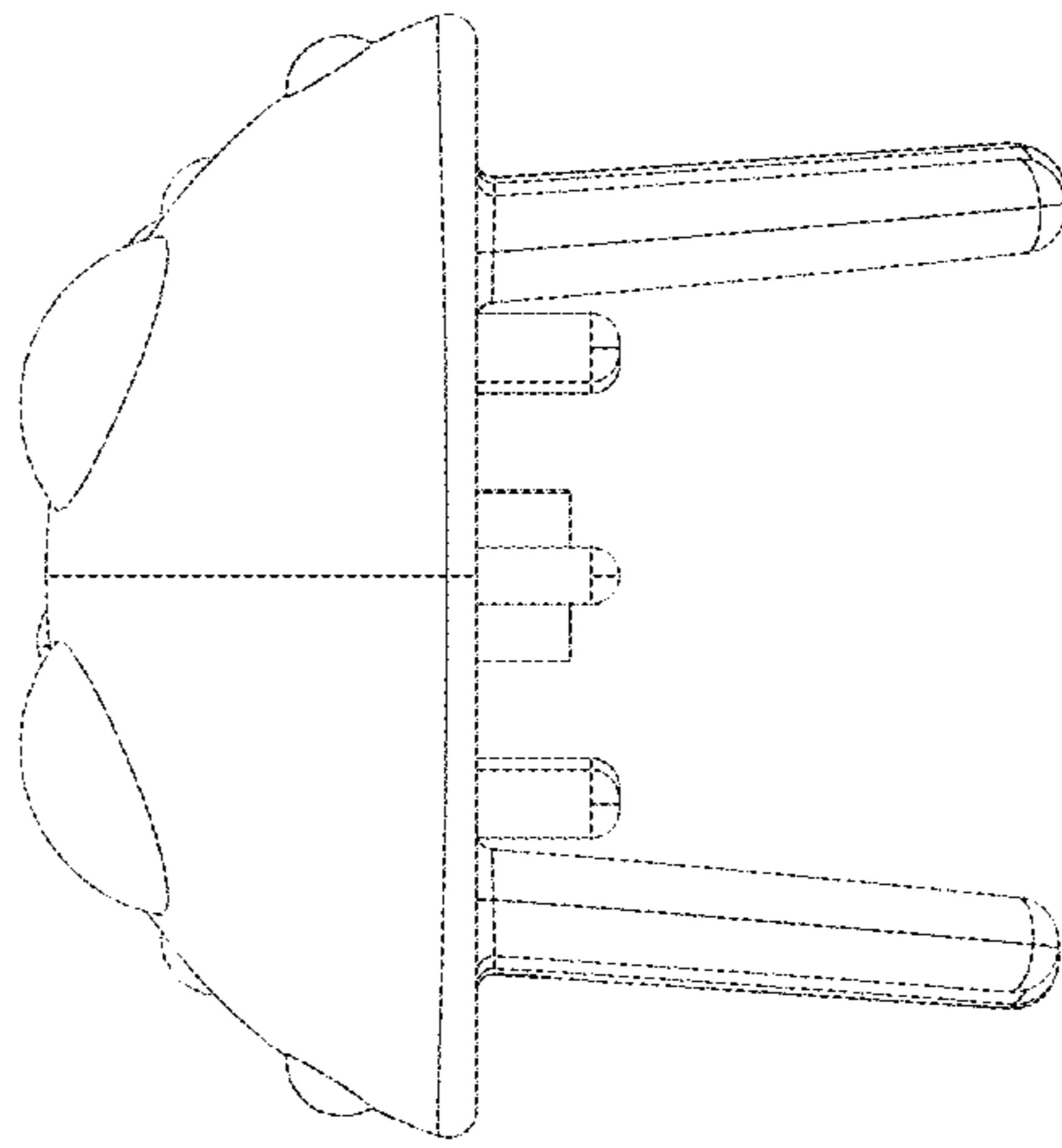
FIGURE 10



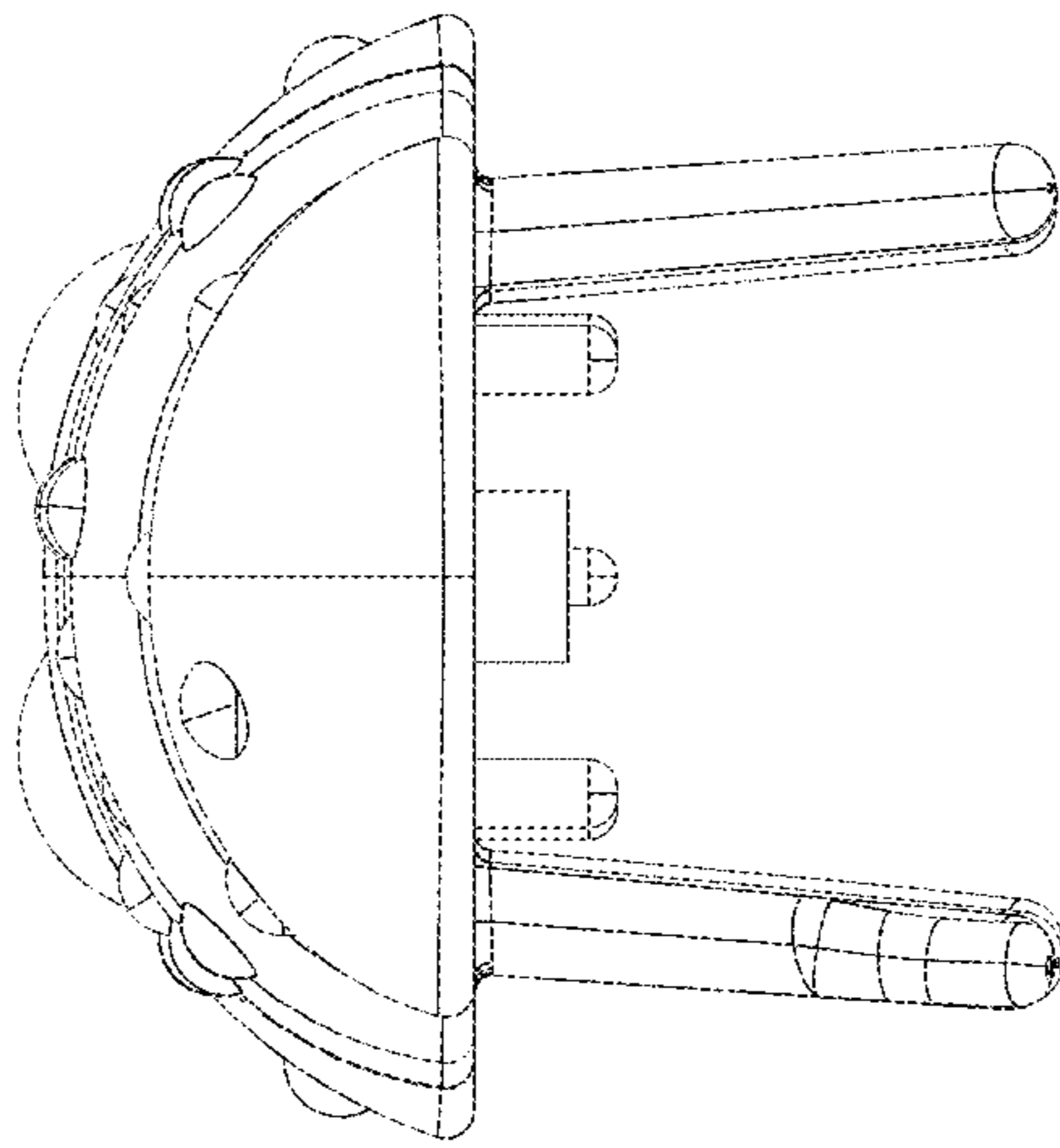
**FIGURE 11**



**FIGURE 12**



**FIGURE 13**



**FIGURE 14**

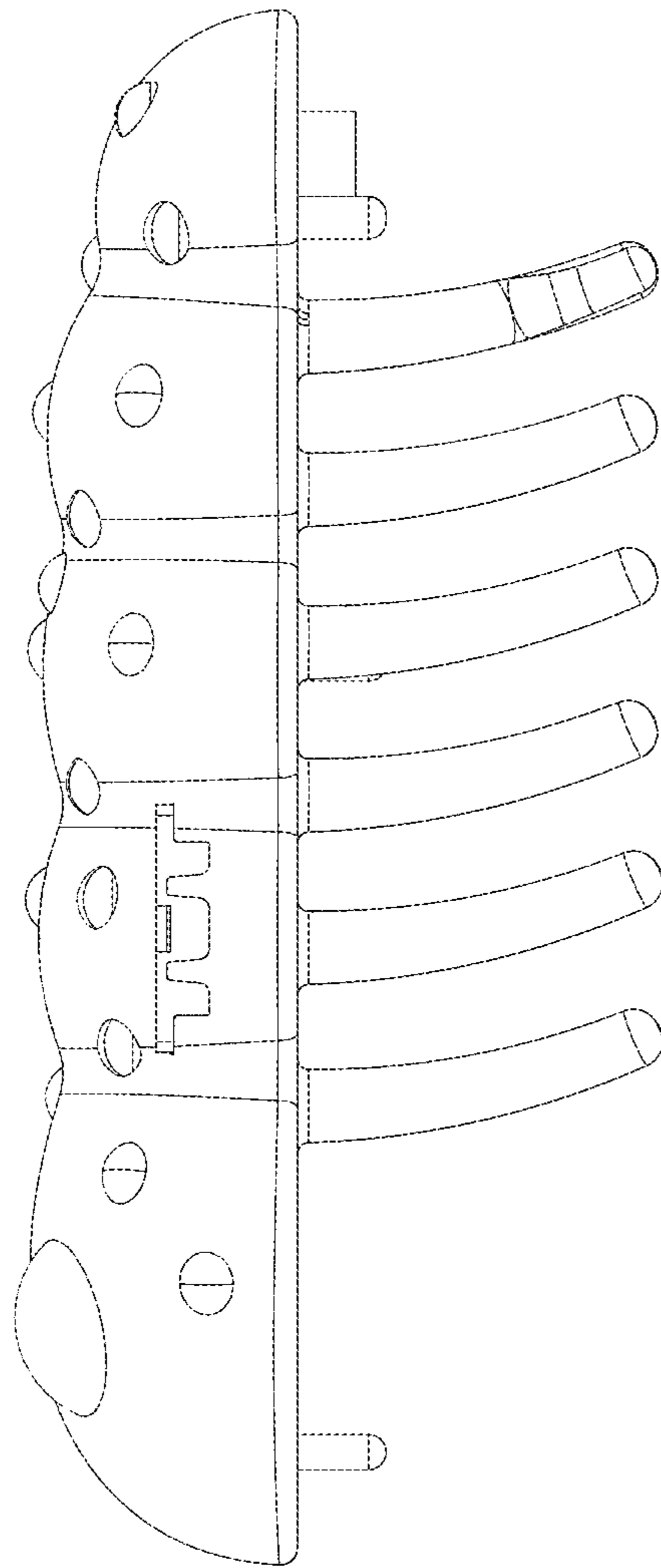


FIGURE 15

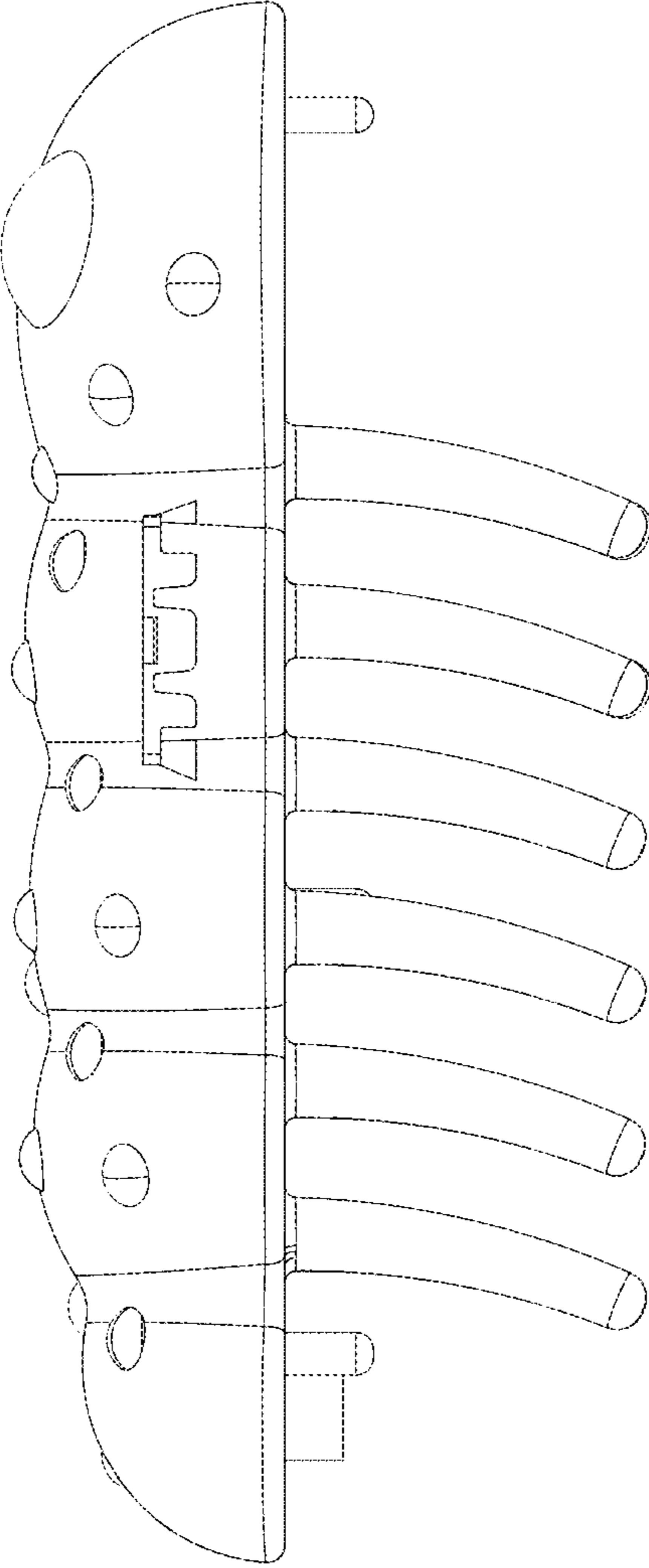




FIGURE 16

