



US00D682944S

(12) **United States Design Patent**
Lueken

(10) **Patent No.:** **US D682,944 S**

(45) **Date of Patent:** **** May 21, 2013**

(54) **PAIR OF ADVERTISING PANELS AFFIXED TO THE ENTRY PORTION OF A SHOPPING CART CORRAL**

(75) Inventor: **Harold Lueken**, New York, NY (US)

(73) Assignee: **Starlite Media, LLC**, New York, NY (US)

(**) Term: **14 Years**

(21) Appl. No.: **29/427,246**

(22) Filed: **Jul. 16, 2012**

4,884,353	A *	12/1989	Taylor	40/611.01
5,626,926	A *	5/1997	Roberts	428/14
5,875,578	A *	3/1999	Grewe	40/608
5,878,518	A *	3/1999	Grewe	40/606.02
6,298,997	B1 *	10/2001	Jarrett et al.	211/17
D587,761	S *	3/2009	Grimshaw	D20/41
D615,129	S *	5/2010	Allen	D20/19
D620,531	S *	7/2010	Allen	D20/19
7,895,782	B2 *	3/2011	Farrell	40/575
D653,709	S *	2/2012	Allen	D20/39
8,205,757	B2 *	6/2012	Allen	211/17
D663,779	S *	7/2012	Lueken	D20/19
D667,504	S *	9/2012	Allen	D20/19
2004/0079934	A1 *	4/2004	Hempfen et al.	256/59
2008/0120877	A1 *	5/2008	Farrell	40/564
2010/0327245	A1 *	12/2010	Allen	256/25

* cited by examiner

Related U.S. Application Data

(63) Continuation of application No. 29/399,024, filed on Aug. 8, 2011, now Pat. No. Des. 663,779, which is a continuation-in-part of application No. 29/357,739, filed on Mar. 16, 2010, now abandoned.

(51) **LOC (9) Cl.** **20-03**

(52) **U.S. Cl.**
USPC **D20/19**

(58) **Field of Classification Search** D20/10,
D20/17-19, 29, 39, 41, 43, 99; 40/446, 448,
40/538, 541, 543, 544, 564, 568, 575, 584,
40/585, 588, 591, 600, 611.01, 612, 616,
40/617; D10/109.1, 109.2; 211/17

See application file for complete search history.

(56) **References Cited**

U.S. PATENT DOCUMENTS

D31,832	S *	11/1899	Marcus	D20/40
2,165,724	A *	7/1939	Page et al.	40/606.09
4,292,352	A *	9/1981	Singer	428/14
D269,978	S *	8/1983	Dickson	D20/19
4,609,183	A *	9/1986	Ulmer	256/1

Primary Examiner — Mary Ann Calabrese

(74) *Attorney, Agent, or Firm* — Bryan Cave LLP

(57) **CLAIM**

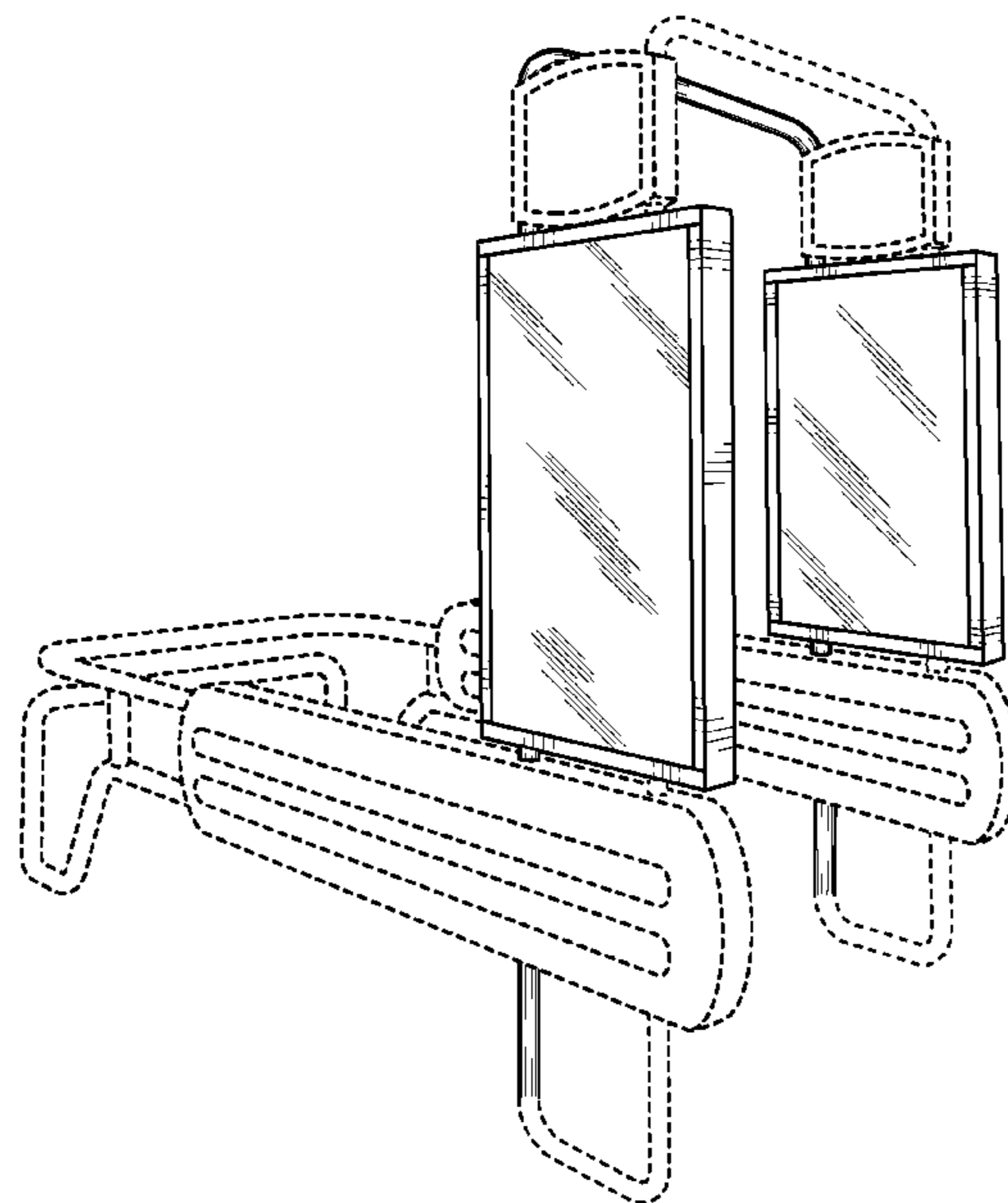
The ornamental design for pair of advertising panels affixed to the entry portion of a shopping cart corral, as shown and described.

DESCRIPTION

FIG. 1 is a perspective view of the pair of advertising panels affixed to the entry portion of a shopping cart corral; FIG. 2 is a right side view thereof; FIG. 3 is a left side view thereof; FIG. 4 is a front view thereof; FIG. 5 is a rear view thereof; and, FIG. 6 is a top view thereof.

The broken line showings of the shopping cart corral in FIGS. 1-6 are for the purpose of illustrating an environment only and form no part of the claimed design.

1 Claim, 6 Drawing Sheets



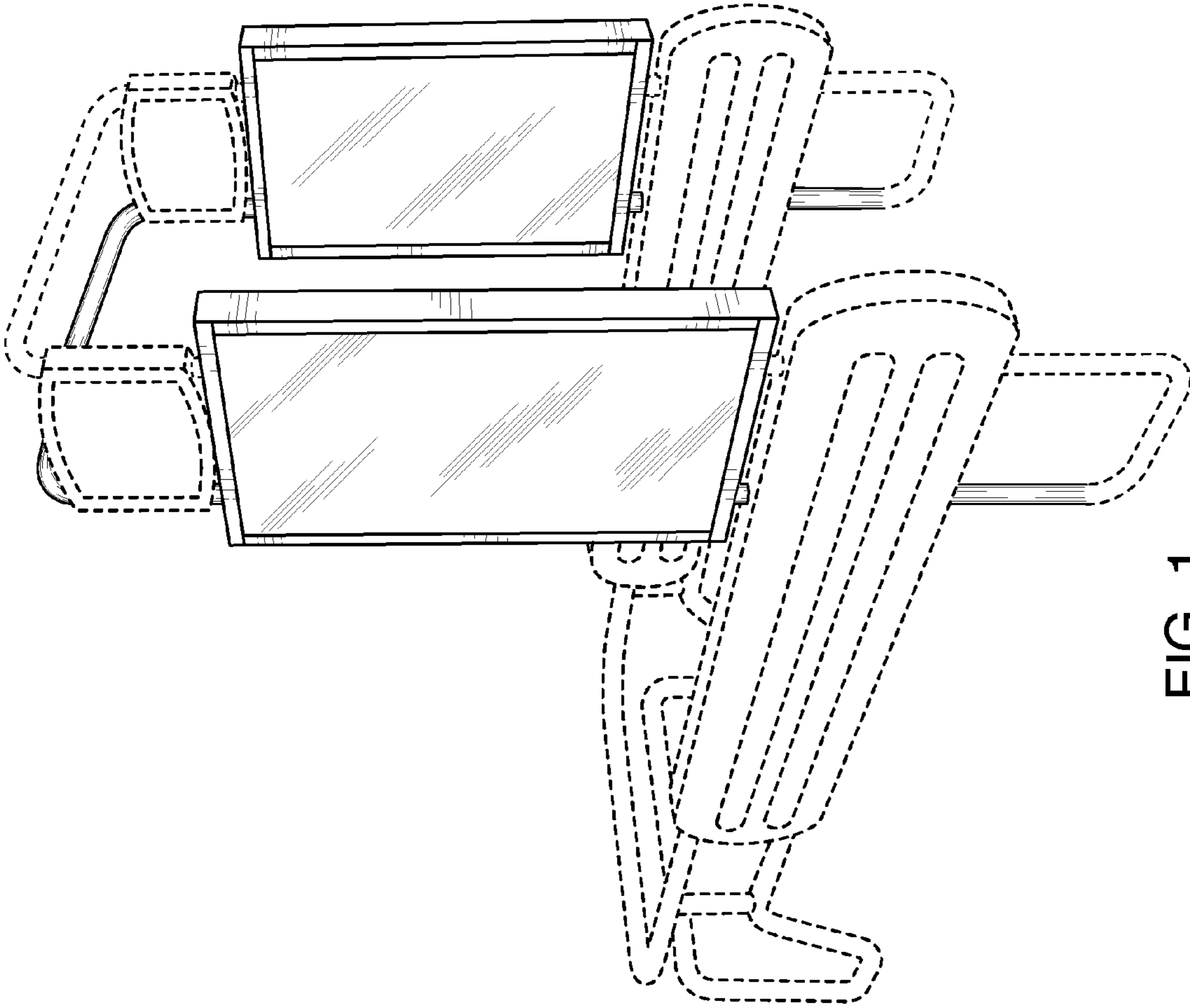


FIG. 1

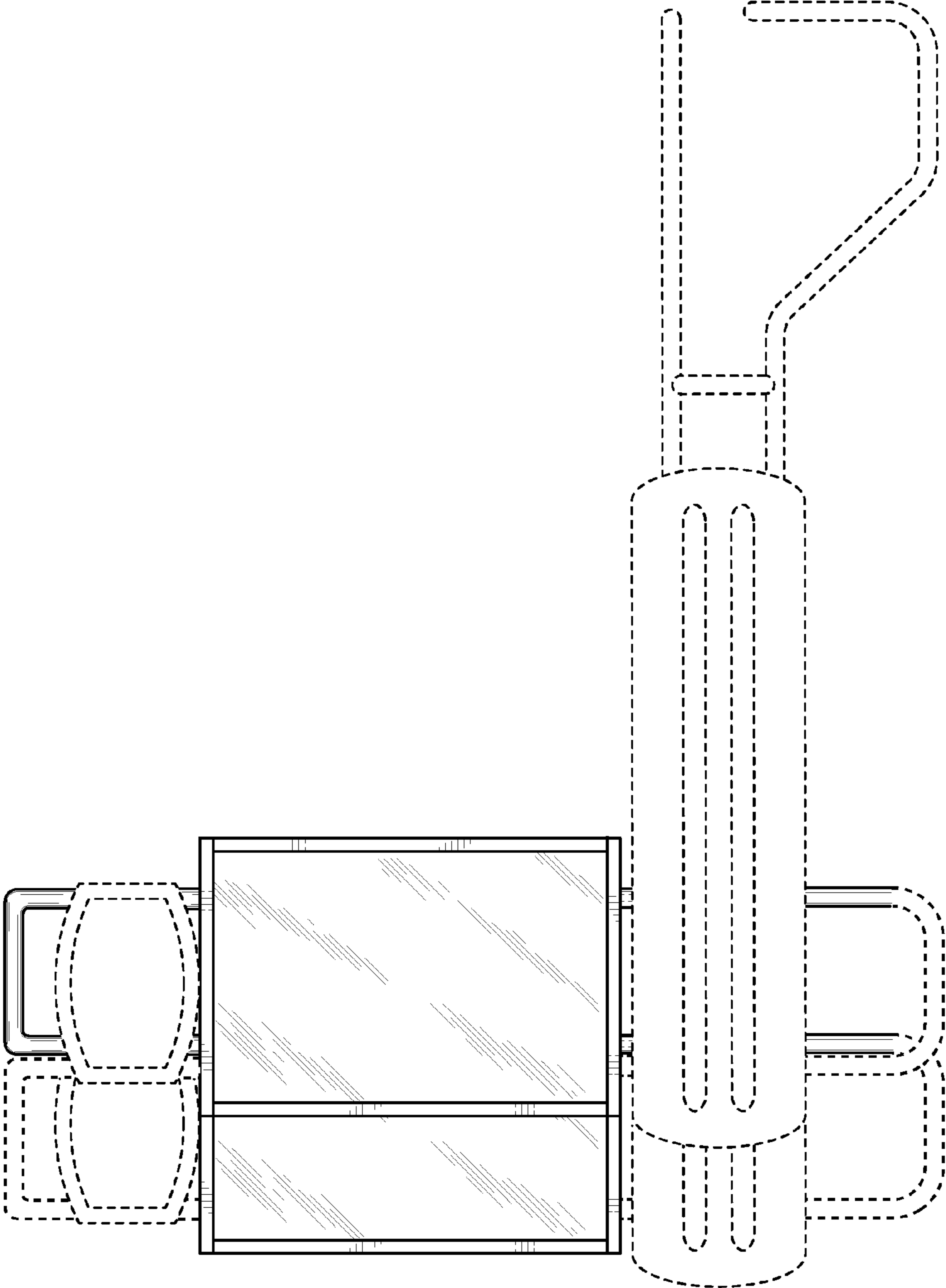


FIG. 2

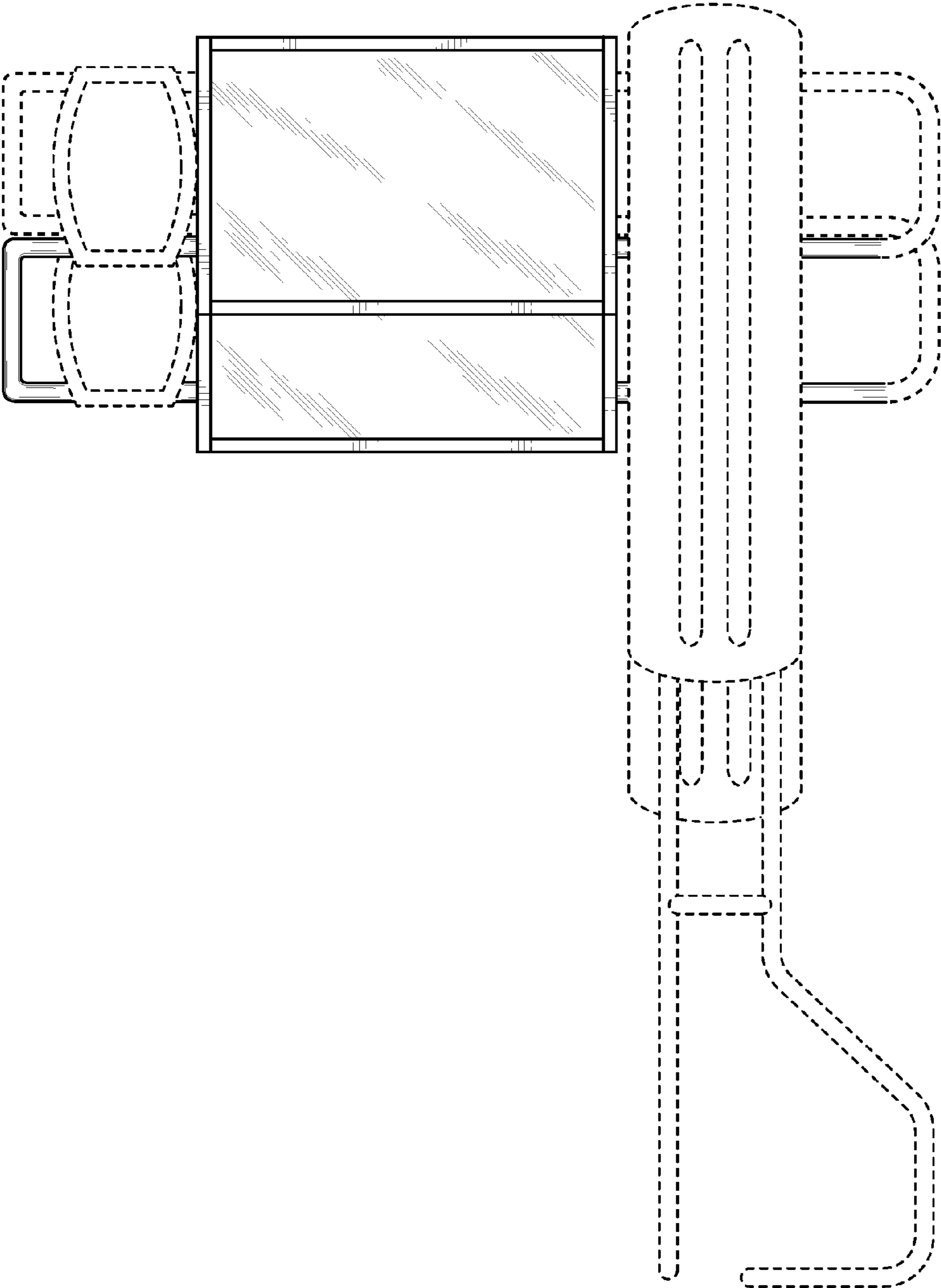


FIG. 3

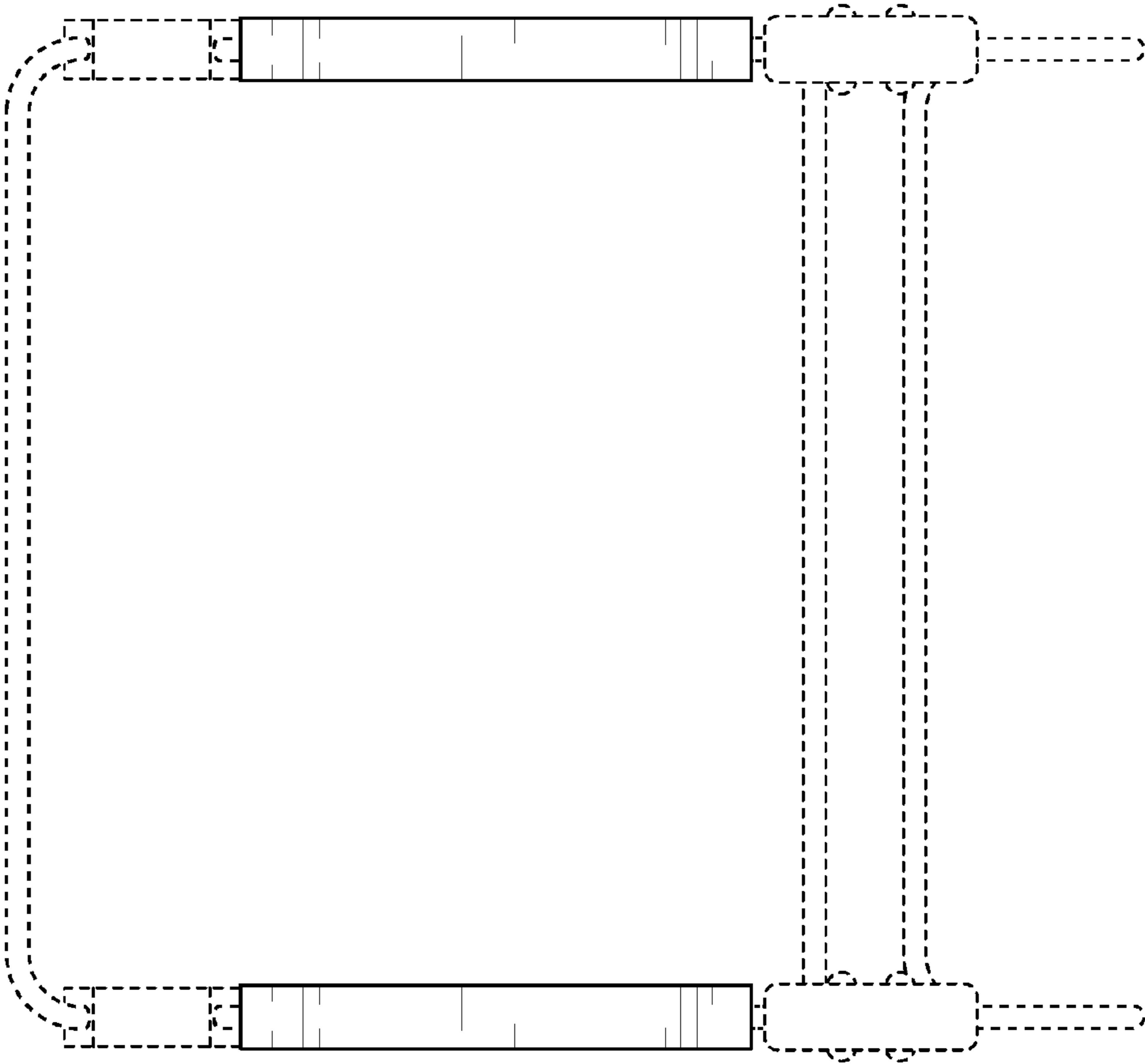


FIG. 4

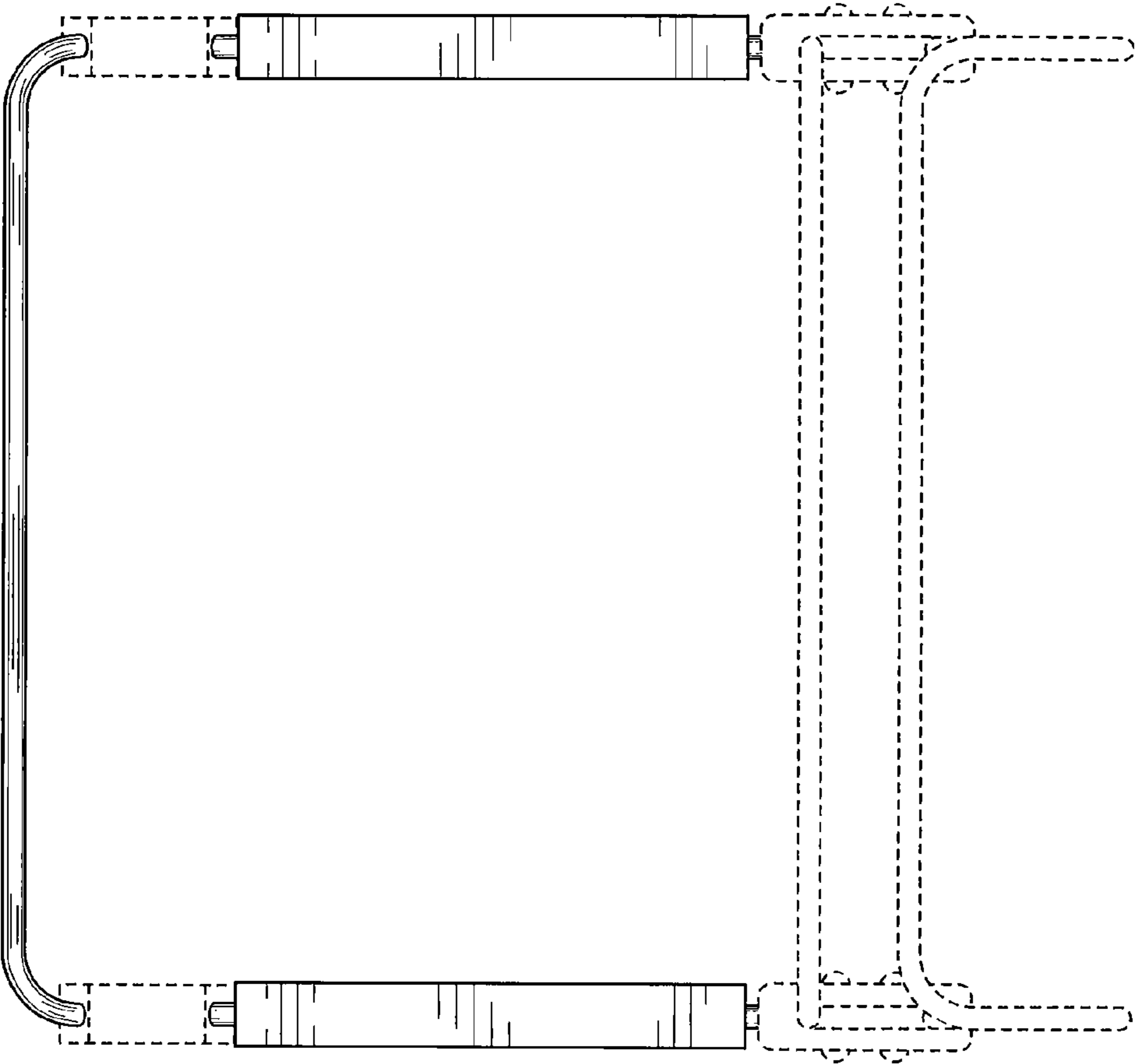


FIG. 5

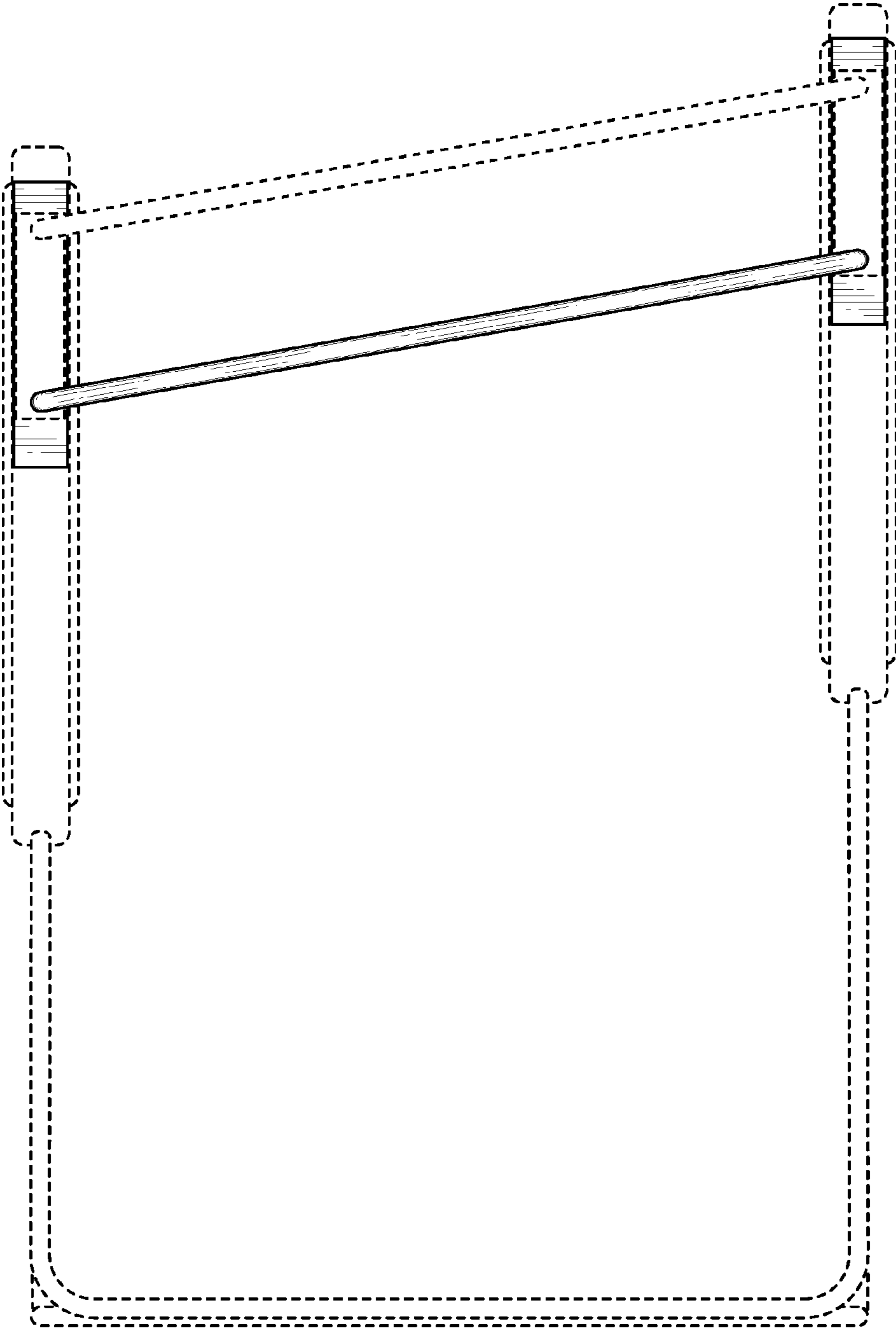


FIG. 6