



US00D682943S

(12) **United States Design Patent**
Mayfield

(10) **Patent No.:** **US D682,943 S**

(45) **Date of Patent:** **** May 21, 2013**

(54) **WINE CORK AND LABEL PAPERWEIGHT**

(76) Inventor: **Charlene Mayfield**, Sausalito, CA (US)

(**) Term: **14 Years**

(21) Appl. No.: **29/406,614**

(22) Filed: **Nov. 16, 2011**

(51) **LOC (9) Cl.** **19-02**

(52) **U.S. Cl.**
USPC **D19/96**

(58) **Field of Classification Search**
USPC D11/131, 145, 157; D19/95, 96,
D19/97, 99, 100; 16/403; 40/358, 409, 410,
40/738; 428/13, 14

See application file for complete search history.

(56) **References Cited**

U.S. PATENT DOCUMENTS

2,427,870	A *	9/1947	Mitchell	40/358
2,435,612	A *	2/1948	Snyder	428/13
2,557,399	A *	6/1951	Teetor	40/124.04
D202,594	S *	10/1965	Hrolenok	D19/96
3,494,515	A *	2/1970	Fattori	222/548
3,816,224	A *	6/1974	Smart et al.	47/41.12
4,014,122	A *	3/1977	Woods	40/358
4,221,078	A *	9/1980	Latham et al.	47/41.01
D257,266	S *	10/1980	Curry et al.	D19/97
4,765,623	A *	8/1988	Cardillo et al.	273/161
4,989,120	A *	1/1991	Davis et al.	362/35
5,088,218	A *	2/1992	Liu	40/411
5,187,889	A *	2/1993	Kraselsky et al.	40/407
D336,061	S *	6/1993	Kraselsky et al.	D11/157
5,286,535	A *	2/1994	Hou	428/11
D384,909	S *	10/1997	Lenhard	D11/157
6,061,937	A *	5/2000	Meng	40/409
6,145,227	A *	11/2000	Liao	40/406
6,165,041	A *	12/2000	Lin	446/267
6,269,566	B1 *	8/2001	Lo	40/406
6,305,108	B1 *	10/2001	Lin	40/406

6,318,010	B1 *	11/2001	Tsai	40/406
6,449,887	B1 *	9/2002	Song	40/406
D465,614	S *	11/2002	Petit	D28/76
6,562,423	B2 *	5/2003	Rubin	428/13
6,568,108	B2 *	5/2003	Lin	40/409
6,645,580	B1 *	11/2003	Tsai	428/11
6,722,064	B2 *	4/2004	Knapp et al.	40/410
D504,979	S *	5/2005	Lai	D28/76

(Continued)

Primary Examiner — Elizabeth Albert

(74) *Attorney, Agent, or Firm* — Steven A. Nielsen; Allman & Nielsen, P.C.

(57) **CLAIM**

The ornamental design for a wine cork and label paperweight, as shown and described.

DESCRIPTION

FIG. 1 is an isometric view of the base of the wine cork and label paperweight shown without the domed top for convenience of illustration;

FIG. 2 is an isometric view of the whole wine cork and label paperweight assembled together;

FIG. 3 is a left side elevational view of FIG. 1;

FIG. 4 is a right side elevational view of FIG. 3;

FIG. 5 is a back elevational view of FIG. 3;

FIG. 6 is a front elevational view of FIG. 3;

FIG. 7 is a top plan view of FIG. 2

FIG. 8 is a right side elevational view of FIG. 2;

FIG. 9 is a left side elevational view of FIG. 2;

FIG. 10 is a back elevational view of FIG. 2;

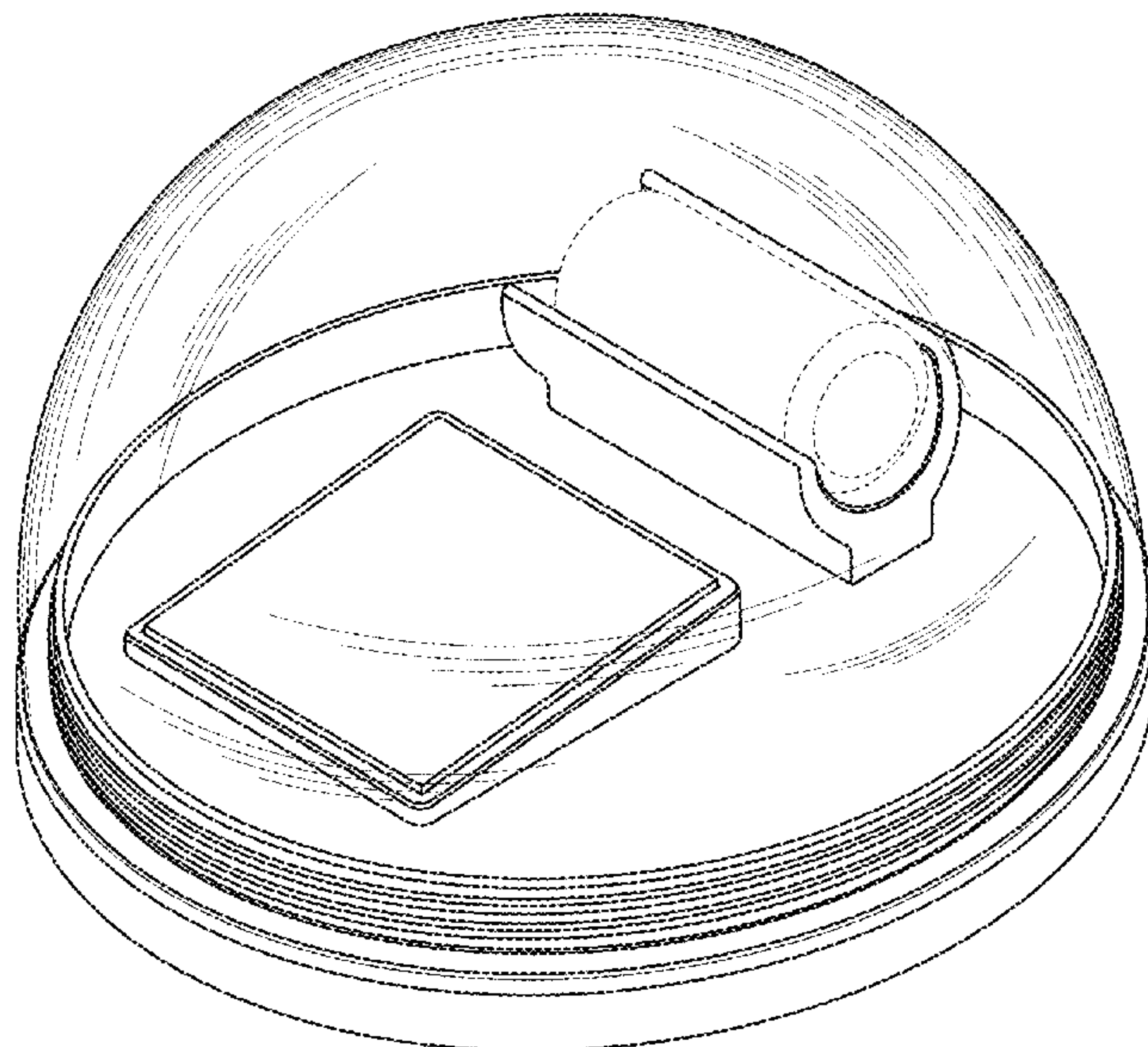
FIG. 11 is a front elevational view of FIG. 2;

FIG. 12 is an isometric view of the domed top of FIG. 2, shown by itself for convenience of illustration; and,

FIG. 13 is a side elevational view of FIG. 13.

The dashed lines showing the cork in FIGS. 1-11 represent environmental matter that form no part of the claimed design.

1 Claim, 13 Drawing Sheets



US D682,943 S

Page 2

U.S. PATENT DOCUMENTS

D512,598 S *	12/2005	Shore	D7/325	7,905,426 B1 *	3/2011	Greiner	239/44
6,988,699 B2 *	1/2006	Hsu	248/450	D635,613 S	4/2011	Mayfield	
D534,076 S *	12/2006	Green et al.	D9/435	D636,027 S *	4/2011	Kelleigh	D19/97
D564,900 S *	3/2008	Green et al.	D9/715	D667,240 S *	9/2012	Weldon	D6/472
D596,985 S *	7/2009	Machado et al.	D11/160	2002/0095838 A1 *	7/2002	Yu	40/544
D610,458 S *	2/2010	Martin	D9/500	2008/0067086 A1 *	3/2008	Uidl	206/232
D624,454 S *	9/2010	Kertz	D11/145				

* cited by examiner

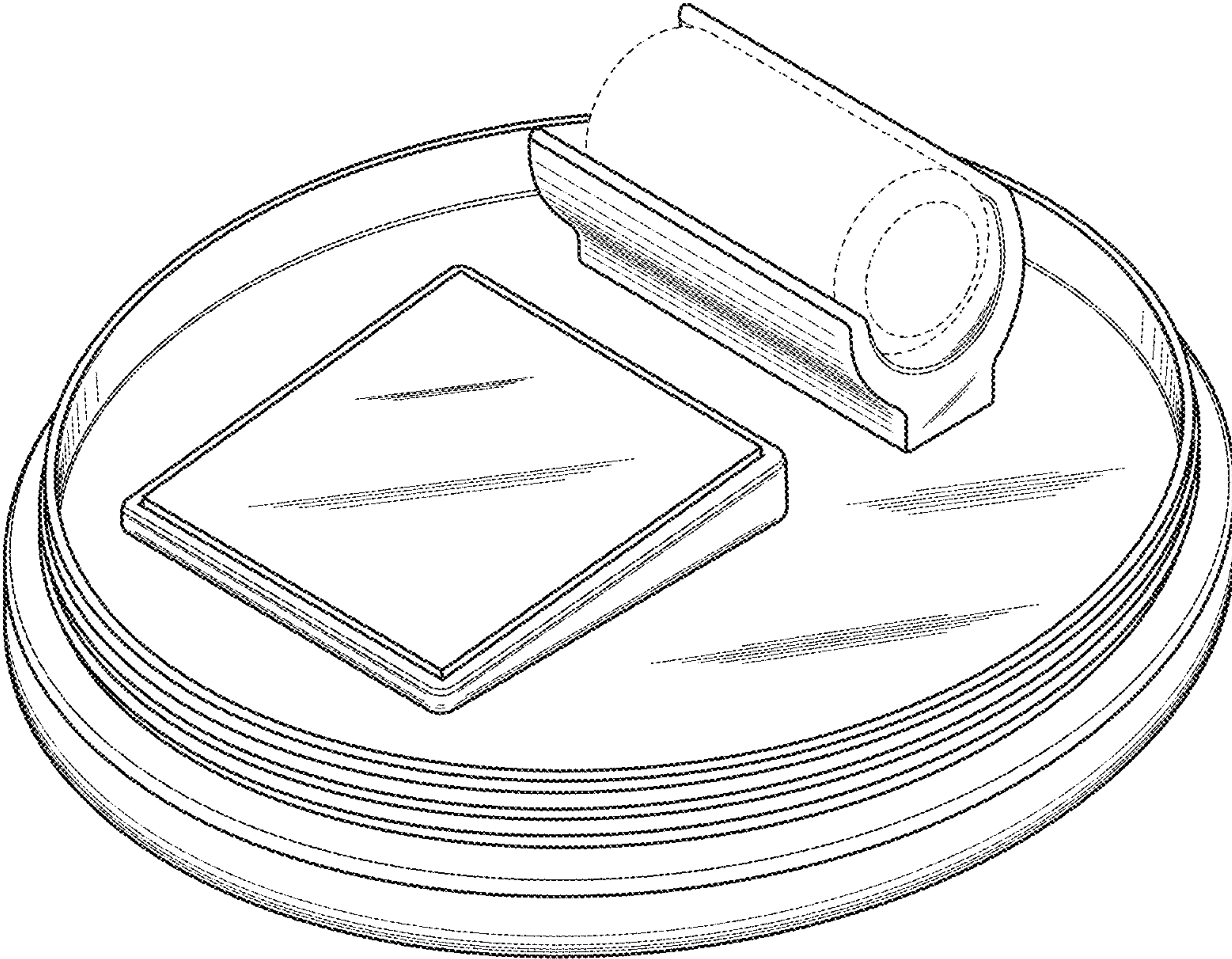


Fig. 1

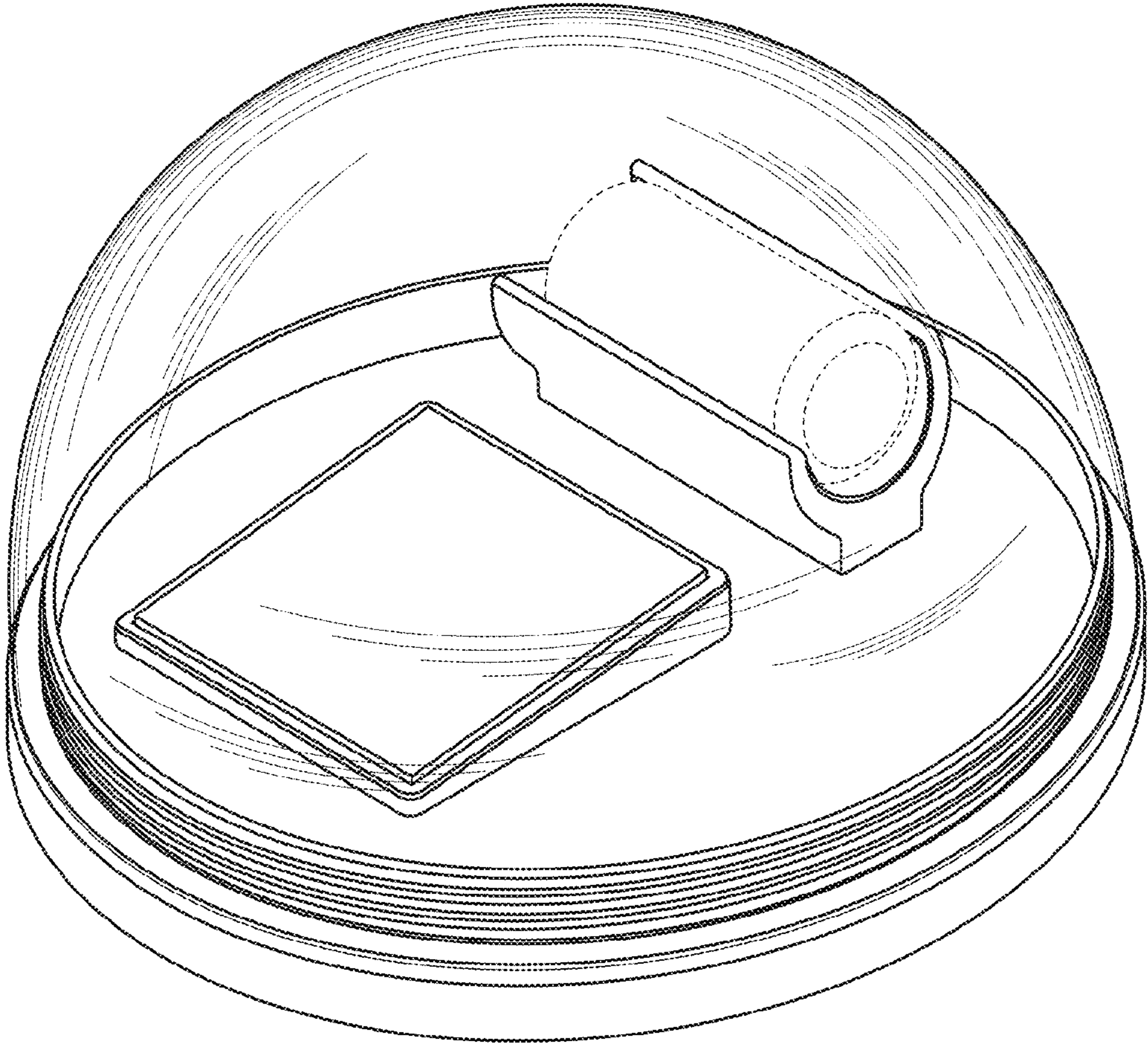


Fig. 2

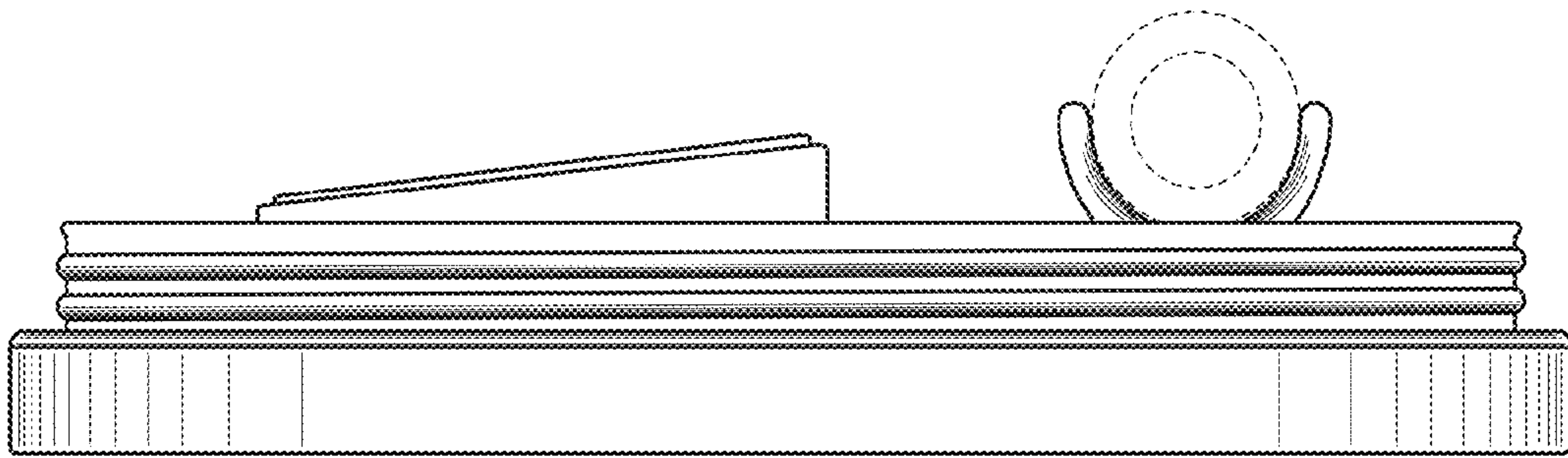


Fig. 3

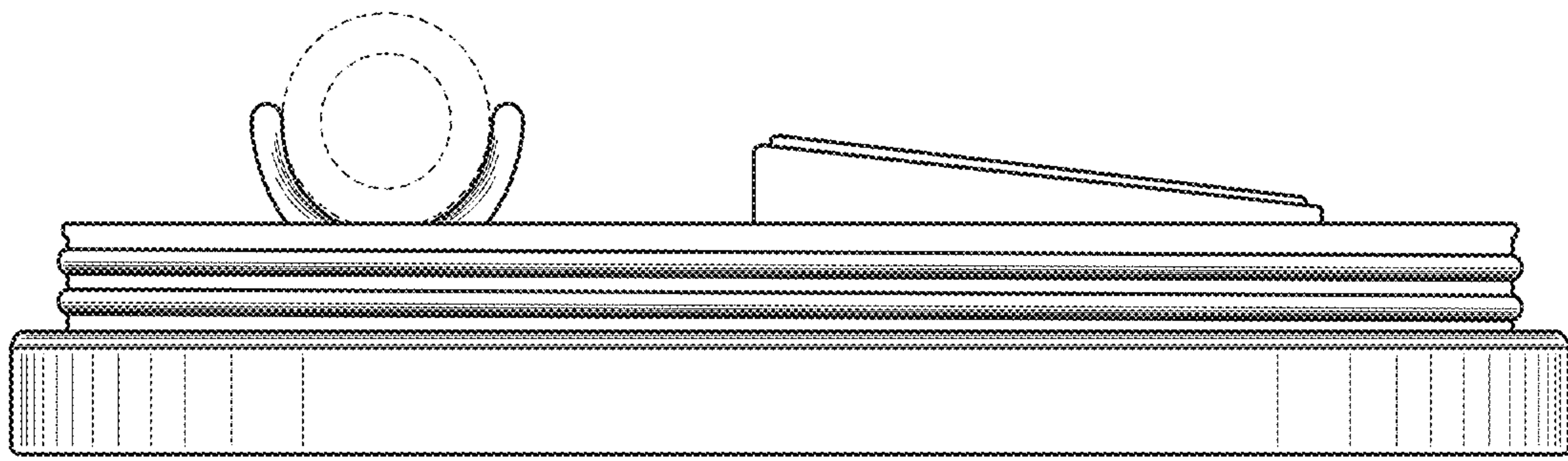


Fig. 4

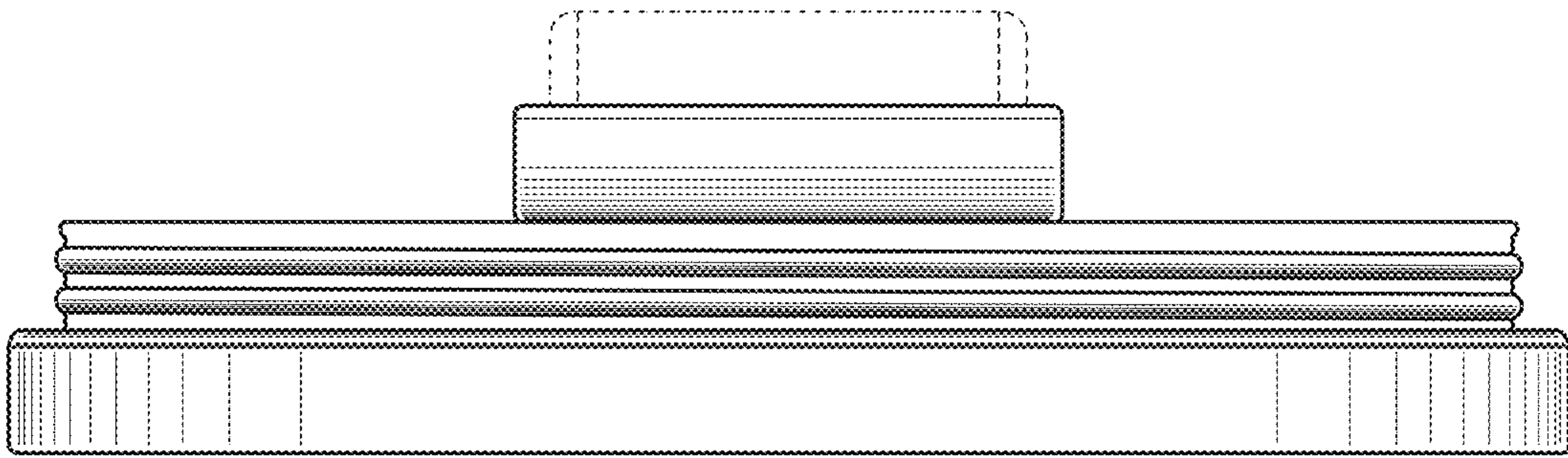


Fig. 5

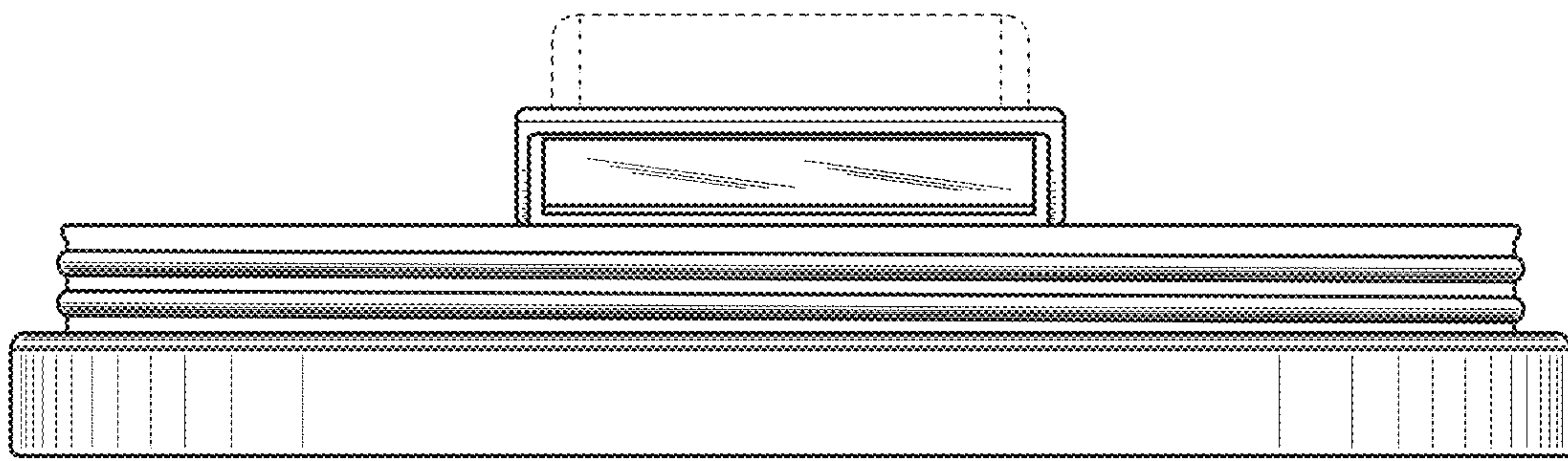


Fig. 6

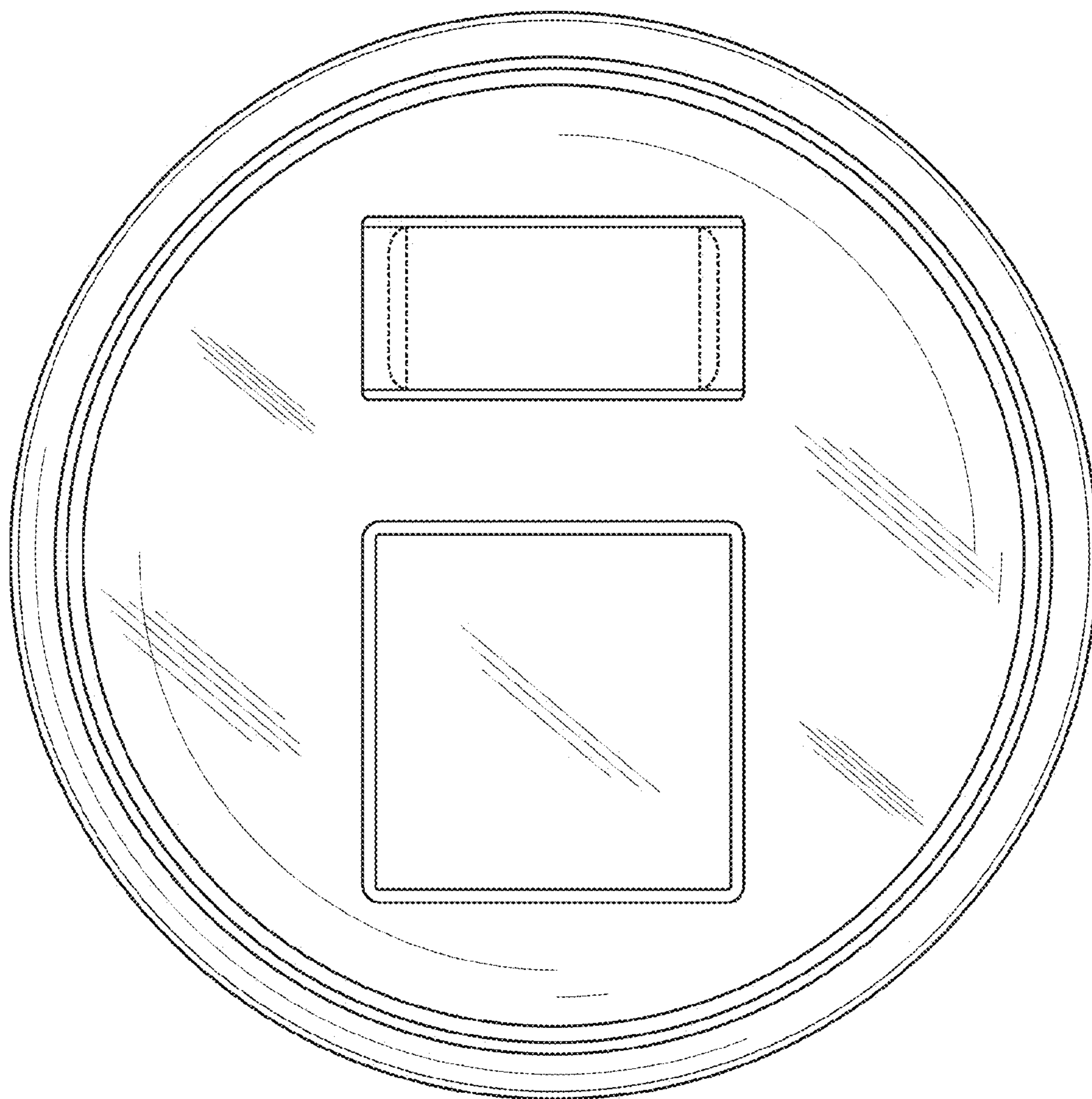


Fig. 7

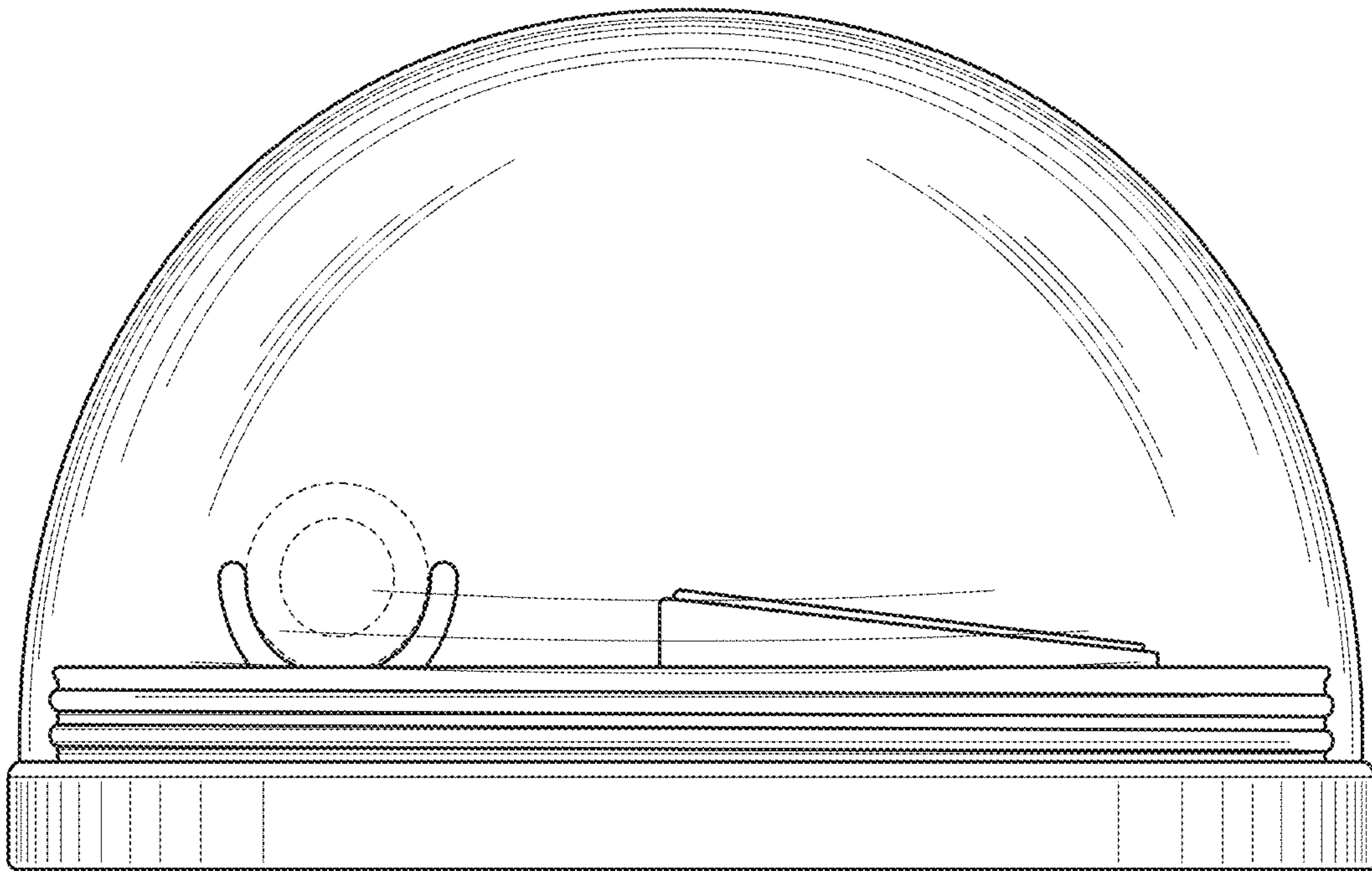


Fig. 8

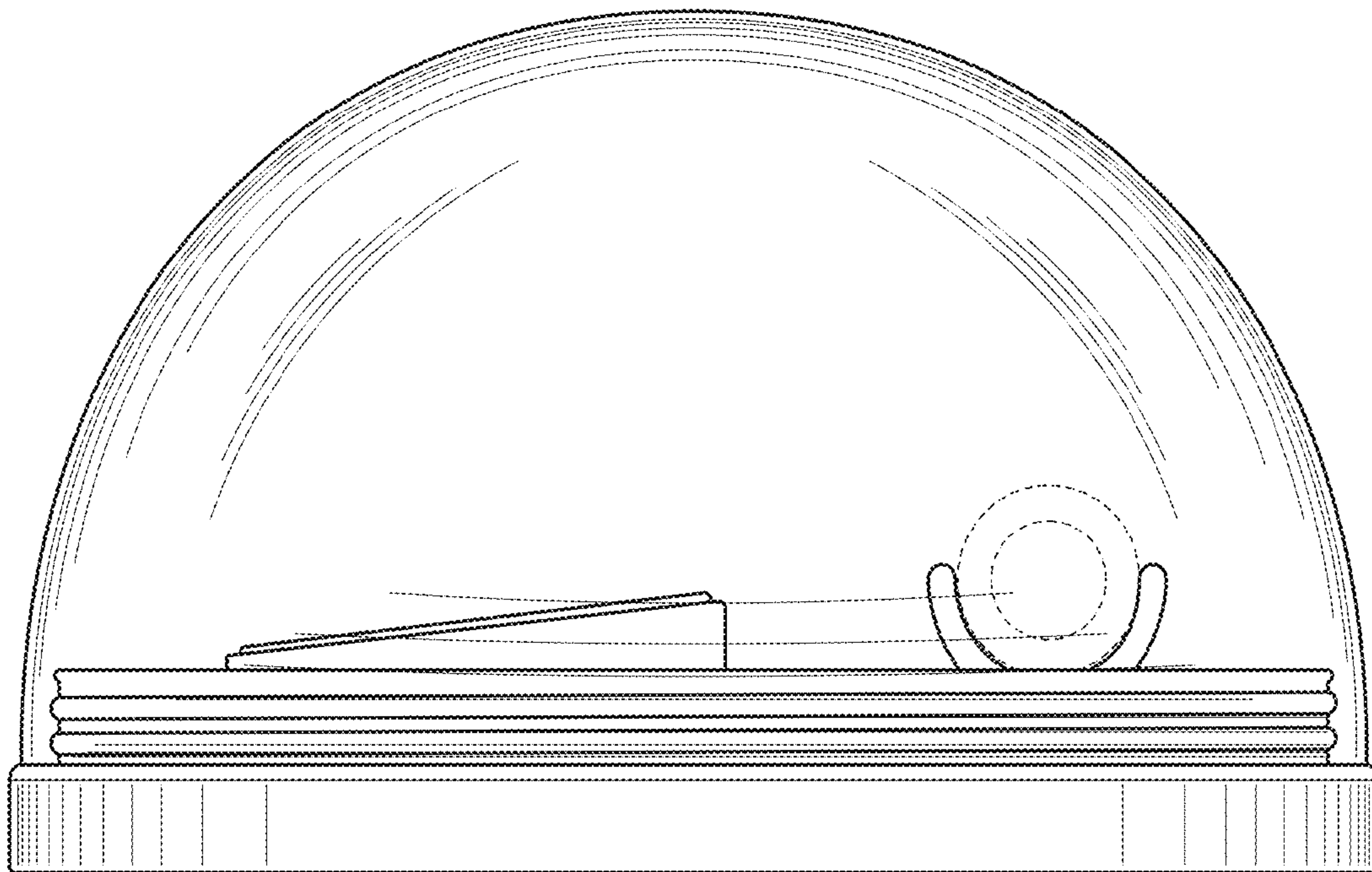


Fig. 9

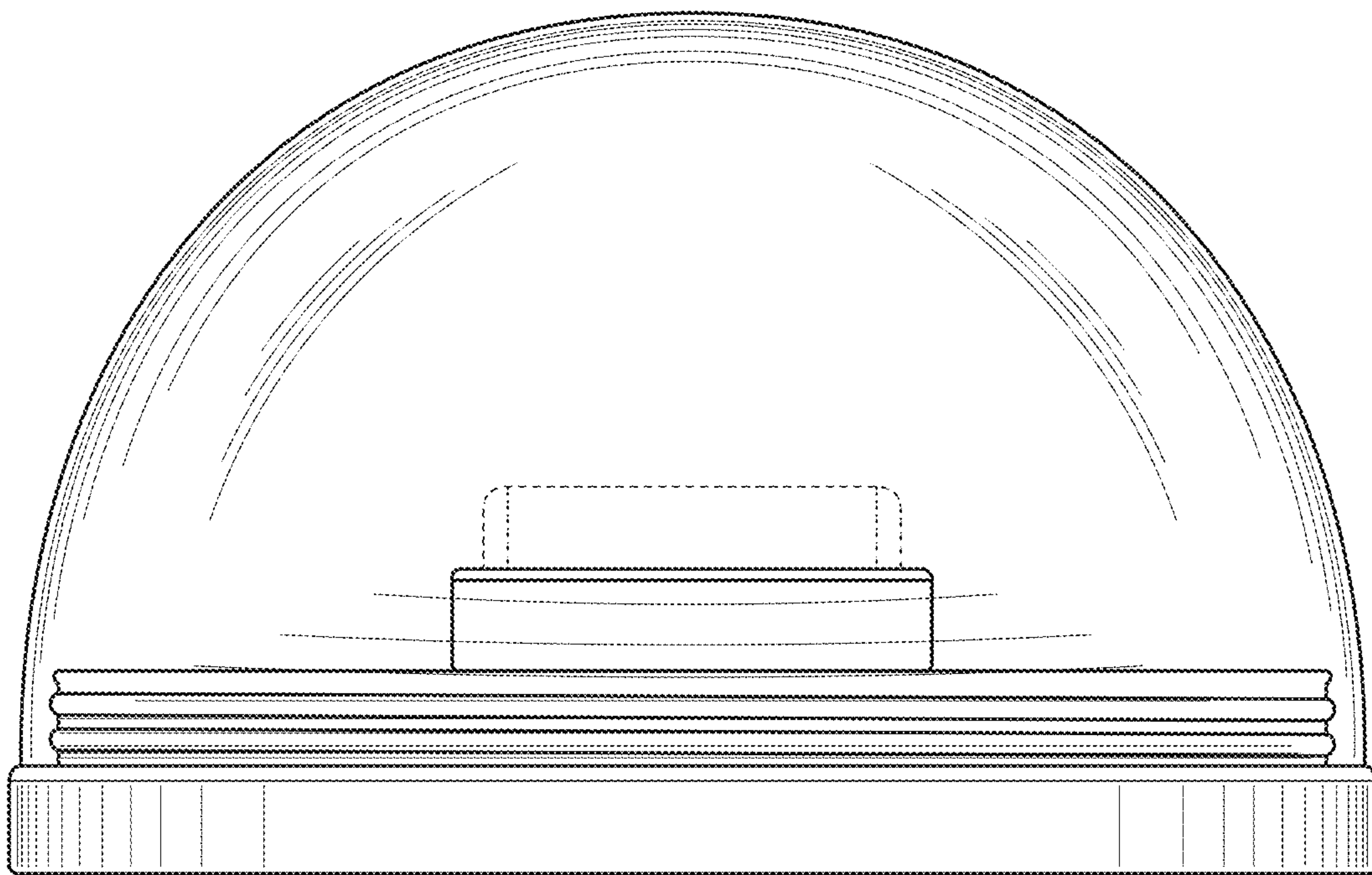


Fig. 10

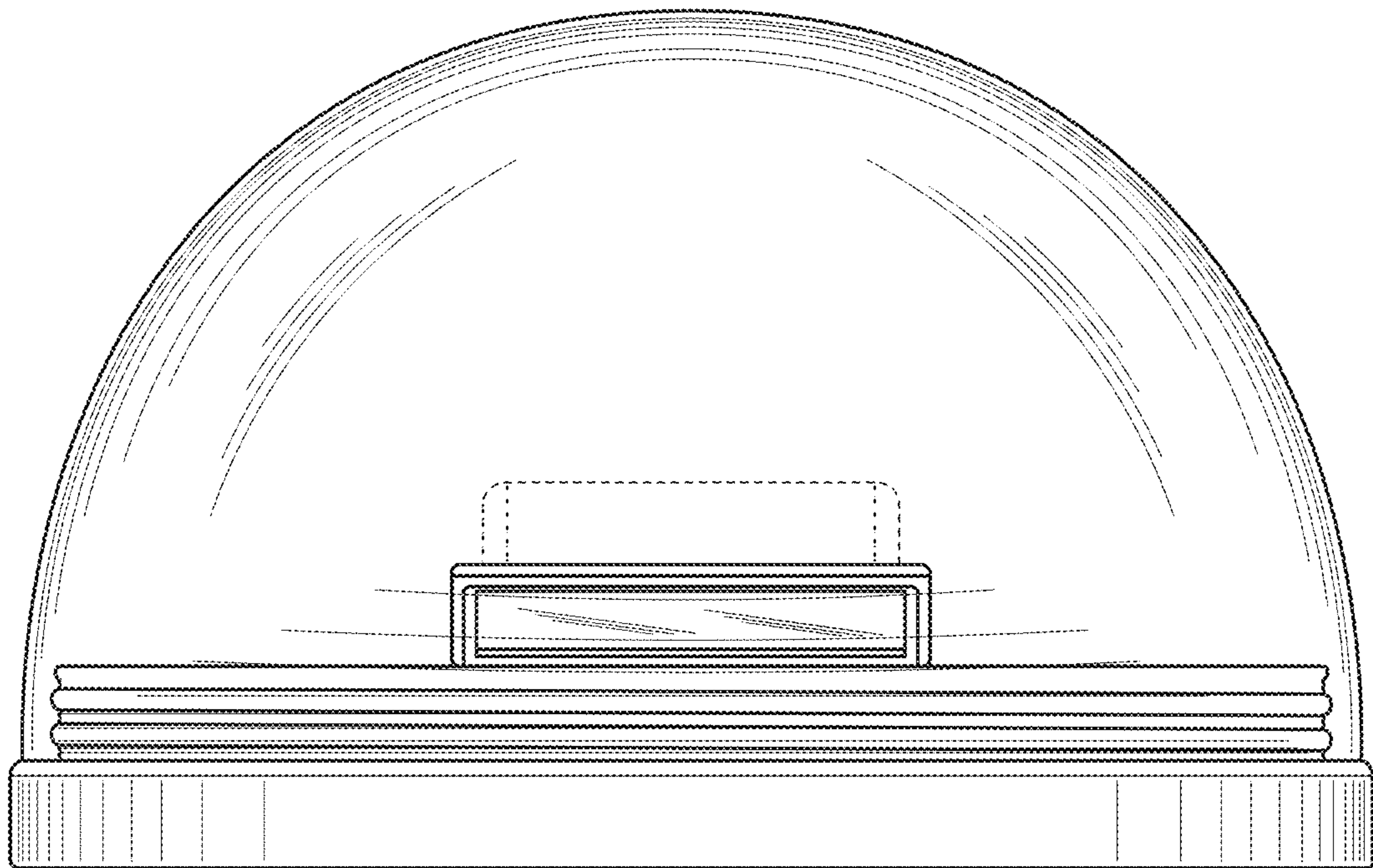


Fig. 11

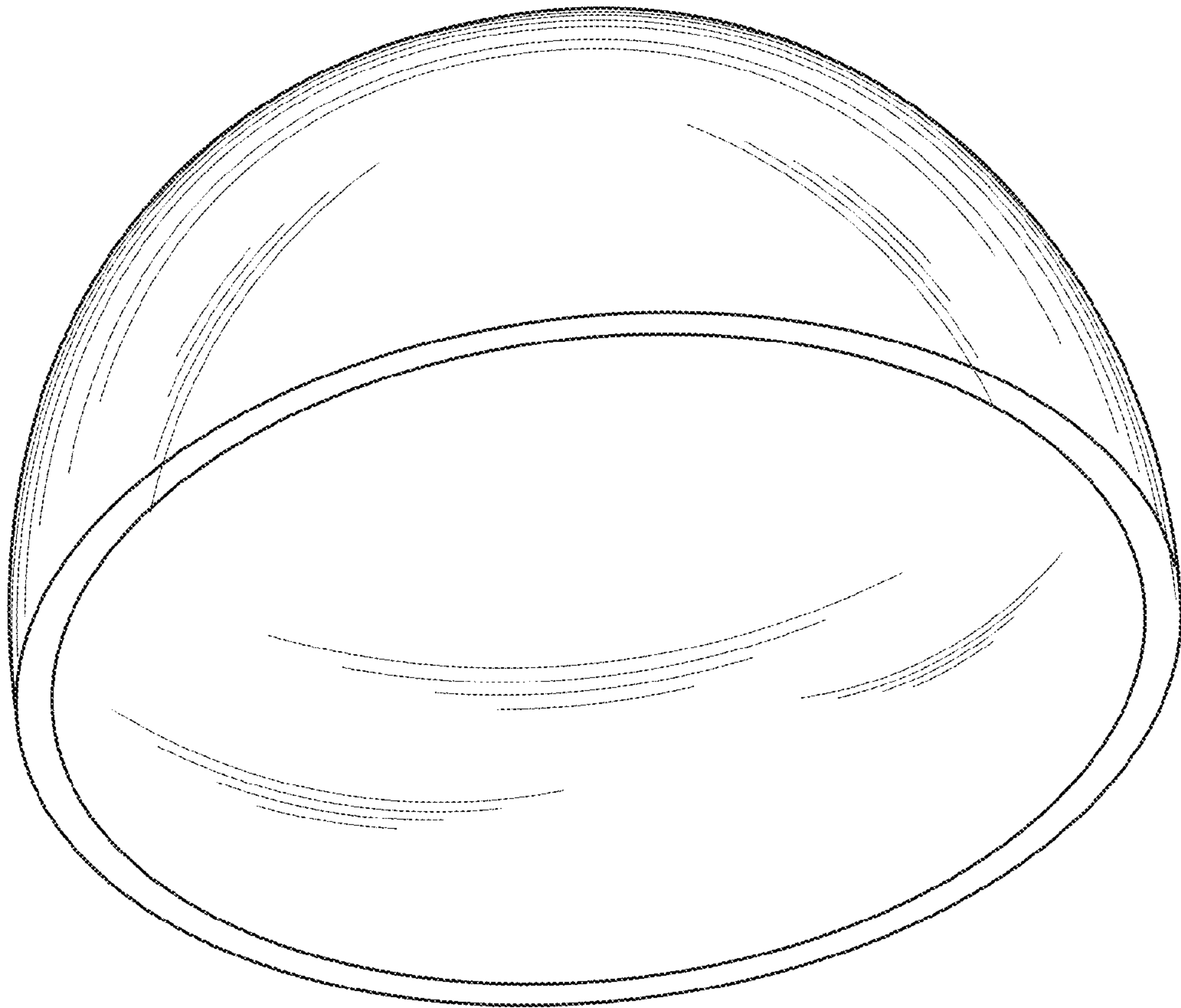


Fig. 12

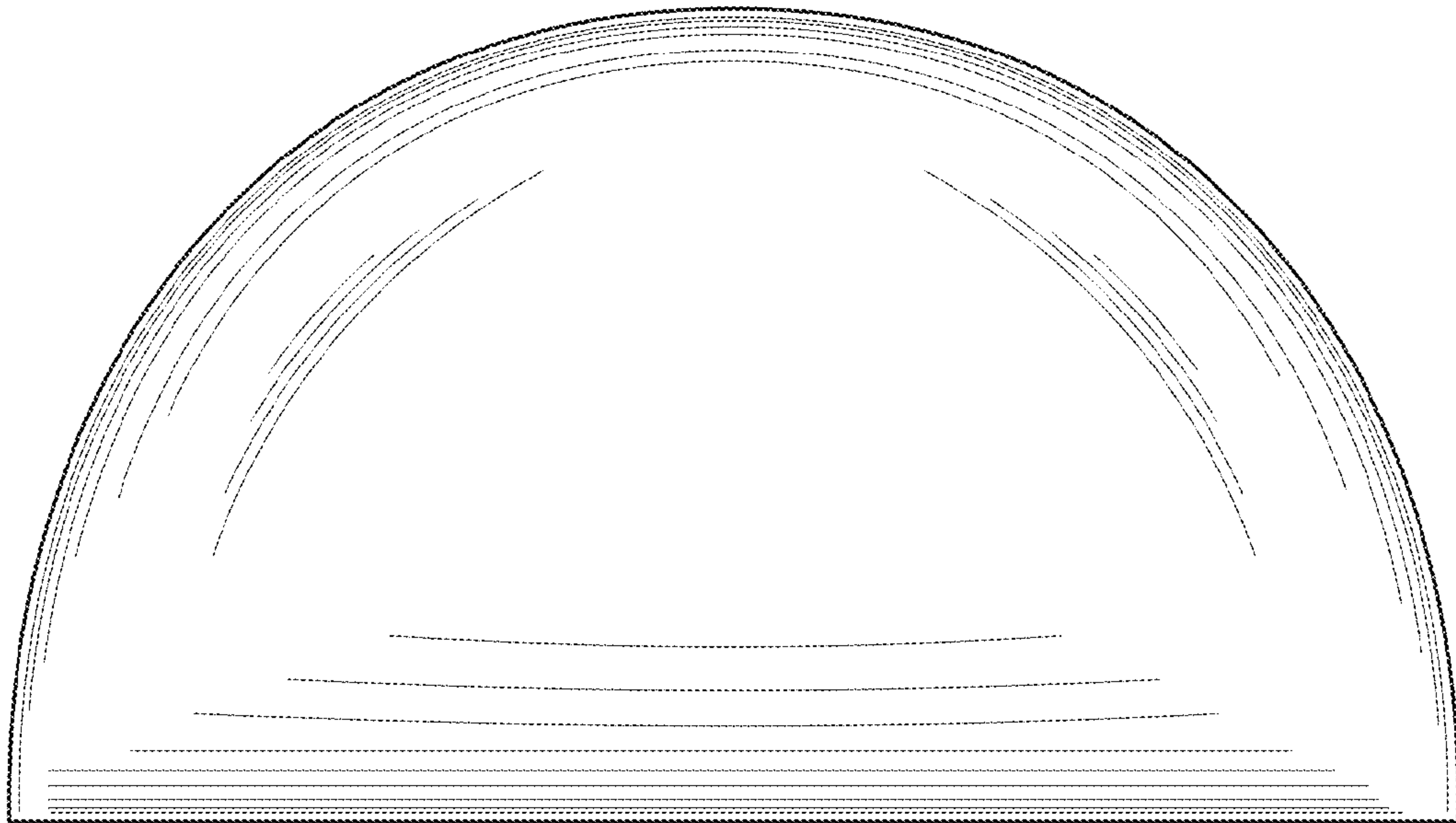


Fig. 13