



US00D682935S

(12) **United States Design Patent**
Liang

(10) **Patent No.:** **US D682,935 S**

(45) **Date of Patent:** **** May 21, 2013**

- (54) **PEN**
- (75) **Inventor:** **Wenyan Liang**, Ningbo (CN)
- (73) **Assignee:** **Beifa Group Co., Ltd.**, Ningbo (CN)
- (**) **Term:** **14 Years**
- (21) **Appl. No.:** **29/405,738**
- (22) **Filed:** **Nov. 4, 2011**

(30) **Foreign Application Priority Data**

May 4, 2011 (CN) 2011 3 0102899

(51) **LOC (9) Cl.** **19-06**

(52) **U.S. Cl.**
USPC **D19/49**

(58) **Field of Classification Search**
USPC .. D14/411; D19/35, 36, 41-51, 54-58; 24/11
F, 11 P, 11 R; 401/52, 99-109, 192, 195,
401/196

See application file for complete search history.

(56) **References Cited**

U.S. PATENT DOCUMENTS

3,343,292	A *	9/1967	Jorgensen	40/334
D355,673	S	2/1995	Takahashi		
D390,873	S *	2/1998	Oka	D19/49
D433,704	S	11/2000	Kouda		
D482,071	S *	11/2003	Kennedy et al.	D19/55
D496,963	S *	10/2004	Losel	D19/49
6,932,276	B1 *	8/2005	Liu	235/486

D538,341	S *	3/2007	Oas	D19/44
D549,779	S *	8/2007	Shimizu	D19/55
D565,102	S *	3/2008	Anand	D19/50
D570,912	S *	6/2008	Tatic	D19/49
D571,400	S *	6/2008	Anand	D19/49
D595,352	S *	6/2009	Ikeda	D19/48
D601,198	S *	9/2009	Kouda	D19/49
D629,461	S *	12/2010	Shibata	D19/49
D652,451	S *	1/2012	Casciotti et al.	D19/54

* cited by examiner

Primary Examiner — Elizabeth Albert

(74) *Attorney, Agent, or Firm* — Christensen O'Connor Johnson Kindness PLLC

(57) **CLAIM**

The ornamental design for a pen, as shown and described.

DESCRIPTION

FIG. 1 is an upper front right perspective view of a pen showing my new design;

FIG. 2 is a front elevation view thereof;

FIG. 3 is a rear elevation view thereof;

FIG. 4 is a left side elevation view thereof, with the right side elevation view being a mirror image of the left side elevation view;

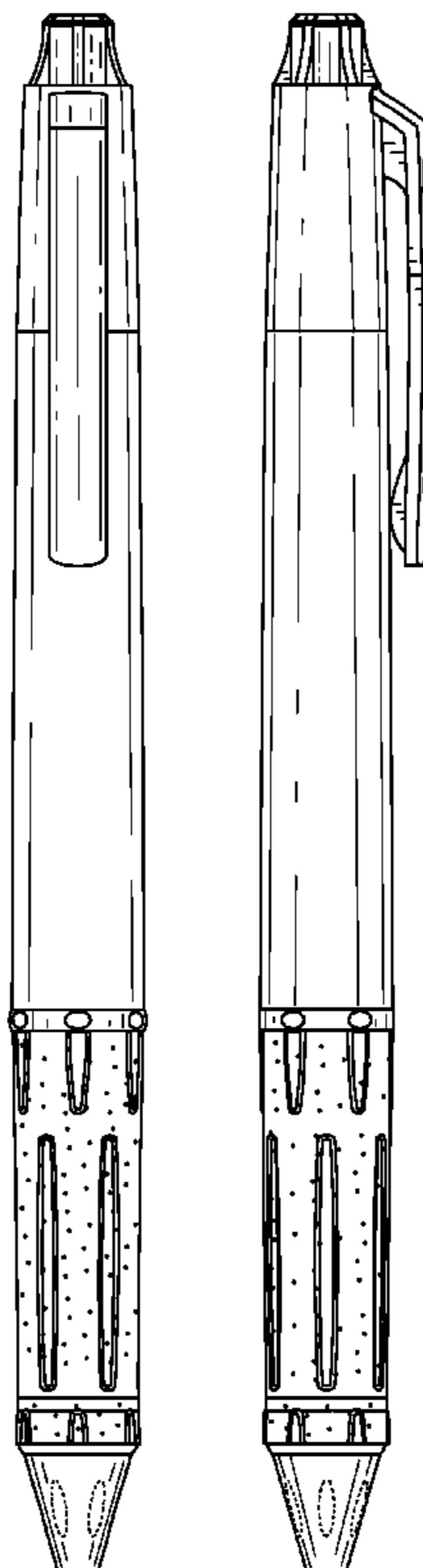
FIG. 5 is an enlarged top plan view thereof; and,

FIG. 6 is an enlarged bottom plan view thereof.

The broken lines shown in FIGS. 1-6 illustrate environmental subject matter and form no part of the claimed design.

The stippling shown in FIGS. 1-6 represents a surface texture.

1 Claim, 4 Drawing Sheets



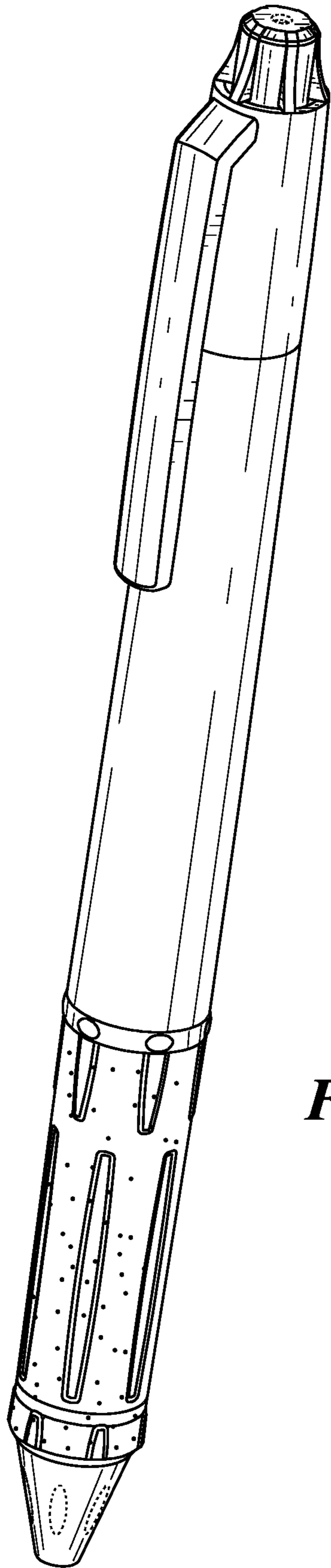


Fig. 1

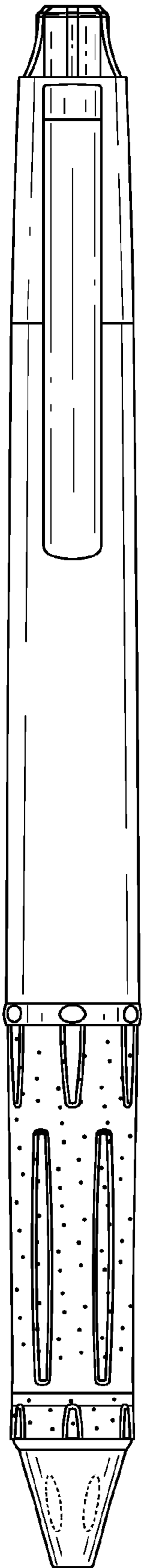


Fig. 2

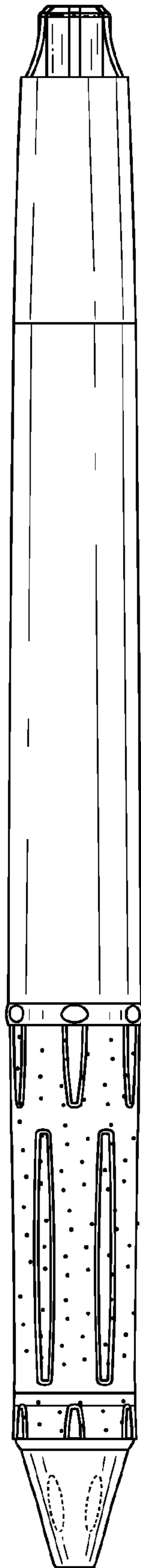


Fig. 3

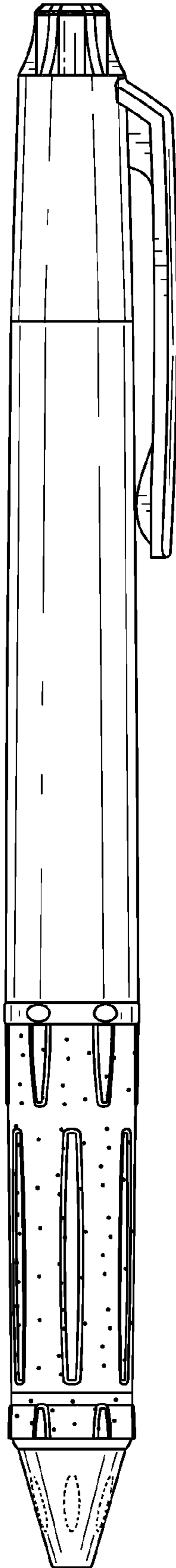


Fig. 4

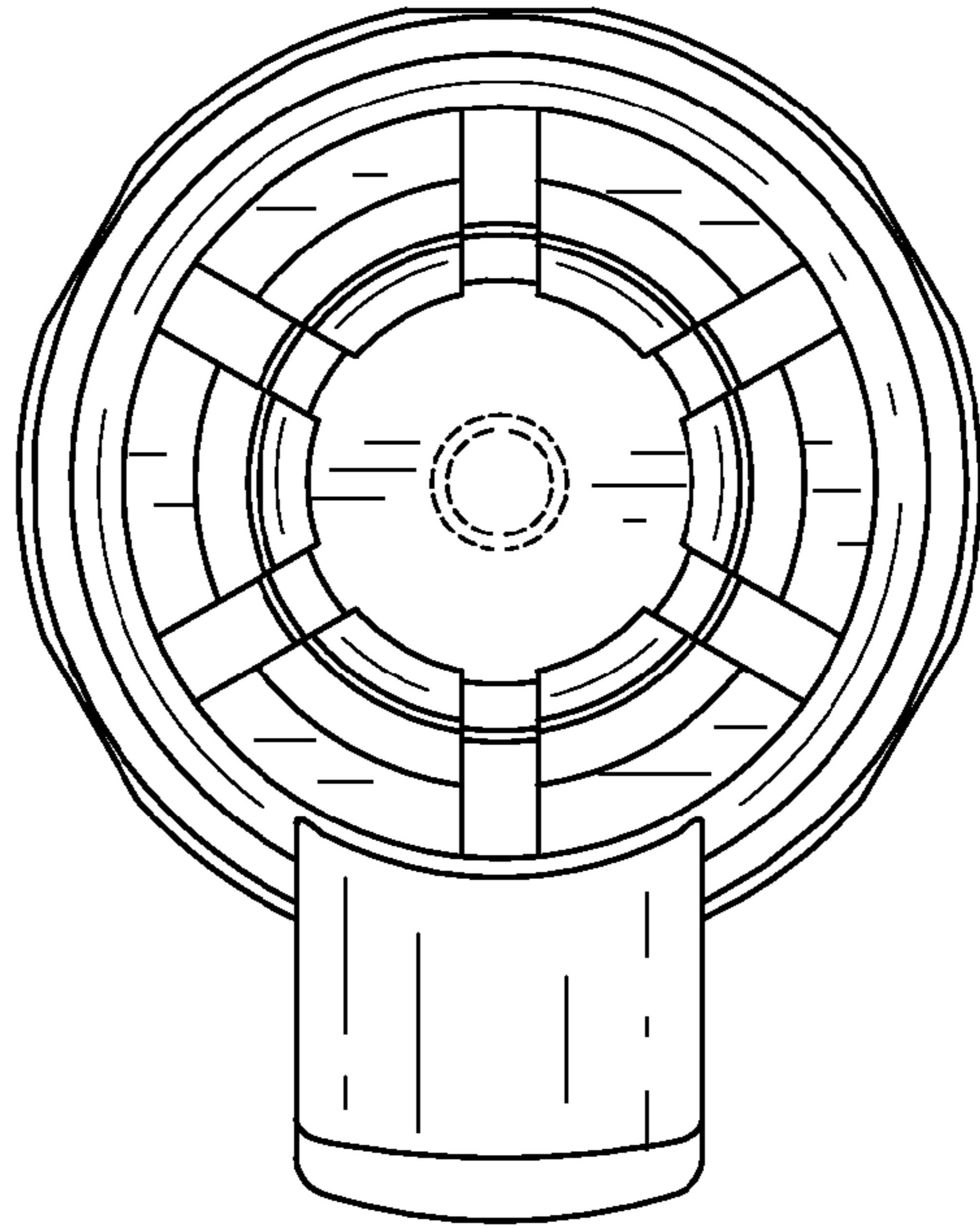


Fig. 5

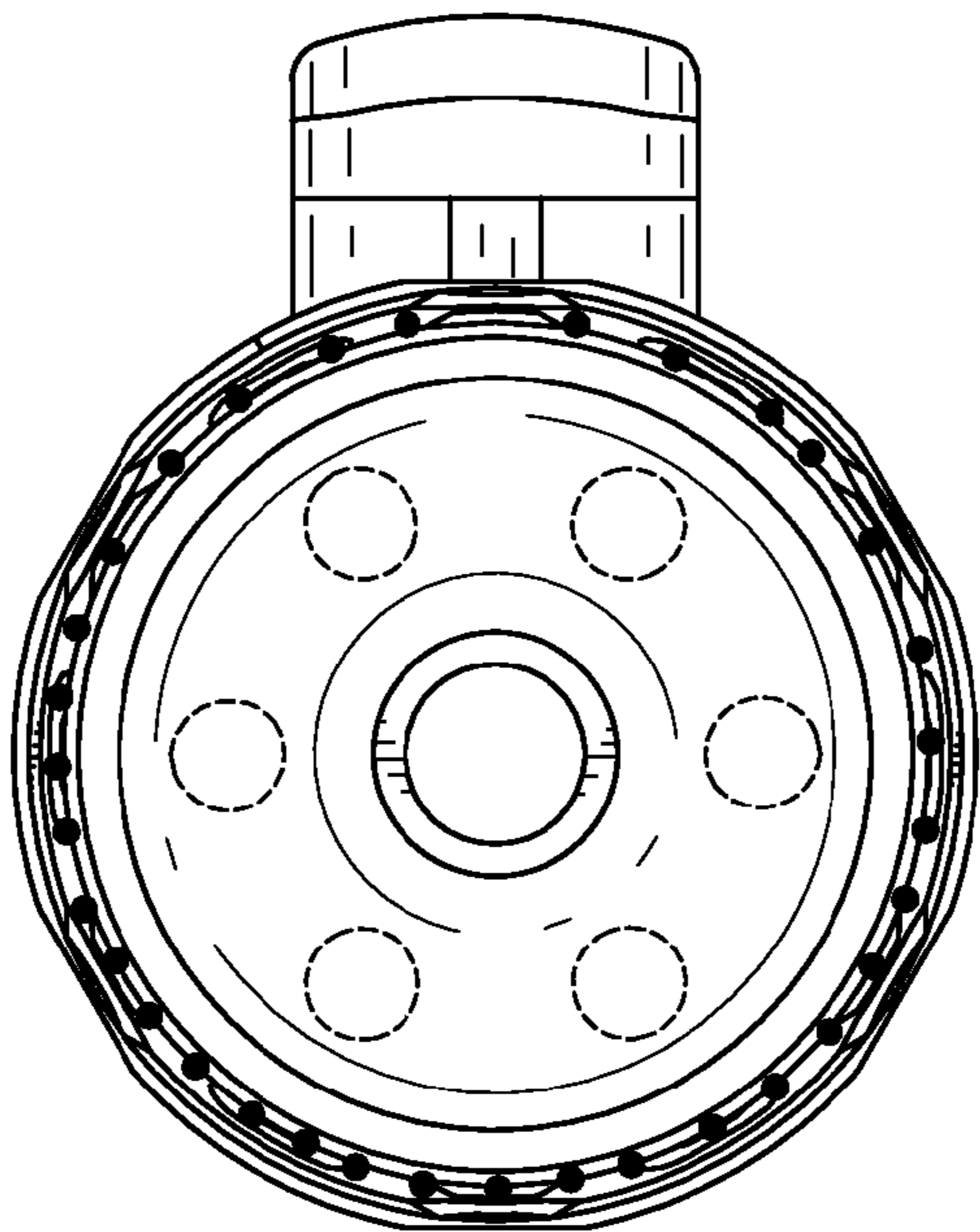


Fig. 6