



US00D682933S

(12) **United States Design Patent**  
**Bowman et al.**

(10) **Patent No.:** **US D682,933 S**  
(45) **Date of Patent:** **\*\* May 21, 2013**

(54) **FILE FOLDERS, HAVING PANELS AND ROTATABLE FLAGS**

(75) Inventors: **Vincent H. Bowman**, Highland Park, IL (US); **Jeffrey Herz**, Aliso Viejo, CA (US); **RunLin Li**, Donguan (CN)

(73) Assignee: **Avery Dennison Corporation**, Pasadena, CA (US)

(\*\*) Term: **14 Years**

(21) Appl. No.: **29/408,499**

(22) Filed: **Dec. 13, 2011**

**Related U.S. Application Data**

(63) Continuation-in-part of application No. 29/402,682, filed on Sep. 26, 2011.

(51) **LOC (9) Cl.** ..... **19-04**

(52) **U.S. Cl.**  
USPC ..... **D19/26**

(58) **Field of Classification Search** ..... D19/26-33, D19/75, 86; 283/36-37, 39-41; 40/359-360, 40/641; 229/67.1-67.4, 72; 281/31, 38, 281/42, 45; 402/79

See application file for complete search history.

(56) **References Cited**

**U.S. PATENT DOCUMENTS**

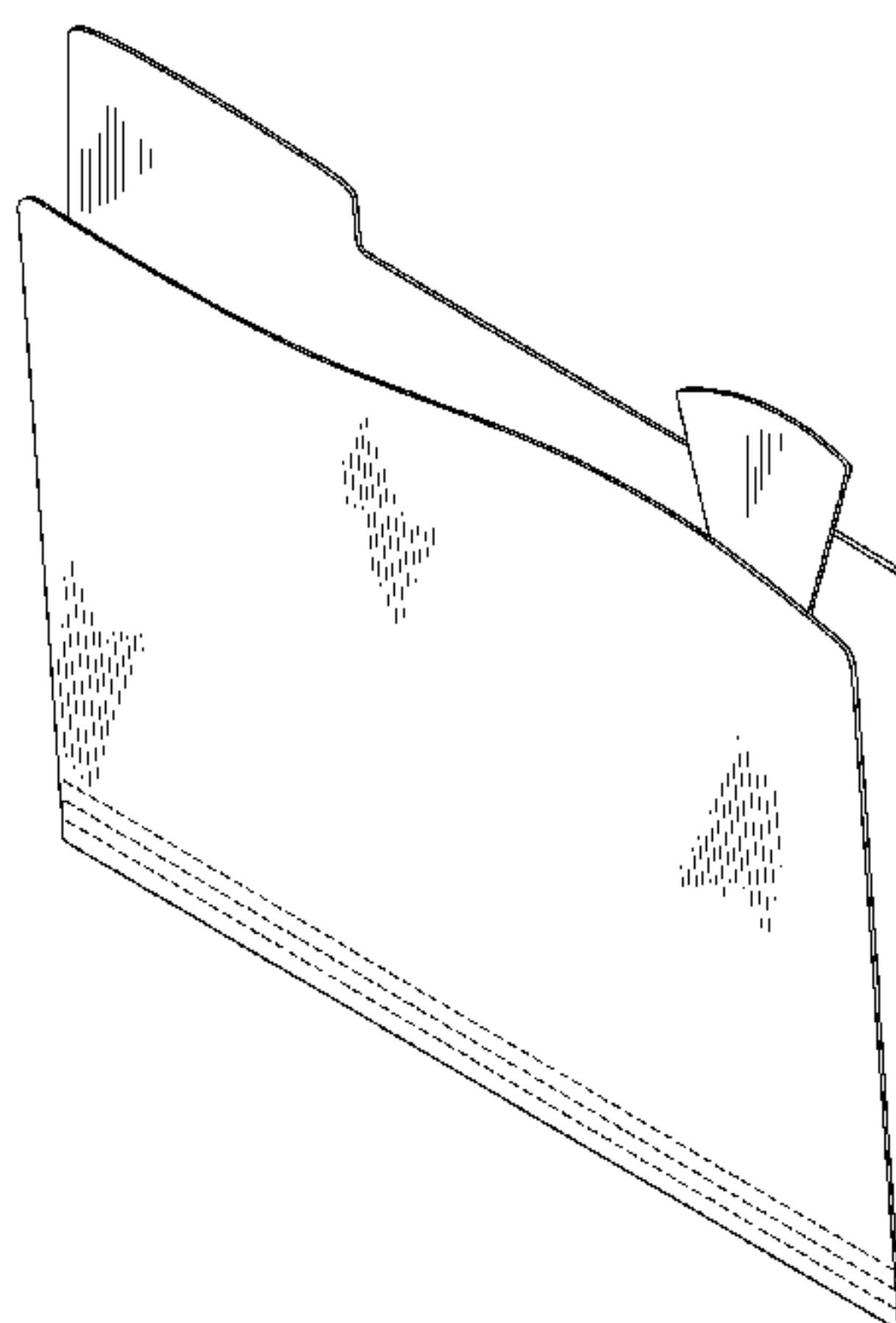
1,008,352	A	11/1911	Meyers	
1,654,545	A	1/1928	Lindsay	
1,697,985	A *	1/1929	Lindsay	40/359
1,751,495	A *	3/1930	Robinson	40/360
D137,883	S *	5/1944	Widder	D19/26
2,448,435	A *	8/1948	Johnson	281/45
2,878,814	A *	3/1959	Consaul	40/359
2,895,448	A *	7/1959	Haines	116/324
3,132,628	A *	5/1964	Gehlsen	116/319
3,204,639	A *	9/1965	Kleffman	40/360
4,176,485	A *	12/1979	Terris	40/584
D282,758	S *	2/1986	Hirsch	D19/91
4,637,149	A *	1/1987	Rivkin	40/641
4,905,393	A *	3/1990	Laurie	40/641
5,160,296	A *	11/1992	Katz	462/6

D337,784	S *	7/1993	Wyant	D19/26
5,226,676	A *	7/1993	Su	281/45
5,311,685	A *	5/1994	Wyant	40/359
5,341,982	A	8/1994	Syers	
5,540,513	A *	7/1996	Wyant	402/79
5,639,124	A *	6/1997	Jung	283/36
5,692,670	A *	12/1997	Ho	229/67.1
5,722,128	A *	3/1998	Toney et al.	24/400
5,996,881	A *	12/1999	Smith	229/67.1
D438,904	S *	3/2001	Reynolds	D19/90
6,322,285	B1 *	11/2001	Ben	404/6
6,732,461	B2 *	5/2004	Slattery et al.	40/641
6,883,460	B2	4/2005	Weisenfeld	
D509,245	S *	9/2005	Ong	D19/26
D513,038	S *	12/2005	Ong	D19/26
6,976,449	B2	12/2005	Weisenfeld	
6,986,219	B1	1/2006	Raia	
7,066,494	B1 *	6/2006	Di Prinzio	281/42
7,125,050	B2 *	10/2006	Yamamoto et al.	283/36
7,334,363	B1 *	2/2008	Hansen	40/641
7,383,652	B2 *	6/2008	Glasberg	40/641
7,389,598	B2 *	6/2008	Bunger et al.	40/359
D579,974	S *	11/2008	Maier-Hunke	D19/26
7,536,812	B1 *	5/2009	Fasbender	40/359
D601,624	S *	10/2009	Barausky et al.	D19/33
D602,524	S *	10/2009	Wong et al.	D19/33
7,610,707	B1	11/2009	Payne	
D608,390	S *	1/2010	Wong et al.	D19/33
D608,391	S *	1/2010	Wong et al.	D19/33
7,731,442	B2 *	6/2010	Barausky et al.	402/79
7,793,449	B2 *	9/2010	Groch et al.	40/641
7,966,758	B2 *	6/2011	Scott Watts	40/641
7,980,014	B2 *	7/2011	Fasbender	40/359
7,980,779	B2 *	7/2011	Barausky et al.	402/79
8,141,282	B2 *	3/2012	Goodfellow et al.	40/641
8,360,675	B2 *	1/2013	Kent et al.	402/79
2005/0000839	A1 *	1/2005	Densley	206/425
2006/0000133	A1 *	1/2006	Windorski	40/641
2006/0225322	A1 *	10/2006	O'Leary et al.	40/359
2007/0119082	A1 *	5/2007	Gilchrist	40/641
2007/0234601	A1 *	10/2007	Yoo et al.	40/359
2008/0197174	A1 *	8/2008	Wittmeyer et al.	229/67.1
2009/0100730	A1 *	4/2009	Nathanson et al.	40/641
2009/0178320	A1 *	7/2009	Goodfellow et al.	40/641
2009/0307952	A1 *	12/2009	Watts	40/641
2012/0133120	A1 *	5/2012	Tseng	283/36

**OTHER PUBLICATIONS**

Preliminary Amendment in Chile Application No. 0748-2012 dated May 9, 2012, 17 pgs.

Preliminary Report in Chile Application No. 0748-2012 dated Jun. 26, 2012, 1 pg.





Office Action Reporting Letter in Argentina Application No. 83695 dated Jul. 27, 2012, 2 pgs.

Amendment in Mexico Application No. MX(f)2012/000990 dated May 22, 2012, 6 pgs.

Restriction Requirement in U.S. Appl. No. 29/402,682 dated Sep. 17, 2012, 5 pgs.

Response to Restriction Requirement in U.S. Appl. No. 29/402,682 dated Oct. 24, 2012, 18 pgs.

Notice of Allowance in U.S. Appl. No. 29/402,682 dated Jan. 15, 2013, 7 pgs.

\* cited by examiner

*Primary Examiner* — T. Chase Nelson

*Assistant Examiner* — Kathleen M Sims

(74) *Attorney, Agent, or Firm* — Christie, Parker & Hale, LLP

(57) **CLAIM**

We claim the ornamental design for file folders having panels and rotatable flags, as shown and described.

**DESCRIPTION**

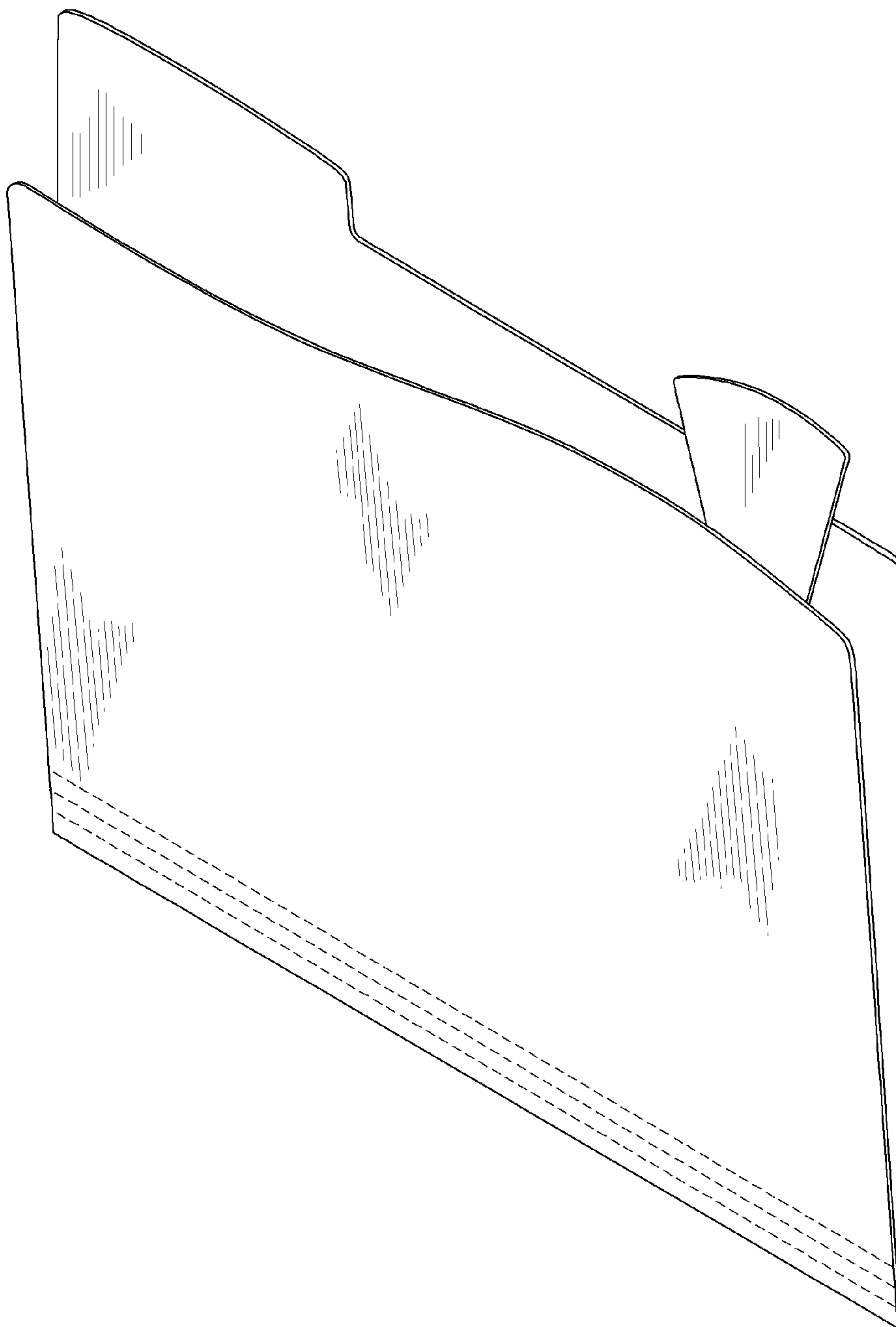
FIG. 1 is a front perspective view of a first embodiment of a file folder having a rotatable flag and a tab showing our new design, the file folder being shown in a slightly opened state with the rotatable flag being positioned generally upwardly; FIG. 2 is a front elevational view of the file folder of FIG. 1; FIG. 3 is a right-side elevational view of the file folder of FIG. 1; FIG. 4 is a left-side elevational view of the file folder of FIG. 1; FIG. 5 is a rear elevational view of the file folder of FIG. 1; FIG. 6 is a top plan view of the file folder of FIG. 1; FIG. 7 is a bottom plan view of the file folder of FIG. 1; FIG. 8 is a front perspective view of the file folder of FIG. 1, the file folder being shown in a completely opened state with the rotatable flag being positioned generally sideways; FIG. 9 is a front elevational view of the file folder shown in FIG. 8; FIG. 10 is a rear elevational view of the file folder of FIG. 8; FIG. 11 is a right-side elevational view of the file folder of FIG. 8; FIG. 12 is a left-side elevational view of the file folder of FIG. 8; FIG. 13 is a bottom plan view of the file folder of FIG. 8; FIG. 14 is a top plan view of the file folder of FIG. 8; FIG. 15 is a front perspective view of the file folder of FIG. 1, the rotatable flag being positioned generally to the left; FIG. 16 is a front perspective view of a second embodiment of a file folder having a rotatable flag and a tab showing our new design, the file folder being shown in a slightly opened state with the rotatable flag being positioned generally upwardly and the tab in a location that is different than the location of the tab of the file folder of FIG. 1; FIG. 17 is a front elevational view of the file folder of FIG. 16; FIG. 18 is a right-side elevational view of the file folder of FIG. 16; FIG. 19 is a left-side elevational view of the file folder of FIG. 16; FIG. 20 is a rear elevational view of the file folder of FIG. 16; FIG. 21 is a top plan view of the file folder of FIG. 16; FIG. 22 is a bottom plan view of the file folder of FIG. 16;

FIG. 23 is a front perspective view of the file folder of FIG. 16, the file folder being shown in a completely opened state with the rotatable flag being positioned generally sideways; FIG. 24 is a front elevational view of the file folder shown in FIG. 23; FIG. 25 is a rear elevational view of the file folder of FIG. 23; FIG. 26 is a right-side elevational view of the file folder of FIG. 23; FIG. 27 is a left-side elevational view of the file folder of FIG. 23; FIG. 28 is a bottom plan view of the file folder of FIG. 23; FIG. 29 is a top plan view of the file folder of FIG. 23; FIG. 30 is a front perspective view of the file folder of FIG. 16, the rotatable flag being positioned generally to the left; FIG. 31 is a front perspective view of a third embodiment of a file folder having a rotatable flag and a tab showing our new design, the file folder being shown in a slightly opened state with the rotatable flag being positioned generally upwardly and in a location that is different than the location of the rotatable flag of the file folder of FIG. 16; FIG. 32 is a front elevational view of the file folder of FIG. 31; FIG. 33 is a right-side elevational view of the file folder of FIG. 31; FIG. 34 is a left-side elevational view of the file folder of FIG. 31; FIG. 35 is a rear elevational view of the file folder of FIG. 31; FIG. 36 is a top plan view of the file folder of FIG. 31; FIG. 37 is a bottom plan view of the file folder of FIG. 31; FIG. 38 is a front perspective view of the file folder of FIG. 31, the file folder being shown in a completely opened state with the rotatable flag being positioned generally sideways; FIG. 39 is a front elevational view of the file folder shown in FIG. 38; FIG. 40 is a rear elevational view of the file folder of FIG. 38; FIG. 41 is a right-side elevational view of the file folder of FIG. 38; FIG. 42 is a left-side elevational view of the file folder of FIG. 38; FIG. 43 is a bottom plan view of the file folder of FIG. 38; FIG. 44 is a top plan view of the file folder of FIG. 38; FIG. 45 is a front perspective view of the file folder of FIG. 31, the rotatable flag being positioned generally to the right; FIG. 46 is a front perspective view of a fourth embodiment of a file folder having a rotatable flag and a tab showing our new design, the file folder being shown in a slightly opened state with the rotatable flag being positioned generally upwardly and the tab in a location that is different than the locations of the tabs of the file folders of FIGS. 1, 16, and 31; FIG. 47 is a front elevational view of the file folder of FIG. 46; FIG. 48 is a right-side elevational view of the file folder of FIG. 46; FIG. 49 is a left-side elevational view of the file folder of FIG. 46; FIG. 50 is a rear elevational view of the file folder of FIG. 46; FIG. 51 is a top plan view of the file folder of FIG. 46; FIG. 52 is a bottom plan view of the file folder of FIG. 46; FIG. 53 is a front perspective view of the file folder of FIG. 46, the file folder being shown in a completely opened state with the rotatable flag being positioned generally sideways; FIG. 54 is a front elevational view of the file folder shown in FIG. 53; FIG. 55 is a rear elevational view of the file folder of FIG. 53; FIG. 56 is a right-side elevational view of the file folder of FIG. 53;

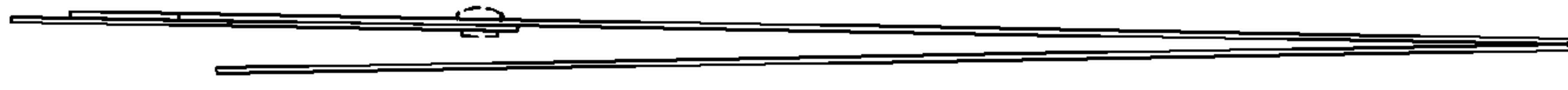
FIG. **57** is a left-side elevational view of the file folder of FIG. **53**;  
FIG. **58** is a bottom plan view of the file folder of FIG. **53**;  
FIG. **59** is a top plan view of the file folder of FIG. **53**; and,  
FIG. **60** is a front perspective view of the file folder of FIG. **53**,  
the rotatable flag being positioned generally to the right.  
The dashed lines that appear at the bottom of the file folders  
shown in FIGS. **1, 2, 8-10, 15-17, 23-25, 30-32, 38-40, 45-47,**

**53-55,** and **60** represent fold lines and are not a part of the  
claimed design. The dashed lines that appear at the top of the  
file folders in FIGS. **3-14, 18-29, 33-44,** and **48-59** represent  
fasteners and are not a part of the claimed design.

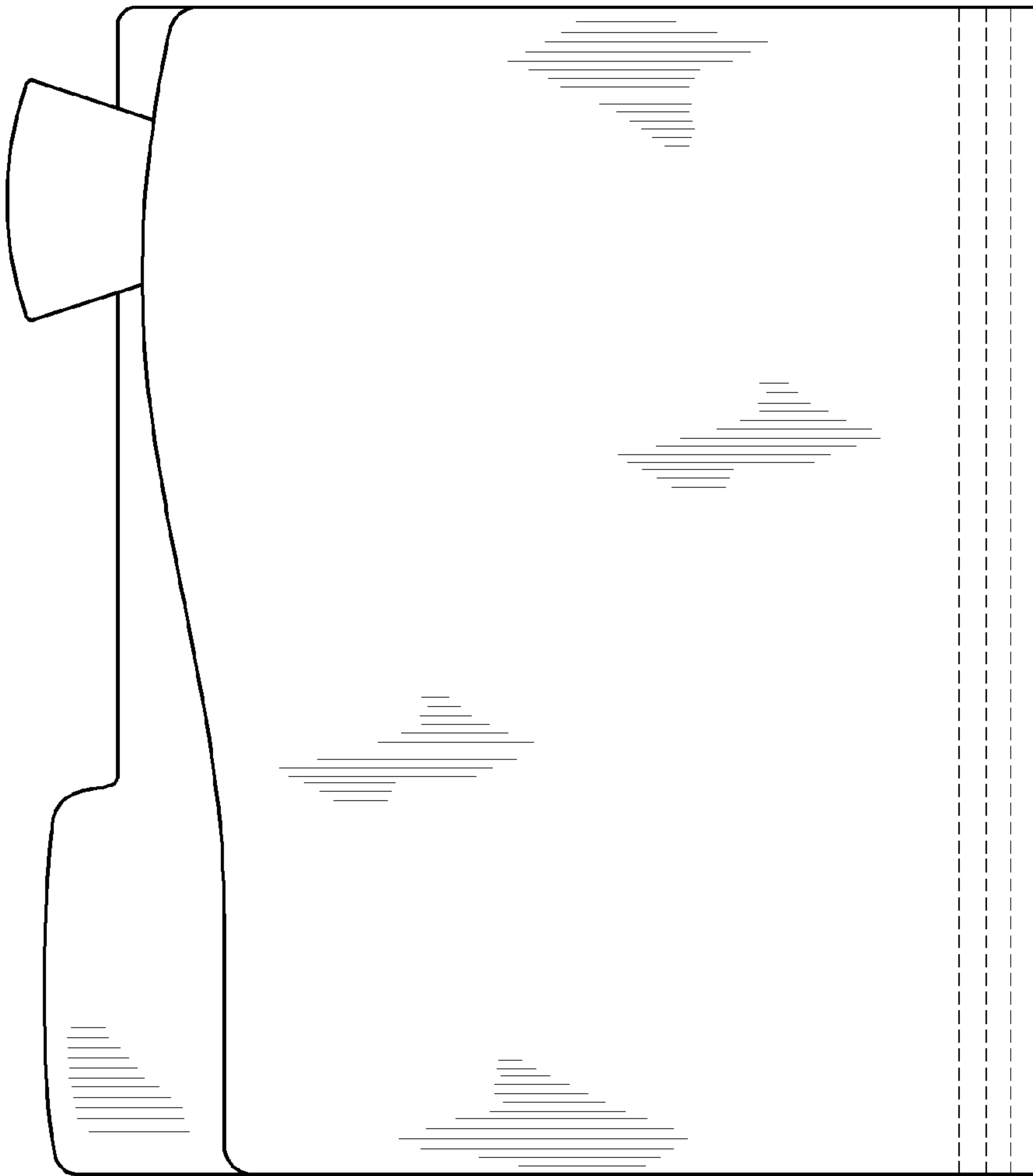
**1 Claim, 32 Drawing Sheets**



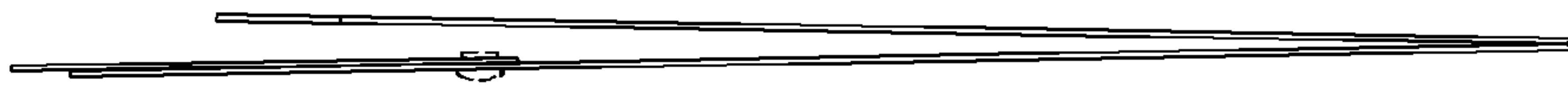
**FIG. 1**



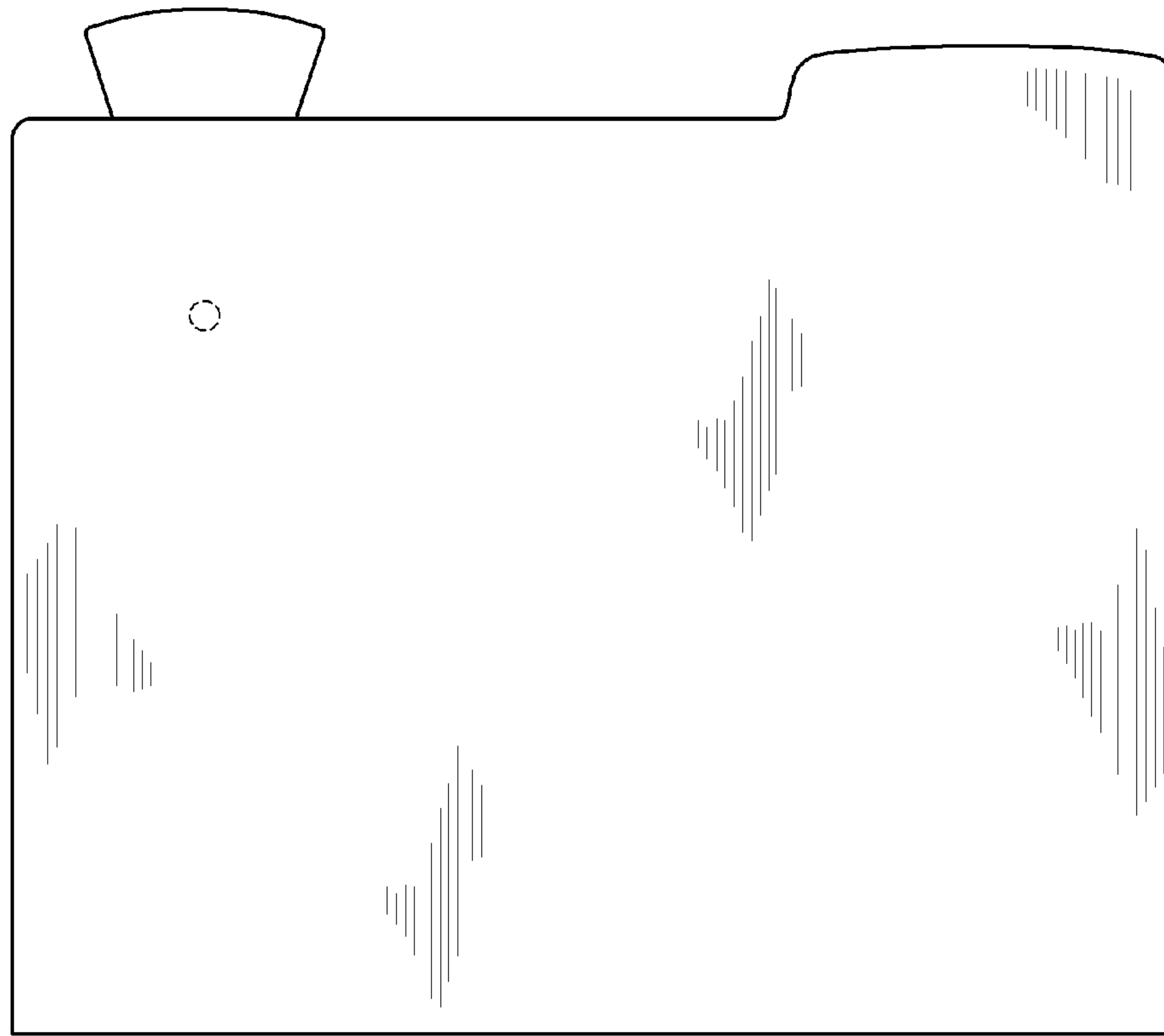
**FIG. 4**



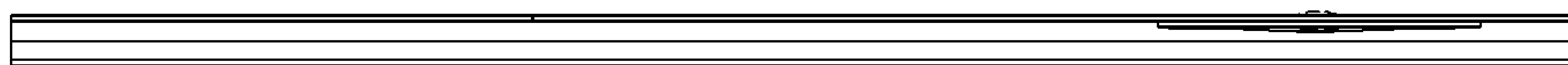
**FIG. 2**



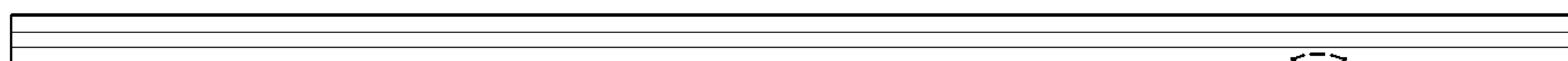
**FIG. 3**



**FIG. 5**

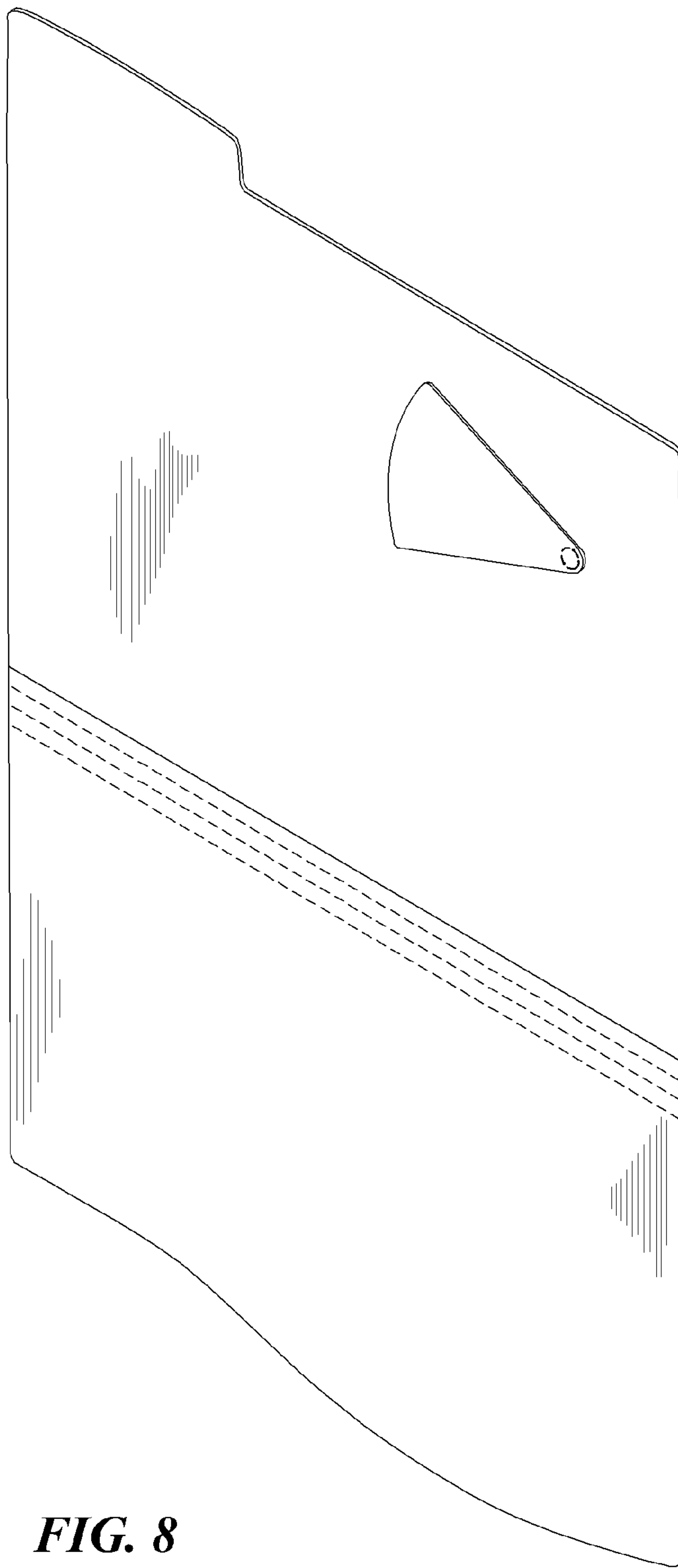


**FIG. 6**

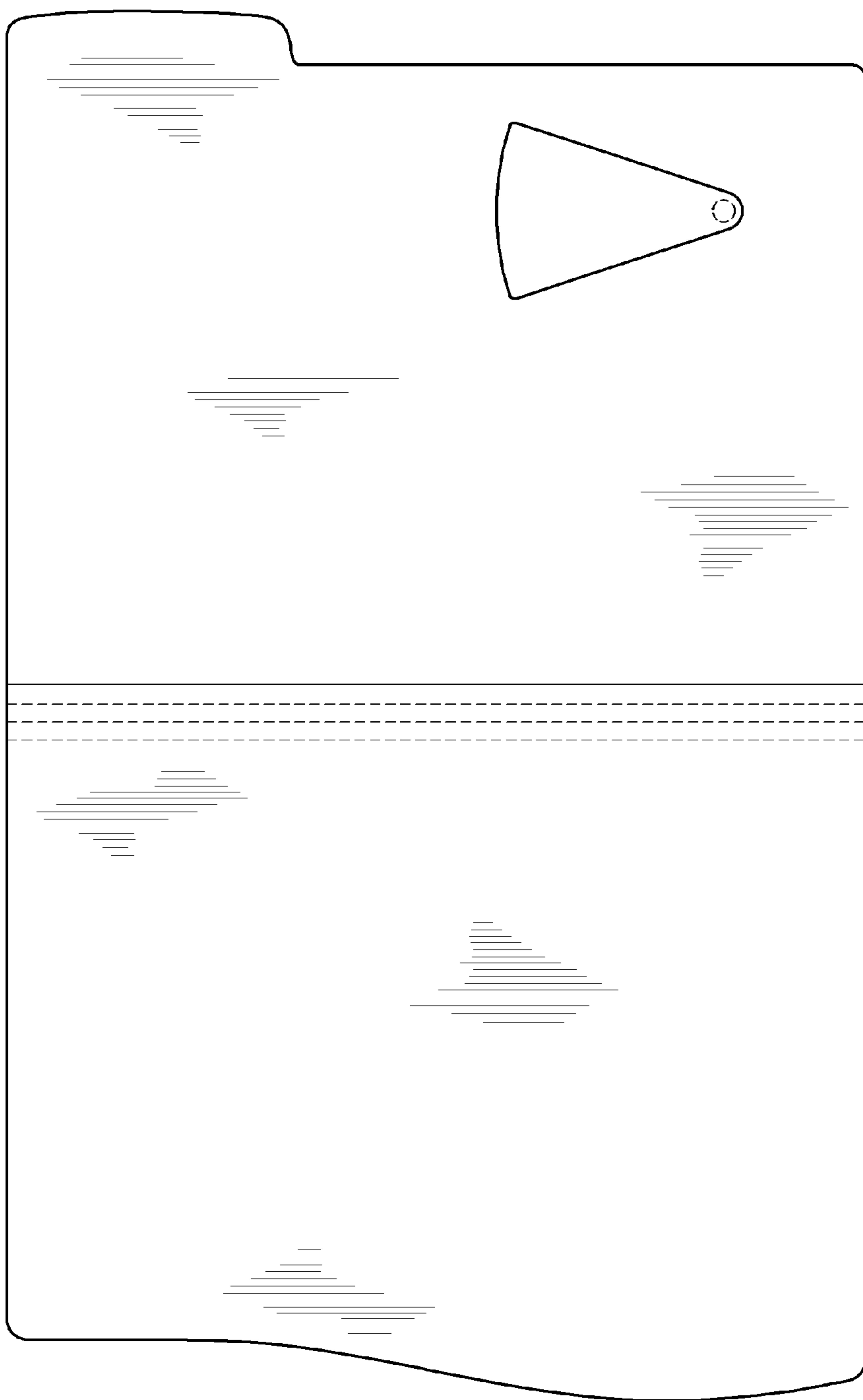


**FIG. 7**



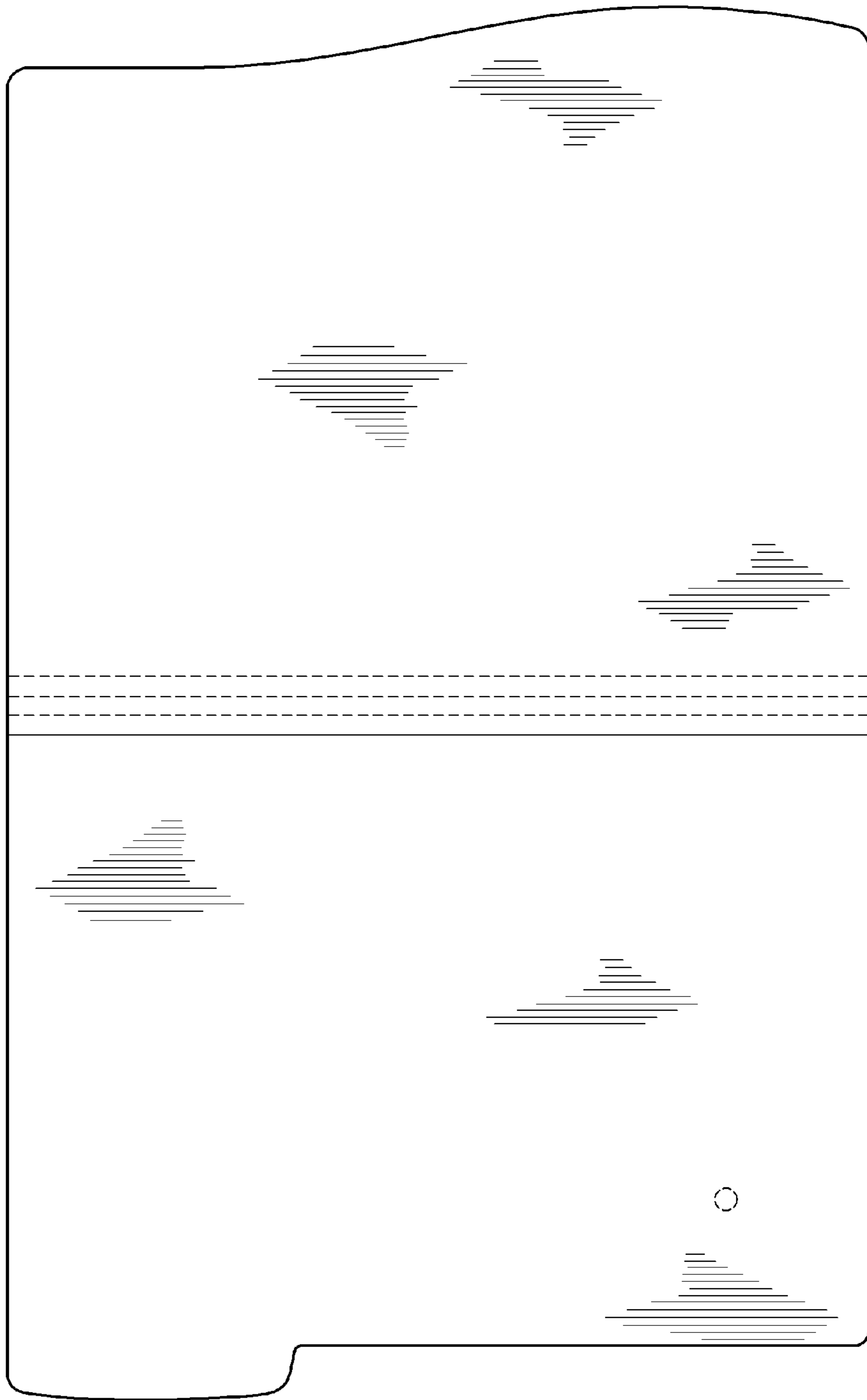


**FIG. 8**



**FIG. 9**

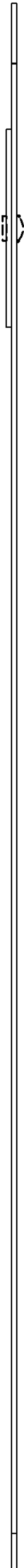




**FIG. 10**



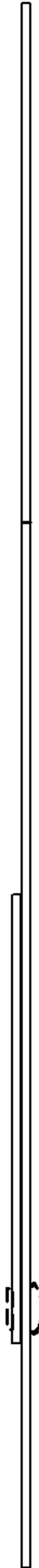
**FIG. 11**



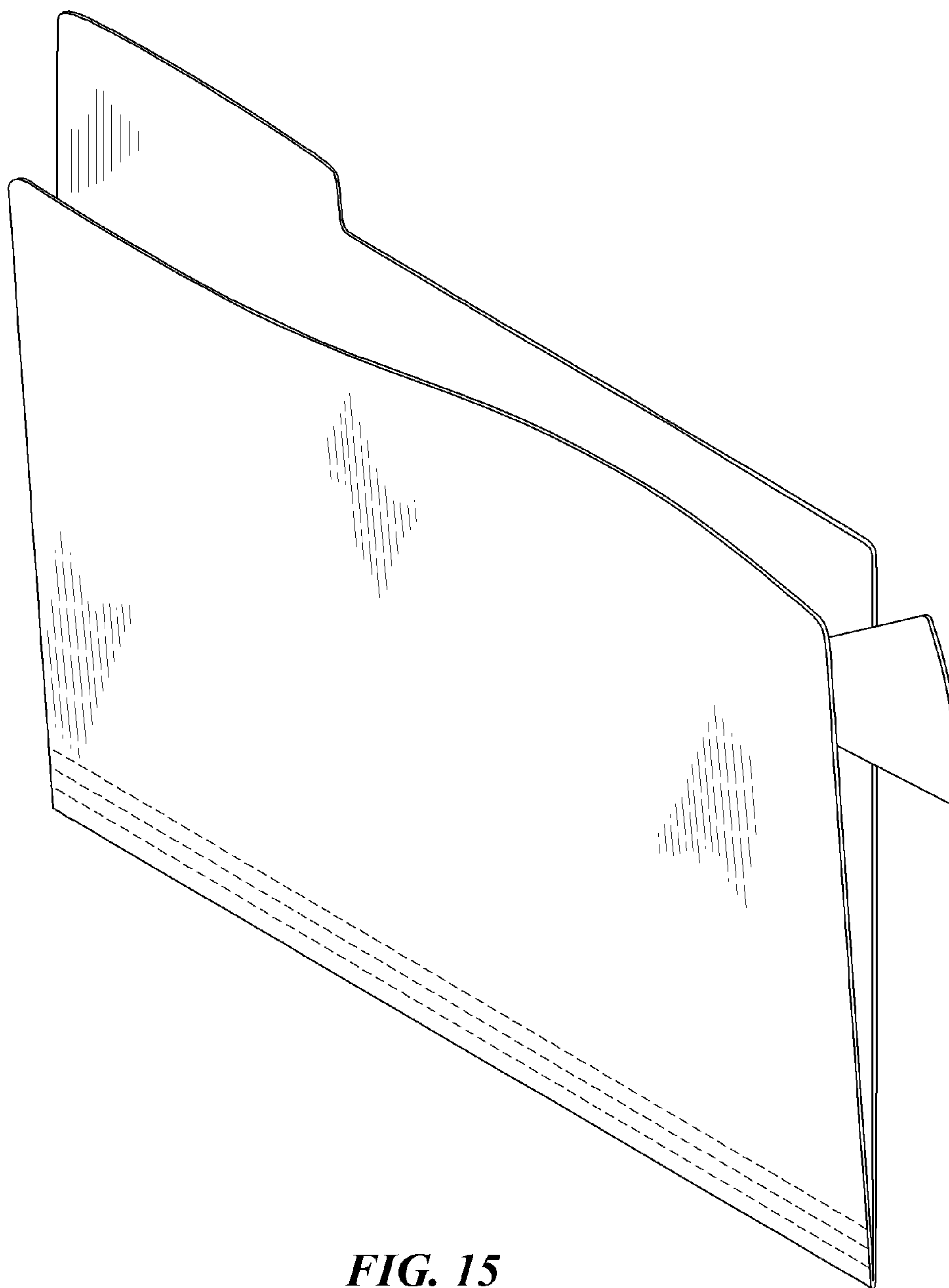
**FIG. 12**



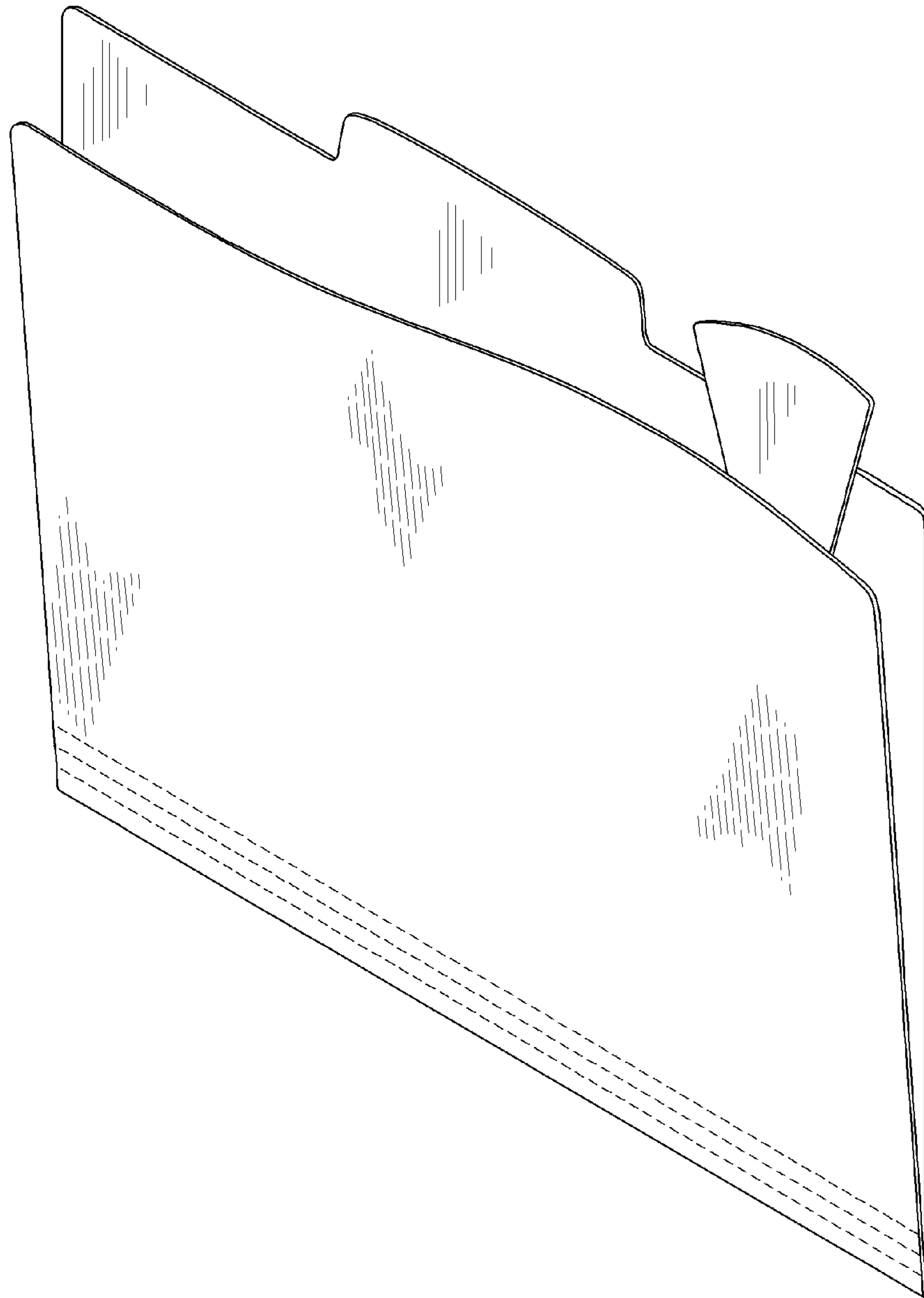
**FIG. 13**



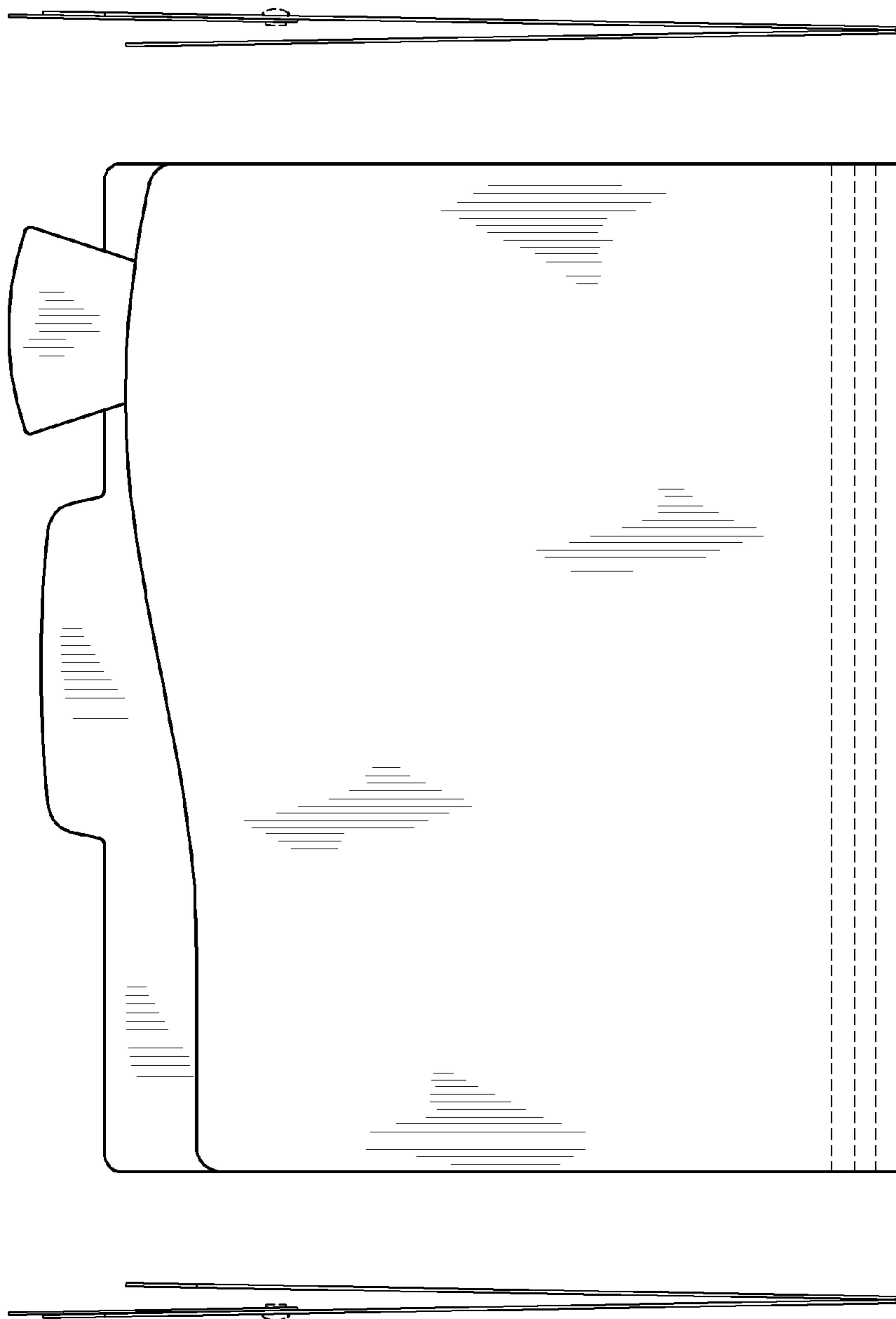
**FIG. 14**



**FIG. 15**



**FIG. 16**

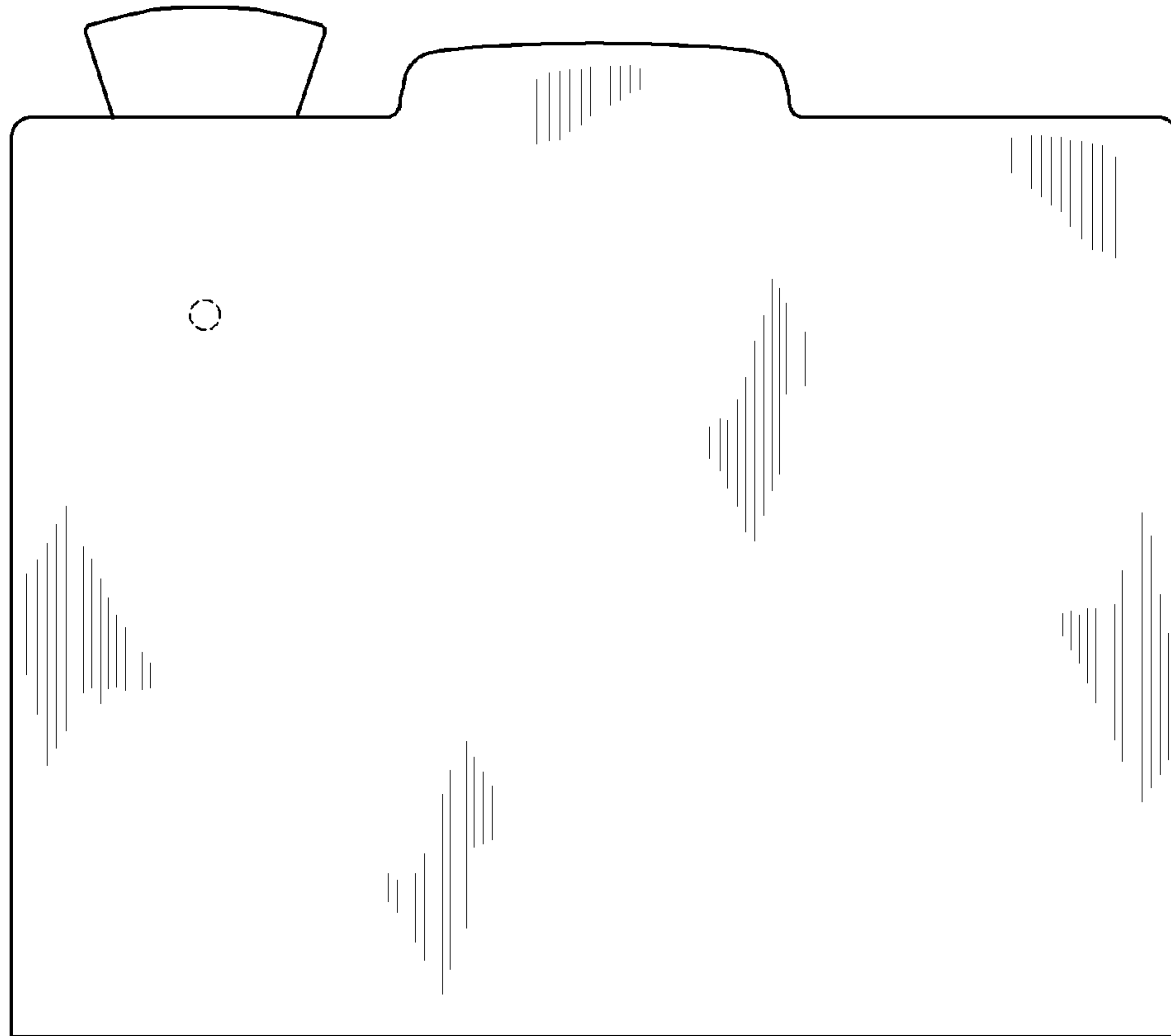


**FIG. 19**

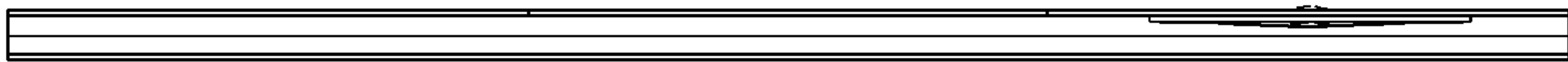
**FIG. 17**

**FIG. 18**

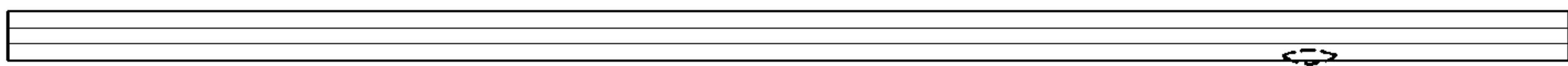




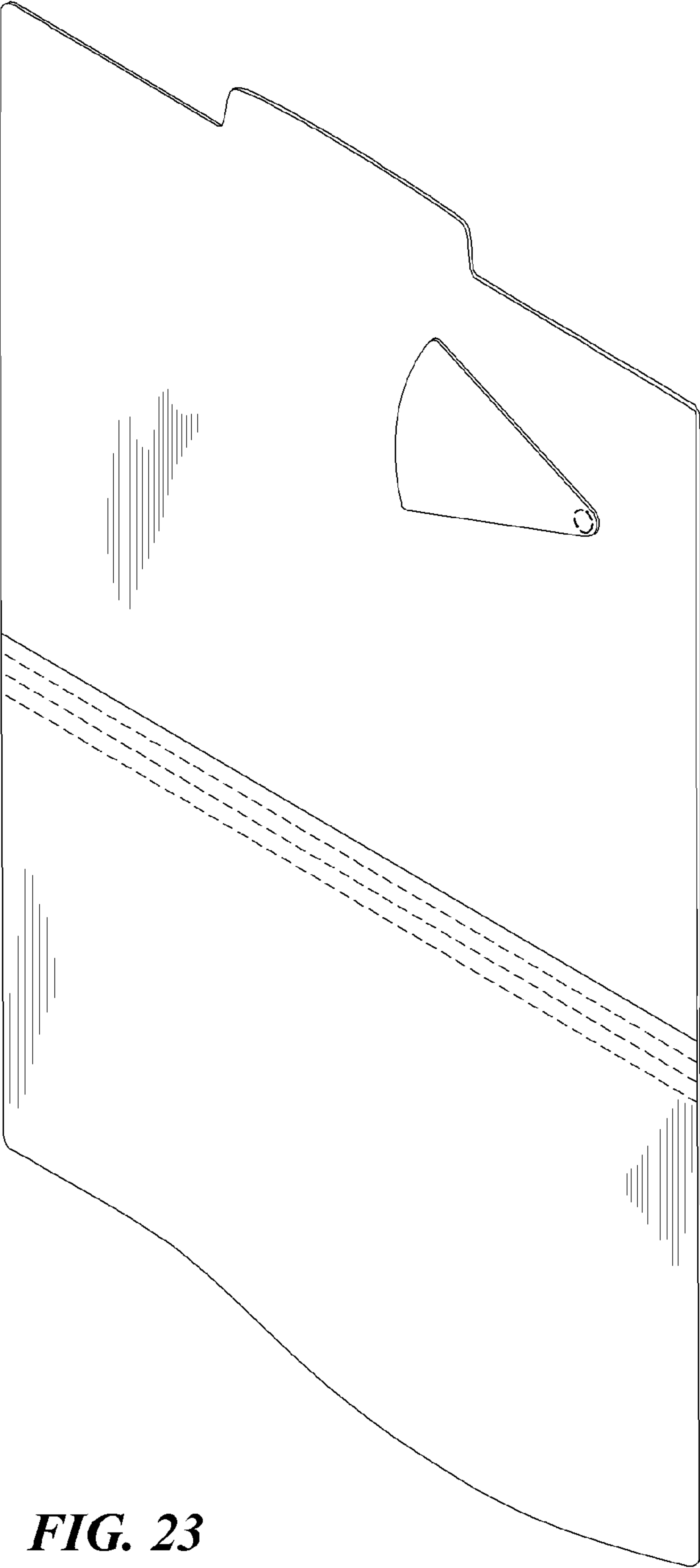
**FIG. 20**



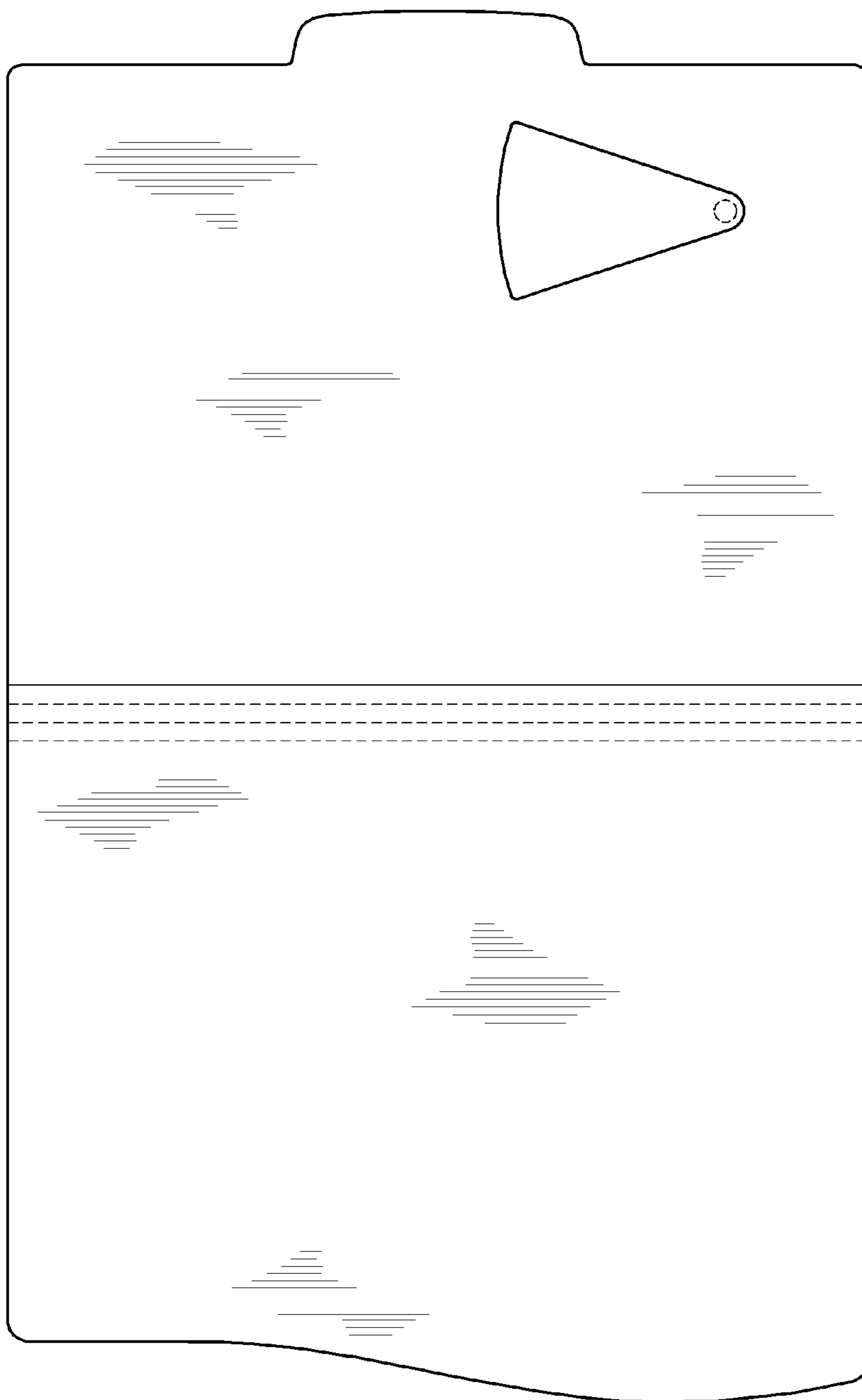
**FIG. 21**



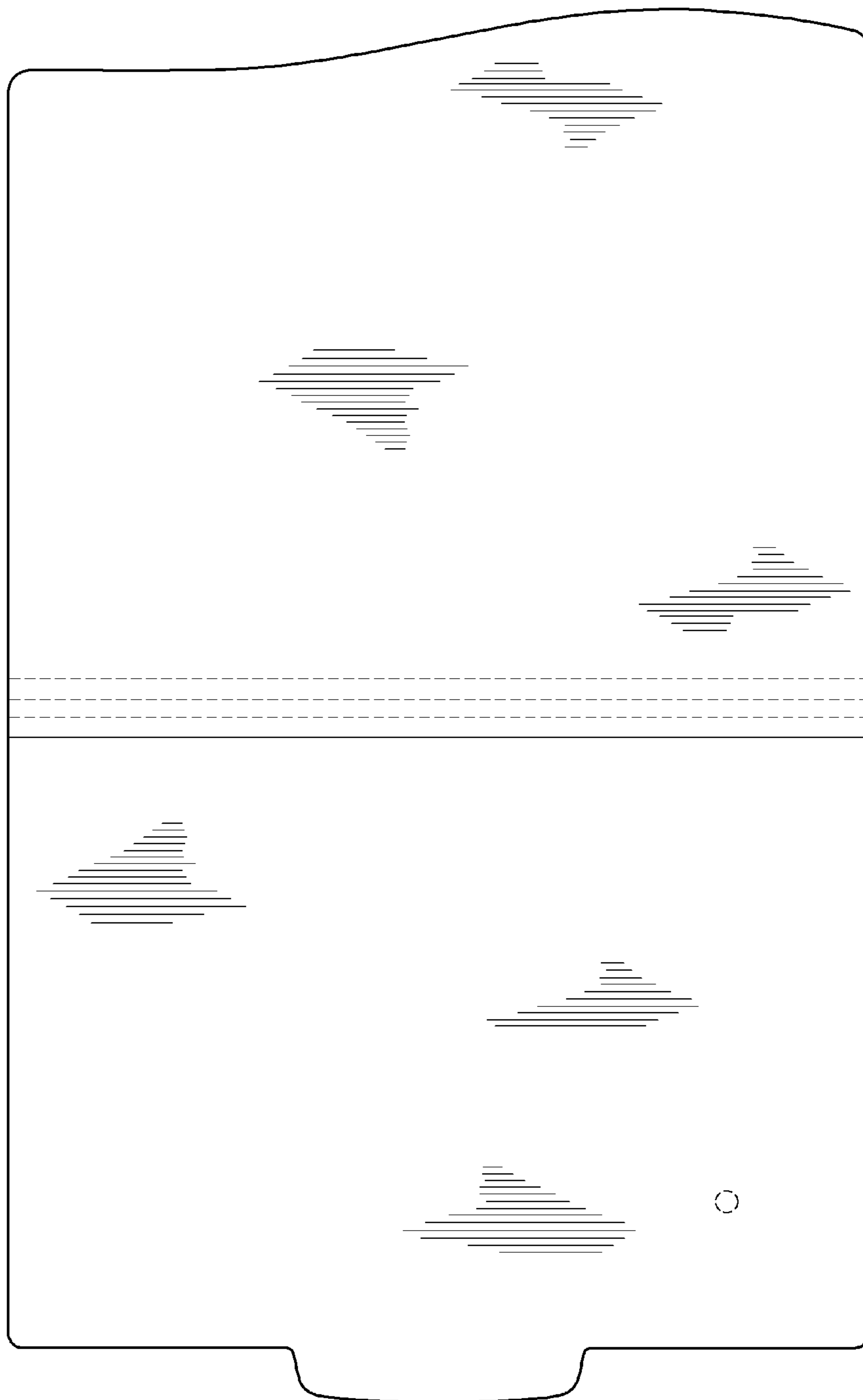
**FIG. 22**



**FIG. 23**



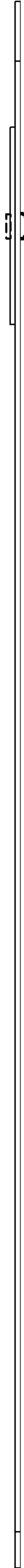
**FIG. 24**



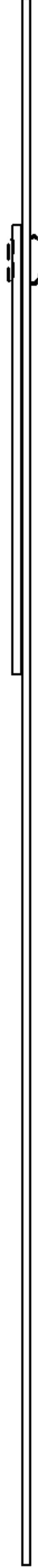
**FIG. 25**



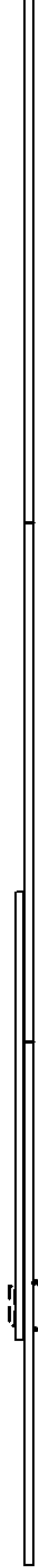
*FIG. 26*



*FIG. 27*

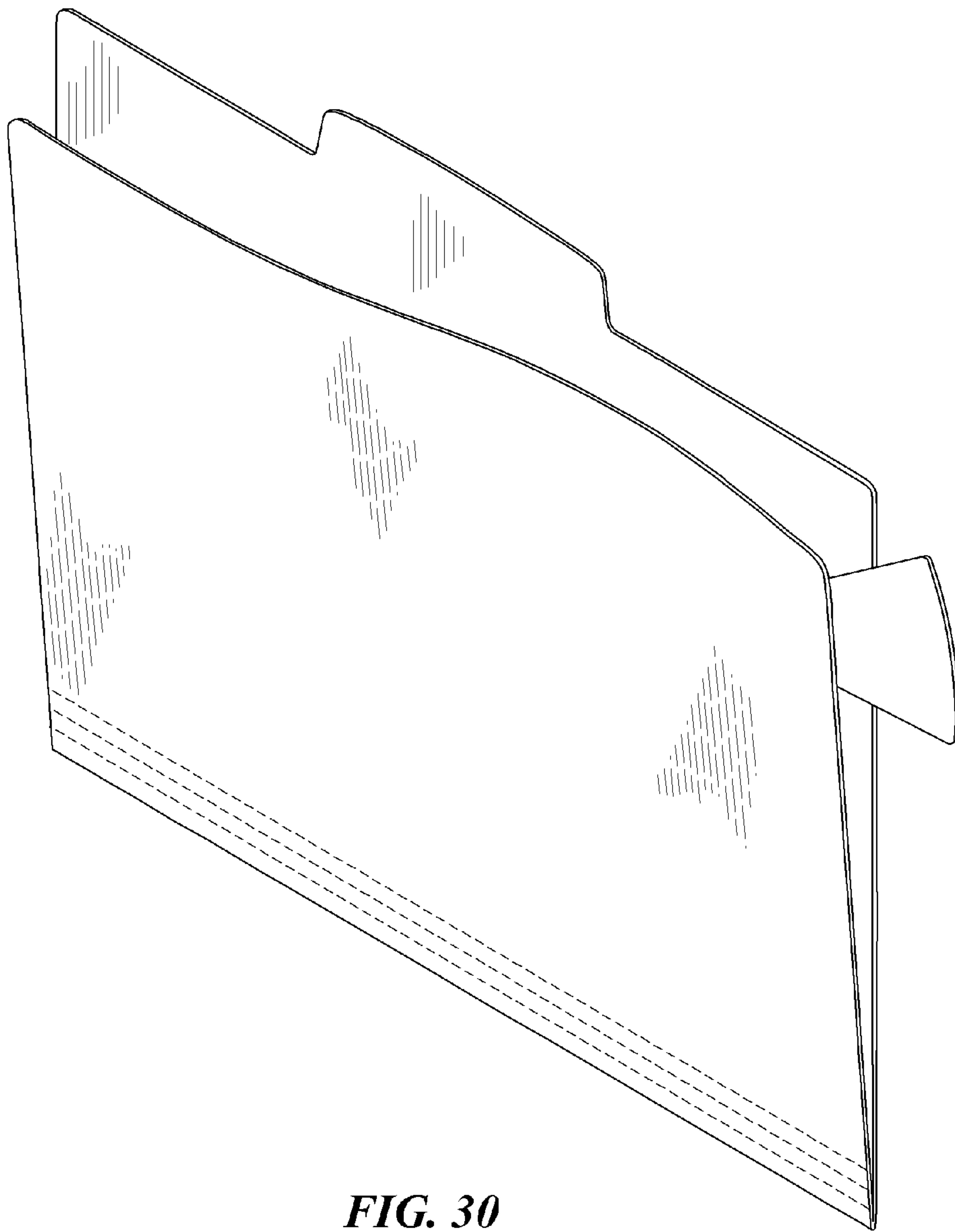


*FIG. 28*

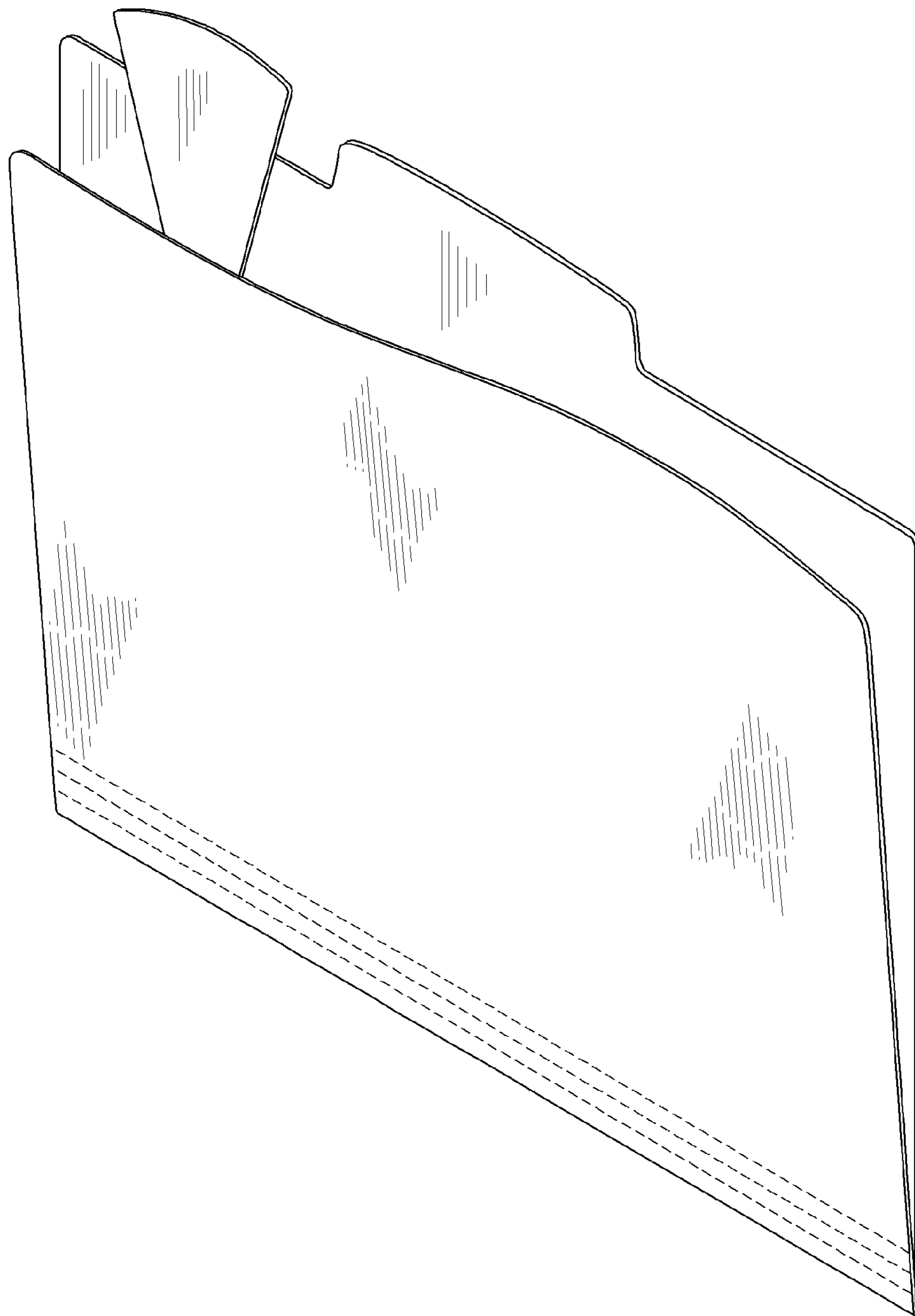


*FIG. 29*

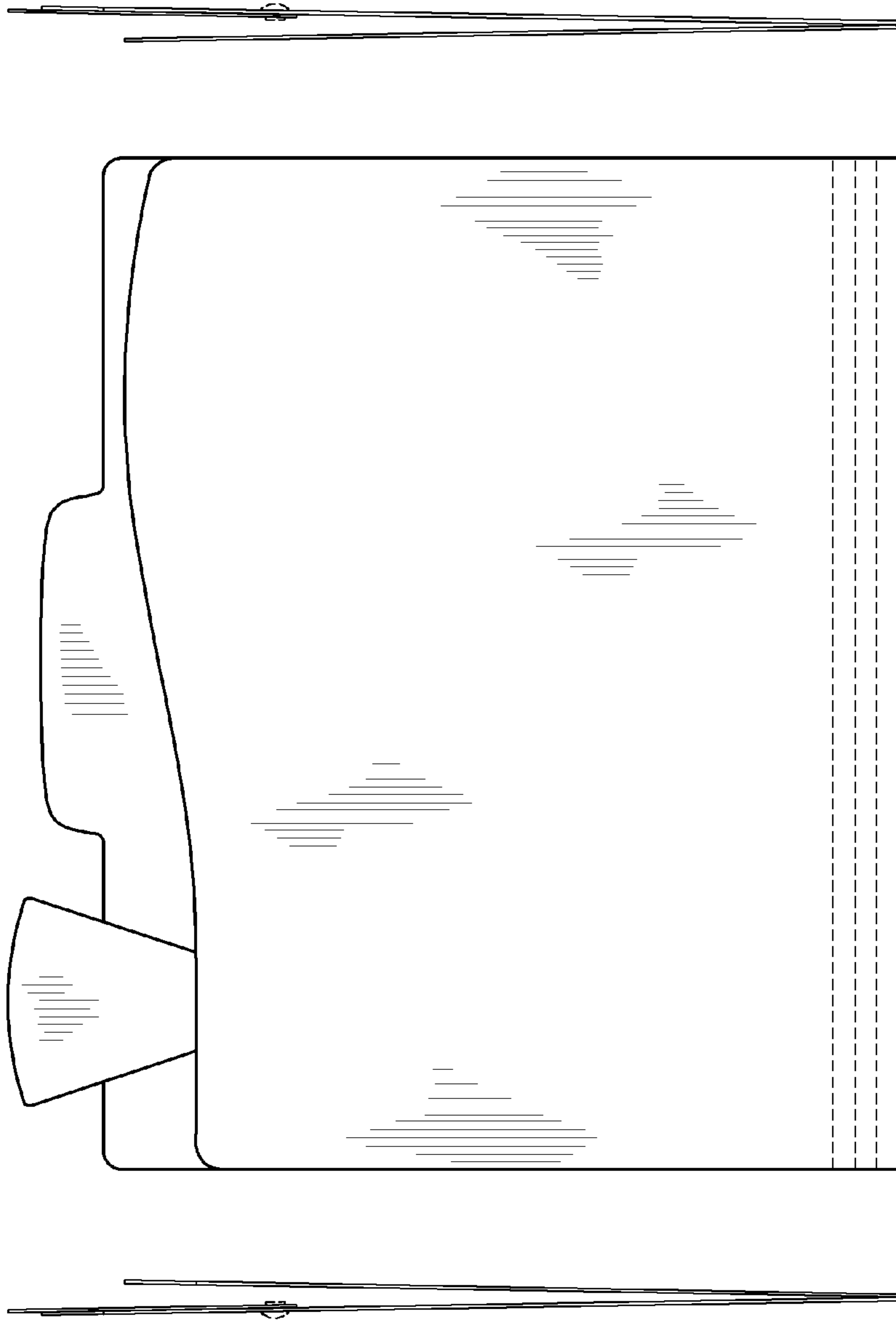




**FIG. 30**



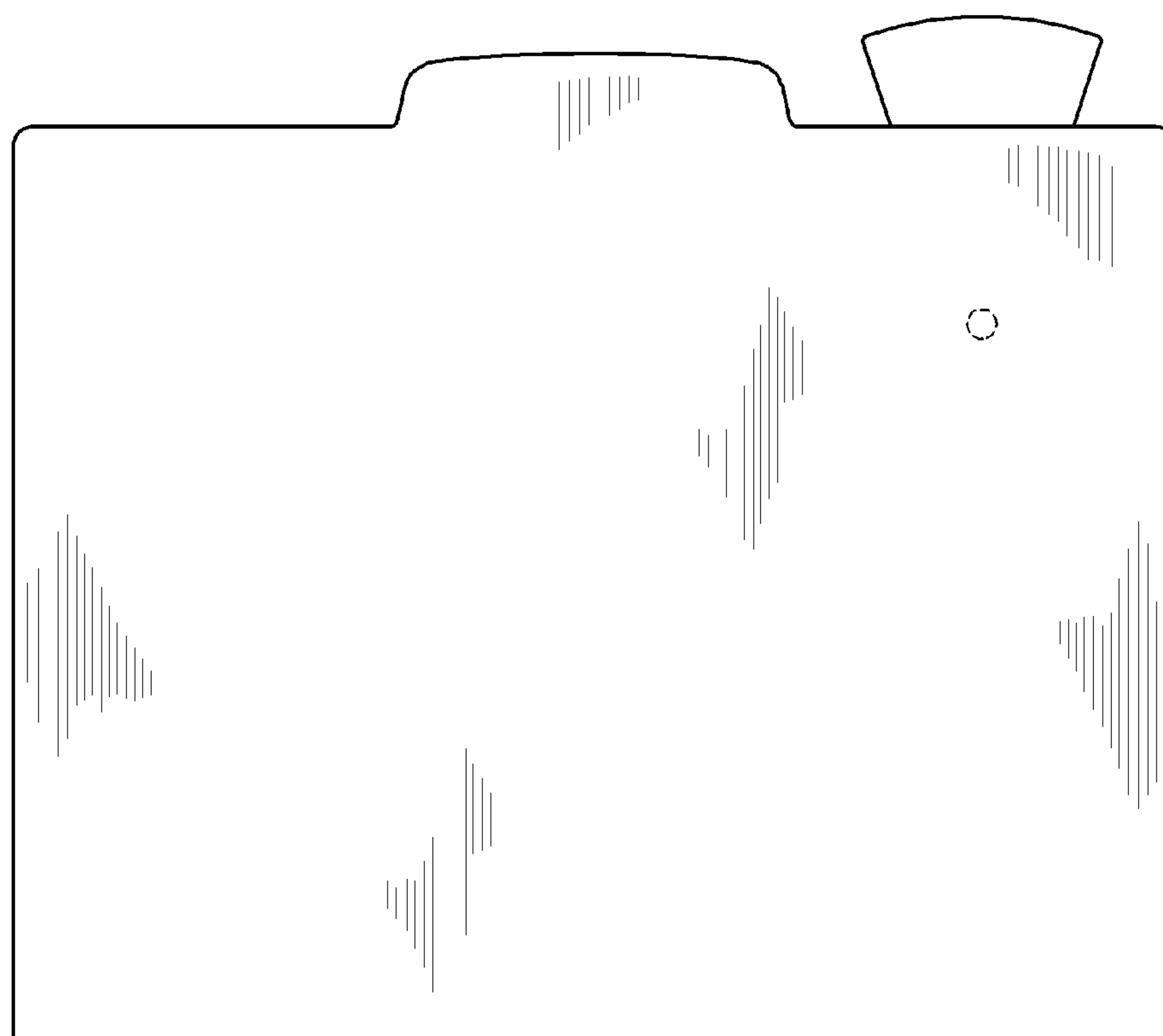
**FIG. 31**



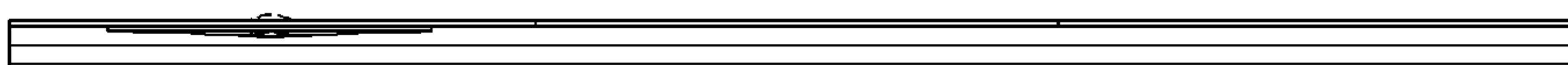
**FIG. 34**

**FIG. 32**

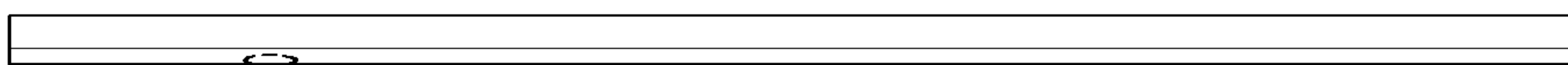
**FIG. 33**



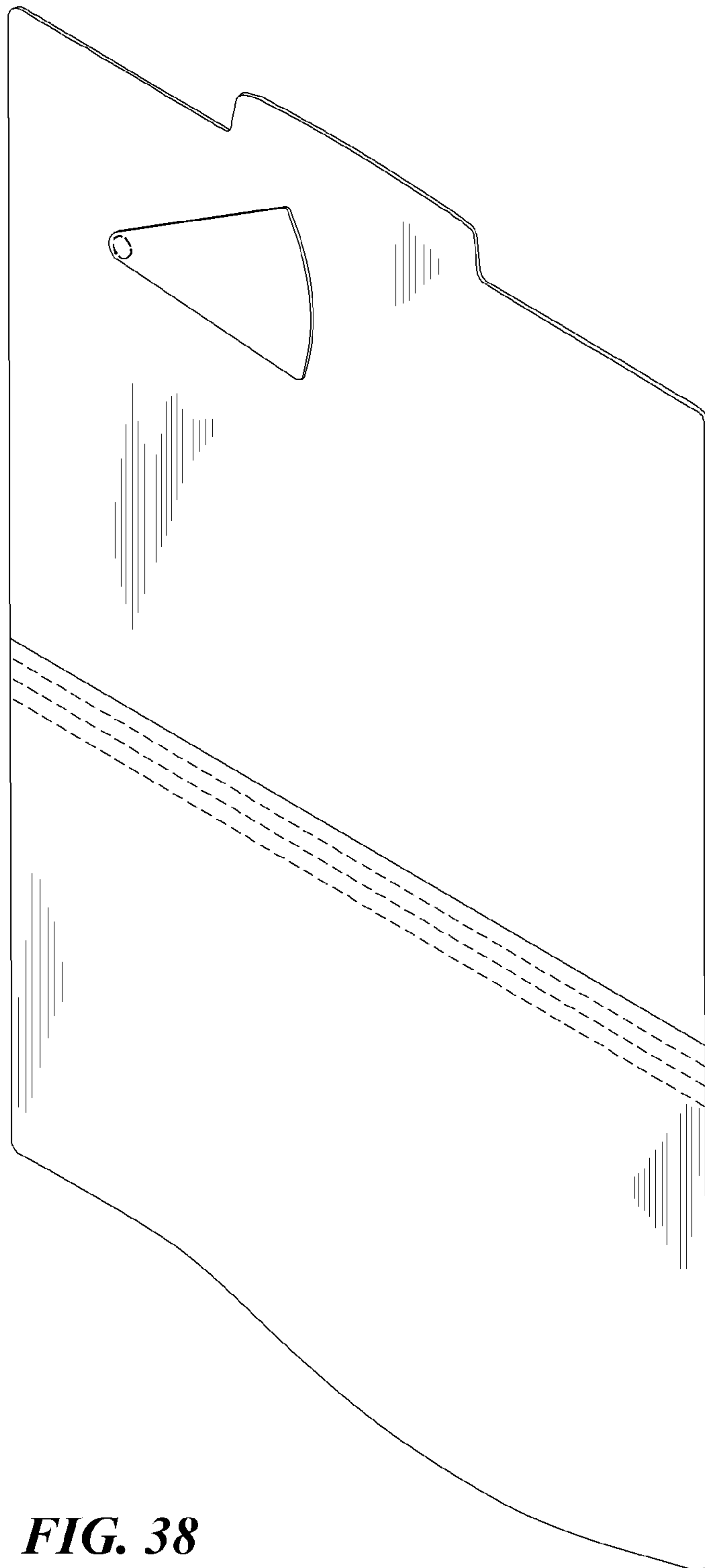
**FIG. 35**



**FIG. 36**

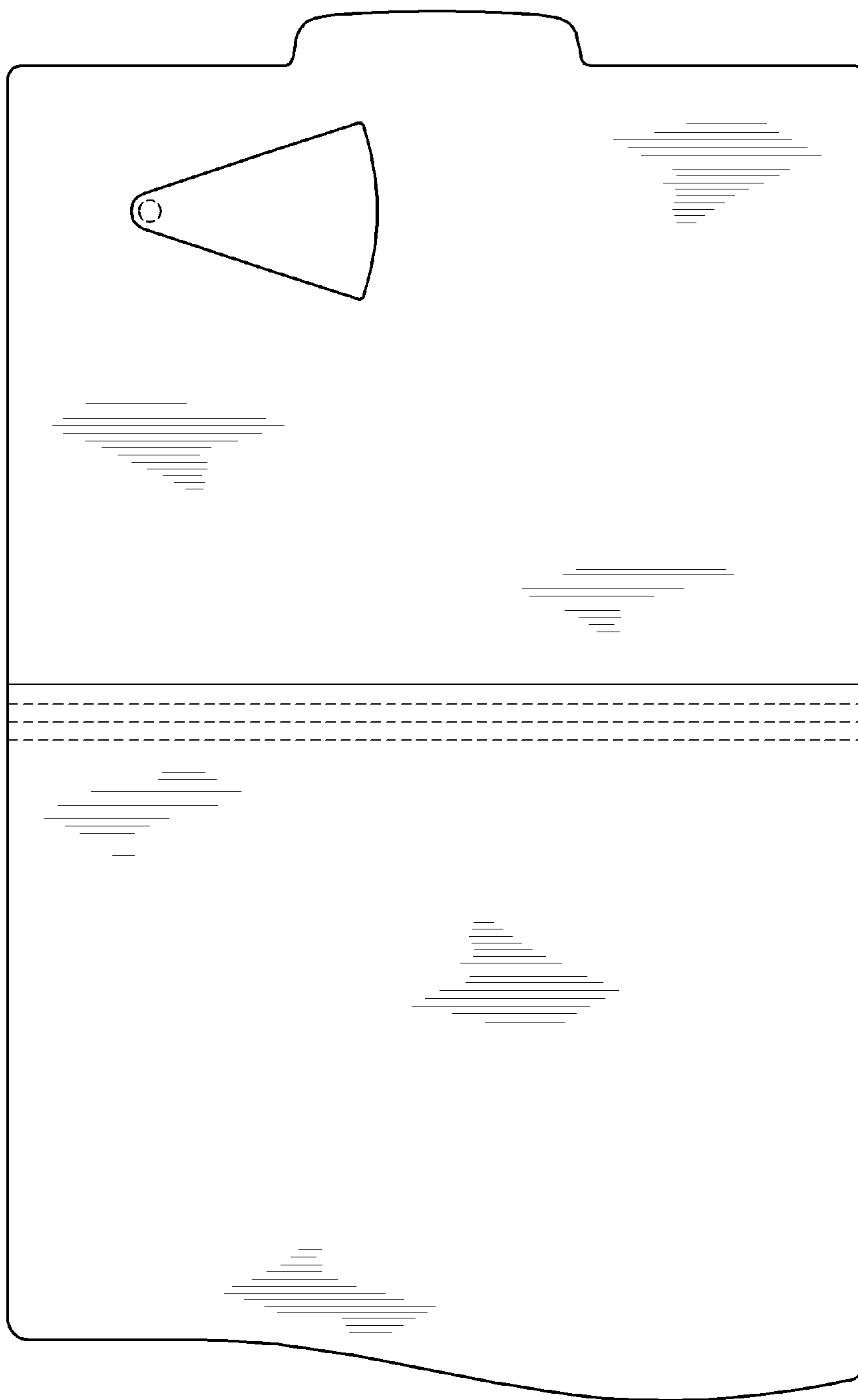


**FIG. 37**

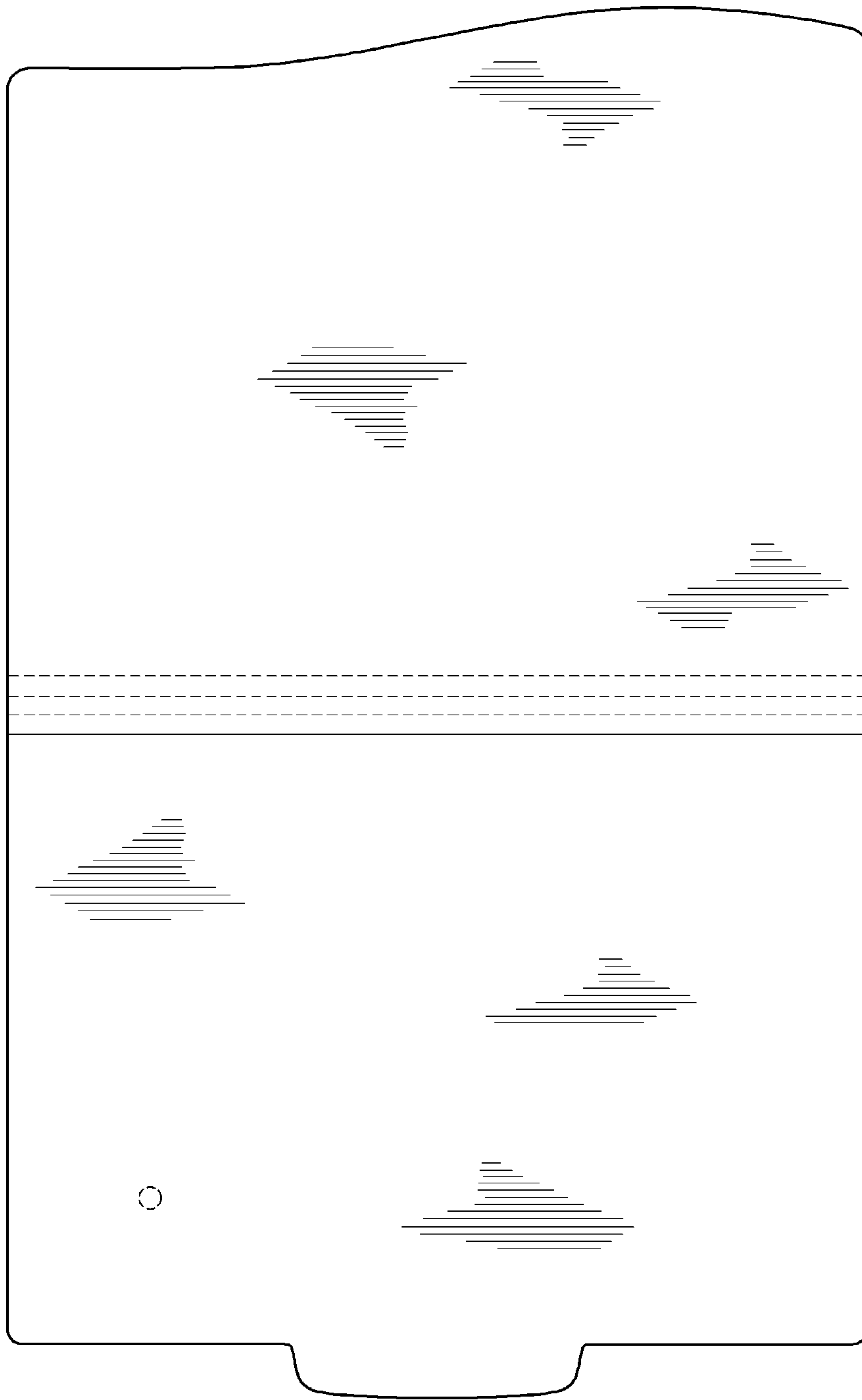


**FIG. 38**





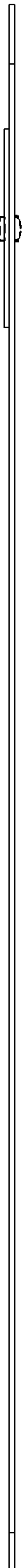
**FIG. 39**



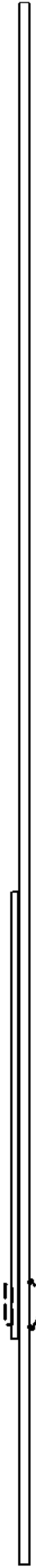
**FIG. 40**



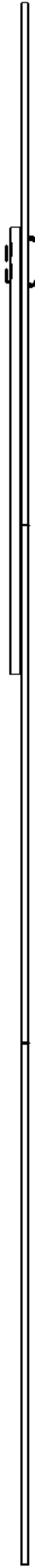
*FIG. 41*



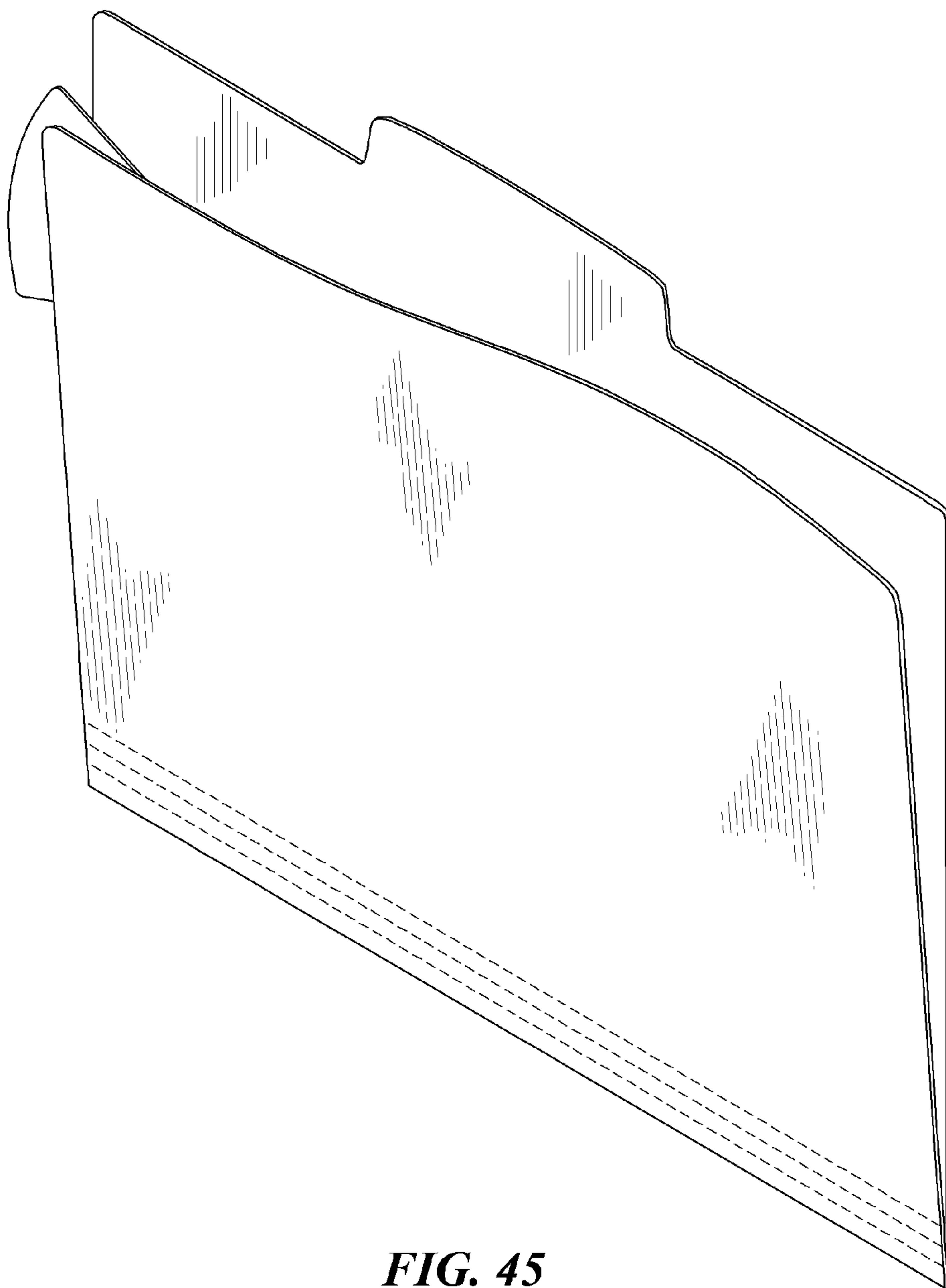
*FIG. 42*



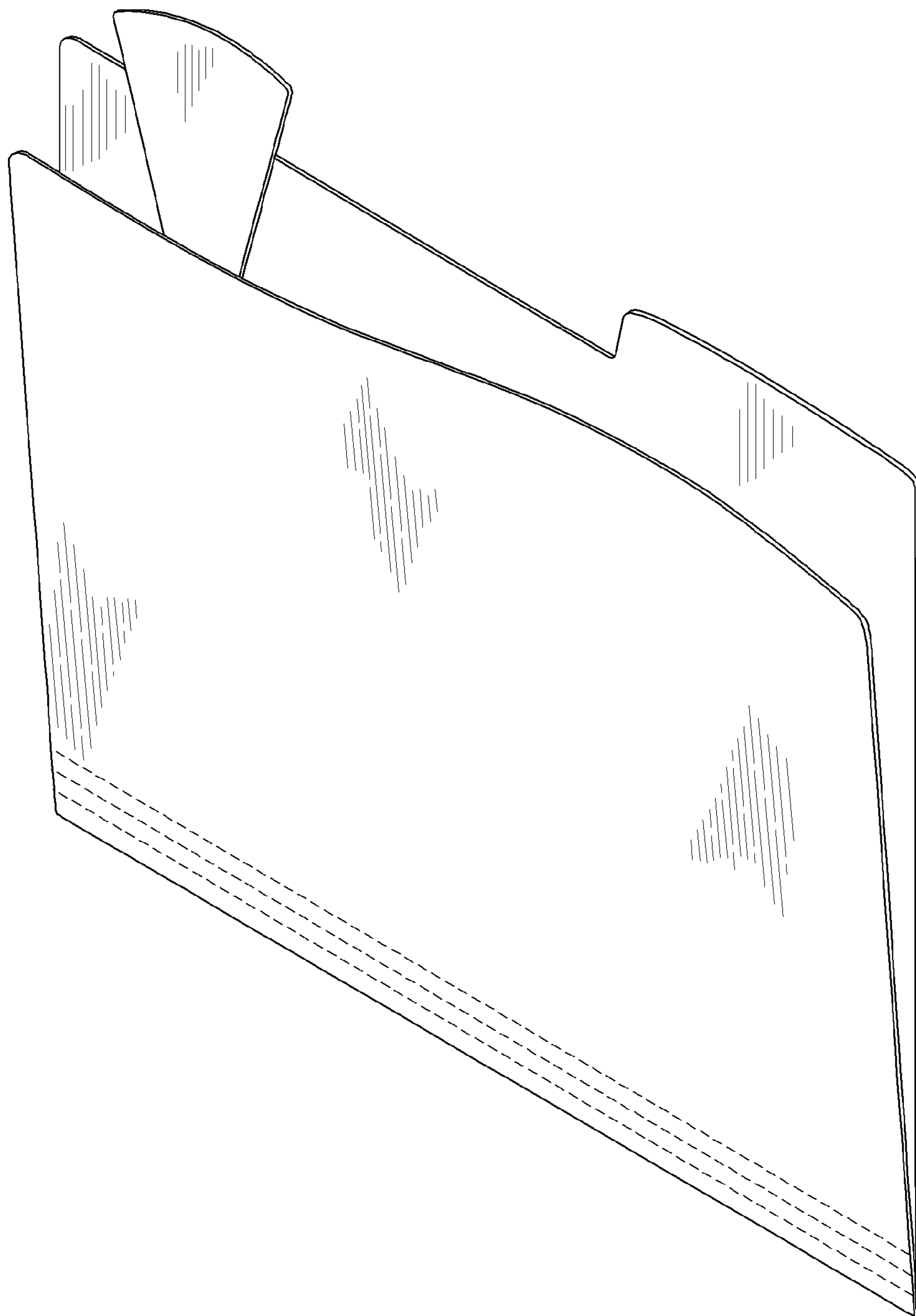
*FIG. 43*



*FIG. 44*

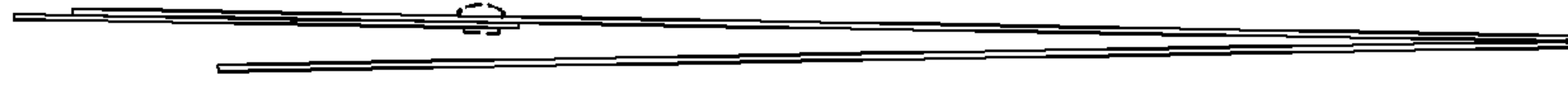


**FIG. 45**

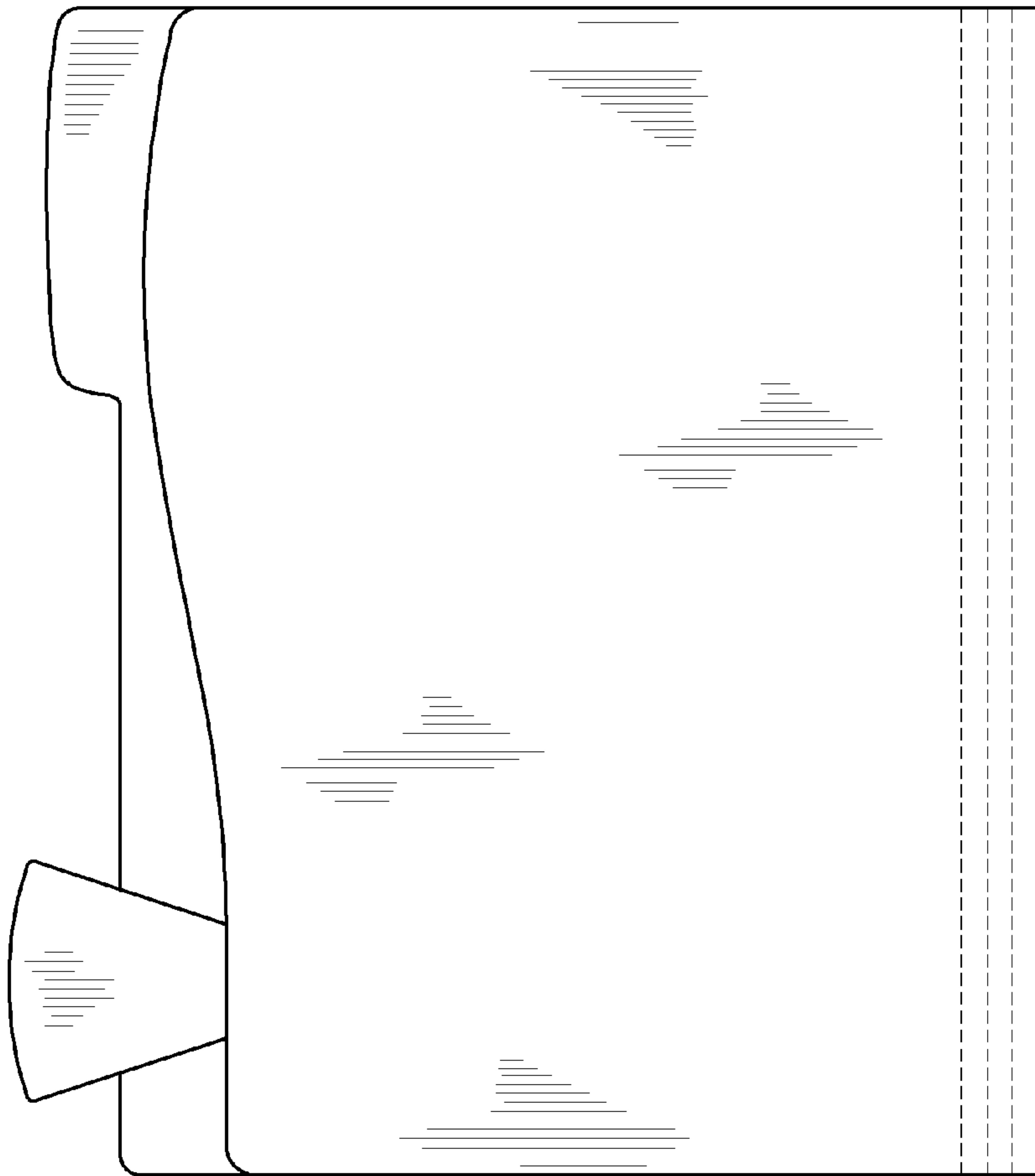


**FIG. 46**

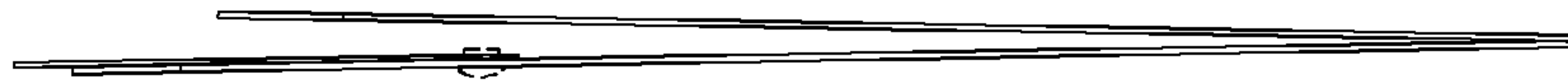




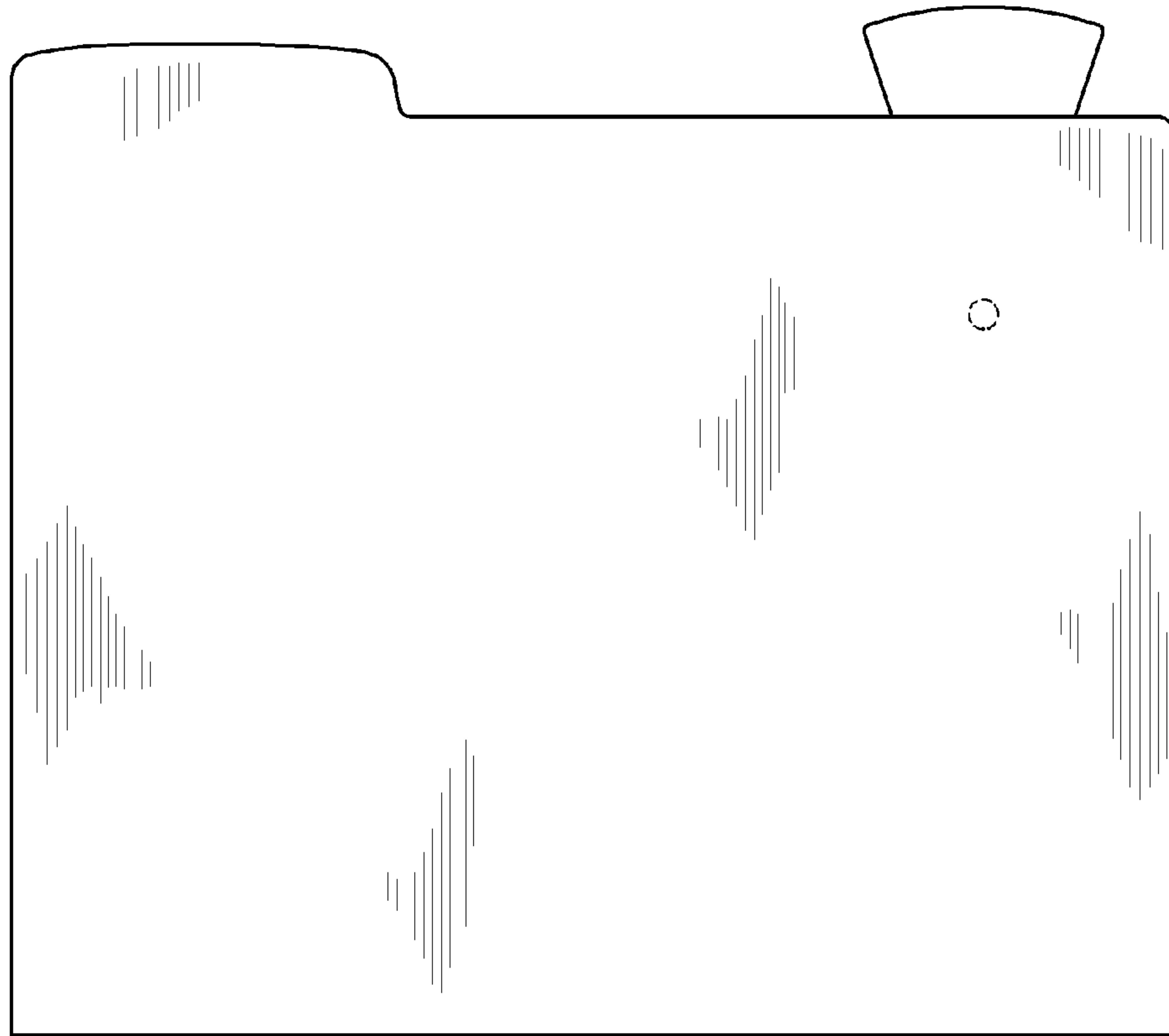
**FIG. 49**



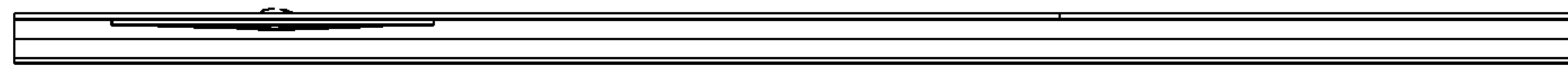
**FIG. 47**



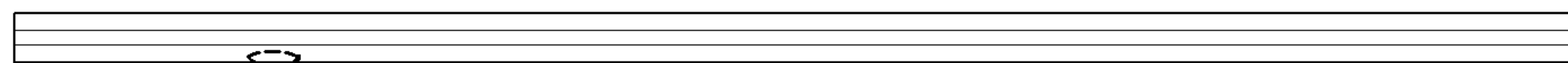
**FIG. 48**



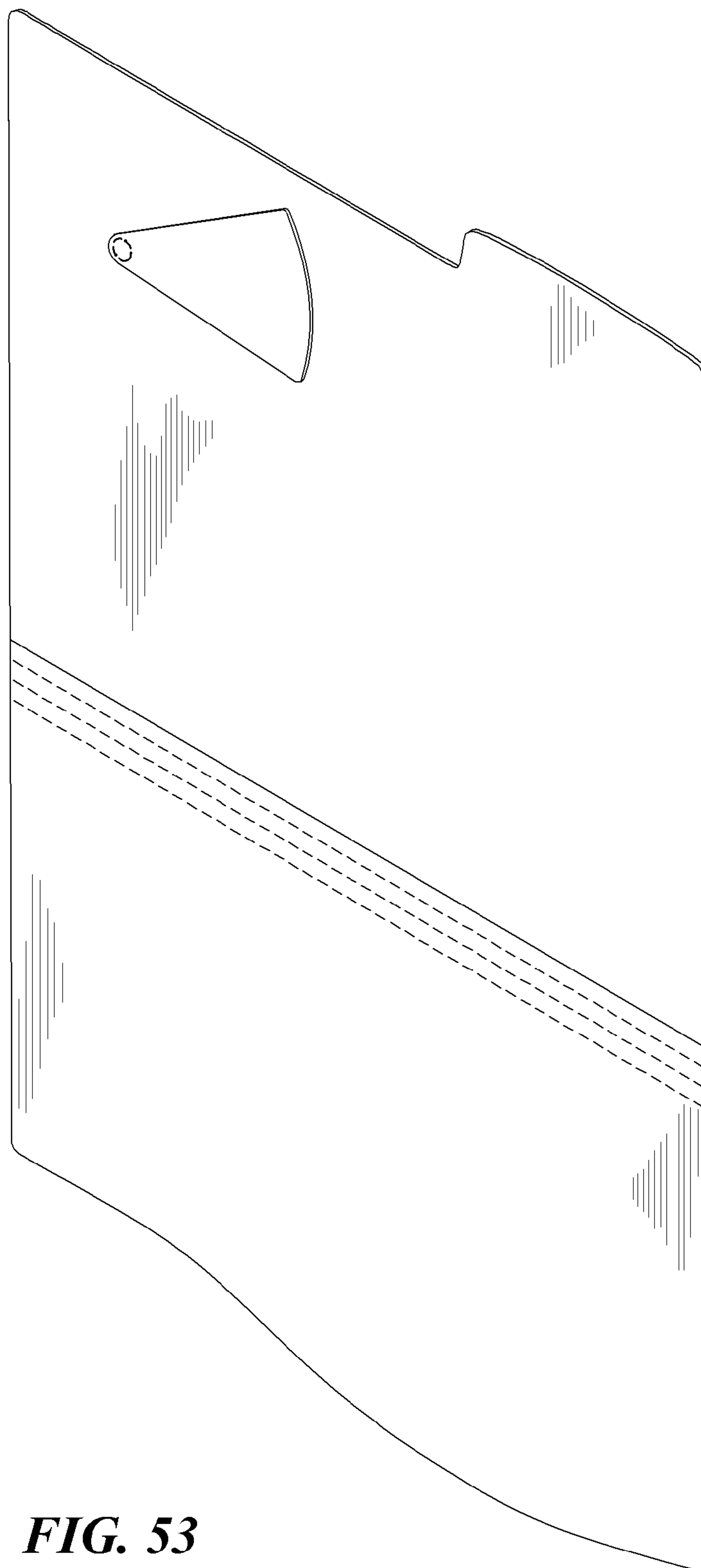
**FIG. 50**



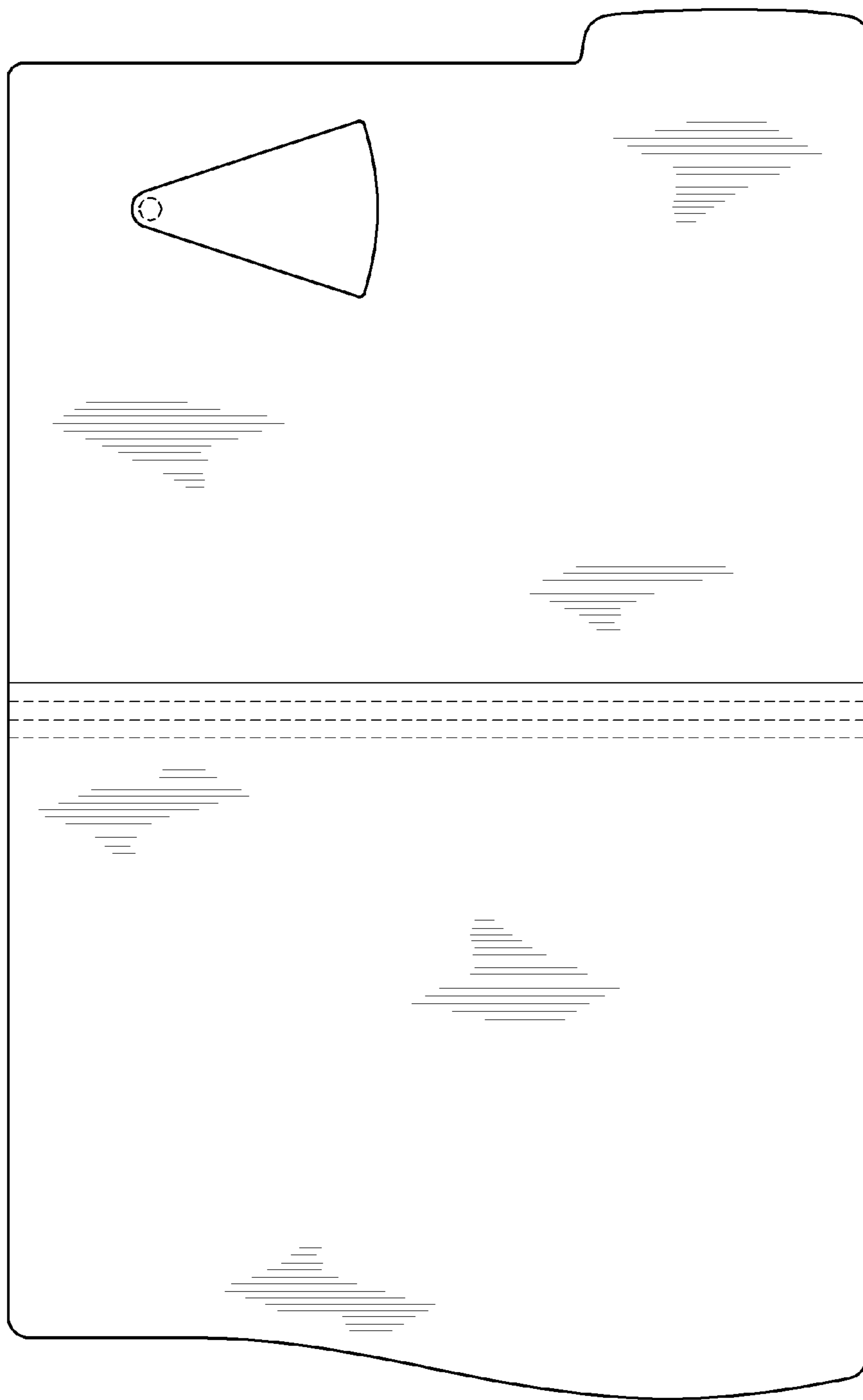
**FIG. 51**



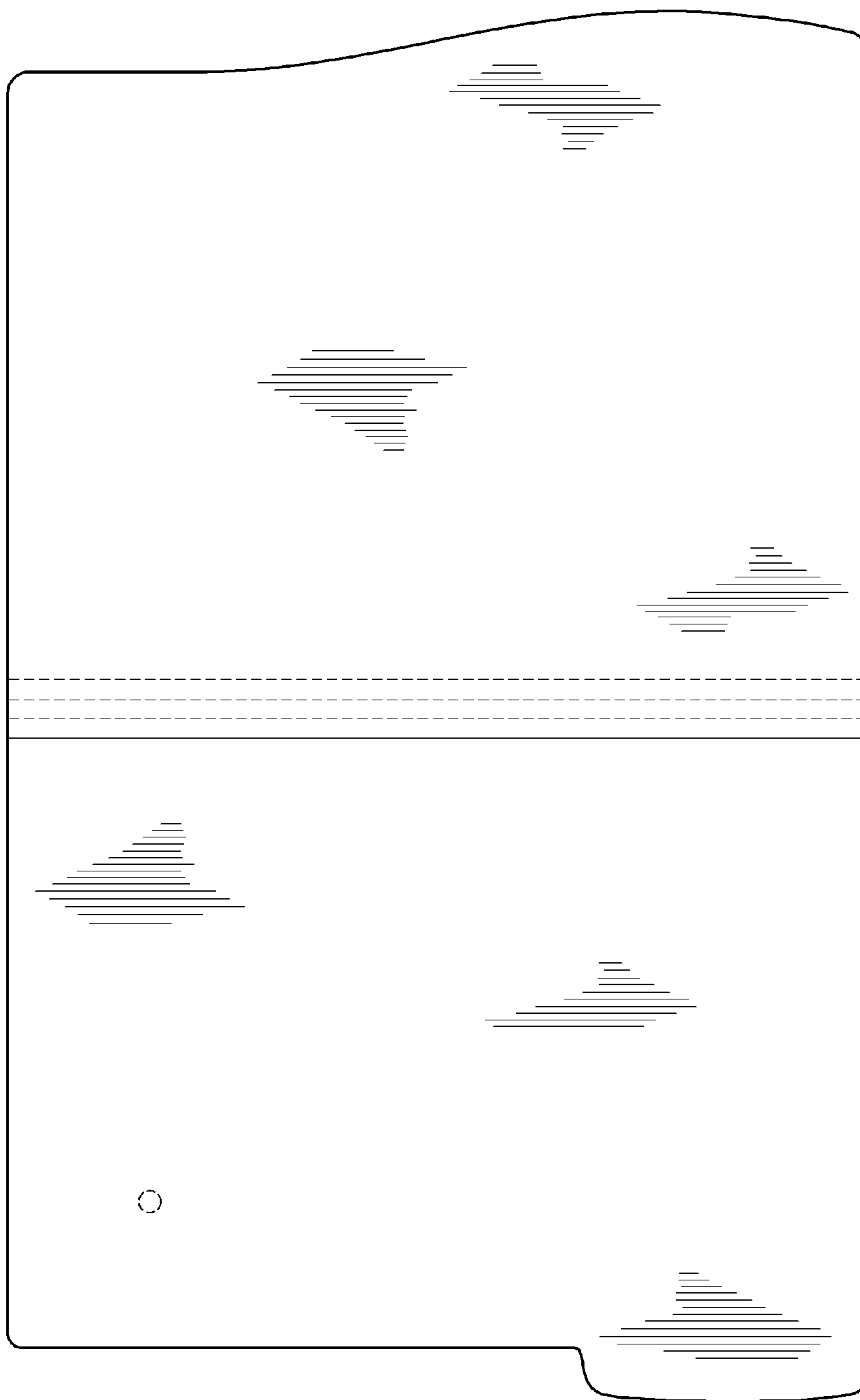
**FIG. 52**



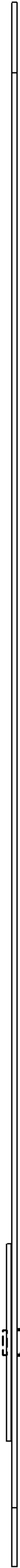
**FIG. 53**



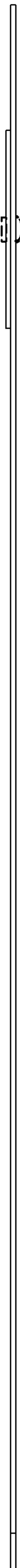
**FIG. 54**



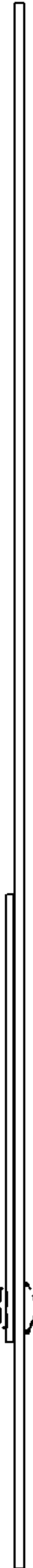
**FIG. 55**



*FIG. 56*



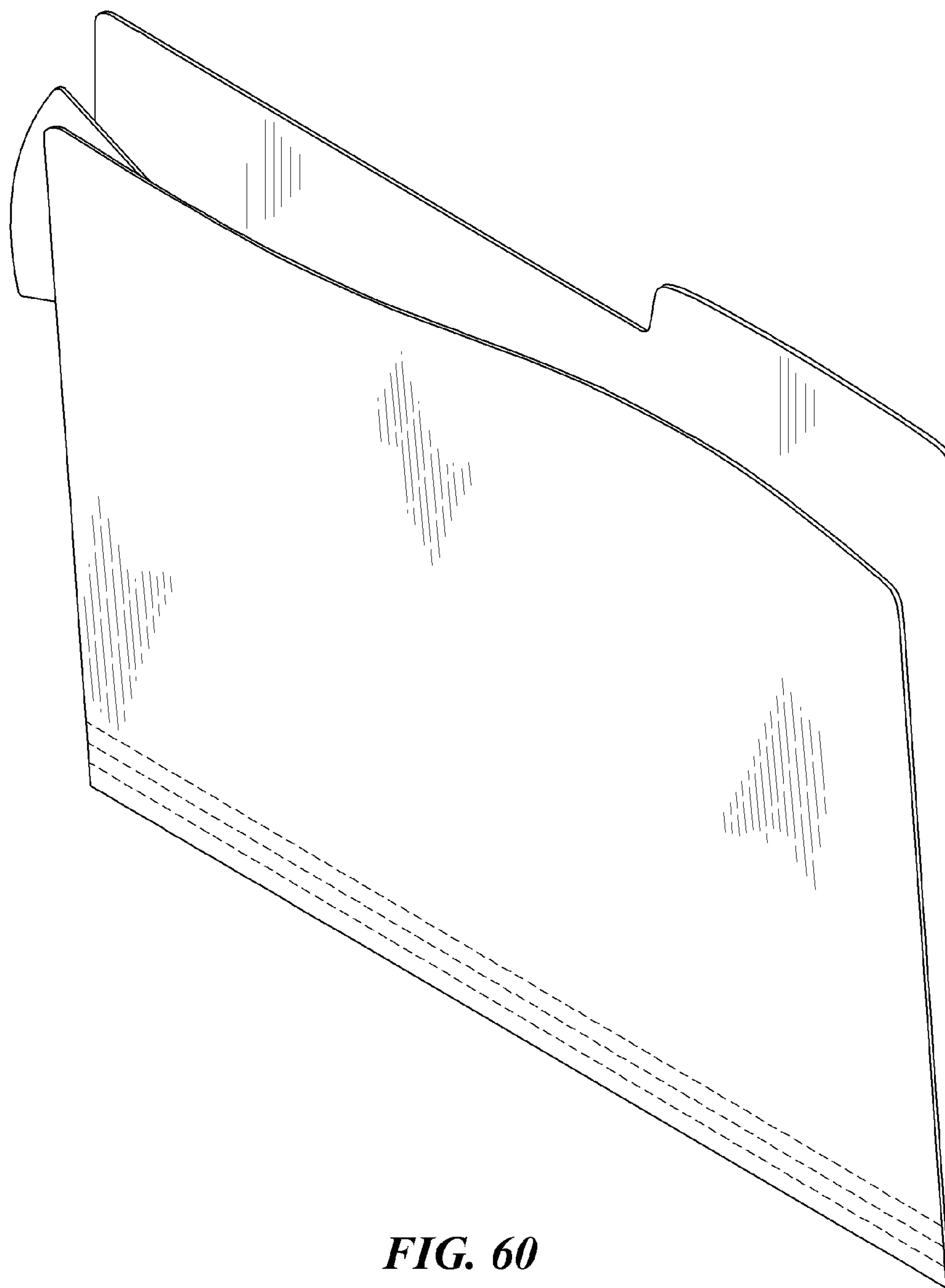
*FIG. 57*



*FIG. 58*



*FIG. 59*



**FIG. 60**