



US00D682931S

(12) **United States Design Patent**
Aoki et al.

(10) **Patent No.:** **US D682,931 S**

(45) **Date of Patent:** **** *May 21, 2013**

(54) **INK CARTRIDGE**

(75) Inventors: **Yuji Aoki**, Matsumoto (JP); **Hiroshi Sato**, Nirasaki (JP); **Masahiro Karasawa**, Matsumoto (JP)

(73) Assignee: **Seiko Epson Corporation**, Tokyo (JP)

(*) Notice: This patent is subject to a terminal disclaimer.

(**) Term: **14 Years**

(21) Appl. No.: **29/419,678**

(22) Filed: **May 1, 2012**

(30) **Foreign Application Priority Data**

Jan. 31, 2012 (JP) 2012-001902

(51) **LOC (9) Cl.** **18-02**

(52) **U.S. Cl.**
USPC **D18/56**

(58) **Field of Classification Search** D18/56;
347/86-87

See application file for complete search history.

(56) **References Cited**

U.S. PATENT DOCUMENTS

D465,516 S *	11/2002	Shinada et al.	D18/56
D466,151 S *	11/2002	Shinada et al.	D18/56
D477,020 S *	7/2003	Seino	D18/56
D529,954 S *	10/2006	Matsumoto	D18/56
D536,374 S *	2/2007	Shinada et al.	D18/56
7,452,063 B2 *	11/2008	Harada et al.	347/86
D586,849 S *	2/2009	Nozawa et al.	D18/56
D586,850 S *	2/2009	Matsumoto	D18/56
D591,791 S *	5/2009	Matsumoto	D18/56

D592,241 S *	5/2009	Nozawa et al.	D18/56
D612,415 S *	3/2010	Harada	D18/56
D612,417 S *	3/2010	Harada	D18/56
D614,696 S *	4/2010	Harada	D18/56
D656,184 S *	3/2012	Iwamuro et al.	D18/56
D656,185 S *	3/2012	Oya et al.	D18/56
2005/0001888 A1 *	1/2005	Seino et al.	347/86

* cited by examiner

Primary Examiner — Cathy A MacCormac

(57) **CLAIM**

The ornamental design for an ink cartridge, as shown and described.

DESCRIPTION

FIG. 1 is a front, top and left side perspective view of an ink cartridge showing our new design;

FIG. 2 is a rear, bottom and right side perspective view thereof;

FIG. 3 is a front view thereof;

FIG. 4 is a rear view thereof;

FIG. 5 is a top plan view thereof;

FIG. 6 is a bottom plan view thereof;

FIG. 7 is a right side view thereof;

FIG. 8 is a left side view thereof;

FIG. 9 is a front, top, and left side perspective view of a second embodiment that is the same as the first embodiment except for the addition of a logo; and,

FIG. 10 is a rear, bottom and right side perspective view of the ink cartridge of FIG. 9.

The features shown in broken lines in the drawings depict environmental subject matter only and form no part of the claimed design.

1 Claim, 8 Drawing Sheets

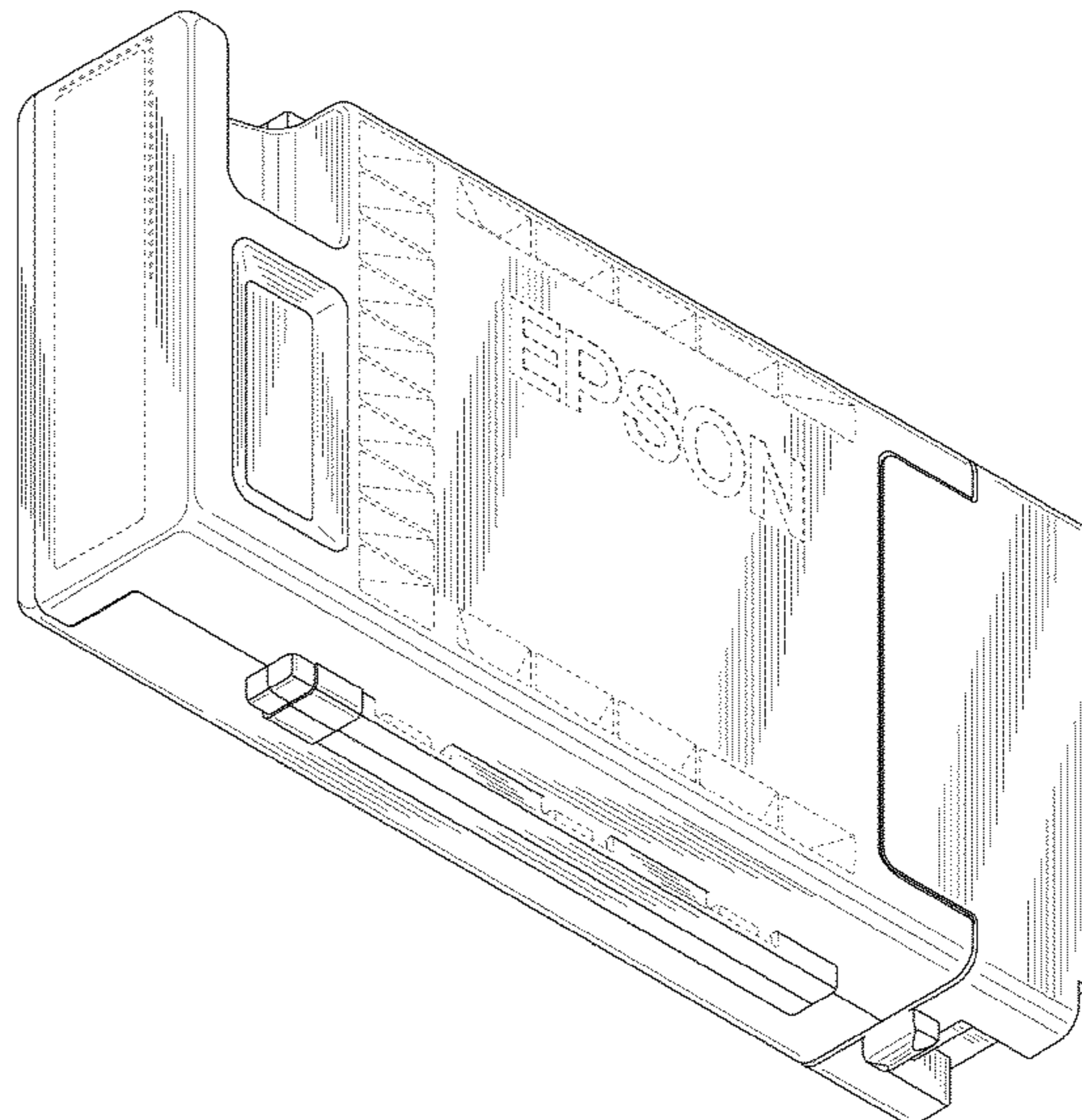
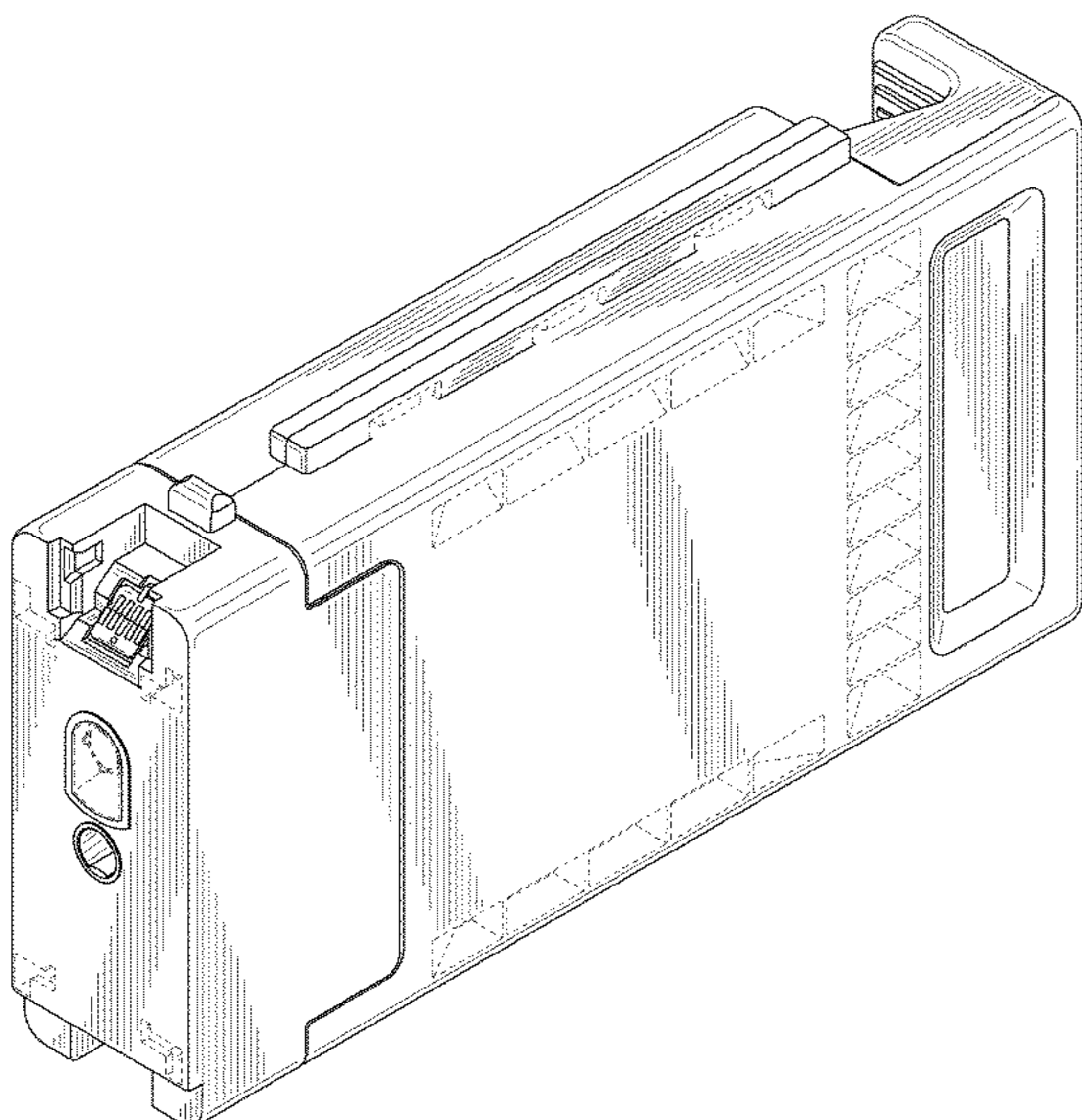


FIG. 1

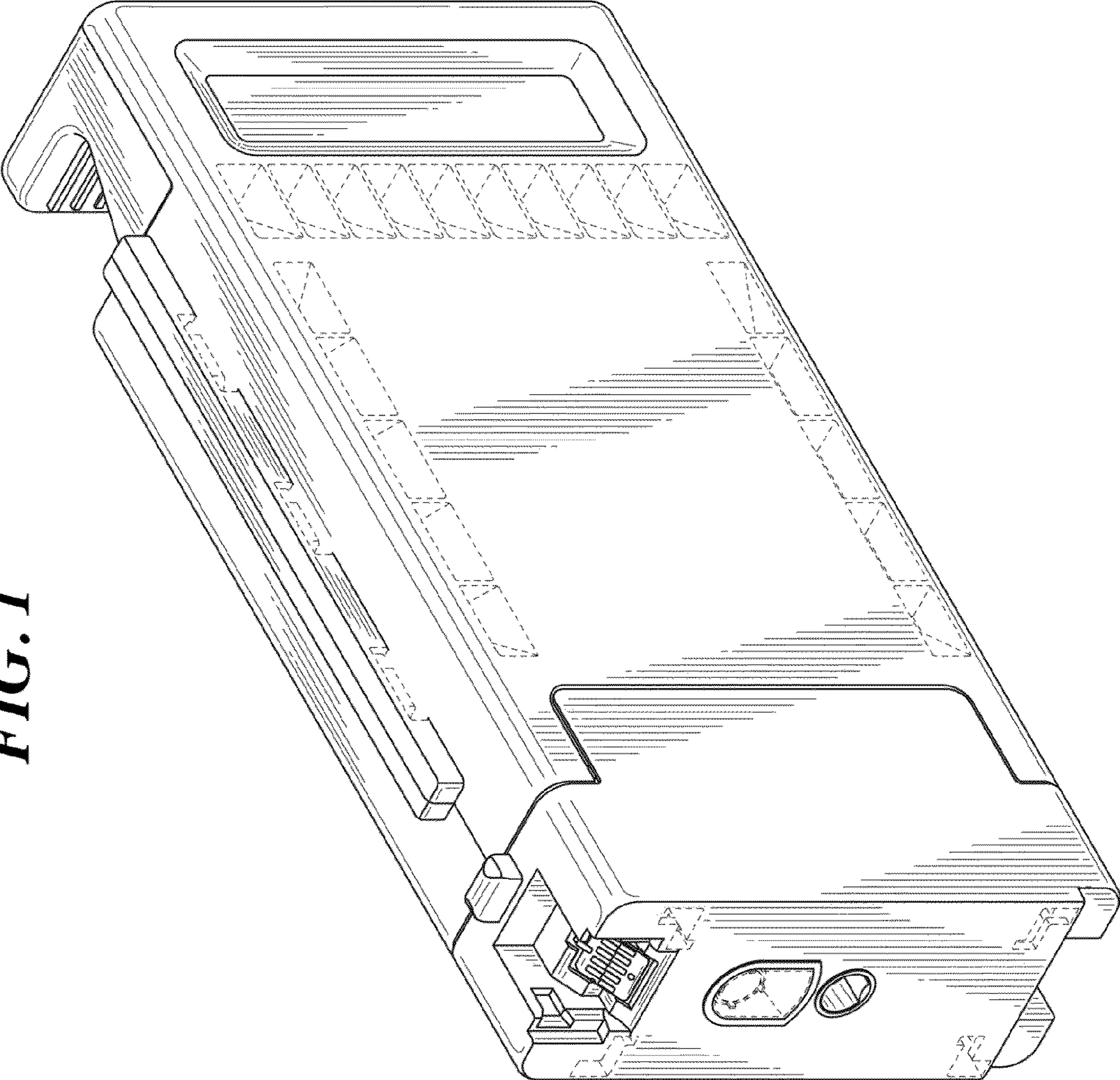


FIG. 2

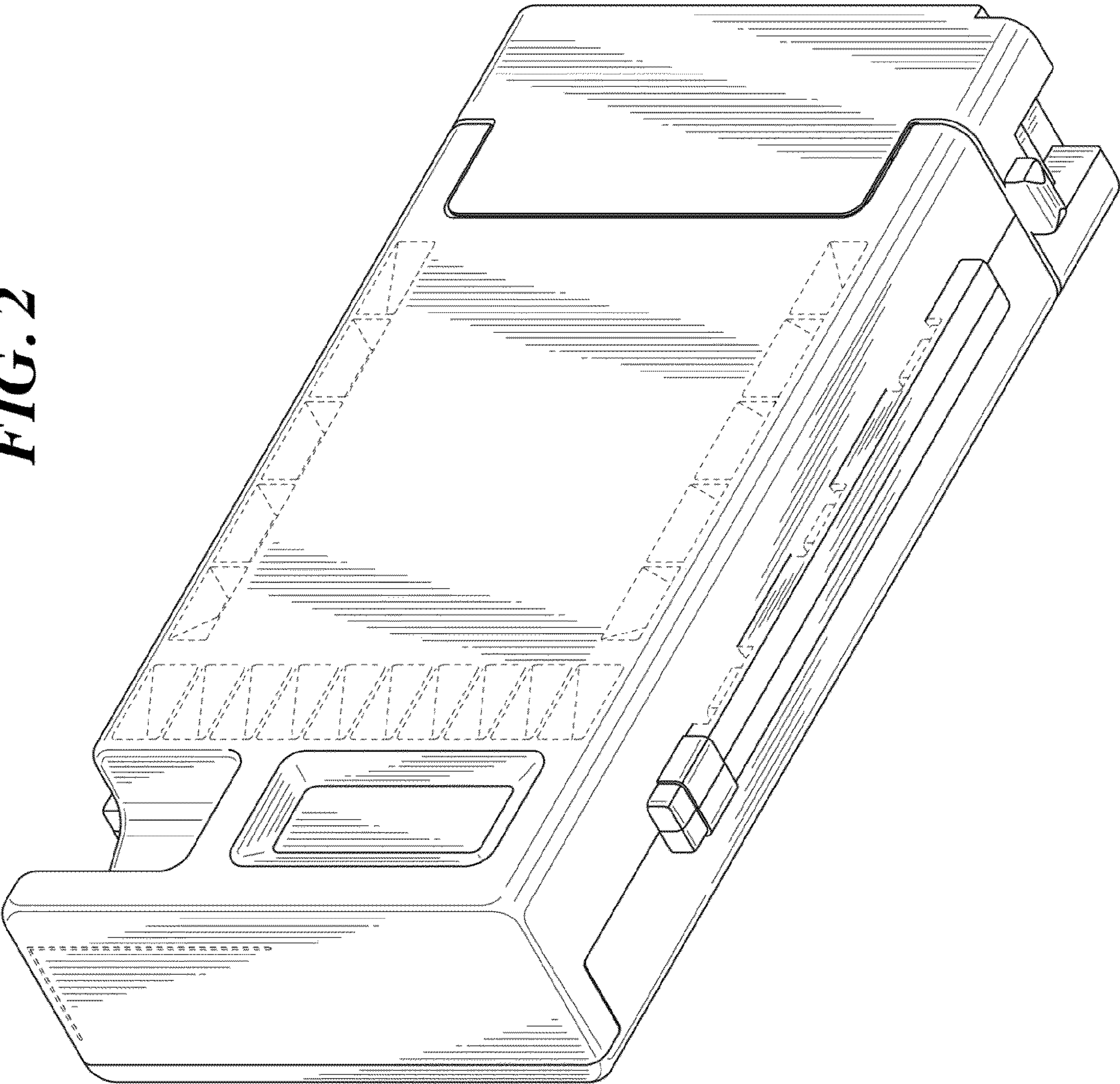


FIG. 3

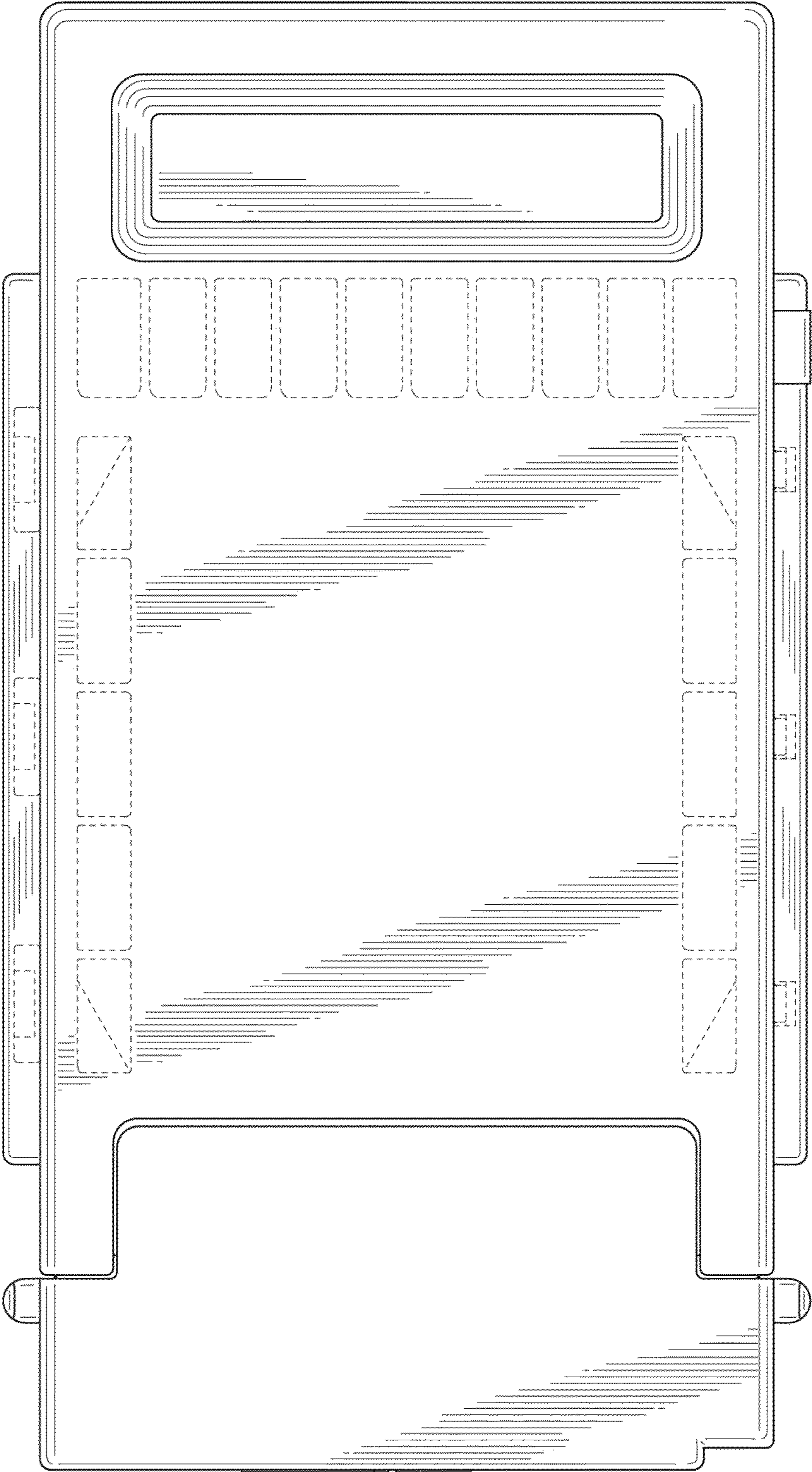


FIG. 4

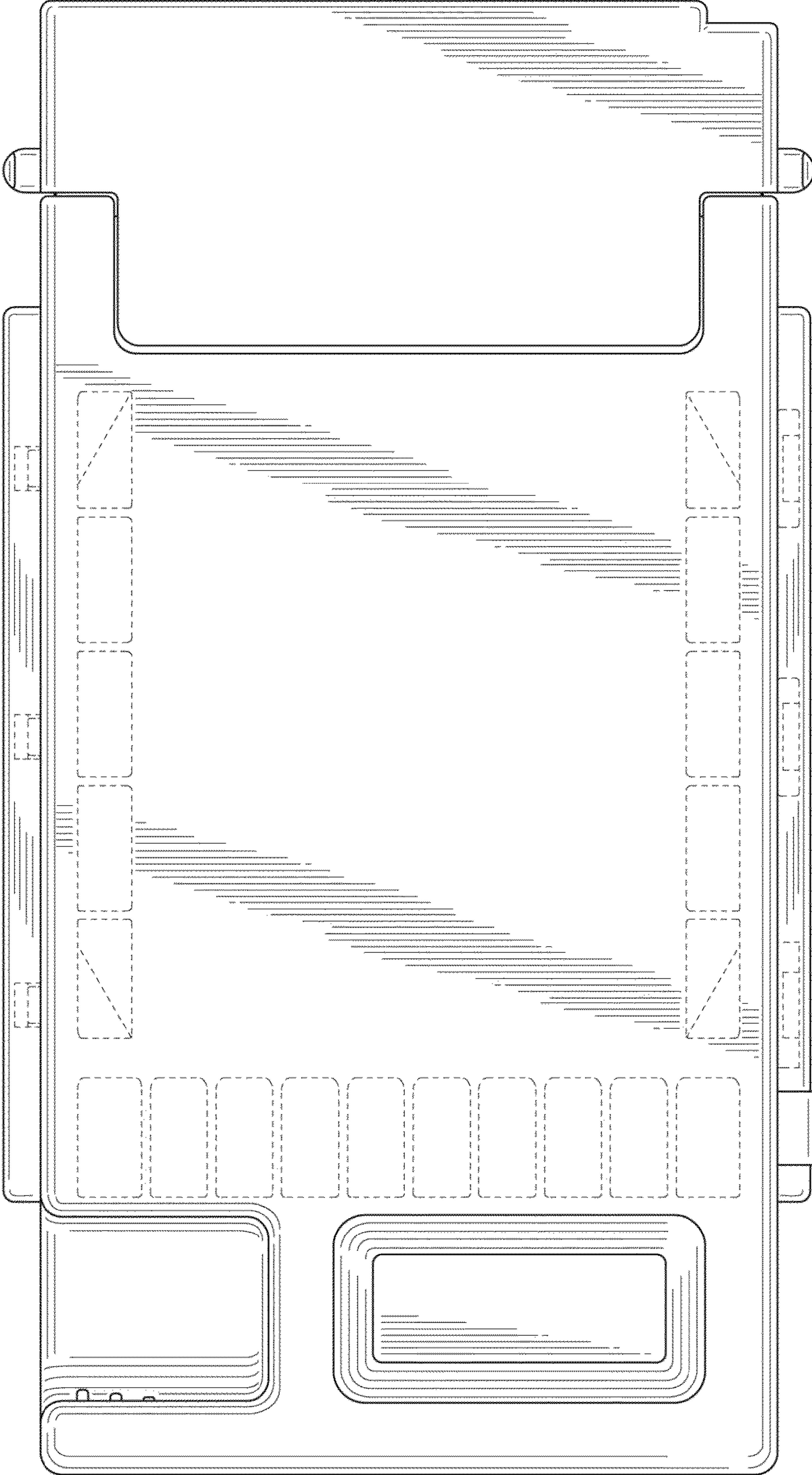


FIG. 5

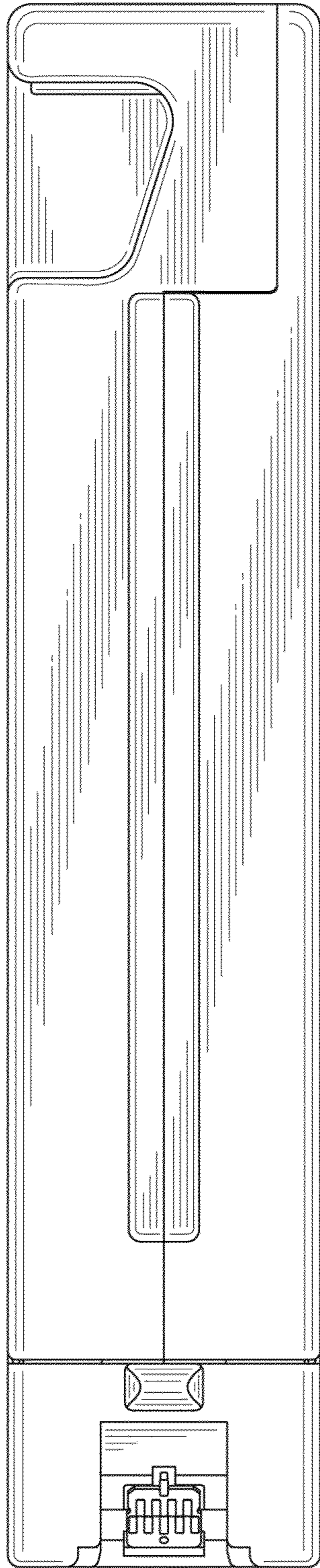


FIG. 6

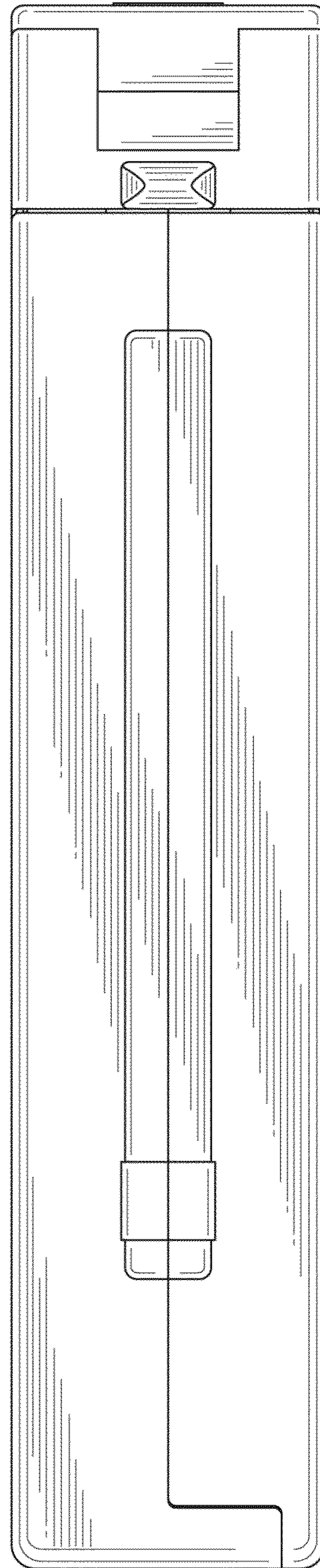


FIG. 8

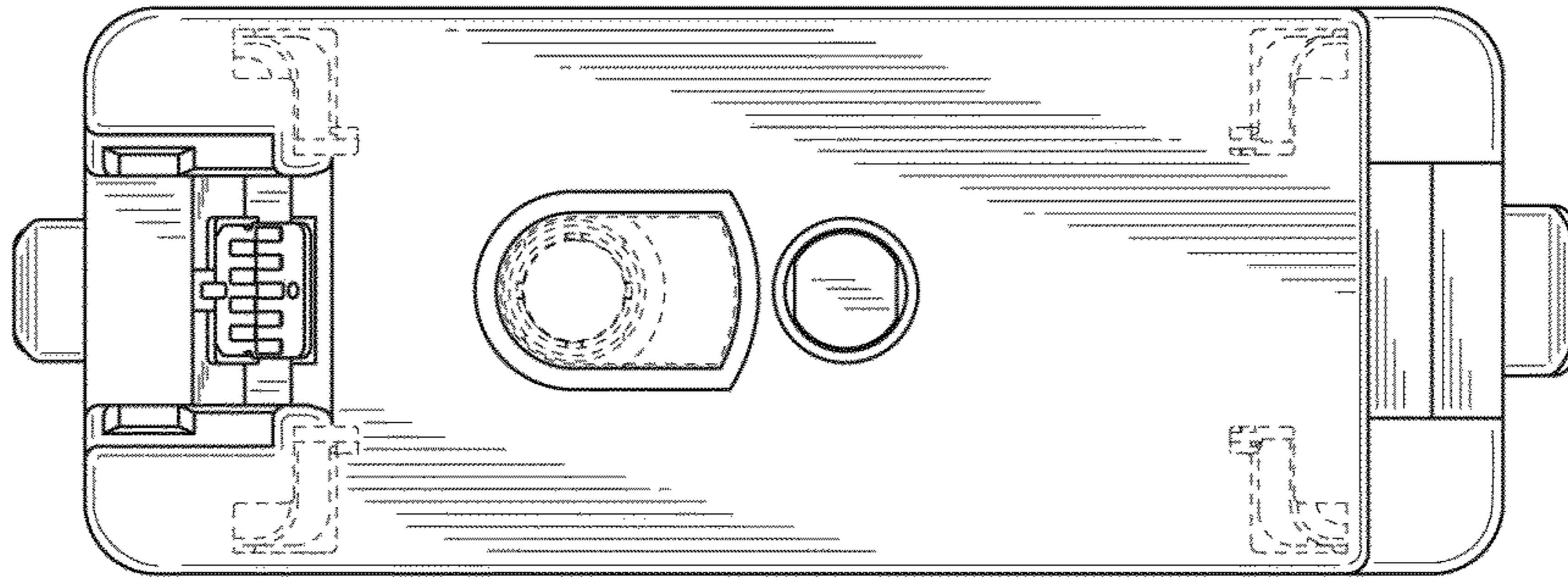


FIG. 7

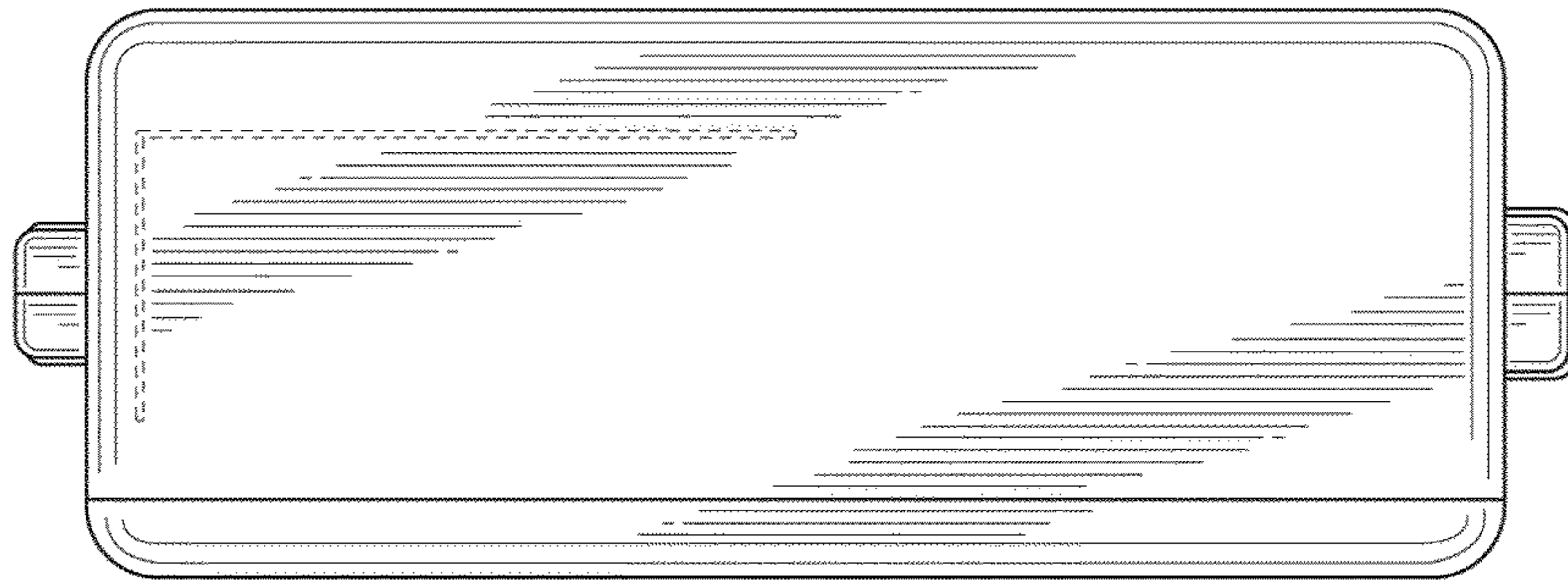


FIG. 9

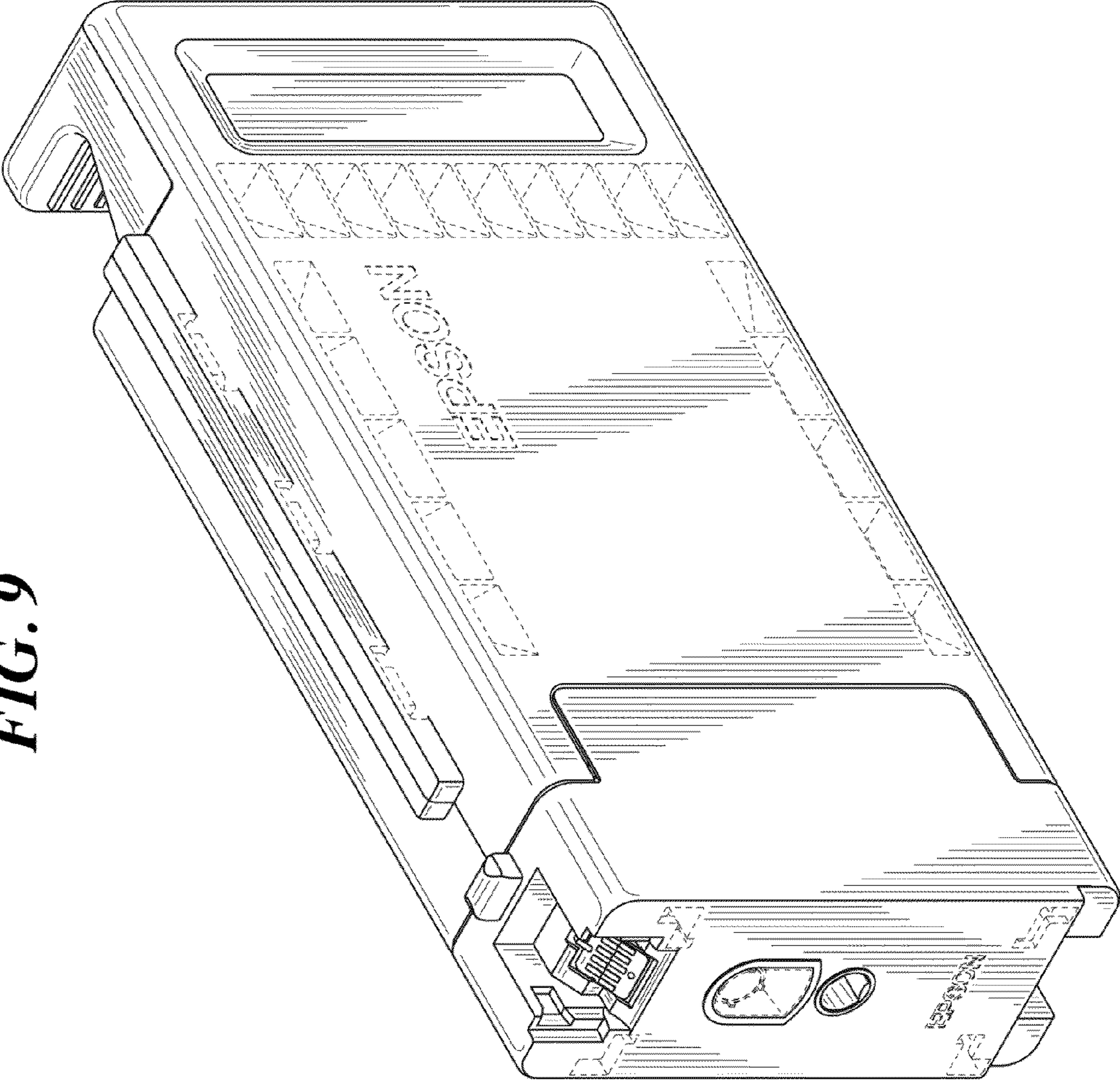


FIG. 10

