



US00D682926S

(12) **United States Design Patent**
Kawaguchi et al.

(10) **Patent No.:** **US D682,926 S**
(45) **Date of Patent:** **** May 21, 2013**

(54) **POWDER CONTAINER**

(75) Inventors: **Makoto Kawaguchi**, Numazu (JP);
Daisuke Hamada, Hiratsuka (JP);
Takeroh Kurenuma, Yokosuka (JP)

(73) Assignee: **Ricoh Company, Ltd.**, Tokyo (JP)

(**) Term: **14 Years**

(21) Appl. No.: **29/426,776**

(22) Filed: **Jul. 10, 2012**

(30) **Foreign Application Priority Data**

Mar. 13, 2012 (JP) 2012-005636

(51) **LOC (9) Cl.** **16-03**

(52) **U.S. Cl.**
USPC **D18/43**

(58) **Field of Classification Search** D14/471;
D18/12, 36, 40, 43, 44, 56; 222/DIG. 1;
347/197, 222; 399/24-28, 107-112, 119,
399/121, 122, 222-224

See application file for complete search history.

(56) **References Cited**

U.S. PATENT DOCUMENTS

D432,916 S * 10/2000 Drinkwater et al. D18/43
D582,767 S * 12/2008 Batton et al. D9/447

D588,870 S * 3/2009 Rasmussen D7/398
D617,146 S * 6/2010 Harrison D7/501
8,346,129 B2 * 1/2013 Ukai 399/122

* cited by examiner

Primary Examiner — Garth Rademaker

(74) *Attorney, Agent, or Firm* — Oblon, Spivak,
McClelland, Maier & Neustadt, L.L.P.

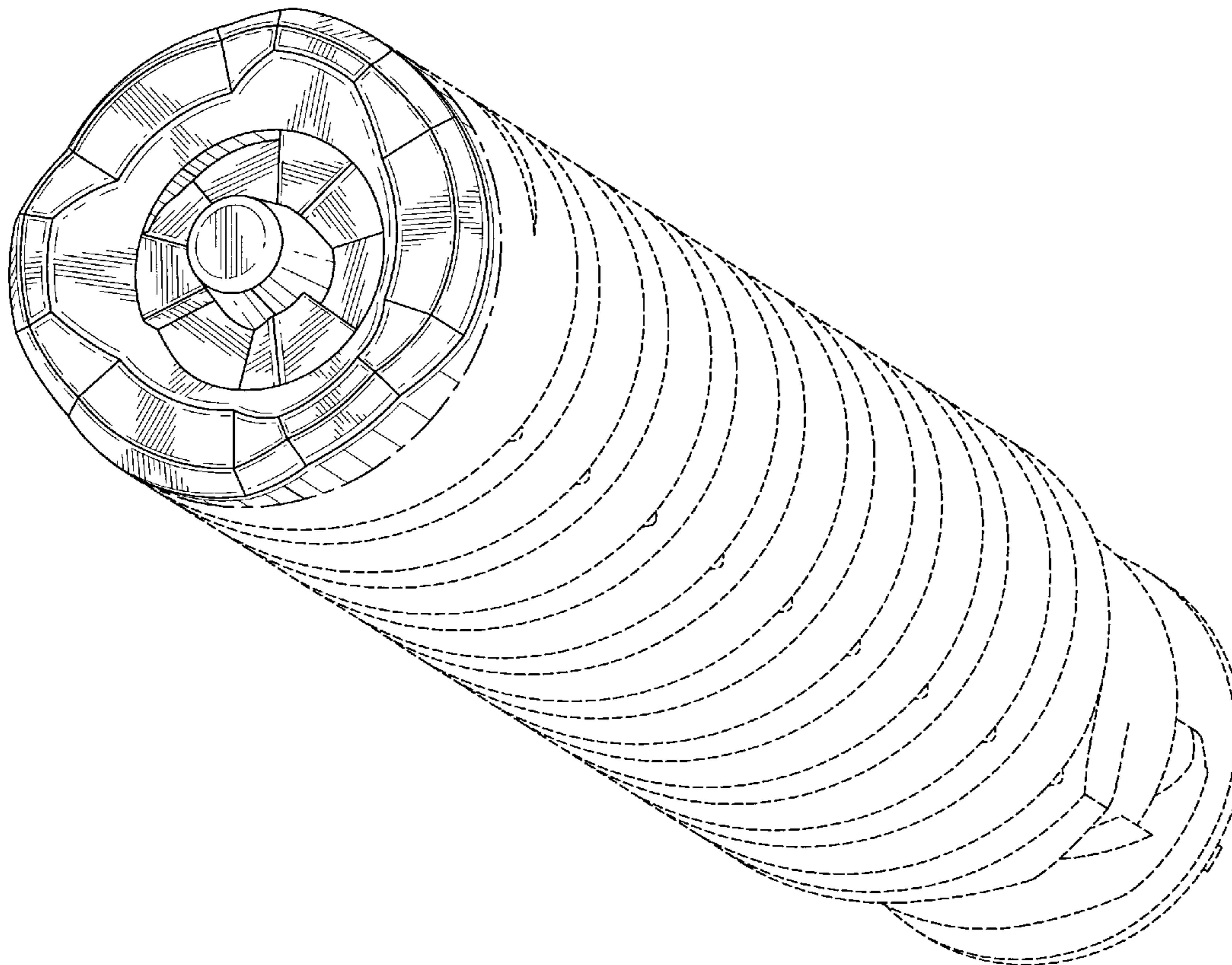
(57) **CLAIM**

The ornamental design for a powder container, as shown and described.

DESCRIPTION

FIG. 1 is a front elevational view of a powder container;
FIG. 2 is a rear elevational view thereof;
FIG. 3 is a left side elevational view thereof;
FIG. 4 is a right side elevational view thereof;
FIG. 5 is a top plan view thereof;
FIG. 6 is a bottom plan view thereof;
FIG. 7 is a front, bottom, and left side perspective view thereof; and,
FIG. 8 is a rear, top, and right side perspective view thereof.
The broken lines in the drawings depict environmental subject matter only and form no part of the claimed design.

1 Claim, 7 Drawing Sheets



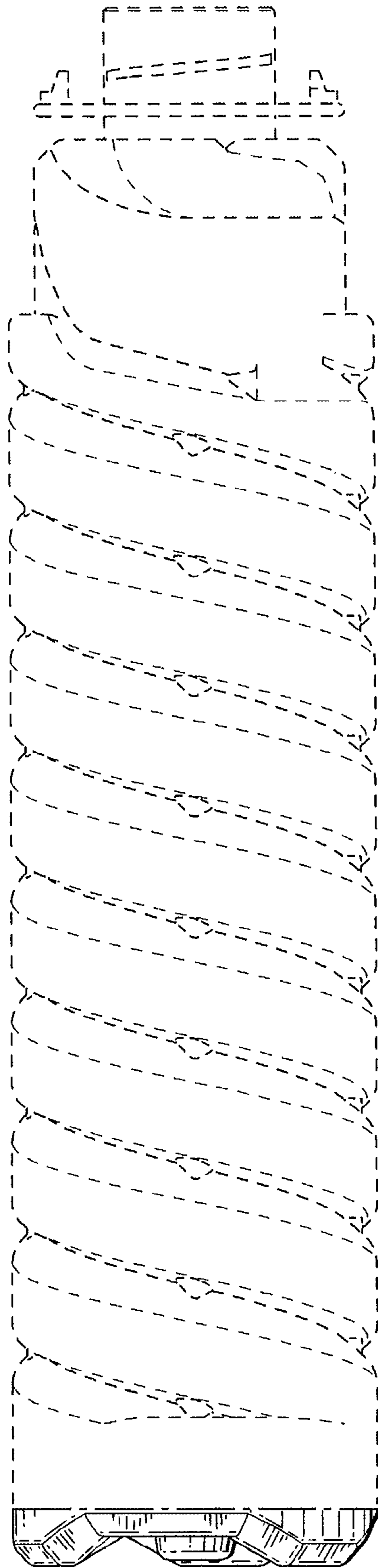


FIG. 1

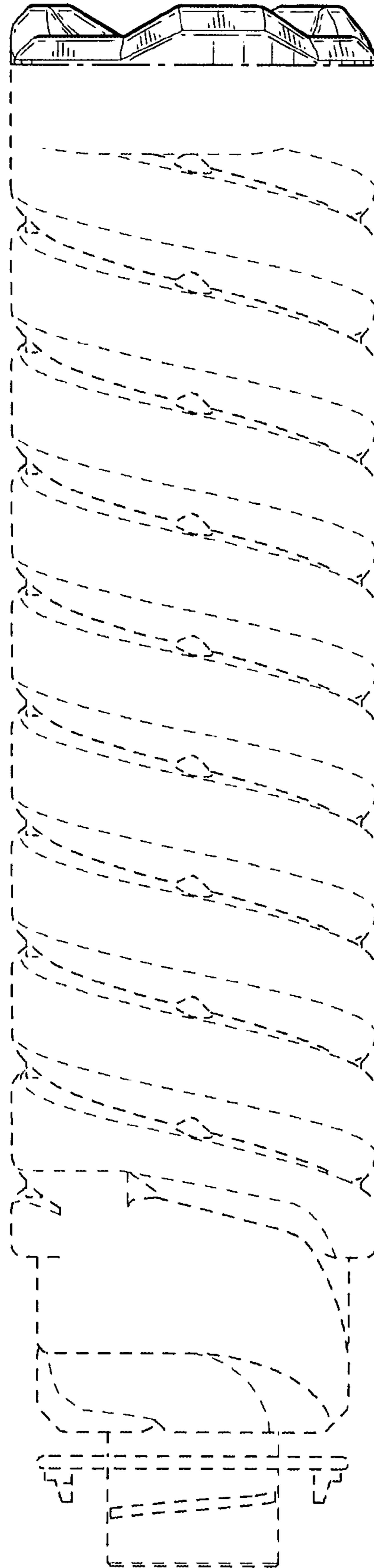


FIG. 2

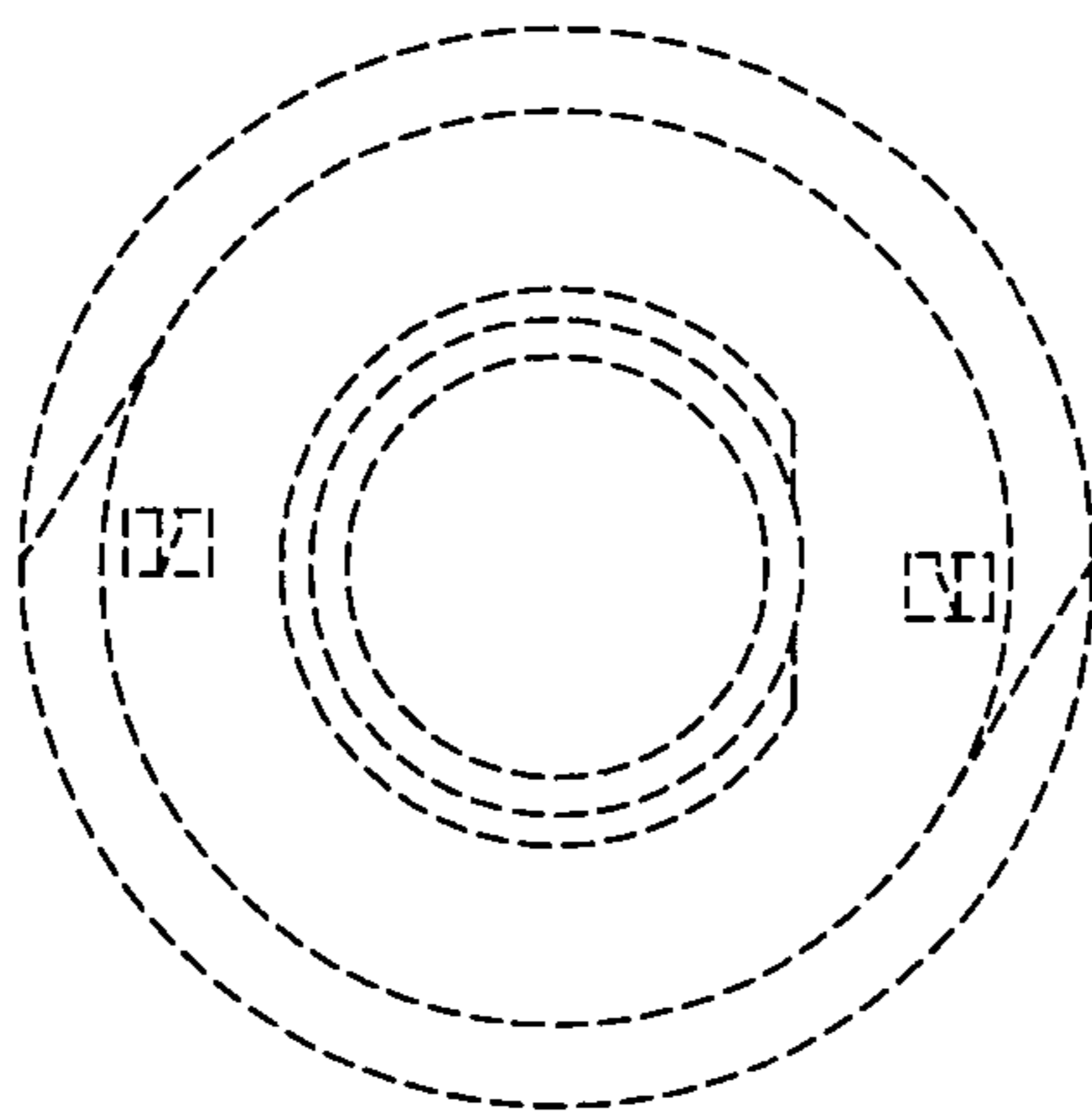


FIG. 4

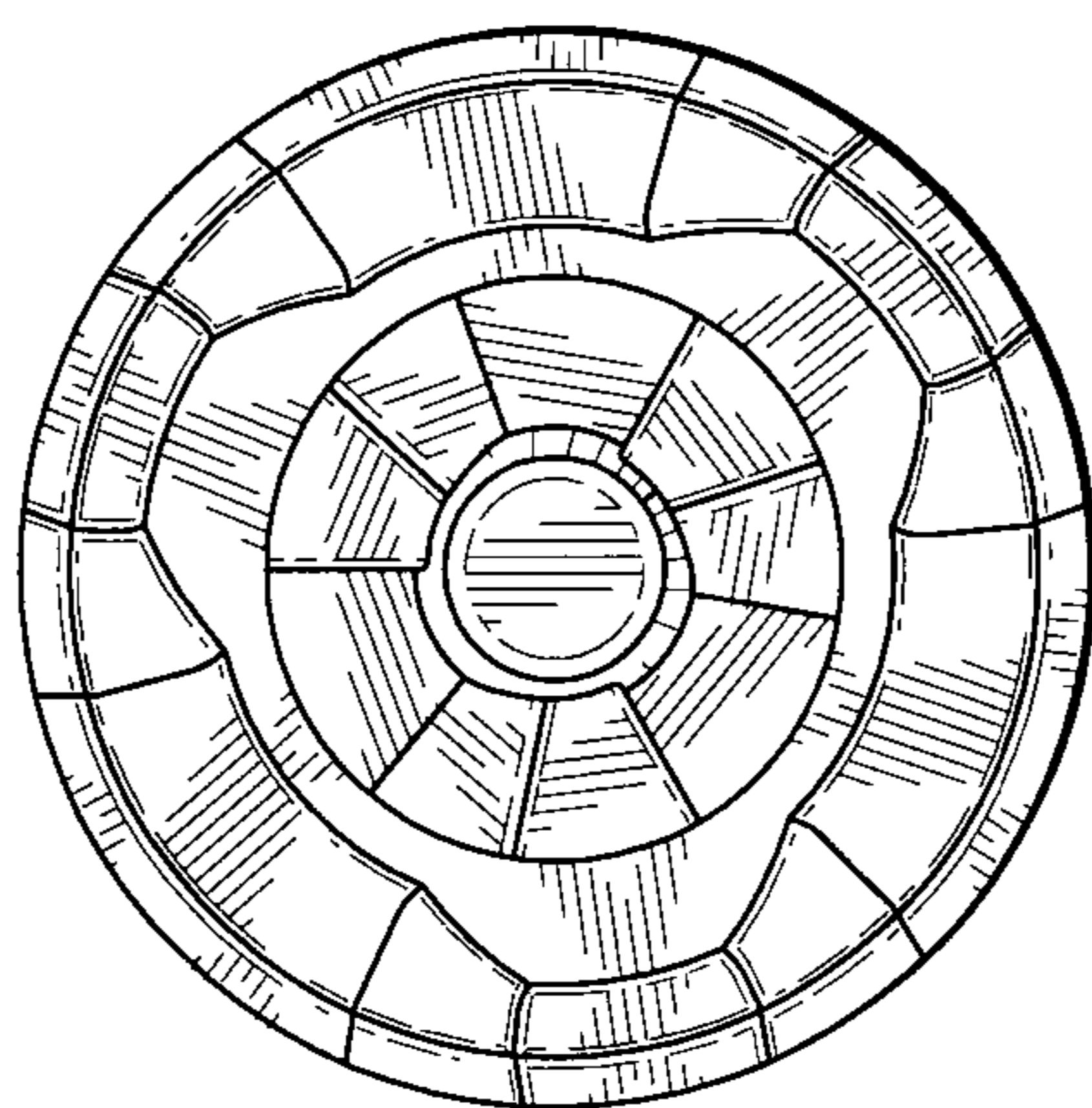


FIG. 3

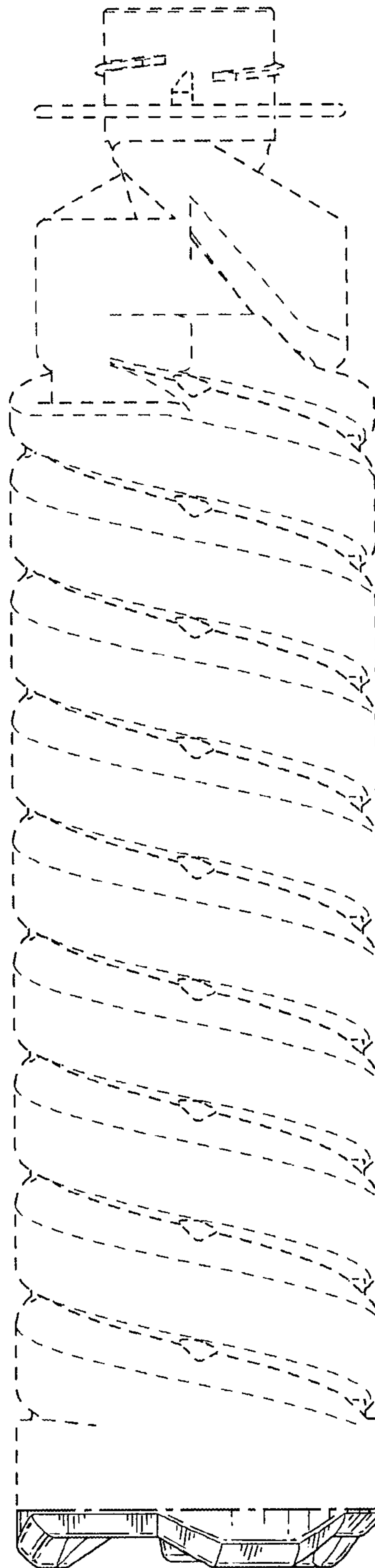


FIG. 5

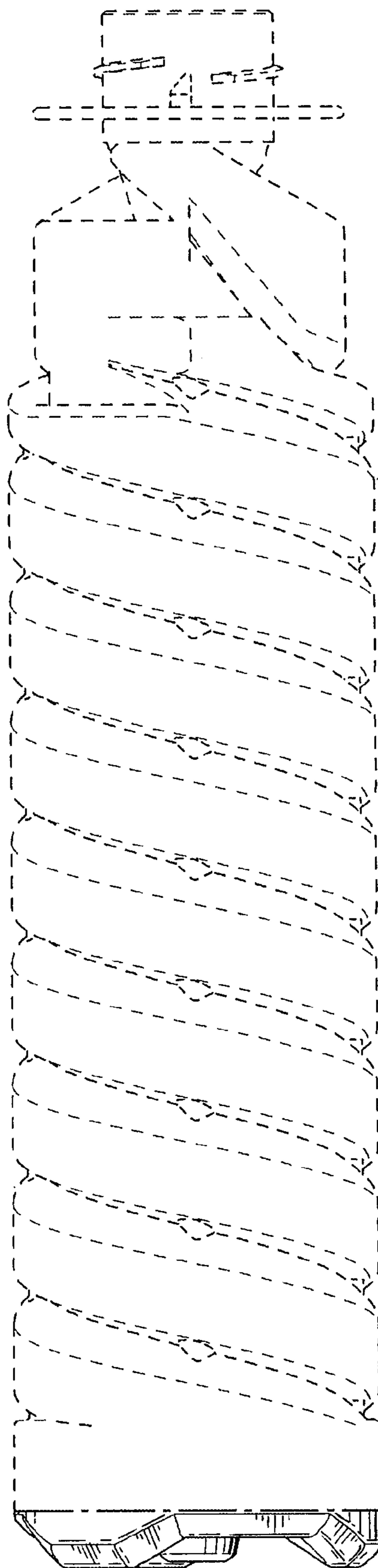


FIG. 6

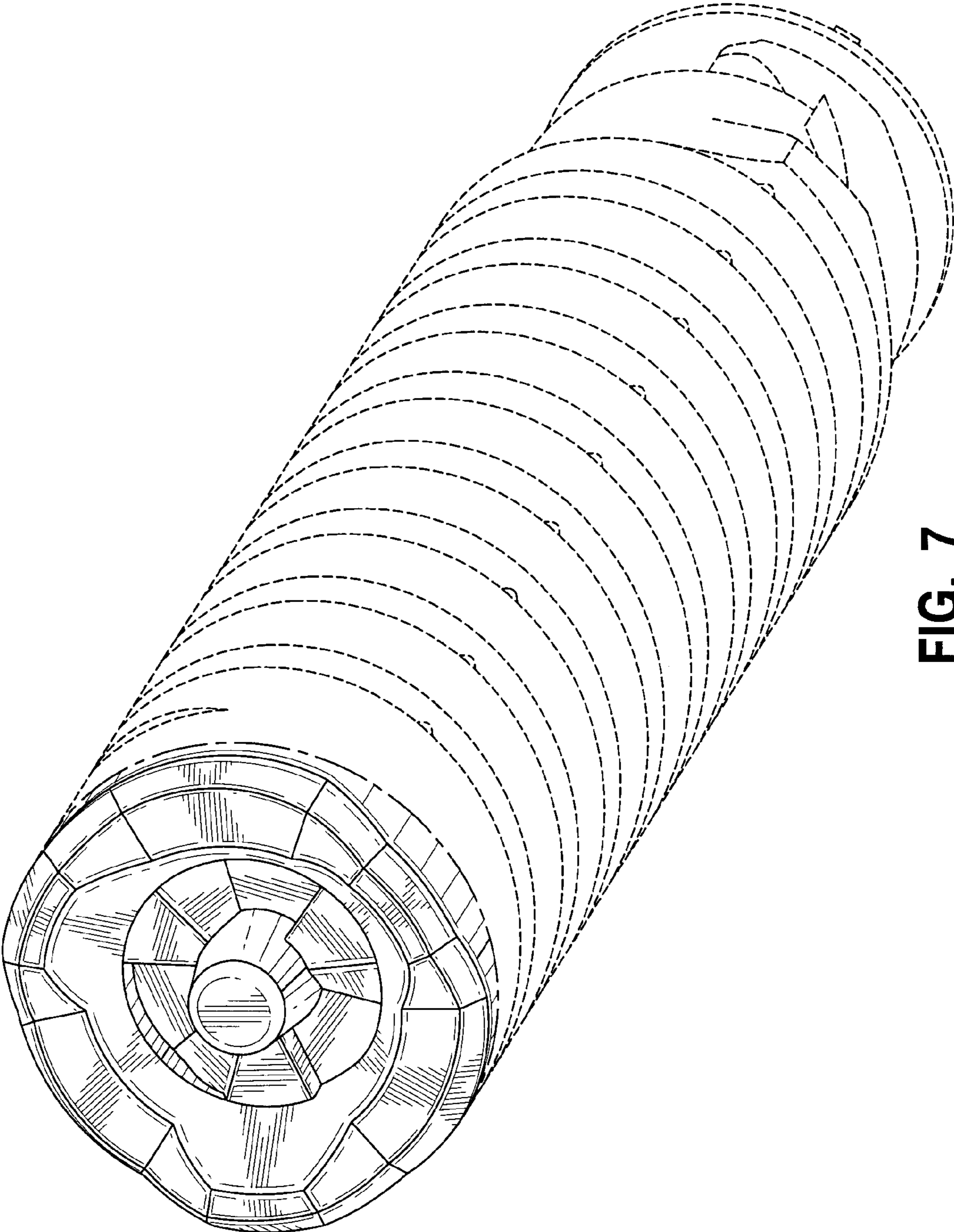


FIG. 7

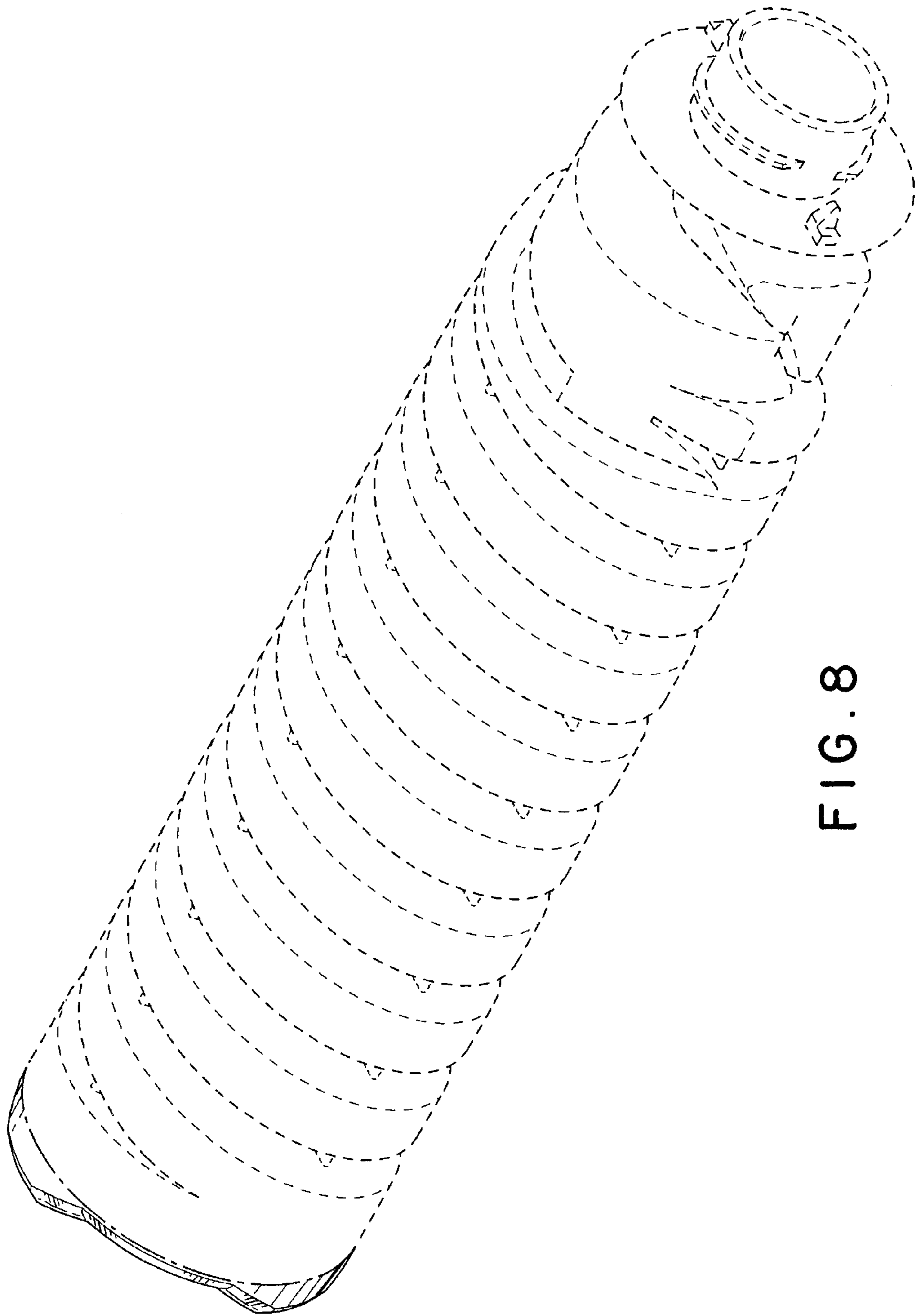


FIG. 8