



US00D682924S

(12) **United States Design Patent**
Cheung

(10) **Patent No.:** **US D682,924 S**

(45) **Date of Patent:** **** May 21, 2013**

(54) **SPRING HINGE**

D553,179 S * 10/2007 Irvine D16/334
7,341,343 B2 * 3/2008 Maling 351/118
7,422,321 B2 * 9/2008 Wang 351/57

(75) Inventor: **Hing Yuen Cheung**, Tseung Kwan O
Kowloon (HK)

* cited by examiner

(73) Assignee: **Chuen Fung Spectacles Services**
Manufactory Limited, Hong Kong
(HK)

Primary Examiner — Raphael Barkai
Assistant Examiner — Randall Gholson

(74) *Attorney, Agent, or Firm* — Howard C. Miskin, Esq.;
Gloria Tsui-Yip, Esq.

(**) Term: **14 Years**

(57) **CLAIM**

I claim the ornamental design for a spring hinge, as shown and described.

(21) Appl. No.: **29/416,040**

DESCRIPTION

(22) Filed: **Mar. 16, 2012**

(30) **Foreign Application Priority Data**

Sep. 30, 2011 (HK) 1101667

(51) **LOC (9) Cl.** **16-06**

(52) **U.S. Cl.**
USPC **D16/334**

(58) **Field of Classification Search** D16/101,
D16/300-342; D29/109-110; D24/110.2;
351/41, 44, 51-52, 62, 158, 92, 103-123,
351/140, 153, 45-46; 2/426-432, 447-449,
2/441, 434-437, 13, 15; D21/483, 659-661
See application file for complete search history.

FIG. 1 is a perspective view of the spring hinge showing my new design;

FIG. 2 is an enlarged perspective view of element A thereof as shown in FIG. 1;

FIG. 3 is an enlarged perspective view of element B, which is a mirror image of element A, thereof as shown in FIG. 1;

FIG. 4 is a top view of element A;

FIG. 5 is a side view thereof;

FIG. 6 is a bottom view thereof;

FIG. 7 is a side view of element B;

FIG. 8 is a perspective view thereof with element B shown in a folded position;

FIG. 9 is an enlarged perspective view of element C thereof as shown in FIG. 8;

FIG. 10 is an enlarged perspective view of element D thereof as shown in FIG. 8;

FIG. 11 is a perspective view thereof with element A shown in a disassembled state;

FIG. 12 is an enlarged perspective view of element E as shown in FIG. 11;

FIG. 13 is a perspective view thereof with element A shown in a disassembled state; and,

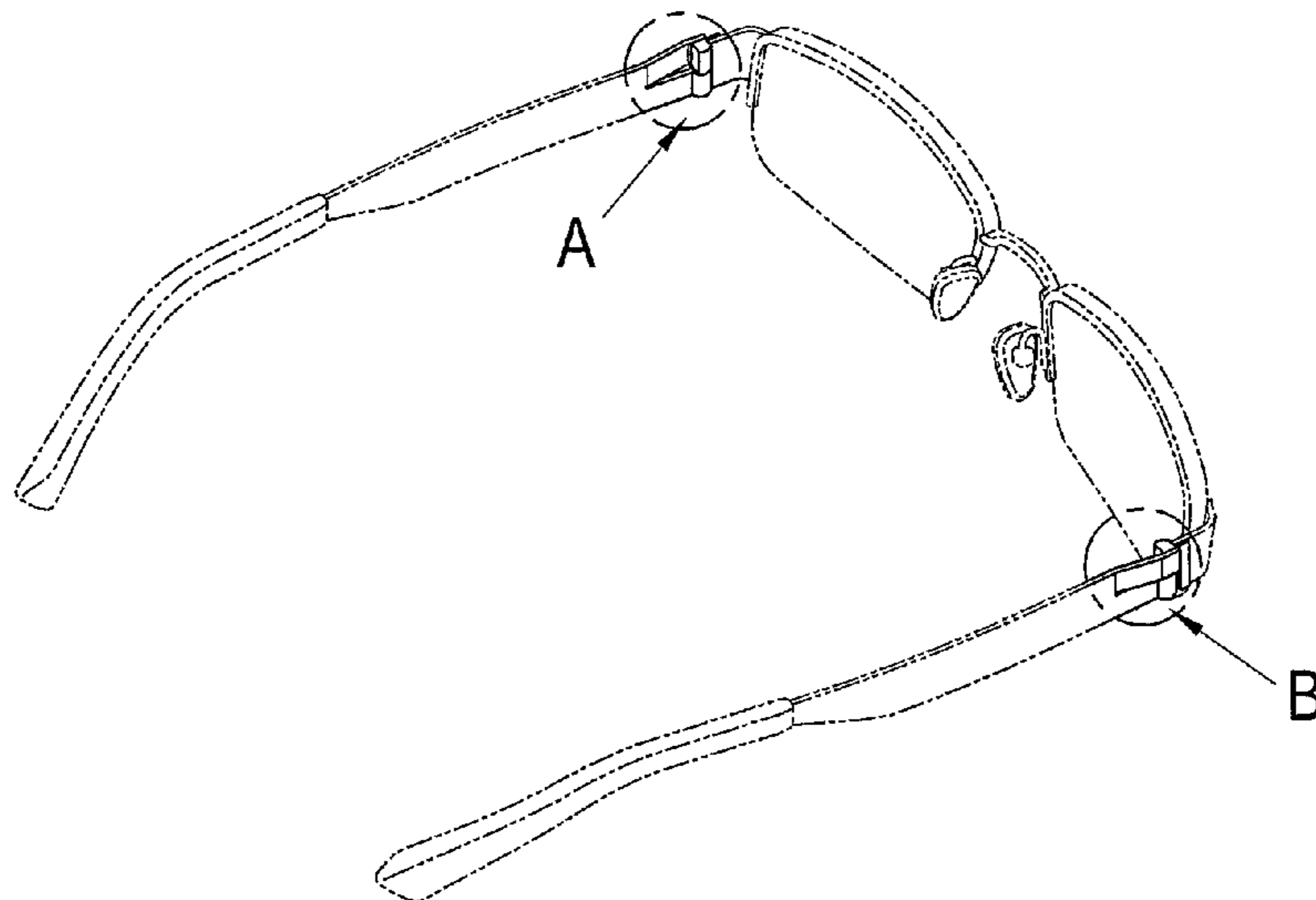
FIG. 14 is an enlarged perspective view of element F as shown in FIG. 13.

(56) **References Cited**

U.S. PATENT DOCUMENTS

4,178,081 A * 12/1979 Metcalfe 351/153
4,488,792 A * 12/1984 Wagner 351/153
4,570,289 A * 2/1986 Consolati 16/228
D285,452 S * 9/1986 Tabacchi D16/334
5,033,836 A * 7/1991 Aoyama 351/51
5,980,038 A * 11/1999 Chen 351/120
6,217,170 B1 * 4/2001 Hsiao 351/153
6,540,350 B2 * 4/2003 Fujita 351/110
6,631,194 B2 * 10/2003 Fukuoka 381/113
7,090,347 B1 * 8/2006 Rotman 351/153

1 Claim, 4 Drawing Sheets



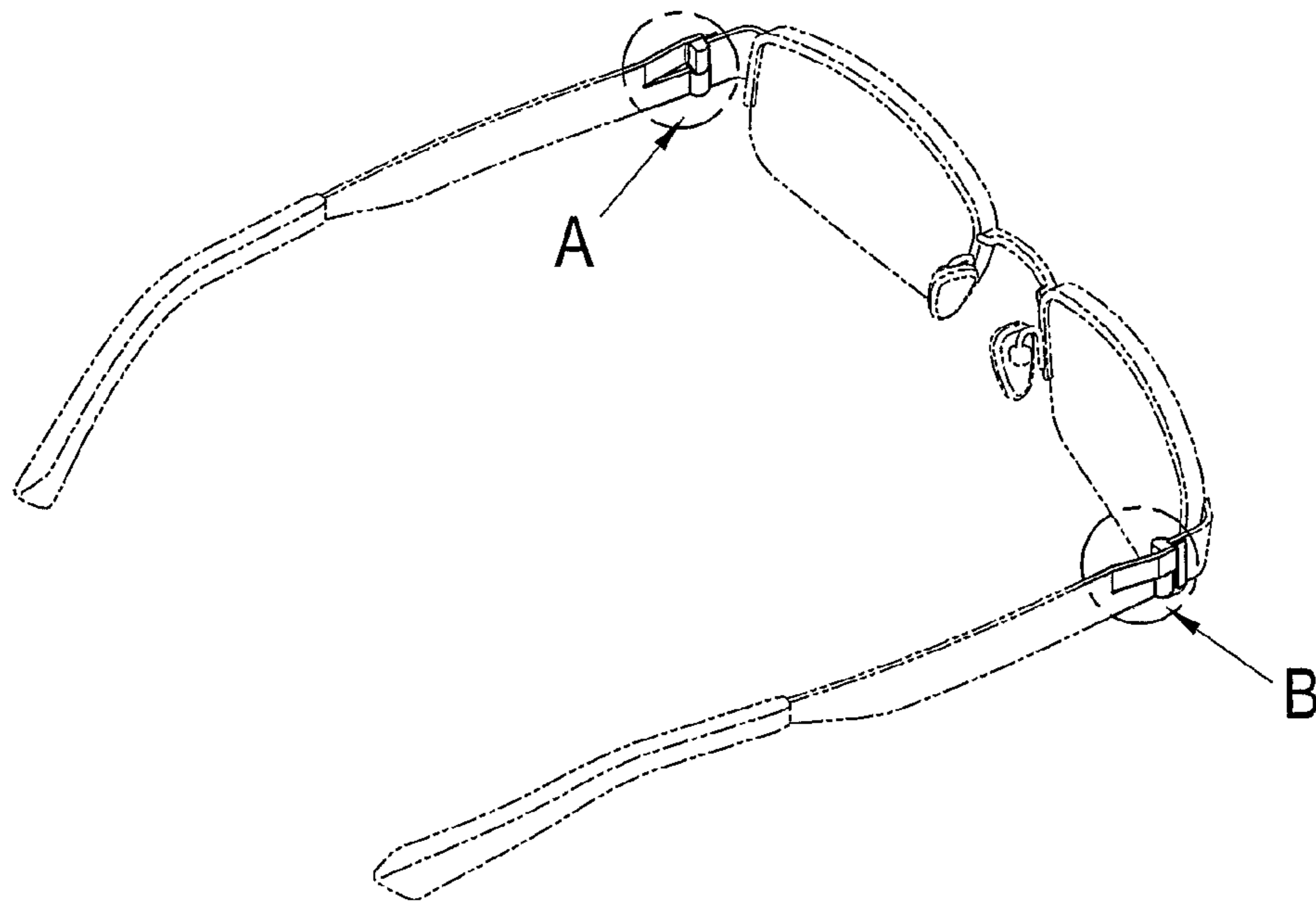


Fig.1

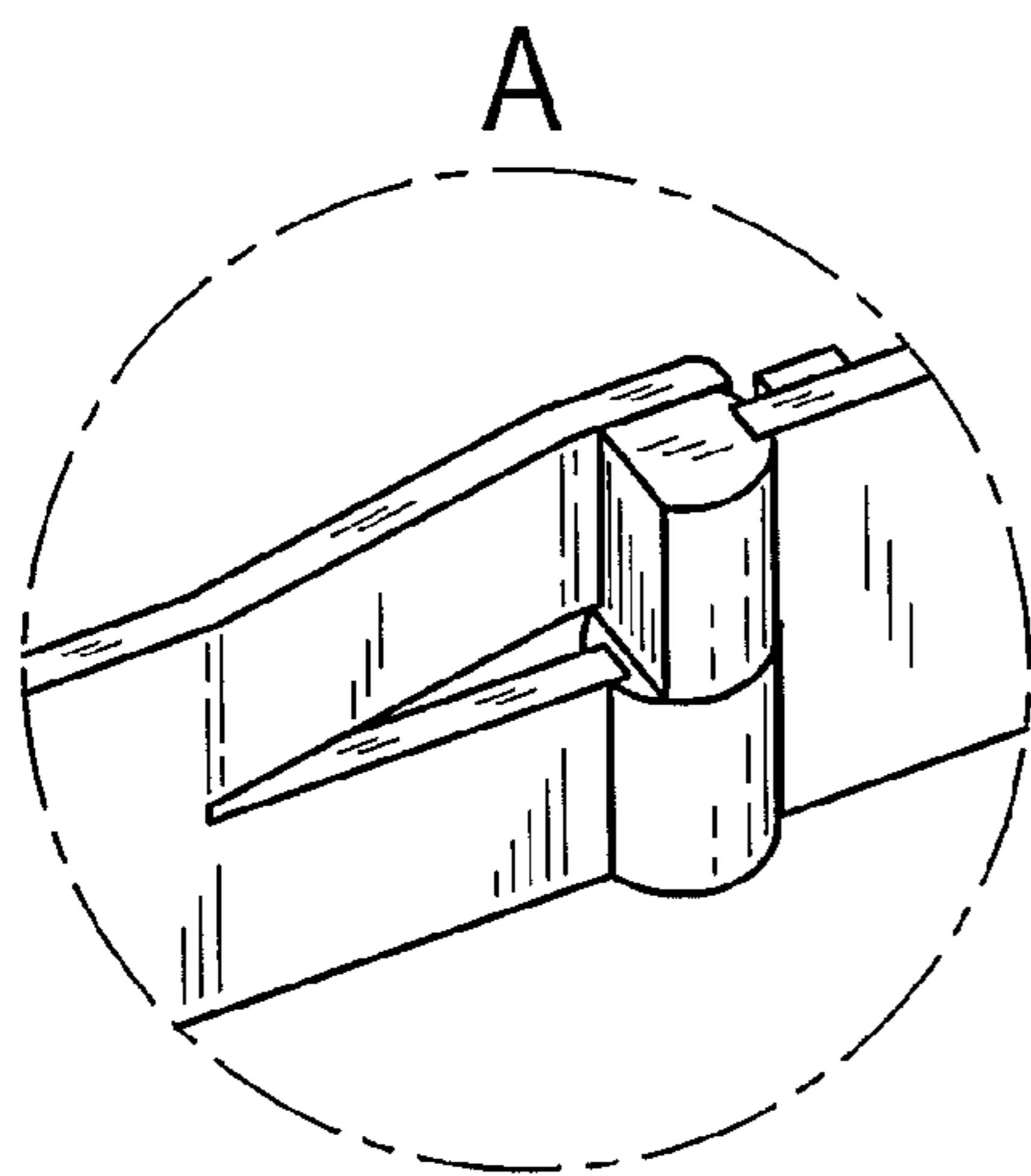


Fig.2

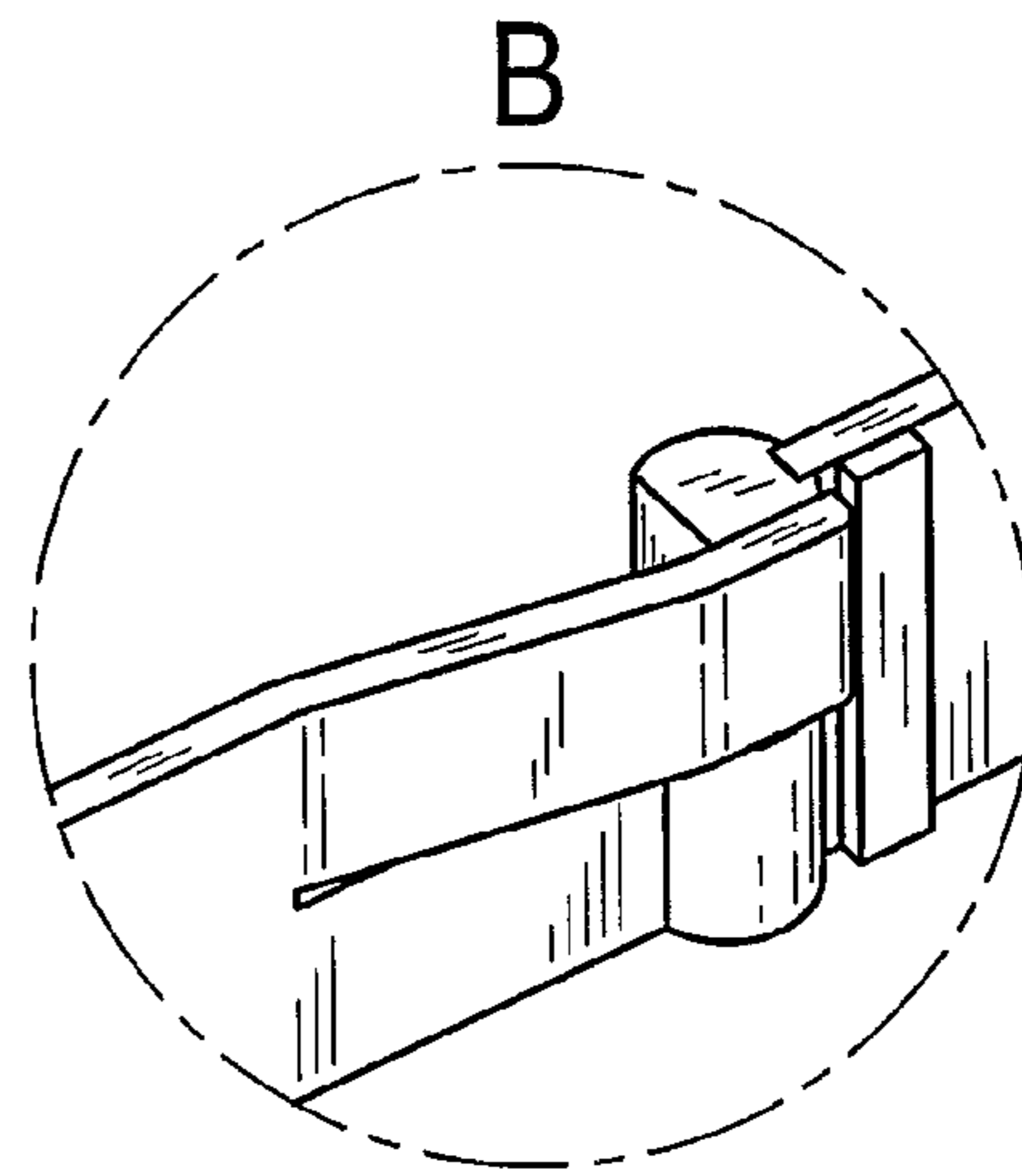


Fig.3



Fig.4

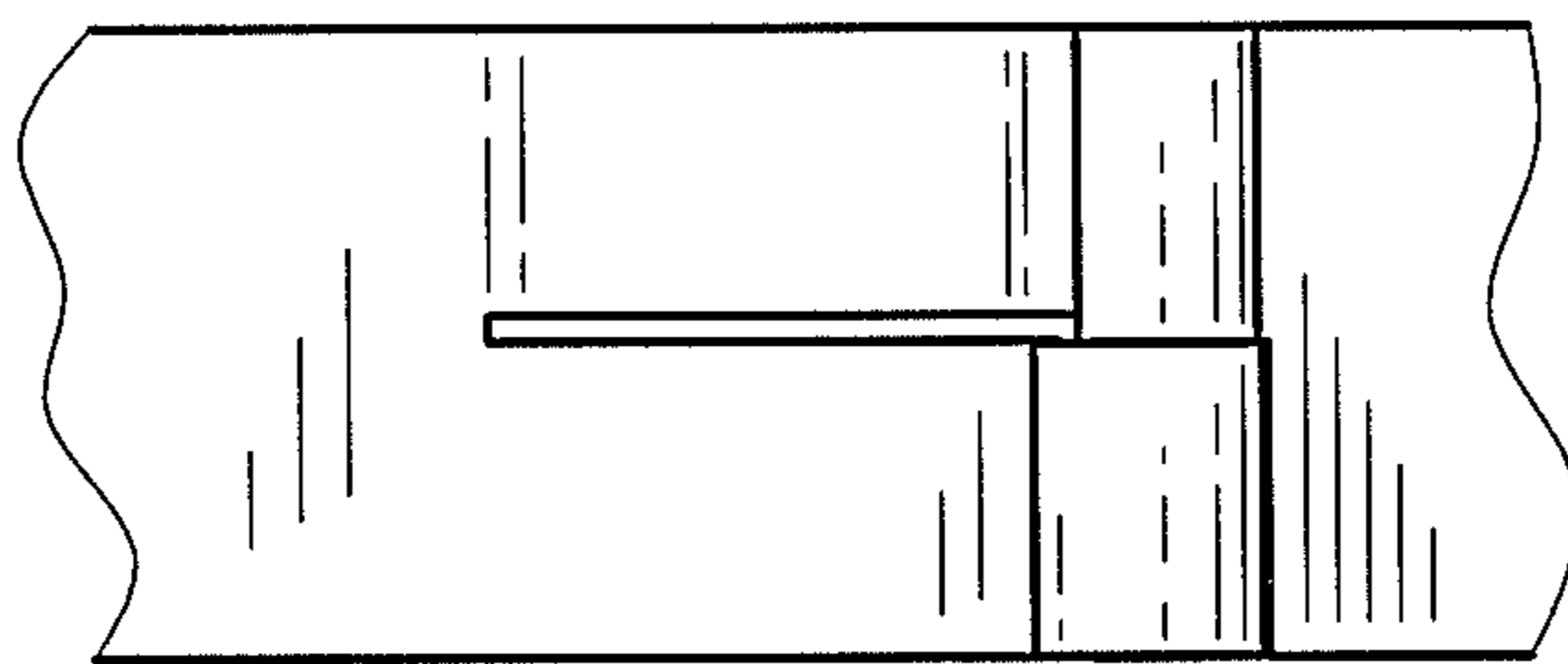


Fig.5



Fig.6

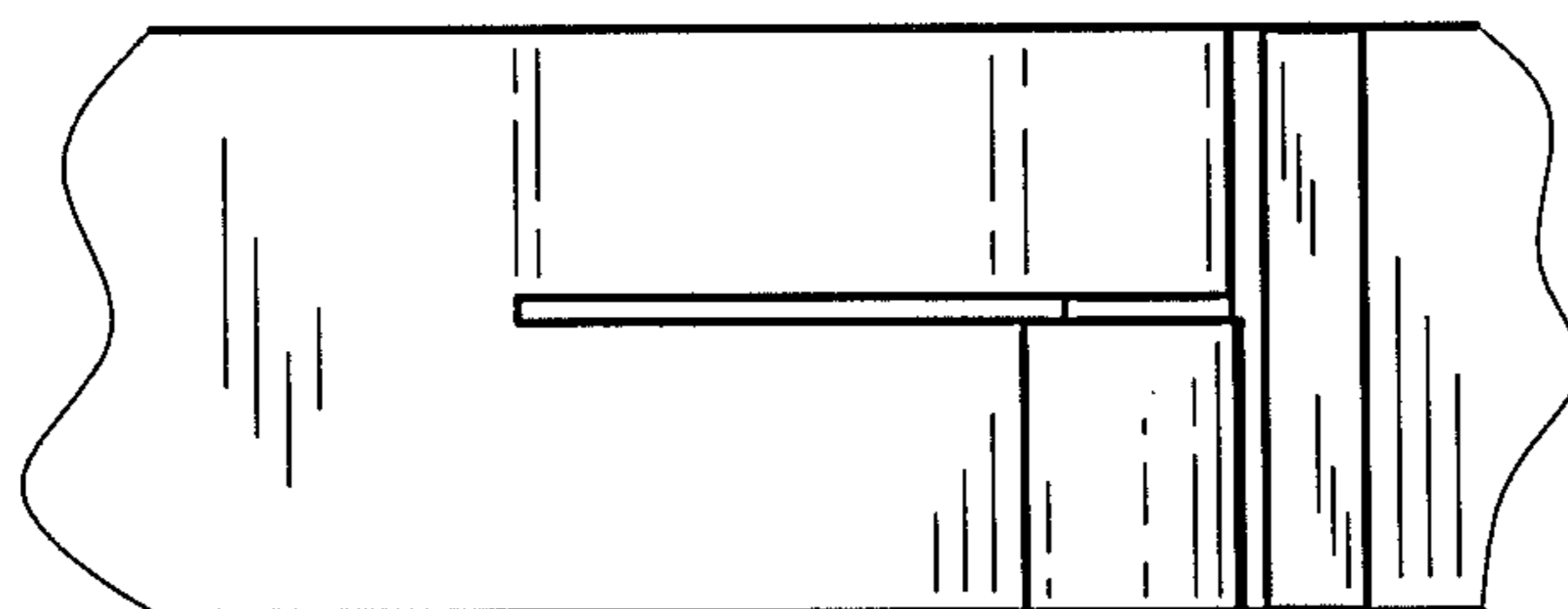


Fig.7

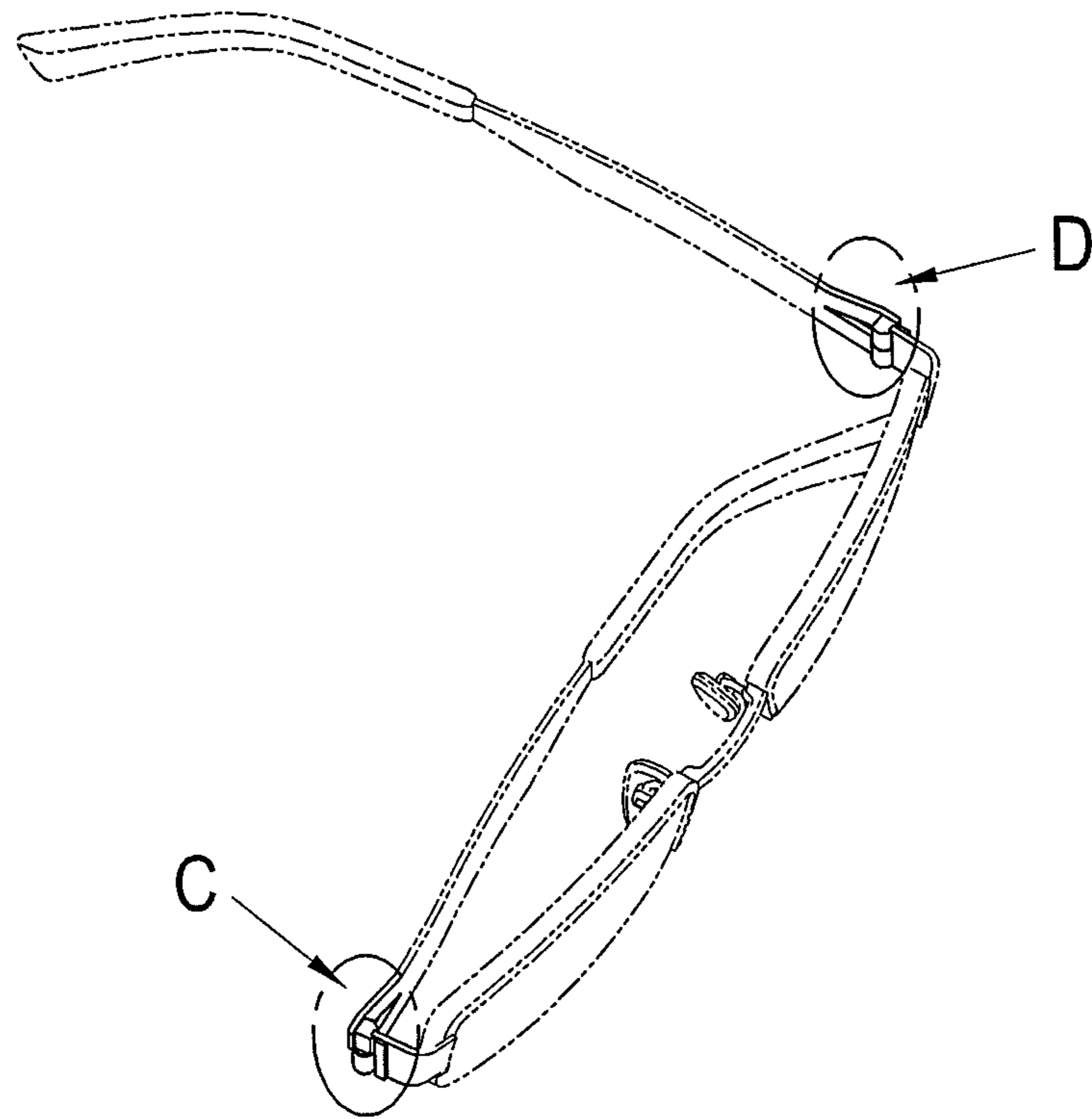


Fig.8

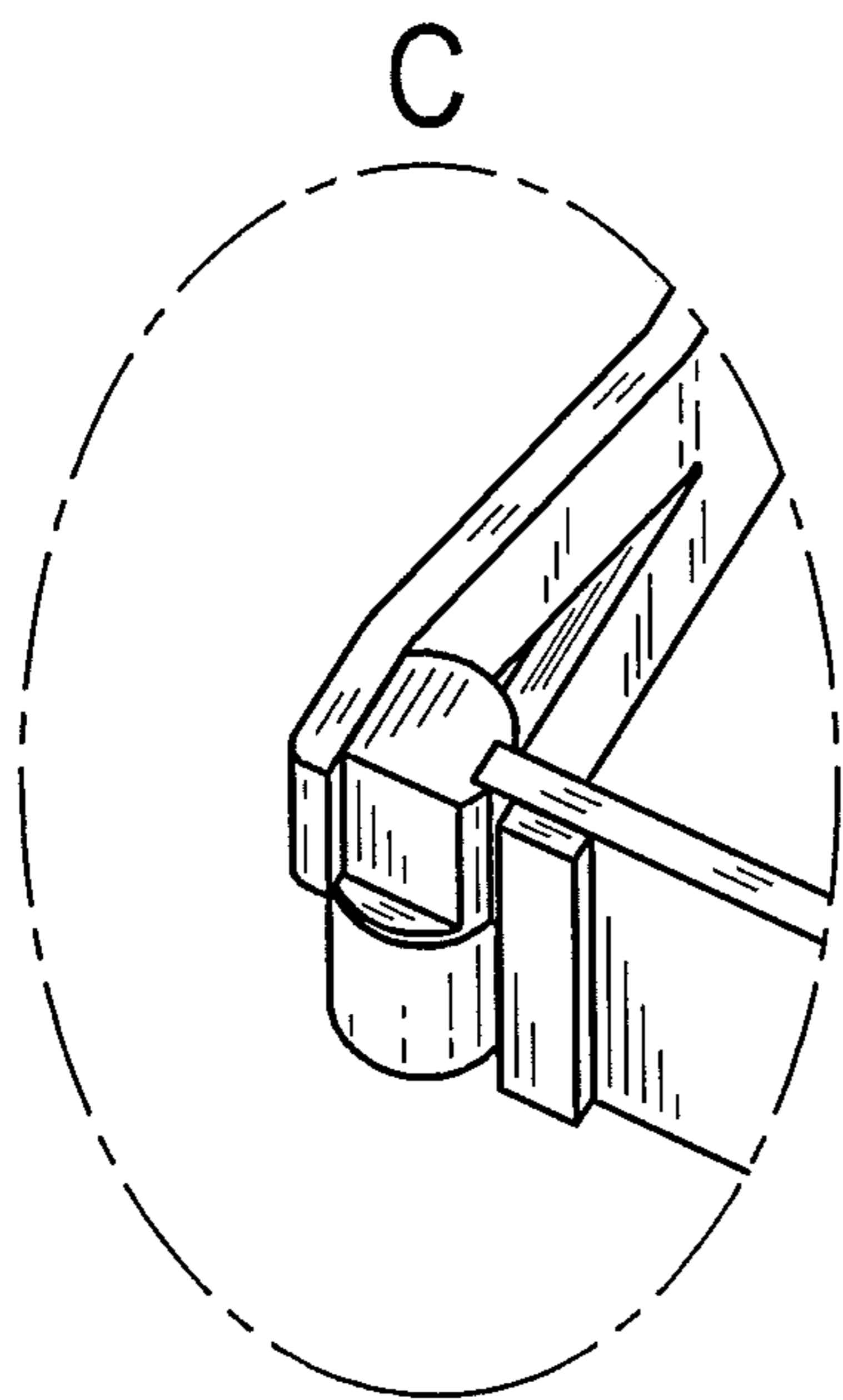


Fig.9

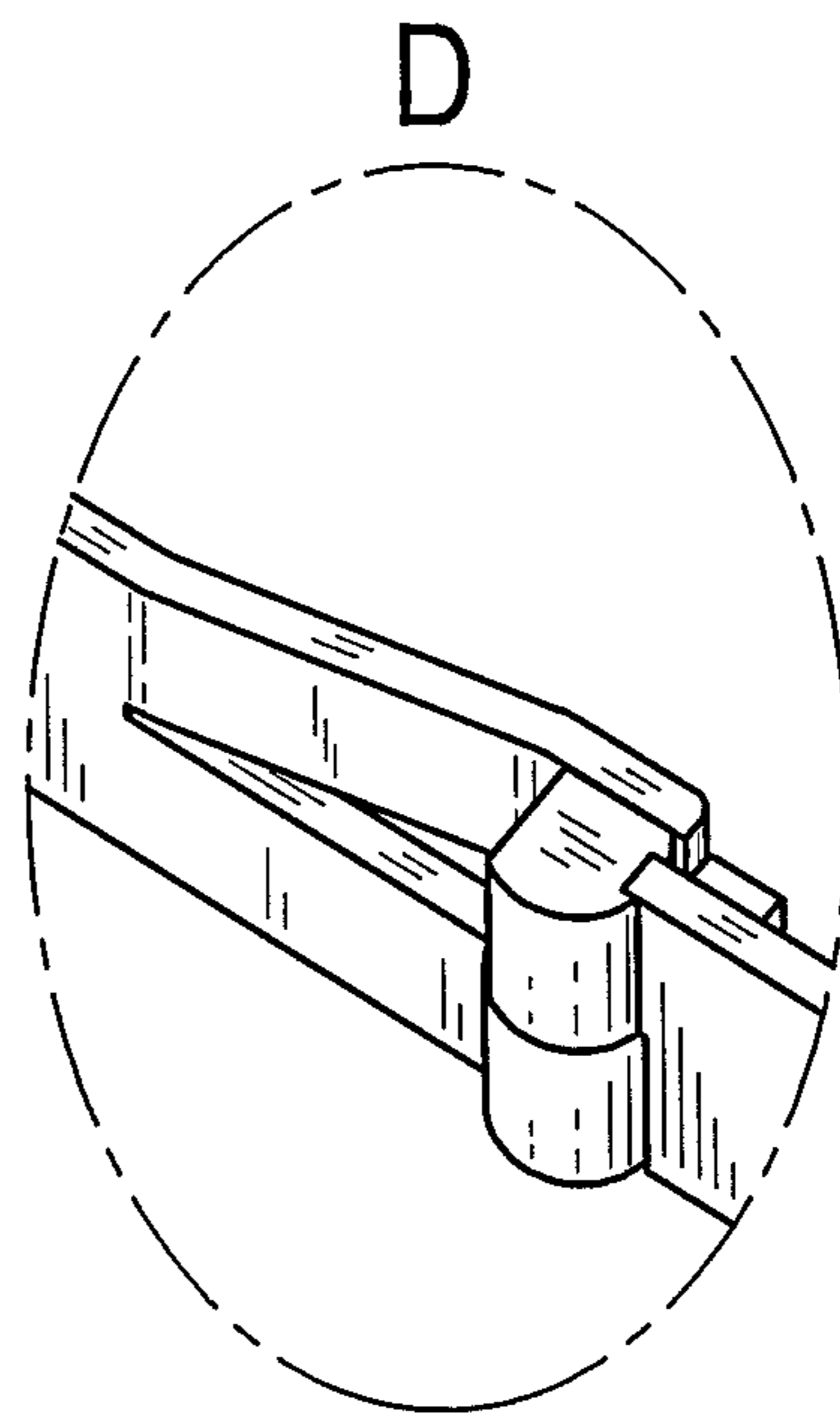


Fig.10

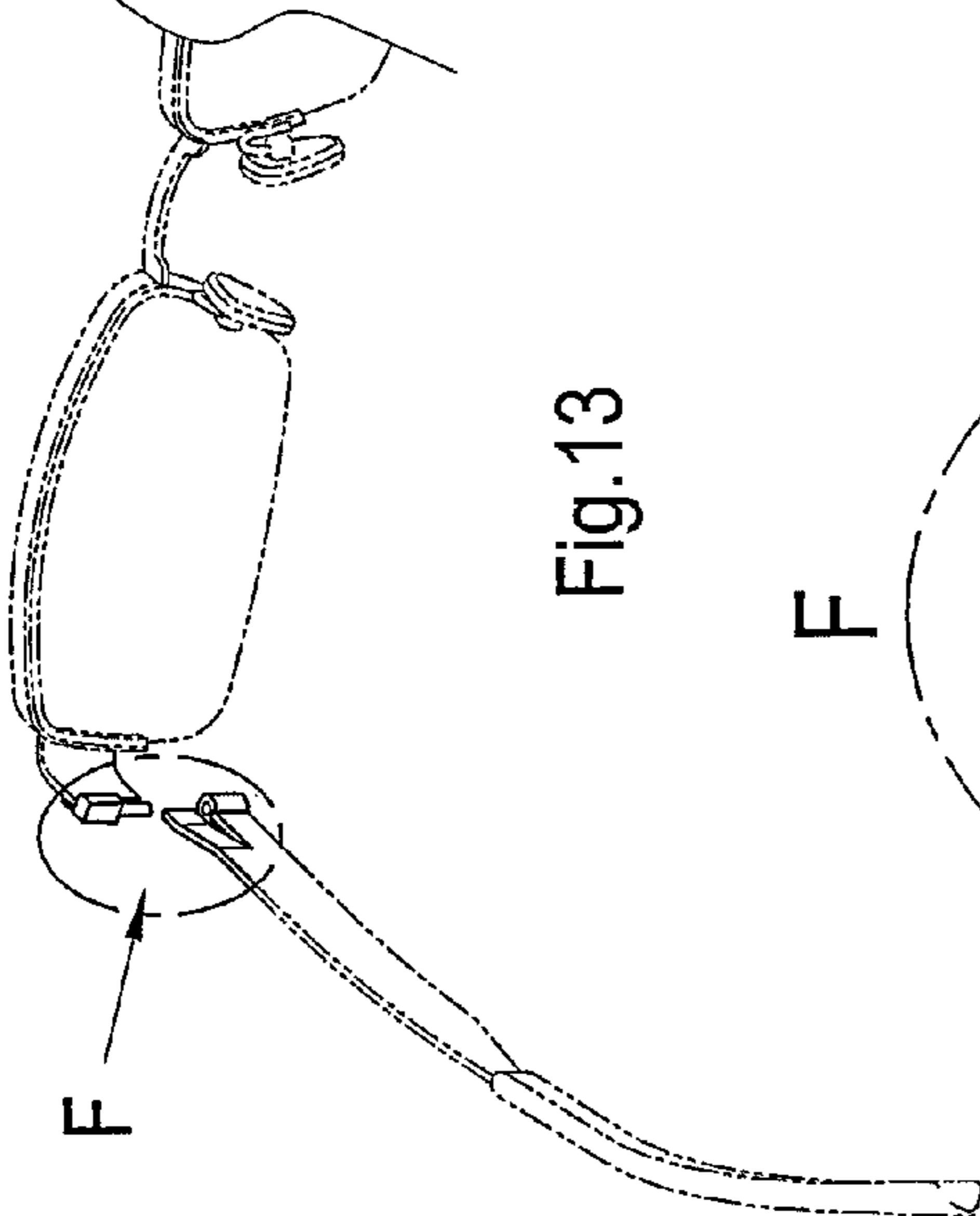


Fig. 13

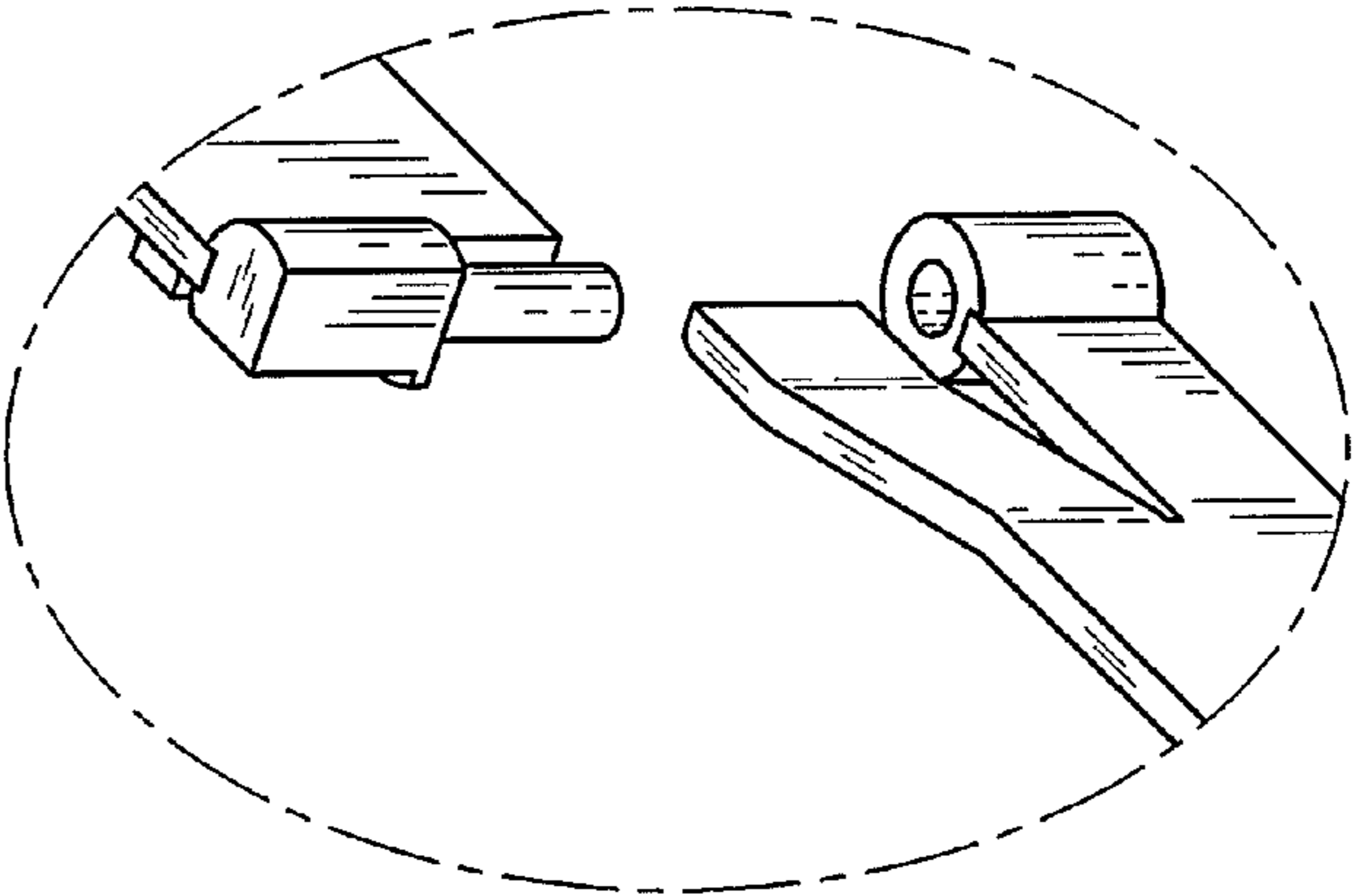


Fig. 14

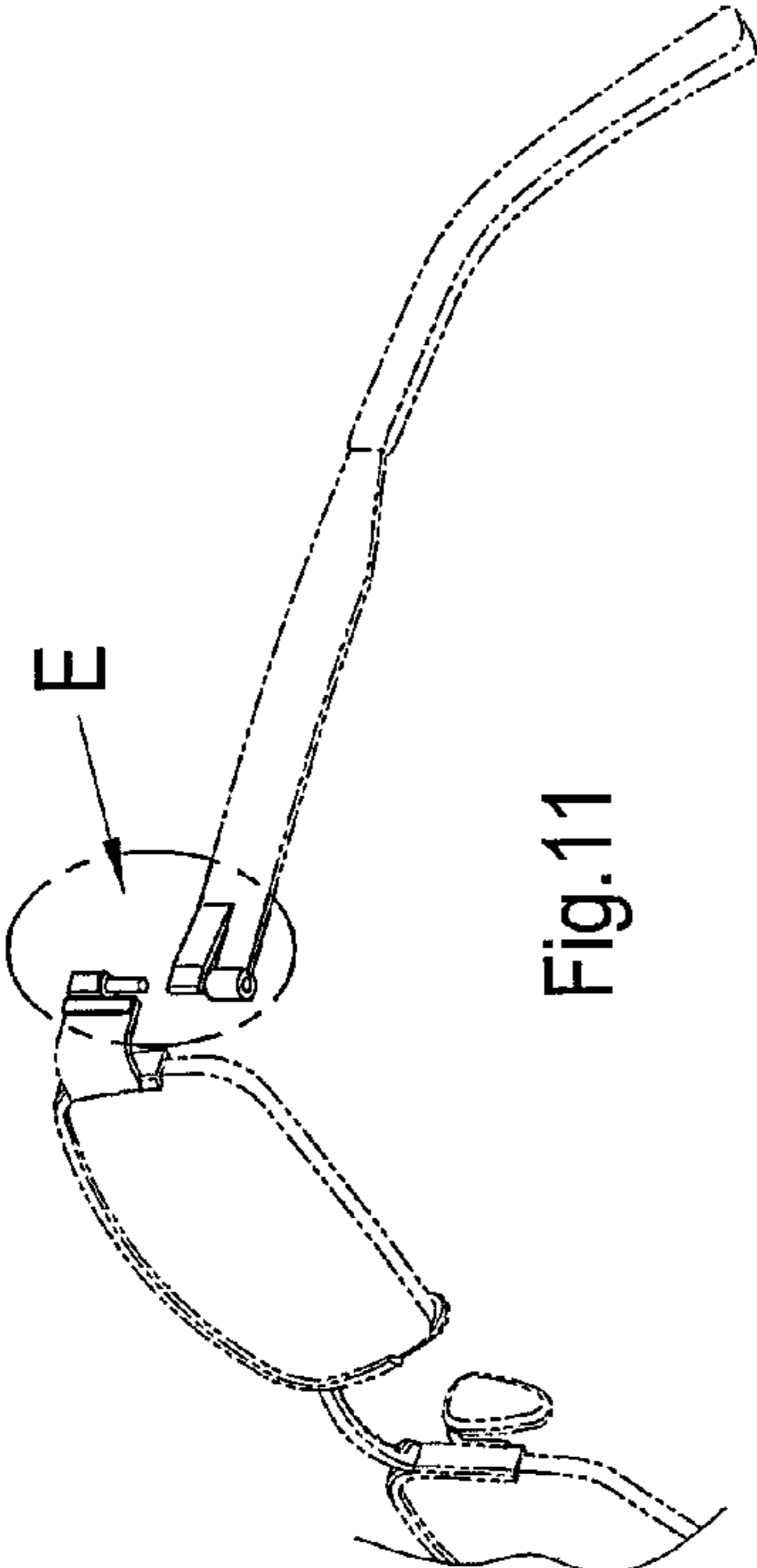


Fig. 11

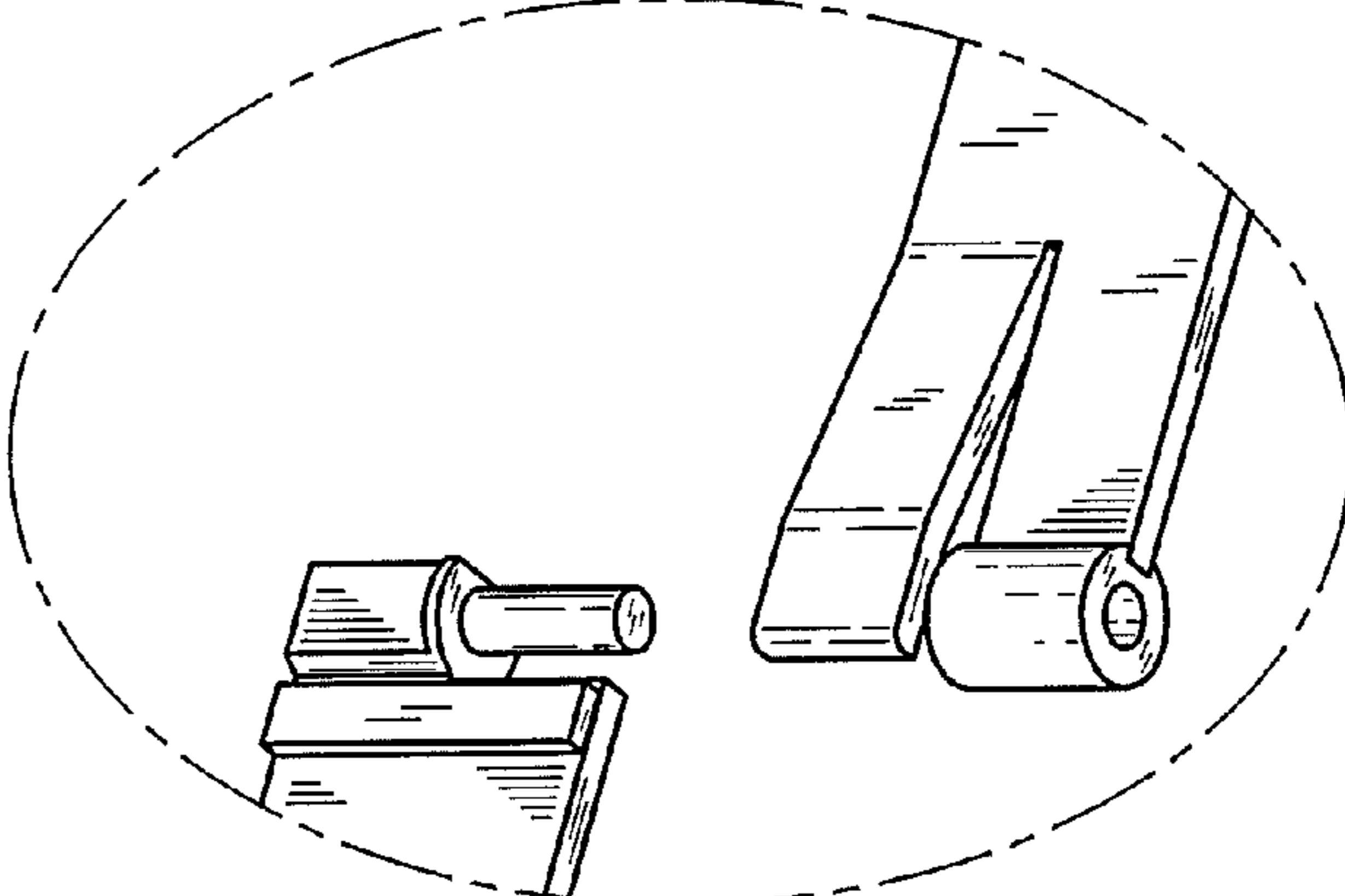


Fig. 12