



US00D682921S

(12) **United States Design Patent**  
**Sallard**

(10) **Patent No.:** **US D682,921 S**

(45) **Date of Patent:** **\*\* May 21, 2013**

(54) **SPECTACLES**

(75) Inventor: **Emmanuelle Sallard**, Paris (FR)

(73) Assignee: **Cartier Creation Studio SA**, Geneve (CH)

(\*\*) Term: **14 Years**

(21) Appl. No.: **29/429,591**

(22) Filed: **Aug. 14, 2012**

(30) **Foreign Application Priority Data**

Feb. 16, 2012 (WO) ..... DM/077 796

(51) **LOC (9) Cl.** ..... **16-06**

(52) **U.S. Cl.**  
USPC ..... **D16/323; D16/326; D16/335**

(58) **Field of Classification Search** ..... D16/101,  
D16/300-342, 900; D29/109-110; D24/110.2;  
351/41, 44, 51-52, 62, 158, 92, 103-123,  
351/140, 153, 45-46; 2/426-432, 447-449,  
2/441, 434-437, 13, 15; D21/483, 659-661;  
D14/372

See application file for complete search history.

(56) **References Cited**

**U.S. PATENT DOCUMENTS**

D139,613 S \* 12/1944 Norton ..... D16/323  
D144,289 S \* 4/1946 Colwell ..... D16/323

D172,671 S \* 7/1954 Kono ..... D16/324  
D217,394 S \* 4/1970 Huggins ..... D16/334  
D252,517 S \* 7/1979 Canavan, III ..... D16/323  
D280,731 S \* 9/1985 Haas ..... D16/324  
D284,478 S \* 7/1986 Haas ..... D16/323  
D285,210 S \* 8/1986 Marchi et al. .... D16/323  
D308,065 S \* 5/1990 Haas ..... D16/324  
D352,725 S \* 11/1994 Charriol ..... D16/320  
6,641,262 B1 \* 11/2003 Cheng ..... 351/51  
D596,662 S \* 7/2009 Gonzalez ..... D16/341  
D671,980 S \* 12/2012 Sallard ..... D16/323

\* cited by examiner

*Primary Examiner* — Raphael Barkai

(74) *Attorney, Agent, or Firm* — Krieg DeVault LLP;  
Clifford W. Browning

(57) **CLAIM**

The ornamental design for spectacles, as shown and described.

**DESCRIPTION**

FIG. 1 is a front view of the spectacles of the present invention.

FIG. 2 is a rear view of the spectacles of FIG. 1.

FIG. 3 is a right side view of the spectacles of FIG. 1.

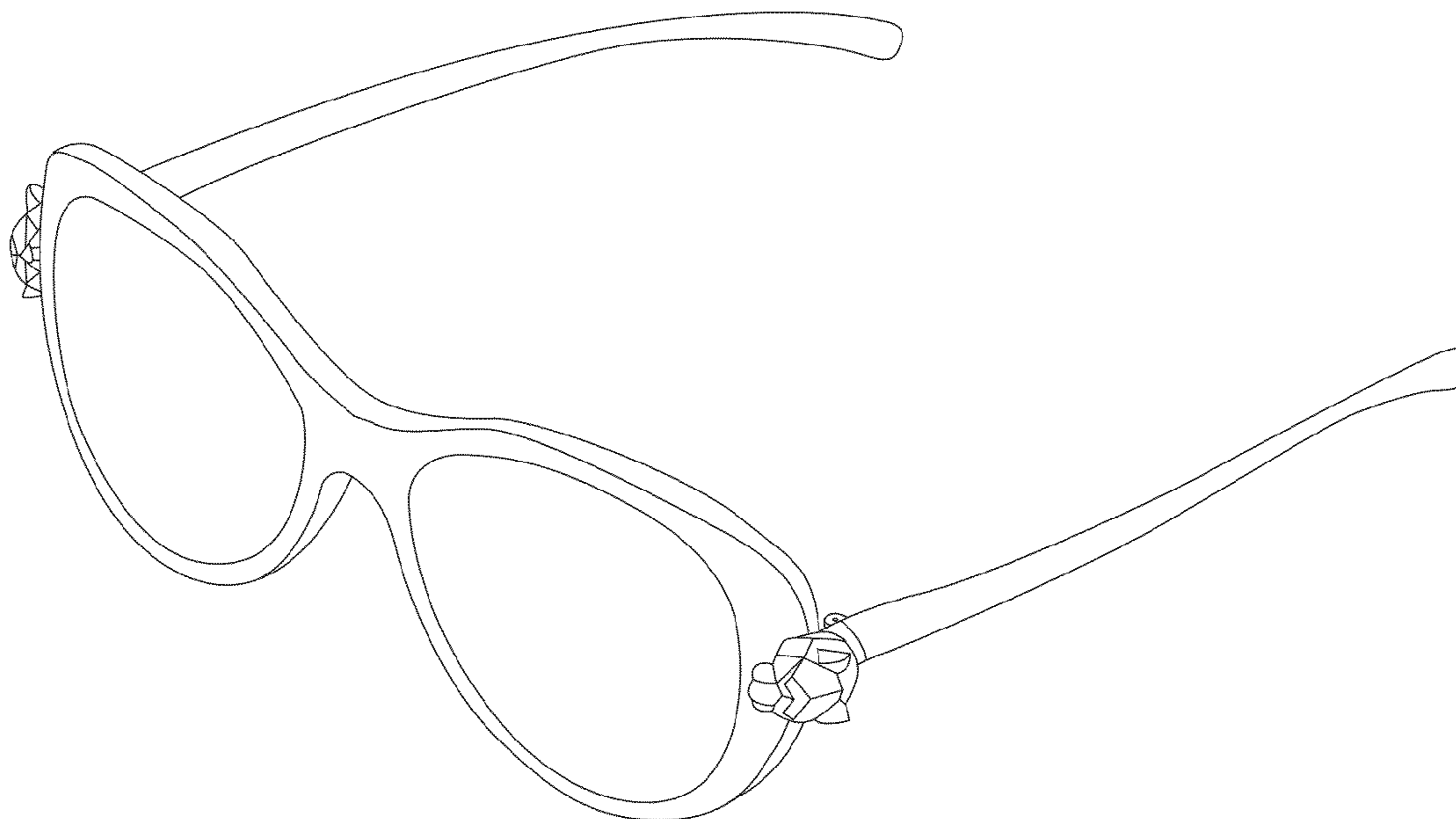
FIG. 4 is a left side view of the spectacles of FIG. 1.

FIG. 5 is a top right-side perspective view of the spectacles of FIG. 1.

FIG. 6 is a top view of the spectacles of FIG. 1; and,

FIG. 7 is a bottom view of the spectacles of FIG. 1.

**1 Claim, 2 Drawing Sheets**



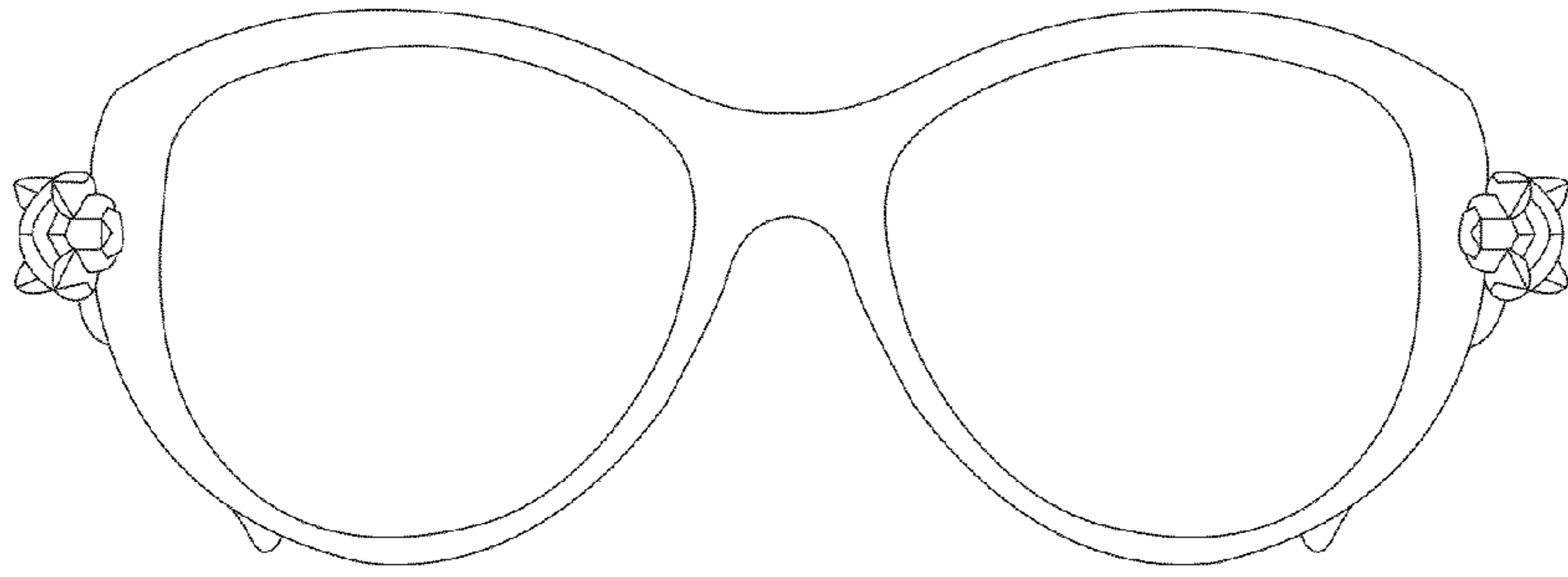


FIG. 1

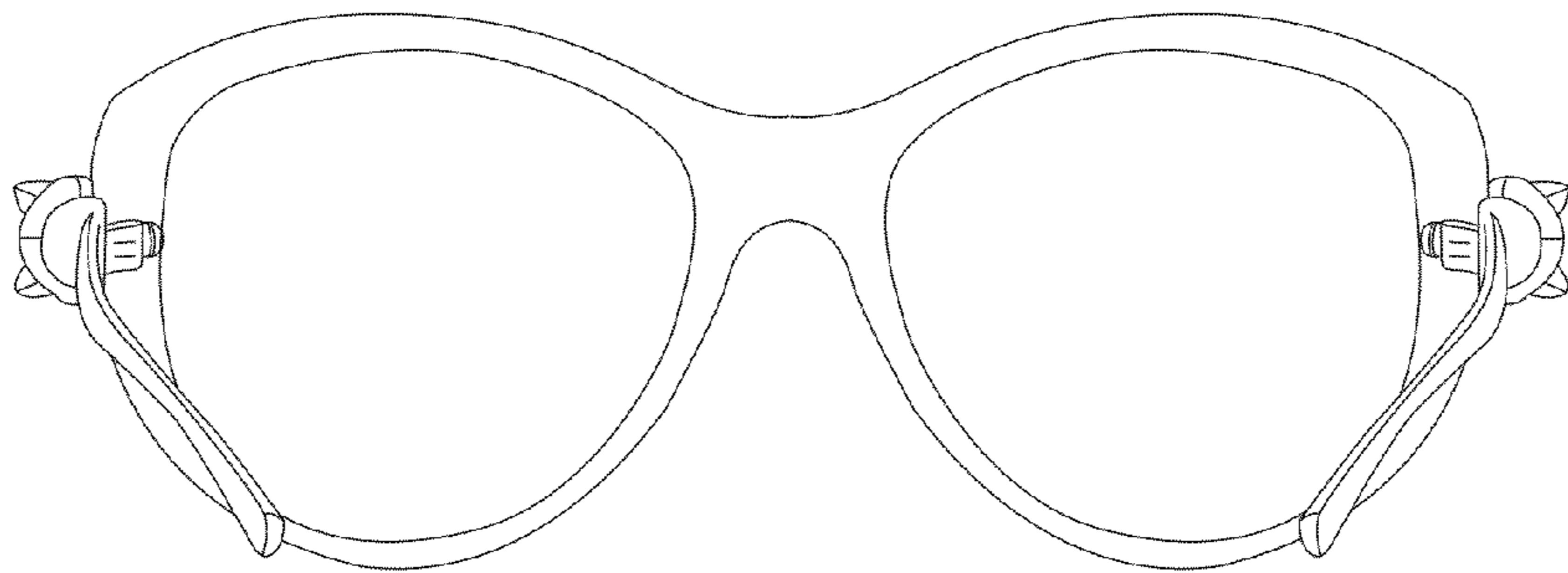


FIG. 2

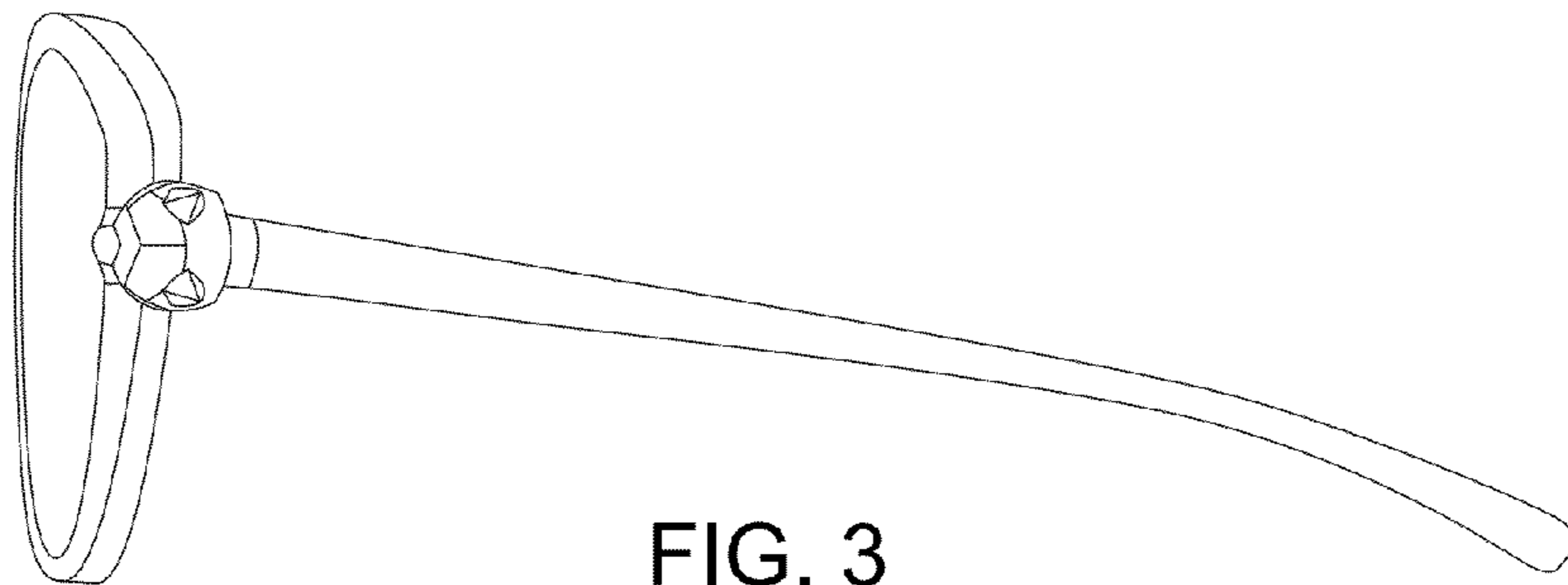


FIG. 3



FIG. 4

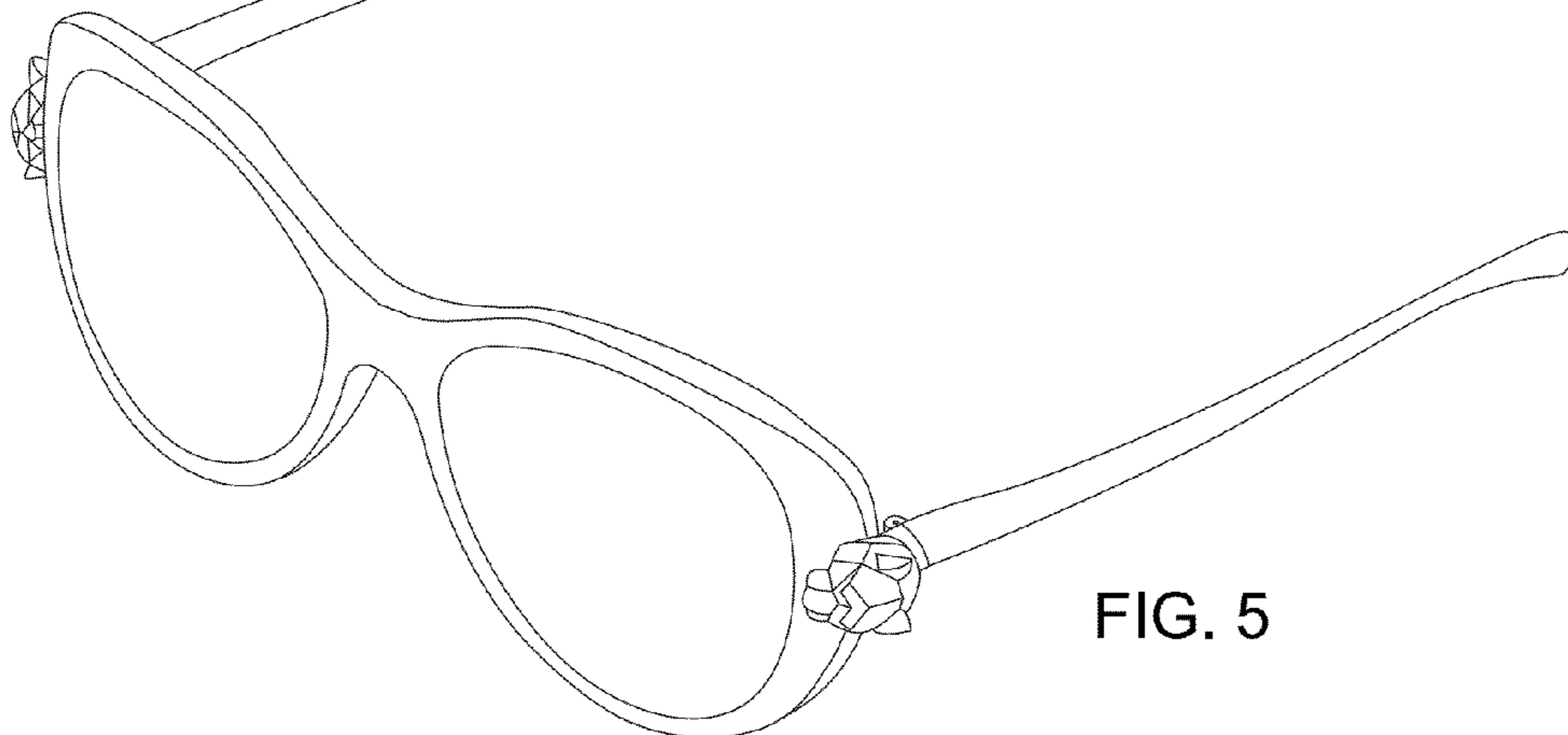


FIG. 5

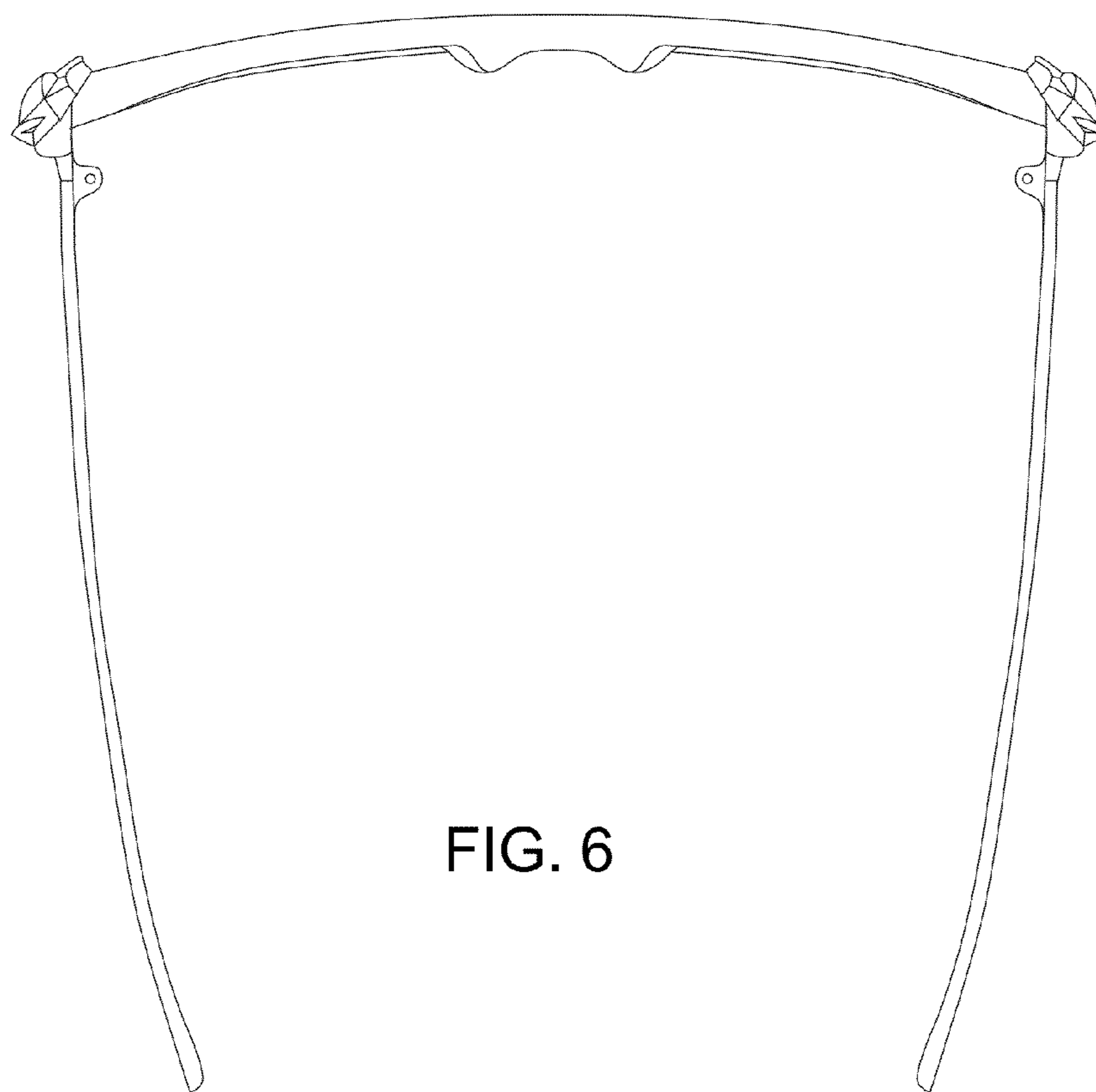


FIG. 6

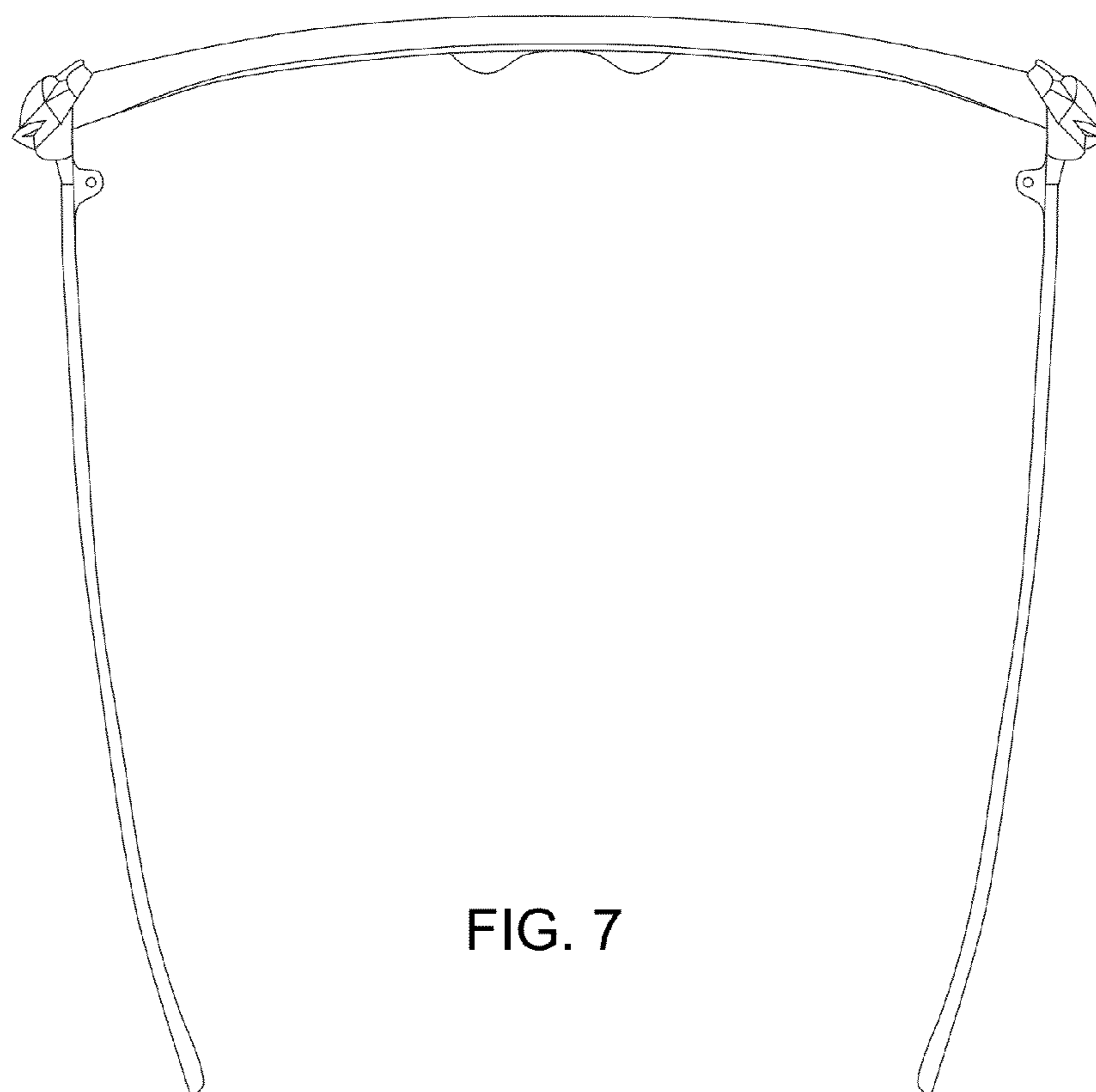


FIG. 7