



US00D682913S

(12) **United States Design Patent**
Bentz

(10) **Patent No.:** **US D682,913 S**

(45) **Date of Patent:** **** May 21, 2013**

(54) **PROJECTOR MOUNT FOR USE WITH AUDIO/VISUAL DEVICES OR THE LIKE**

(75) Inventor: **Timothy M. Bentz**, Bartlett, IL (US)

(73) Assignee: **Peerless Industries, Inc.**, Aurora, IL (US)

(**) Term: **14 Years**

(21) Appl. No.: **29/402,772**

(22) Filed: **Sep. 27, 2011**

(51) **LOC (9) Cl.** **16-02**

(52) **U.S. Cl.**
USPC **D16/235**

(58) **Field of Classification Search** D16/235, D16/242, 245; D14/224, 238, 239; D8/373, D8/383; 343/880, 882; 248/514, 518-519, 248/317, 324-325, 323, 342-343, 212.11, 248/222.12, 126, 274.1, 276.1, 278.1, 176.1, 248/177.1, 523, 527, 674, 917, 924
See application file for complete search history.

(56) **References Cited**

U.S. PATENT DOCUMENTS

6,042,068	A	3/2000	Tcherny	
D513,470	S	1/2006	Gillespie et al.	
7,156,359	B2 *	1/2007	Dittmer et al.	248/551
7,497,412	B2	3/2009	Dittmer et al.	
7,503,536	B2 *	3/2009	Friederich et al.	248/324
D611,084	S	3/2010	Anderson et al.	
D625,750	S	10/2010	Dittmer	
7,891,624	B2 *	2/2011	Dittmer et al.	248/323
D634,770	S *	3/2011	Dittmer	D16/235
7,922,139	B2	4/2011	Dittmer et al.	
7,988,119	B2 *	8/2011	Dittmer et al.	248/323

8,033,519	B2 *	10/2011	David	248/324
2007/0034764	A1	2/2007	Dittmer et al.	
2008/0179475	A1	7/2008	Whitley et al.	
2009/0316118	A1	12/2009	Dittmer	
2011/0315844	A1 *	12/2011	Dittmer et al.	248/284.1

FOREIGN PATENT DOCUMENTS

EP	1505334	A1	2/2005
GB	363739		12/1931

OTHER PUBLICATIONS

U.S. Appl. No. 29/393,798, filed Jun. 9, 2001, Bentz.

* cited by examiner

Primary Examiner — Wan Laymon

(74) *Attorney, Agent, or Firm* — Foley & Lardner LLP

(57) **CLAIM**

I claim the ornamental design for a projector mount for use with audio/visual devices or the like, as shown and described.

DESCRIPTION

FIG. 1 is a slightly reduced top perspective view of a projector mount for use with audio/visual devices or the like showing my new design;

FIG. 2 is a left side elevational view thereof;

FIG. 3 is a right side elevational view thereof;

FIG. 4 is a top plan view thereof;

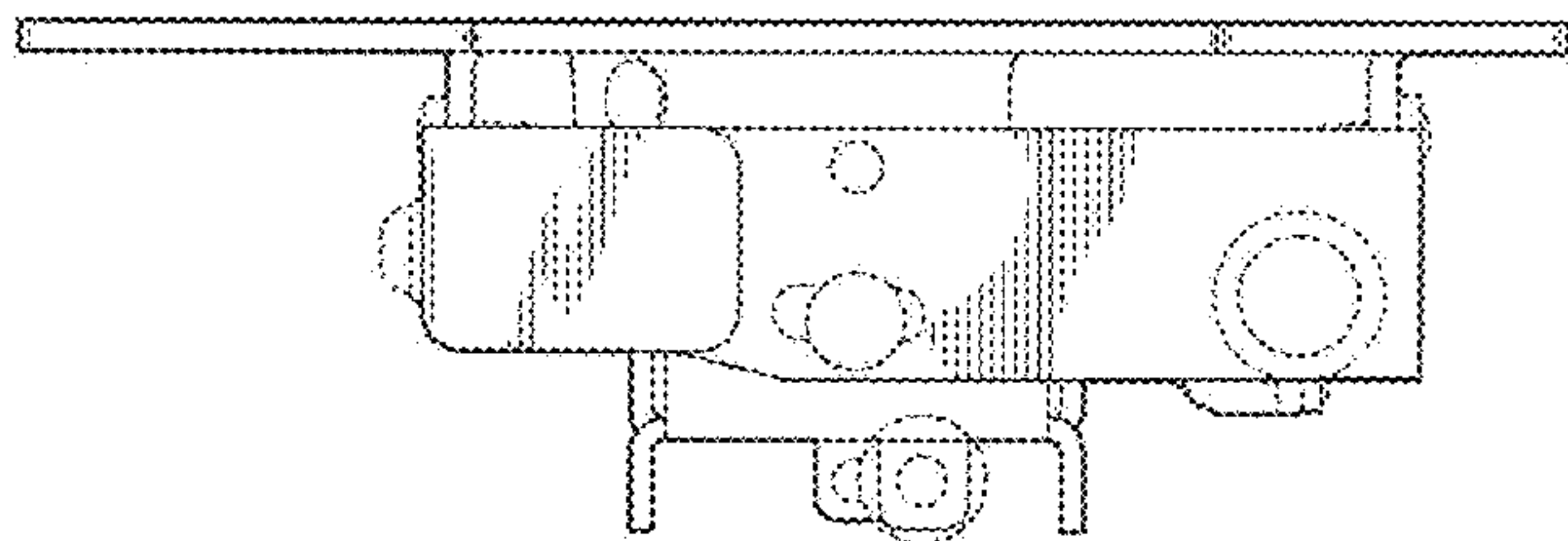
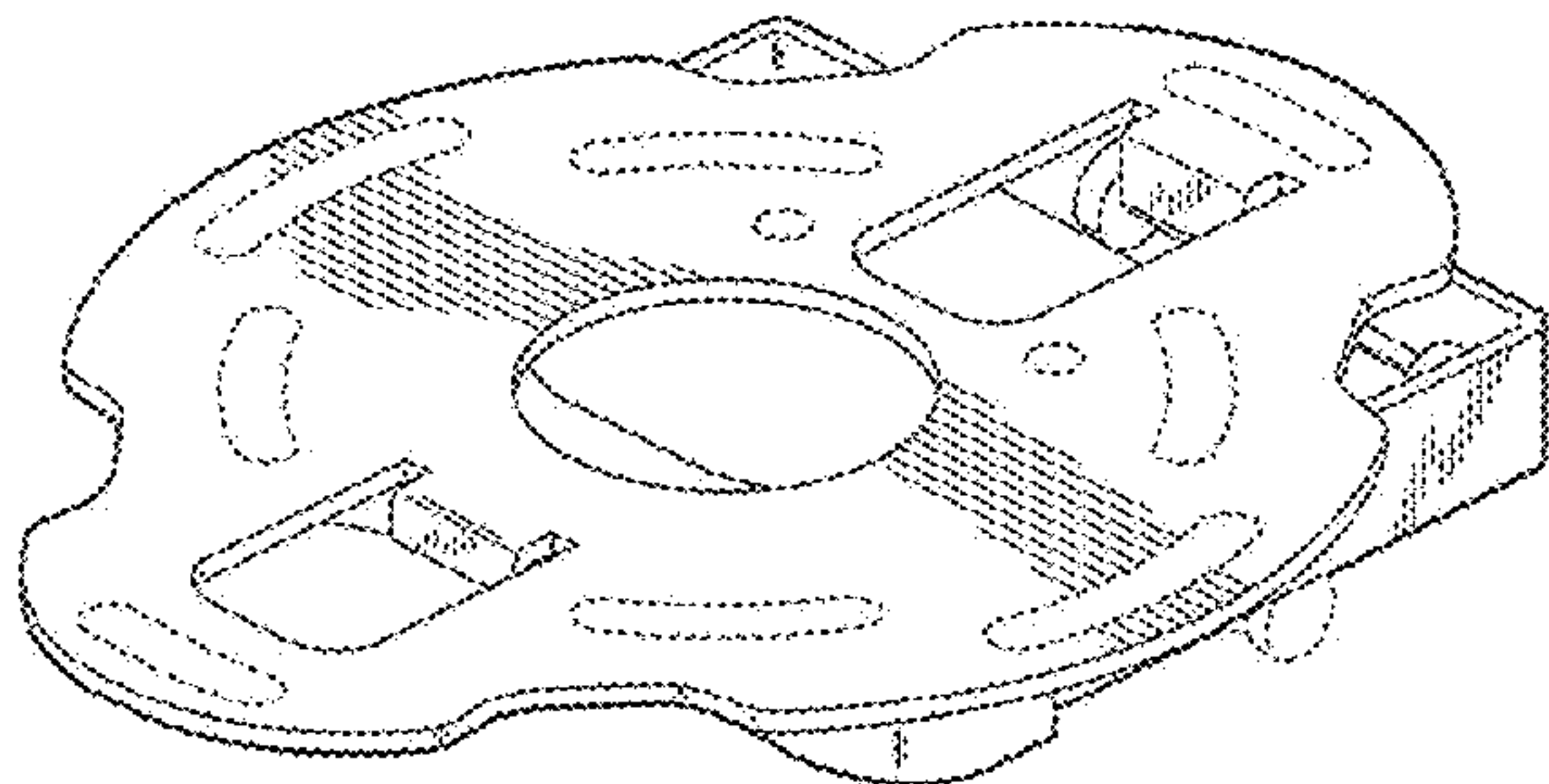
FIG. 5 is a bottom plan view thereof;

FIG. 6 is a front elevational view thereof; and,

FIG. 7 is a rear elevational view thereof.

The ornamental design which is claimed is shown in solid lines in the drawings. The broken lines in the drawings are for illustrative purposes only and form no part of the claimed design.

1 Claim, 7 Drawing Sheets



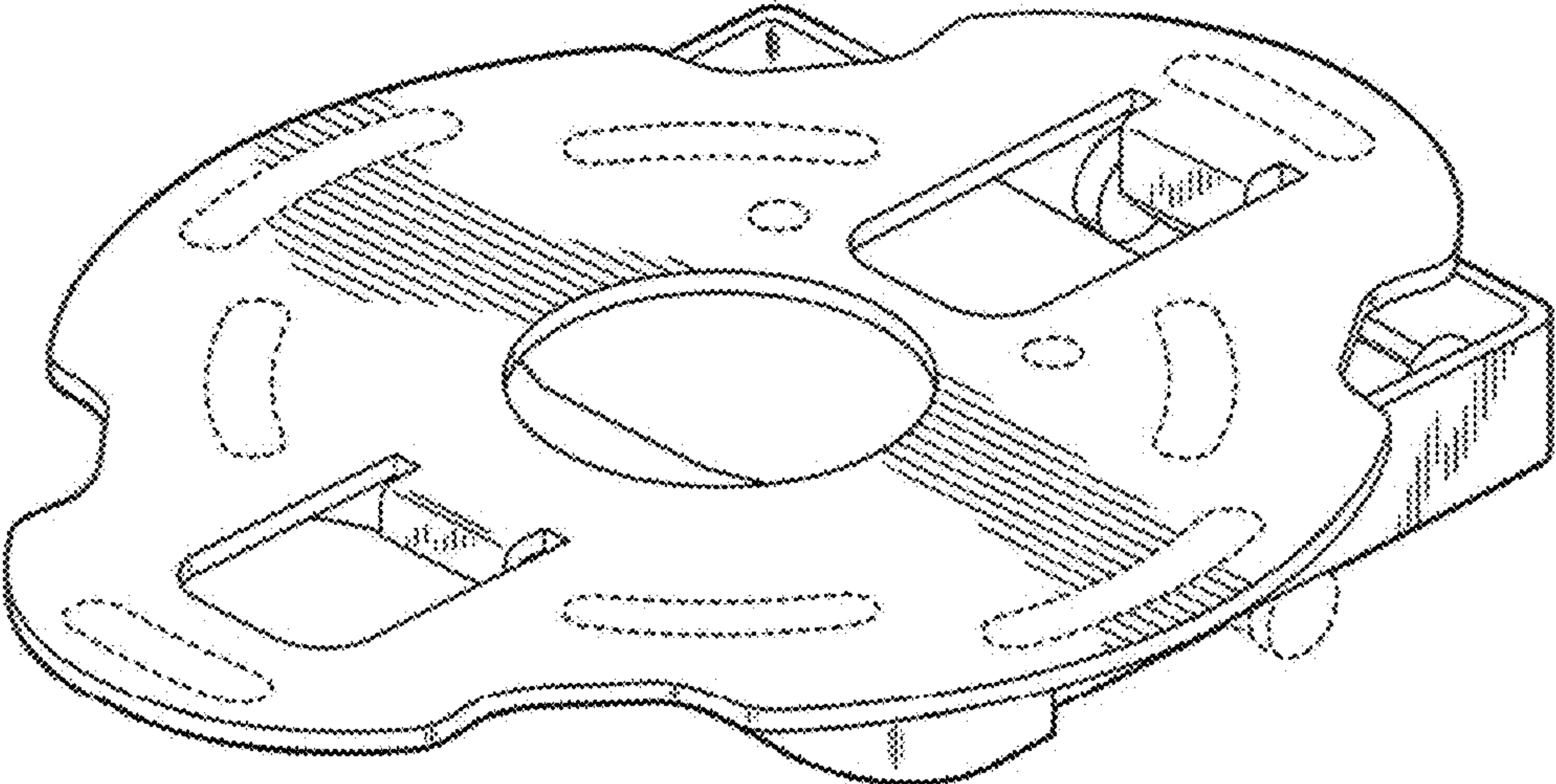


FIG. 1

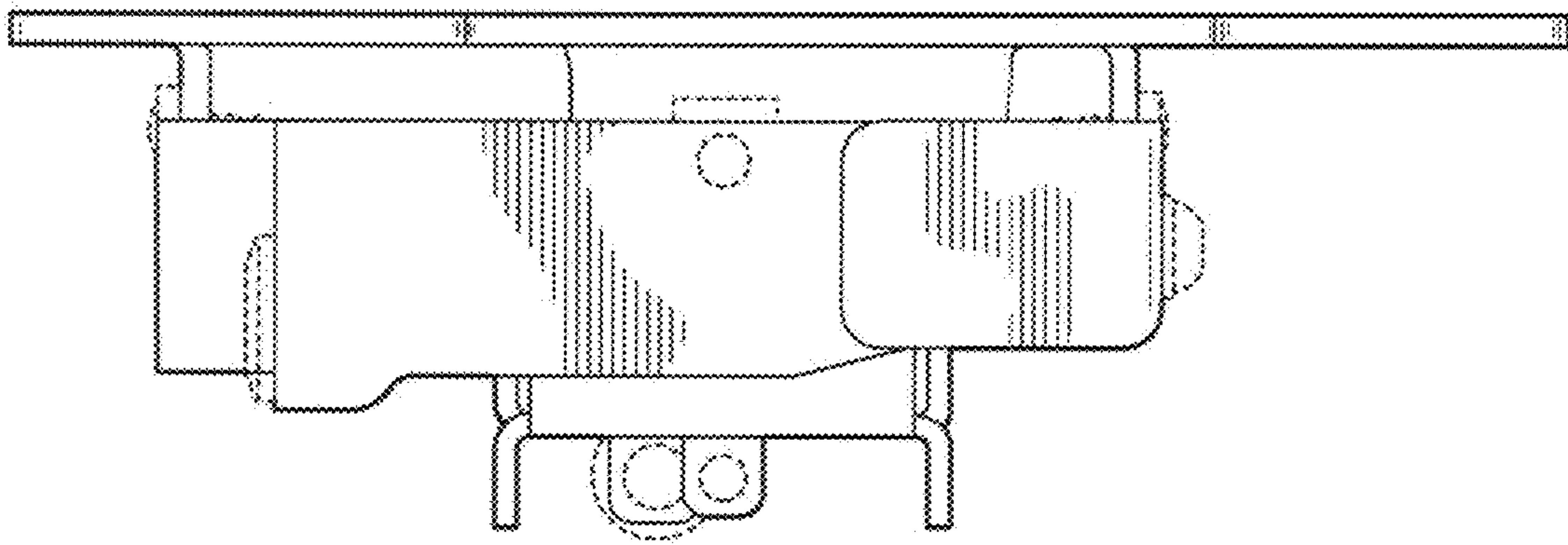


FIG. 2

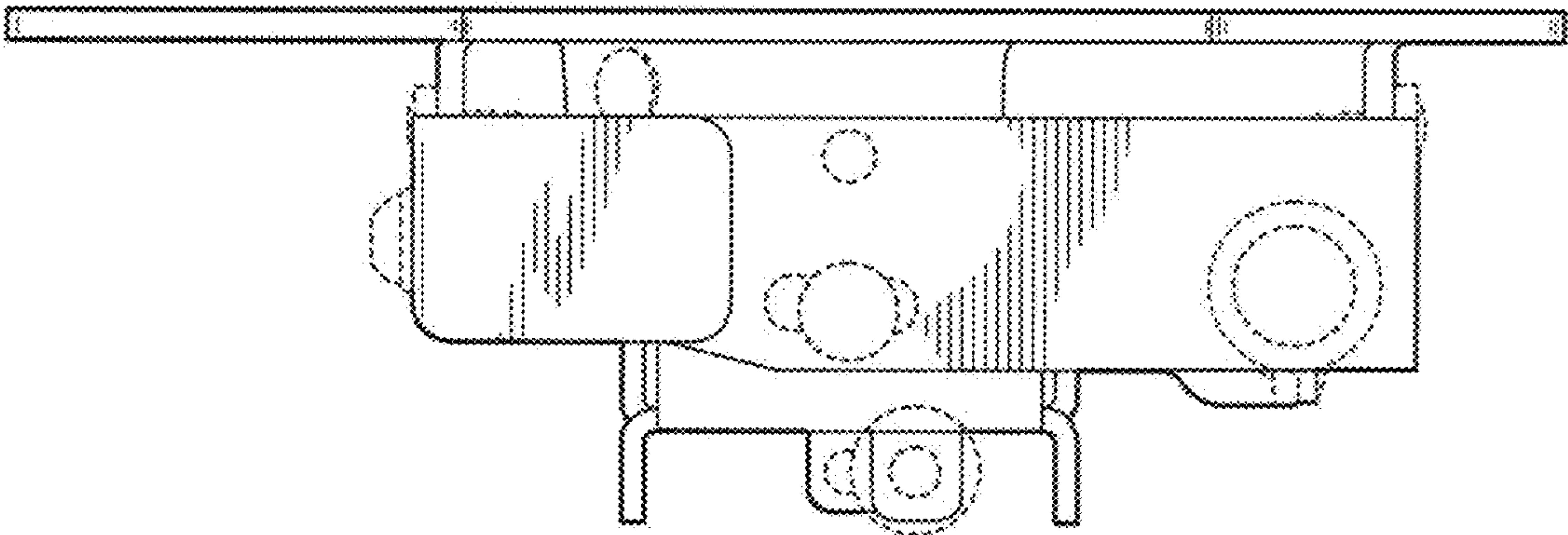


FIG. 3

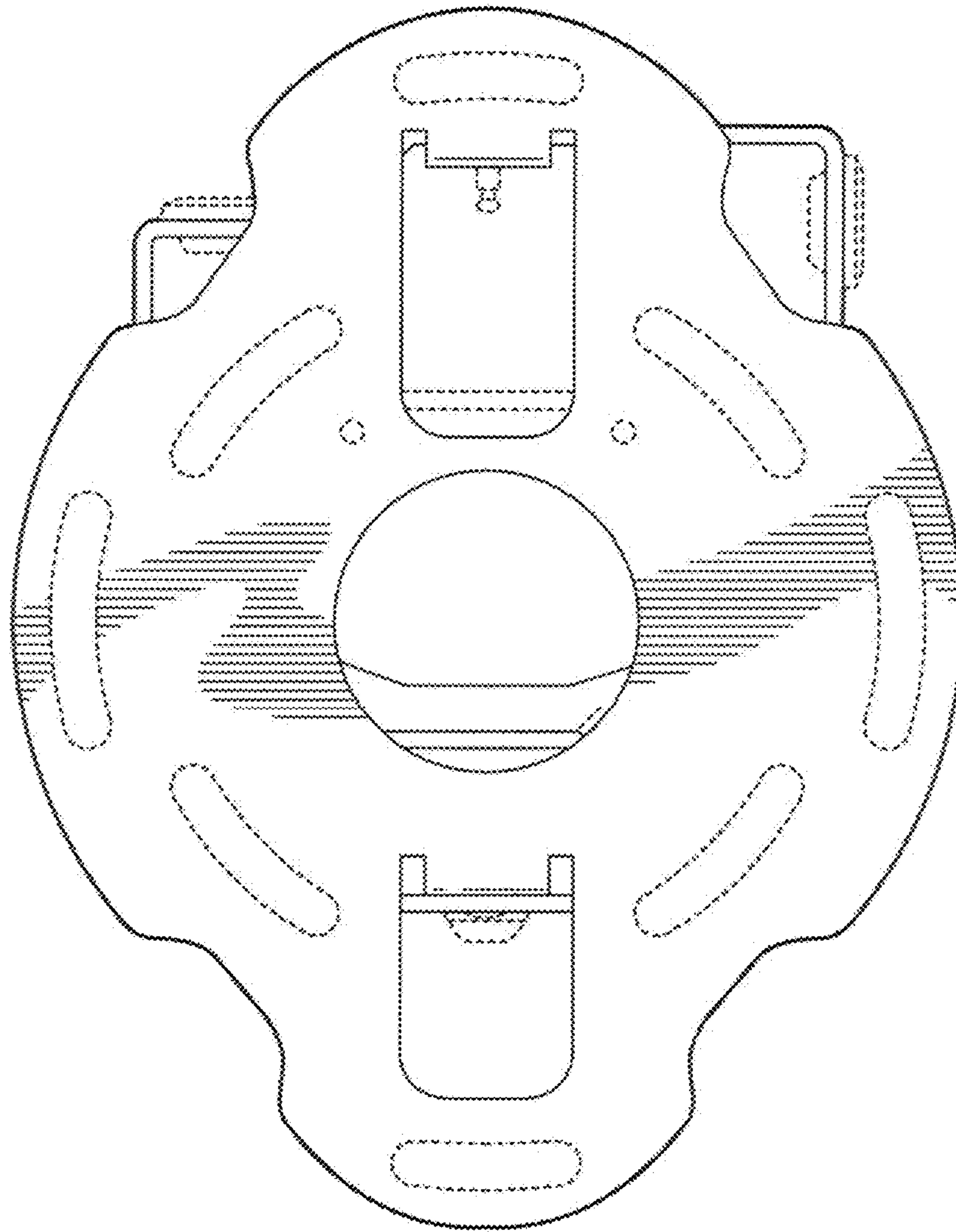


FIG. 4

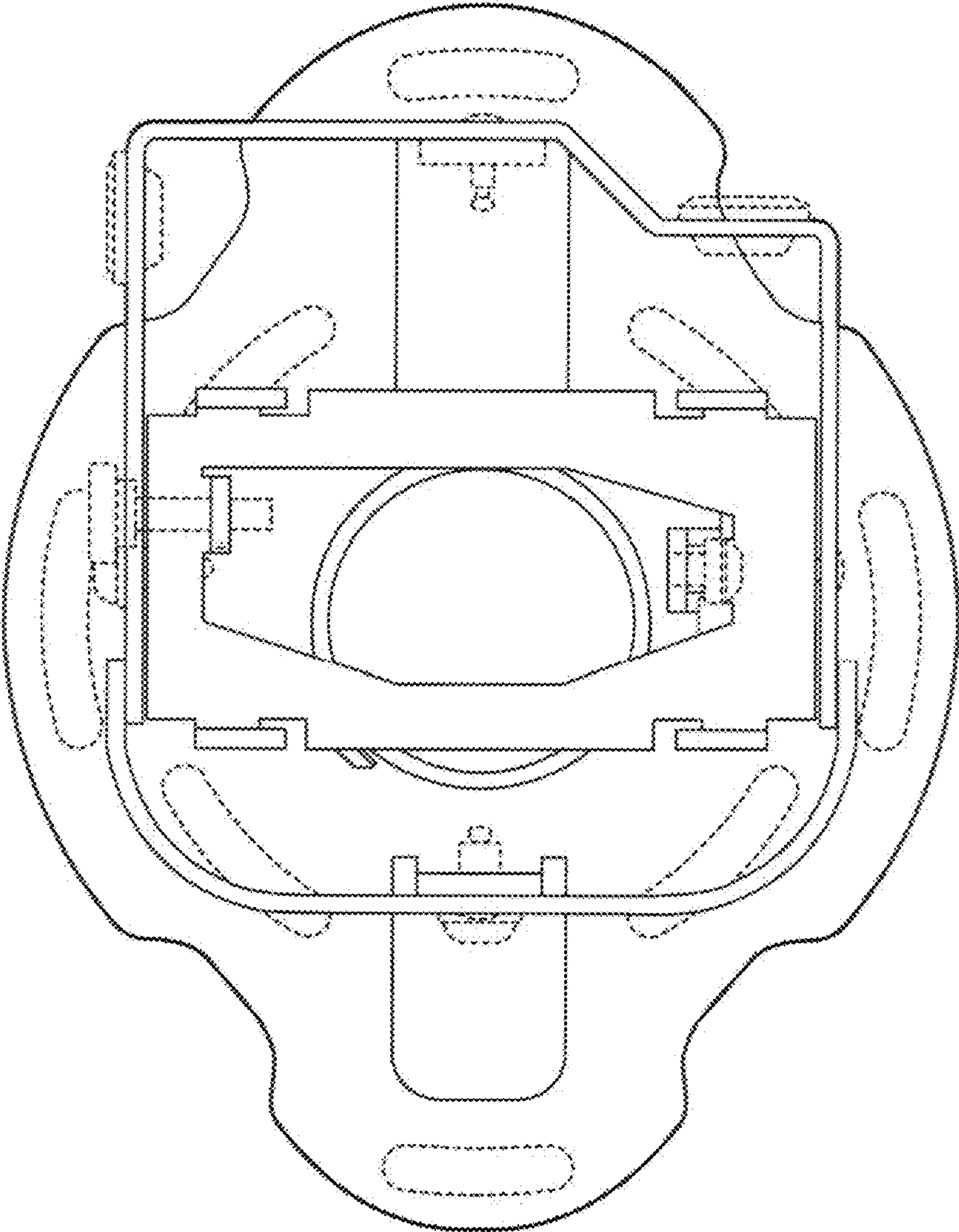


FIG. 5

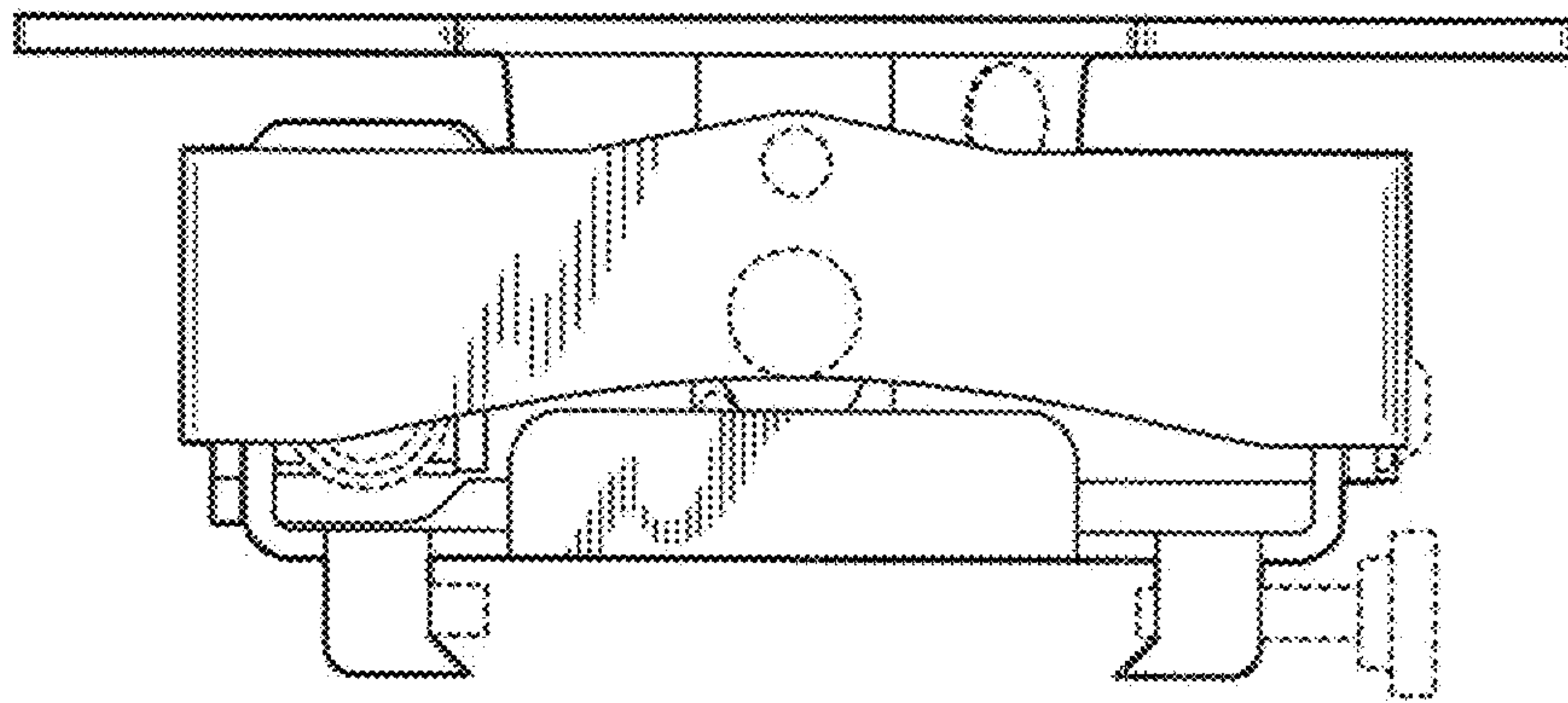


FIG. 6

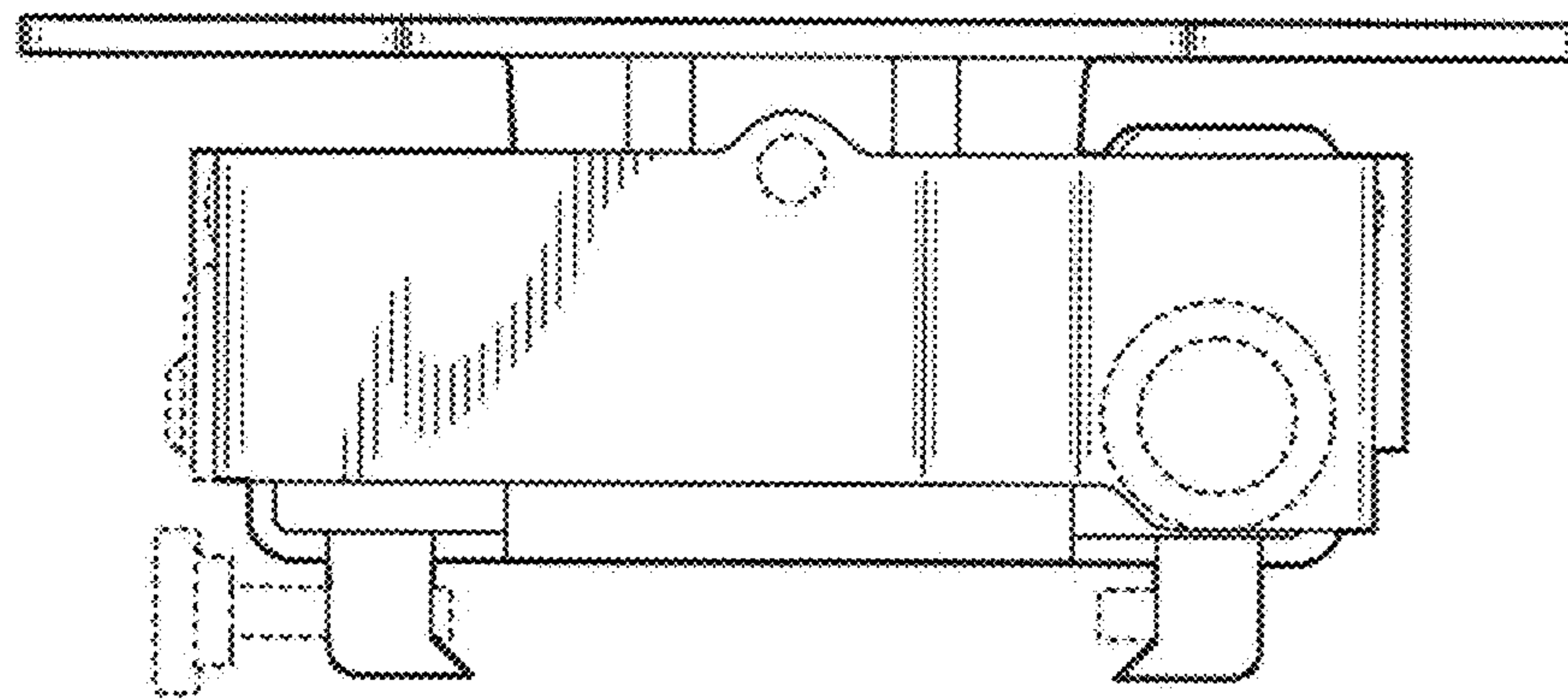


FIG. 7