

US00D682912S

(12) **United States Design Patent**  
**Takagi**

(10) **Patent No.:** **US D682,912 S**

(45) **Date of Patent:** **\*\* May 21, 2013**

(54) **VIDEO CAMERA**

(75) Inventor: **Noriaki Takagi**, Tokyo (JP)

(73) Assignee: **Sony Corporation**, Tokyo (JP)

(\*\*) Term: **14 Years**

(21) Appl. No.: **29/421,506**

(22) Filed: **Aug. 3, 2012**

**Related U.S. Application Data**

(63) Continuation of application No. 29/347,912, filed on Jul. 26, 2010, now Pat. No. Des. 665,834, which is a continuation of application No. 29/309,578, filed on Sep. 5, 2008, now Pat. No. Des. 620,965.

(30) **Foreign Application Priority Data**

Mar. 7, 2008	(JP)	.....	D005721
Mar. 31, 2008	(CN)	.....	2008 3 0002598
Mar. 31, 2008	(JP)	.....	D008239
Mar. 31, 2008	(JP)	.....	D008240
Mar. 31, 2008	(JP)	.....	D008241
Mar. 31, 2008	(JP)	.....	D008242
Mar. 31, 2008	(JP)	.....	D008243
Mar. 31, 2008	(JP)	.....	D008244
Mar. 31, 2008	(JP)	.....	D008245

(51) **LOC (9) Cl.** ..... **16-05**

(52) **U.S. Cl.**  
USPC ..... **D16/219**

(58) **Field of Classification Search** ..... D16/200–203,  
D16/208, 218, 219; 348/373–376; 358/906;  
396/535–541

See application file for complete search history.

(56) **References Cited**

**U.S. PATENT DOCUMENTS**

D154,834 S	8/1949	Bellek
D222,885 S	1/1972	Smith

D308,626 S	6/1990	Villarreal
D396,051 S	7/1998	Mori
D463,469 S	9/2002	Kawase
D476,363 S	6/2003	Hung
D484,164 S	12/2003	Ogura
D486,510 S	2/2004	Ogura
D489,746 S	5/2004	Ogura
D491,595 S *	6/2004	Senda ..... D16/219
D505,686 S *	5/2005	Ikenaga ..... D16/219
D509,193 S	9/2005	Piedmont

(Continued)

*Primary Examiner* — Adir Aronovich

(74) *Attorney, Agent, or Firm* — Rader, Fishman & Grauer PLLC

(57) **CLAIM**

The ornamental design for a video camera, as shown and described.

**DESCRIPTION**

FIG. 1 is a perspective view of a video camera showing my new design, wherein the viewing screen is in a first closed position;

FIG. 2 is a rear elevational thereof, wherein the viewing screen is in a first open position;

FIG. 3 is a perspective view thereof, wherein the viewing screen is in a second open position;

FIG. 4 is a perspective view thereof, wherein the viewing screen is in a third open position;

FIG. 5 is a perspective view thereof, wherein the viewing screen is in a second closed position;

FIG. 6 is a front elevational thereof, wherein the viewing screen is in the first closed position;

FIG. 7 is a rear elevational view thereof;

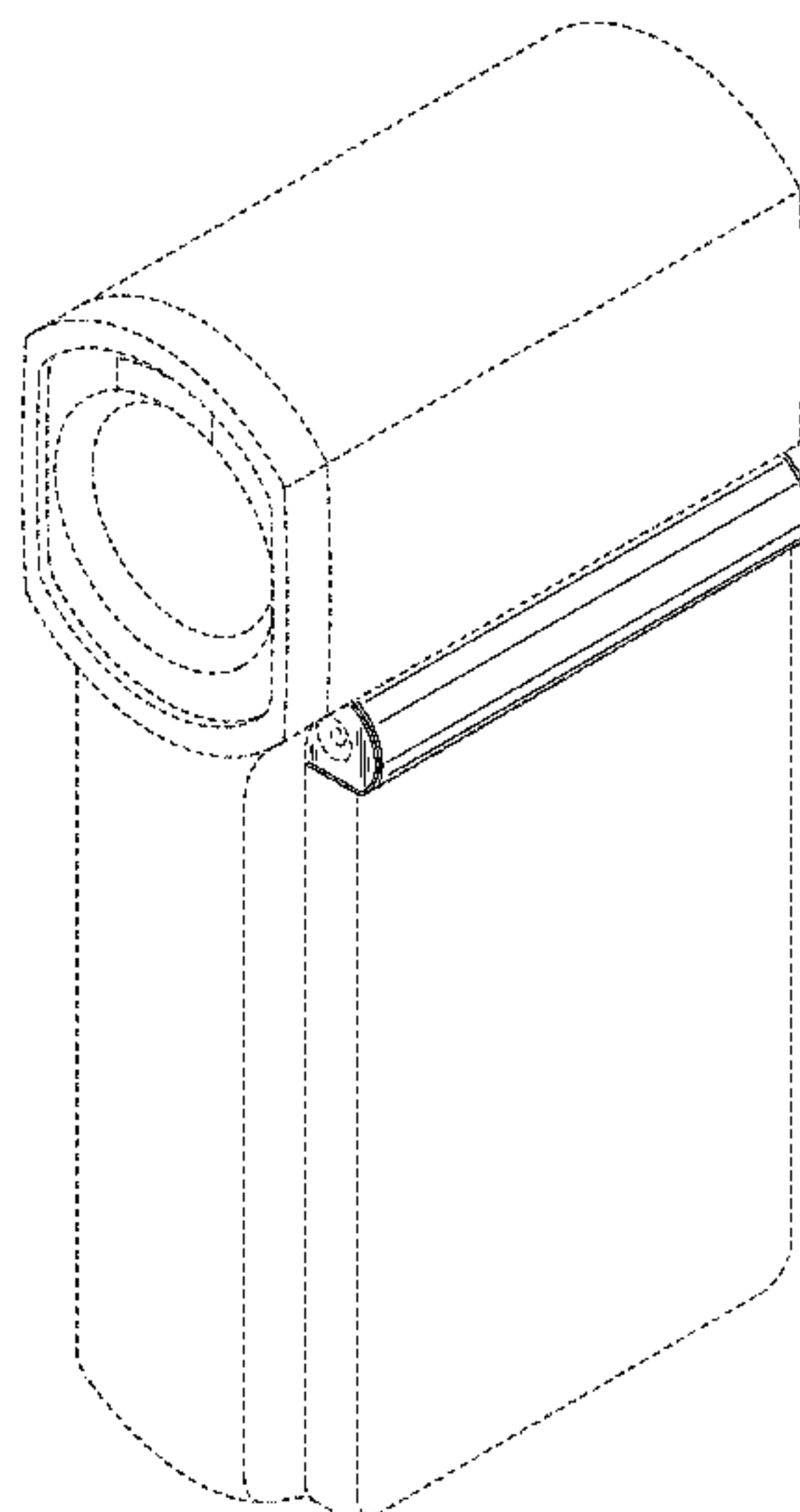
FIG. 8 is a right side elevational view thereof;

FIG. 9 is a top plan view thereof; and,

FIG. 10 is a bottom plan view thereof.

The even broken line showings in all figures are for illustrative purpose only and form no part of the claimed design.

**1 Claim, 10 Drawing Sheets**



# US D682,912 S

Page 2

---

## U.S. PATENT DOCUMENTS

D524,841 S	7/2006	Ikenaga		D566,157 S *	4/2008	Naito et al.	.....	D16/219
D534,195 S	12/2006	Ikenaga		D566,743 S	4/2008	Shimizu		
D548,049 S	8/2007	Millward et al.		D569,405 S *	5/2008	Ota et al.	.....	D16/202
D557,720 S	12/2007	Shimizu		D580,472 S *	11/2008	Ishii	.....	D16/219
D559,289 S	1/2008	Shimizu		D581,962 S *	12/2008	Takagi	.....	D16/219
D559,878 S	1/2008	Sadatsuki		7,675,478 B2 *	3/2010	Yamazaki	.....	358/906
D565,624 S *	4/2008	Inaba	.....	D628,226 S *	11/2010	Hibi et al.	.....	D16/219
D566,152 S	4/2008	Shimizu		7,927,029 B2	4/2011	Fujii et al.		

\* cited by examiner

FIG. 1

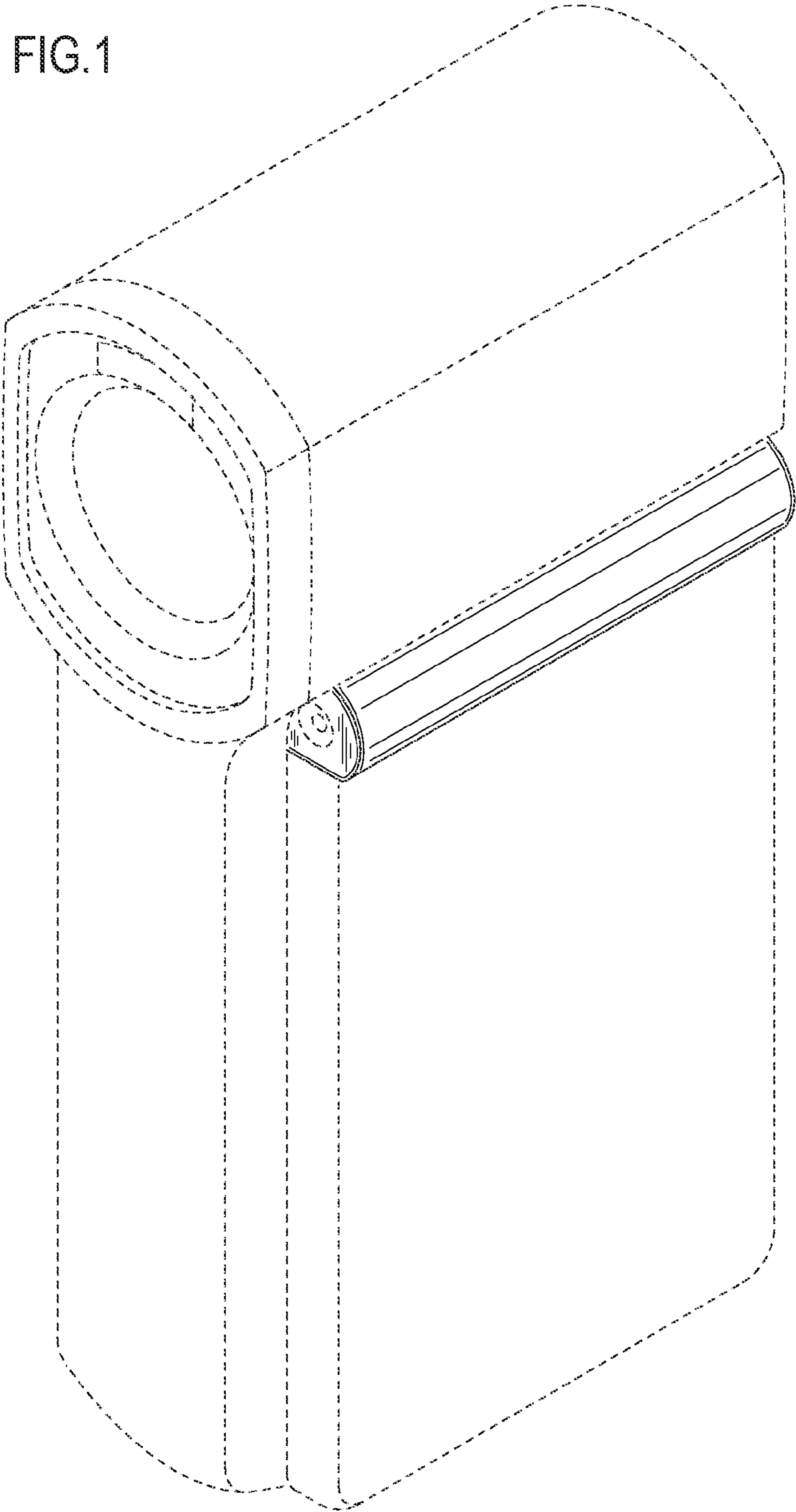


FIG.2

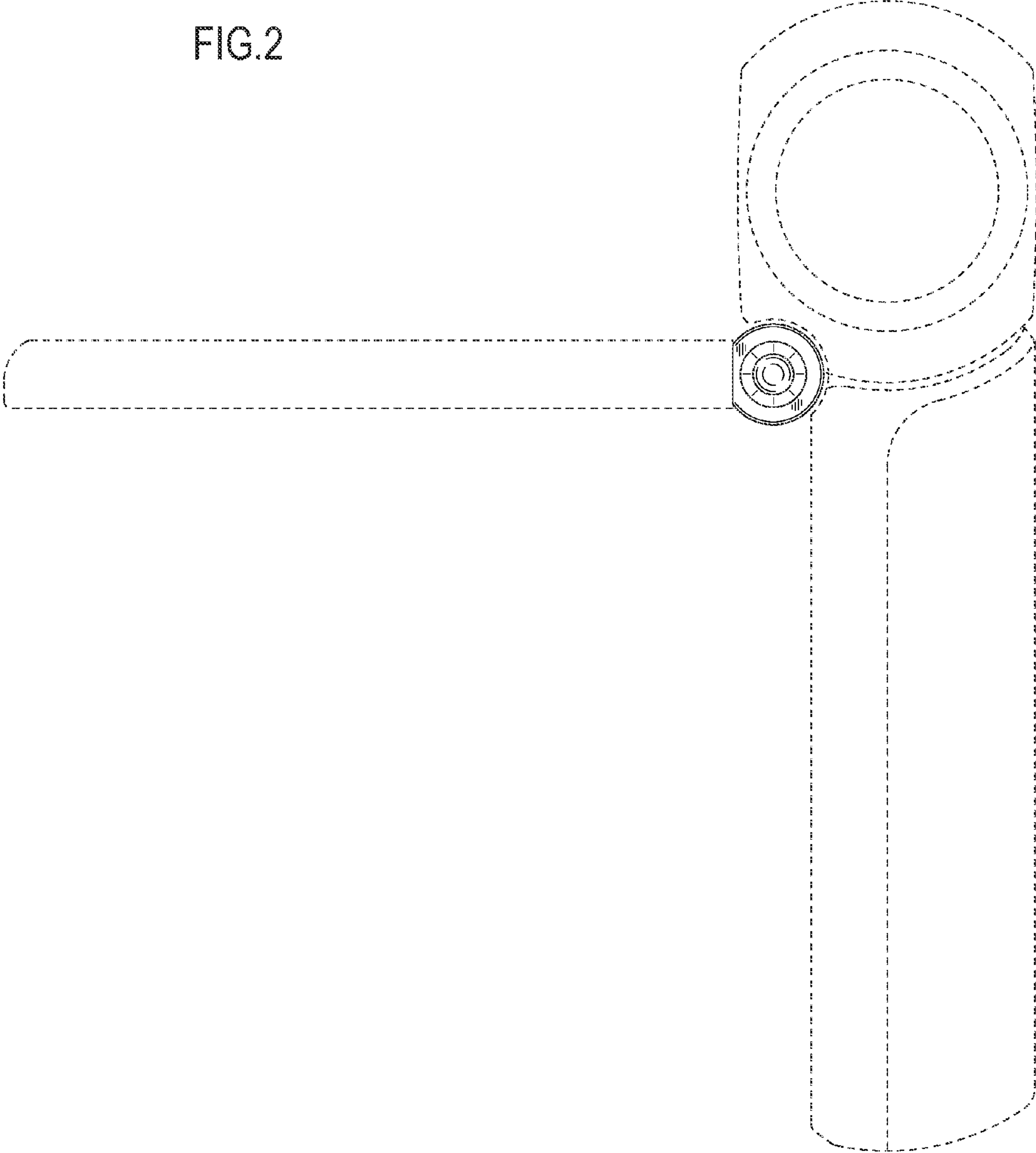


FIG.3

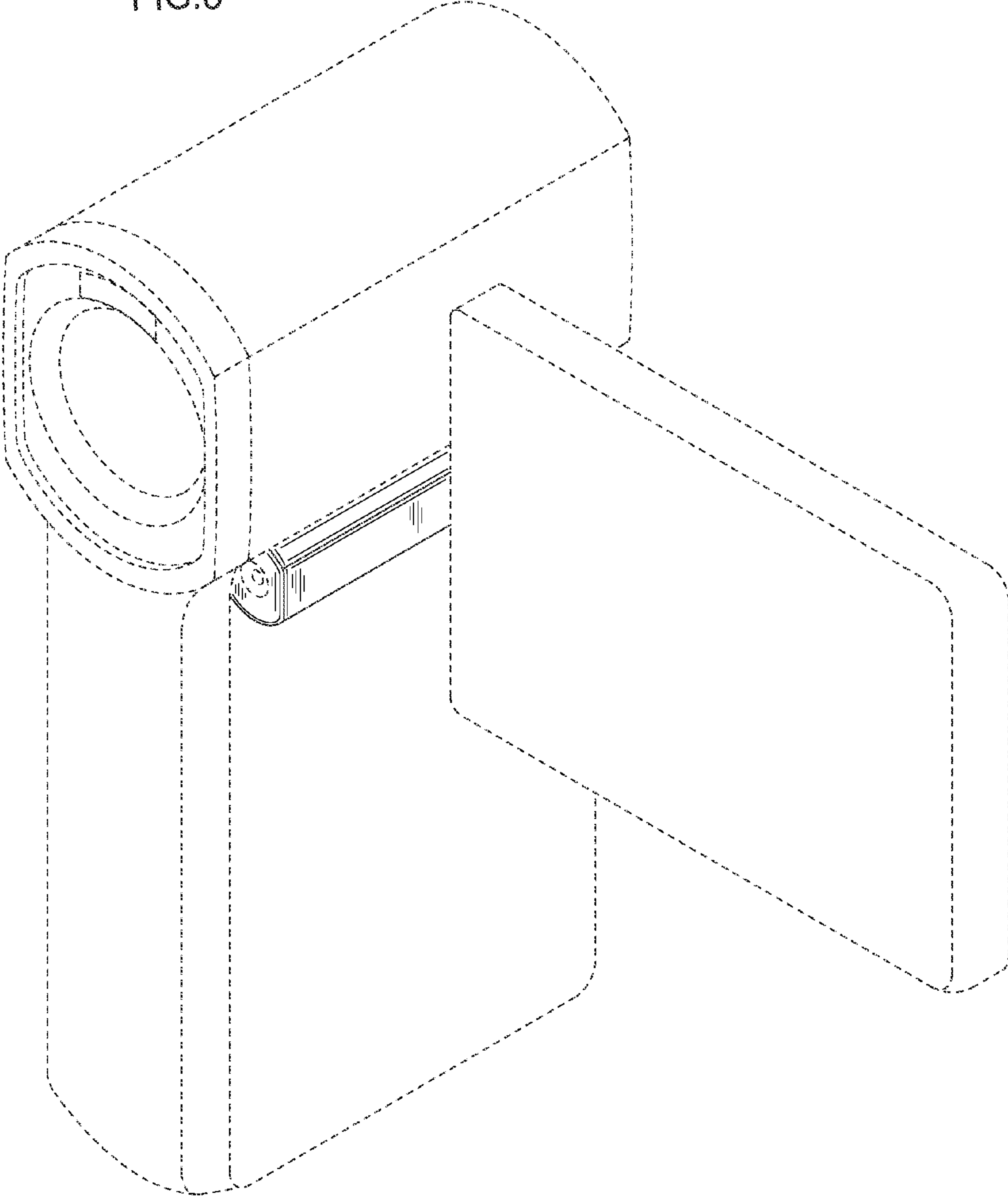


FIG.4

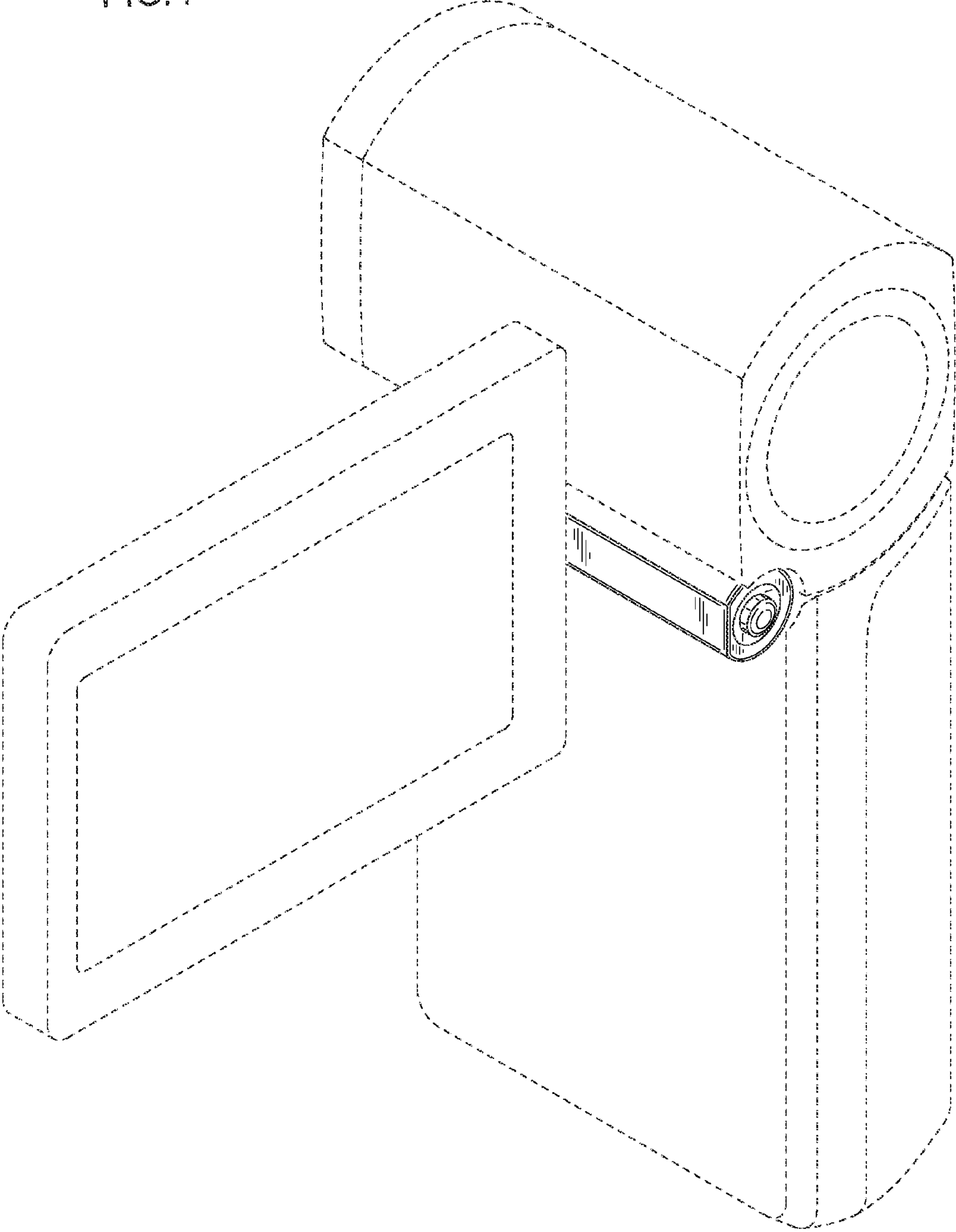




FIG.5

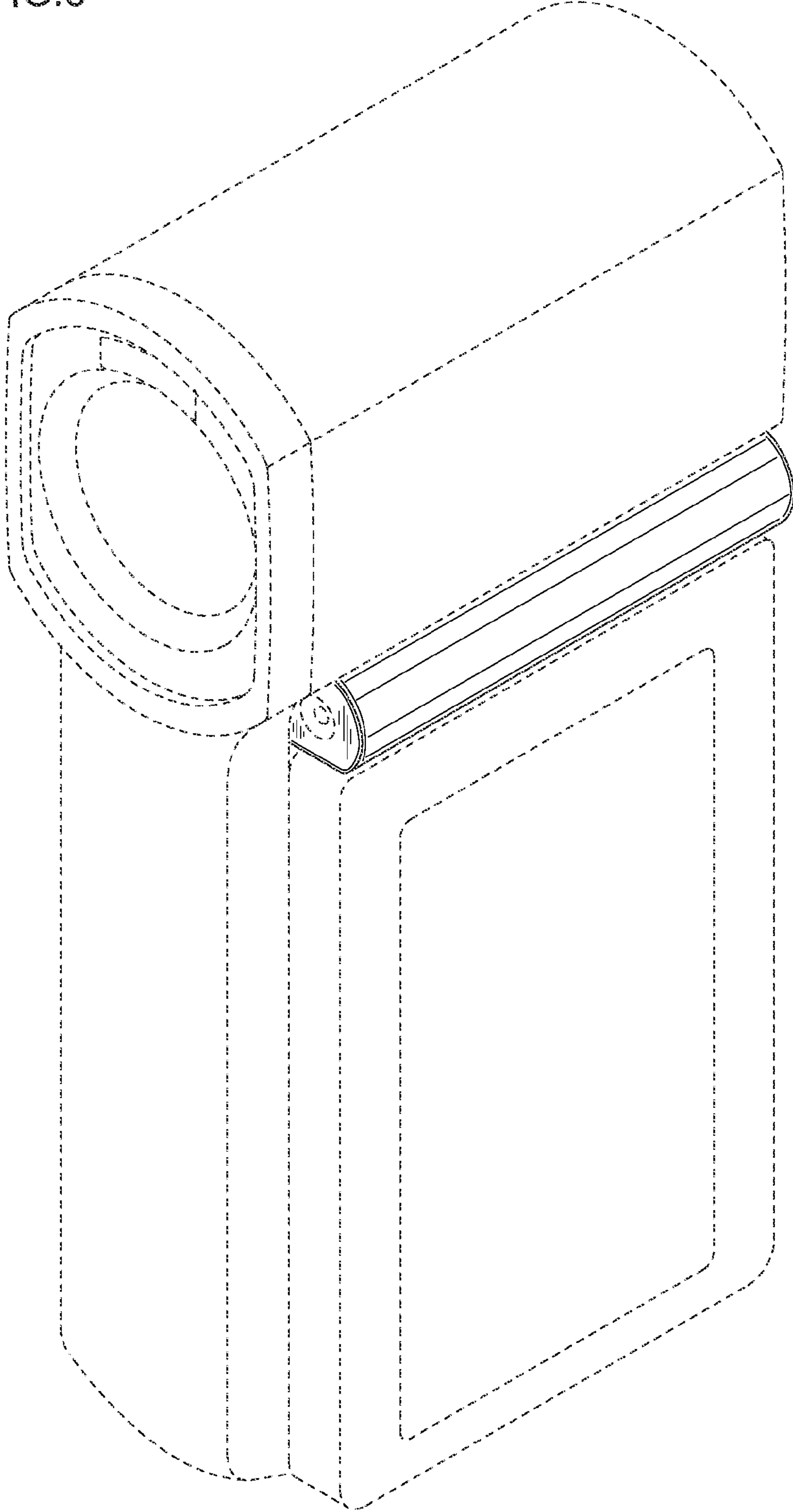


FIG.6

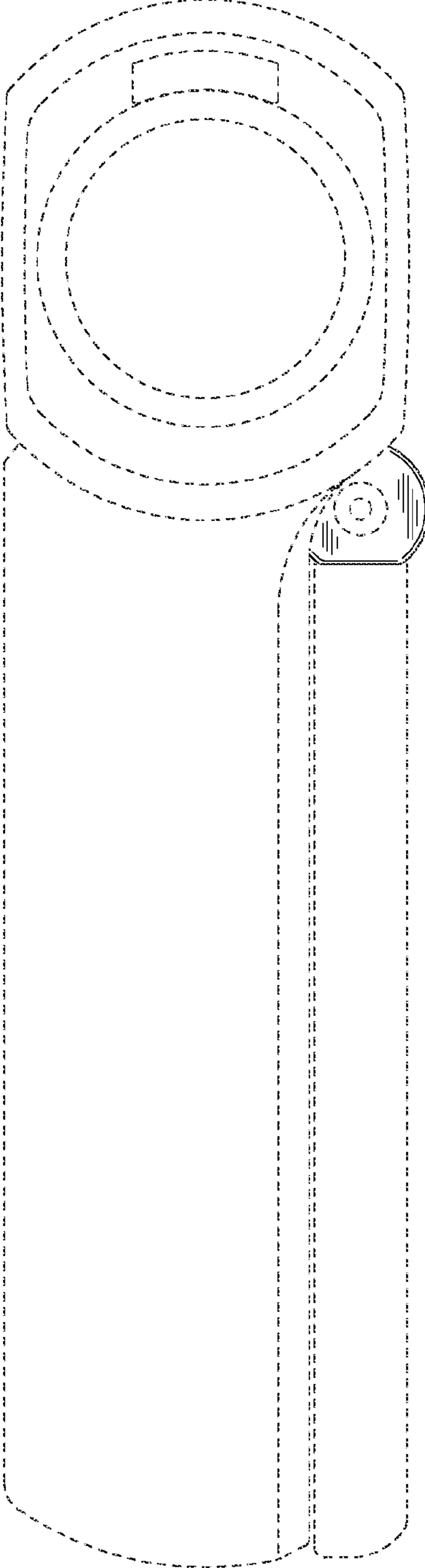




FIG.7

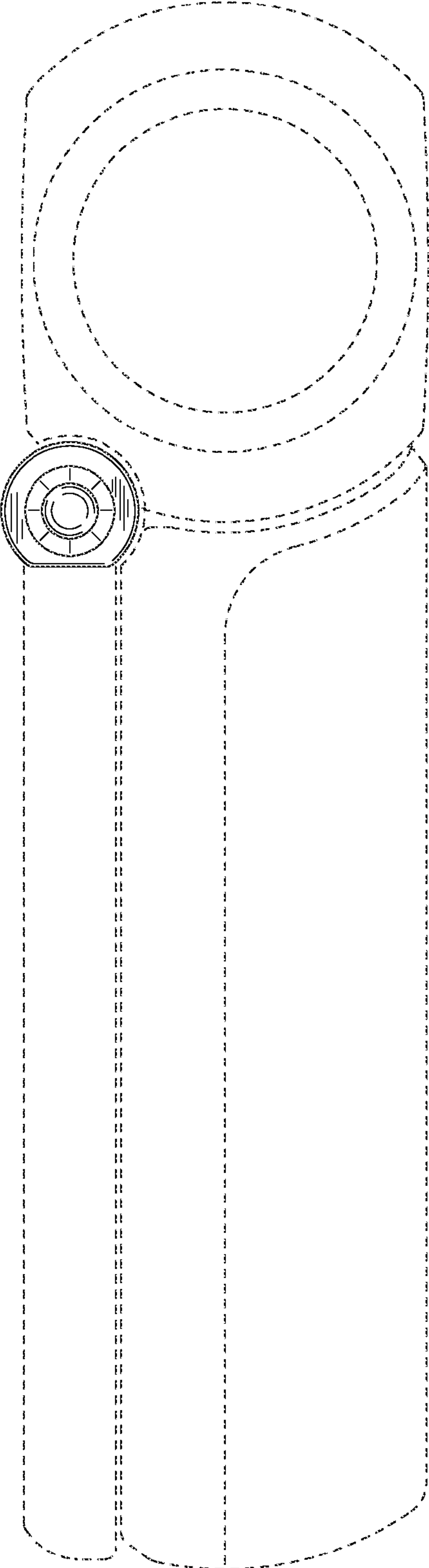


FIG.8

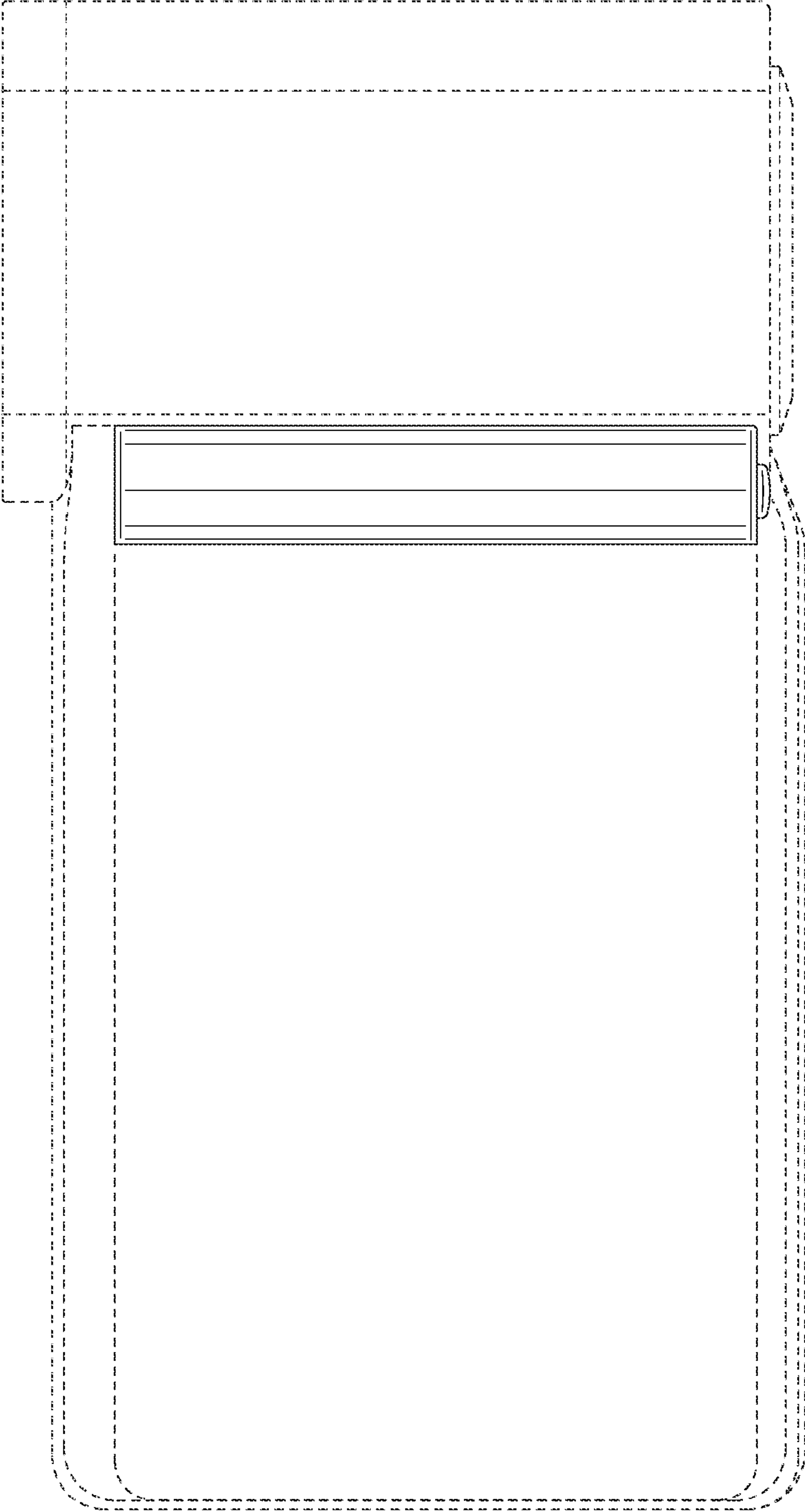


FIG.9

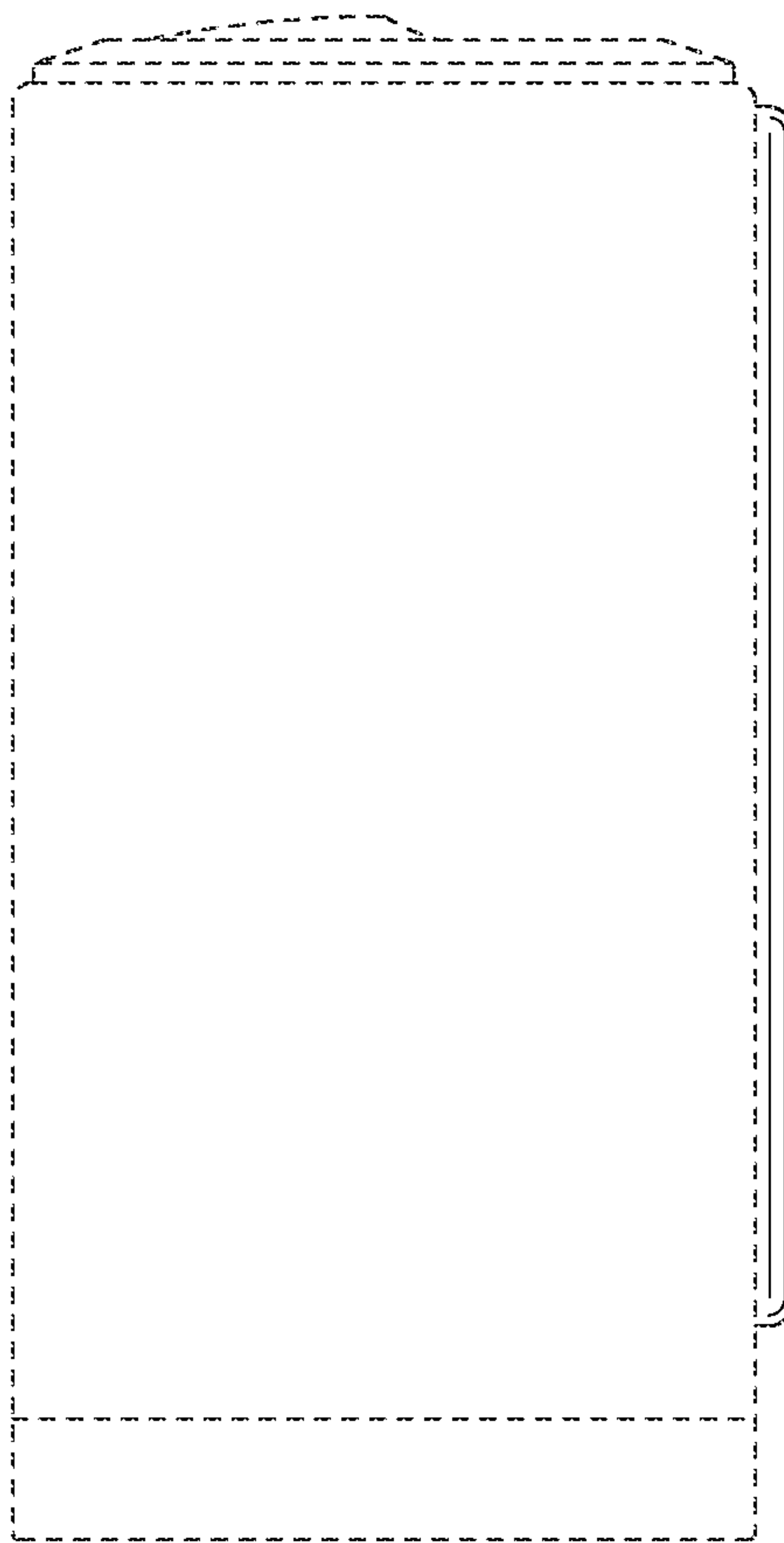


FIG.10

