



US00D682911S

(12) **United States Design Patent**
Ohashi

(10) **Patent No.:** **US D682,911 S**
(45) **Date of Patent:** **** May 21, 2013**

(54) **INTERCHANGEABLE LENS FOR CAMERA**

(75) Inventor: **Hiroaki Ohashi**, Tokyo (JP)

(73) Assignee: **Canon Kabushiki Kaisha**, Tokyo (JP)

(**) Term: **14 Years**

(21) Appl. No.: **29/417,794**

(22) Filed: **Apr. 9, 2012**

(30) **Foreign Application Priority Data**

Oct. 31, 2011 (JP) 2011-025066

(51) **LOC (9) Cl.** **16-05**

(52) **U.S. Cl.**
USPC **D16/219**

(58) **Field of Classification Search** D16/134,
D16/136, 200, 202, 209, 218, 219; 348/373,
348/374; 359/600, 826-828; 396/529-535,
396/540, 541

See application file for complete search history.

(56) **References Cited**

U.S. PATENT DOCUMENTS

D248,766	S	*	8/1978	Arai	D16/134
4,440,484	A	*	4/1984	Komoto et al.	396/532
D433,044	S	*	10/2000	Nagaoka et al.	D16/219
D449,322	S	*	10/2001	Ono et al.	D16/134
D548,260	S	*	8/2007	Nakamura	D16/219
D597,580	S	*	8/2009	Kitera	D16/219
D665,837	S	*	8/2012	Tainaka	D16/219

* cited by examiner

Primary Examiner — Adir Aronovich

(74) *Attorney, Agent, or Firm* — Fitzpatrick, Cella, Harper & Scinto

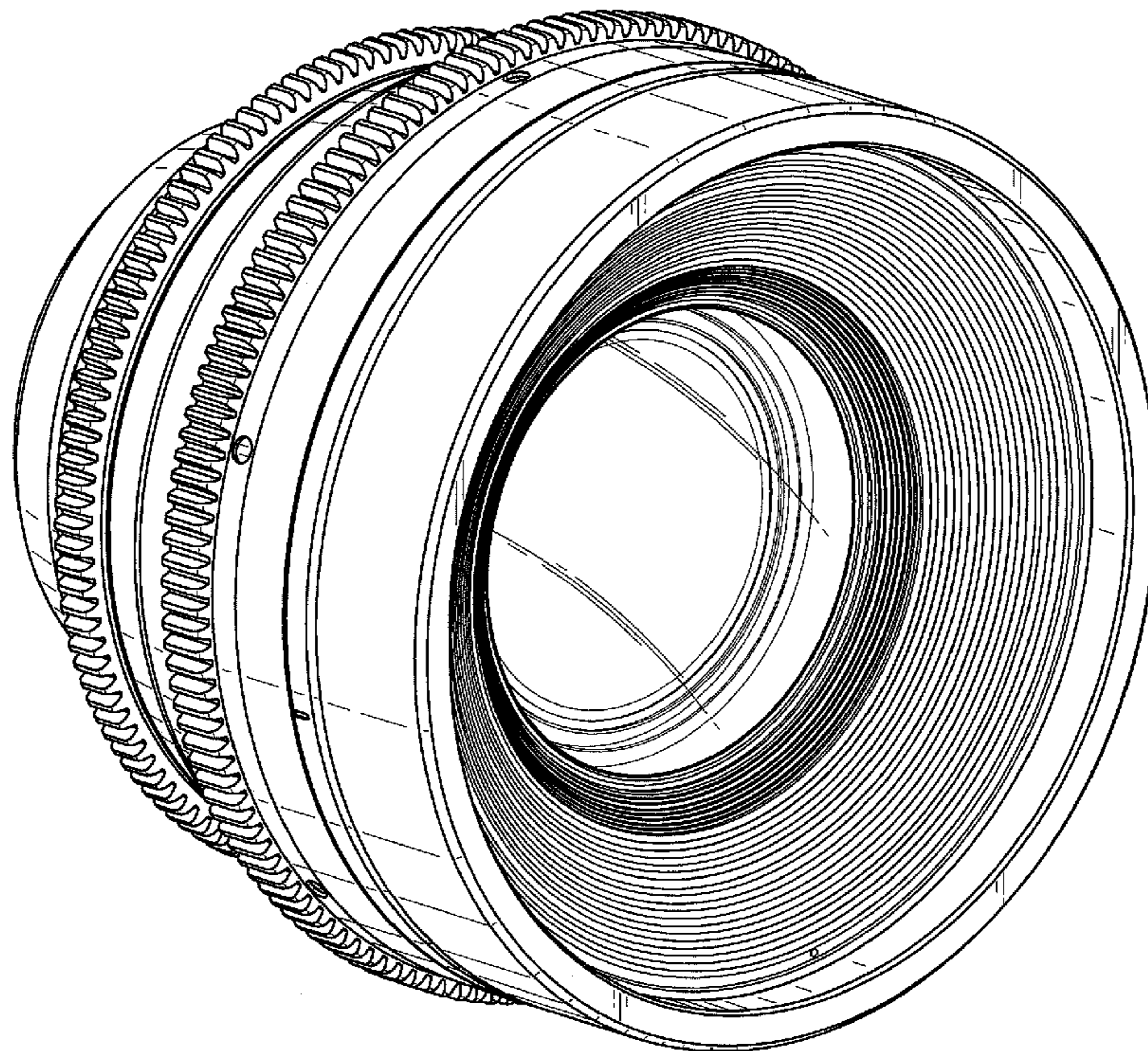
(57) **CLAIM**

The ornamental design for an interchangeable lens for camera, as shown and described.

DESCRIPTION

FIG. 1 is a front view of an interchangeable lens for camera showing my new design;
FIG. 2 is a rear view thereof;
FIG. 3 is a top plan view thereof;
FIG. 4 is a bottom plan view thereof;
FIG. 5 is a left side view thereof;
FIG. 6 is a right side view thereof; and,
FIG. 7 is a perspective view thereof.

1 Claim, 7 Drawing Sheets



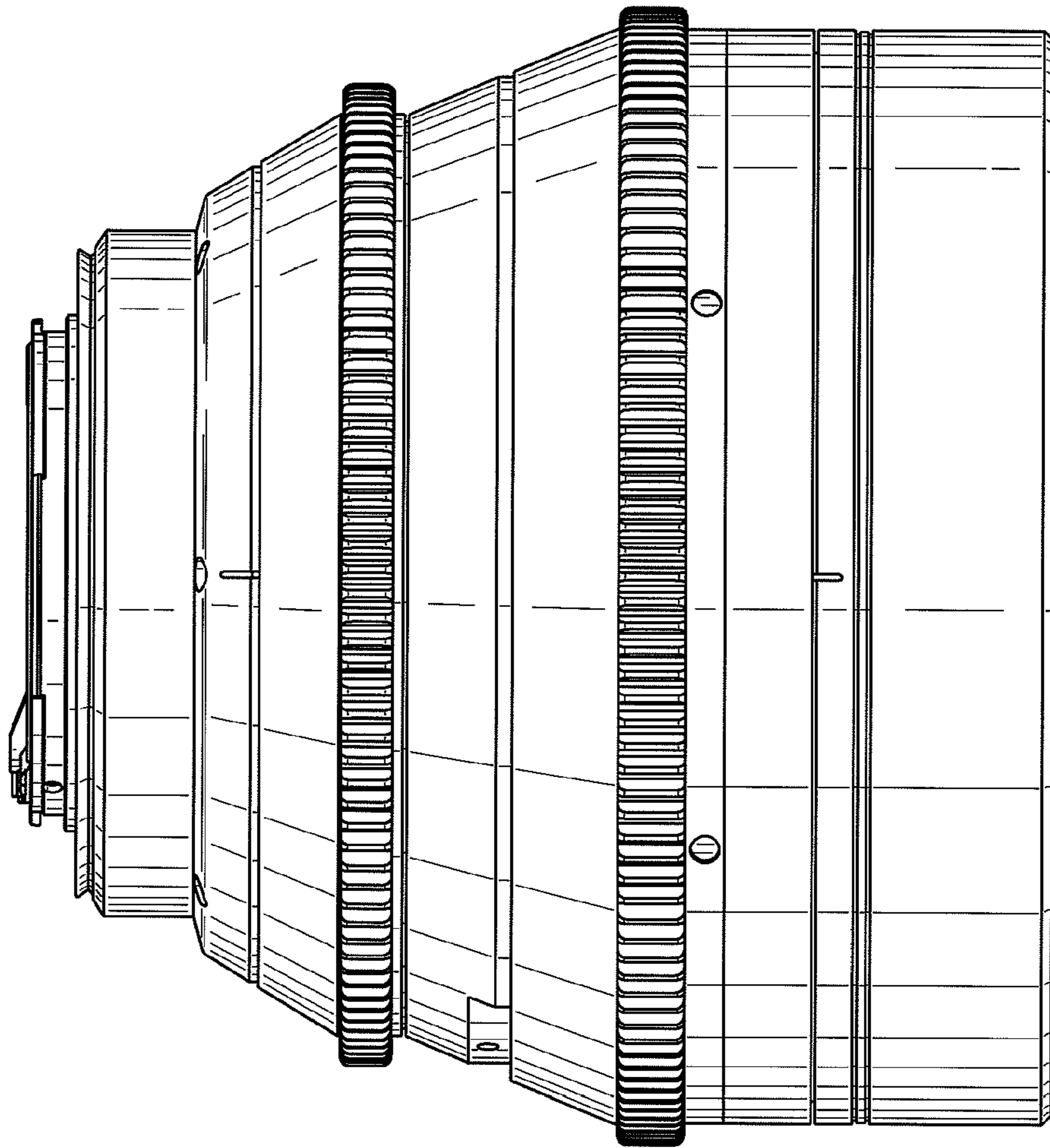


FIG. 1

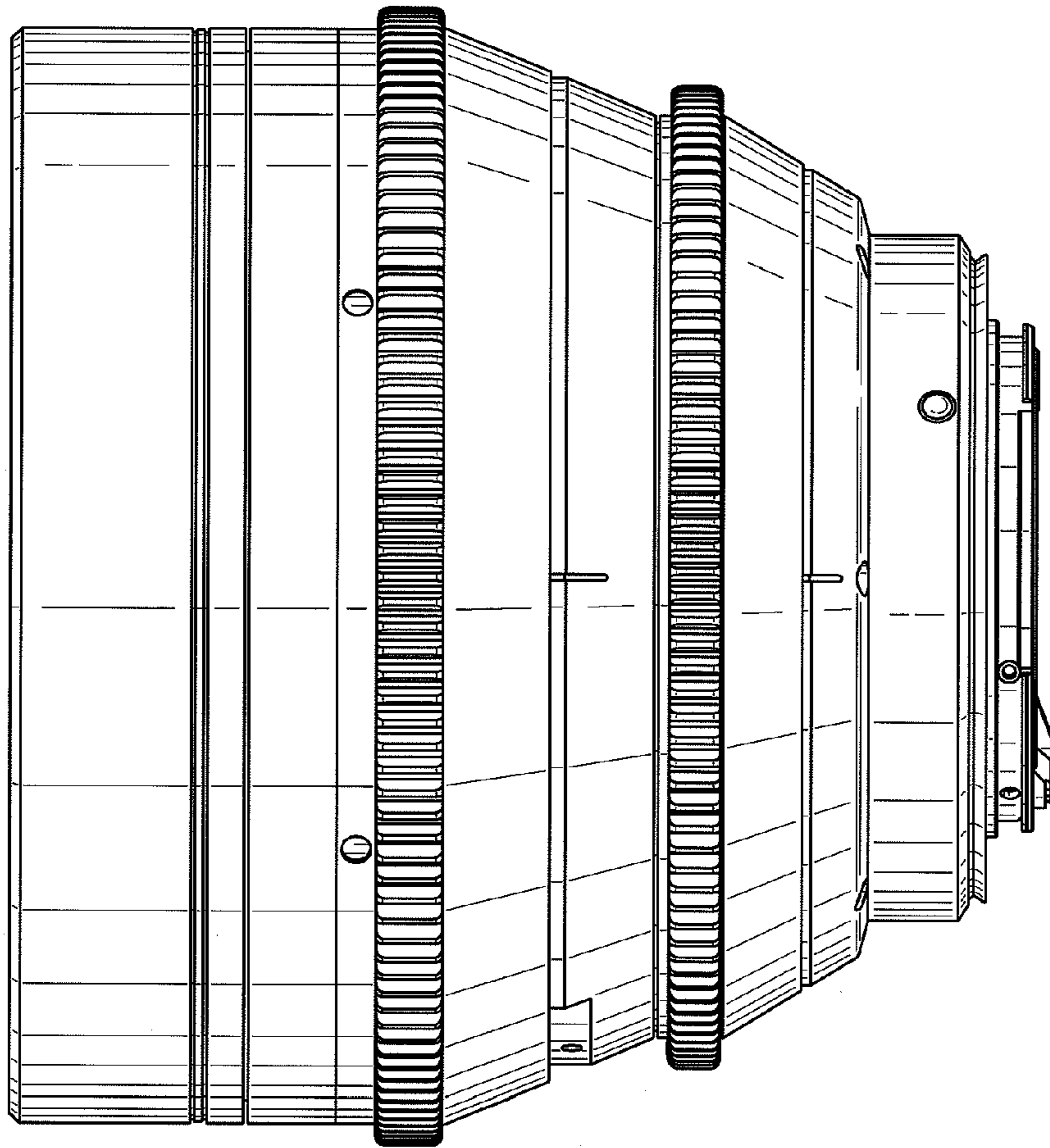


FIG. 2

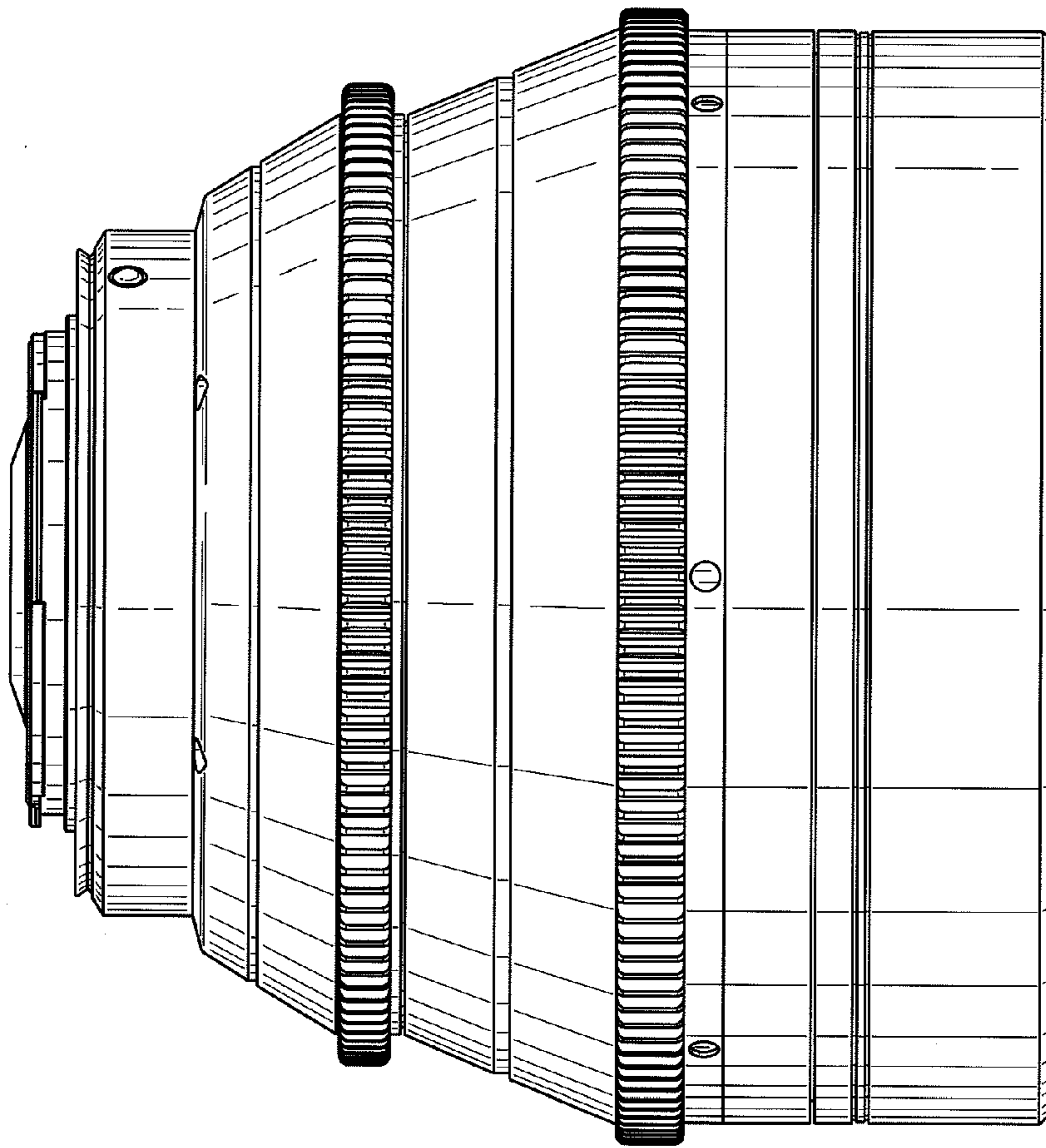


FIG. 3

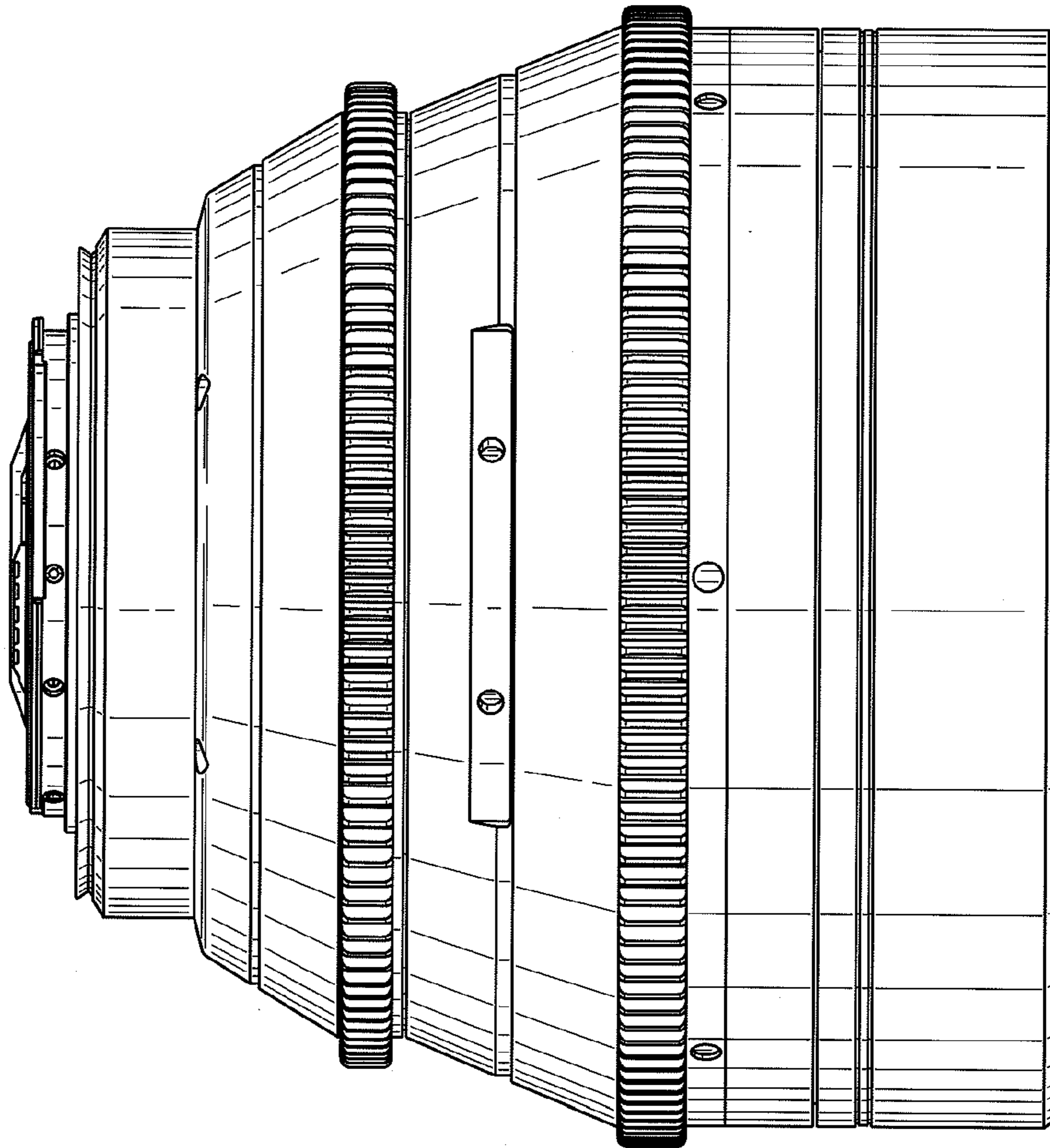


FIG. 4

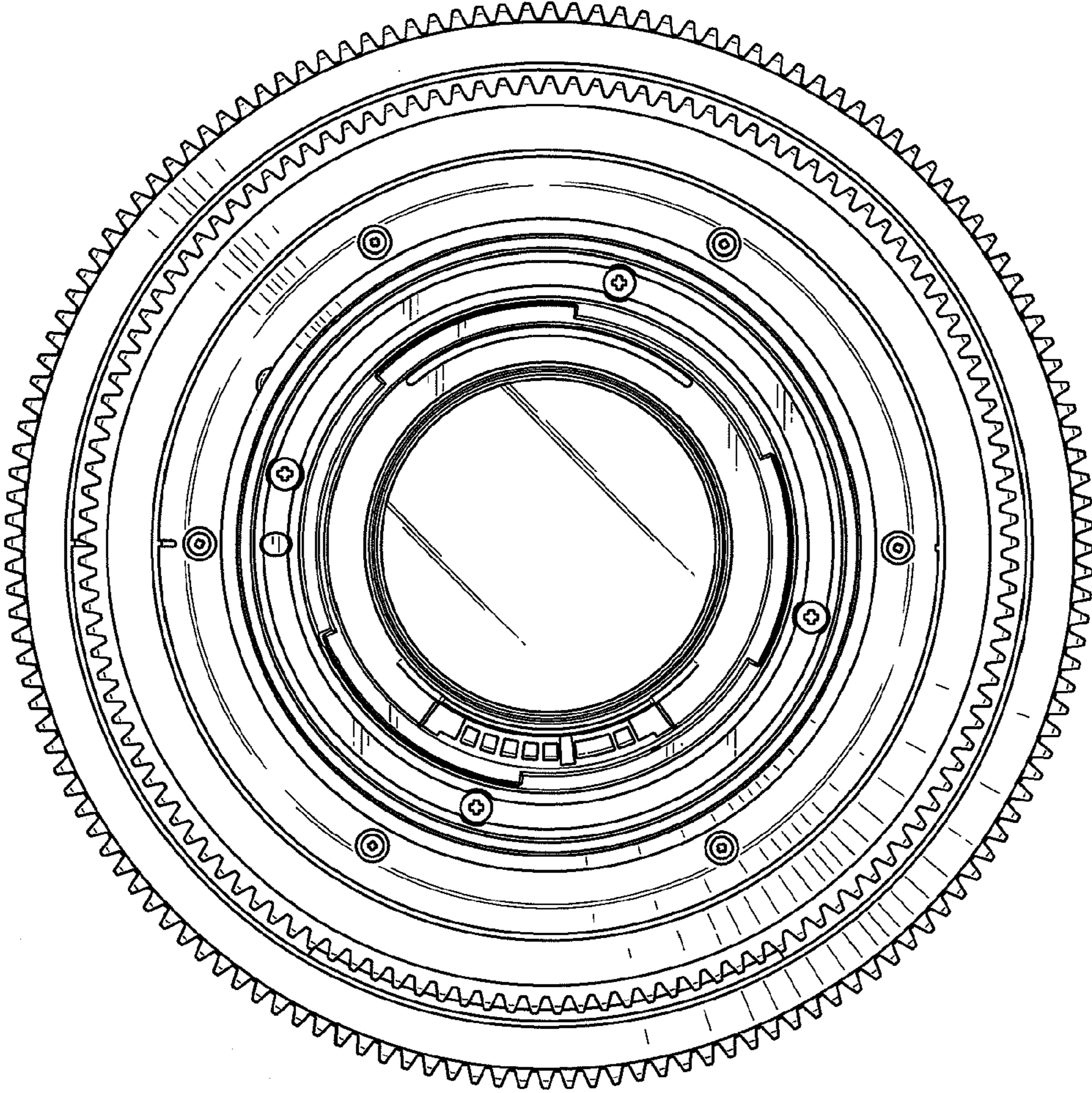


FIG. 5

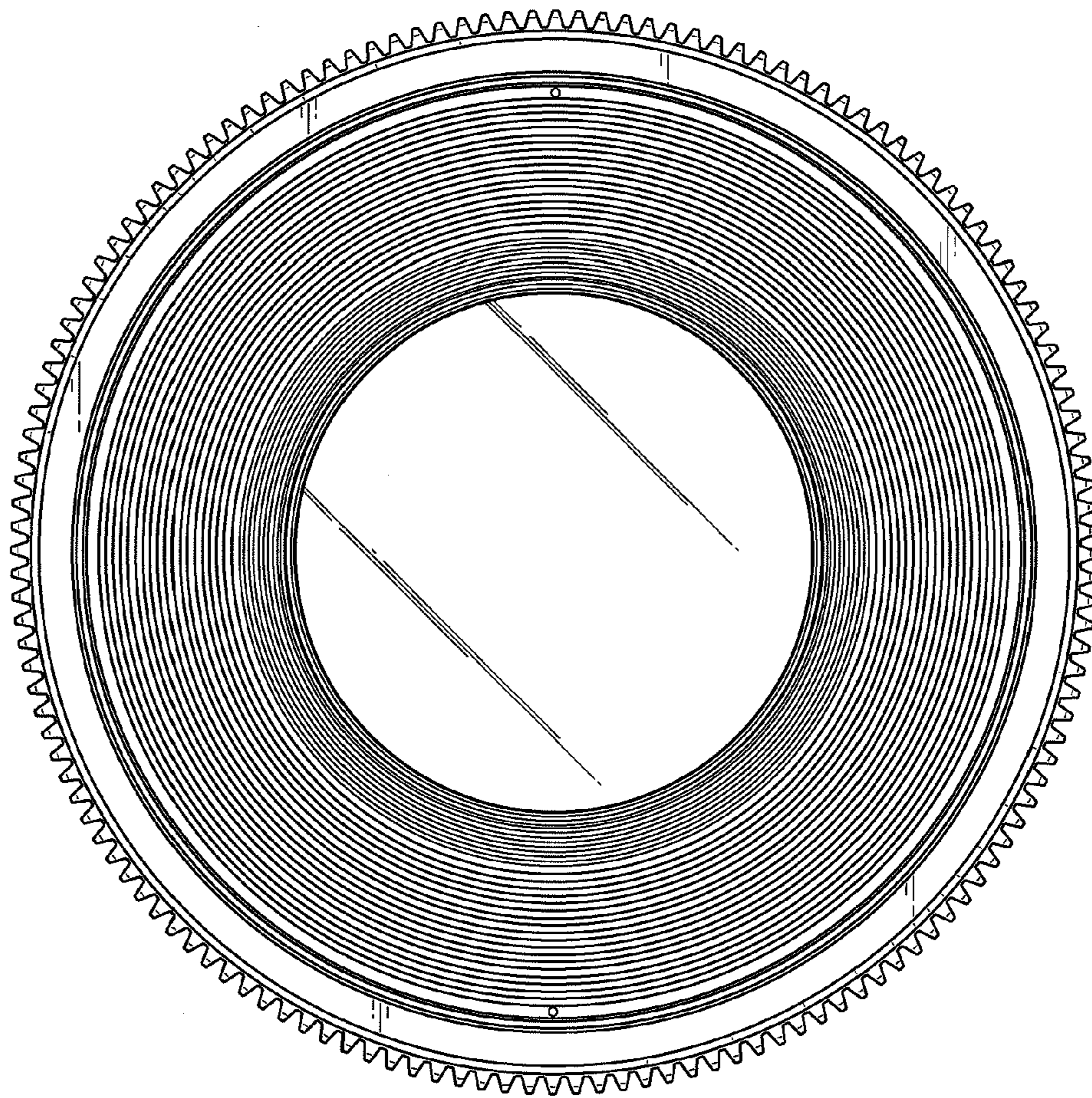


FIG. 6

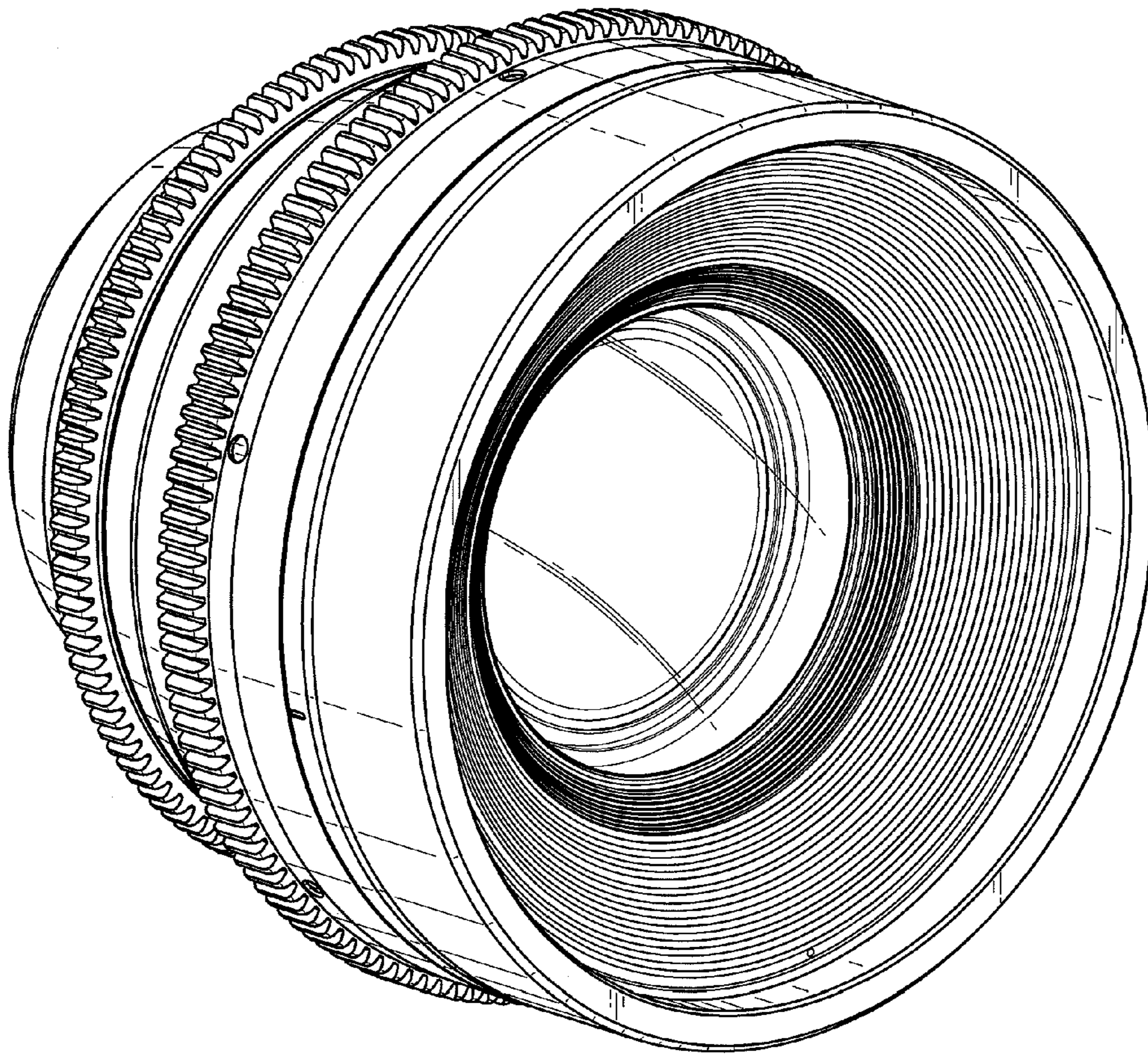


FIG. 7