



US00D682910S

(12) **United States Design Patent**
Hasuda

(10) **Patent No.:** **US D682,910 S**

(45) **Date of Patent:** **** May 21, 2013**

(54) **DIGITAL CAMERA**

(75) Inventor: **Masanori Hasuda**, Fujisawa (JP)

(73) Assignee: **Nikon Corporation**, Tokyo (JP)

(**) Term: **14 Years**

(21) Appl. No.: **29/415,377**

(22) Filed: **Mar. 9, 2012**

(30) **Foreign Application Priority Data**

Sep. 20, 2011 (JP) 2011-021404

(51) **LOC (9) Cl.** **16-05**

(52) **U.S. Cl.**
USPC **D16/219**

(58) **Field of Classification Search** D16/134,
D16/136, 200, 202, 204, 218, 219; 348/373,
348/374; 359/819, 826-828; 396/529-532,
396/535, 540, 541

See application file for complete search history.

(56) **References Cited**

U.S. PATENT DOCUMENTS

D252,833	S	*	9/1979	Bowser	D26/85
D539,824	S	*	4/2007	Tokiwa et al.	D16/219
D546,361	S	*	7/2007	Tokiwa et al.	D16/134
D555,693	S	*	11/2007	Tokiwa et al.	D16/219
7,567,290	B2	*	7/2009	Tokiwa et al.	396/532
7,620,315	B2	*	11/2009	Watanabe et al.	396/529
D648,363	S	*	11/2011	Takagi et al.	D16/219
D669,930	S	*	10/2012	Koyama et al.	D16/219

* cited by examiner

Primary Examiner — Adir Aronovich

(74) *Attorney, Agent, or Firm* — Wolf, Greenfield & Sacks, P.C.

(57) **CLAIM**

The ornamental design for a digital camera, as shown and described.

DESCRIPTION

FIG. 1 is a front perspective view of a digital camera showing my new design;

FIG. 2 is a front elevational view thereof;

FIG. 3 is a top plan view thereof;

FIG. 4 is a bottom plan view thereof;

FIG. 5 is a right side elevational view thereof;

FIG. 6 is a left side elevational view thereof.

FIG. 7 is an enlarged view of the portion indicated by lines 7-7 in FIG. 2;

FIG. 8 is an enlarged view of the portion indicated by lines 8-8 in FIG. 2;

FIG. 9 is a cross-sectional view taken along line 9-9 in FIG. 7 with the internal structure omitted;

FIG. 10 is a cross-sectional view taken along line 10-10 in FIG. 7 with the internal structure omitted; and,

FIG. 11 is a cross-sectional view taken along line 11-11 in FIG. 8 with the internal structure omitted.

The features shown in broken lines in the drawings depict environmental subject matter only and form no part of the claimed design.

1 Claim, 9 Drawing Sheets

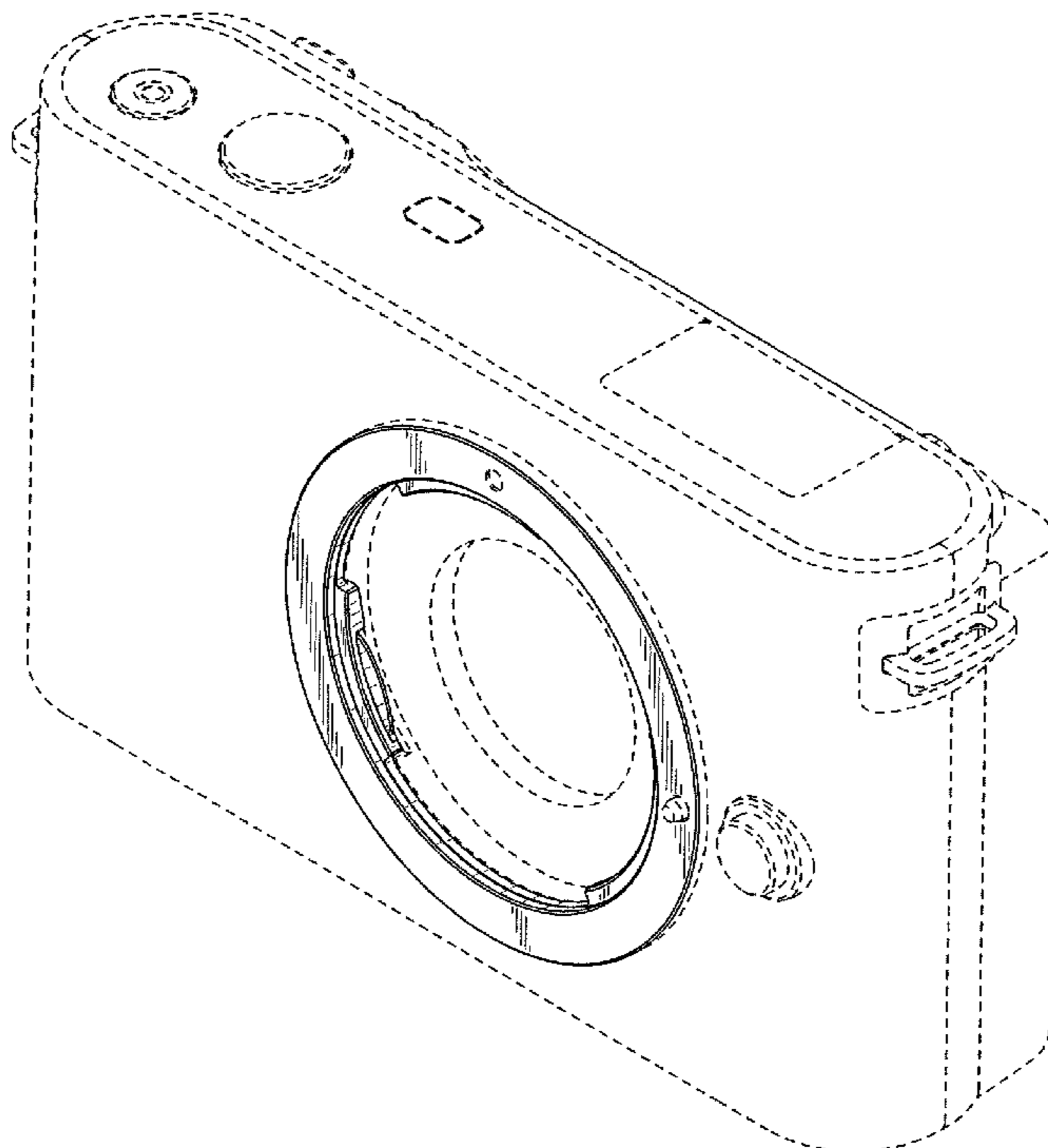


FIG. 1

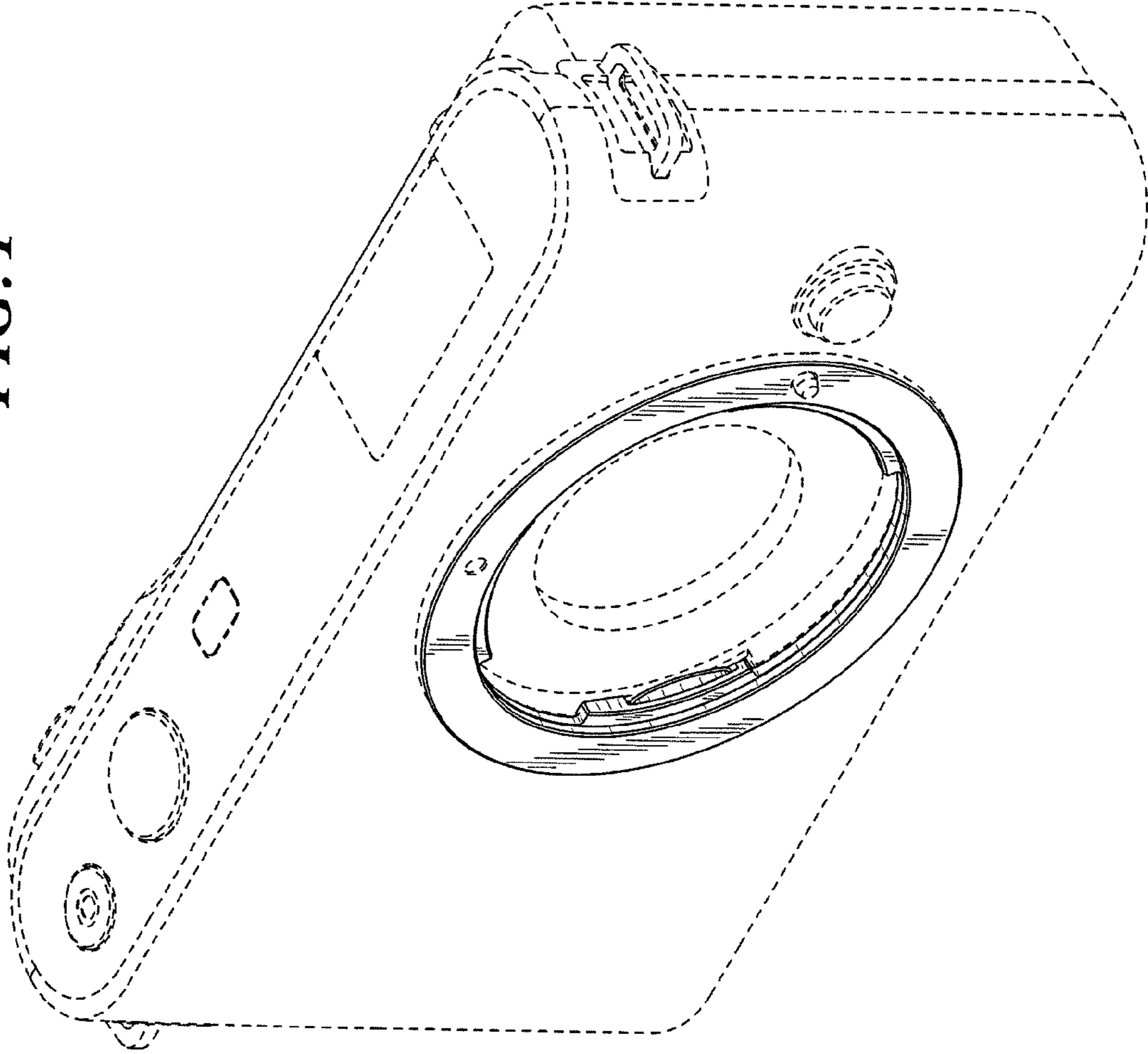


FIG. 2

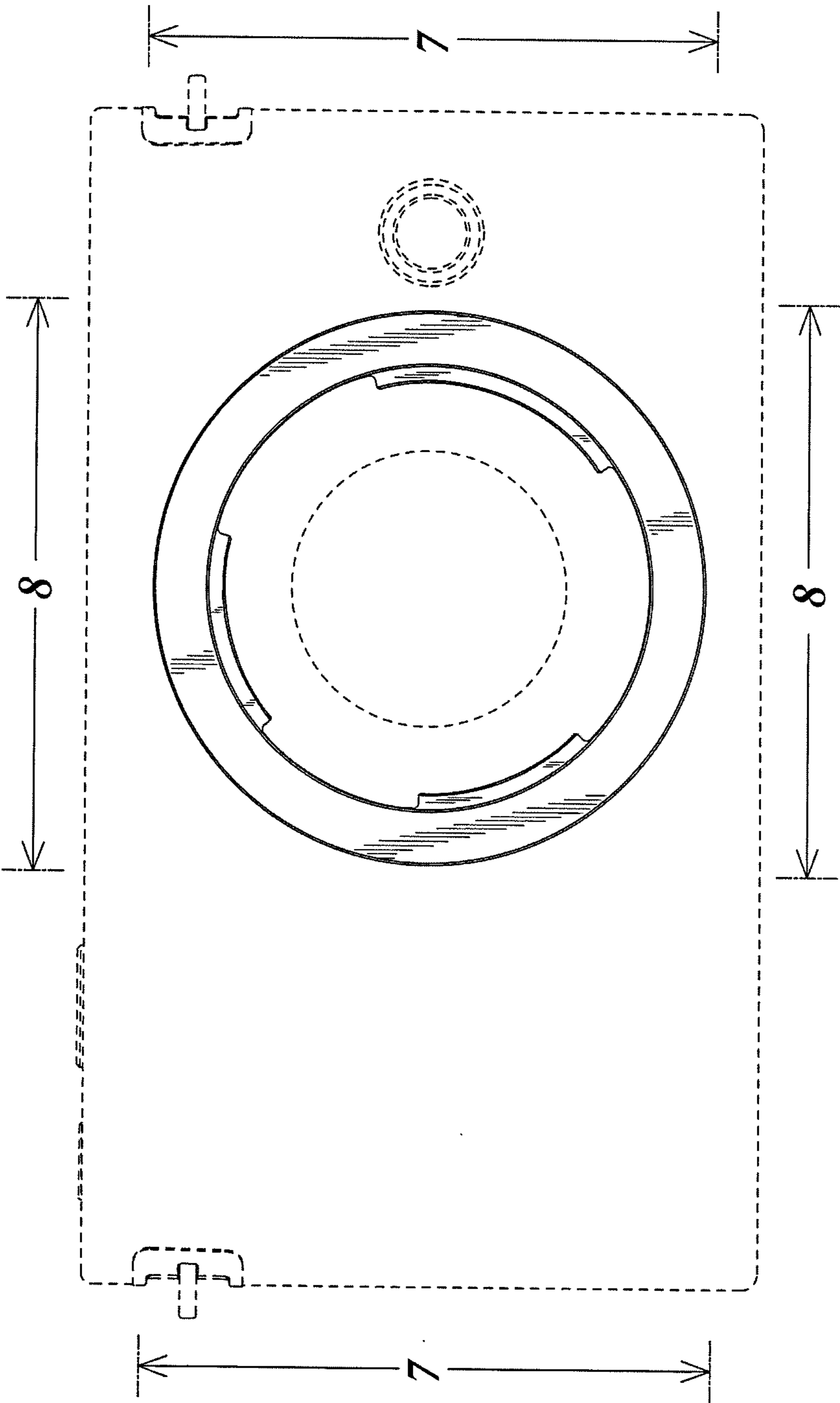


FIG. 3

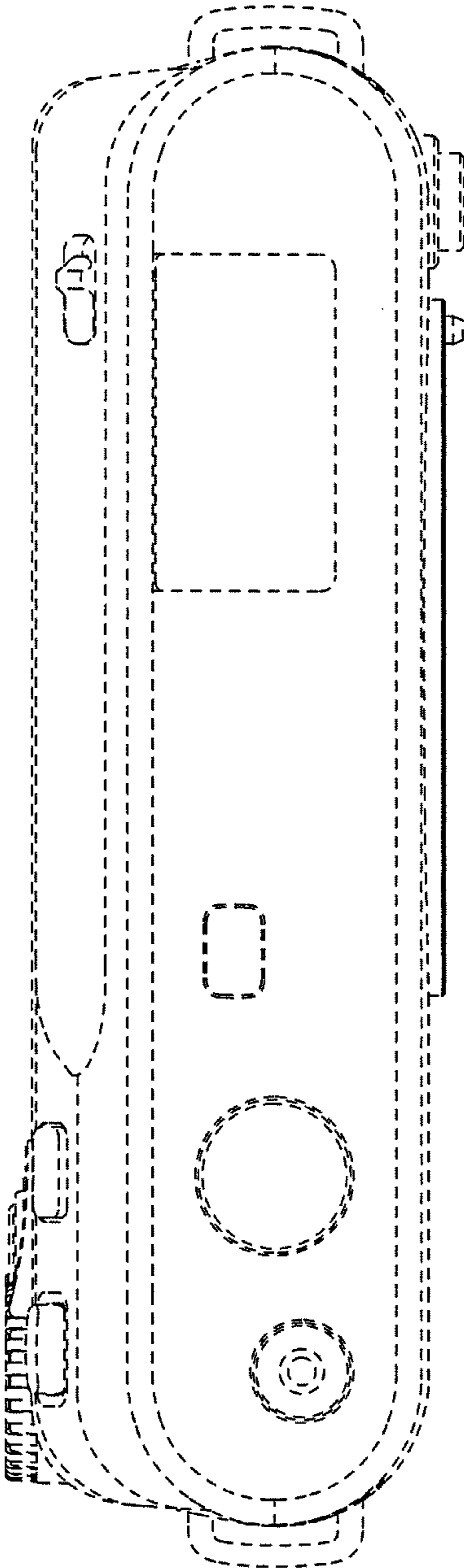


FIG. 4

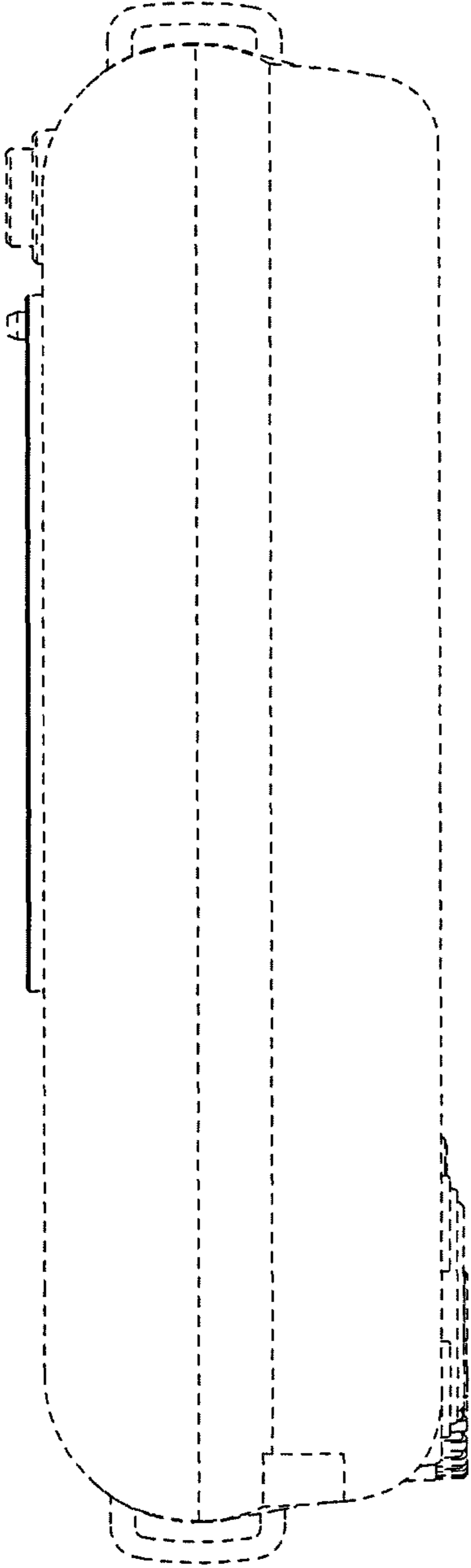


FIG. 6

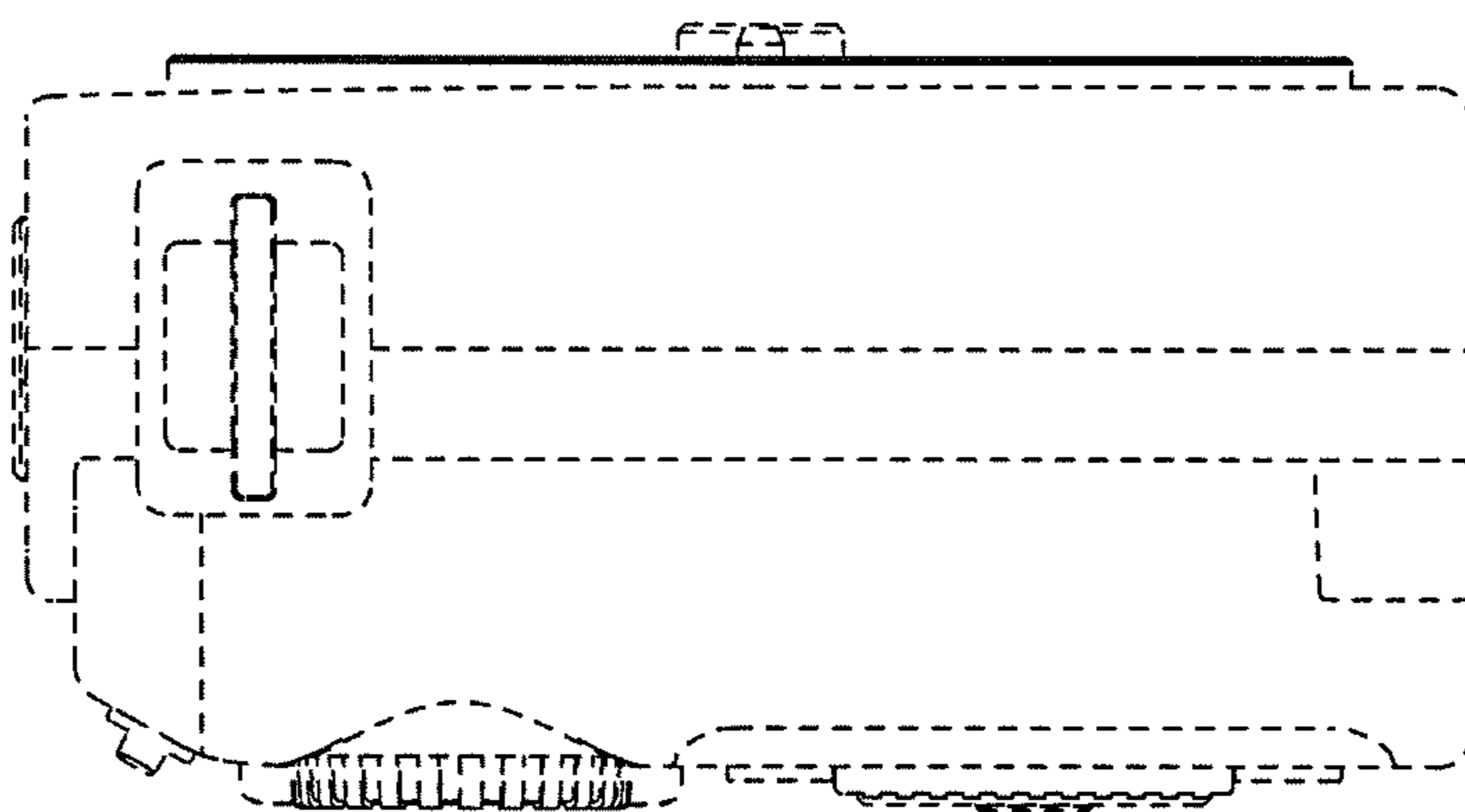


FIG. 5

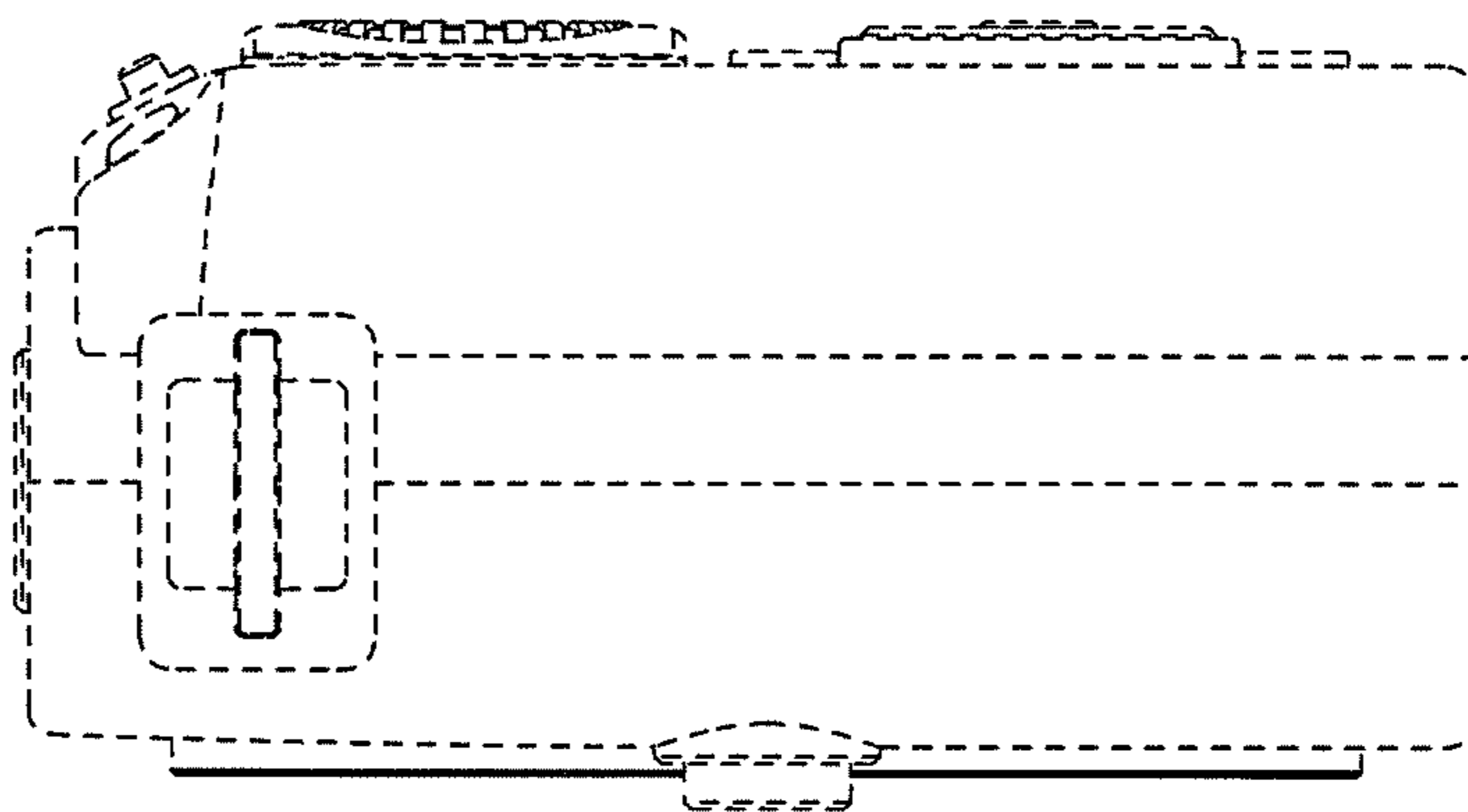


FIG. 7

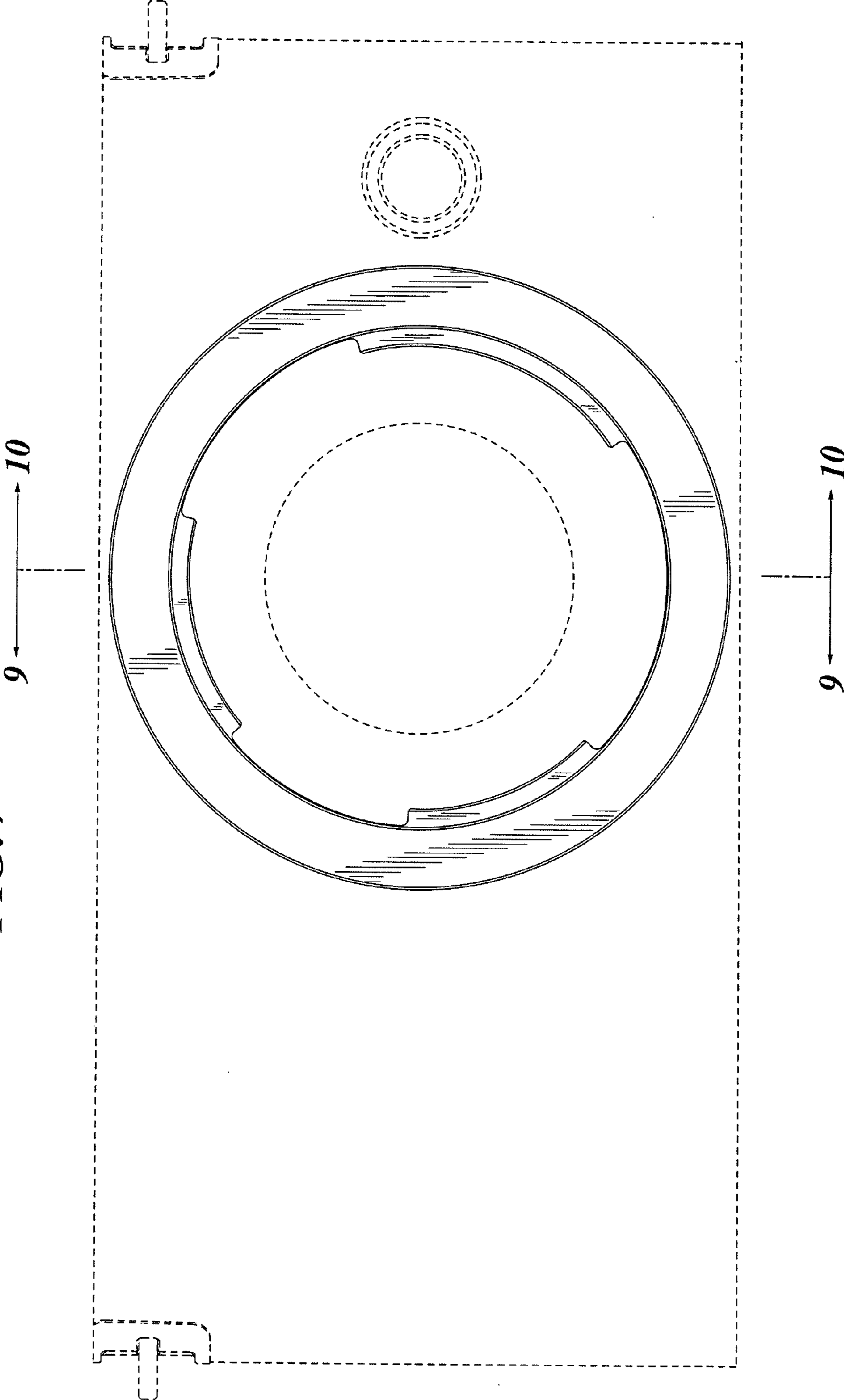


FIG. 8

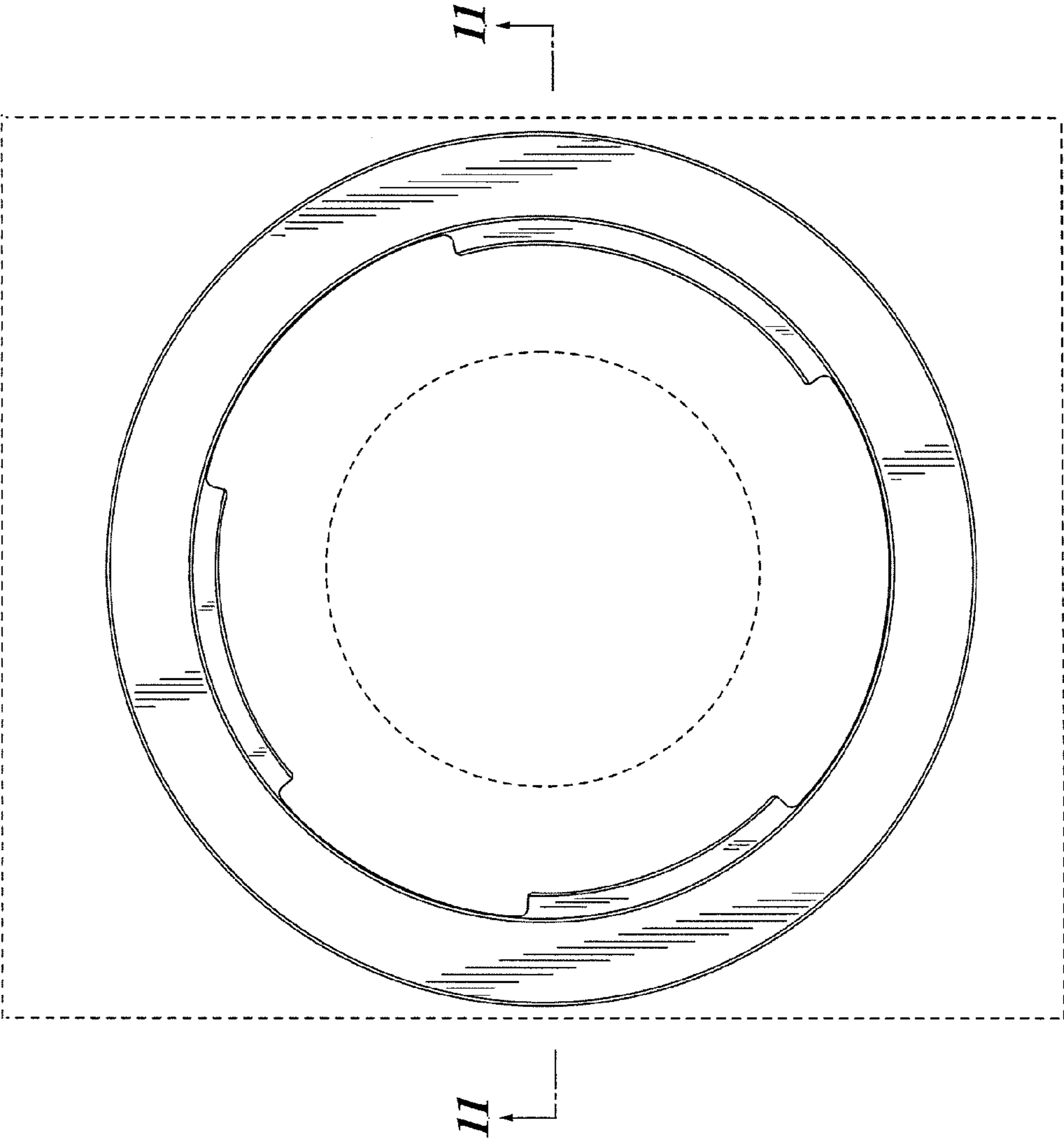


FIG. 10

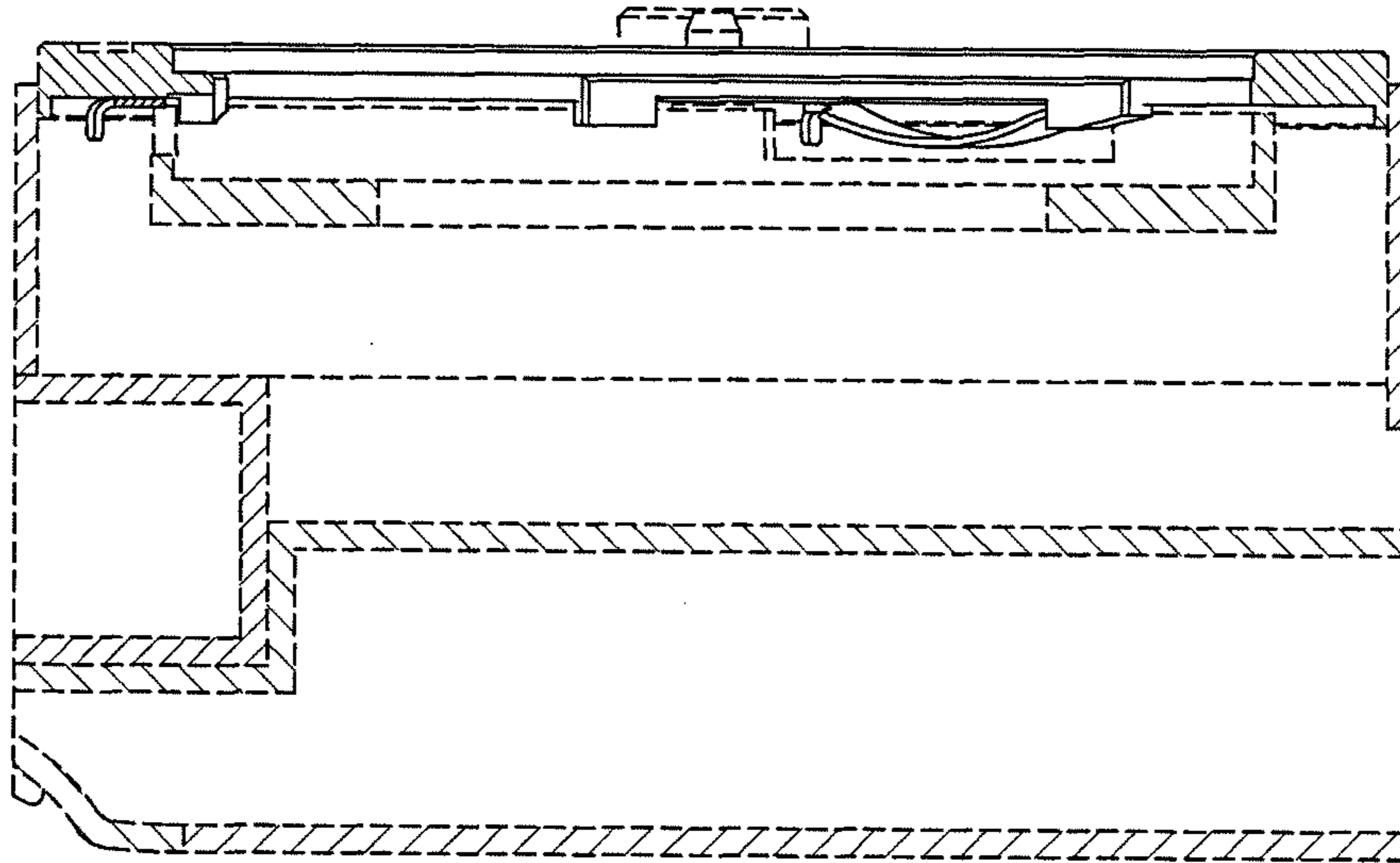


FIG. 9

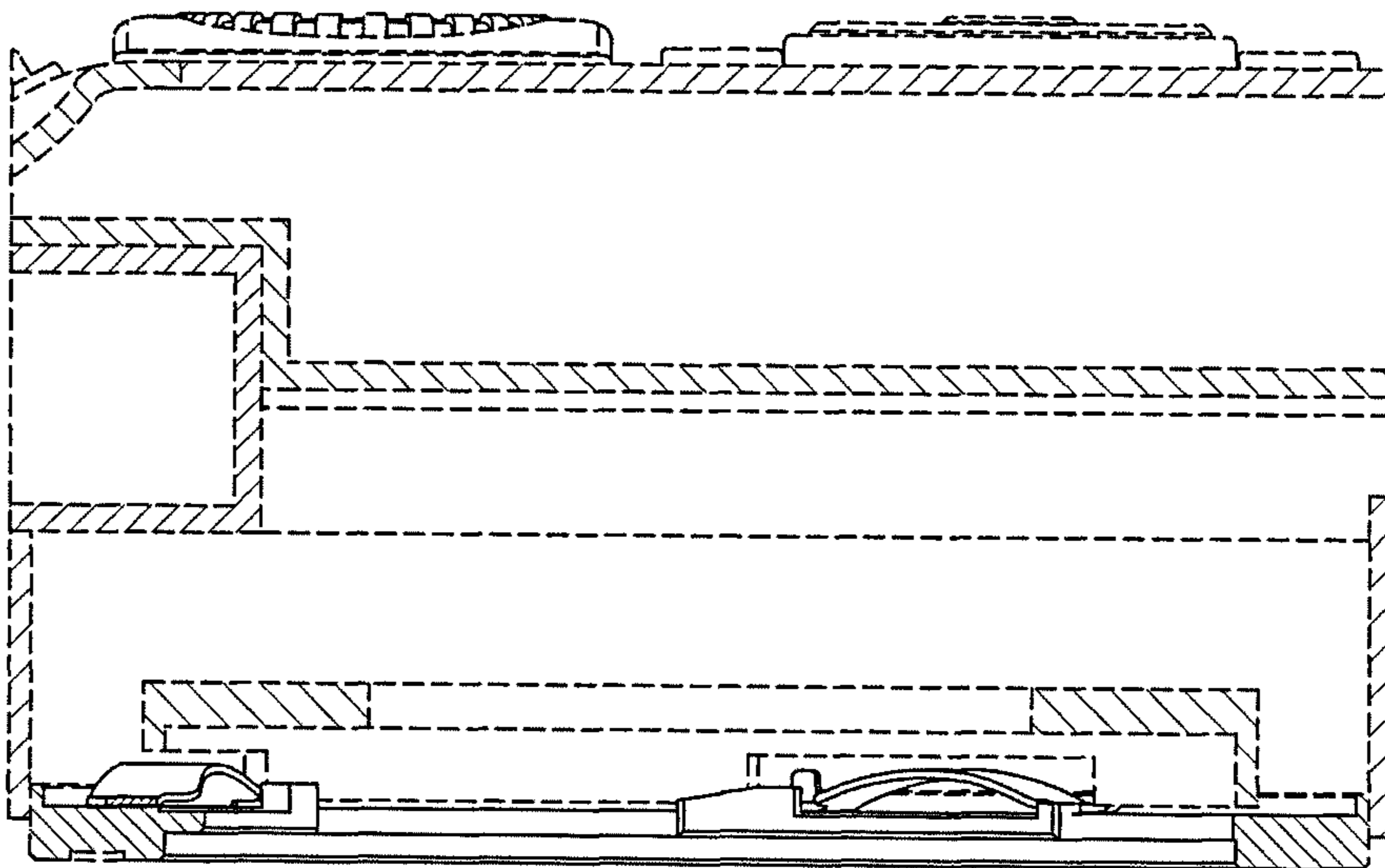


FIG. 11

