



US00D682909S

(12) **United States Design Patent**
Kim

(10) **Patent No.:** **US D682,909 S**

(45) **Date of Patent:** **** May 21, 2013**

(54) **STRAPS CONNECTOR**

(75) **Inventor:** **Joo-Hyung Kim, Seoul (KR)**

(73) **Assignee:** **Samsung Electronics Co., Ltd.,
Gyeonggi-do (KR)**

(**) **Term:** **14 Years**

(21) **Appl. No.:** **29/412,120**

(22) **Filed:** **Jan. 31, 2012**

(51) **LOC (9) Cl.** **16-05**

(52) **U.S. Cl.**
USPC **D16/219; D8/356; 24/115 R**

(58) **Field of Classification Search**
USPC **D16/219, 250; D2/912, 935, 943,
D2/946, 978; D8/356, 383; D23/213; 24/115 R**
See application file for complete search history.

(56) **References Cited**

U.S. PATENT DOCUMENTS

1,333,375	A *	3/1920	Bauer et al.	24/136 A
3,330,011	A *	7/1967	Michael, Jr.	24/715.4
D231,929	S *	6/1974	Ranson	D23/213
D276,437	S *	11/1984	Wilson	D15/140
D288,954	S *	3/1987	McDermott et al.	D23/213
D313,457	S *	1/1991	Hengesbach	D23/213
D333,937	S *	3/1993	Prosser	D6/581
5,224,245	A *	7/1993	Matoba	24/115 G
D360,820	S *	8/1995	Haase	D8/356
D368,852	S *	4/1996	Ikeda	D8/383
5,649,340	A *	7/1997	Ida	24/115 G
D439,507	S *	3/2001	Ikeda	D8/383
D504,936	S *	5/2005	Yeager	D23/213
D513,020	S *	12/2005	Rubalcava et al.	D15/123
D537,709	S *	3/2007	Thorner	D8/396
D585,270	S *	1/2009	Yoshie	D8/383
D597,824	S *	8/2009	Wang	D8/356
D601,094	S *	9/2009	Smith	D13/149

D620,604	S *	7/2010	Alford	D24/224
D630,502	S *	1/2011	Ishii et al.	D8/383
D639,386	S *	6/2011	Cummings et al.	D23/213
8,225,463	B2 *	7/2012	Bourke et al.	24/132 AA
D664,832	S *	8/2012	Van Der Vorst	D8/356
D667,749	S *	9/2012	Case et al.	D11/3
2003/0047702	A1 *	3/2003	Gunnarsson et al.	251/297
2006/0027054	A1 *	2/2006	Wang	81/180.1

* cited by examiner

Primary Examiner — Philip S Hyder

Assistant Examiner — John T Applewhite

(74) *Attorney, Agent, or Firm* — Harness, Dickey & Pierce

(57) **CLAIM**

I claim the ornamental design for a straps connector, as shown.

DESCRIPTION

FIG. 1 is a front/right-side/top perspective view of a straps connector showing our new design;
 FIG. 2 is a front-side elevational view thereof;
 FIG. 3 is a rear-side elevational view thereof;
 FIG. 4 is a left-side elevational view thereof;
 FIG. 5 is a right-side elevational view thereof;
 FIG. 6 is a top-side elevational view thereof;
 FIG. 7 is a bottom-side elevational view thereof; and,
 FIG. 8 is a perspective view of an electronic device illustrating the features of the straps connector of FIGS. 1-7. In FIG. 8, the inventive straps connector of FIGS. 1-7 is in solid lines, and the electronic device is in broken lines to show an example environment of the inventive straps connector of FIGS. 1-7, with the broken lines not forming a part of the claimed design.
 The broken lines are provided to illustrate environmental structure that forms no part of the claimed design.

1 Claim, 5 Drawing Sheets

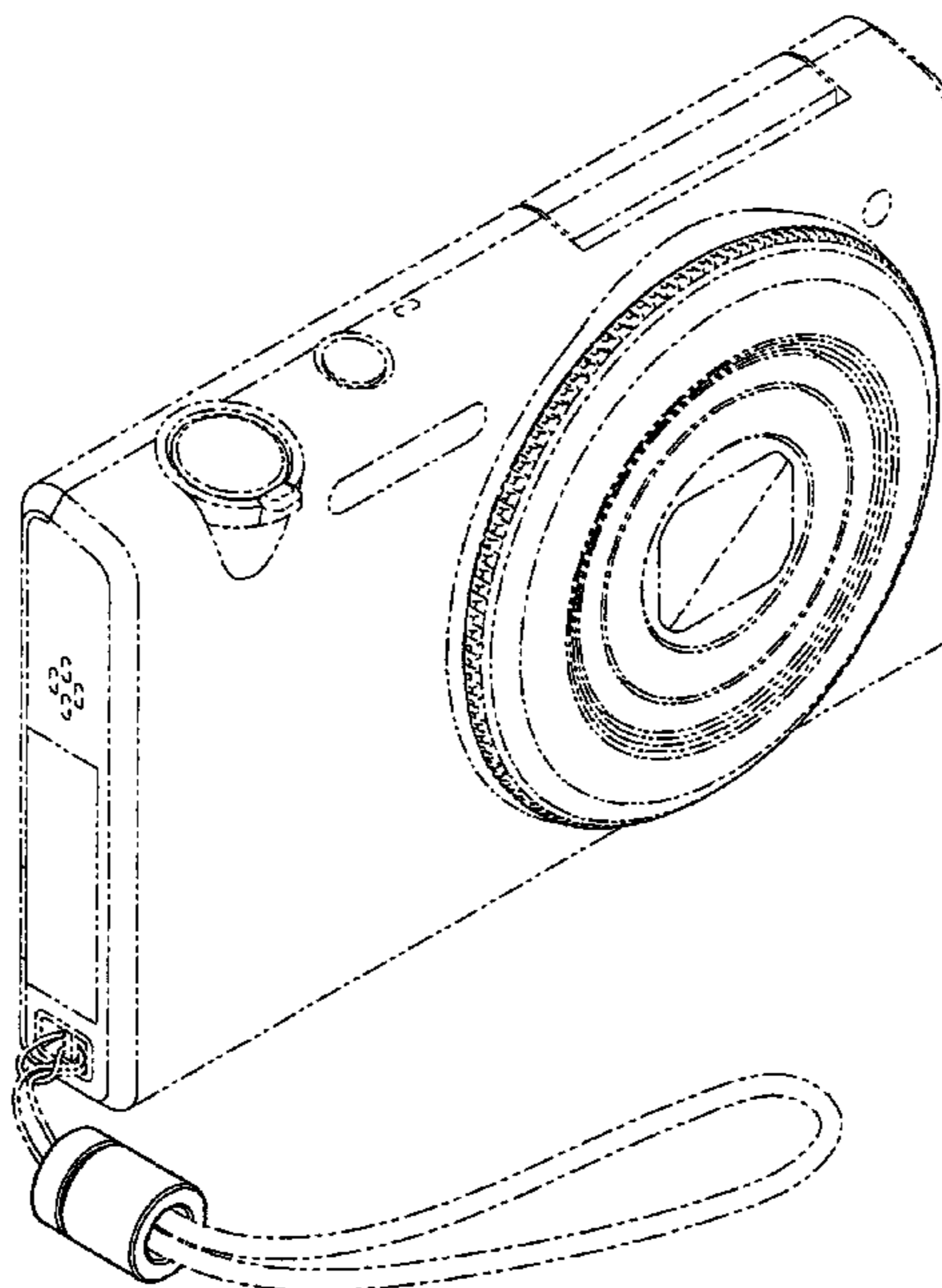


FIG. 1

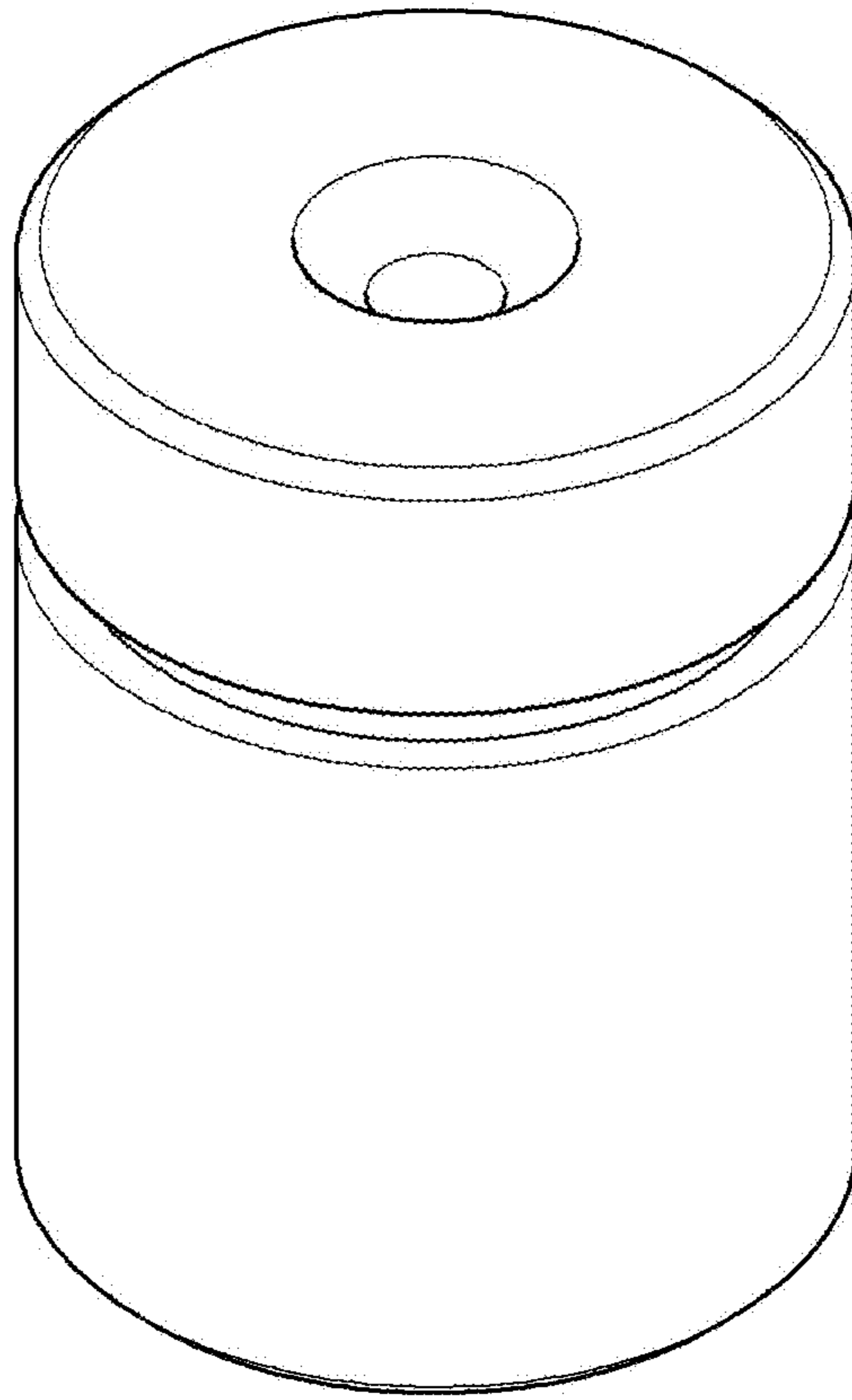


FIG. 2

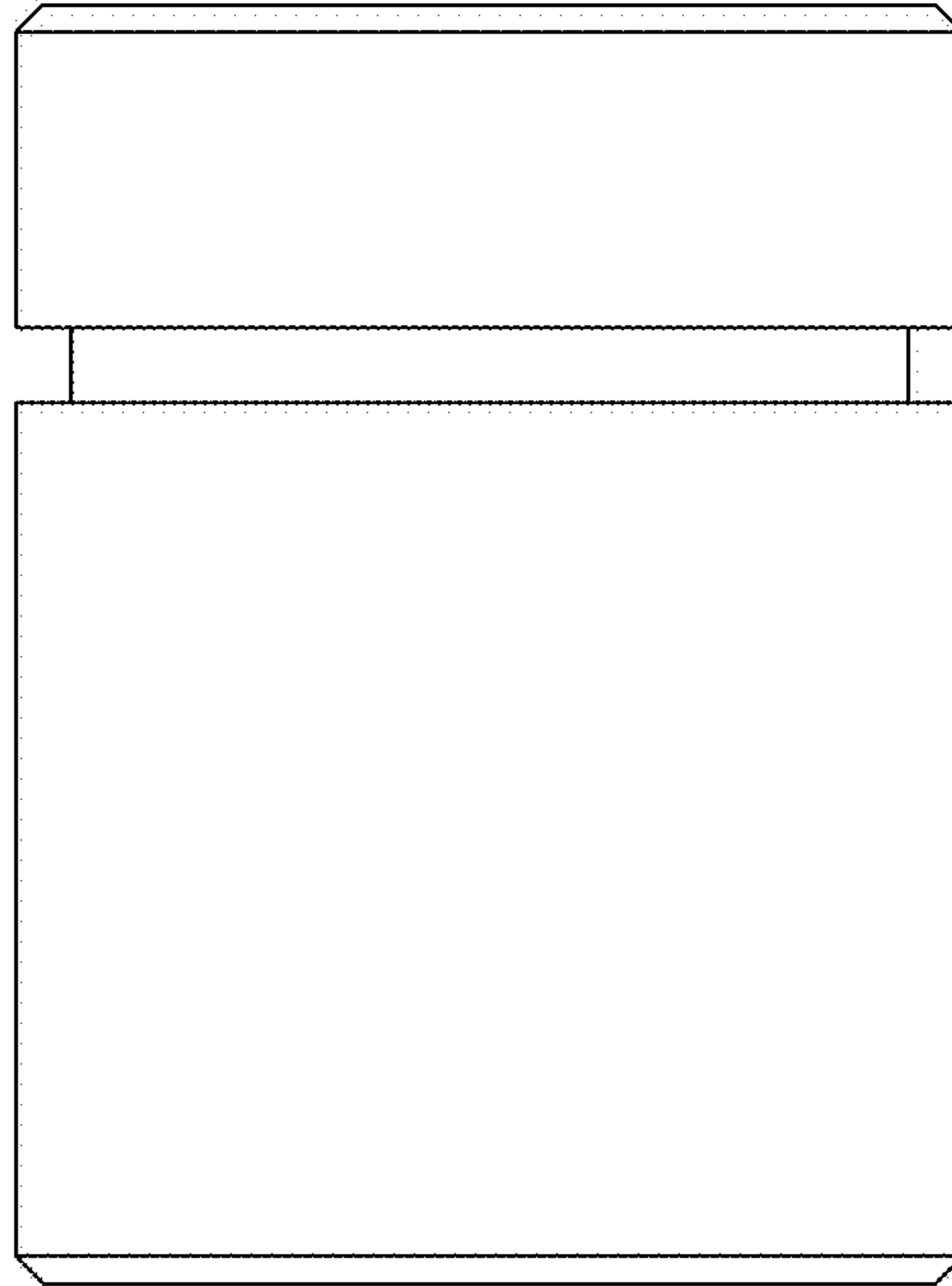


FIG. 3

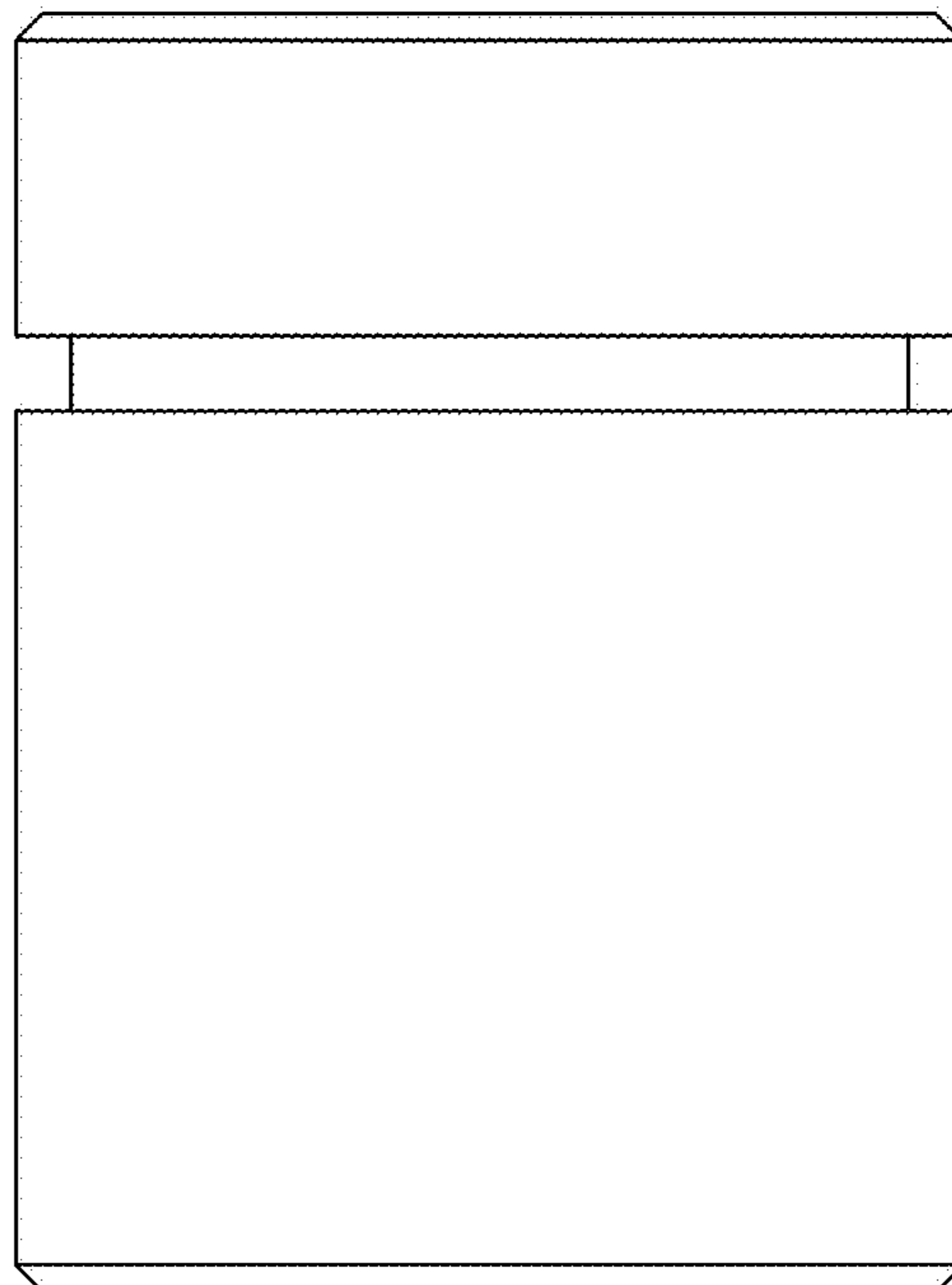


FIG.4

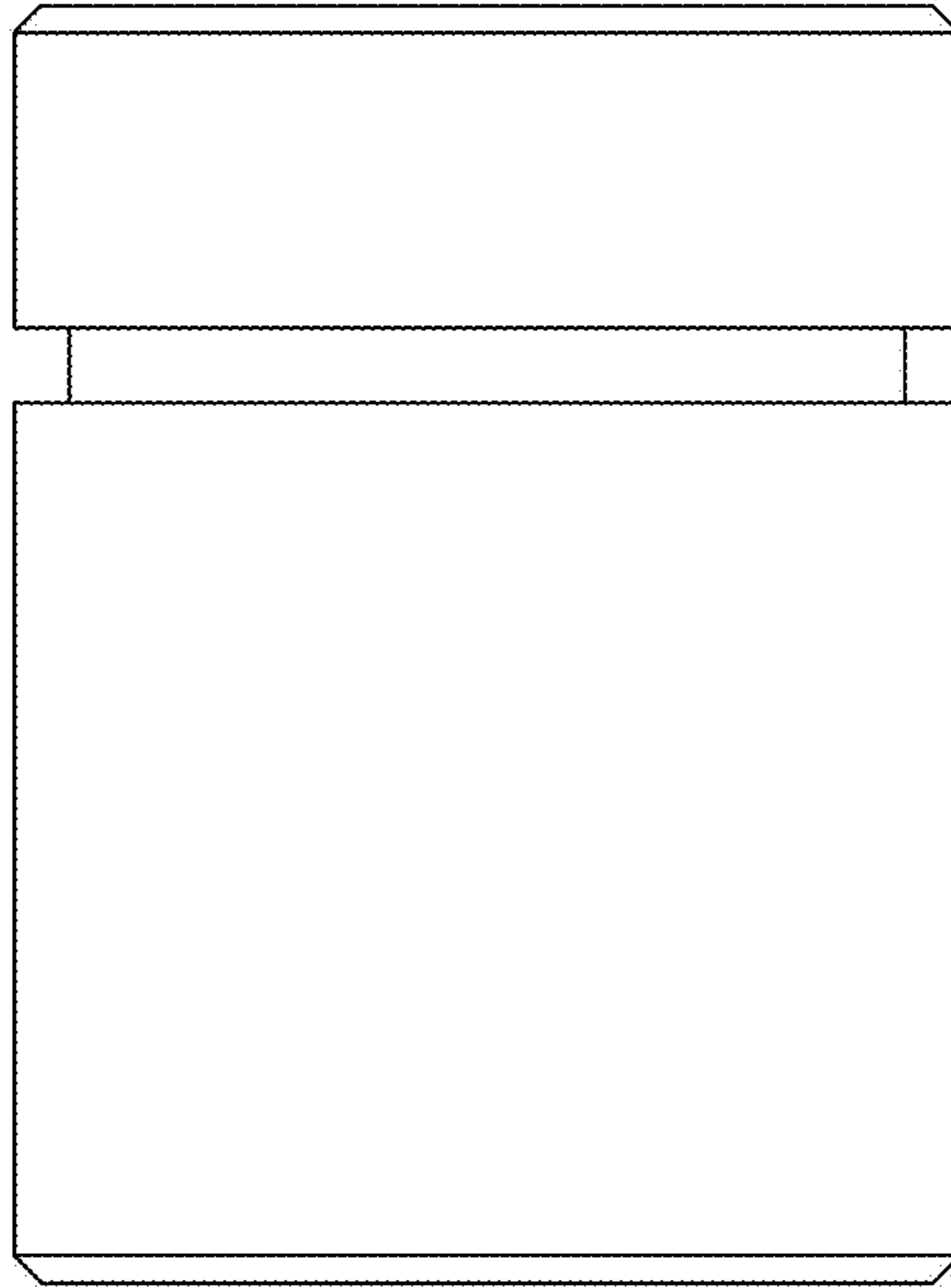


FIG.5

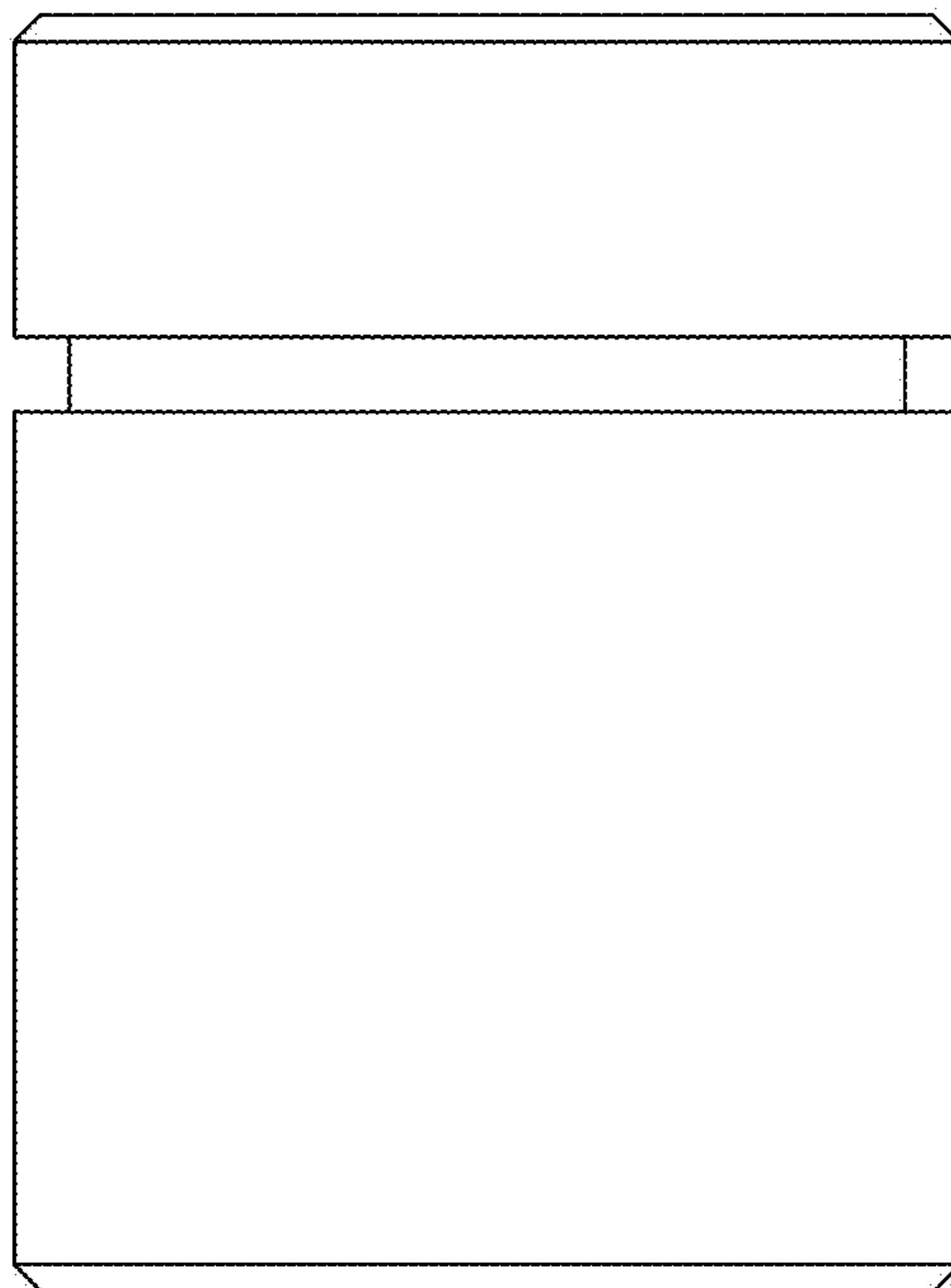


FIG. 6

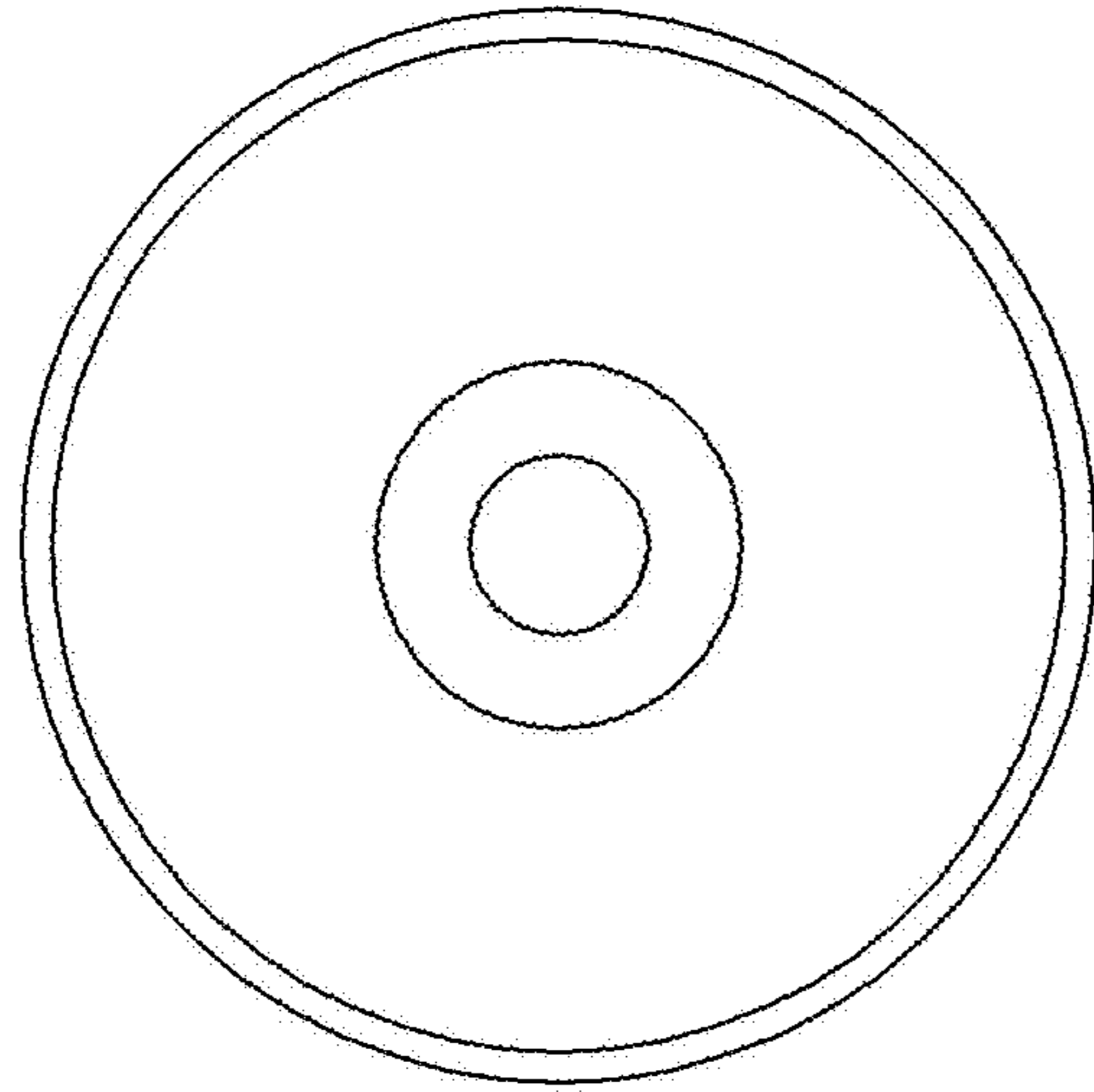


FIG. 7

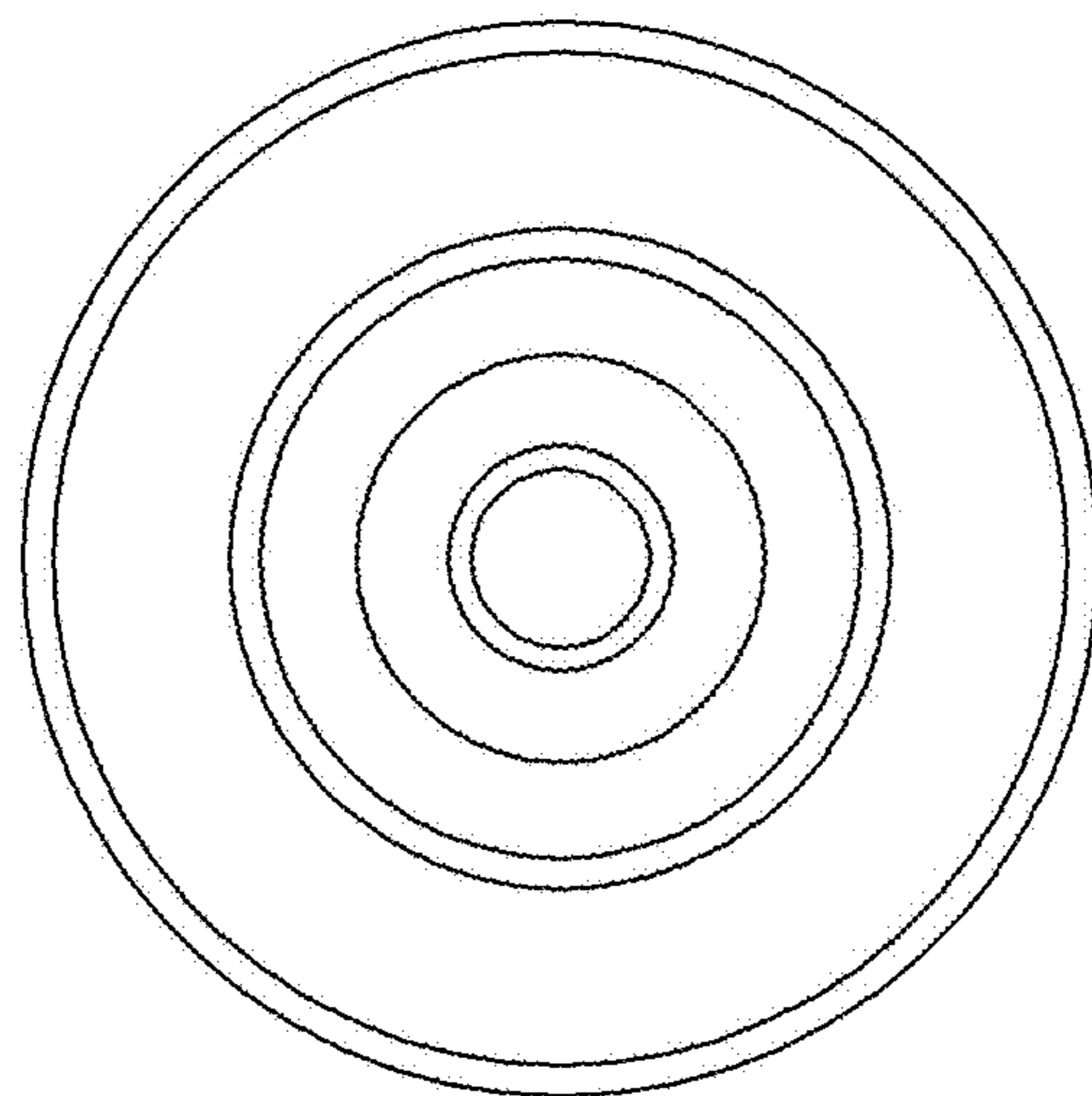


FIG. 8

