



US00D682907S

(12) **United States Design Patent**
Takano

(10) **Patent No.:** **US D682,907 S**
(45) **Date of Patent:** **** May 21, 2013**

(54) **SURVEILLANCE SENSOR**

(75) Inventor: **Hiroshi Takano**, Otsu (JP)

(73) Assignee: **Optex Co., Ltd.**, Shiga (JP)

(**) Term: **14 Years**

(21) Appl. No.: **29/369,932**

(22) Filed: **Sep. 15, 2010**

Related U.S. Application Data

(62) Division of application No. 29/321,730, filed on Jul. 22, 2008, now Pat. No. Des. 626,163.

(51) **LOC (9) Cl.** **16-01**

(52) **U.S. Cl.**
USPC **D16/203**

(58) **Field of Classification Search** D16/200–205,
D16/208, 218–219; 348/131, 143, 151, 163,
348/169, 373–375; 396/419, 427–428, 535–541;
248/181.1, 181.2, 182.1, 183.2, 185.1, 186.2
See application file for complete search history.

(56) **References Cited**

U.S. PATENT DOCUMENTS

3,613,538	A *	10/1971	Horberg, Jr.	396/427
5,224,675	A	7/1993	Ellenberger et al.	
5,790,910	A	8/1998	Haskin	
D472,260	S *	3/2003	Higgins et al.	D16/203
6,686,952	B1	2/2004	Brazier	
6,793,415	B2	9/2004	Arbuckle	
6,894,724	B2	5/2005	Patel et al.	
D550,740	S	9/2007	Satoh et al.	
D555,691	S	11/2007	Kato et al.	

D576,193	S	9/2008	Su et al.	
D585,926	S	2/2009	Su et al.	
8,061,920	B2 *	11/2011	Wimberley	248/181.1
2007/0152116	A1	7/2007	Madsen	
2008/0121767	A1	5/2008	Wimberley	

* cited by examiner

Primary Examiner — Wan Laymon

(74) *Attorney, Agent, or Firm* — Sughrue Mion, PLLC

(57) **CLAIM**

The ornamental design for a surveillance sensor, as shown and described.

DESCRIPTION

FIG. 1 is a front elevational view of a surveillance sensor according to a first embodiment of my new design;
 FIG. 2 is a rear elevational view thereof;
 FIG. 3 is a left side elevational view thereof;
 FIG. 4 is a right side elevational view thereof;
 FIG. 5 is a top plan view thereof;
 FIG. 6 is a bottom plan view thereof;
 FIG. 7 is a perspective view thereof;
 FIG. 8 is a front elevational view of a surveillance sensor according to a second embodiment of my new design;
 FIG. 9 is a rear elevational view thereof;
 FIG. 10 is a left side elevational view thereof;
 FIG. 11 is a right side elevational view thereof;
 FIG. 12 is a top plan view thereof;
 FIG. 13 is a bottom plan view thereof; and,
 FIG. 14 is a perspective view thereof.

Portions of the surveillance sensor shown in broken lines from no part of the claimed design.

1 Claim, 14 Drawing Sheets

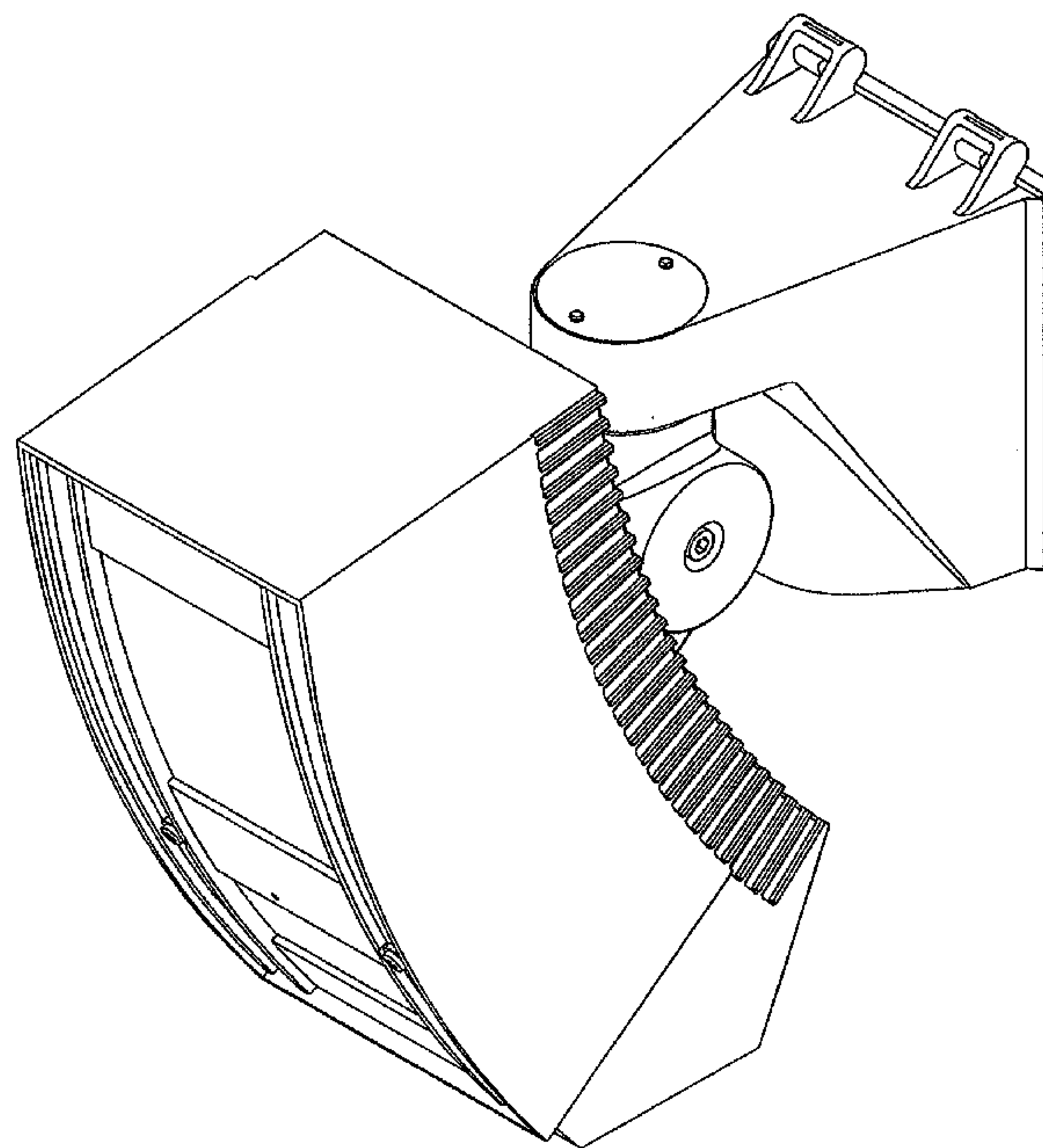
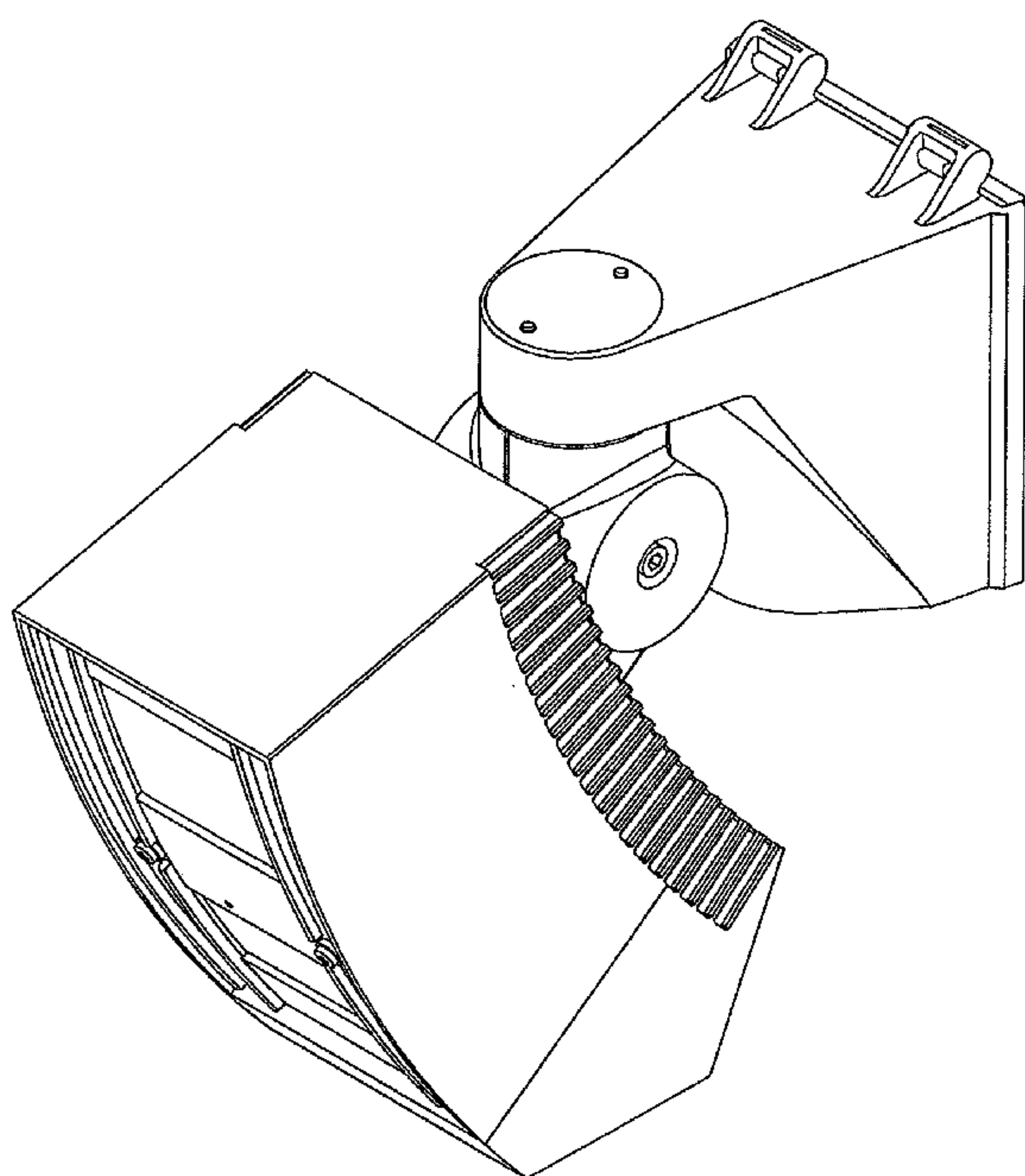


Fig. 1

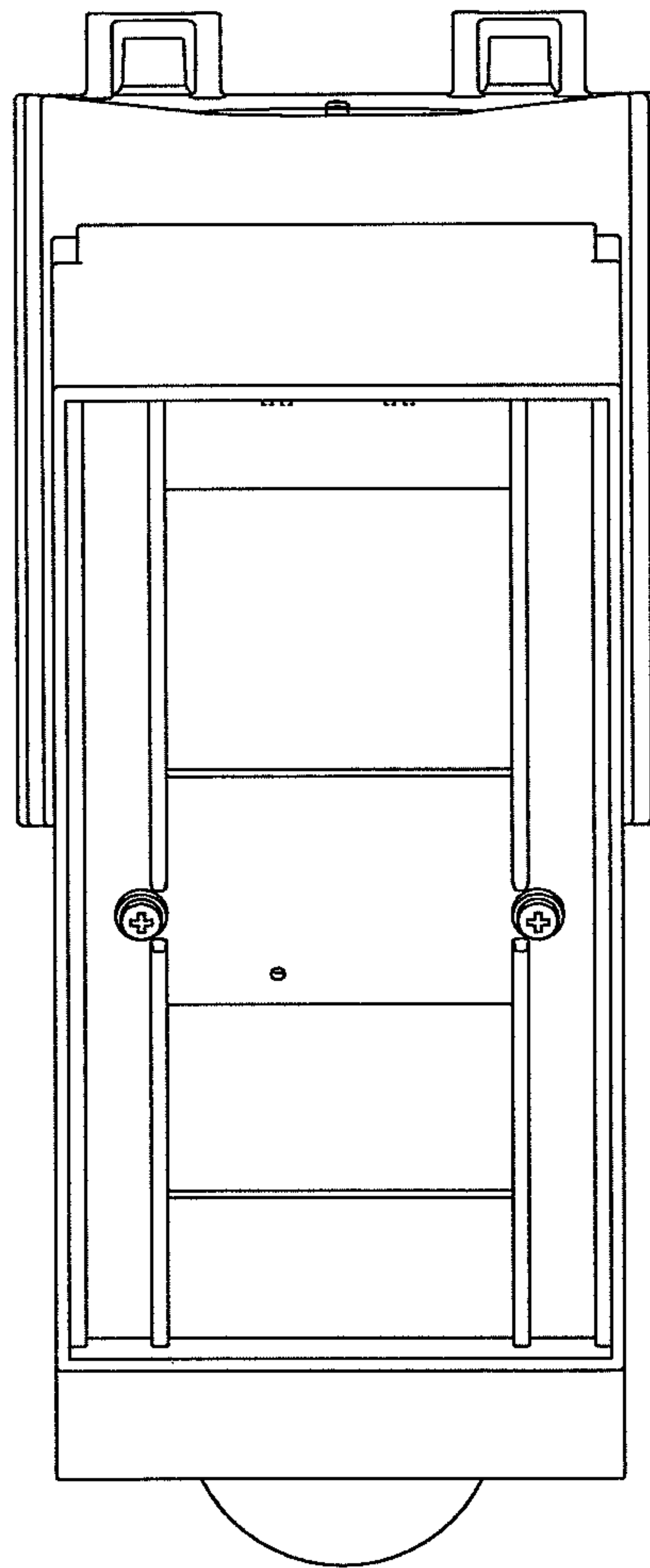


Fig. 2

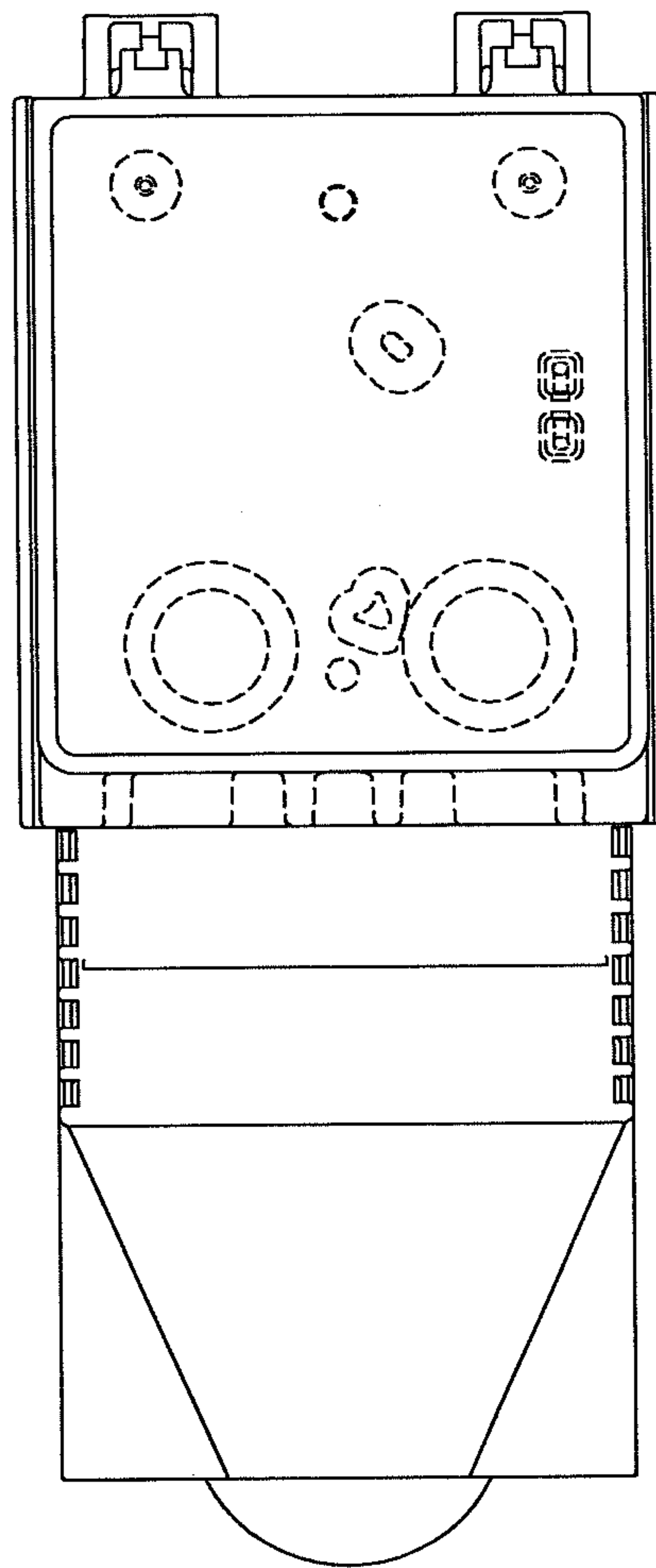


Fig. 3

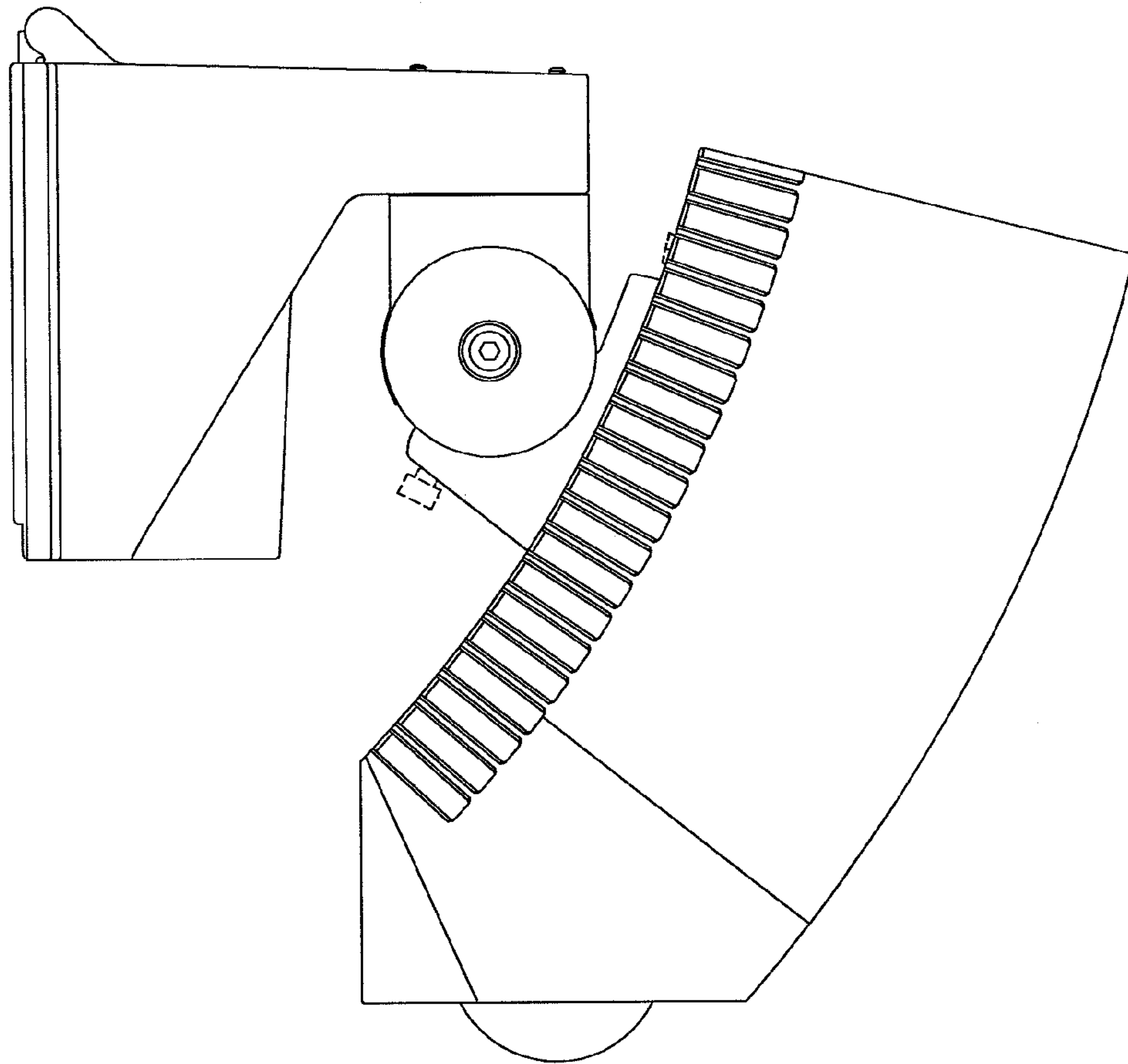


Fig. 4

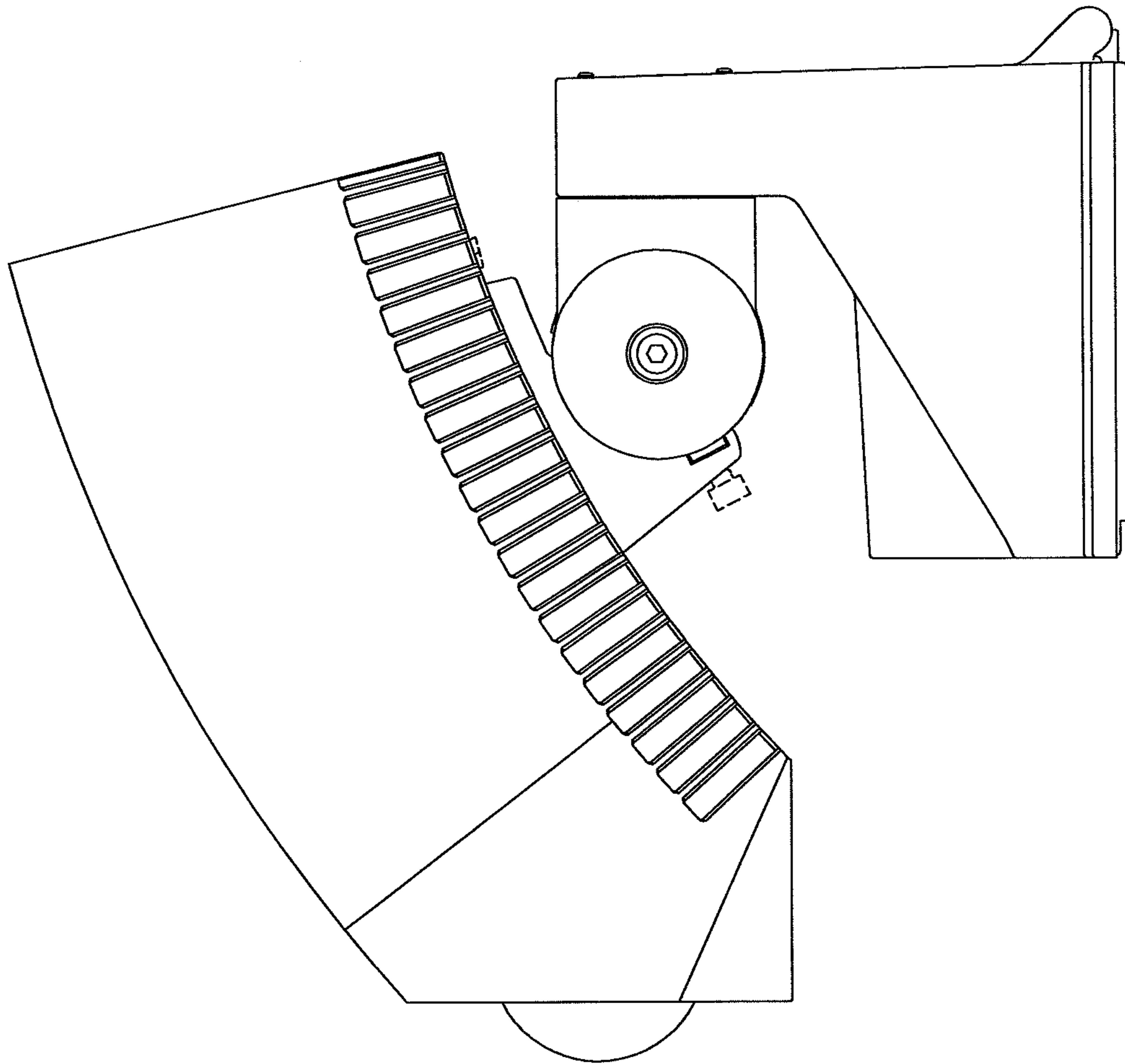


Fig. 5

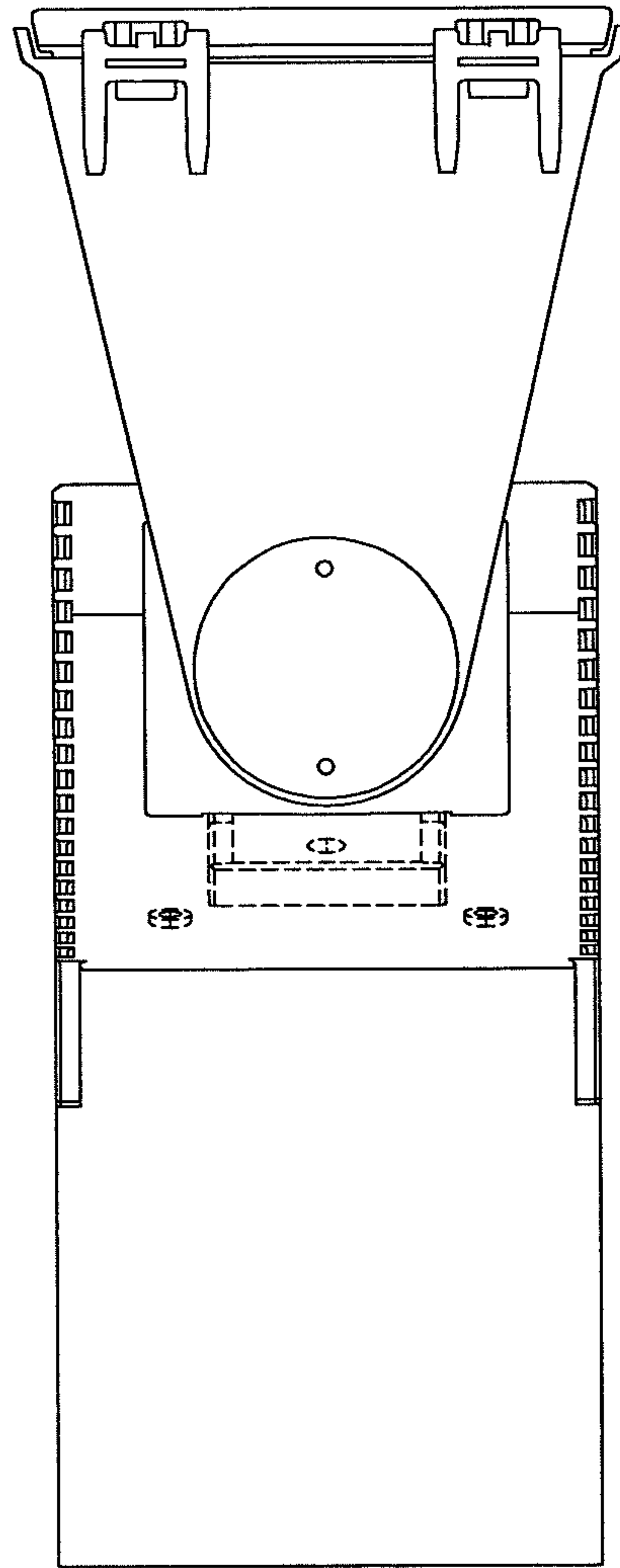


Fig. 6

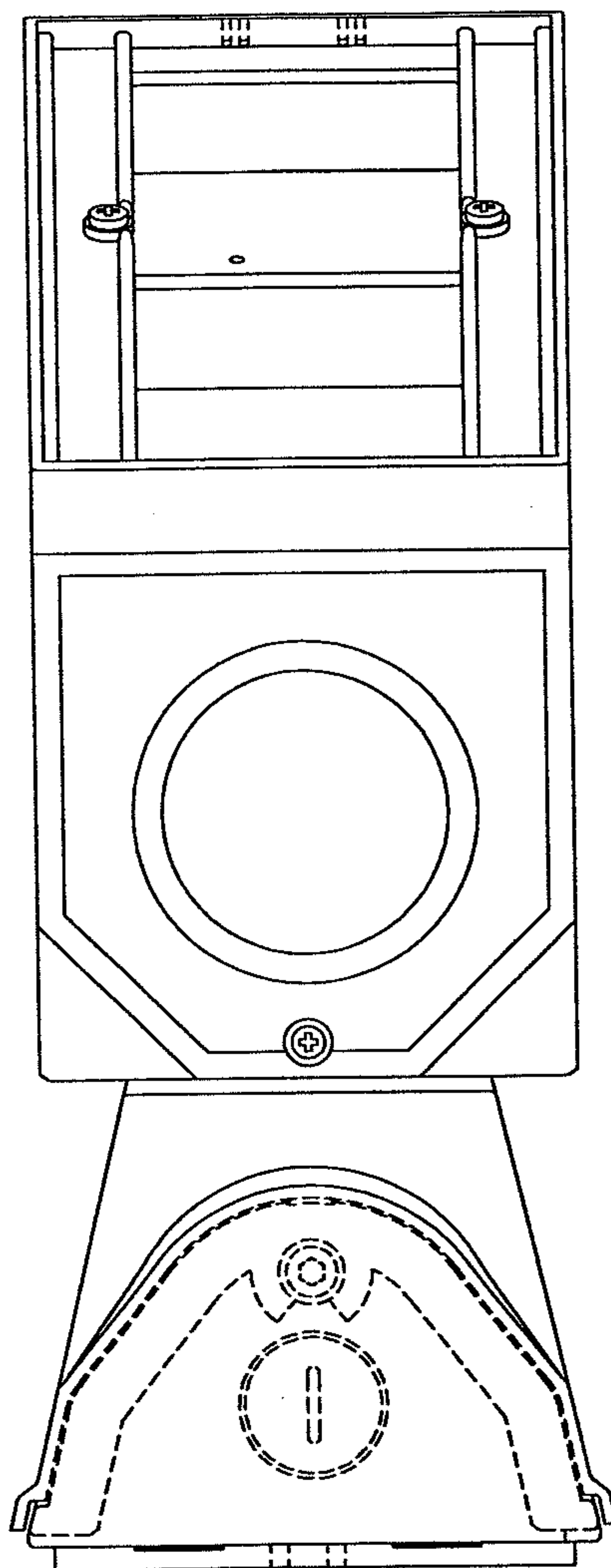


Fig. 7

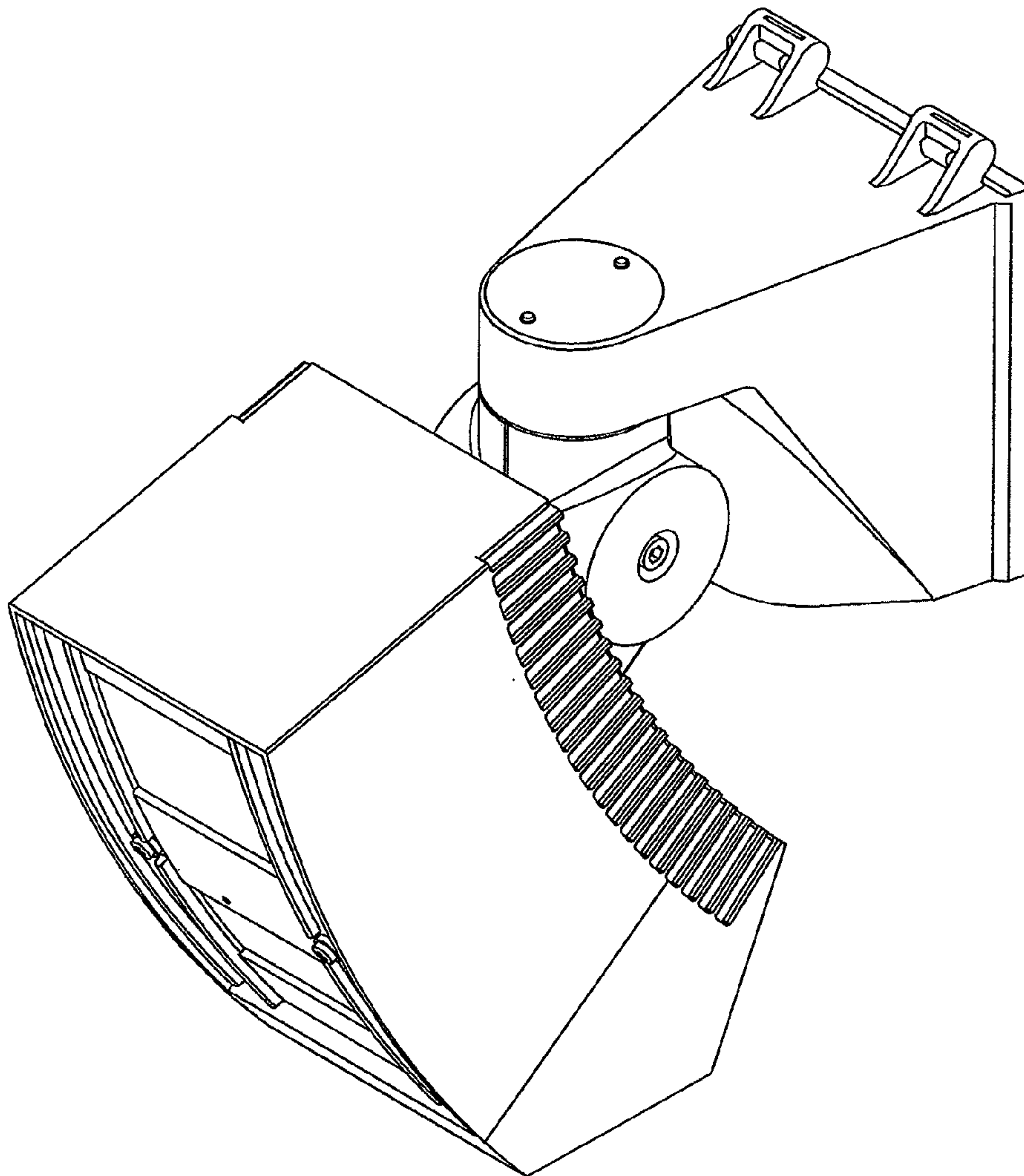


Fig. 8

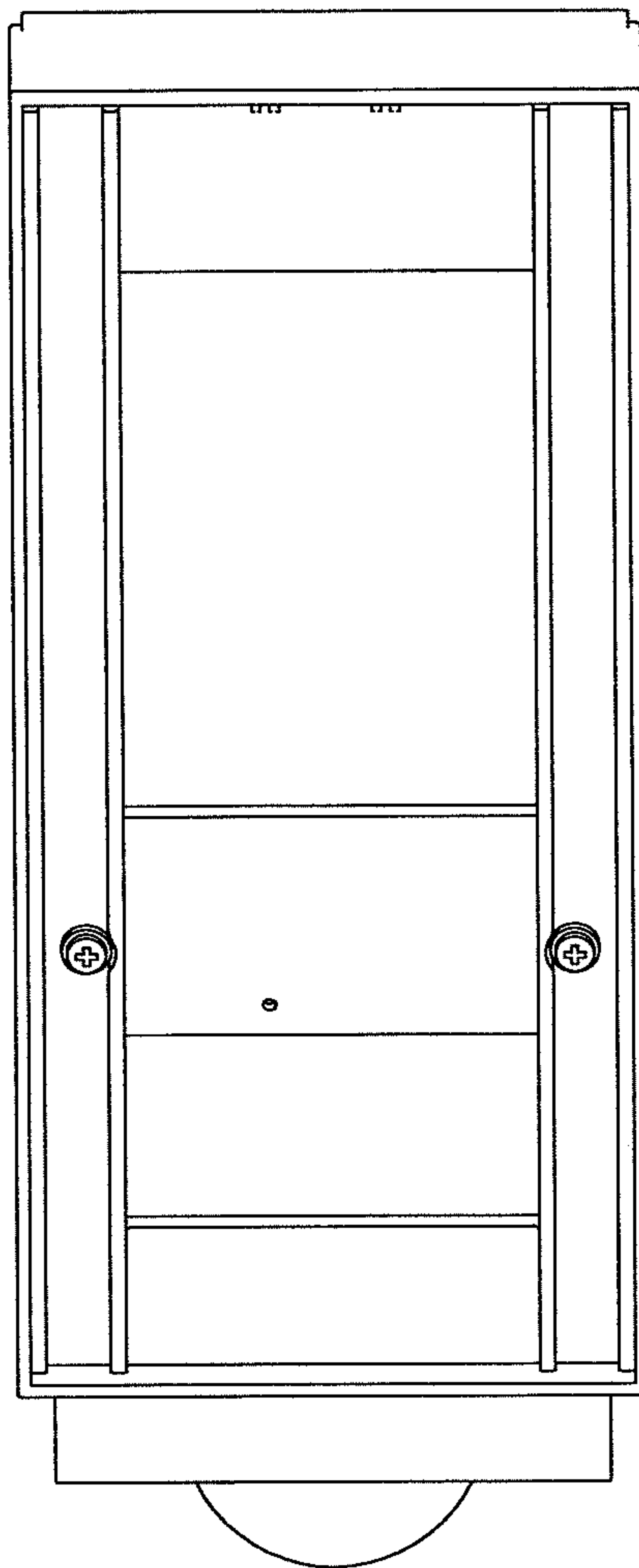


Fig. 9

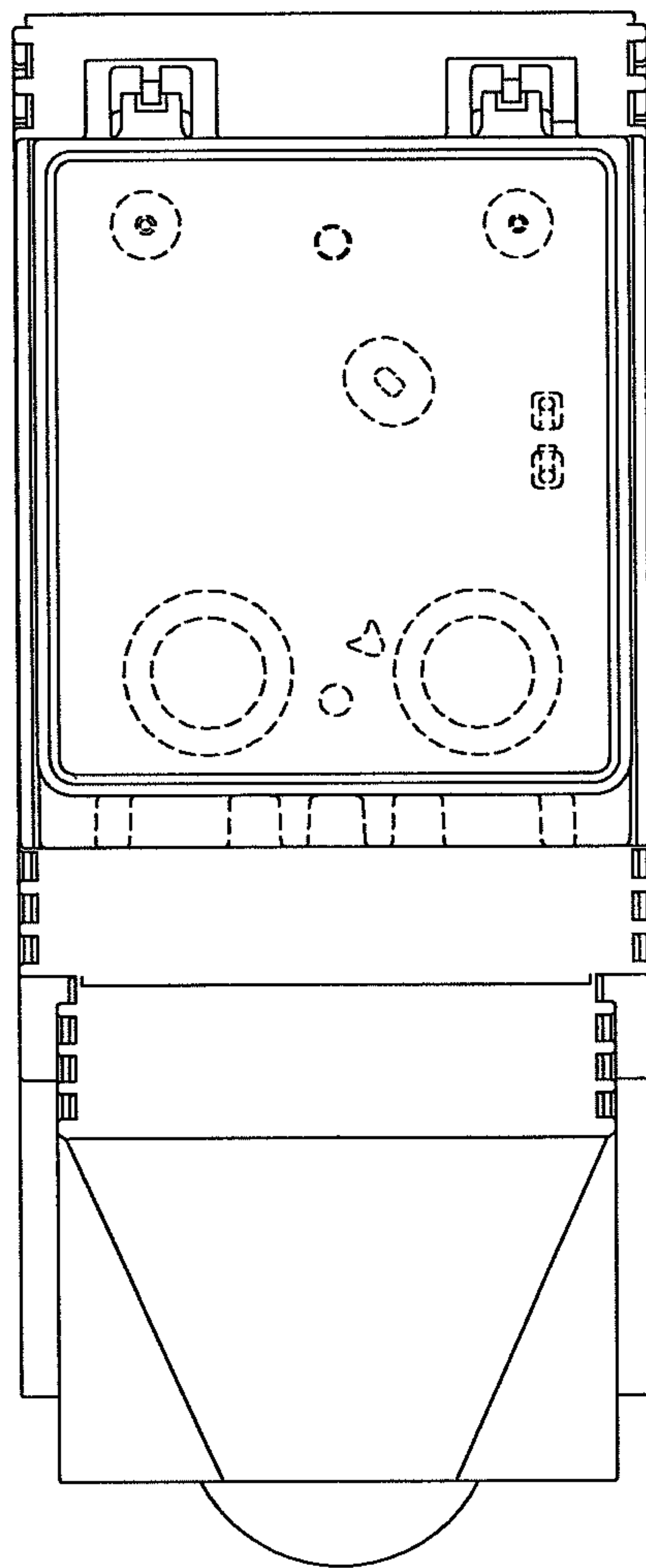


Fig. 10

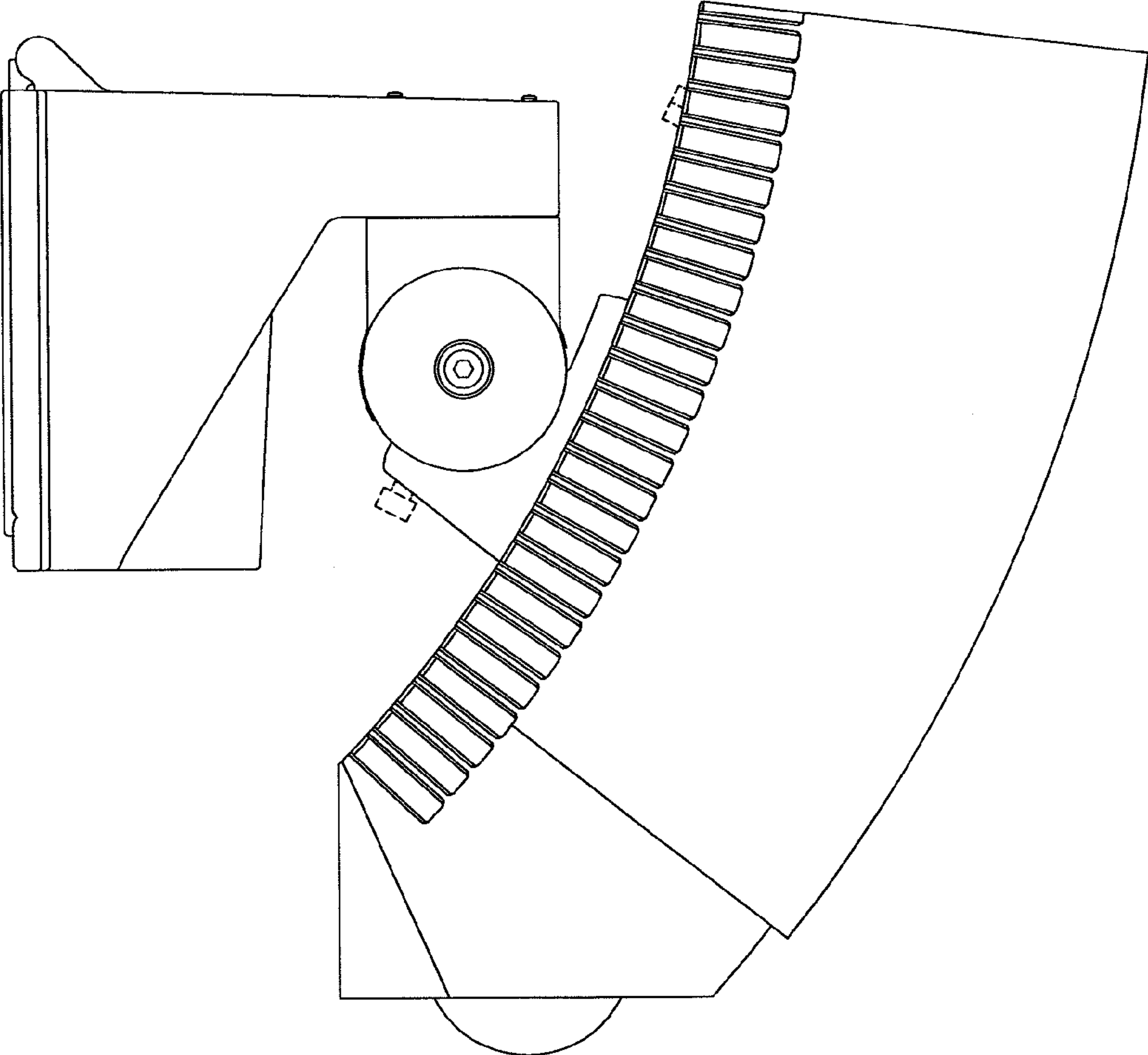


Fig. 11

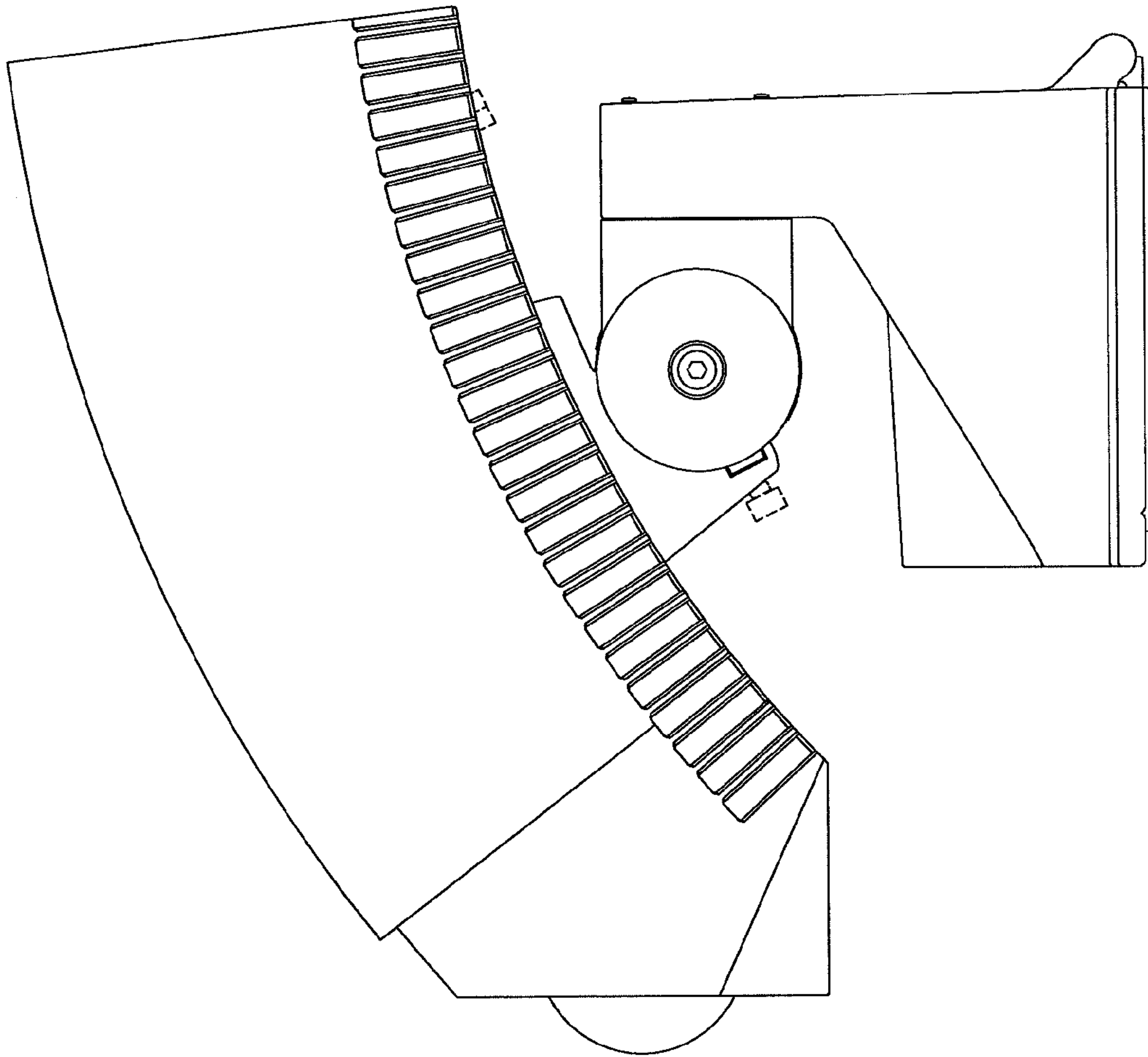


Fig. 12

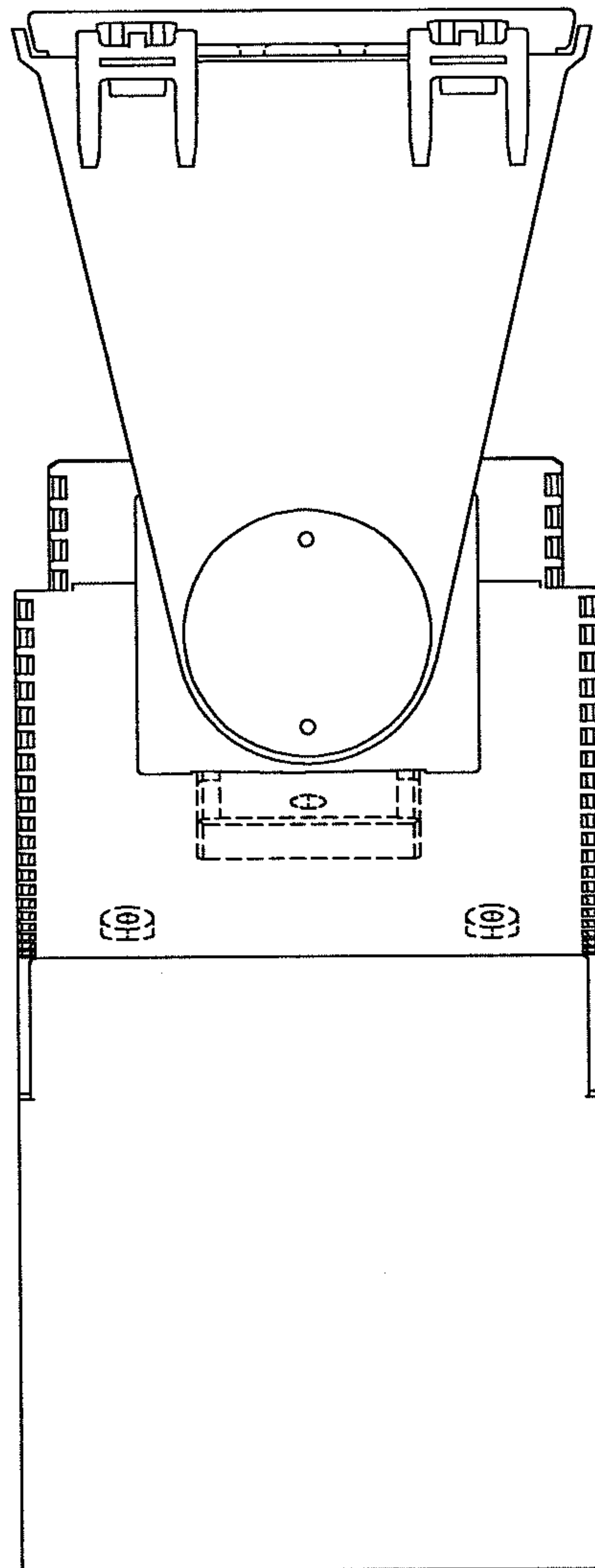


Fig. 13

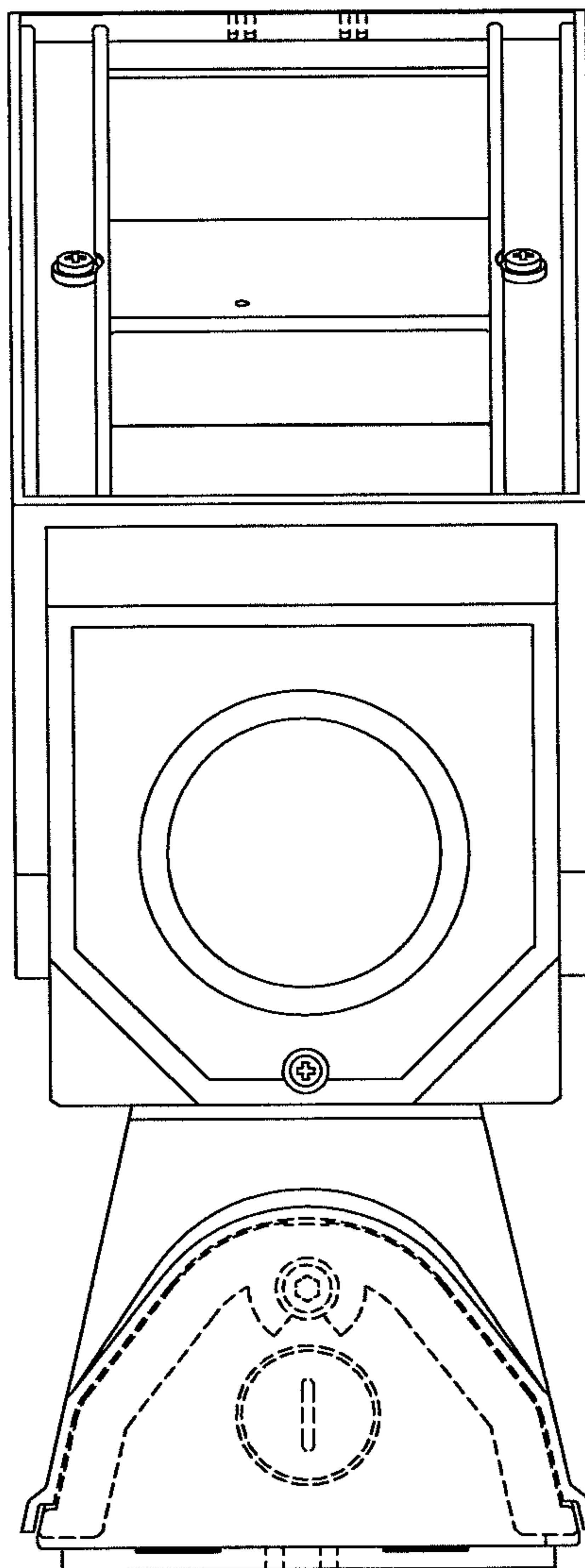


Fig. 14

