



US00D682906S

(12) **United States Design Patent**
Uemachi et al.

(10) **Patent No.:** **US D682,906 S**

(45) **Date of Patent:** **** May 21, 2013**

(54) **DIGITAL CAMERA**

(75) Inventors: **Tatsuya Uemachi**, Kanagawa pref. (JP);
Takashi Umehara, Tokyo (JP); **Akira Nojima**, Tokyo (JP)

(73) Assignee: **Nikon Corporation**, Tokyo (JP)

(**) Term: **14 Years**

(21) Appl. No.: **29/415,360**

(22) Filed: **Mar. 9, 2012**

(30) **Foreign Application Priority Data**

Sep. 20, 2011 (JP) 2011-021395

(51) **LOC (9) Cl.** **16-01**

(52) **U.S. Cl.**
USPC **D16/202**

(58) **Field of Classification Search** D16/200,
D16/202, 204, 208, 218, 219; 348/373-376;
358/909.1; 396/25, 535, 540, 541

See application file for complete search history.

(56) **References Cited**

U.S. PATENT DOCUMENTS

| | | | | |
|----------------|---------|---------------|-------|------------|
| D555,689 S * | 11/2007 | Yoo et al. | | D16/218 |
| D561,801 S | 2/2008 | Nakamura | | |
| D597,576 S * | 8/2009 | Kim et al. | | D16/202 |
| 7,778,014 B2 * | 8/2010 | Saiki et al. | | 361/679.01 |
| D628,220 S * | 11/2010 | Lee | | D16/202 |
| 7,929,859 B2 * | 4/2011 | Saiki | | 396/535 |
| 8,014,667 B2 * | 9/2011 | Saiki | | 396/535 |
| D649,572 S * | 11/2011 | Lee | | D16/202 |
| D662,958 S * | 7/2012 | Fujita | | D16/202 |
| D677,706 S * | 3/2013 | Nojima et al. | | D16/202 |

FOREIGN PATENT DOCUMENTS

| | | |
|----|------------|--------|
| JP | D1077280 S | 7/2000 |
| JP | D1432563 S | 1/2012 |
| JP | D1432777 S | 1/2012 |

| | | |
|----|------------|--------|
| JP | D1441456 S | 5/2012 |
| JP | D1441457 S | 5/2012 |
| JP | D1441458 S | 5/2012 |

OTHER PUBLICATIONS

[No Author Listed] Model "D-LUX 4 Safari" Leica Limited, Olive Paint. DC Watch. Jun. 25, 2009. Accessed online at http://dc.watch.impress.co.jp/docs/news/20090625_296613.html Last accessed Feb. 14, 2013.

[No Author Listed] Leica D-Lux 4 and C-Lux 3. Wex blog. Sep. 23, 2008. Accessed online: <http://www.wexphotographic.com/blog/leica-d-lux-4-and-c-lux-3>. Last accessed Feb. 14, 2013.

(Continued)

Primary Examiner — Adir Aronovich

(74) *Attorney, Agent, or Firm* — Wolf, Greenfield & Sacks, P.C.; Randy J. Pritzker

(57) **CLAIM**

The ornamental design for a digital camera, as shown and described.

DESCRIPTION

FIG. 1 is a front perspective view of a digital camera showing our new design;

FIG. 2 is a rear perspective view thereof;

FIG. 3 is a front elevational view thereof;

FIG. 4 is a rear elevational view thereof;

FIG. 5 is a top plan view thereof;

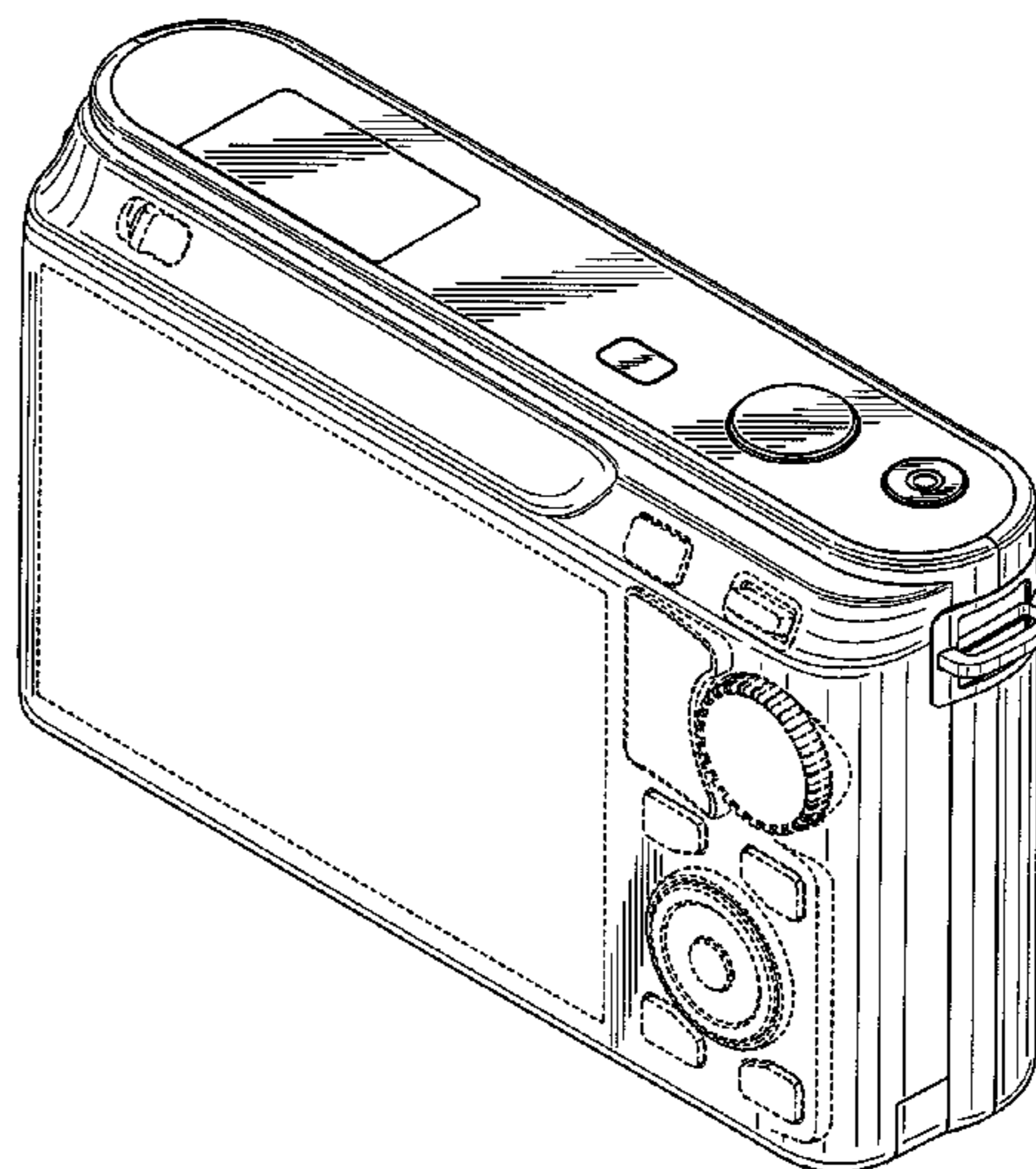
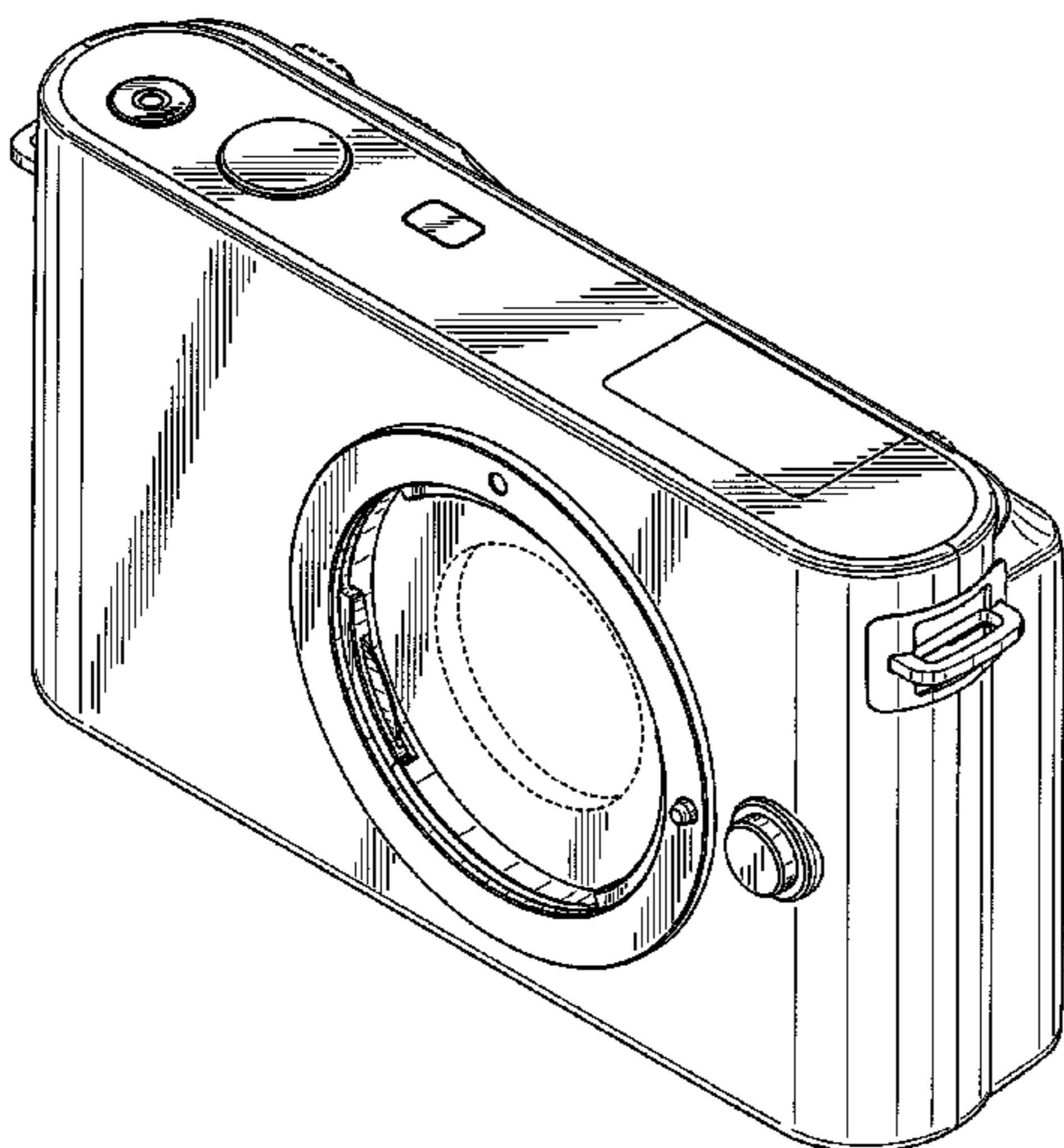
FIG. 6 is a bottom plan view thereof;

FIG. 7 is a right side elevational view thereof; and,

FIG. 8 is a left side elevational view thereof.

The features shown in broken lines in the drawings depict environmental subject matter only and form no part of the claimed design.

1 Claim, 7 Drawing Sheets



OTHER PUBLICATIONS

[No Author Listed] Leica D-Lux-4: the first digital compact system camera. Date not listed on document. DC Views. Accessed online: <http://www.dviews.com/press/Leica-D-Lux-4.htm> Last accessed Feb. 14, 2013.

LR ADMIN, Leca D-Lux 4 custom hot shoe cover. <http://leicarumors.com> Jan. 15, 2009. Accessed online at: <http://leicarumors.com/2009/01/15/leica-d-lux-4-custom-hot-shoe-cover.aspx/> Last accessed Feb. 14, 2013.

Franiec, Leica D-LUX 4. Accessed online at: http://kleptography.com/rf/#camera_dlux4. Last accessed Feb. 14, 2013.

[No Author Listed] Leica D-LUX5. Leica website. Accessed online: http://jp.leica-camera.com/photography/compact_cameras/d-lux_5/. Last accessed Feb. 14, 2013.

[No Author Listed] Leica D-Lux 5 Camera with battery & charger. Seikamon. Listed Oct. 3, 2012. Accessed online: <http://www.sekaimon.com/i320994683765>. Last accessed Feb. 14, 2013.

[No Author Listed] Leica X—1 New Products. DC Watch. May 31, 2010. Accessed online: http://dc.watch.impress.co.jp/docs/review/newproduct/20100531_370187.html. Last accessed Feb. 14, 2013.

[No Author Listed] Leica X—1. Tecomac Trading Co. Ltd. Product added to catalog May 10, 2012. Accessed online: http://www.tecomac.net/v2/product_info.php?products_id=301. Last accessed Feb. 14, 2013.

[No Author Listed] Leica X—1. Vingt Huit Biog. Sep. 10, 2009. Accessed online: <http://vingt-huit.blog.so-net.ne.jp/2009-09-10-1>. Last accessed Feb. 14, 2013.

* cited by examiner

FIG. 1

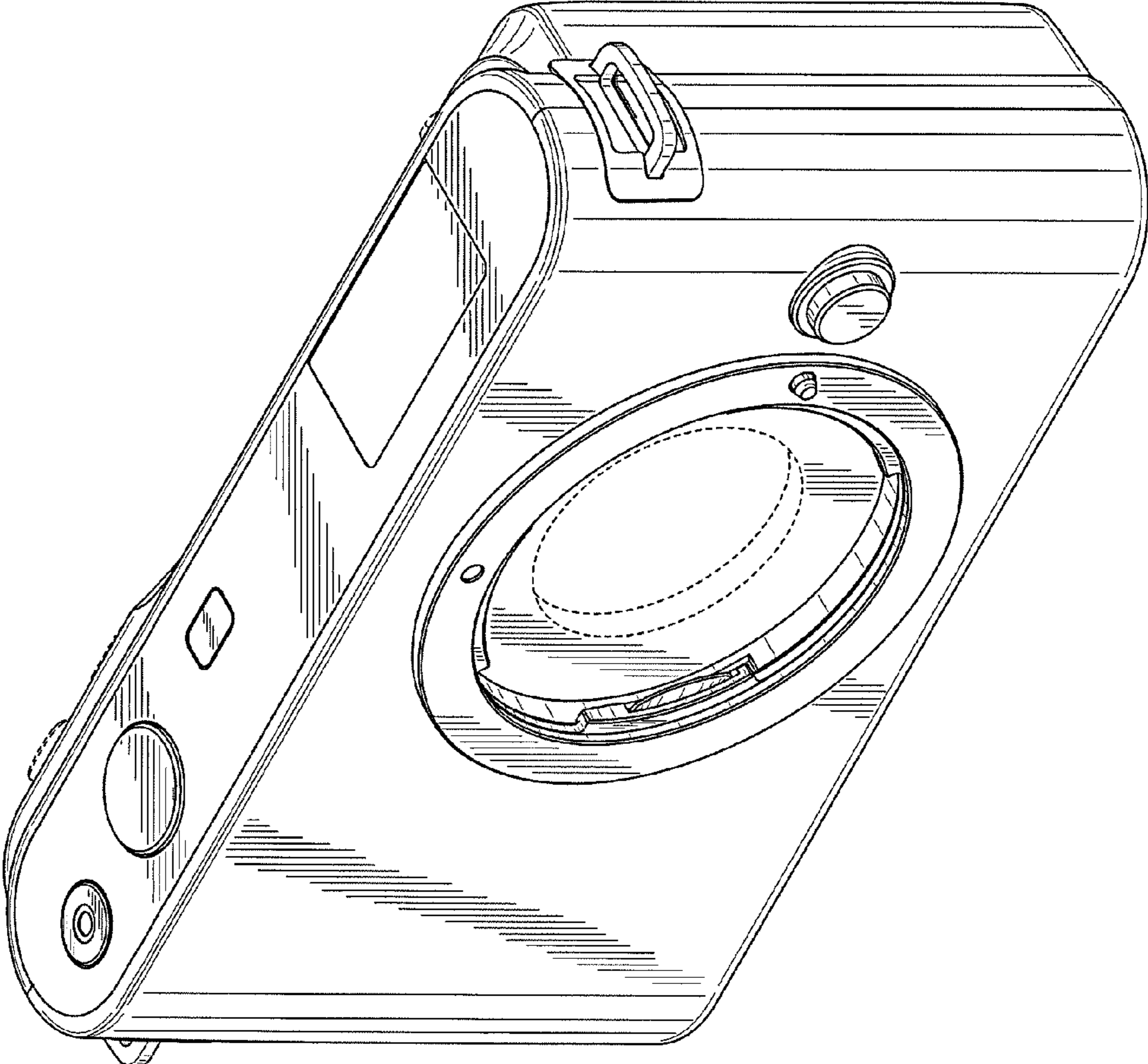


FIG. 2

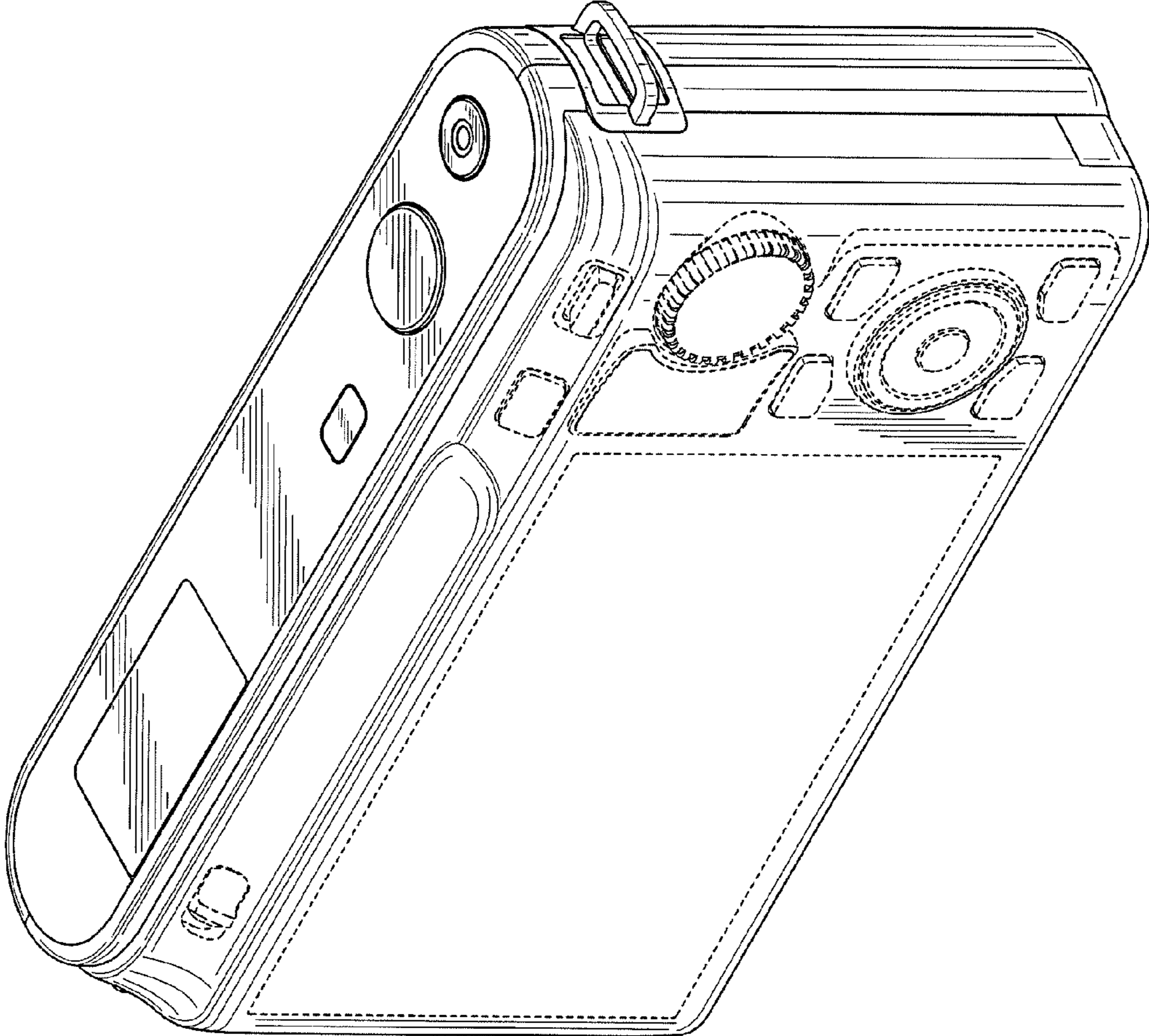


FIG. 3

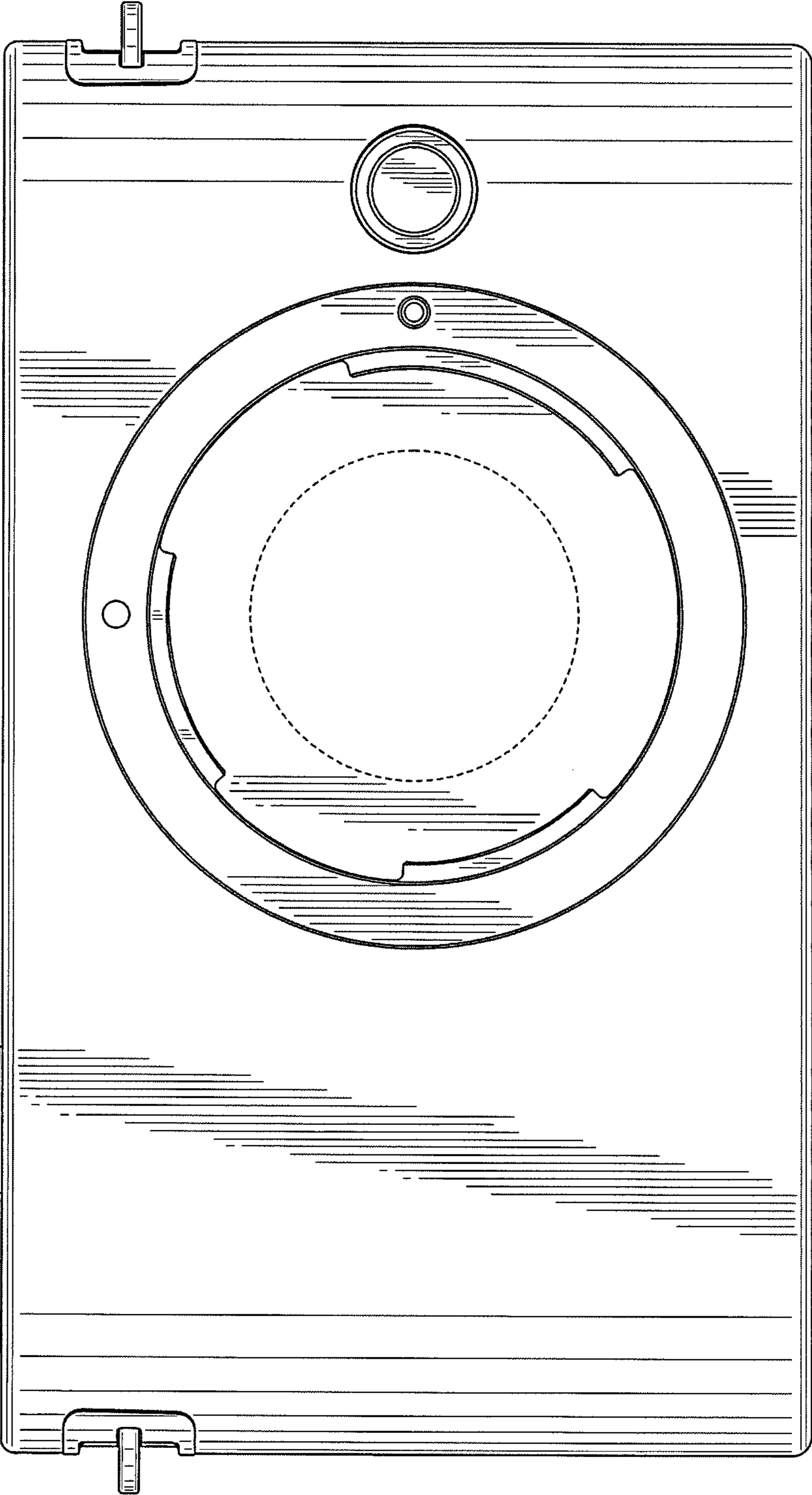


FIG. 4

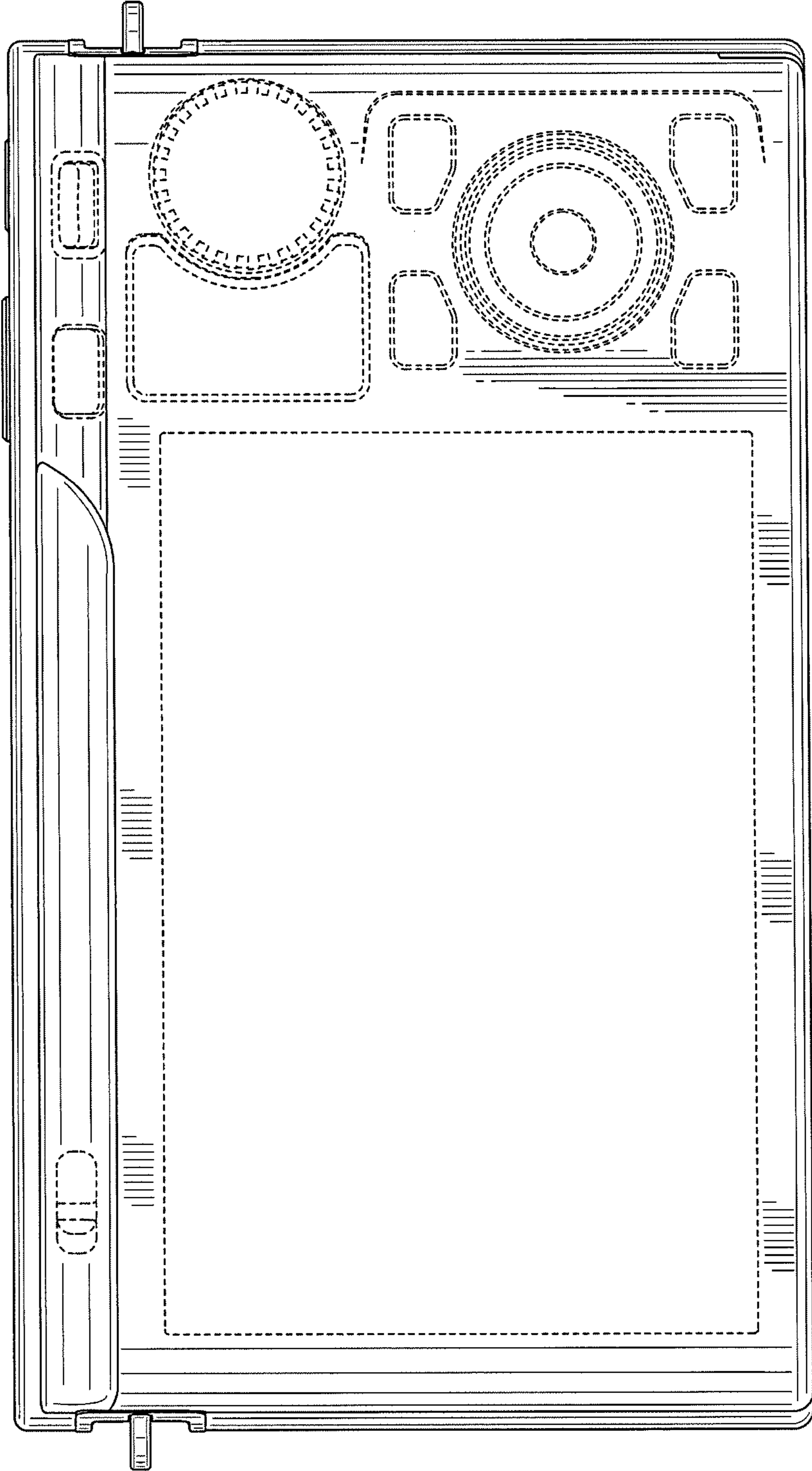


FIG. 5

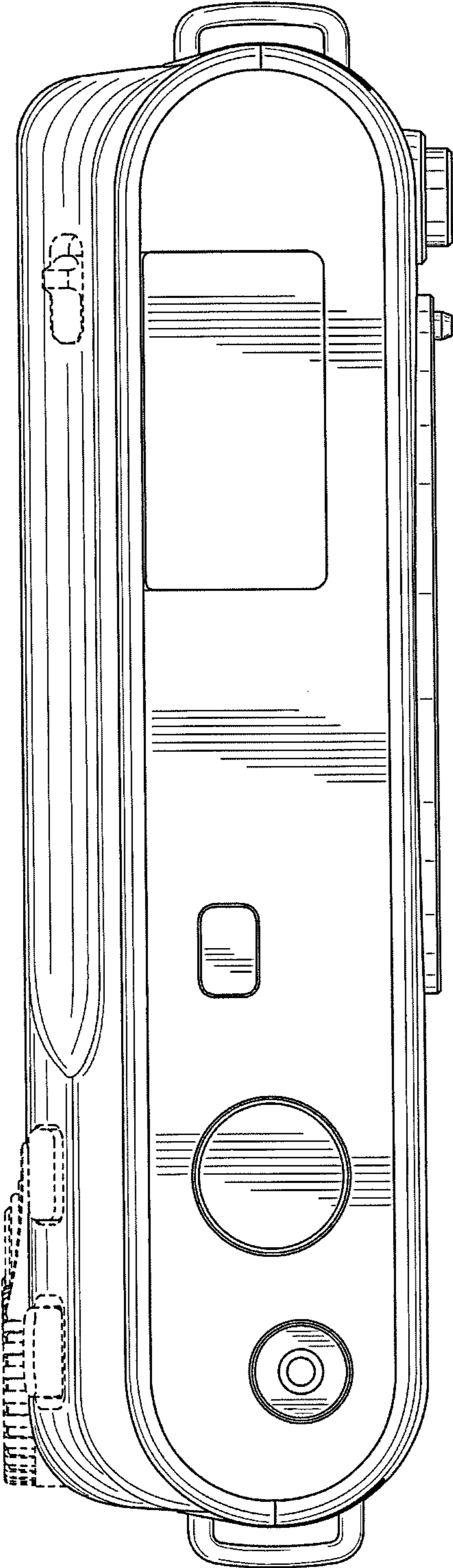


FIG. 6

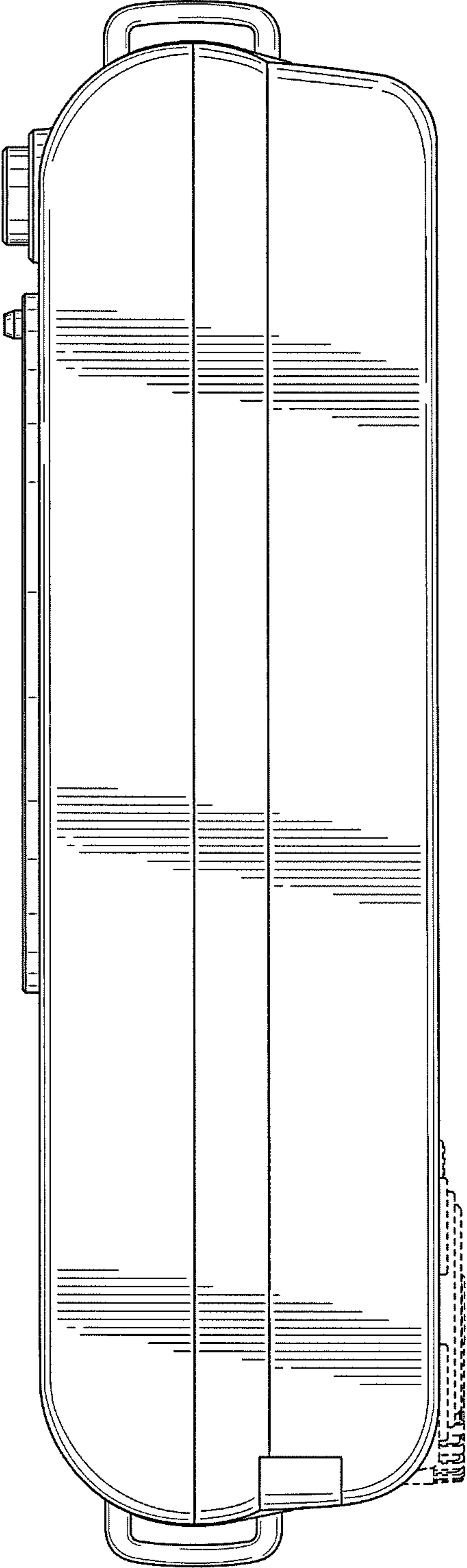


FIG. 8

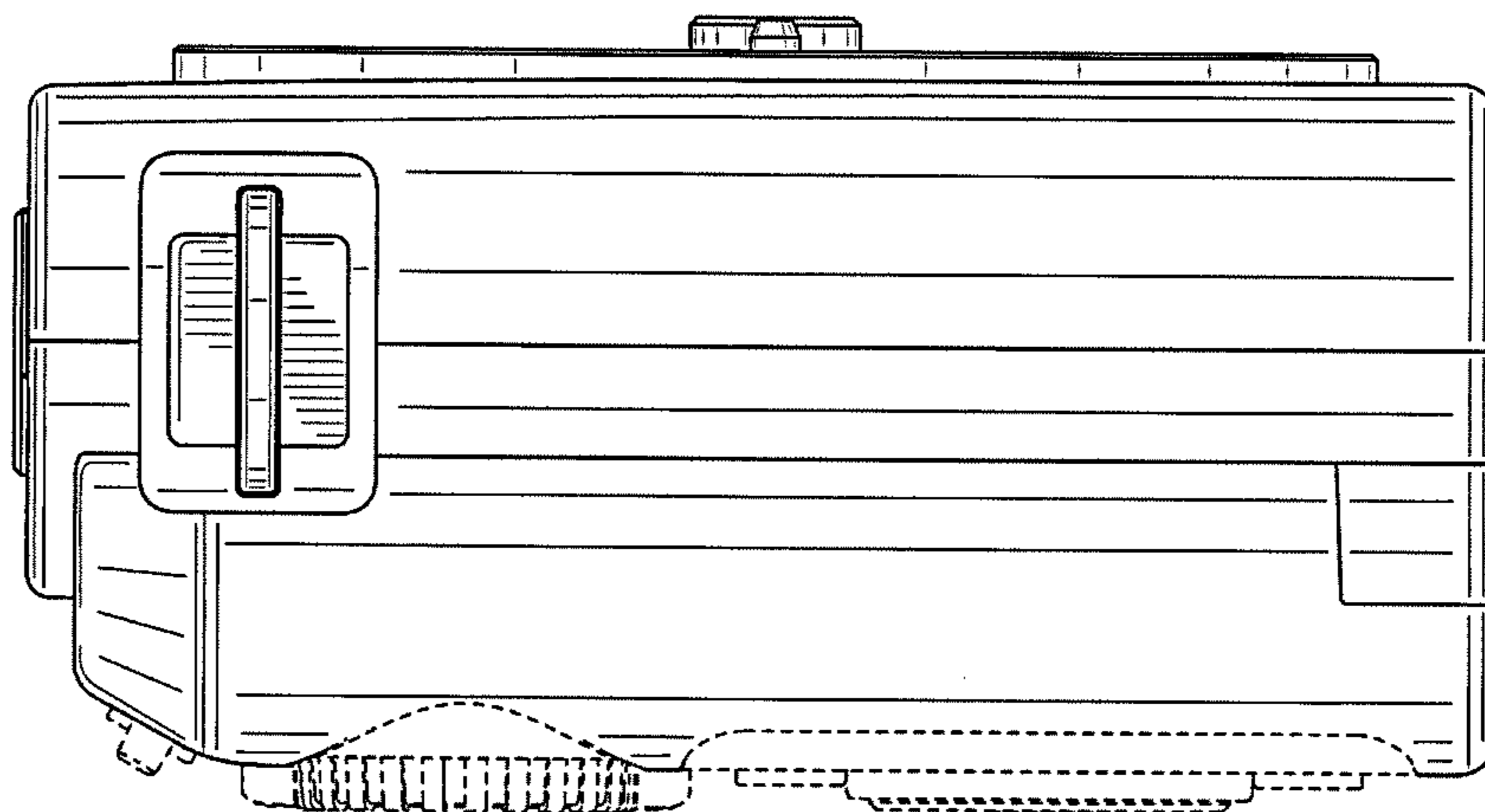


FIG. 7

