



US00D682905S

(12) **United States Design Patent**
Kendall et al.

(10) **Patent No.:** **US D682,905 S**

(45) **Date of Patent:** **** May 21, 2013**

(54) **GEMSTONE VIEWER**

(75) Inventors: **Jonathan G Kendall**, London (GB);
Peter Stanley Rose, Berkshire (GB);
Maxwell R Willis, Berkshire (GB);
James Gordon Charters Smith,
Berkshire (GB); **Siobhan Margaret**
D’Gama, Berkshire (GB); **Christopher**
Daws, Berkshire (GB); **Sarah Louise**
Foster, Berkshire (GB); **Paul**
Priestman, London (GB); **David**
Hamilton, London (GB)

(73) Assignee: **De Beers Centenary AG**, Luzern (CH)

(**) Term: **14 Years**

(21) Appl. No.: **29/410,898**

(22) Filed: **Jan. 13, 2012**

(51) **LOC (9) Cl.** **16-06**

(52) **U.S. Cl.**
USPC **D16/135; D16/130**

(58) **Field of Classification Search** D16/135,
D16/130, 221, 225, 229, 200; D14/126,
D14/356, 371; 348/63; 359/804; 455/344
See application file for complete search history.

(56) **References Cited**

U.S. PATENT DOCUMENTS

D228,807	S	*	10/1973	Cinque	D16/225
D357,694	S	*	4/1995	Kirkpatrick	D16/135
5,446,595	A	*	8/1995	McFall	359/804
D392,303	S	*	3/1998	Hern	D16/225
D427,617	S	*	7/2000	Brown	D16/135
D430,588	S	*	9/2000	Goldberg et al.	D16/225
6,741,391	B1	*	5/2004	Ishihara et al.	359/372

7,433,185	B1	*	10/2008	Curran et al.	361/679.41
D631,903	S	*	2/2011	Sugiyama	D16/225
7,929,013	B2	*	4/2011	Goldenberg et al.	348/63
D664,584	S	*	7/2012	Turpault et al.	D16/225
D668,699	S	*	10/2012	Au et al.	D16/131

* cited by examiner

Primary Examiner — Paula Greene

(74) *Attorney, Agent, or Firm* — Dentons US LLP; Brian R. McGinley

(57) **CLAIM**

The ornamental design for a gemstone viewer, as shown and described.

DESCRIPTION

FIG. 1 is a top view of a gemstone viewer embodying the present invention;
FIG. 2 is a bottom view of the gemstone viewer illustrated in FIG. 1;
FIG. 3 is a right elevational view of the gemstone viewer illustrated in FIG. 1;
FIG. 4 is a left elevational view of the gemstone viewer illustrated in FIG. 1;
FIG. 5 is a front view of the gemstone viewer illustrated in FIG. 1;
FIG. 6 is a rear view of the gemstone viewer illustrated in FIG. 1; and,
FIG. 7 is a perspective view of the gemstone viewer illustrated in FIG. 1.
The broken lines in FIGS. 3-5 are included for the purpose of illustrating environment and form no part of the claimed design.

1 Claim, 7 Drawing Sheets

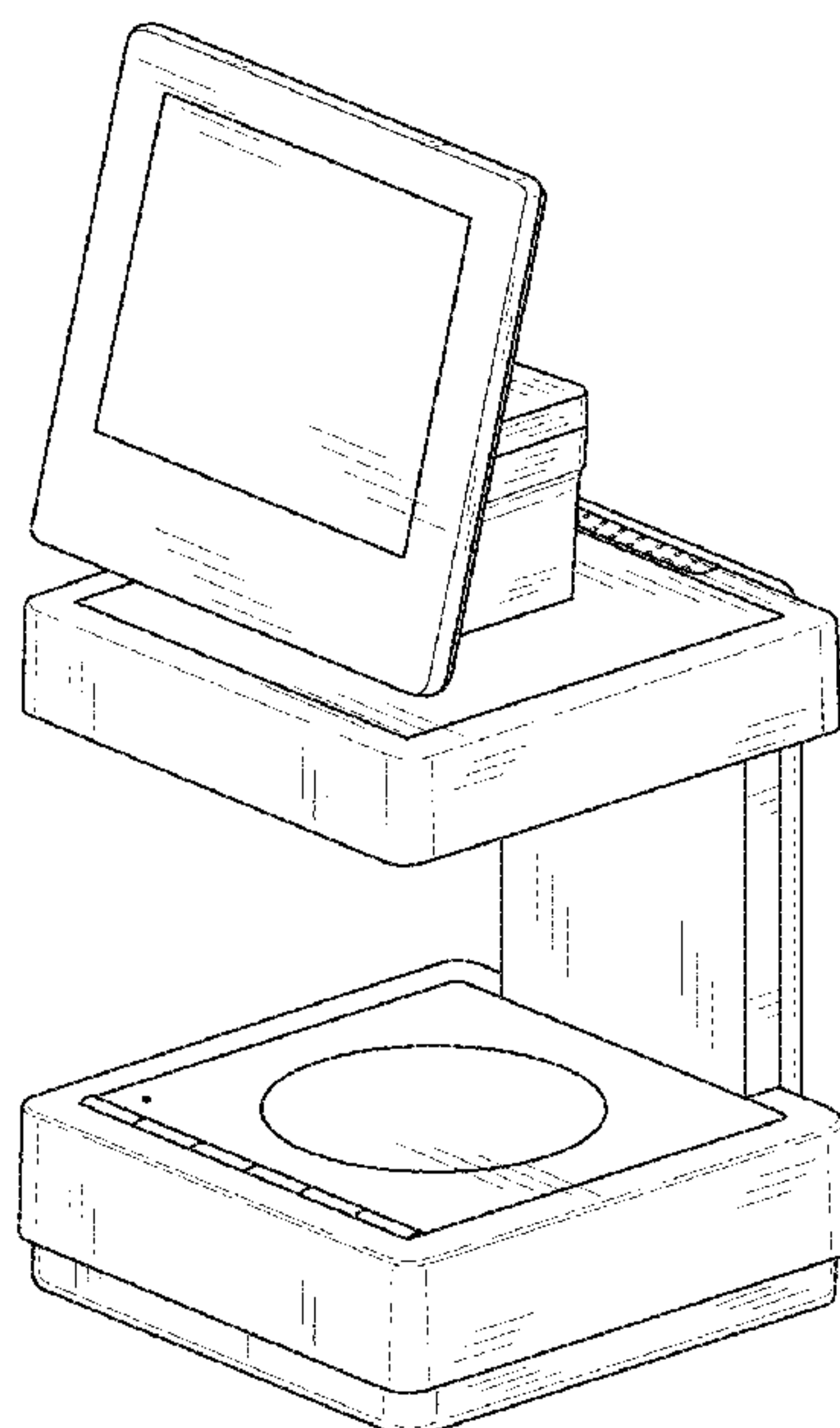


FIG. 1

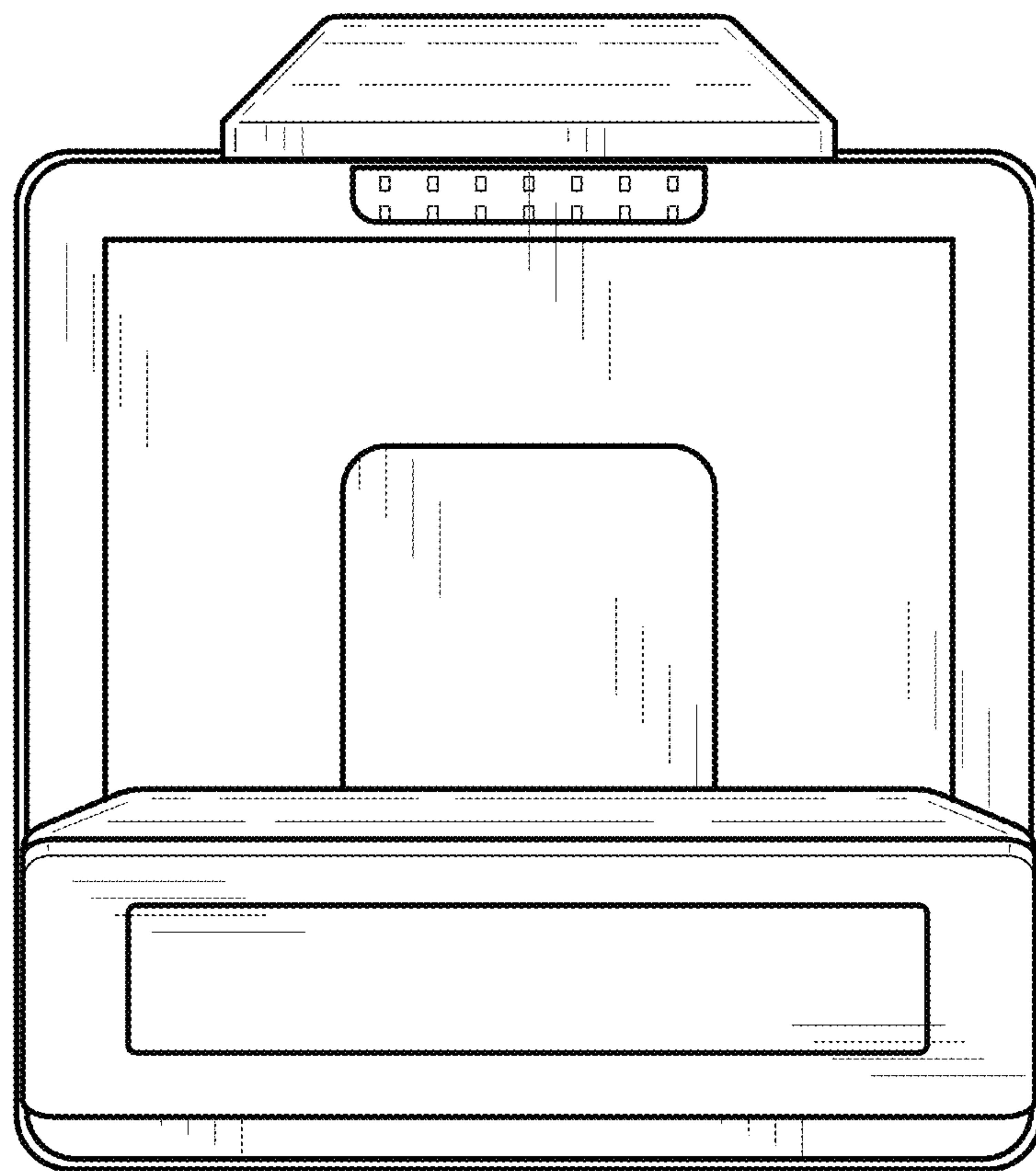


FIG. 2

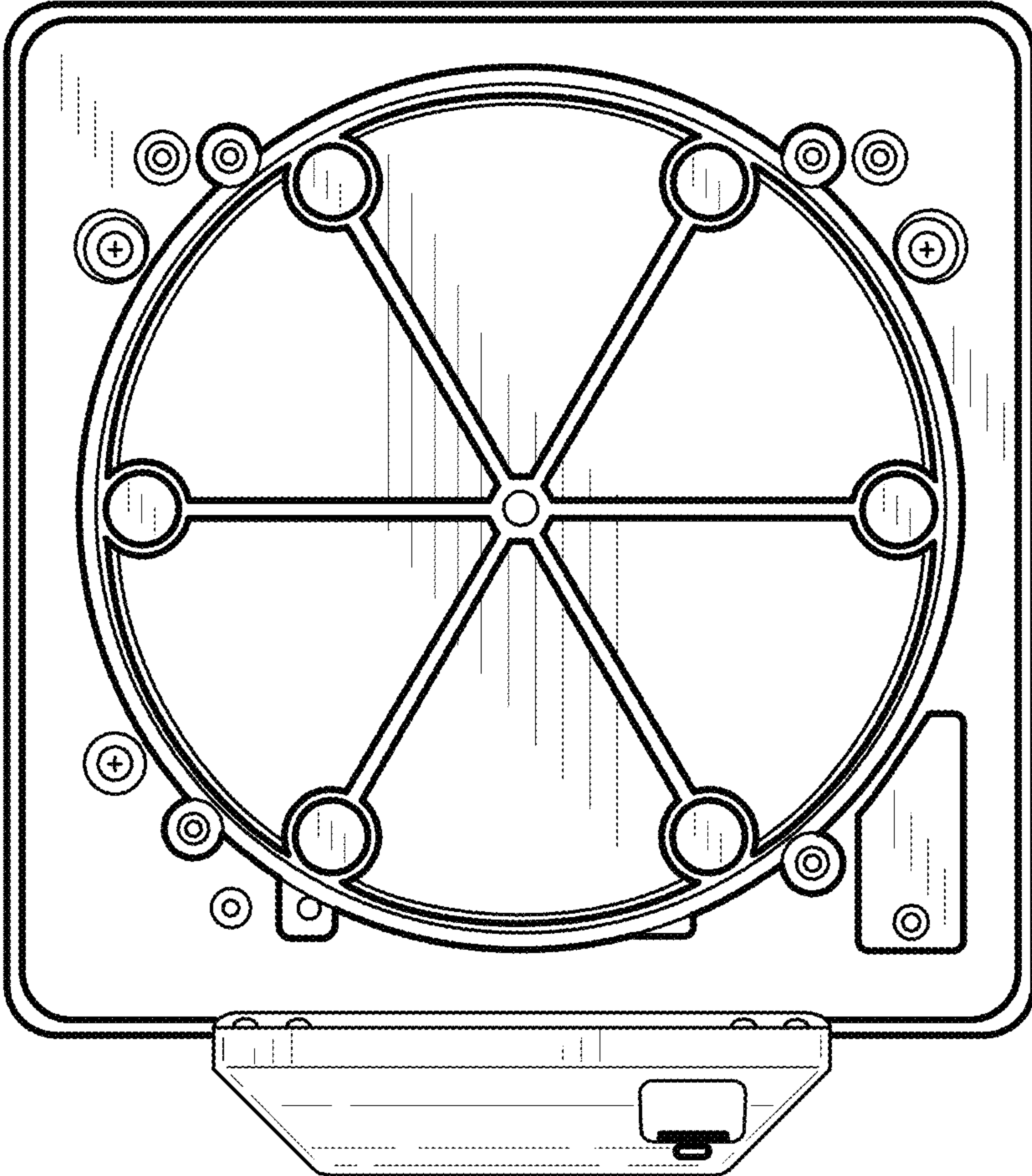


FIG. 3

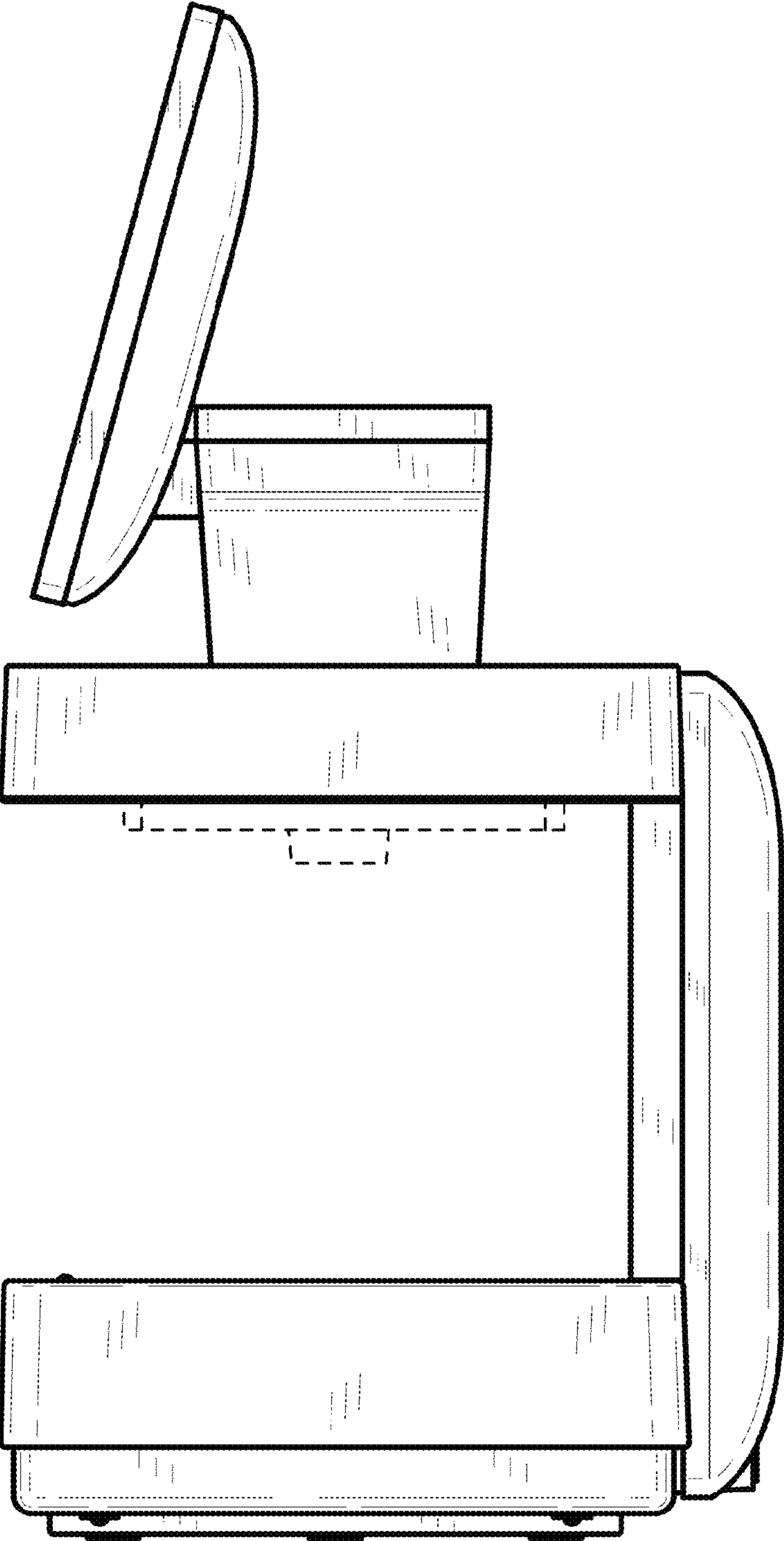


FIG. 4

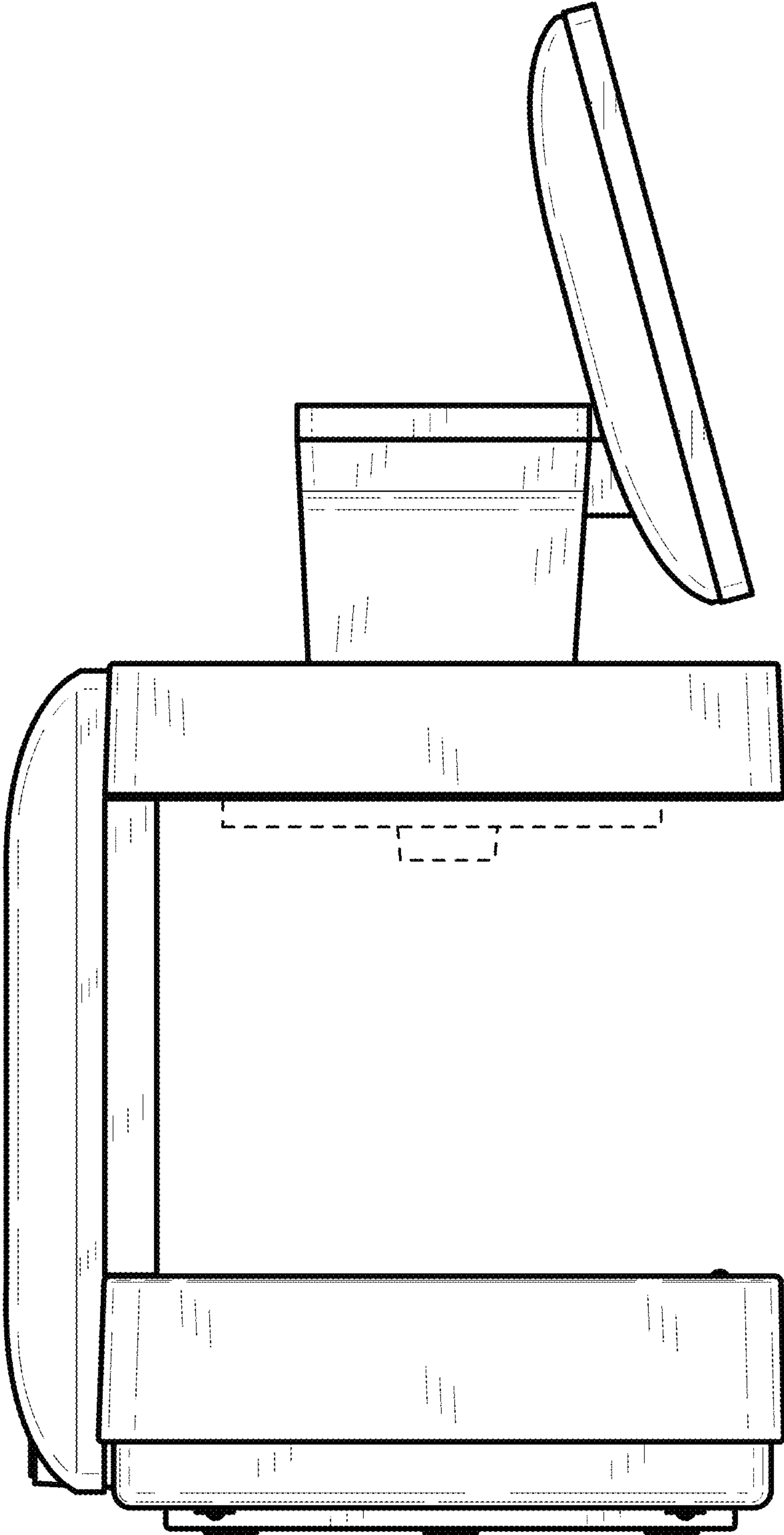


FIG. 5

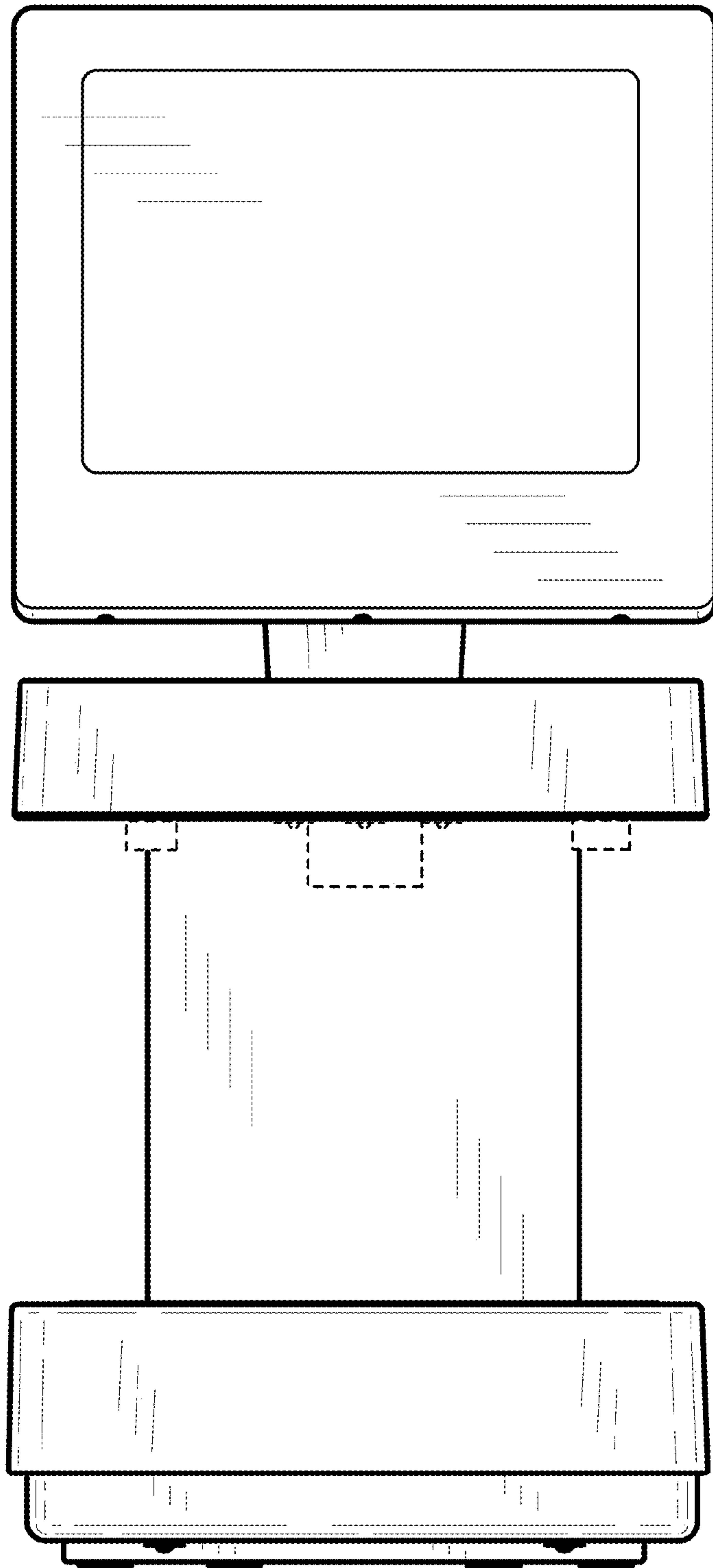


FIG. 6

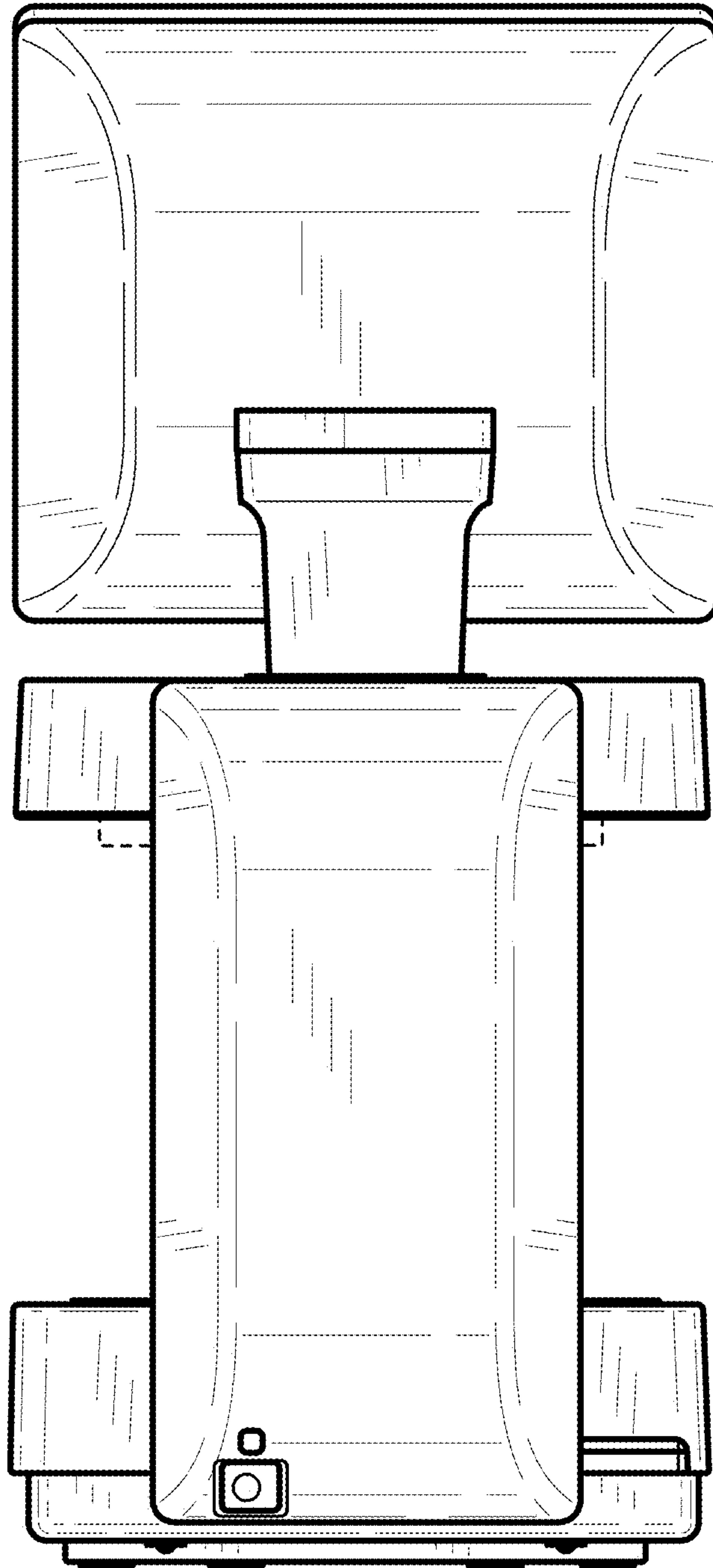


FIG. 7

