



US00D682904S

(12) **United States Design Patent**
Salimnejad et al.

(10) **Patent No.:** **US D682,904 S**
(45) **Date of Patent:** **** May 21, 2013**

- (54) **PANORAMIC OPTICAL DEVICE**
- (75) Inventors: **Zari Salimnejad**, Yardley, PA (US);
Michael Rondinelli, Canonsburg, PA (US)
- (73) Assignee: **EyeSee360, Inc.**, Pittsburgh, PA (US)
- (**) Term: **14 Years**
- (21) Appl. No.: **29/416,935**
- (22) Filed: **Mar. 28, 2012**
- (51) **LOC (9) Cl.** **16-06**
- (52) **U.S. Cl.**
USPC **D16/132**
- (58) **Field of Classification Search** D16/130,
D16/132; 359/399, 402, 403, 406, 416, 417;
353/1; D21/403, 483; 348/335; 446/219
See application file for complete search history.

| | | | | |
|----------------|---------|---------------|-------|---------|
| 4,887,893 A * | 12/1989 | Dahlgren | | 359/857 |
| 5,469,236 A * | 11/1995 | Roessel | | 396/432 |
| D374,879 S * | 10/1996 | Kung | | D16/132 |
| 5,627,690 A * | 5/1997 | Caplan et al. | | 359/362 |
| D391,278 S * | 2/1998 | Kung | | D16/132 |
| 5,886,839 A * | 3/1999 | Arnone et al. | | 359/857 |
| 5,943,163 A * | 8/1999 | Tartaglia | | 359/351 |
| D460,771 S * | 7/2002 | Kung | | D16/130 |
| 6,644,819 B2 * | 11/2003 | Nelson | | 359/616 |

* cited by examiner

Primary Examiner — Paula Greene

(74) *Attorney, Agent, or Firm* — Alan G. Towner, Esq.;
Pietragallo Gordon Alfano Bosick & Raspanti, LLP

(57) **CLAIM**

The ornamental design for a panoramic optical device, as shown and described.

DESCRIPTION

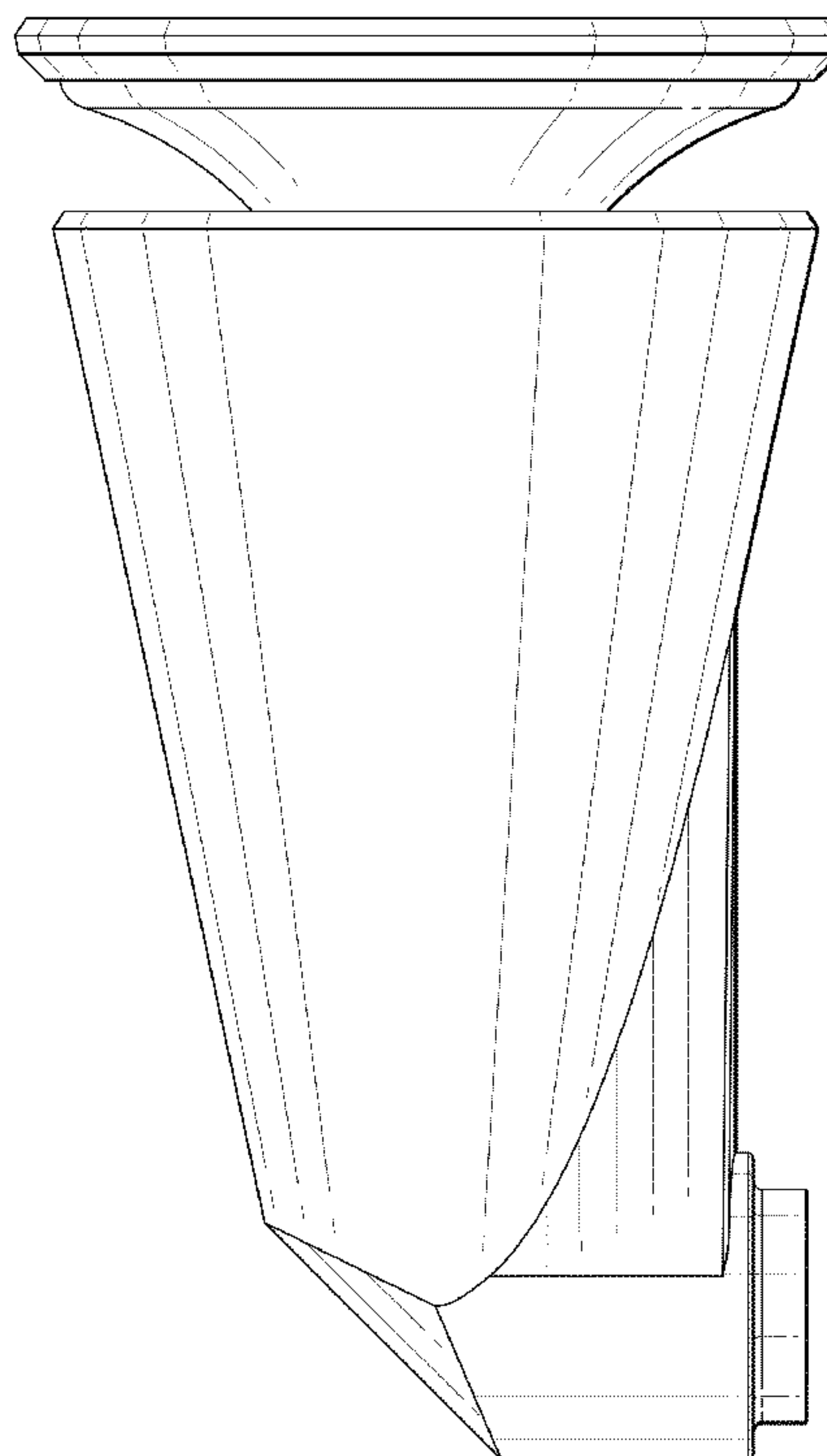
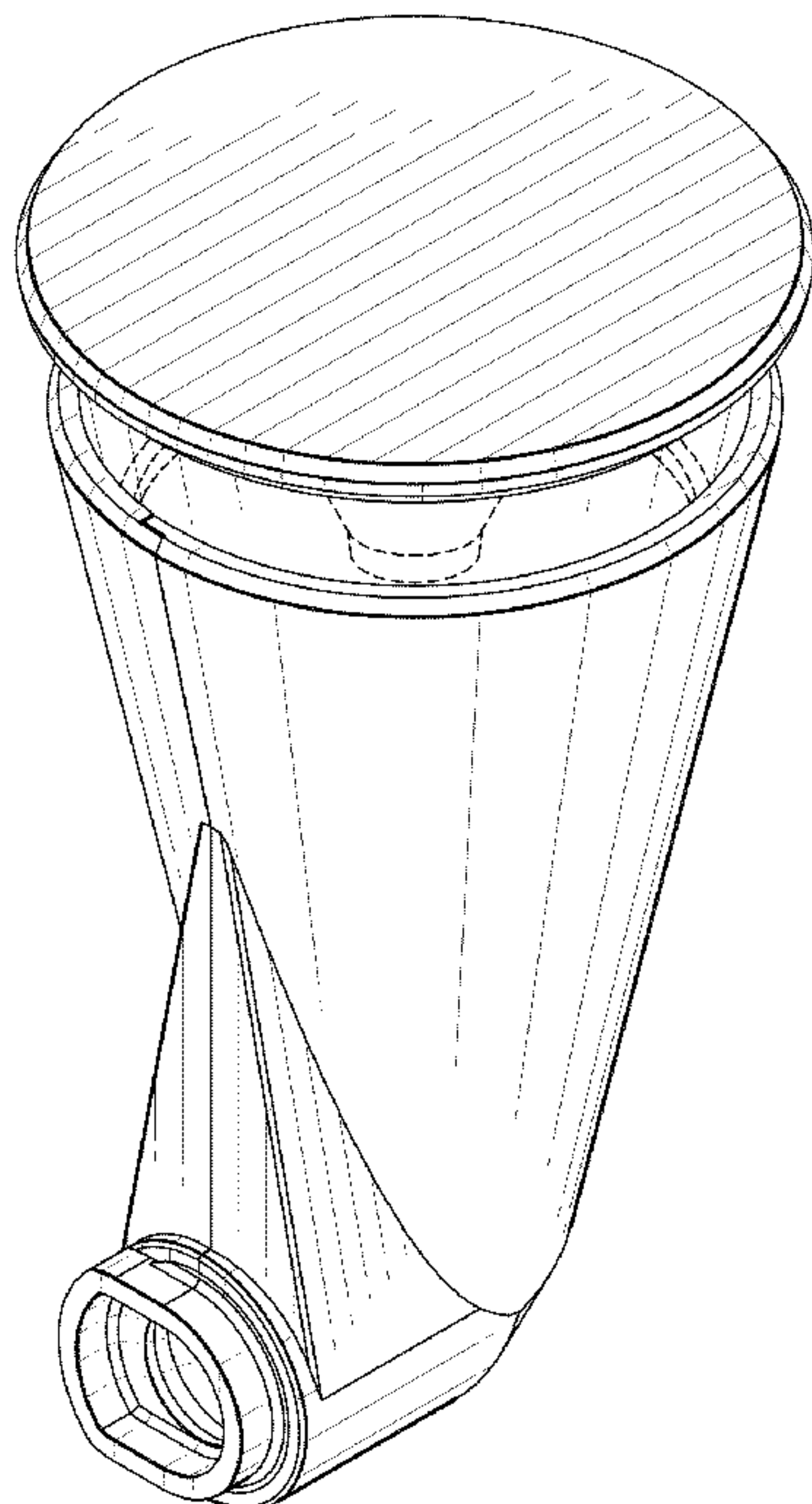
FIG. 1 is an isometric view of a panoramic optical devices showing our new design;
 FIG. 2 is a front view thereof;
 FIG. 3 is a back view thereof;
 FIG. 4 is a right side view thereof;
 FIG. 5 is a left side view thereof;
 FIG. 6 is a top view thereof; and,
 FIG. 7 is a bottom view thereof.
 The broken lines shown in FIG. 1 form no art of the claimed design.

1 Claim, 6 Drawing Sheets

(56) **References Cited**

U.S. PATENT DOCUMENTS

| | | | | |
|---------------|---------|---------------|-------|---------|
| 778,694 A * | 12/1904 | Mustin | | 359/402 |
| 1,486,231 A * | 3/1924 | Cox | | 396/386 |
| 1,837,208 A * | 12/1931 | Cover | | 359/402 |
| 2,364,670 A * | 12/1944 | Stamy et al. | | 359/833 |
| 2,454,577 A * | 11/1948 | Smith | | 359/616 |
| 2,512,792 A * | 6/1950 | Delaney | | 359/402 |
| 2,845,842 A * | 8/1958 | Ludwig et al. | | 359/363 |
| 3,551,032 A * | 12/1970 | Dunn, Jr. | | 359/857 |
| 3,664,747 A * | 5/1972 | Ritchie | | 356/140 |
| D245,954 S * | 10/1977 | Tosaw | | D6/335 |
| 4,195,922 A * | 4/1980 | Hajnal | | 348/335 |
| 4,235,541 A * | 11/1980 | Jamel | | 396/432 |



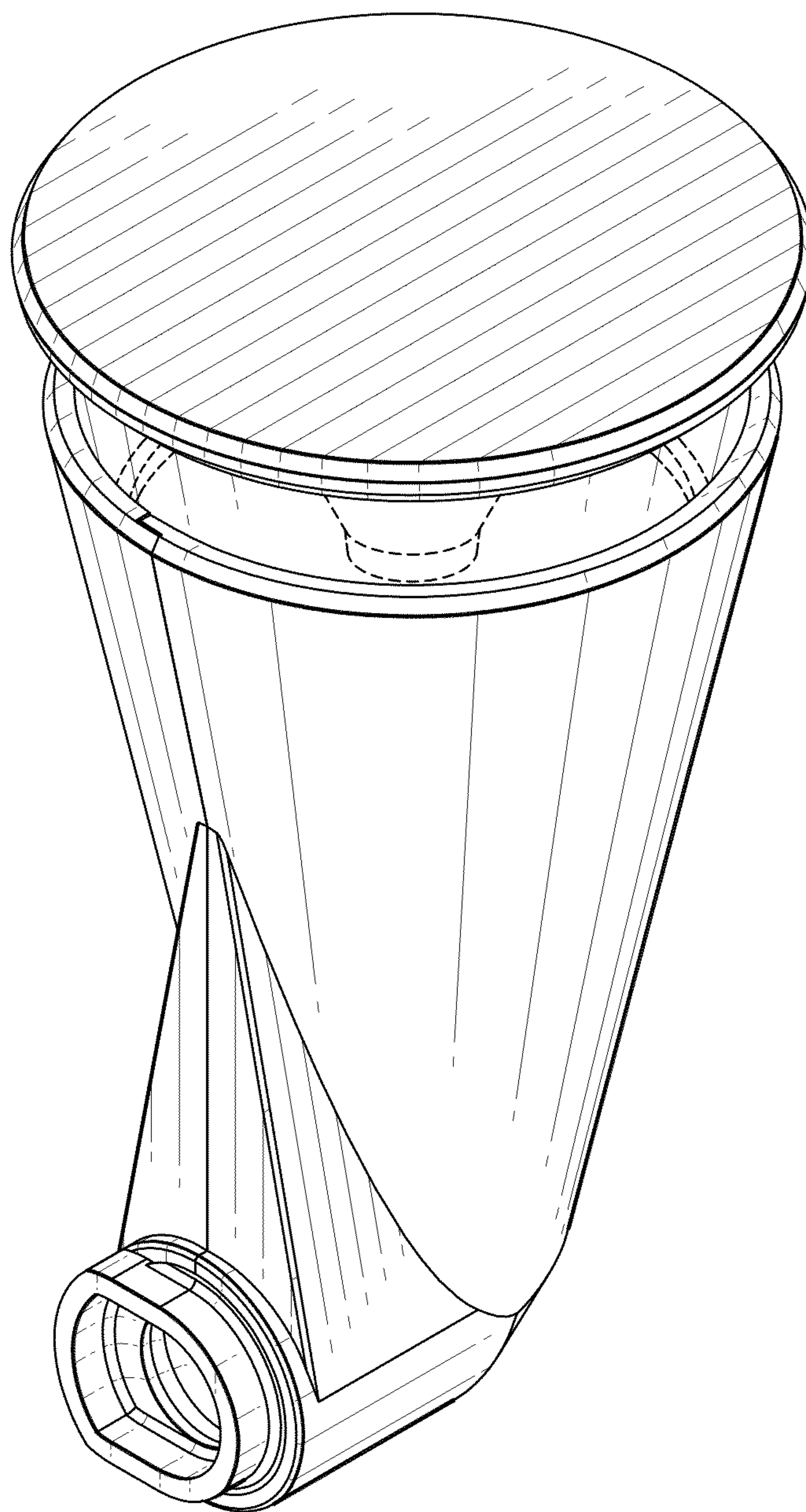


FIG. 1

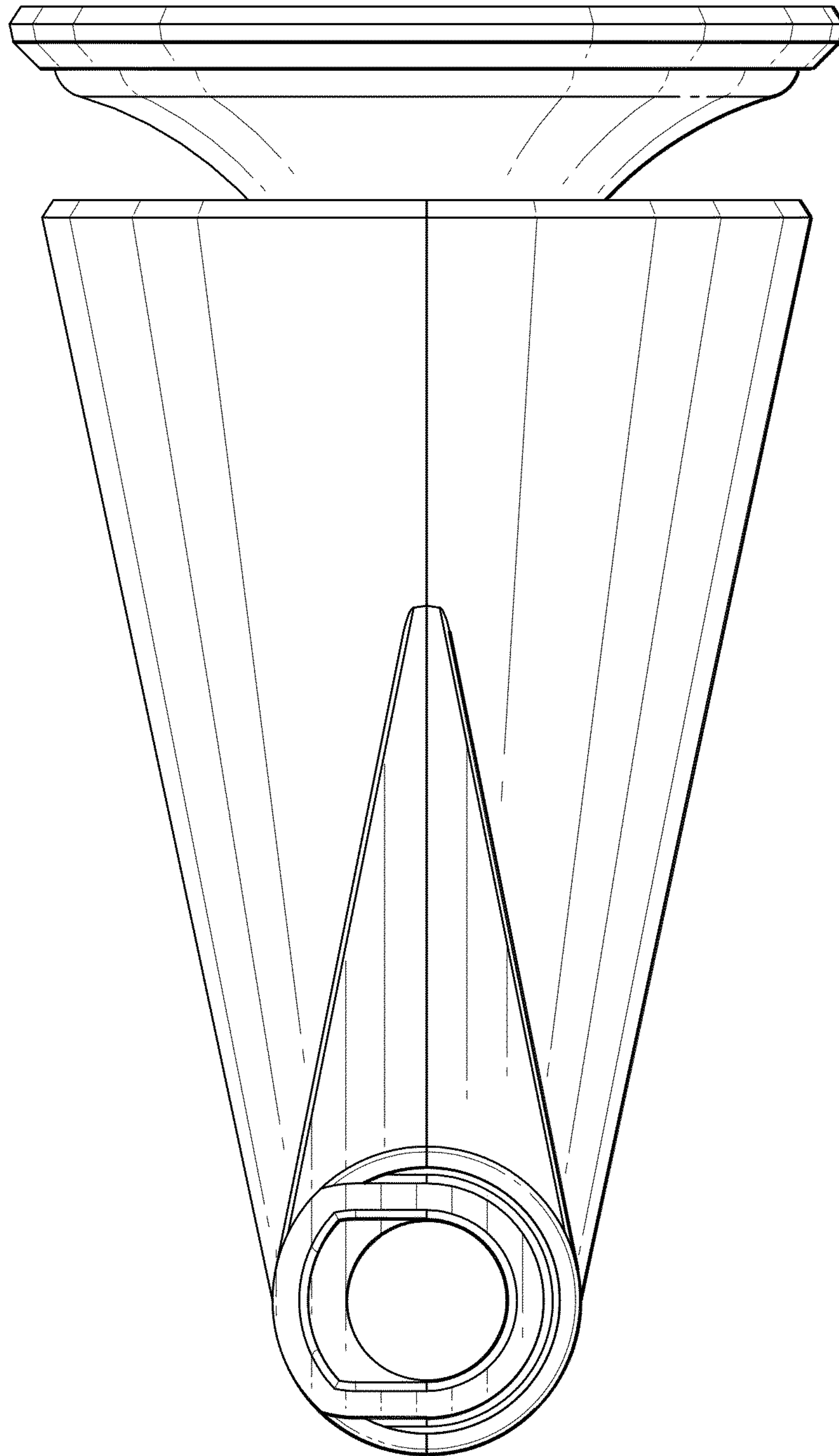


FIG. 2

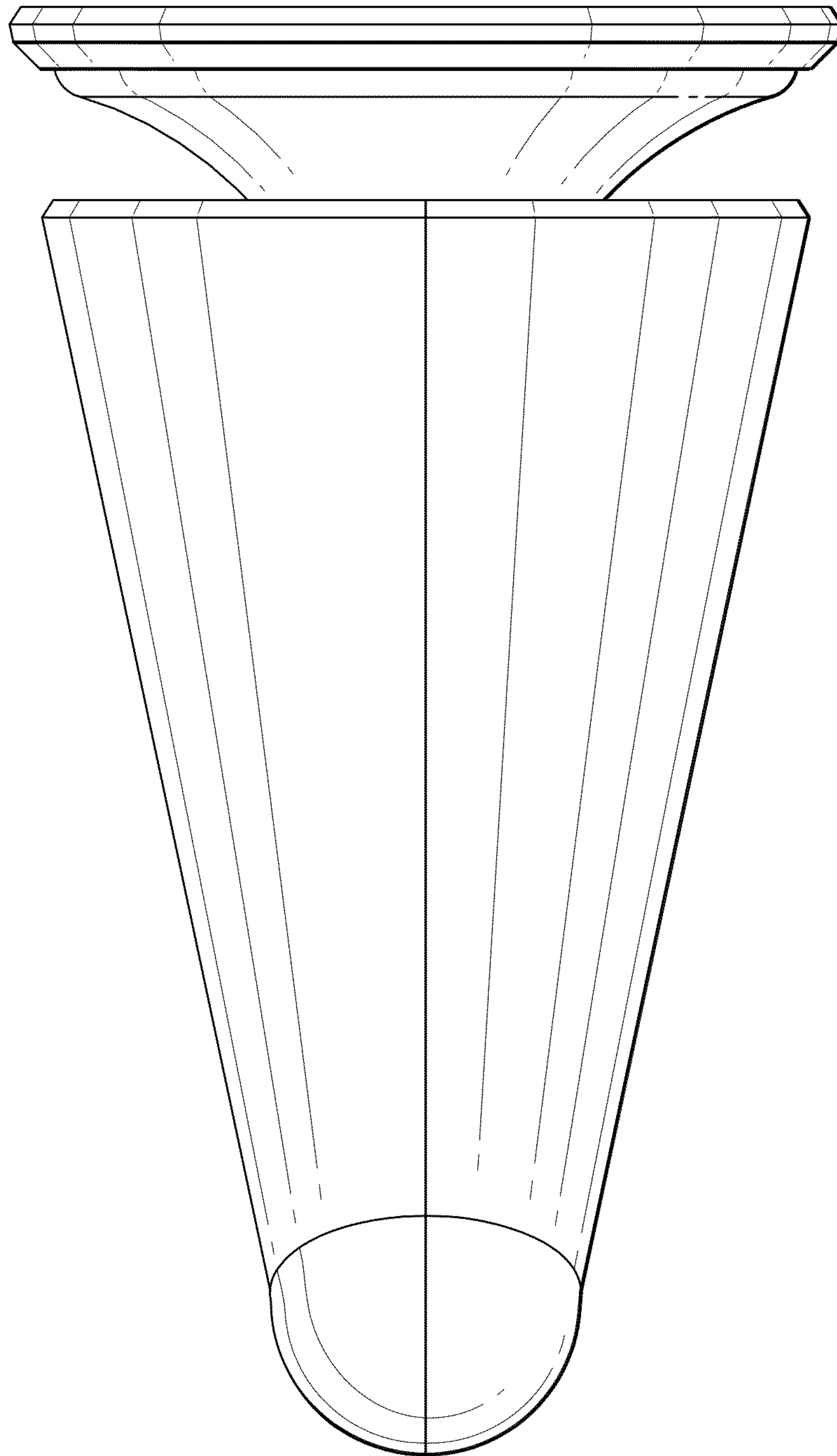


FIG. 3

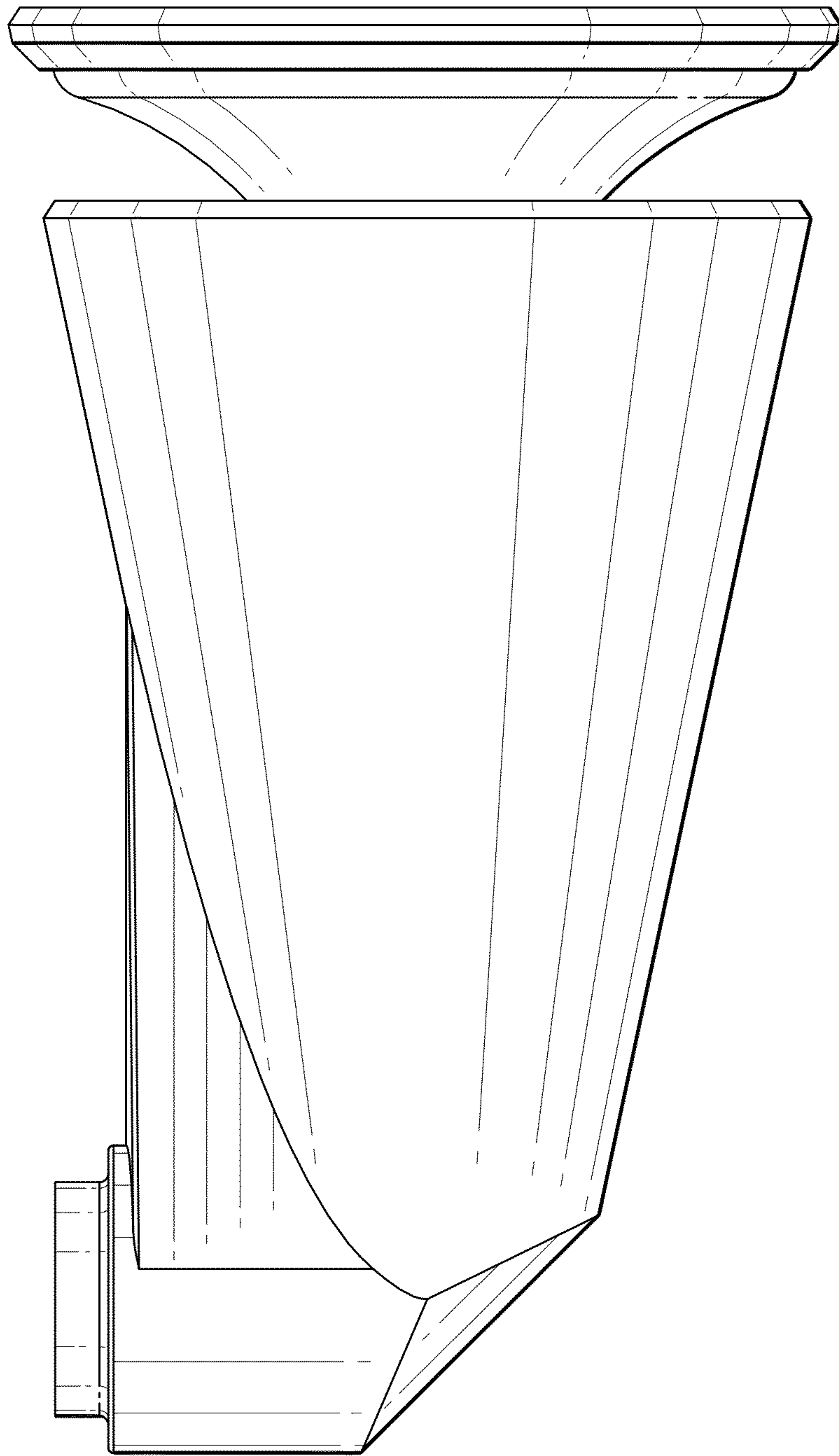


FIG. 4

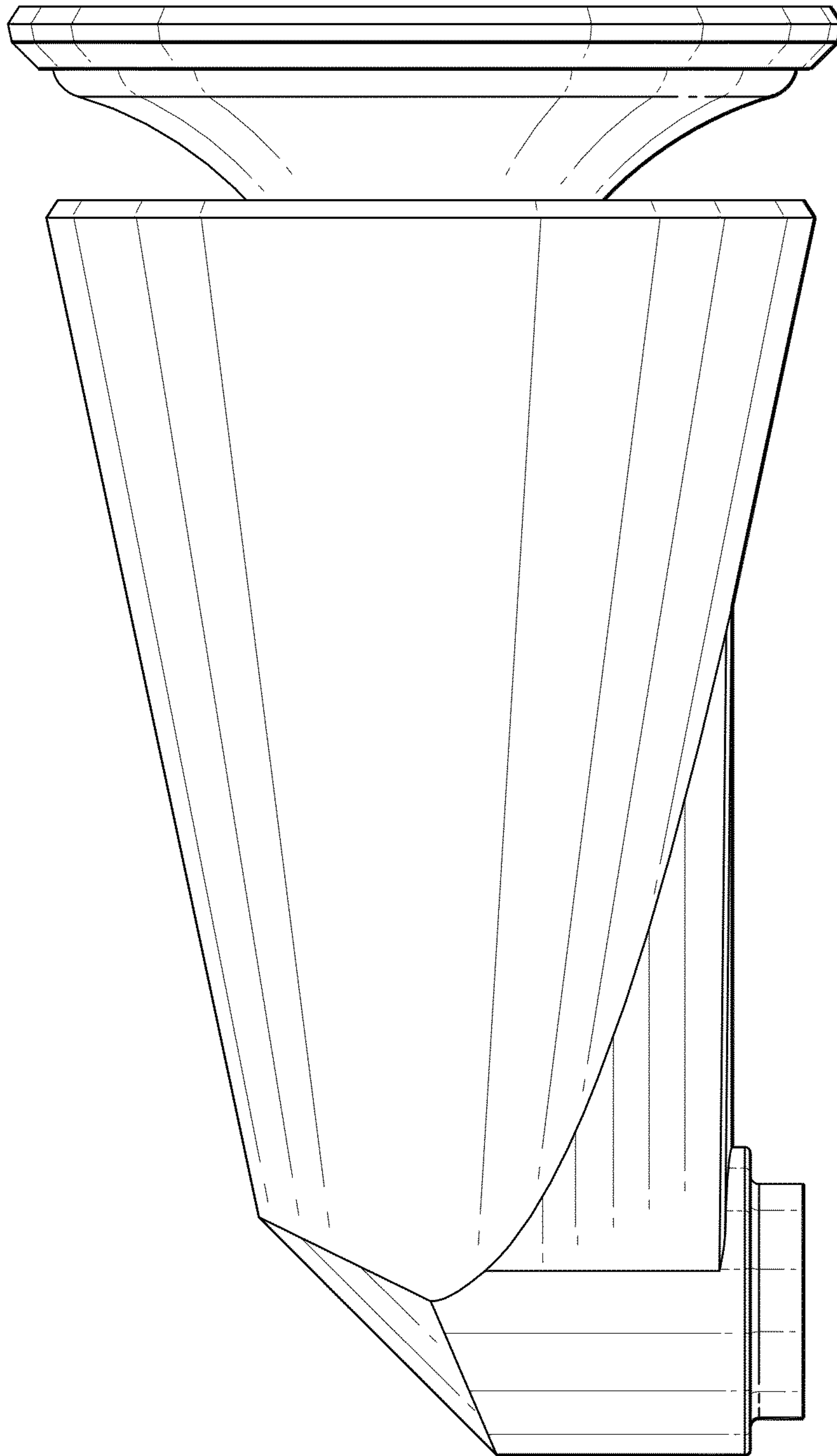


FIG. 5

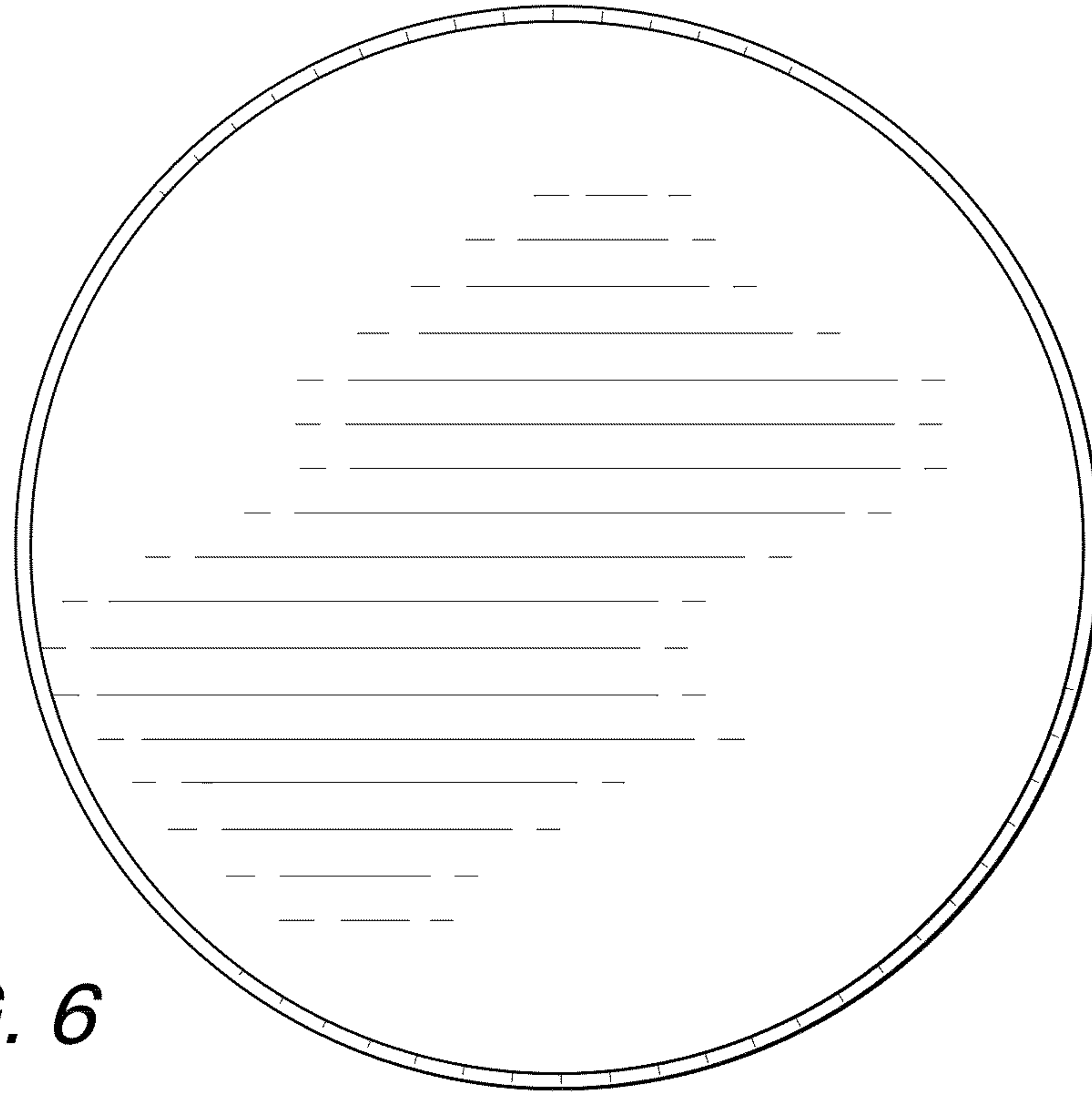


FIG. 6

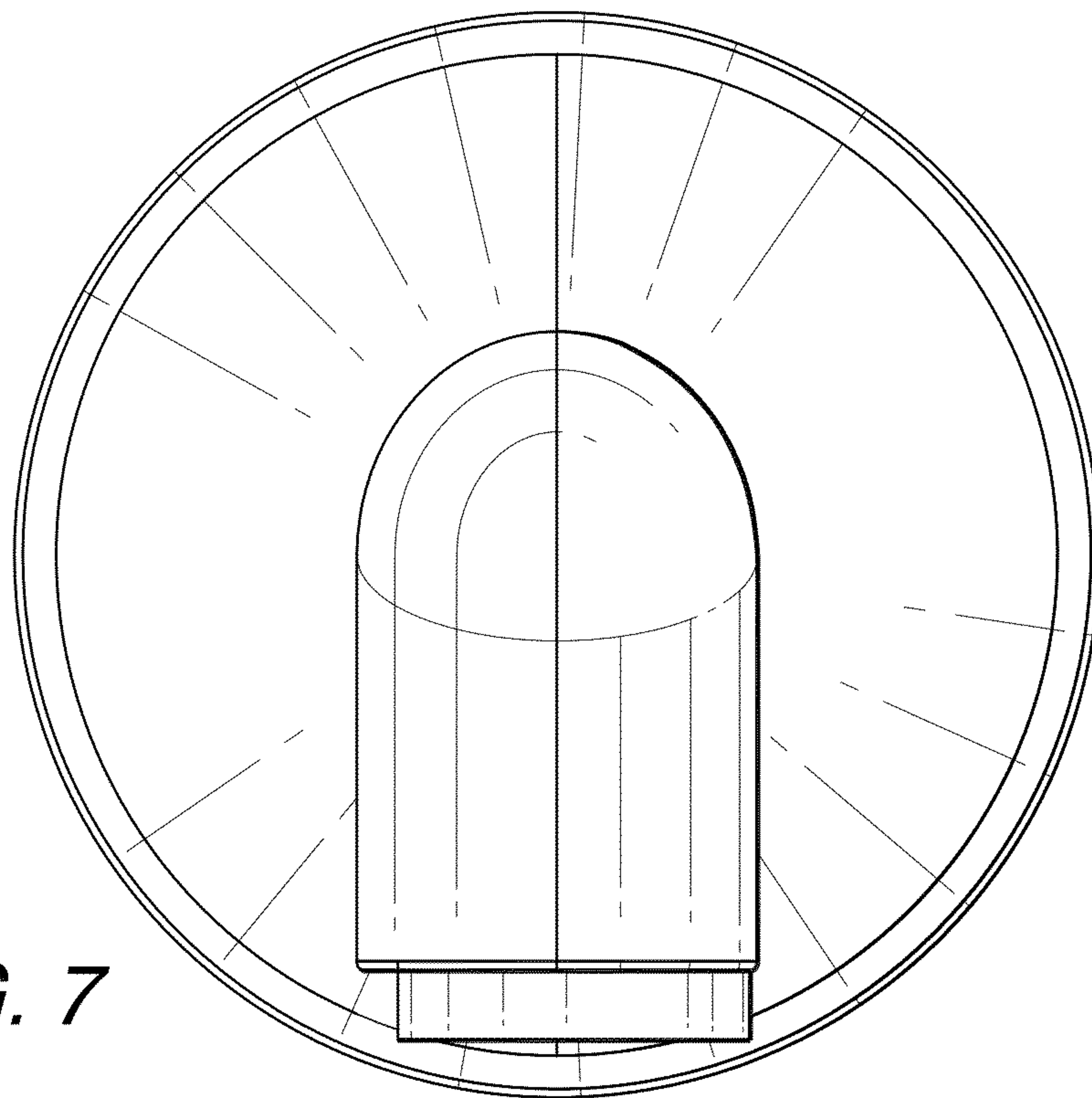


FIG. 7