



US00D682902S

(12) **United States Design Patent**  
**Tanaka et al.**

(10) **Patent No.:** **US D682,902 S**

(45) **Date of Patent:** **\*\* May 21, 2013**

(54) **REDUCTION GEAR**

(75) Inventors: **Satoshi Tanaka**, Tsu (JP); **Daisuke Matsui**, Tsu (JP); **Yusuke Kataoka**, Tsu (JP)

(73) Assignee: **Nabtesco Corporation**, Tokyo (JP)

(\*\*) Term: **14 Years**

(21) Appl. No.: **29/407,310**

(22) Filed: **Nov. 28, 2011**

(30) **Foreign Application Priority Data**

Aug. 29, 2011 (JP) ..... 2011-019458

(51) **LOC (9) Cl.** ..... **15-99**

(52) **U.S. Cl.**  
USPC ..... **D15/149**

(58) **Field of Classification Search** ..... D15/148,  
D15/149; 74/464; 395/395, 395.411, 464,  
395/640; 427/249.19; 428/408; 475/83,  
475/331, 344, 901

See application file for complete search history.

(56) **References Cited**

U.S. PATENT DOCUMENTS

D269,014 S *	5/1983	Tumidajewicz et al. ....	D15/149
D479,541 S *	9/2003	Lannoch .....	D15/148
7,182,709 B2 *	2/2007	Christ et al. ....	475/348
D598,938 S *	8/2009	Mijno .....	D15/148
D618,262 S *	6/2010	Siegfried .....	D15/148
D619,631 S *	7/2010	Otsuka .....	D15/149

2004/0166986 A1 *	8/2004	Bayer et al. ....	475/331
2005/0016321 A1	1/2005	Watanabe et al.	
2007/0078037 A1 *	4/2007	Chang .....	475/331
2007/0179005 A1	8/2007	Watanabe et al.	
2012/0046142 A1 *	2/2012	Miyawaki et al. ....	475/331
2012/0129641 A1 *	5/2012	Palfai et al. ....	475/149

FOREIGN PATENT DOCUMENTS

JP	2004-301273	10/2004
JP	2010-065542	3/2010
JP	2010-071167	4/2010

\* cited by examiner

*Primary Examiner* — Patricia Palasik

(74) *Attorney, Agent, or Firm* — J-TEK Law PLLC; Jeffrey D. Tekanic

(57) **CLAIM**

The ornamental design for the reduction gear, as shown and described.

**DESCRIPTION**

FIG. 1 is a front perspective view of our new design for a reduction gear;

FIG. 2 is a rear perspective view of FIG. 1;

FIG. 3 is a left side elevation view of FIG. 1;

FIG. 4 is a right side elevation view of FIG. 1;

FIG. 5 is a front side elevation view of FIG. 1;

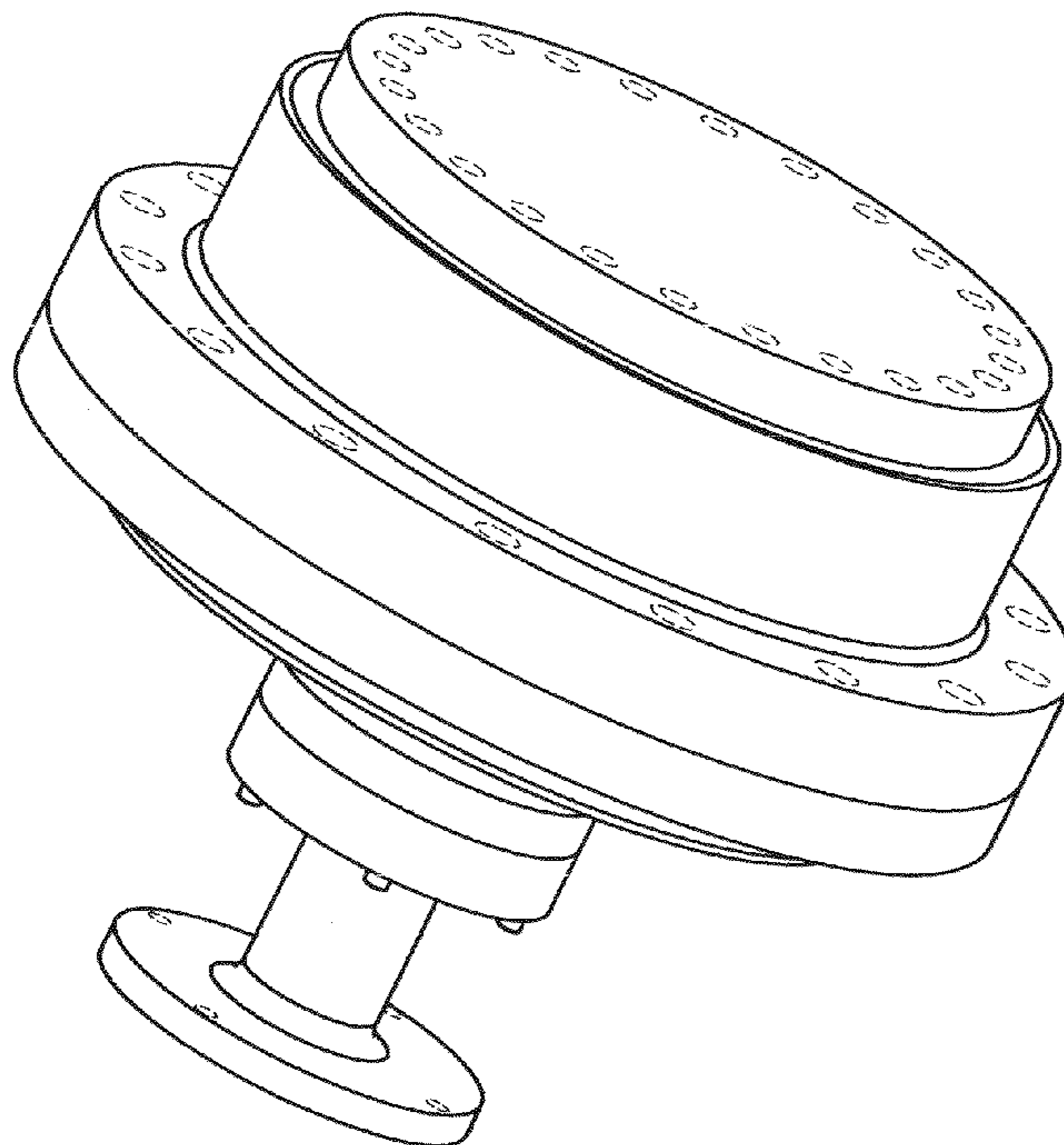
FIG. 6 is rear side elevation view of FIG. 1;

FIG. 7 is a top plan view of FIG. 1; and,

FIG. 8 is a bottom plan view of FIG. 1.

The broken lines in the drawings depict unclaimed environmental subject matter.

**1 Claim, 8 Drawing Sheets**



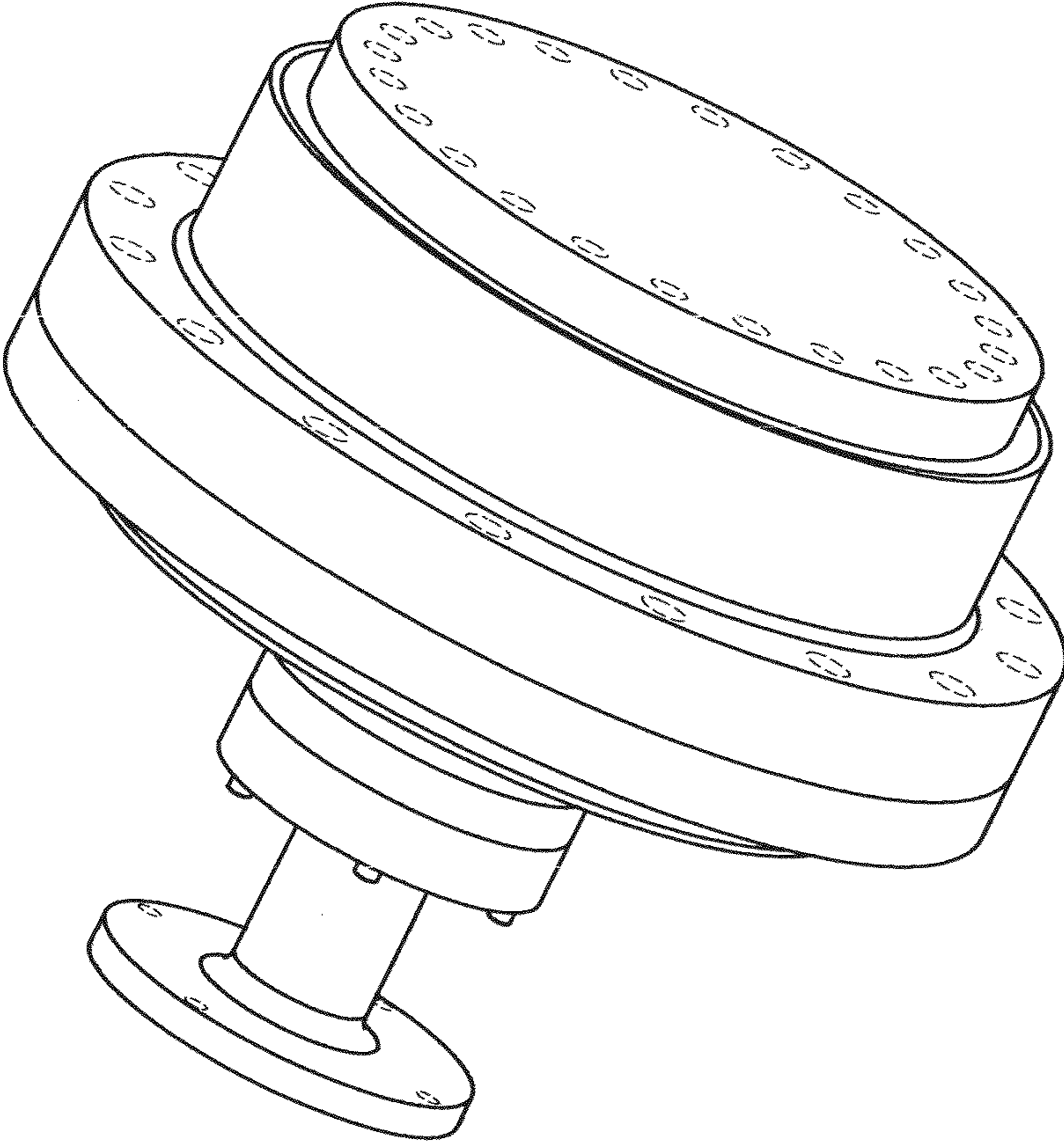


FIG. 1

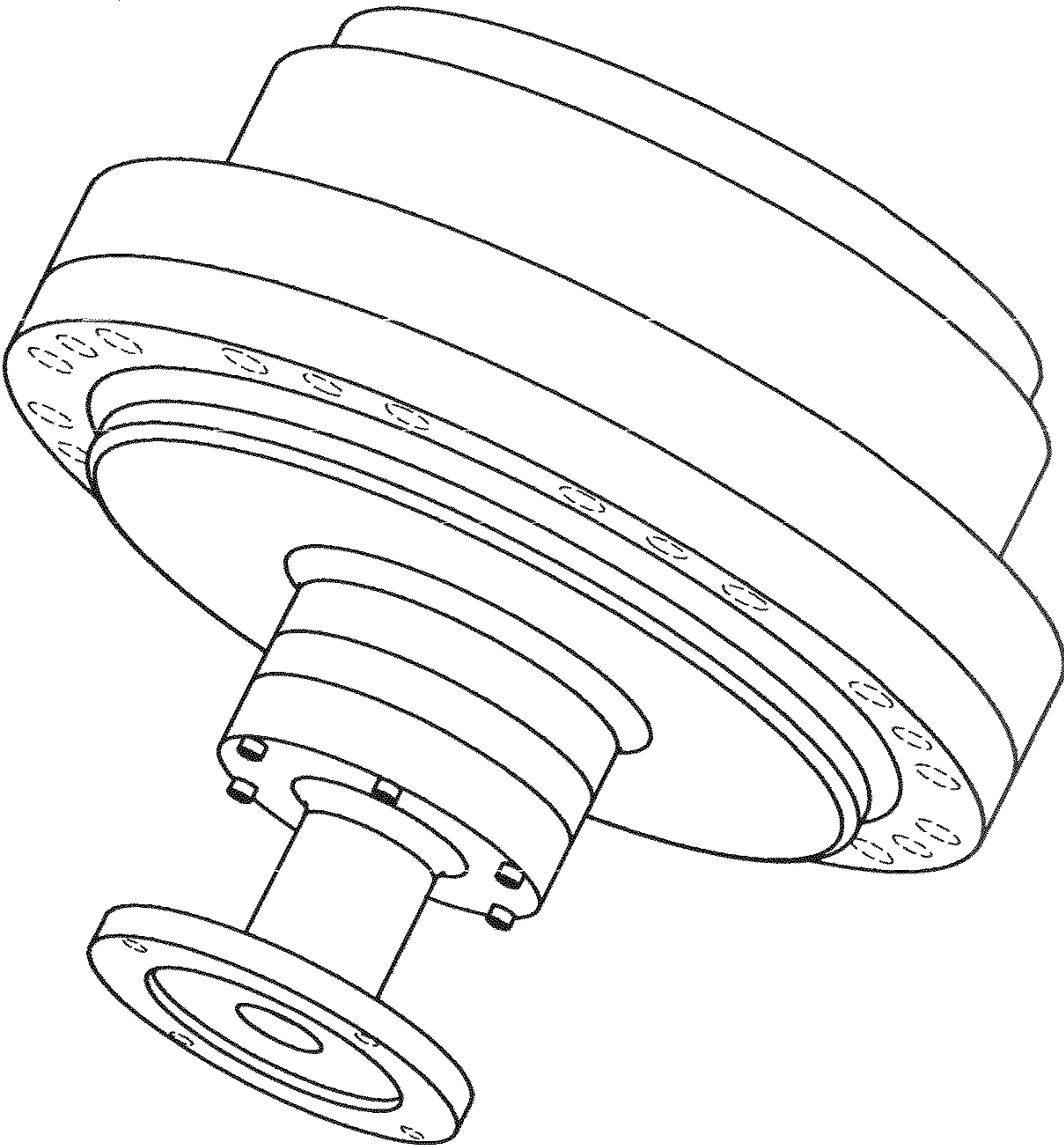


FIG. 2

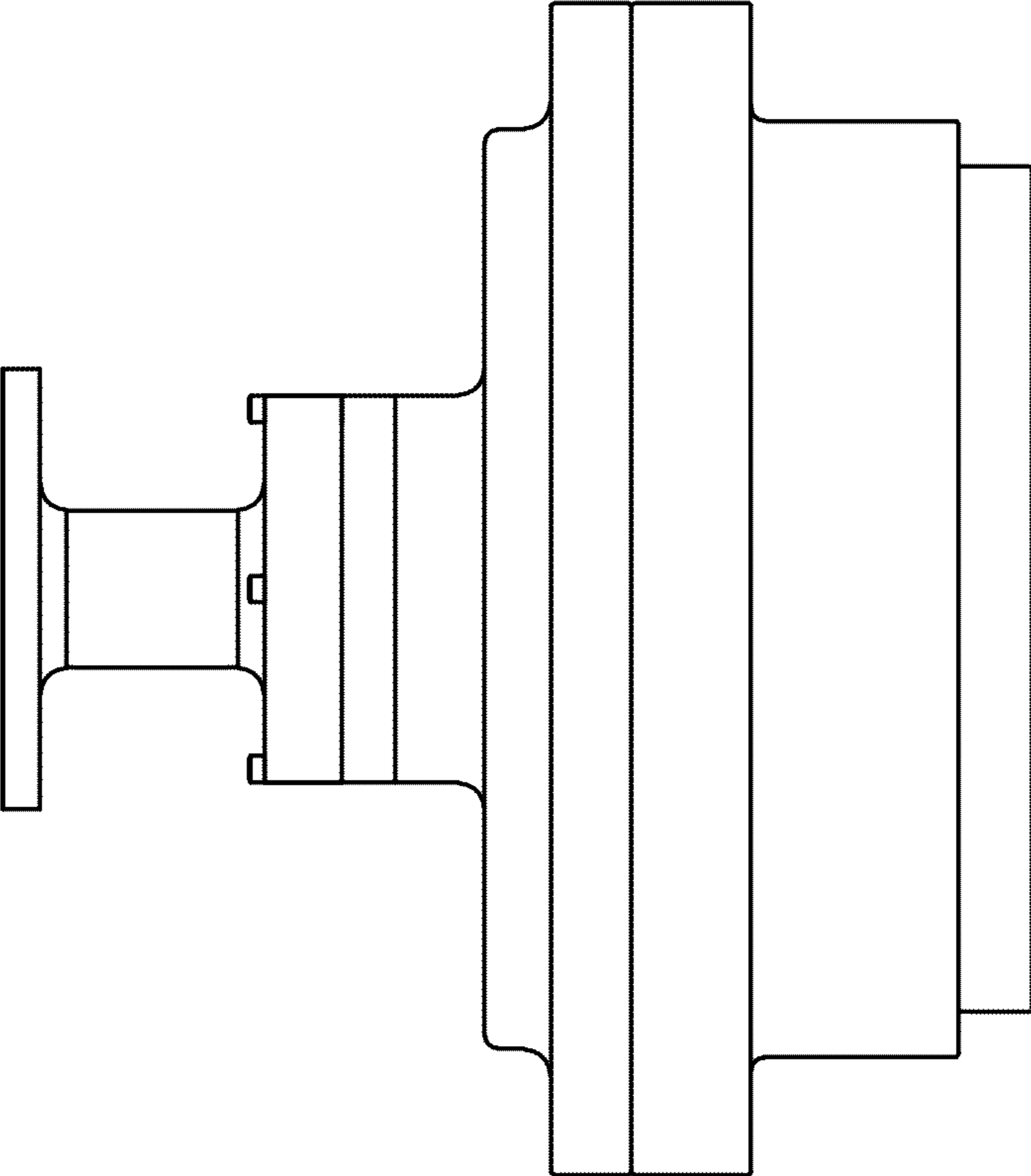


FIG. 3

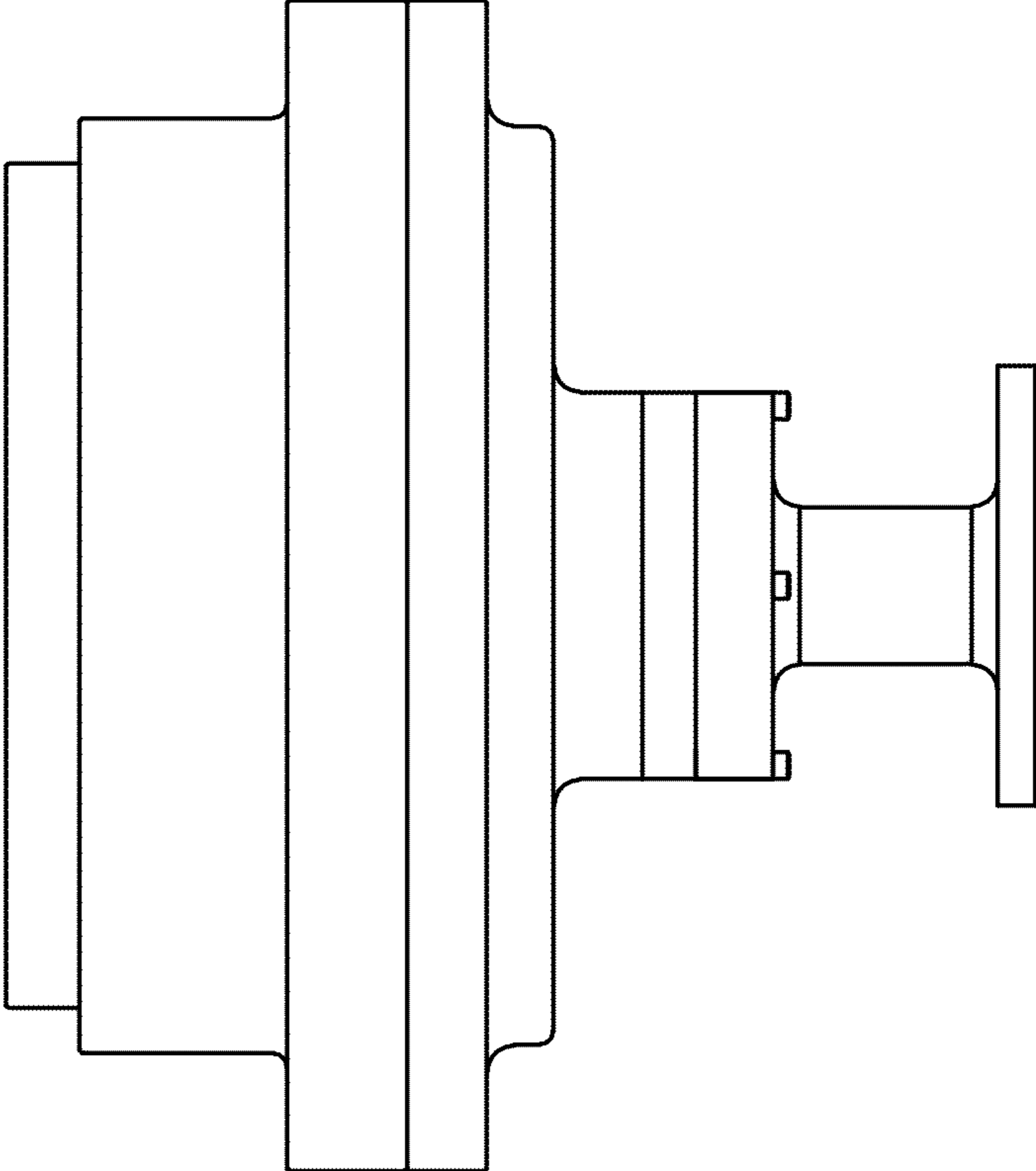


FIG. 4



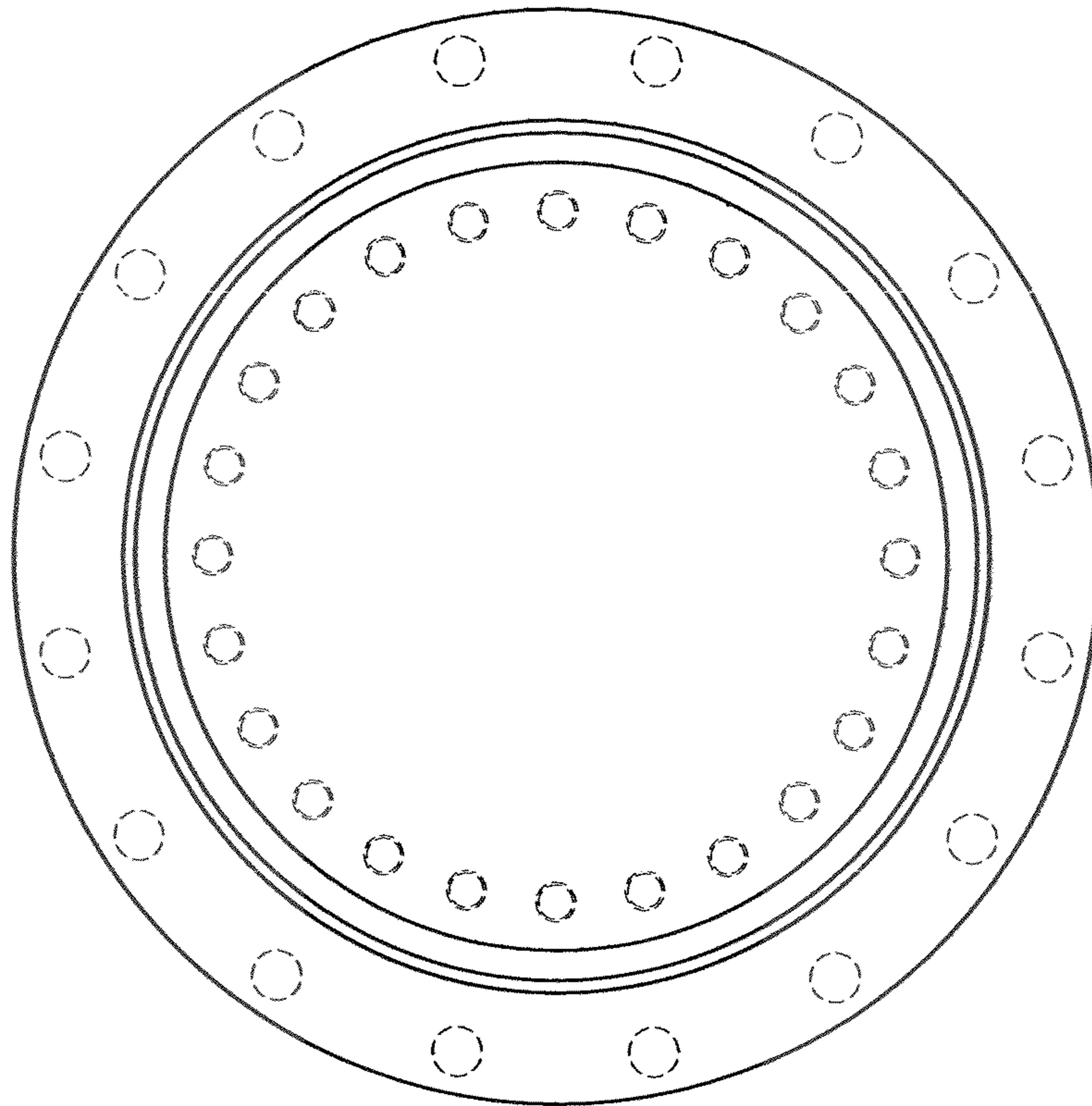


FIG. 5

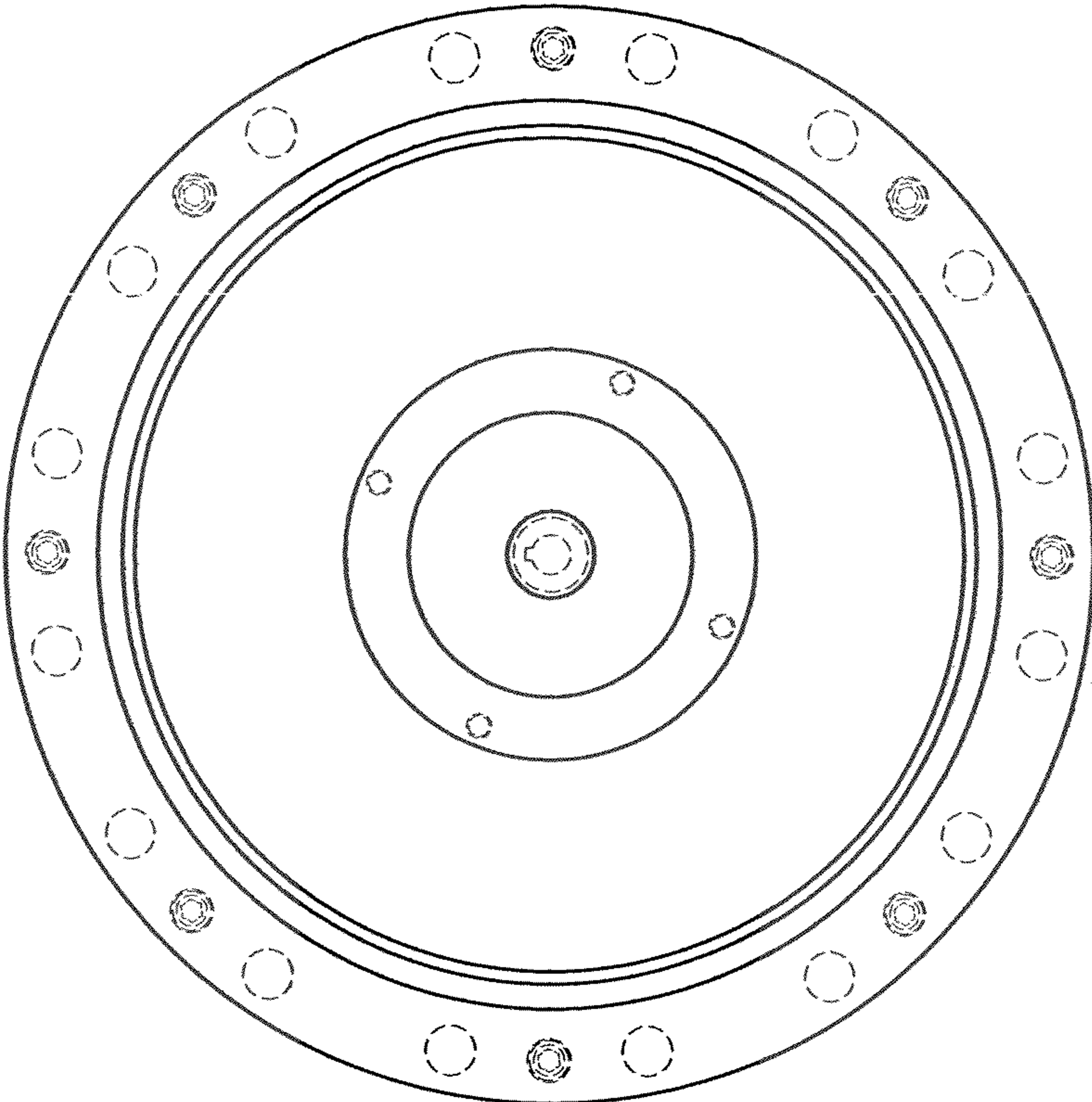


FIG. 6

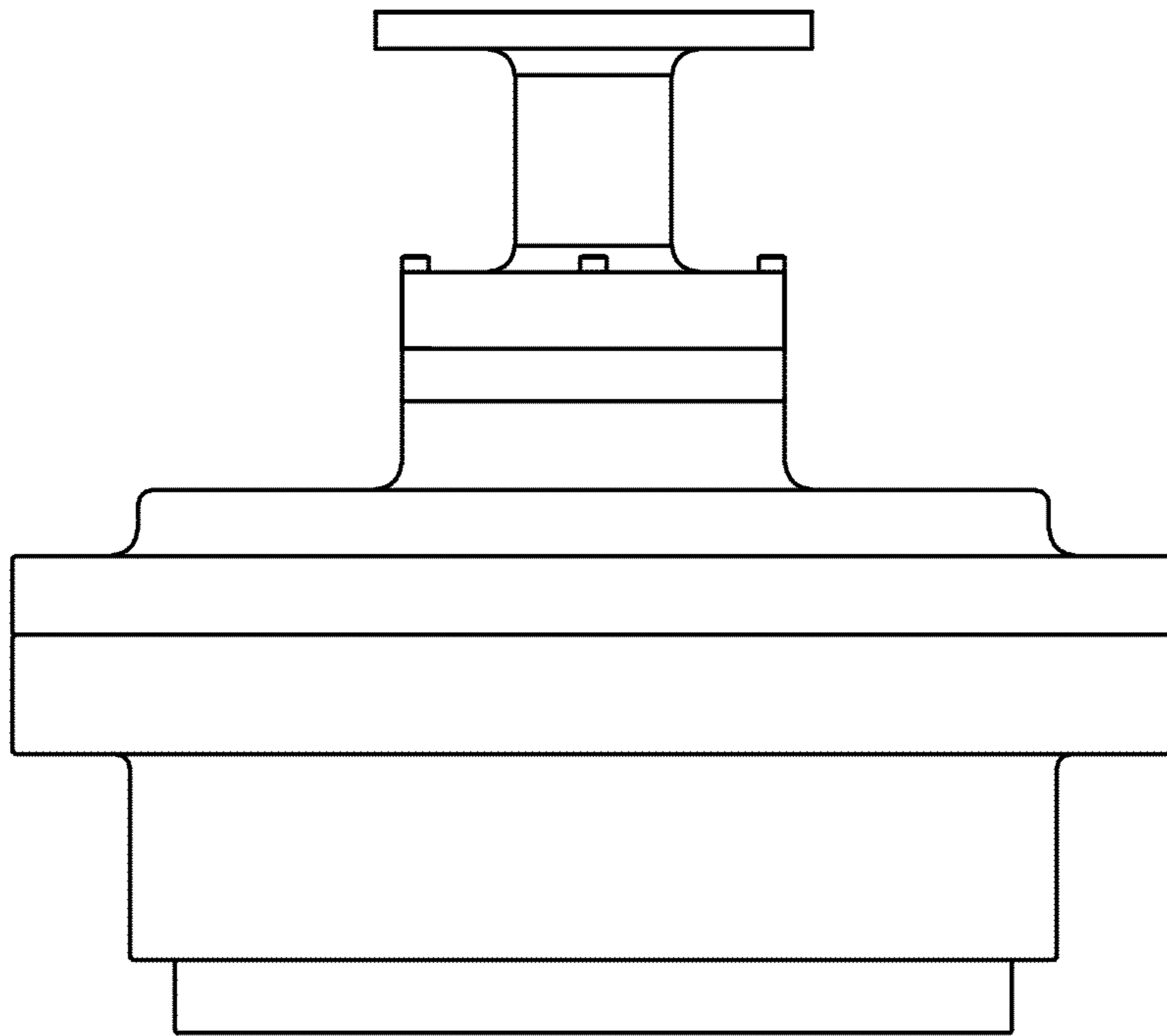


FIG. 7



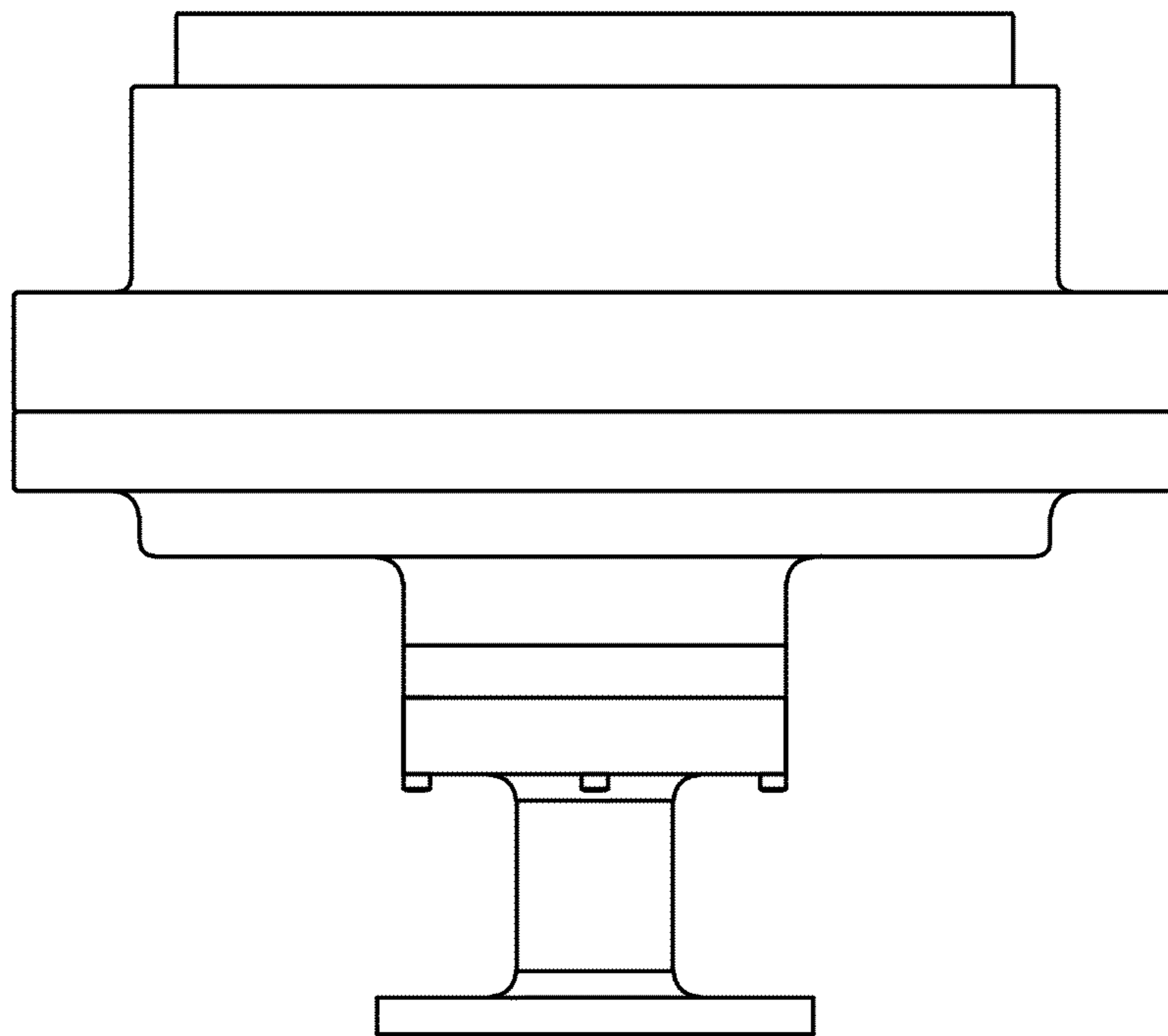


FIG. 8