



US00D682901S

(12) **United States Design Patent**
Peschel

(10) **Patent No.:** **US D682,901 S**

(45) **Date of Patent:** **** May 21, 2013**

(54) **PNEUMATIC CYLINDER**

(71) Applicant: **Jörg Peschel**, Esslingen (DE)

(72) Inventor: **Jörg Peschel**, Esslingen (DE)

(73) Assignee: **Festo AG & Co. KG**, Esslingen (DE)

(**) Term: **14 Years**

(21) Appl. No.: **29/433,123**

(22) Filed: **Sep. 26, 2012**

(30) **Foreign Application Priority Data**

Apr. 2, 2012 (EM) 002018754-0003

(51) **LOC (9) Cl.** **15-09**

(52) **U.S. Cl.**
USPC **D15/143**

(58) **Field of Classification Search** D13/158,
D13/162, 184; D15/5, 7, 9, 143, 148, 149,
D15/199; 74/89.15, 411.5, 490.09; 297/14,
297/325, 327; 310/10, 12, 15, 20, 80, 300
See application file for complete search history.

(56) **References Cited**

U.S. PATENT DOCUMENTS

D370,683 S * 6/1996 Stahlman et al. D15/7
D378,214 S * 2/1997 Ikumi D15/143

D380,217 S * 6/1997 Jermeay et al. D15/5
6,427,576 B1 * 8/2002 Bock et al. 92/5 R
D480,405 S 10/2003 Kleffmann et al.
D500,258 S * 12/2004 Kita et al. D10/85
D572,282 S 7/2008 Yaegashi
D575,175 S 8/2008 Suzuki
D584,324 S 1/2009 Yaegashi
D636,799 S * 4/2011 Fukano et al. D15/143
D657,399 S * 4/2012 Nemoto D15/143
2011/0126703 A1 * 6/2011 Terasaki et al. 92/5 R

* cited by examiner

Primary Examiner — Patricia Palasik

(74) *Attorney, Agent, or Firm* — Hoffman & Baron, LLP

(57) **CLAIM**

The ornamental design for a pneumatic cylinder, as shown and described.

DESCRIPTION

FIG. 1 is a top perspective view of a pneumatic cylinder showing my new design;
FIG. 2 is a left side view thereof;
FIG. 3 is a right side view thereof;
FIG. 4 is a front view thereof;
FIG. 5 is a rear view thereof;
FIG. 6 is a top plan view thereof; and,
FIG. 7 is a bottom plan view thereof.

1 Claim, 7 Drawing Sheets

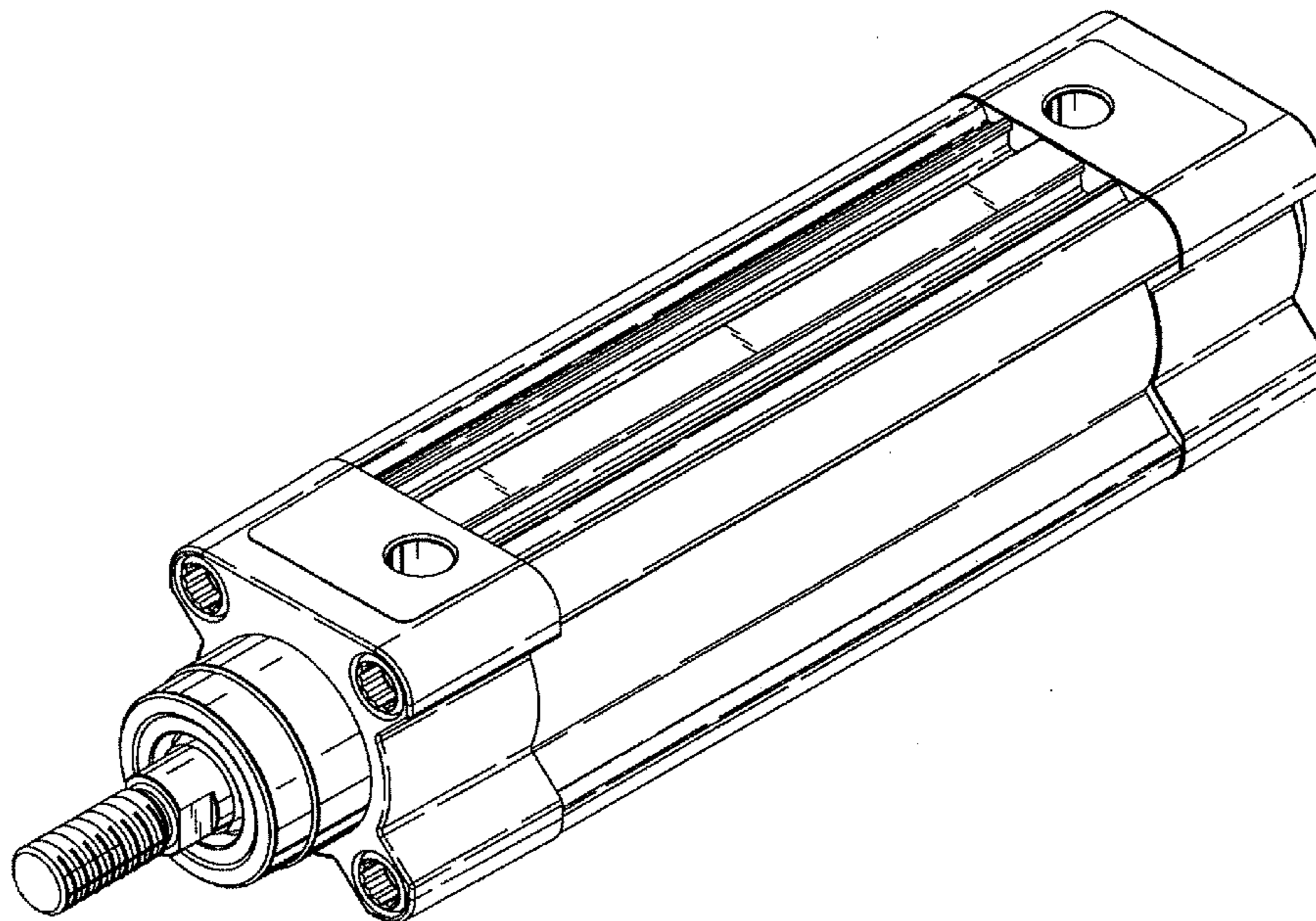


Fig. 1

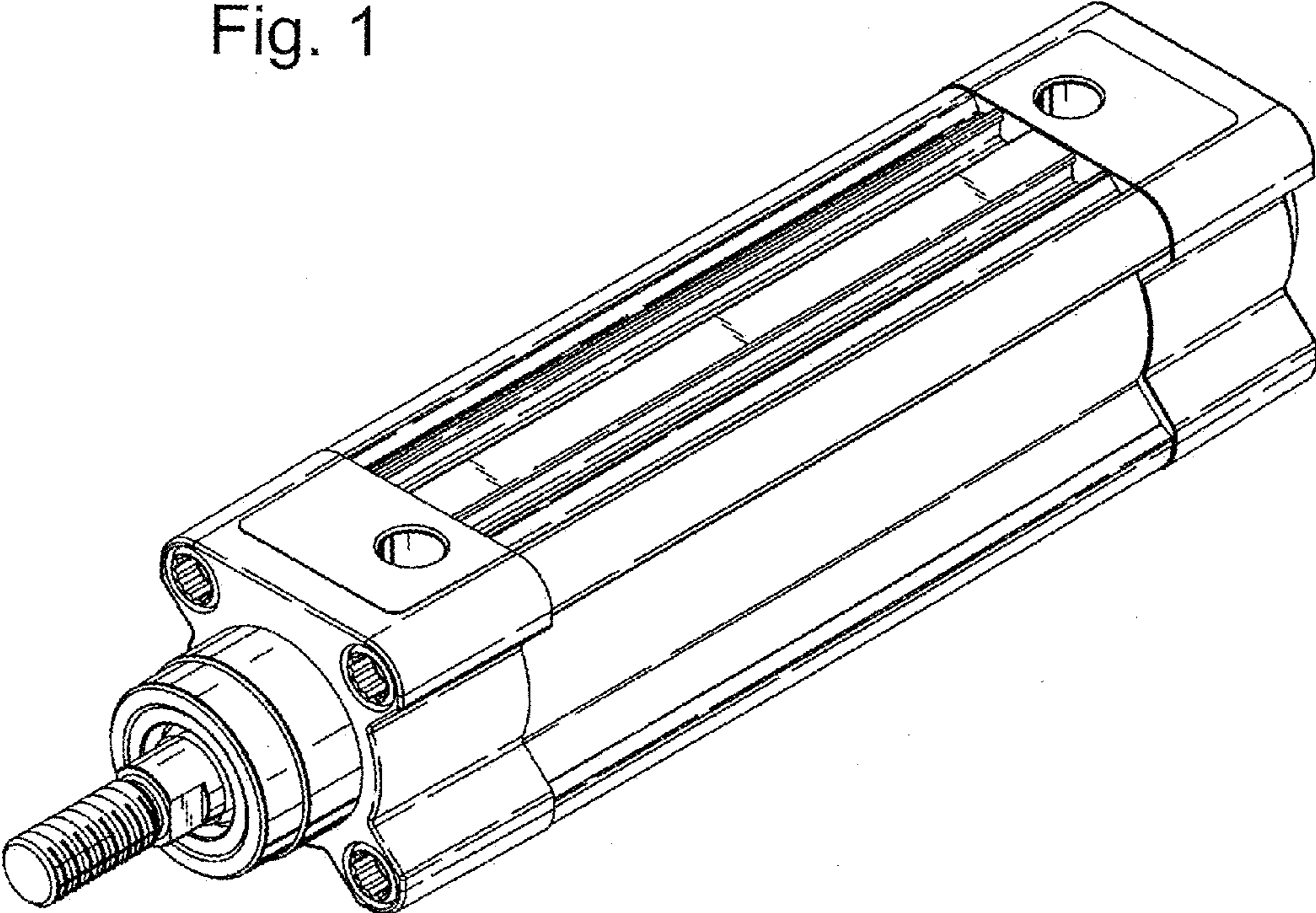


Fig. 2

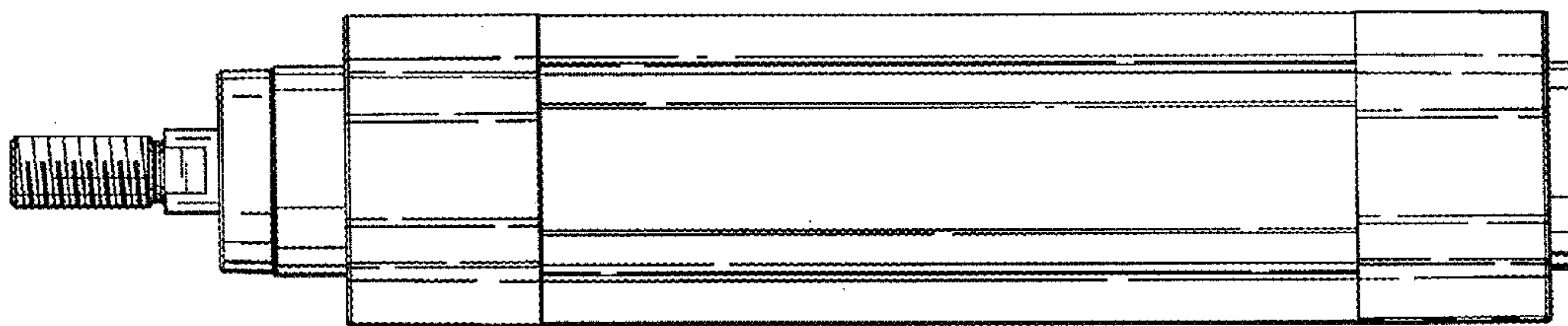


Fig. 3

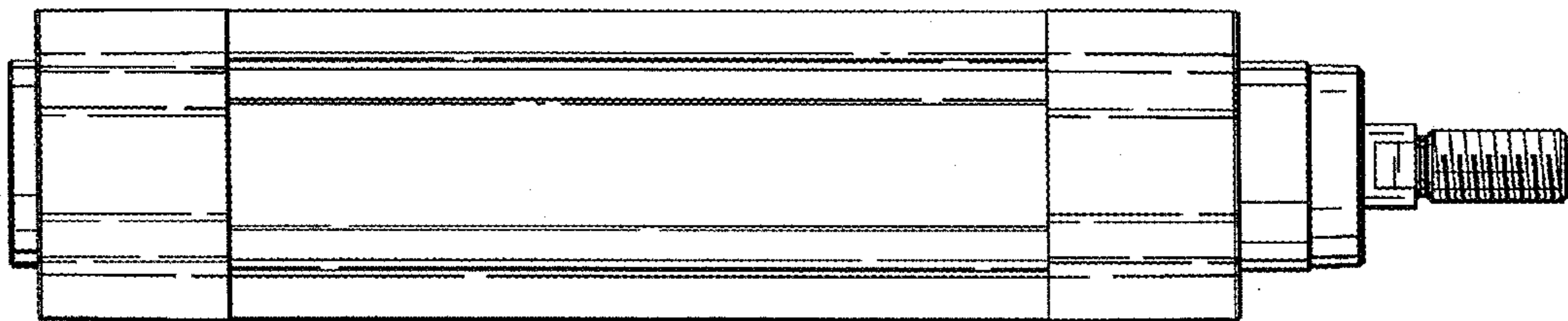


Fig. 4

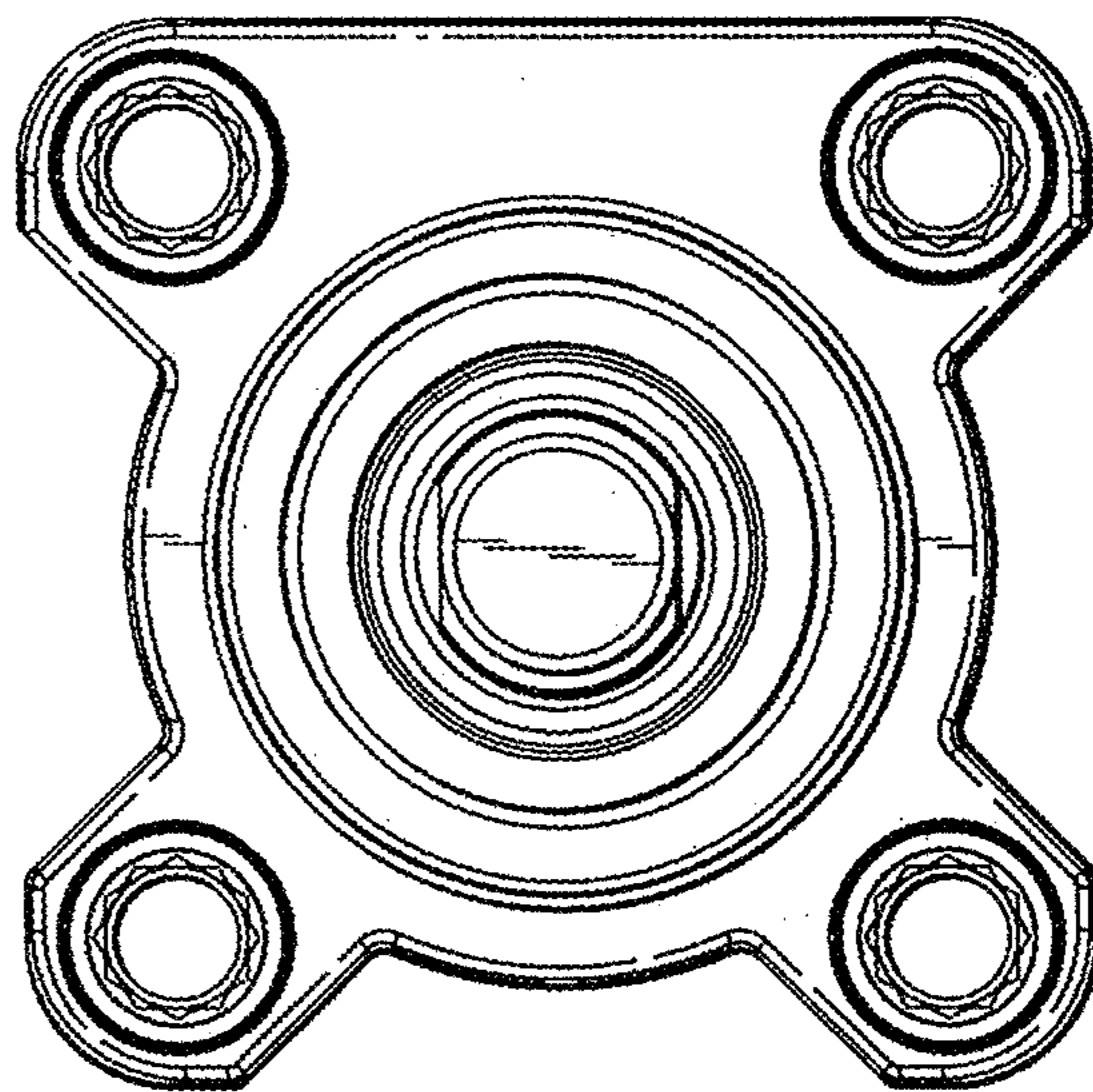


Fig. 5

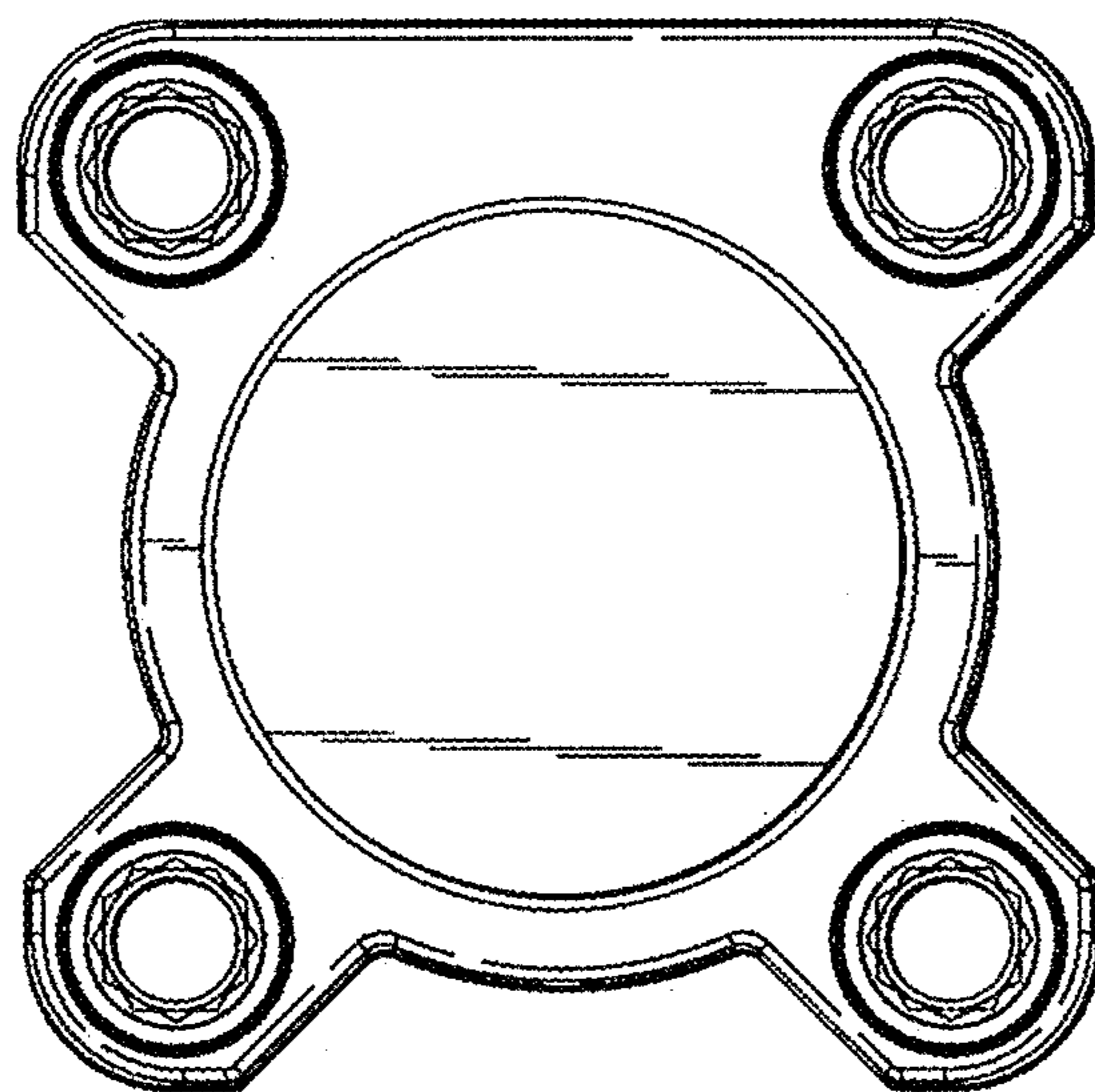


Fig. 6

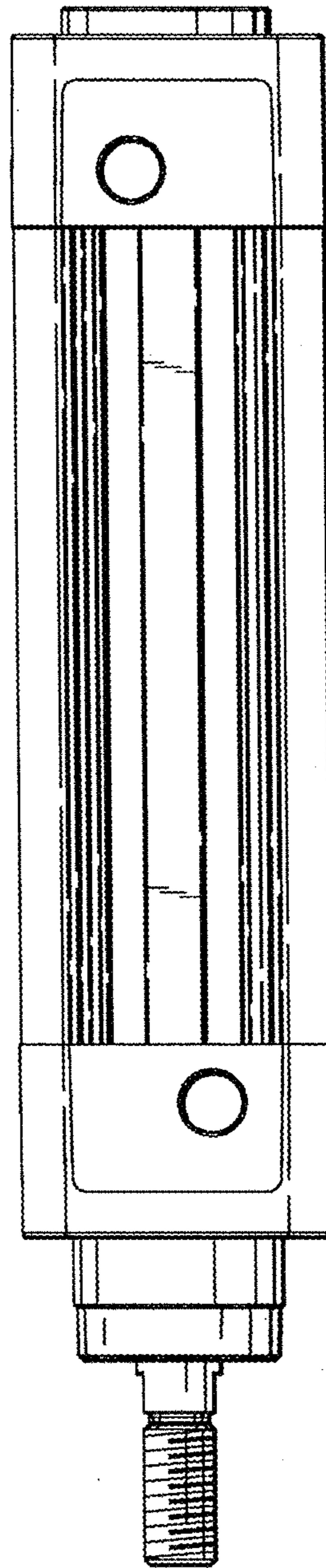


Fig. 7

