



US00D682898S

(12) **United States Design Patent**
Fujii

(10) **Patent No.:** **US D682,898 S**

(45) **Date of Patent:** **** May 21, 2013**

(54) **DRILL HEAD FOR DEEP HOLE DRILLING**

(75) Inventor: **Katsushi Fujii**, Anjo (JP)

(73) Assignee: **Ayabo Corporation**, Anjo-shi, Aichi (JP)

(**) Term: **14 Years**

(21) Appl. No.: **29/391,363**

(22) Filed: **May 6, 2011**

(30) **Foreign Application Priority Data**

Nov. 11, 2010 (JP) 2010-027217

(51) **LOC (9) Cl.** **15-09**

(52) **U.S. Cl.**
USPC **D15/139**

(58) **Field of Classification Search** D8/70;
D15/21, 131, 132, 138, 139, 140; 76/108;
83/54, 845; 175/336, 374, 389, 400, 408,
175/409, 410, 411, 414, 415, 418, 419, 420;
279/96, 103; 403/331, 381; 407/9, 33, 34,
407/35, 42, 43, 46-50, 53, 54, 113, 114-119;
408/56, 97, 224, 226-230; 409/66, 74, 131,
409/132, 136, 199, 200, 231

See application file for complete search history.

(56) **References Cited**

U.S. PATENT DOCUMENTS

4,076,445 A * 2/1978 Kress et al. 408/226
D496,948 S * 10/2004 Charland et al. D15/139
D504,141 S * 4/2005 Charland et al. D15/139
D525,634 S * 7/2006 Kotala D15/138
7,645,102 B2 * 1/2010 Nomura et al. 408/199
D639,320 S * 6/2011 Frejd D15/139

D649,988 S * 12/2011 Frejd D15/139
8,347,988 B2 * 1/2013 Gilbert et al. 175/293
2010/0040425 A1 * 2/2010 Nomura et al. 408/83
2011/0280675 A1 * 11/2011 Nomura et al. 408/1 R
2013/0051944 A1 * 2/2013 Wenzelburger et al. 408/83

FOREIGN PATENT DOCUMENTS

JP 2008-334663 7/2010

OTHER PUBLICATIONS

The Clip from the Magazine "The Leader of Tool Tech", in Apr. 2010. C-1202:1—The Brochure issued by Sandvik, a Swedish company, in Dec. 2009.

The Brochure issued by Unitac Incorporated, a Japanese company, in Feb. 2010.

* cited by examiner

Primary Examiner — Patricia Palasik

(74) *Attorney, Agent, or Firm* — Quarles & Brady LLP; Gavin J. Milczarek-Desai

(57) **CLAIM**

The ornamental design for a drill head for deep hole drilling, as shown and described.

DESCRIPTION

FIG. 1 is a front perspective view of the drill head design.

FIG. 2 is a front elevational view of the drill head design.

FIG. 3 is a rear elevational view of the drill head design.

FIG. 4 is a left side elevational view of the drill head design.

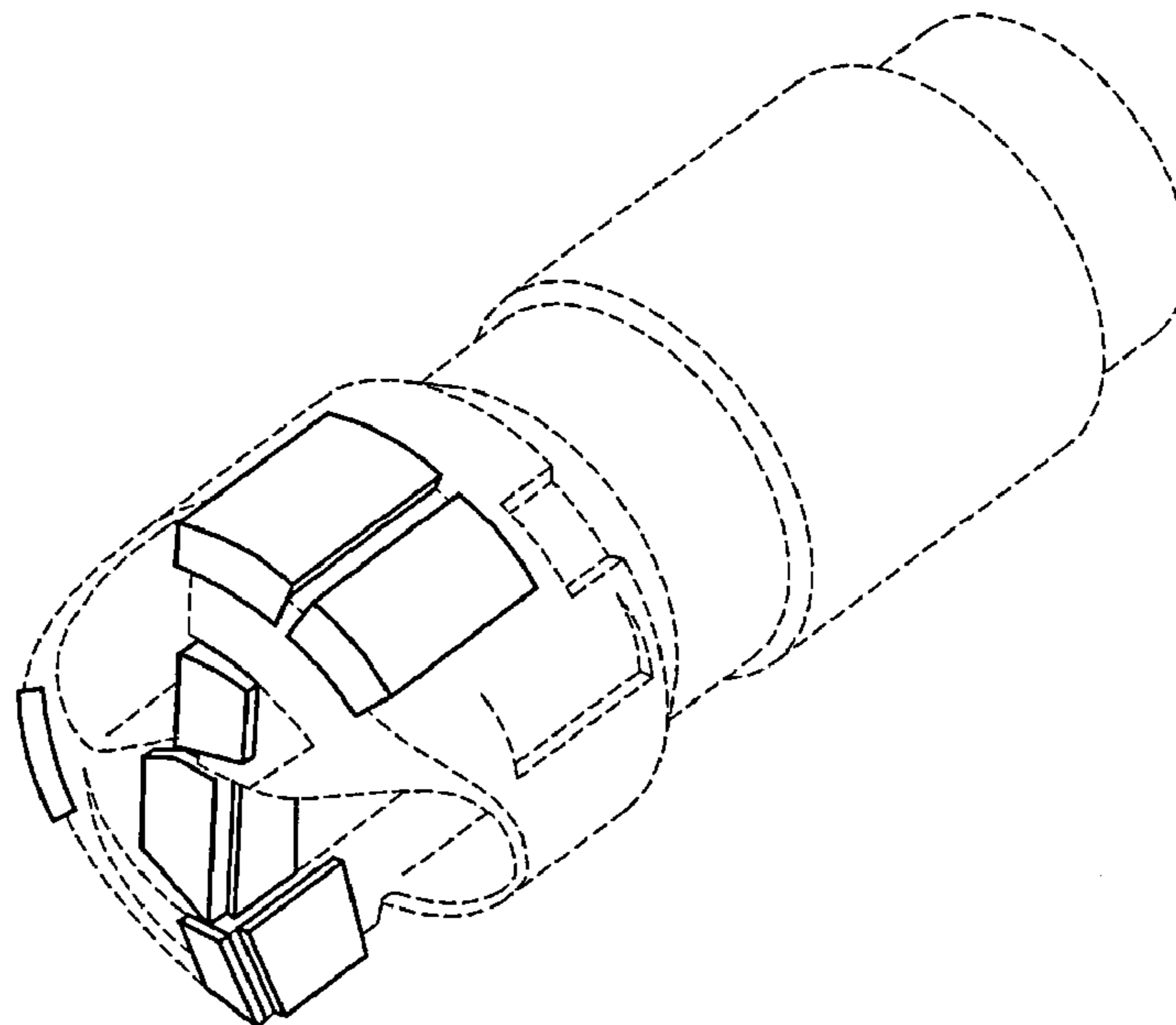
FIG. 5 is a right side elevational view of the drill head design.

FIG. 6 is a top view of the drill head design; and,

FIG. 7 is a bottom view of the drill head design.

The broken line showing on the drawing disclosure is for illustrative purposes only and forms no part of the claimed design.

1 Claim, 4 Drawing Sheets



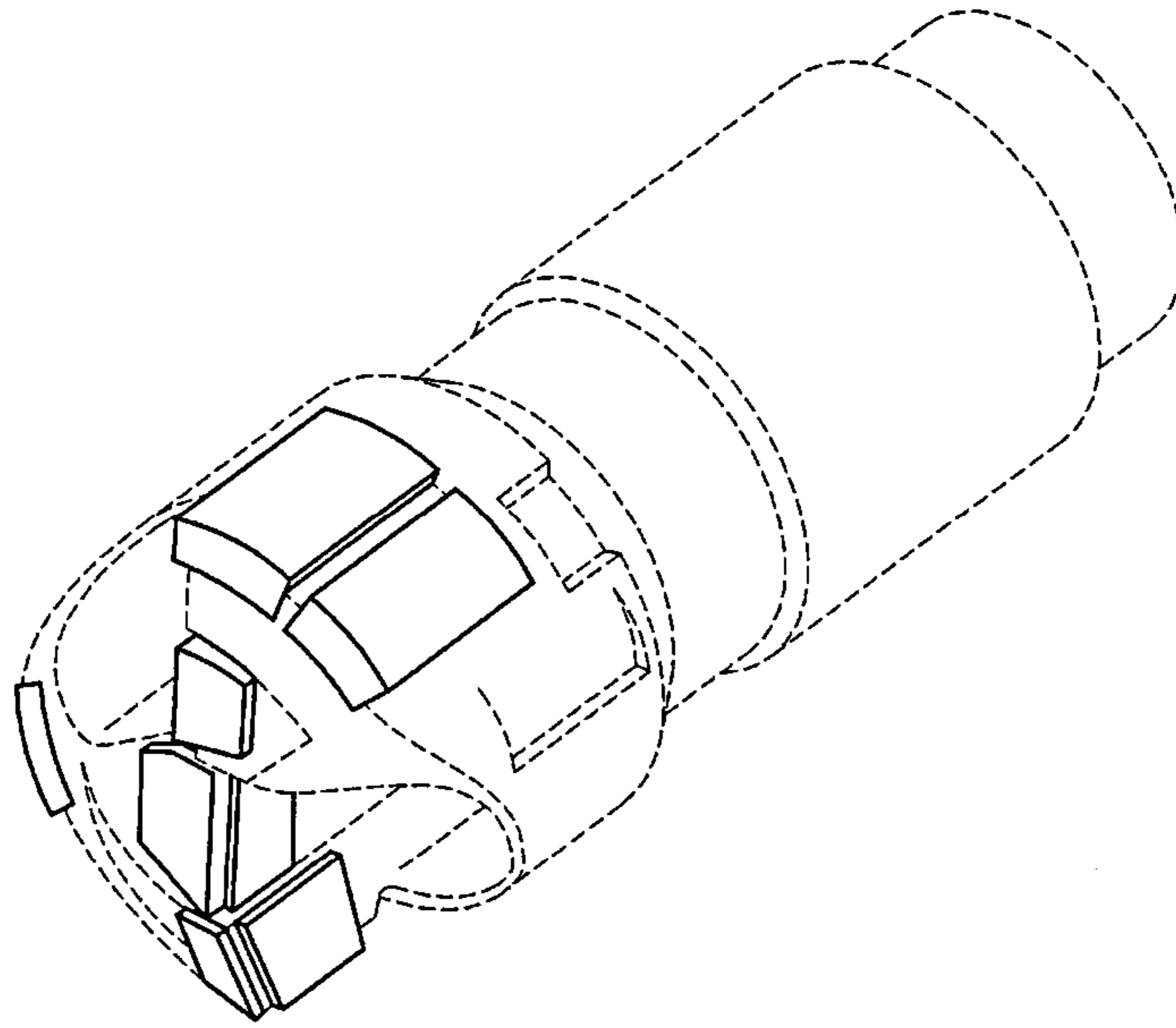


Fig. 1

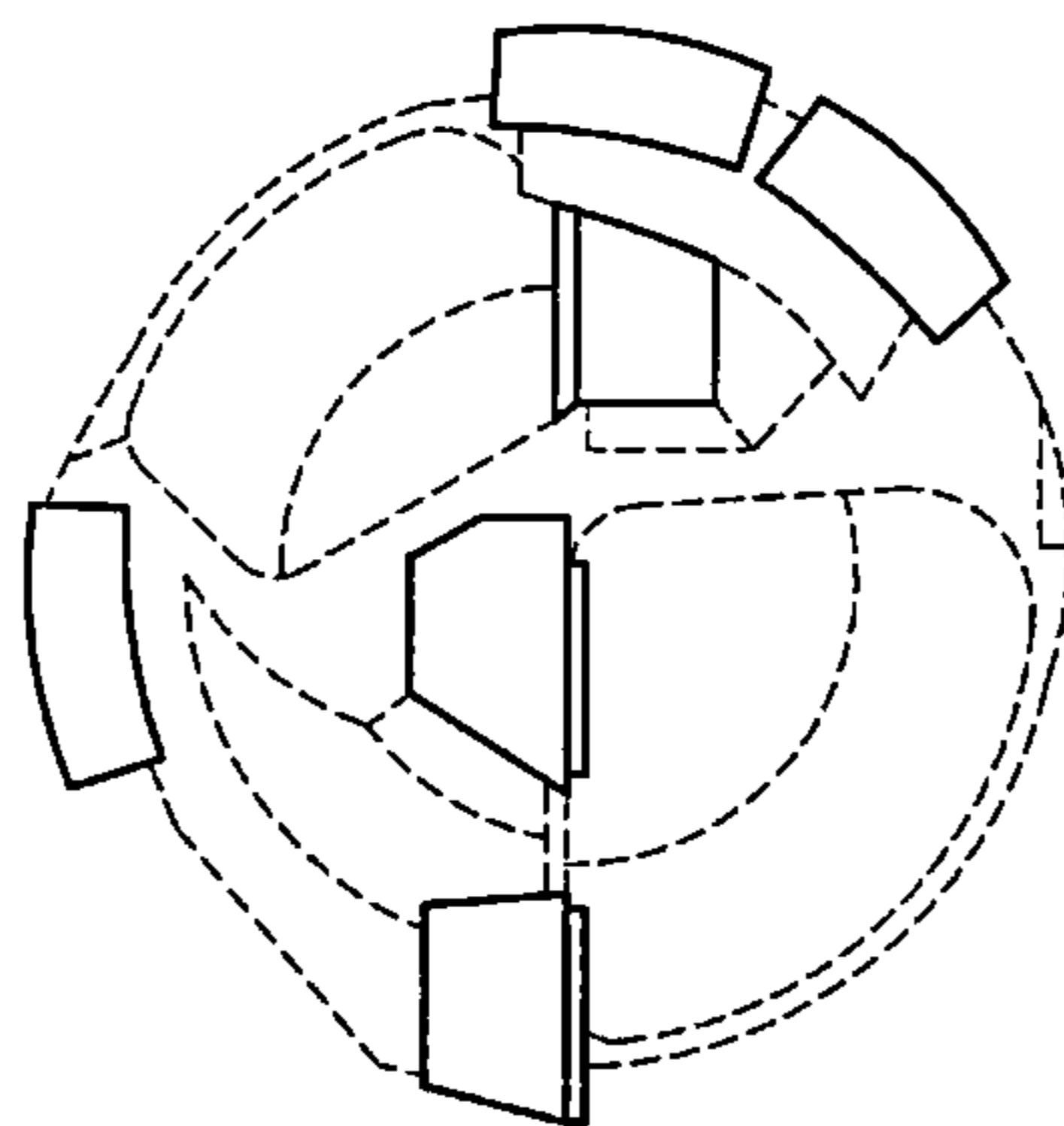


Fig. 2

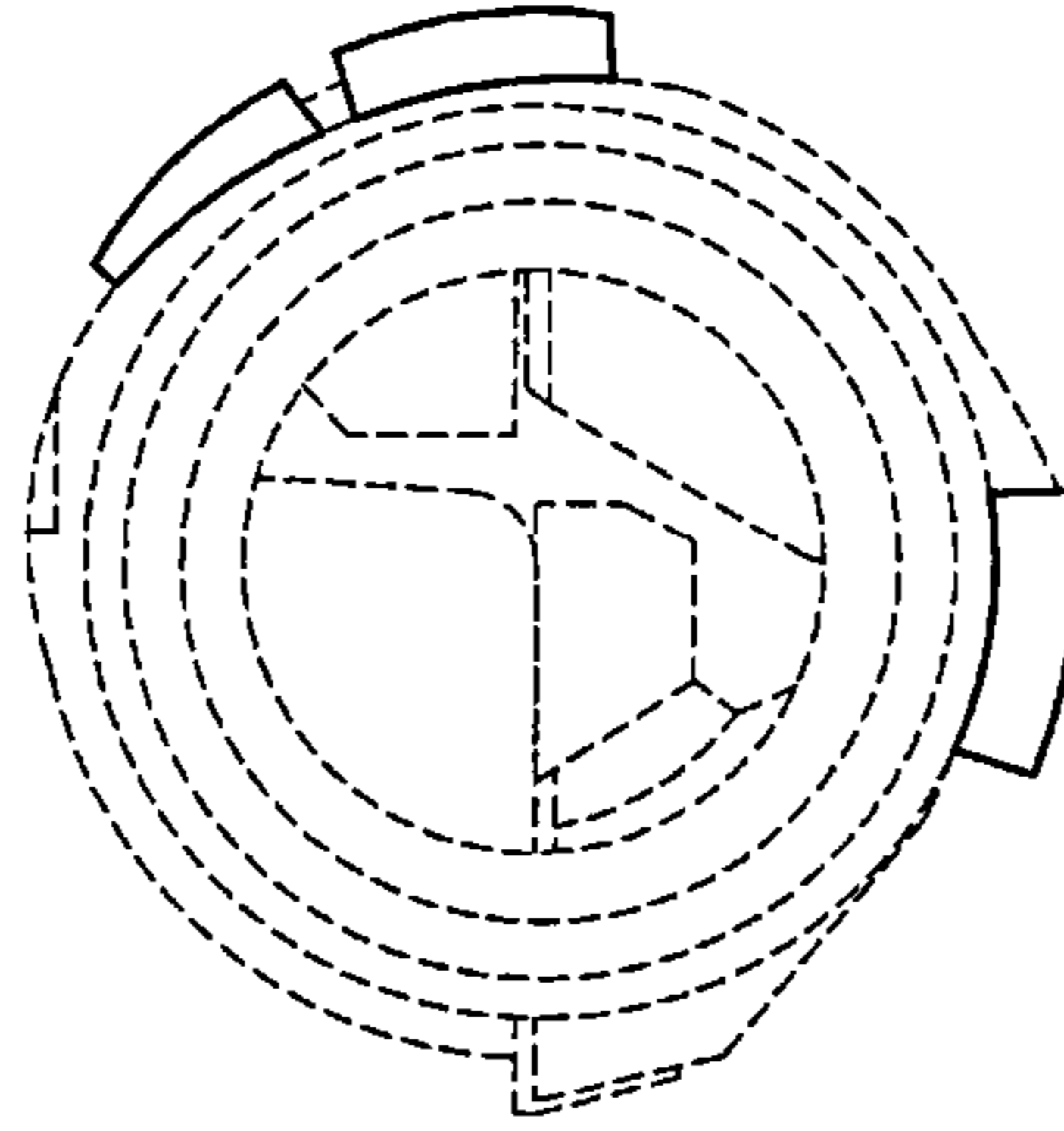


Fig. 3

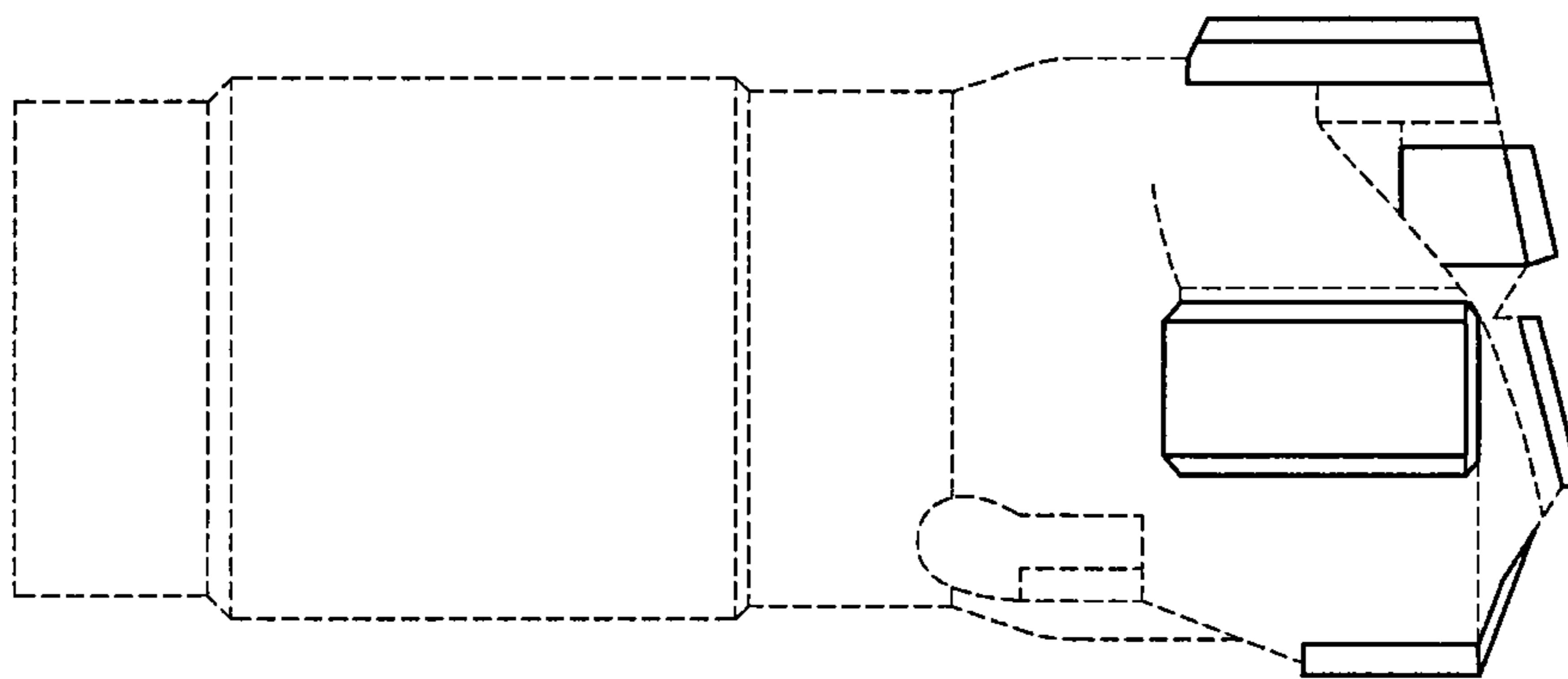


Fig. 4

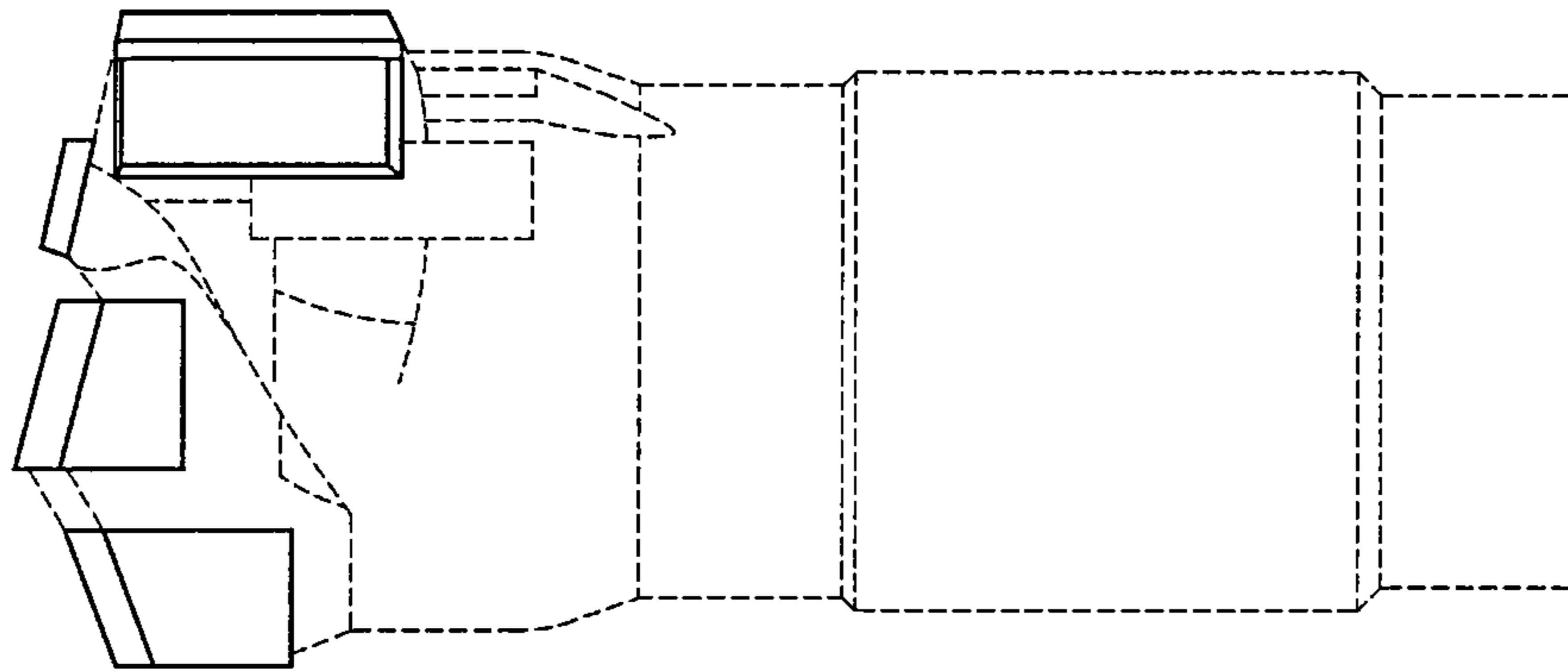


Fig. 5

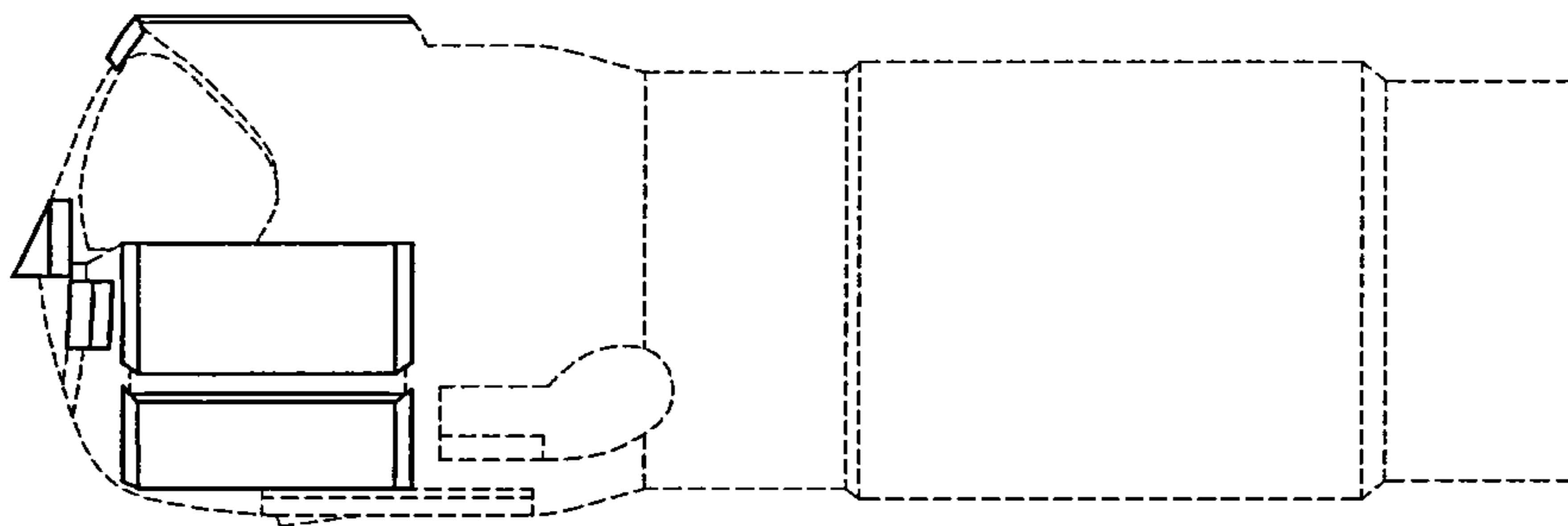


Fig. 6

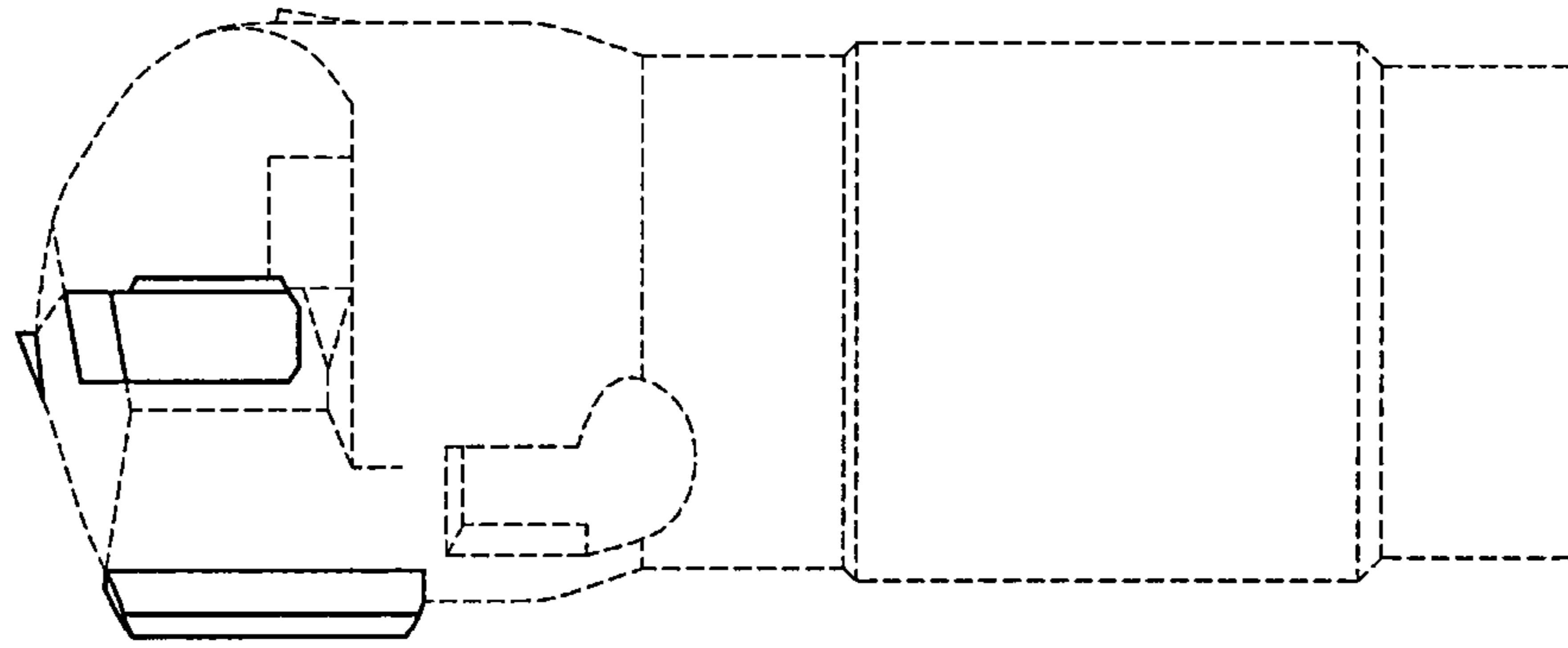


Fig. 7