

US00D682896S

(12) **United States Design Patent**
Wright

(10) **Patent No.:** **US D682,896 S**

(45) **Date of Patent:** **** May 21, 2013**

(54) **CHOP SAW**

(75) Inventor: **Stuart Wright**, Lutherville Timonium,
MD (US)

(73) Assignee: **Black & Decker Inc.**, Newark, DE (US)

(**) Term: **14 Years**

(21) Appl. No.: **29/416,161**

(22) Filed: **Mar. 19, 2012**

(30) **Foreign Application Priority Data**

Sep. 20, 2011 (EP) 001293922

(51) **LOC (9) Cl.** **15-09**

(52) **U.S. Cl.**
USPC **D15/133**

(58) **Field of Classification Search**
USPC ... D8/61, 64-69; D15/133, 134; 30/377-378,
30/388-391; 83/377, 378, 388, 397, 468.3,
83/469

See application file for complete search history.

(56) **References Cited**

U.S. PATENT DOCUMENTS

D409,066 S * 5/1999 Welsh D8/66
D415,001 S * 10/1999 Welsh D8/66

D420,021 S * 2/2000 Higuchi et al. D15/133
D479,252 S * 9/2003 Ozawa et al. D15/133
D520,031 S * 5/2006 Wikle et al. D15/133
D550,729 S * 9/2007 Wikle D15/133
2001/0008098 A1 * 7/2001 Dibbern et al. 83/471.3

* cited by examiner

Primary Examiner — Patricia Palasik

(74) *Attorney, Agent, or Firm* — Amir Rohani; Adan Ayala

(57) **CLAIM**

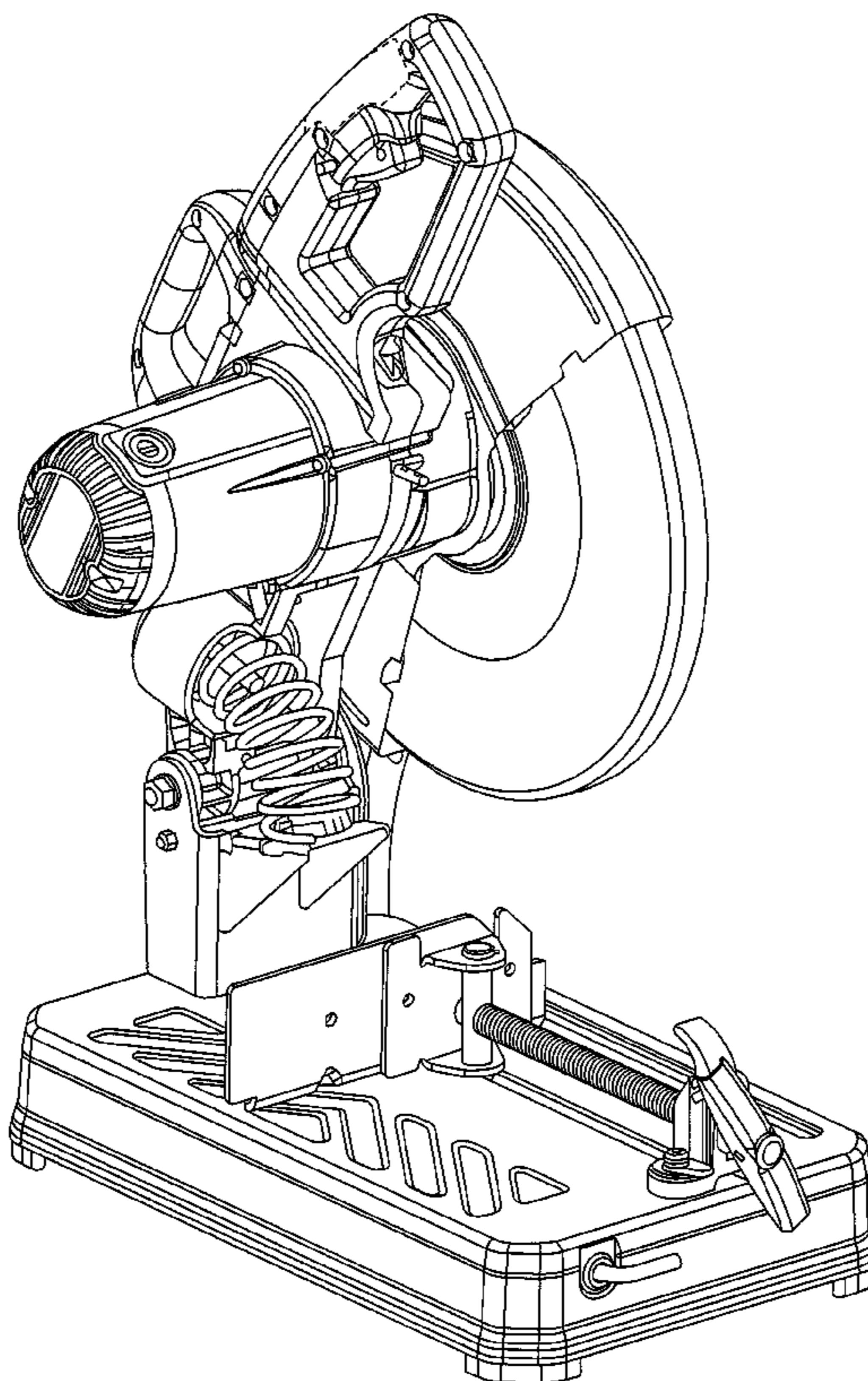
The ornamental design for a chop saw, as shown and described.

DESCRIPTION

FIG. 1 is a perspective view of a chop saw according to the present invention;
FIG. 2 is a view from one side thereof;
FIG. 3 is a view from the other side thereof;
FIG. 4 is a front view thereof;
FIG. 5 is a rear view thereof;
FIG. 6 is a top view thereof;
FIG. 7 is a bottom view thereof; and,
FIG. 8 is a rear perspective view thereof.

The broken lines in the drawings depict unclaimed environmental subject matter.

1 Claim, 7 Drawing Sheets



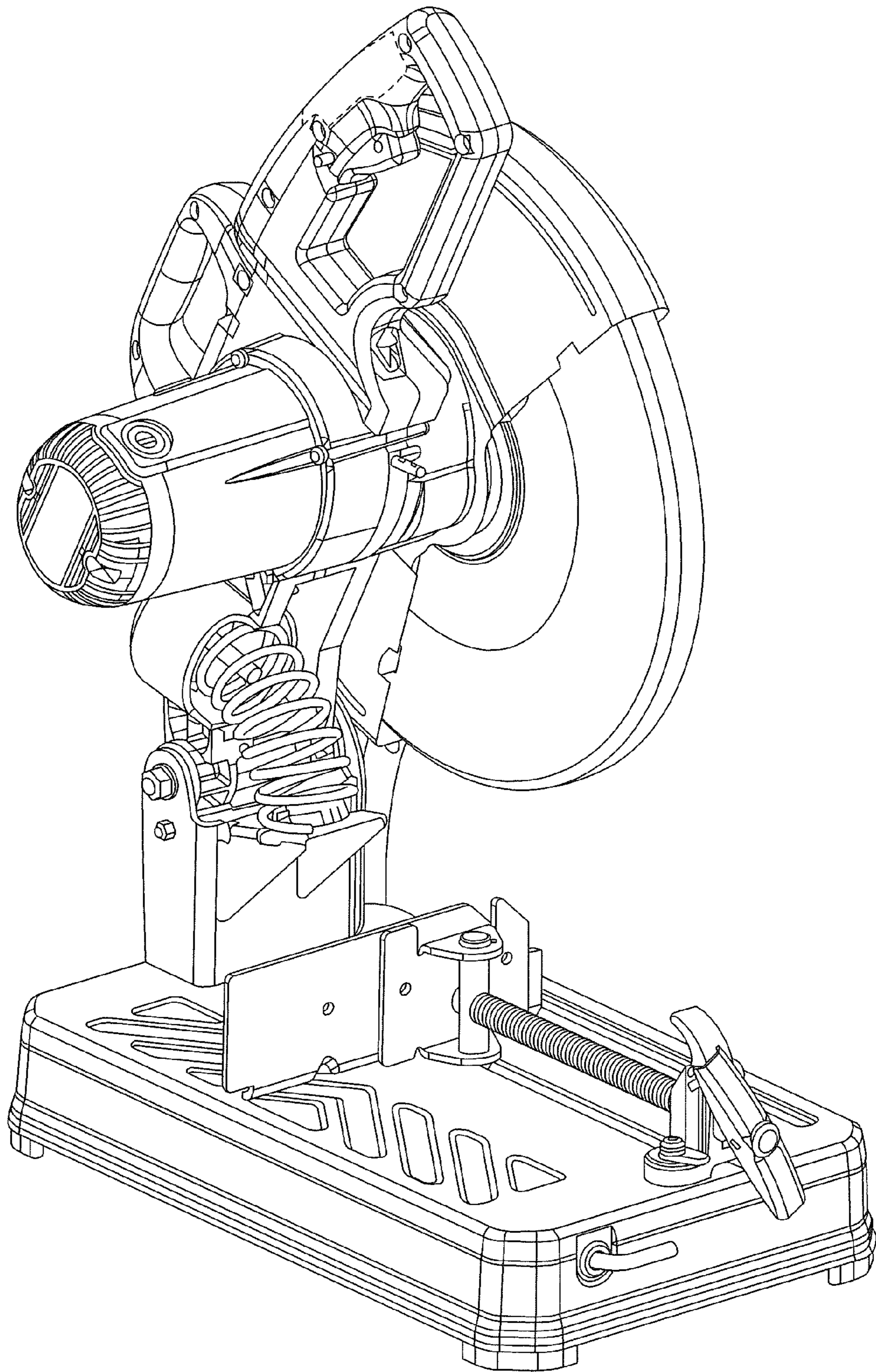


FIG. 1

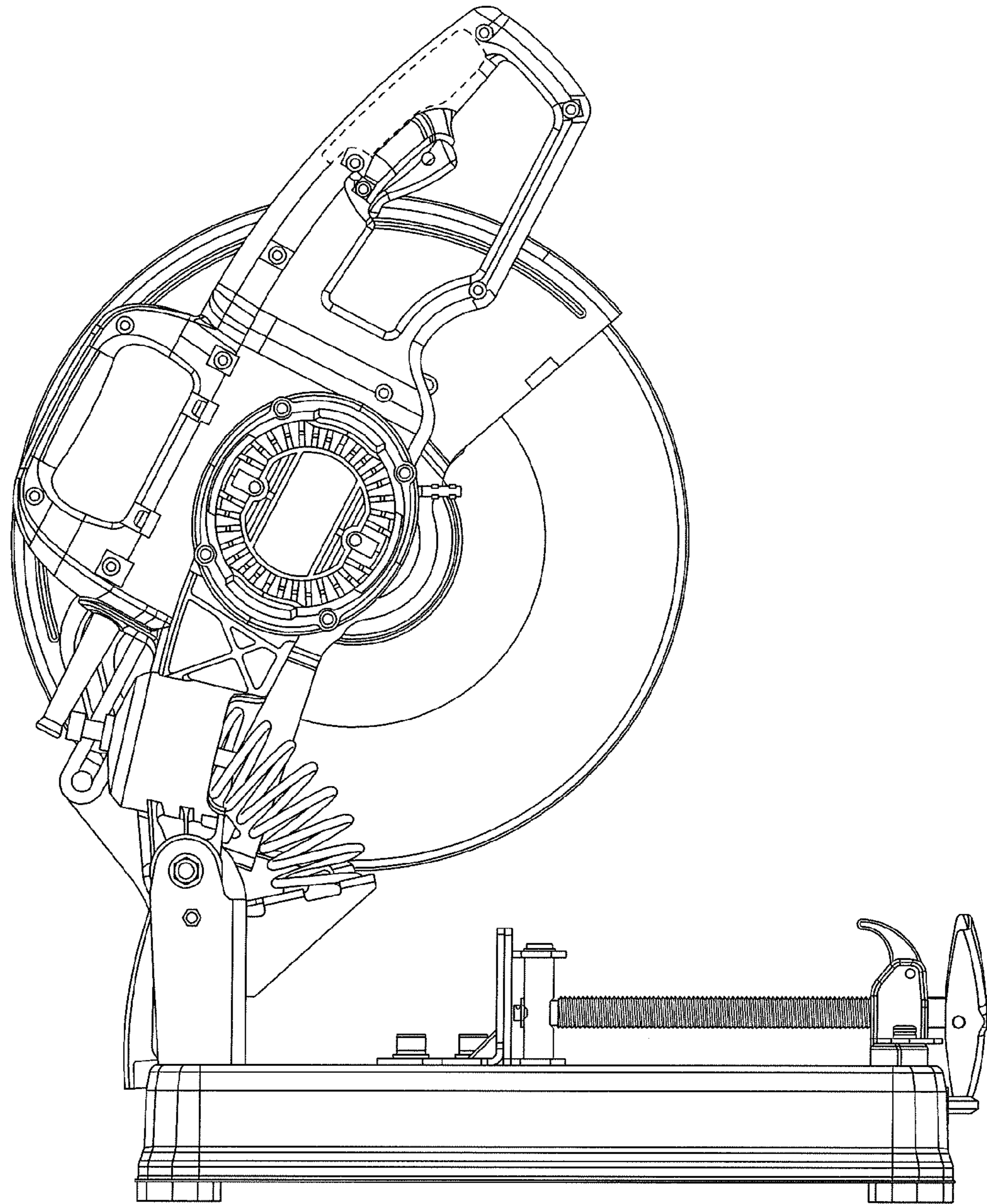


FIG. 2

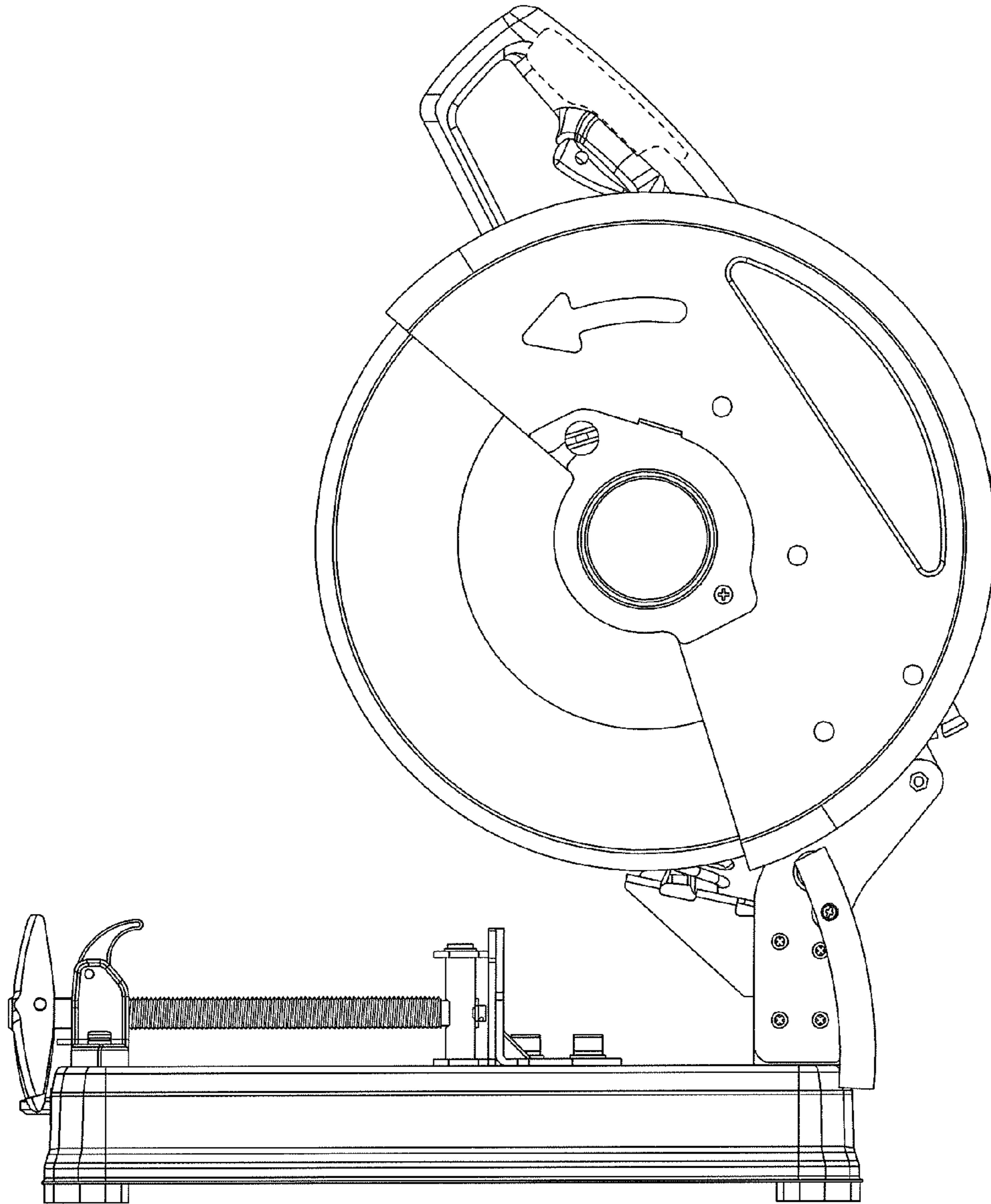


FIG. 3

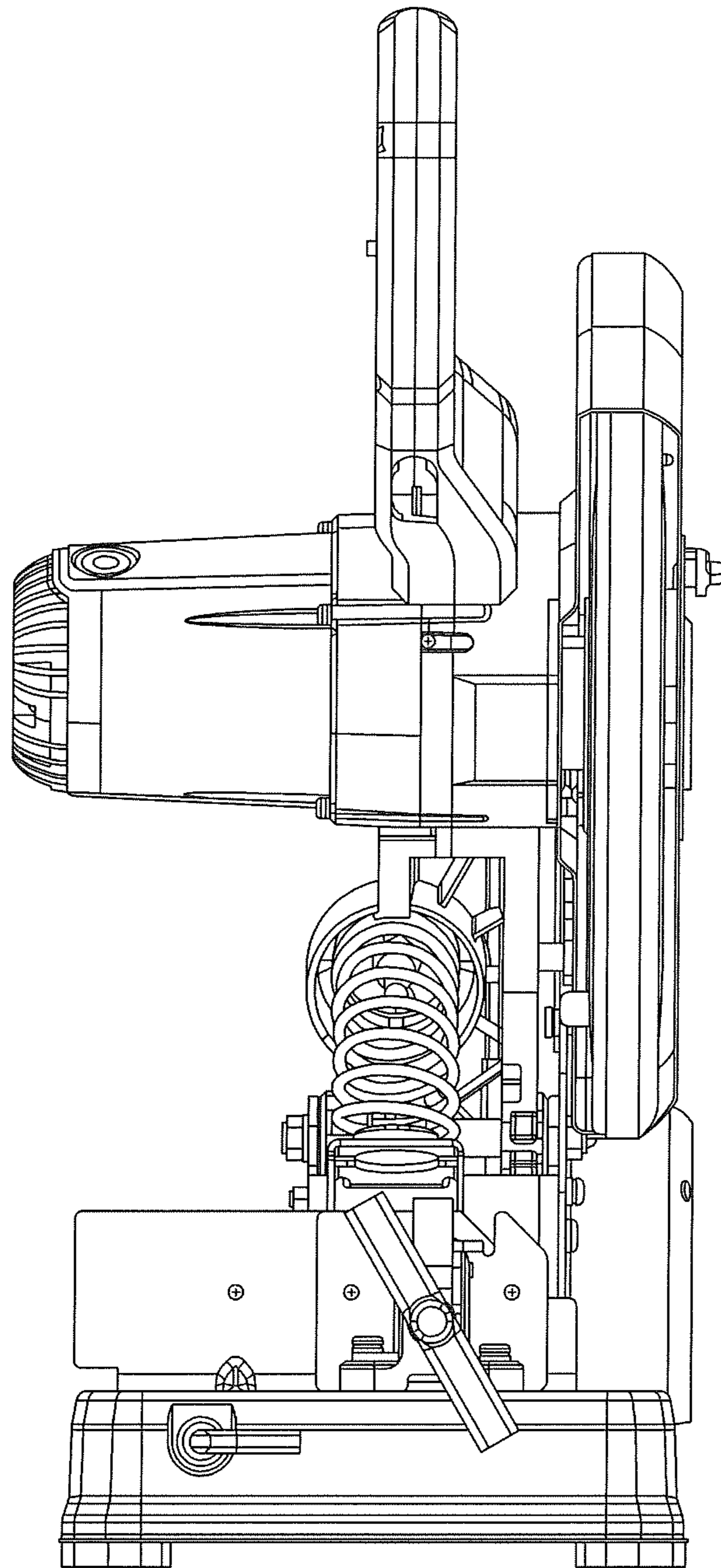


FIG. 4

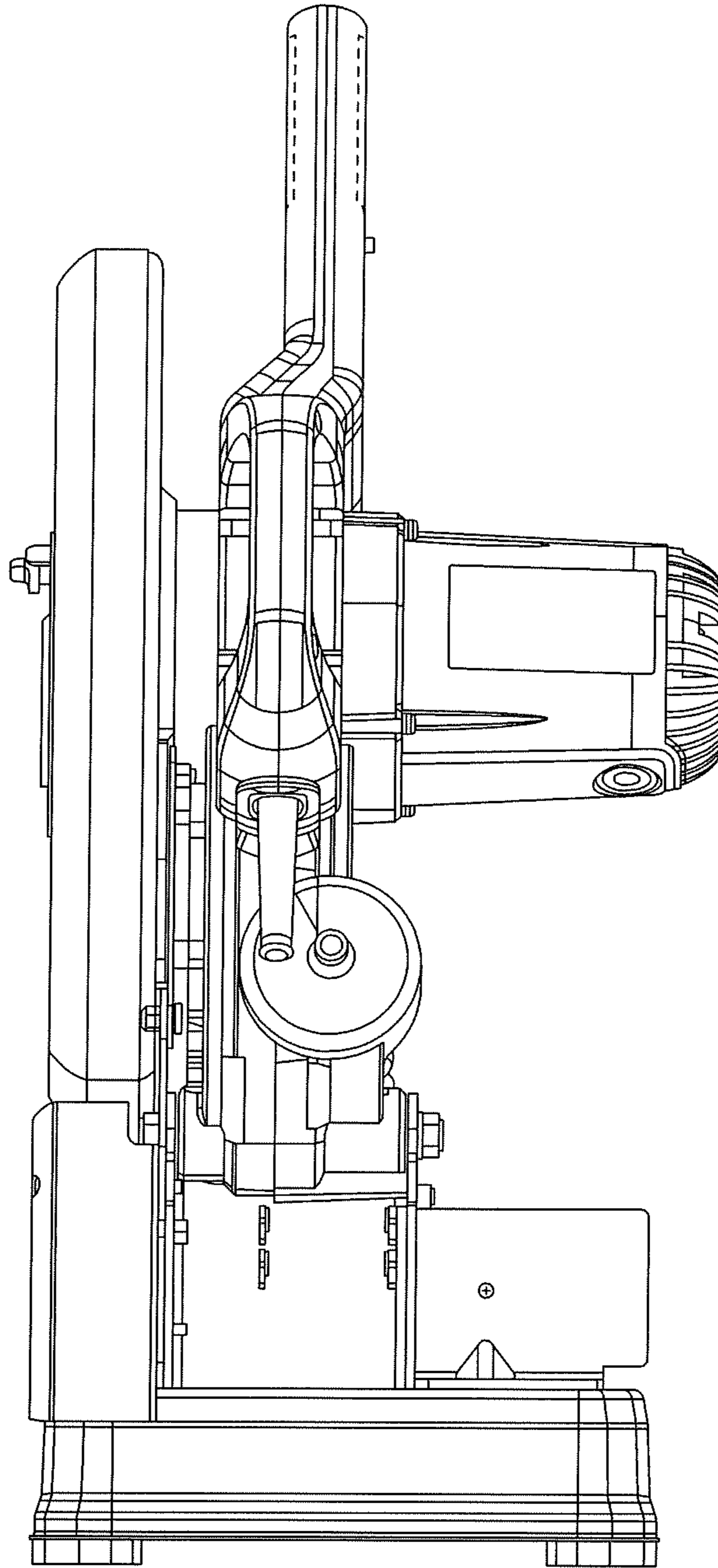


FIG. 5

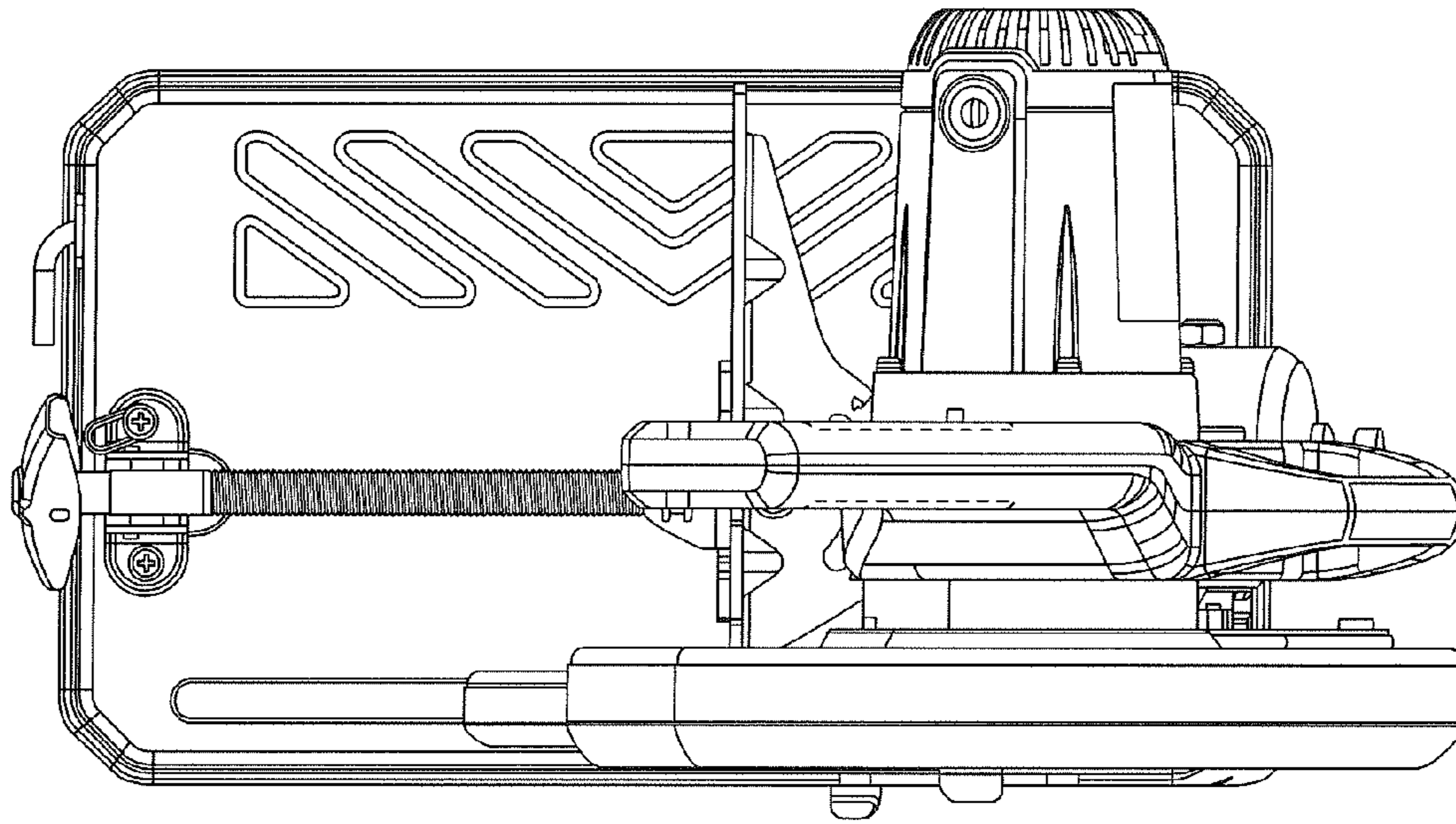


FIG. 6

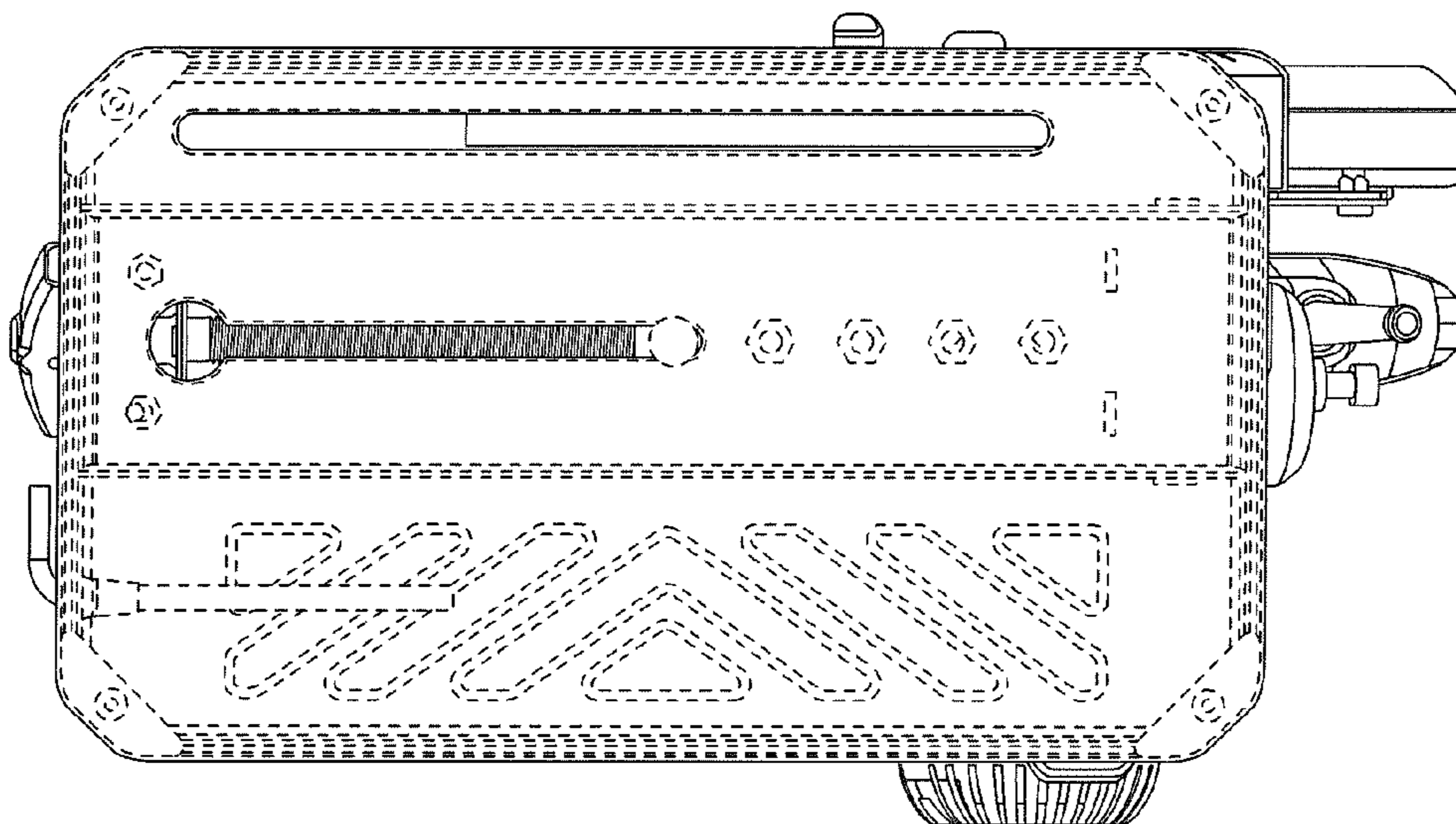


FIG. 7

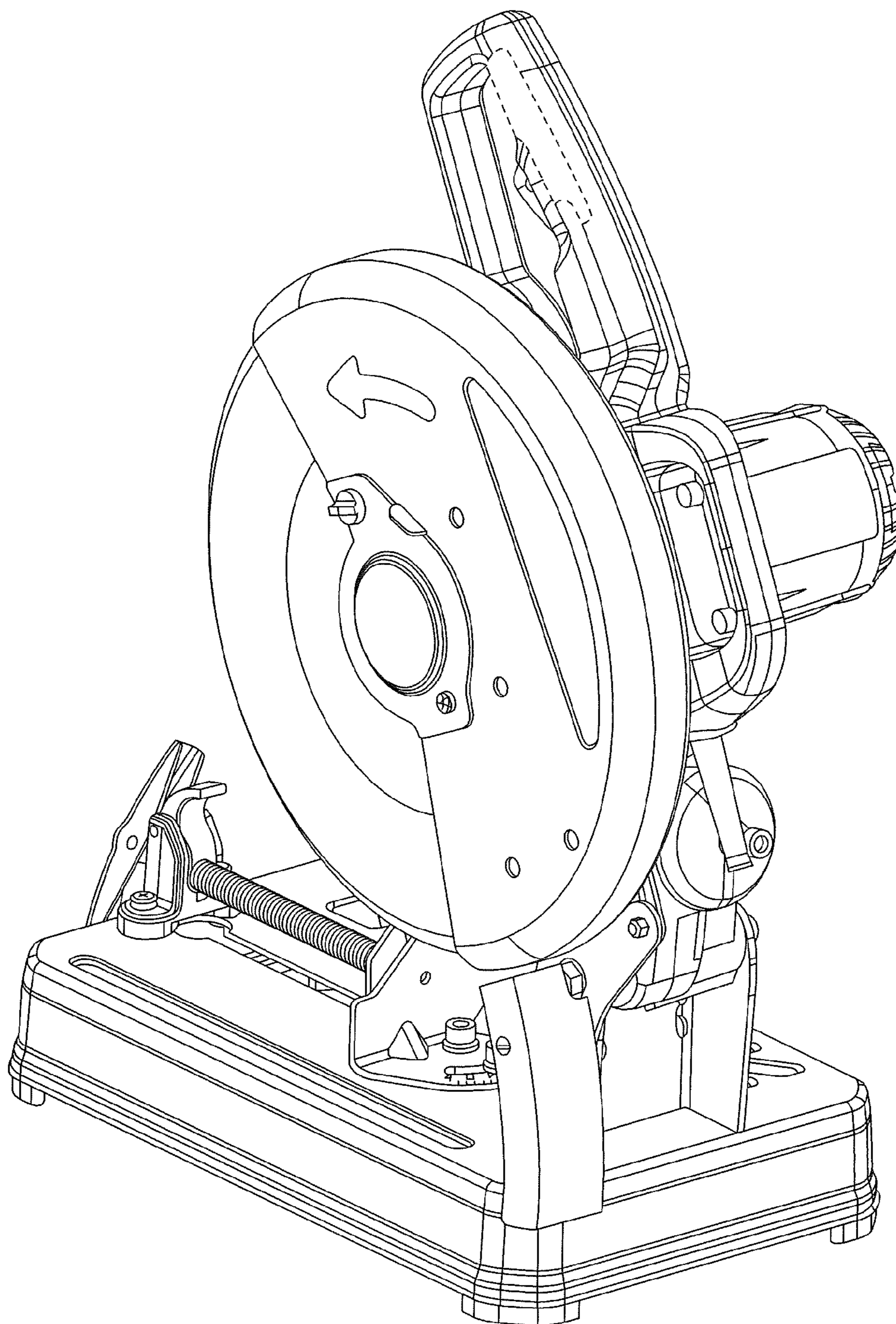


FIG. 8