



US00D682893S

(12) **United States Design Patent**  
**Bergstrand**

(10) **Patent No.:** **US D682,893 S**

(45) **Date of Patent:** **\*\* May 21, 2013**

(54) **GRINDING TOOL**

(75) Inventor: **Max Claes-Göran Bergstrand,**  
Göteborg (SE)

(73) Assignee: **Scanmaskin Sweden AB,** Lindome (SE)

(\*\*) Term: **14 Years**

(21) Appl. No.: **29/421,508**

(22) Filed: **Aug. 6, 2012**

(30) **Foreign Application Priority Data**

Feb. 8, 2012 (EM) ..... 001988619-0001

(51) **LOC (9) Cl.** ..... **15-09**

(52) **U.S. Cl.**  
USPC ..... **D15/126**

(58) **Field of Classification Search** ..... D8/70,  
D8/71, 90, 98; D15/124, 125, 126, 138,  
D15/139; D21/485, 488, 499, 500, 503,  
D21/504; D25/103, 113-118; 83/589, 676,  
83/863; 407/35, 42, 112-119; 451/548-551

See application file for complete search history.

(56) **References Cited**

U.S. PATENT DOCUMENTS

D576,185 S *	9/2008	Park	.....	D15/126
D582,446 S *	12/2008	Park	.....	D15/126
D589,540 S *	3/2009	Park	.....	D15/126
D592,684 S *	5/2009	Park	.....	D15/126

\* cited by examiner

*Primary Examiner* — Patricia Palasik

(74) *Attorney, Agent, or Firm* — Nixon & Vanderhye, P.C.

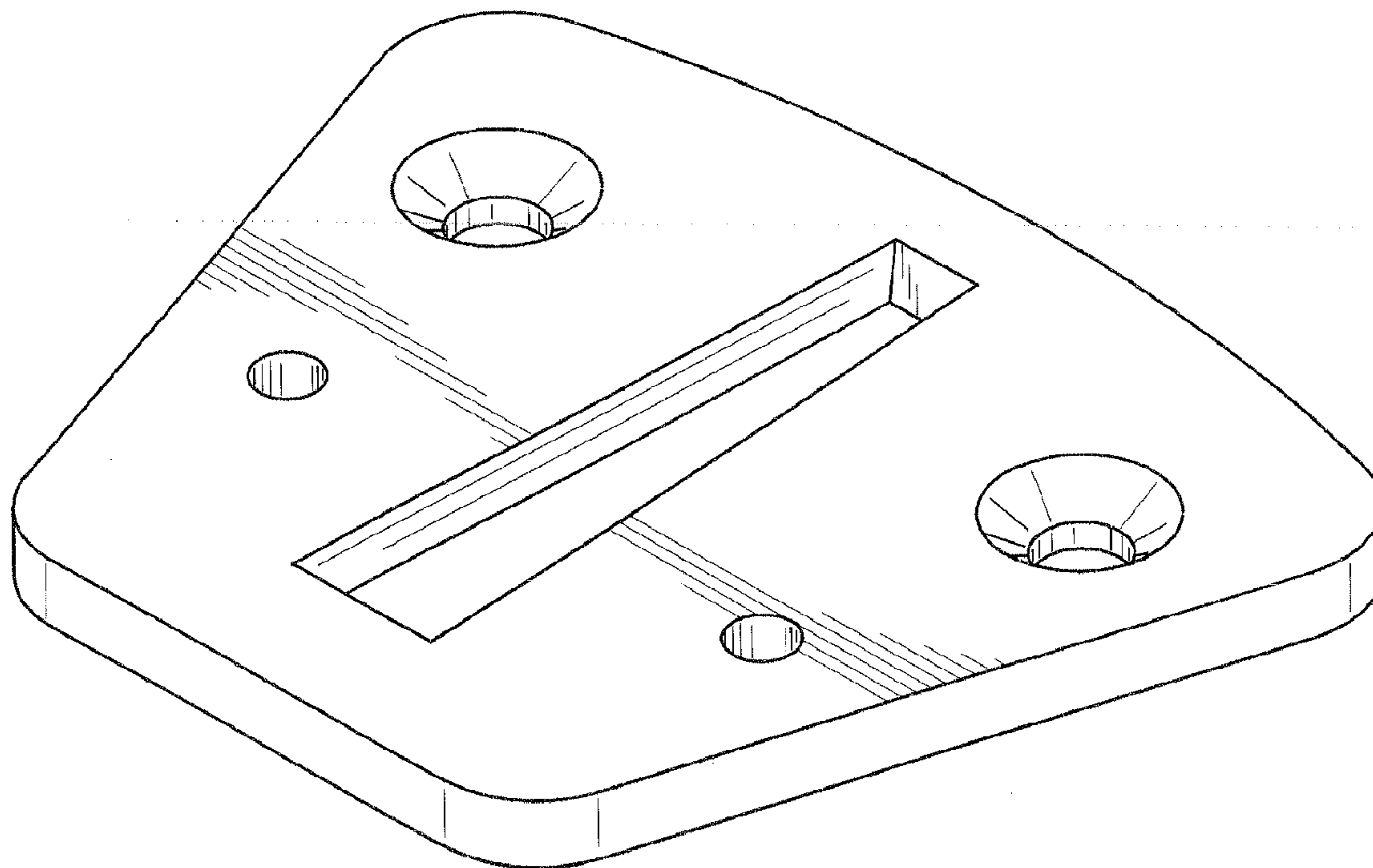
(57) **CLAIM**

The ornamental design for a “grinding tool,” as shown and described.

**DESCRIPTION**

FIG. 1 is a top, right, front perspective view of the grinding tool in accordance with my new design;  
FIG. 2 is a top plan view thereof;  
FIG. 3 is a bottom plan view thereof;  
FIG. 4 is a front elevation view thereof;  
FIG. 5 is a rear elevation view thereof;  
FIG. 6 is a right-side elevation view thereof, the left-side elevation view being identical thereto; and,  
FIG. 7 is a bottom, left, rear perspective view.

**1 Claim, 4 Drawing Sheets**



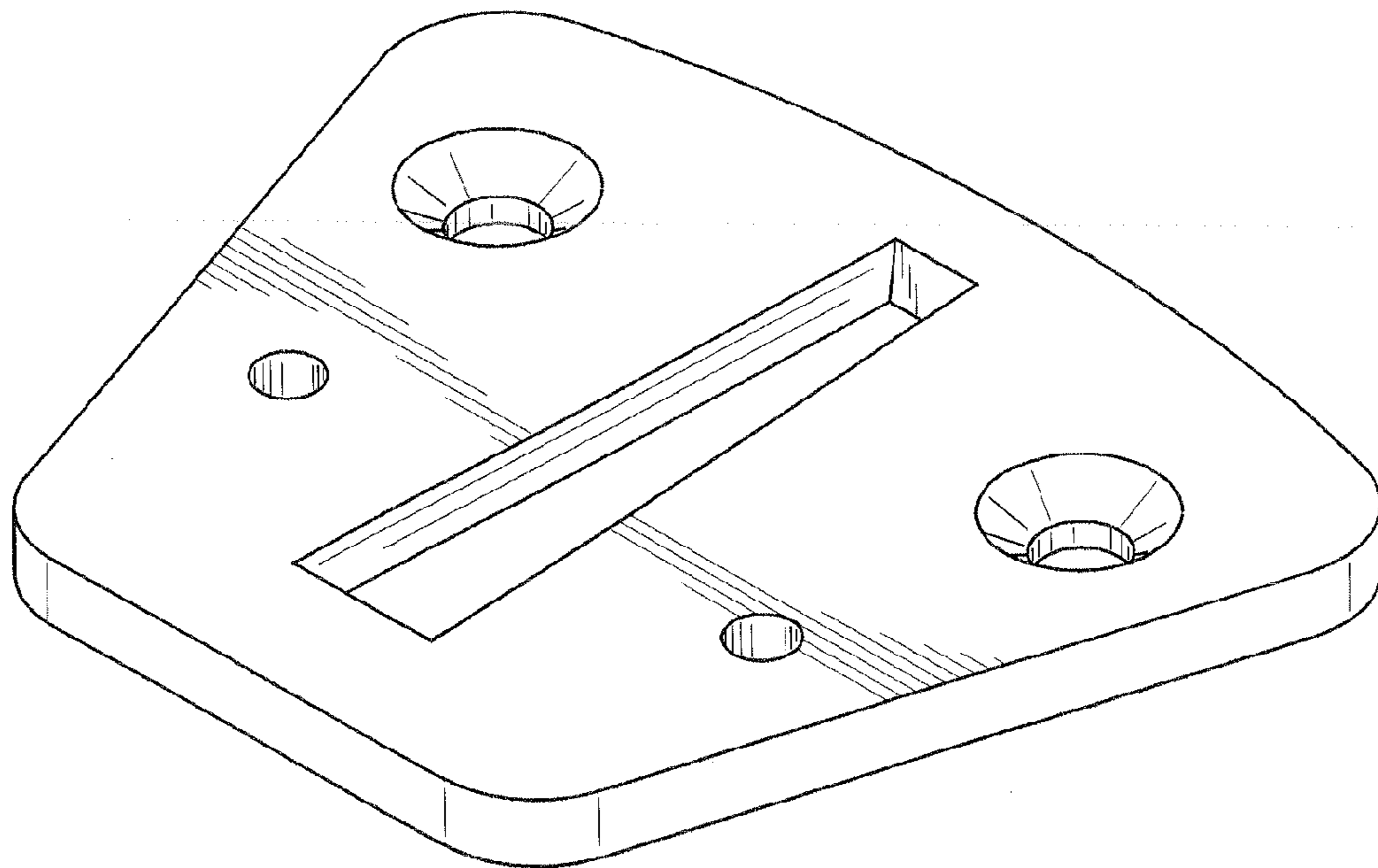


FIG.1

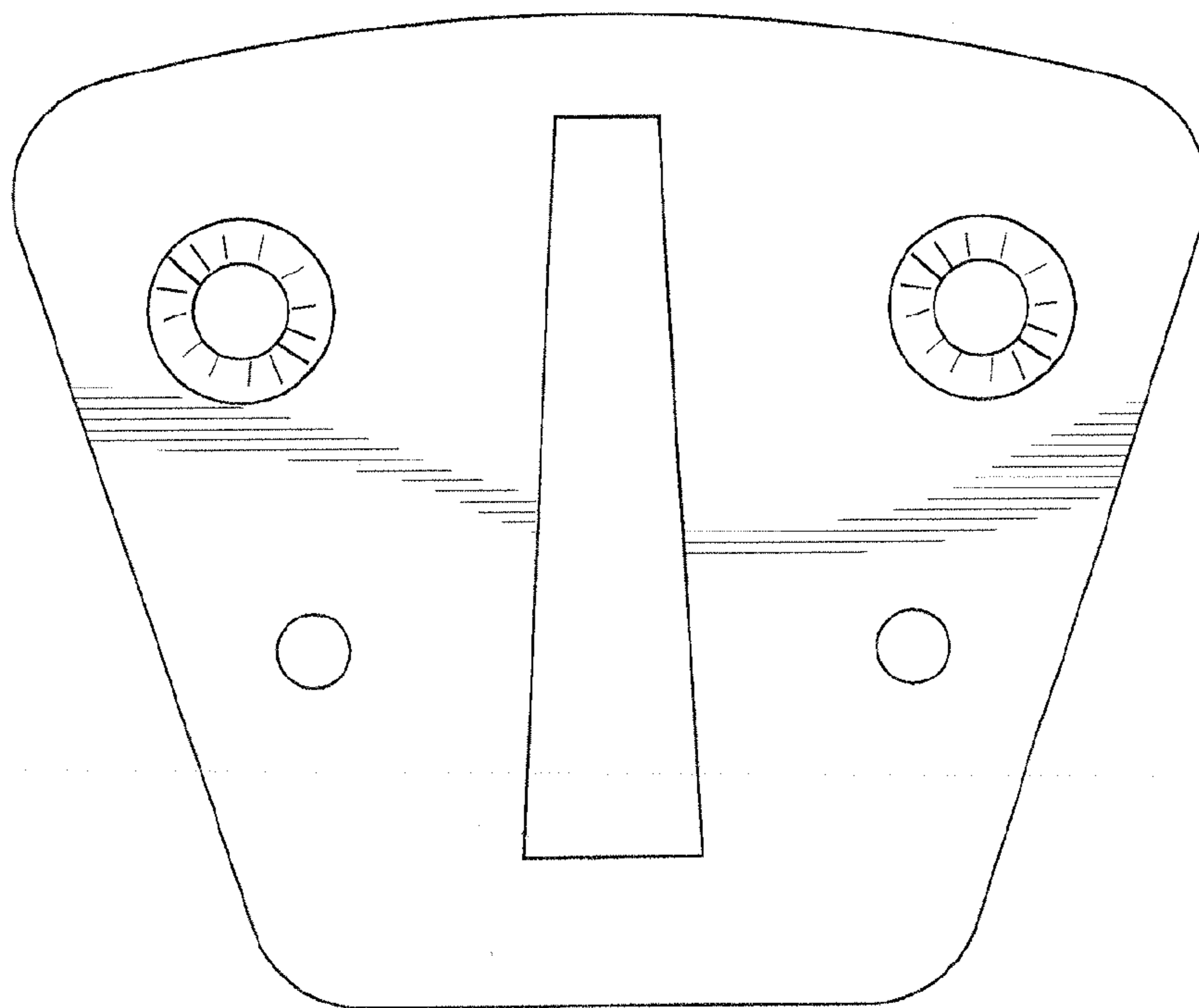


FIG. 2

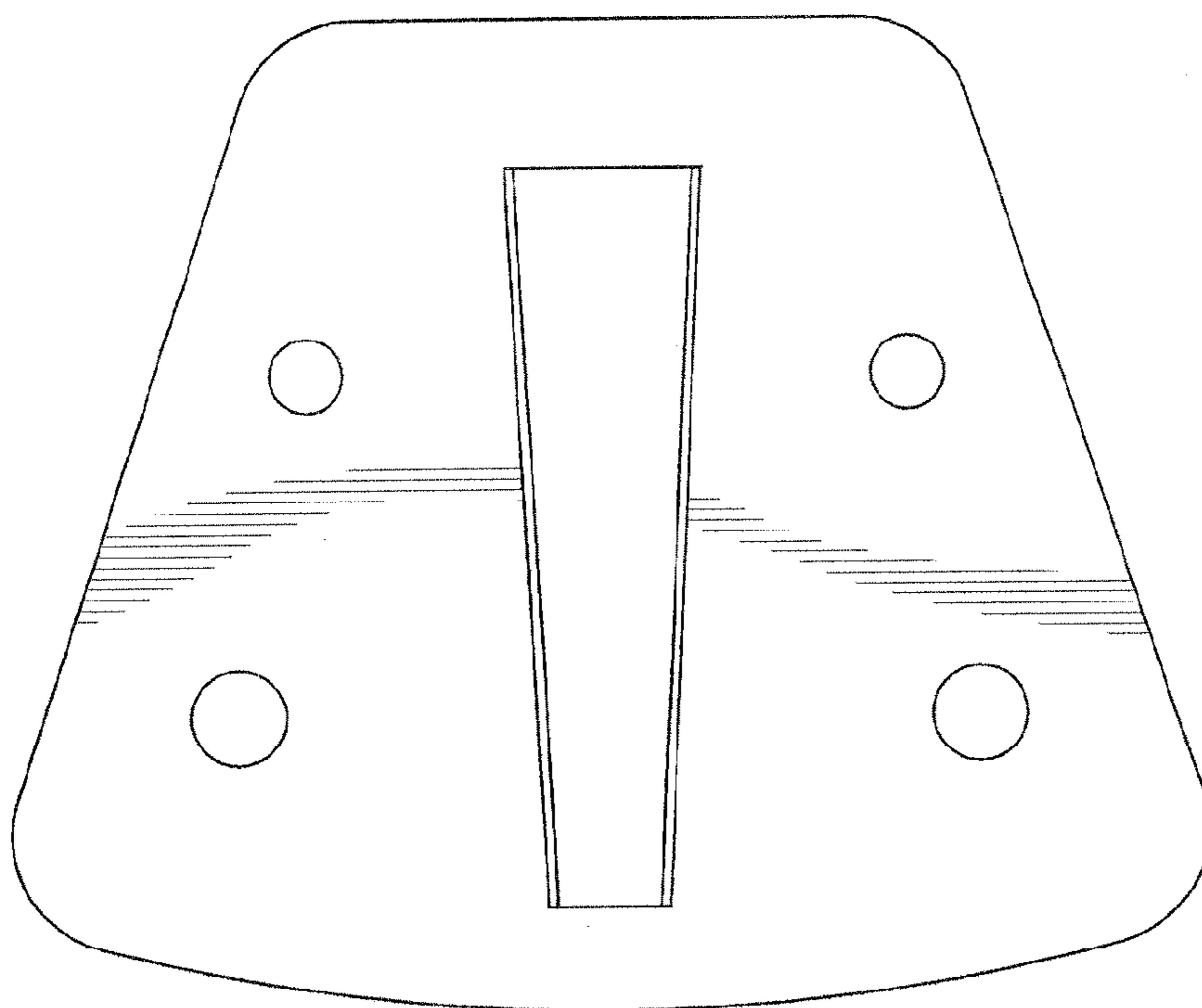


FIG. 3



FIG. 4



FIG. 5



FIG. 6

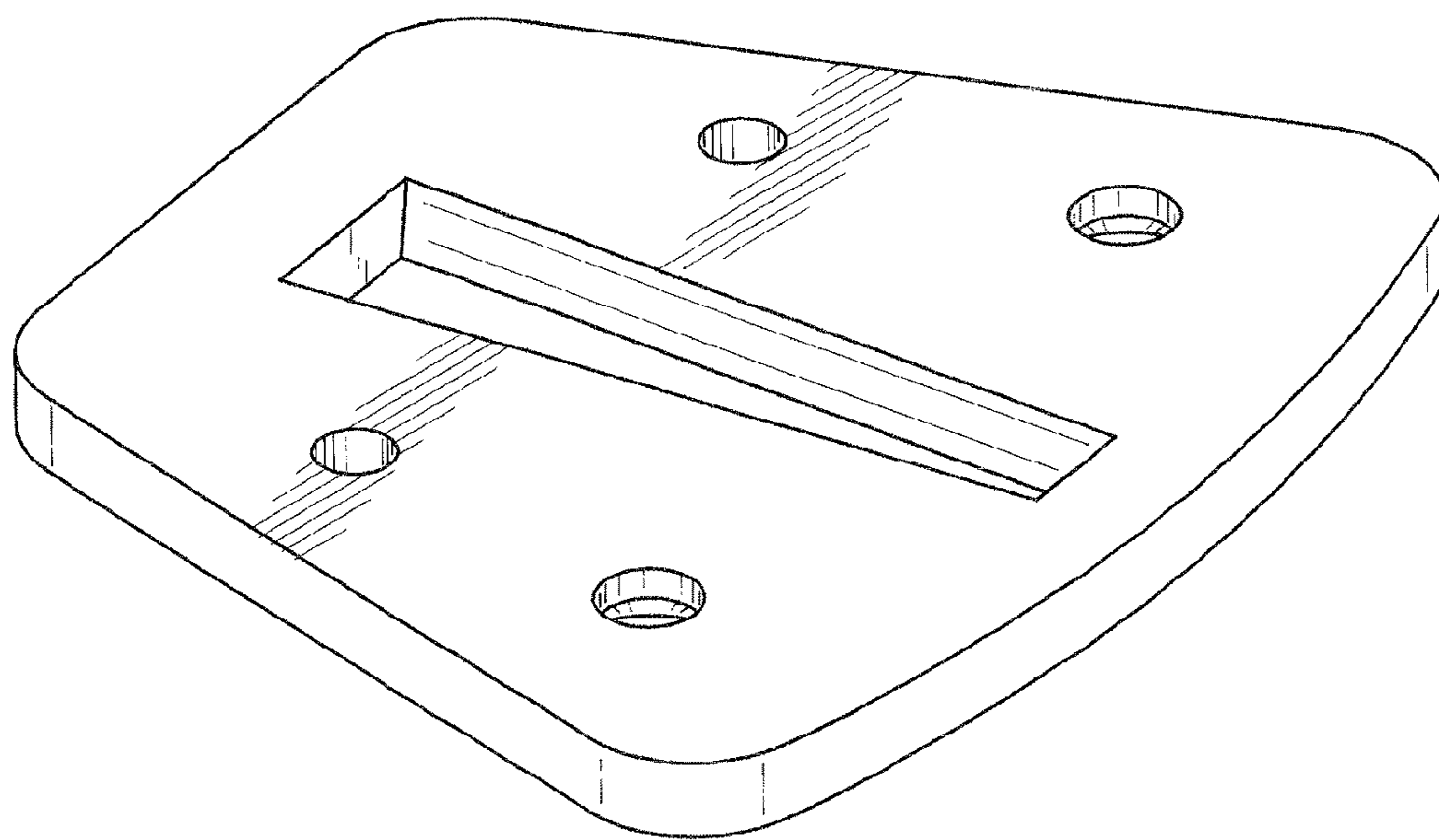


FIG. 7