



US00D682891S

(12) **United States Design Patent**
Kinoshita

(10) **Patent No.:** **US D682,891 S**

(45) **Date of Patent:** **** May 21, 2013**

(54) **HYDRAULIC EXCAVATOR**

(75) Inventor: **Hayato Kinoshita**, Tokyo (JP)

(73) Assignee: **Komatsu Ltd** (JP)

(**) Term: **14 Years**

(21) Appl. No.: **29/408,951**

(22) Filed: **Dec. 19, 2011**

(30) **Foreign Application Priority Data**

Jun. 21, 2011 (JP) 2011-014021
Jun. 21, 2011 (JP) 2011-014022

(51) **LOC (9) Cl.** **12-09**

(52) **U.S. Cl.**
USPC **D15/25**

(58) **Field of Classification Search** D15/10,
D15/22-26; 37/403, 411, 443; 414/685,
414/686, 688, 722-724; 180/89.13
See application file for complete search history.

(56) **References Cited**

U.S. PATENT DOCUMENTS

4,369,989 A * 1/1983 Mankey 280/764.1
D406,152 S * 2/1999 Miyaoka et al. D15/25
D409,629 S * 5/1999 Miyaoka et al. D15/25
D474,481 S * 5/2003 Hara D15/25
D511,531 S * 11/2005 Sewell et al. D15/24
D518,071 S * 3/2006 Gwak et al. D15/25
D527,027 S * 8/2006 Smith et al. D15/24
D538,304 S * 3/2007 Uemura D15/25
D538,827 S * 3/2007 Uemura D15/25
D590,422 S * 4/2009 Joos et al. D15/25

D590,847 S * 4/2009 Yonekura et al. D15/25

* cited by examiner

Primary Examiner — Mark Goodwin

(74) *Attorney, Agent, or Firm* — Fox Rothschild LLP

(57) **CLAIM**

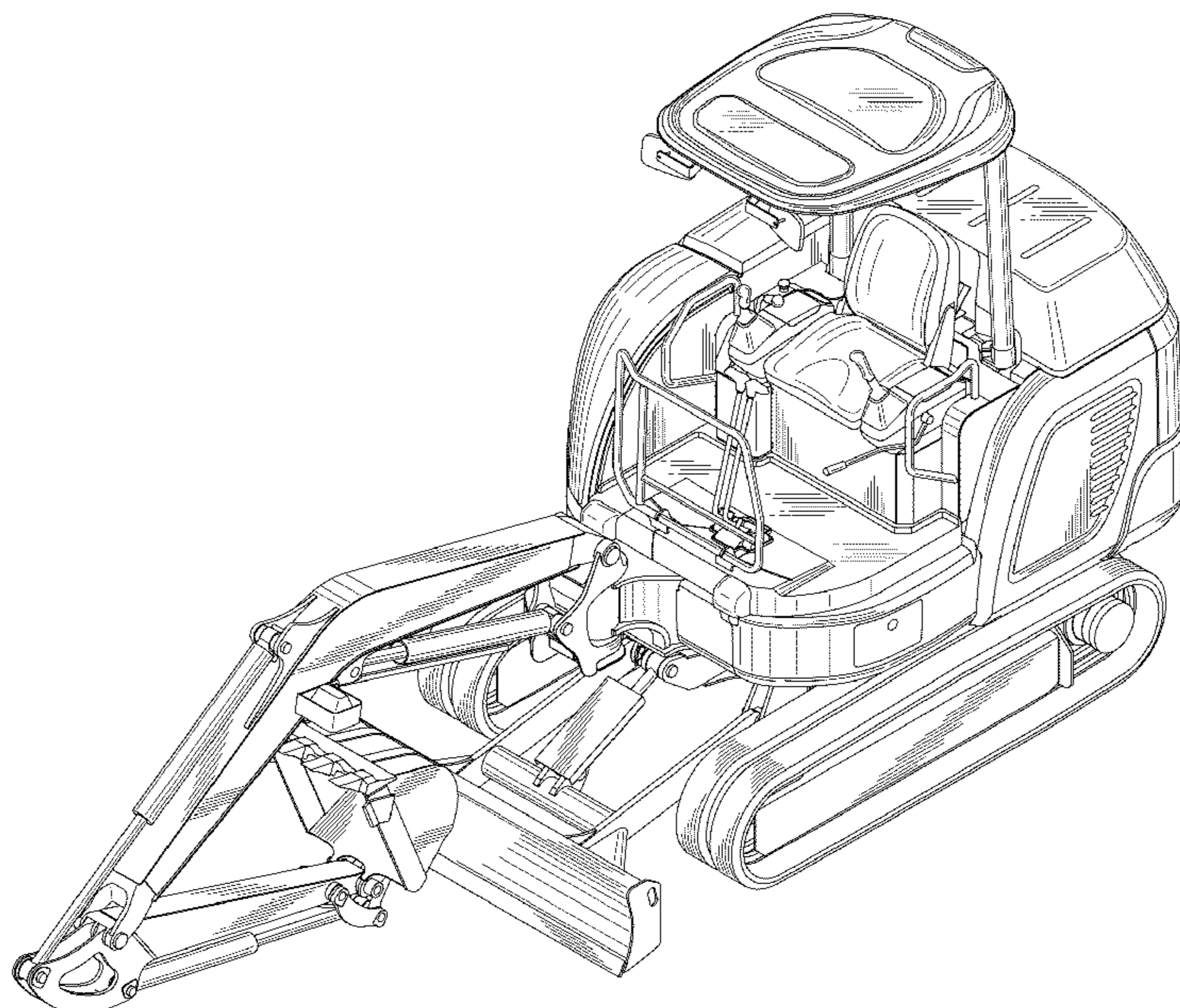
The ornamental design for a hydraulic excavator, as shown and described.

DESCRIPTION

The patent or application file contains at least one drawing executed in color. Copies of this patent or patent application publication with color drawing(s) will be provided by the Office upon request and payment of the necessary fee.

FIG. 1 is a front perspective view of a first embodiment of a hydraulic excavator showing my new design;
FIG. 2 is a rear perspective view thereof;
FIG. 3 is a right side elevational view thereof;
FIG. 4 is a left side elevational view thereof;
FIG. 5 is a top plan view thereof;
FIG. 6 is a rear elevational view thereof;
FIG. 7 is a front elevational view thereof;
FIG. 8 is a front perspective view of a second embodiment of a hydraulic excavator showing my new design;
FIG. 9 is a rear perspective view thereof;
FIG. 10 is a right side elevational view thereof;
FIG. 11 is a left side elevational view thereof;
FIG. 12 is a top plan view thereof;
FIG. 13 is a rear elevational view thereof; and,
FIG. 14 is a front elevational view thereof.

1 Claim, 14 Drawing Sheets
(7 of 14 Drawing Sheet(s) Filed in Color)



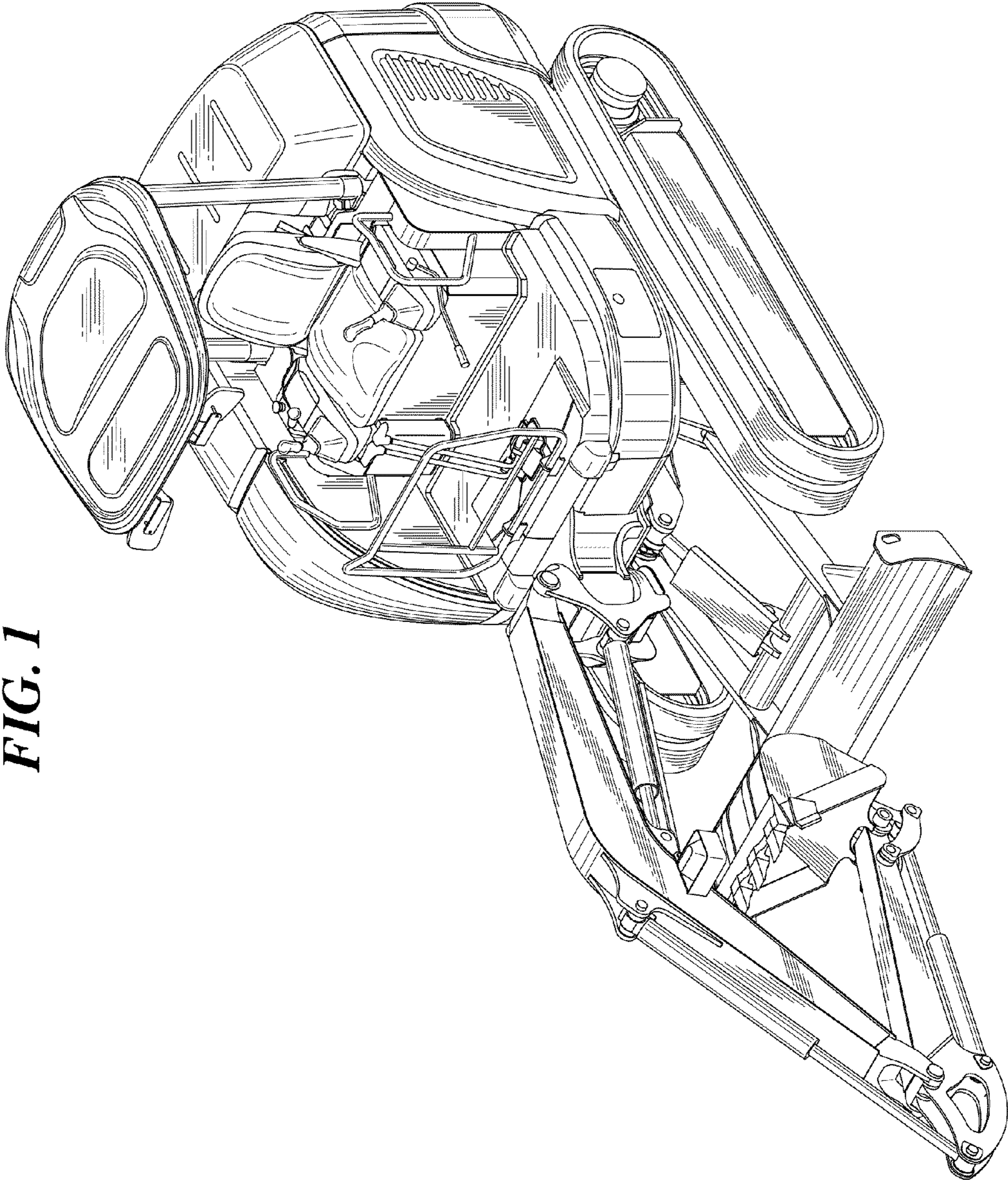
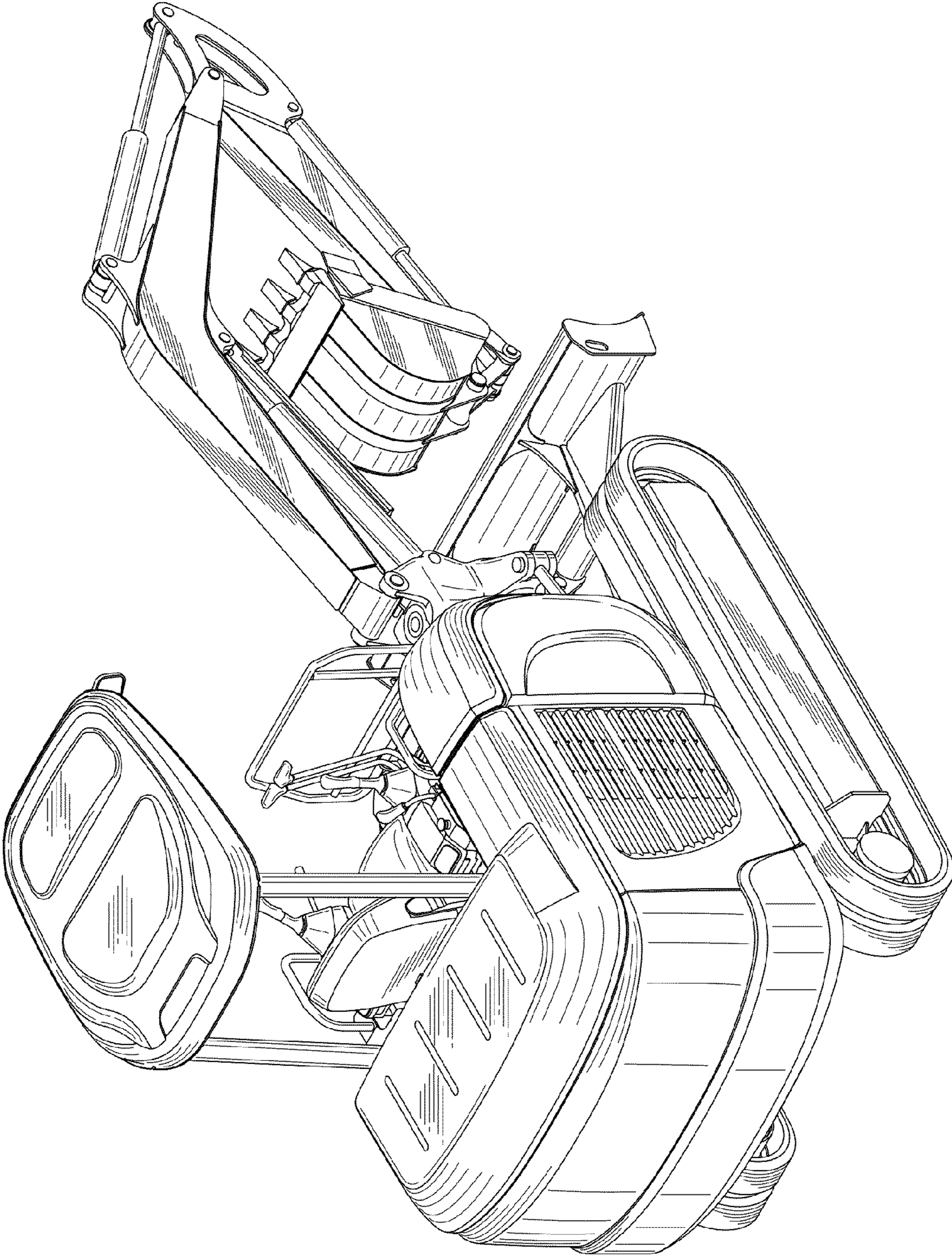


FIG. 1

FIG. 2



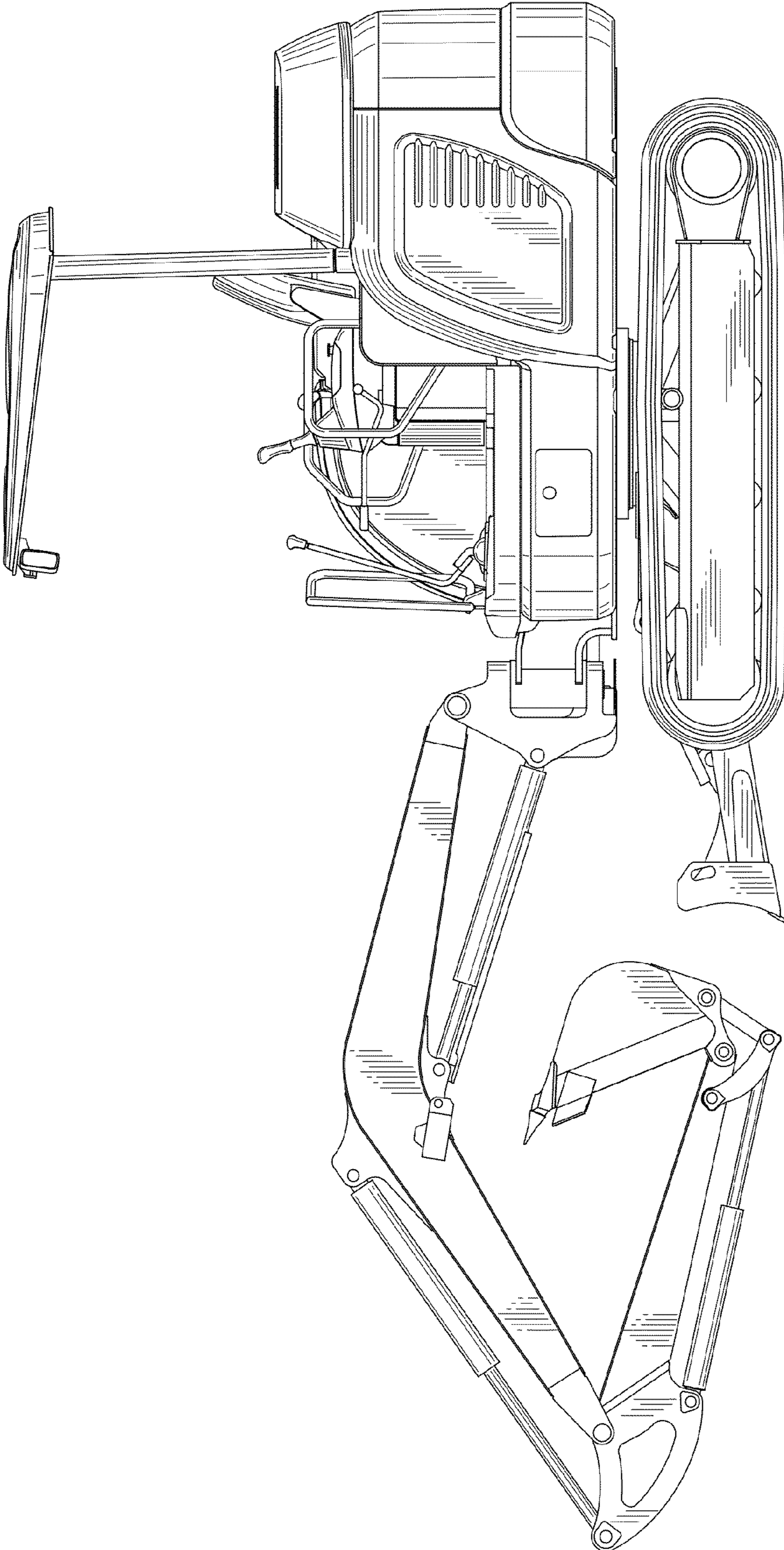


FIG. 3

FIG. 4

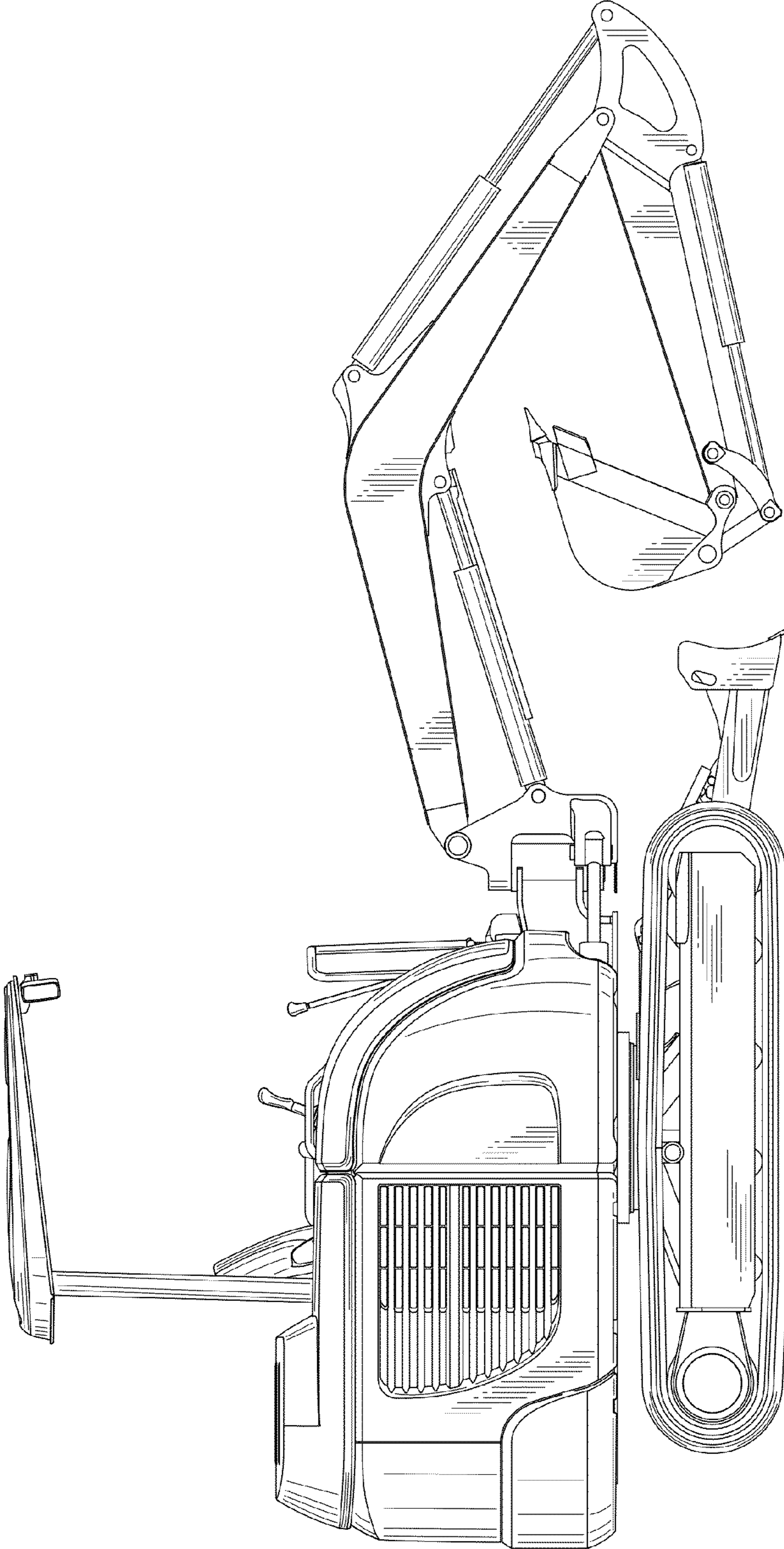


FIG. 5

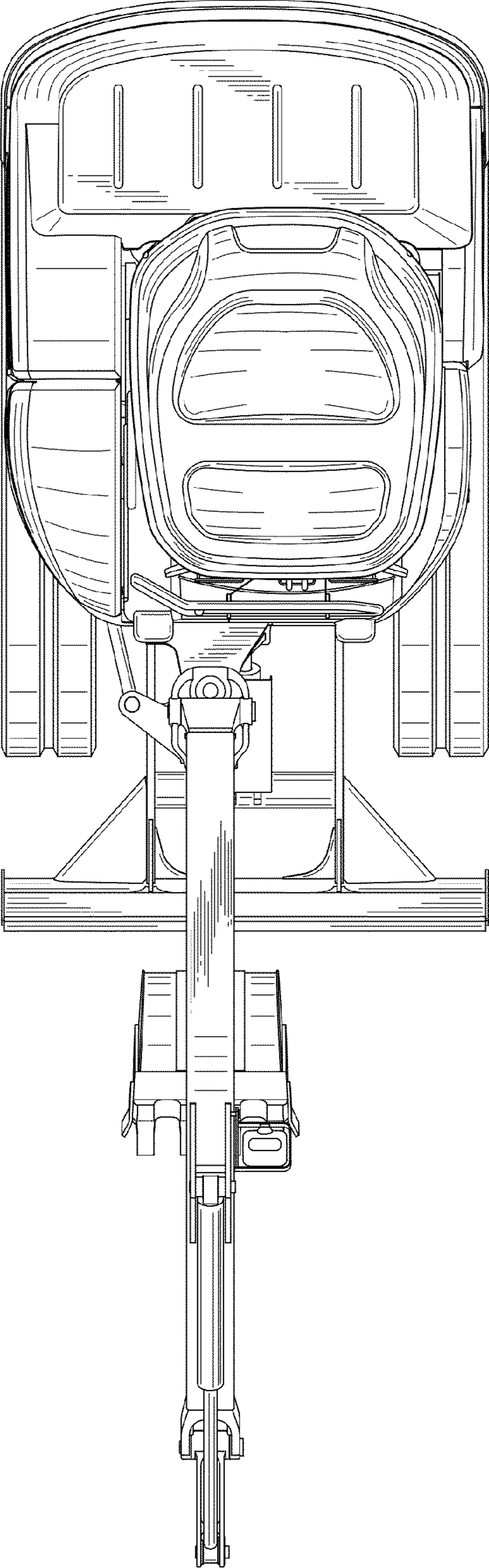


FIG. 6

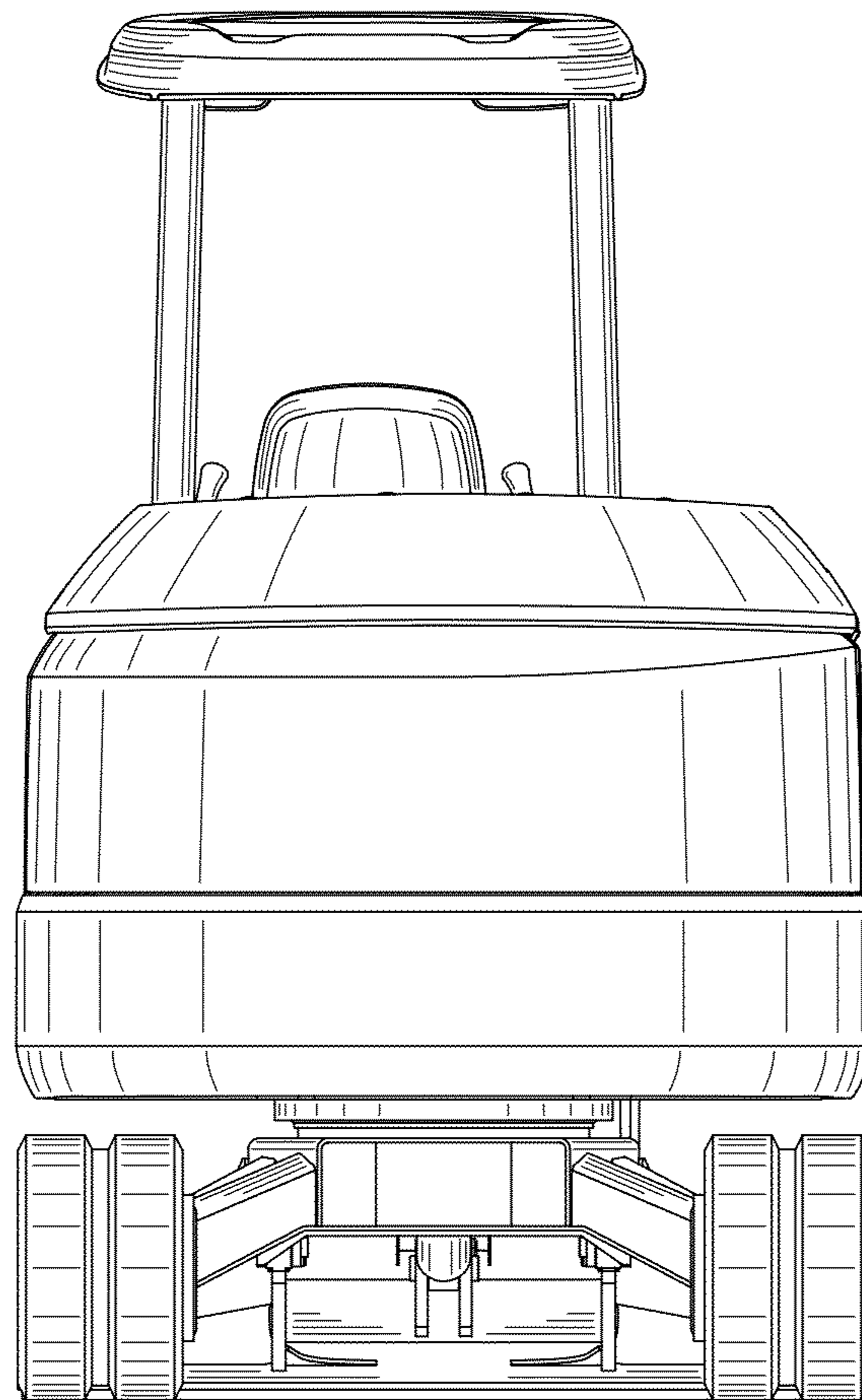
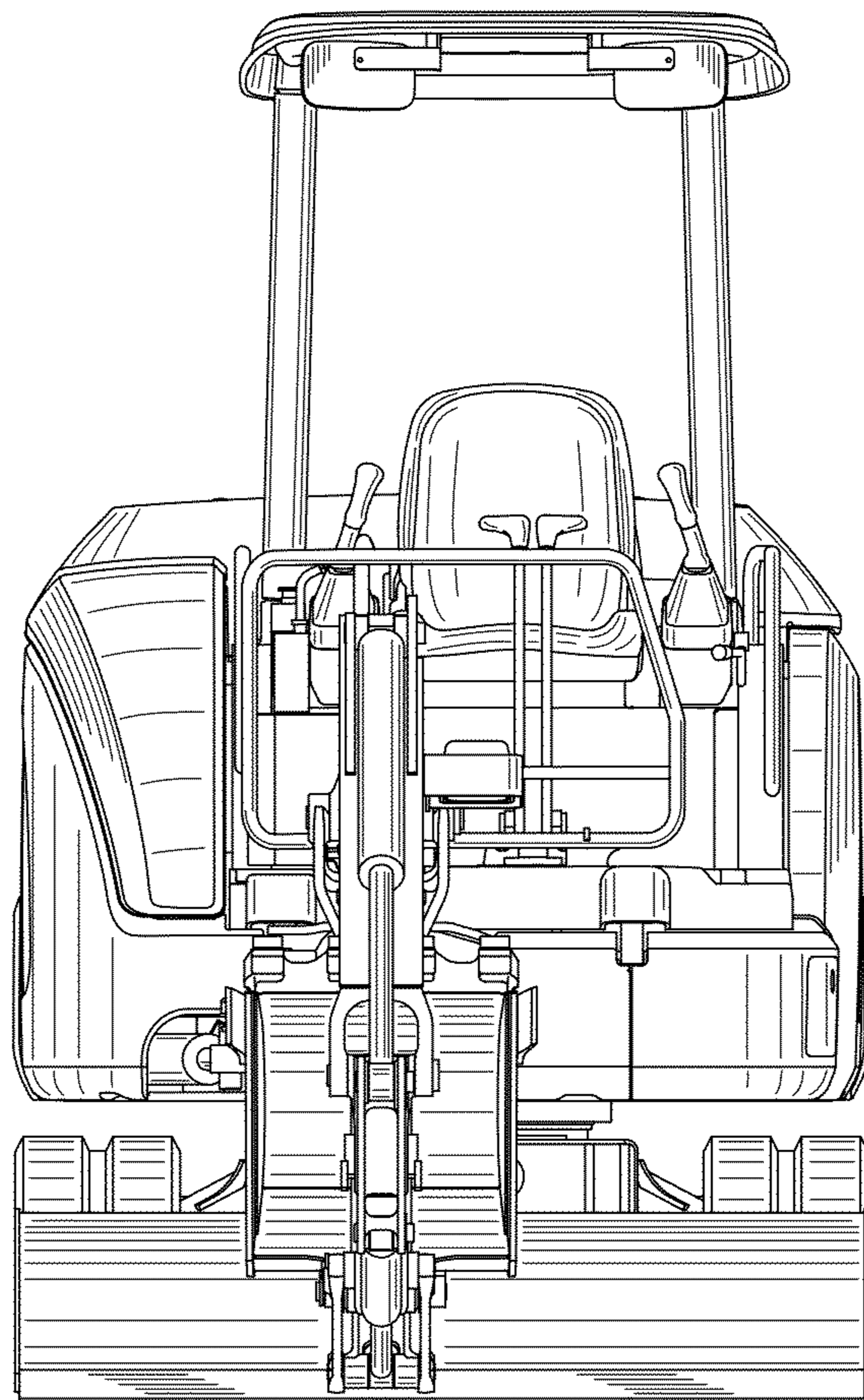


FIG. 7



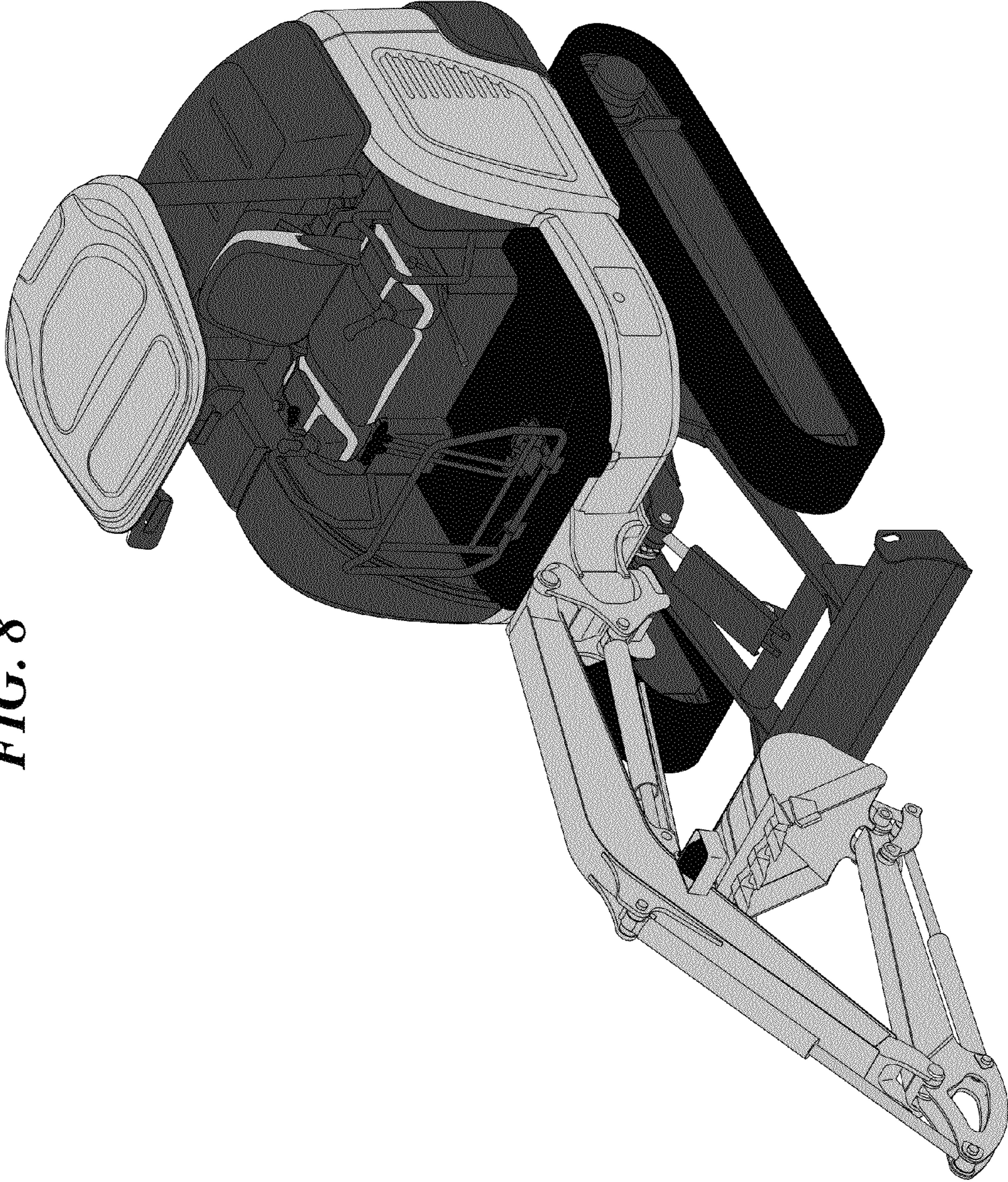
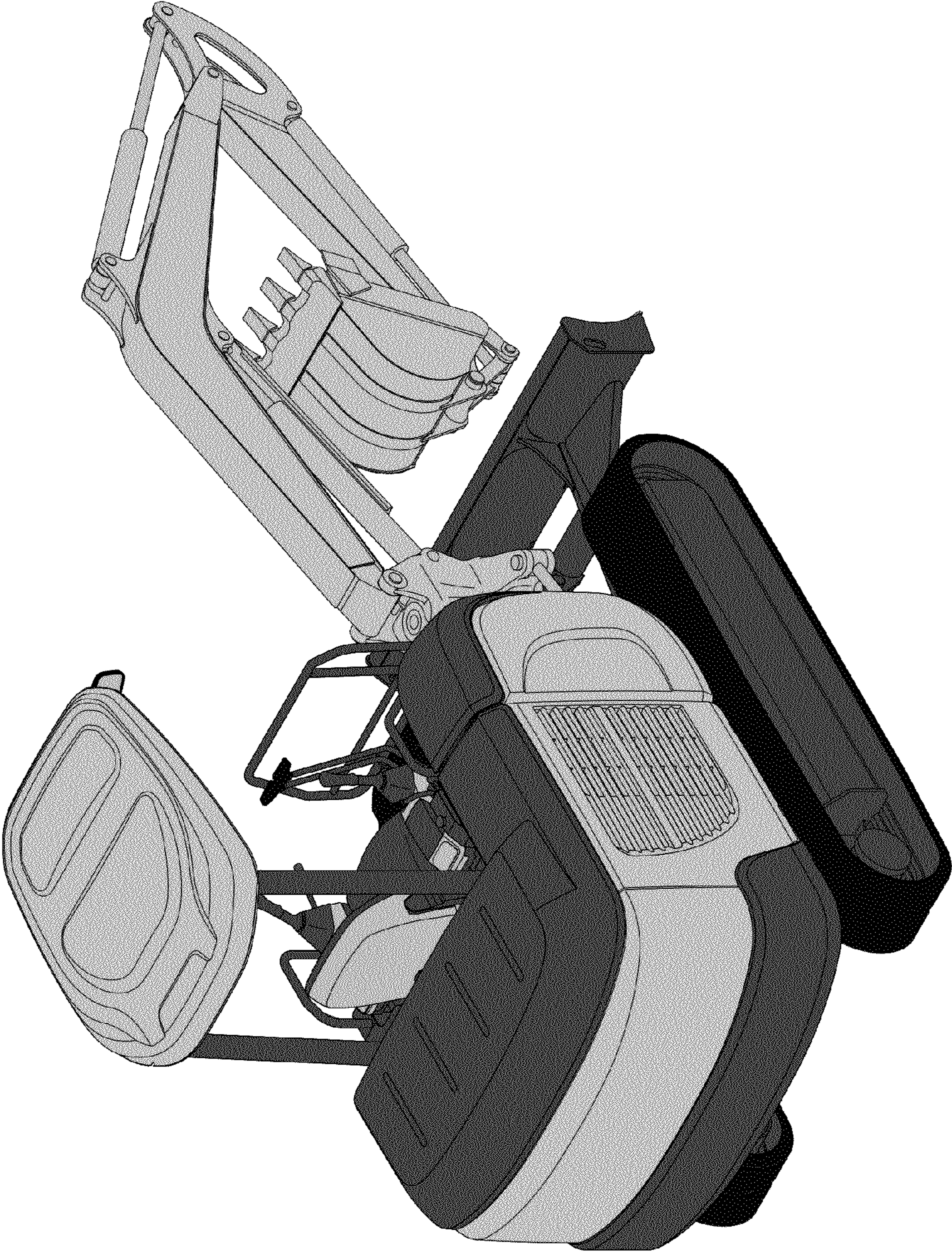


FIG. 8

FIG. 9



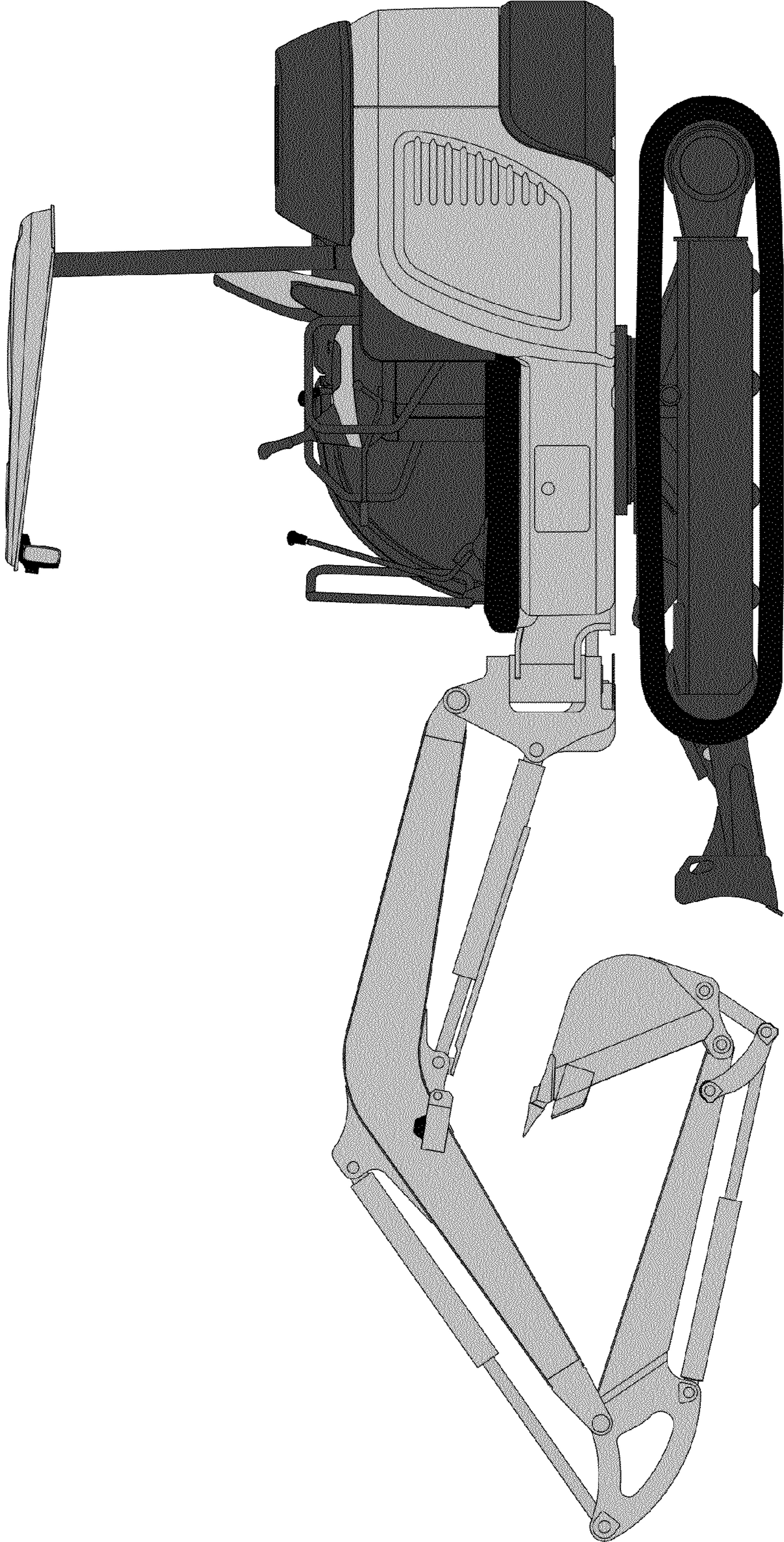


FIG. 10

FIG. 11

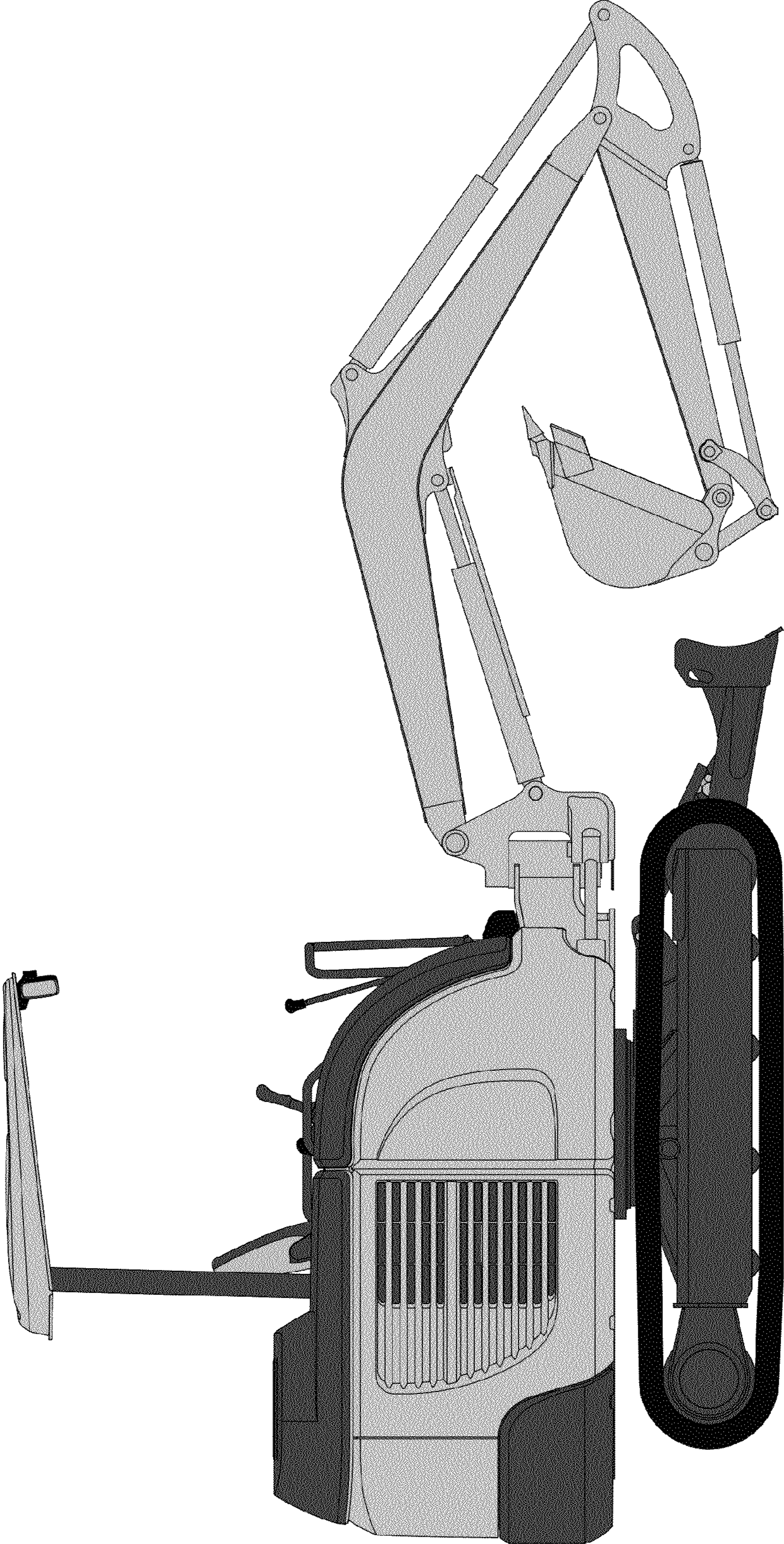


FIG. 12

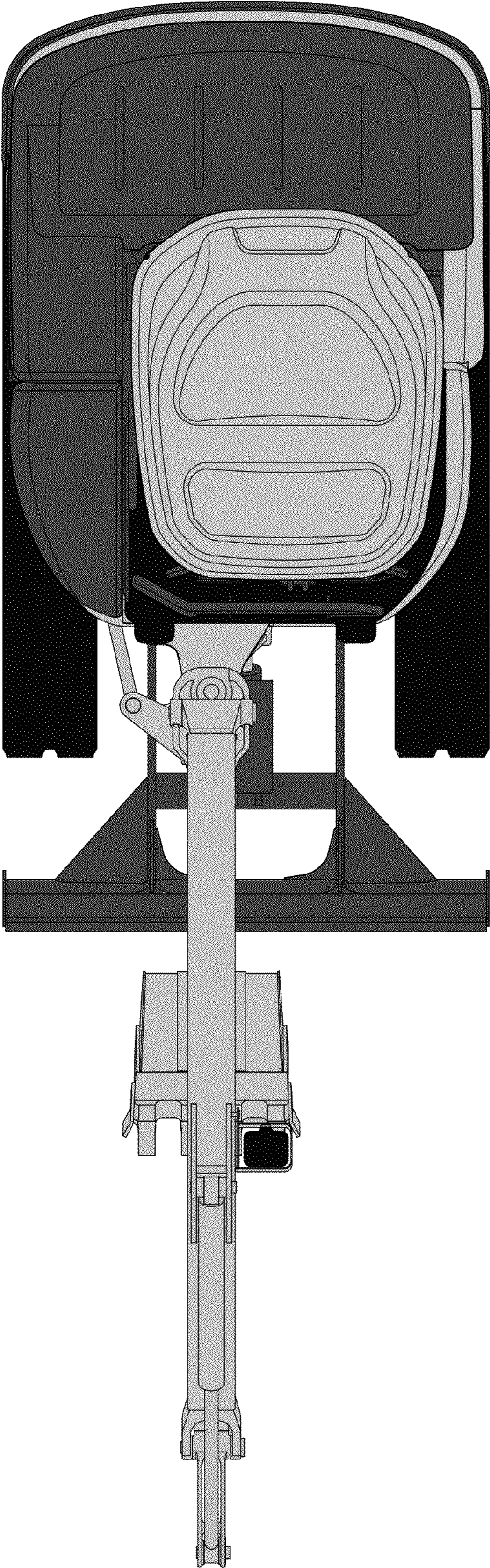


FIG. 13

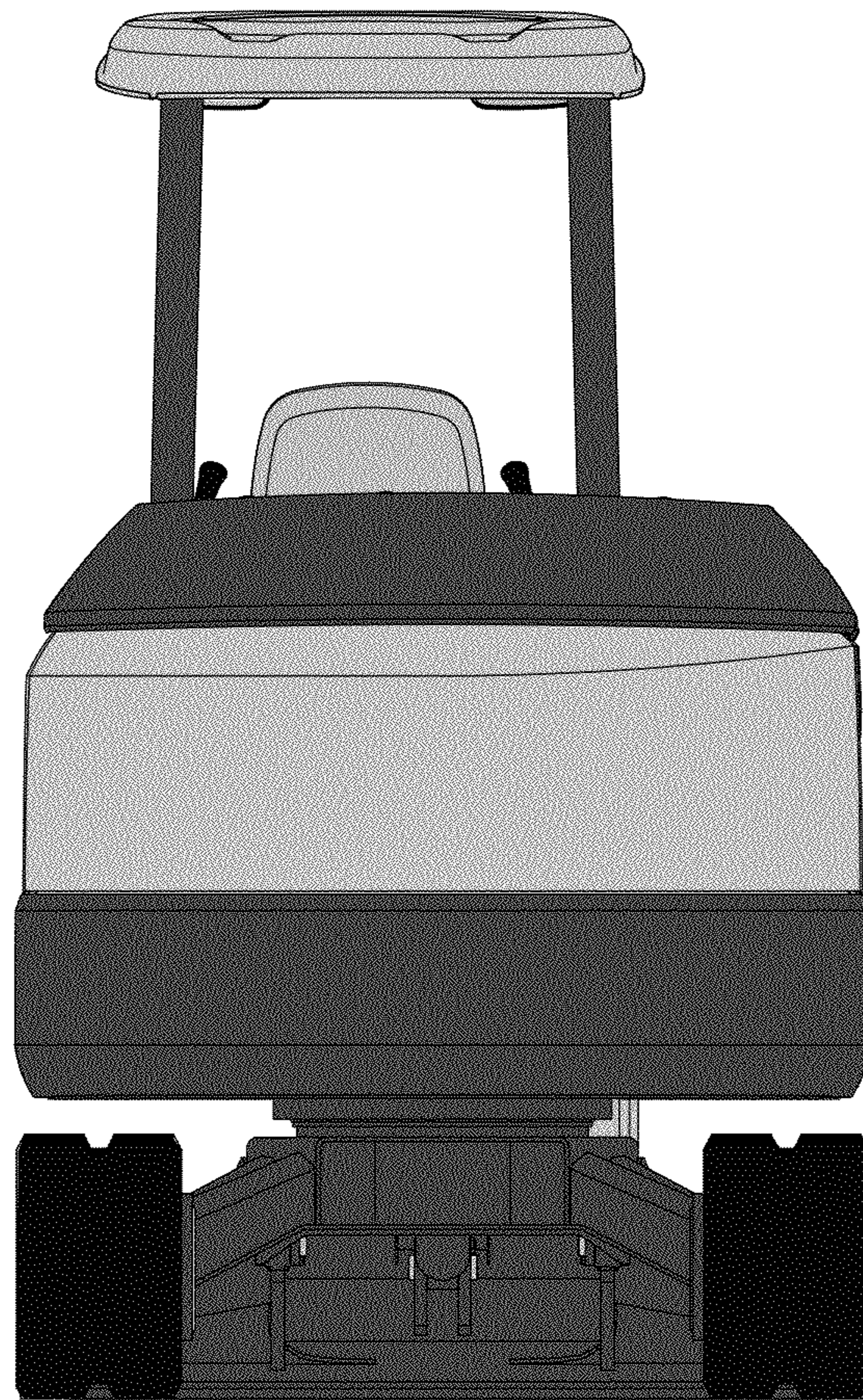


FIG. 14

