



US00D682890S

(12) **United States Design Patent**  
**Iwata et al.**

(10) **Patent No.:** **US D682,890 S**

(45) **Date of Patent:** **\*\* May 21, 2013**

(54) **WHEEL LOADER**

(75) Inventors: **Teruhisa Iwata**, Kawasaki (JP); **Kouhei Miyazaki**, Tokyo (JP)

(73) Assignee: **Komatsu Ltd** (JP)

(\*\*) Term: **14 Years**

(21) Appl. No.: **29/408,941**

(22) Filed: **Dec. 19, 2011**

(30) **Foreign Application Priority Data**

Jun. 21, 2011 (JP) ..... 2011-014023  
Jun. 21, 2011 (JP) ..... 2011-014024

(51) **LOC (9) Cl.** ..... **12-09**

(52) **U.S. Cl.**  
USPC ..... **D15/25**

(58) **Field of Classification Search** ..... D15/10,  
D15/22-26; 37/403, 411, 443, 379, 442,  
37/444-446, 310, 304, 341, 301; 414/685,  
414/686, 688, 722-724, 694, 812; 180/89.13,  
180/89.1, 89.2, 900, 89.19; 296/190, 202  
See application file for complete search history.

(56) **References Cited**

**U.S. PATENT DOCUMENTS**

4,705,449 A \* 11/1987 Christianson et al. .... 414/685  
D294,032 S \* 2/1988 Whiffin ..... D15/25  
D322,792 S \* 12/1991 Park ..... D15/25  
D326,858 S \* 6/1992 Skeel et al. .... D15/25  
5,273,375 A \* 12/1993 Plourde ..... 404/118  
D358,157 S \* 5/1995 Kusunoki et al. .... D15/25  
D359,497 S \* 6/1995 Rayner ..... D15/25  
D364,408 S \* 11/1995 Bryant et al. .... D15/25  
5,778,569 A \* 7/1998 Schaeff ..... 37/410  
D405,807 S \* 2/1999 Amy et al. .... D15/25  
D410,930 S \* 6/1999 Kim et al. .... D15/25  
D431,574 S \* 10/2000 Porter ..... D15/25  
D540,352 S \* 4/2007 Sato et al. .... D15/25

D549,738 S \* 8/2007 Hiraoka et al. .... D15/25  
D573,160 S \* 7/2008 Kato ..... D15/25  
D579,027 S \* 10/2008 Kato ..... D15/25  
D590,846 S \* 4/2009 Kinsinger et al. .... D15/25  
D636,000 S \* 4/2011 Kim et al. .... D15/25  
D652,061 S \* 1/2012 Hiraoka et al. .... D15/23  
D652,062 S \* 1/2012 Hiraoka et al. .... D15/23

\* cited by examiner

*Primary Examiner* — Mark Goodwin

(74) *Attorney, Agent, or Firm* — Fox Rothschild LLP

(57) **CLAIM**

The ornamental design for a wheel loader, as shown and described.

**DESCRIPTION**

The patent or application file contains at least one drawing executed in color. Copies of this patent or patent application publication with color drawing(s) will be provided by the Office upon request and payment of the necessary fee.

FIG. 1 is a front perspective view of a first embodiment of a wheel loader showing our new design;

FIG. 2 is a rear perspective view thereof;

FIG. 3 is a right side elevational view thereof;

FIG. 4 is a left side elevational view thereof;

FIG. 5 is a top plan view thereof;

FIG. 6 is a rear elevational view thereof;

FIG. 7 is a front elevational view thereof;

FIG. 8 is a front perspective view of a second embodiment of a wheel loader showing our new design;

FIG. 9 is a rear perspective view thereof;

FIG. 10 is a right side elevational view thereof;

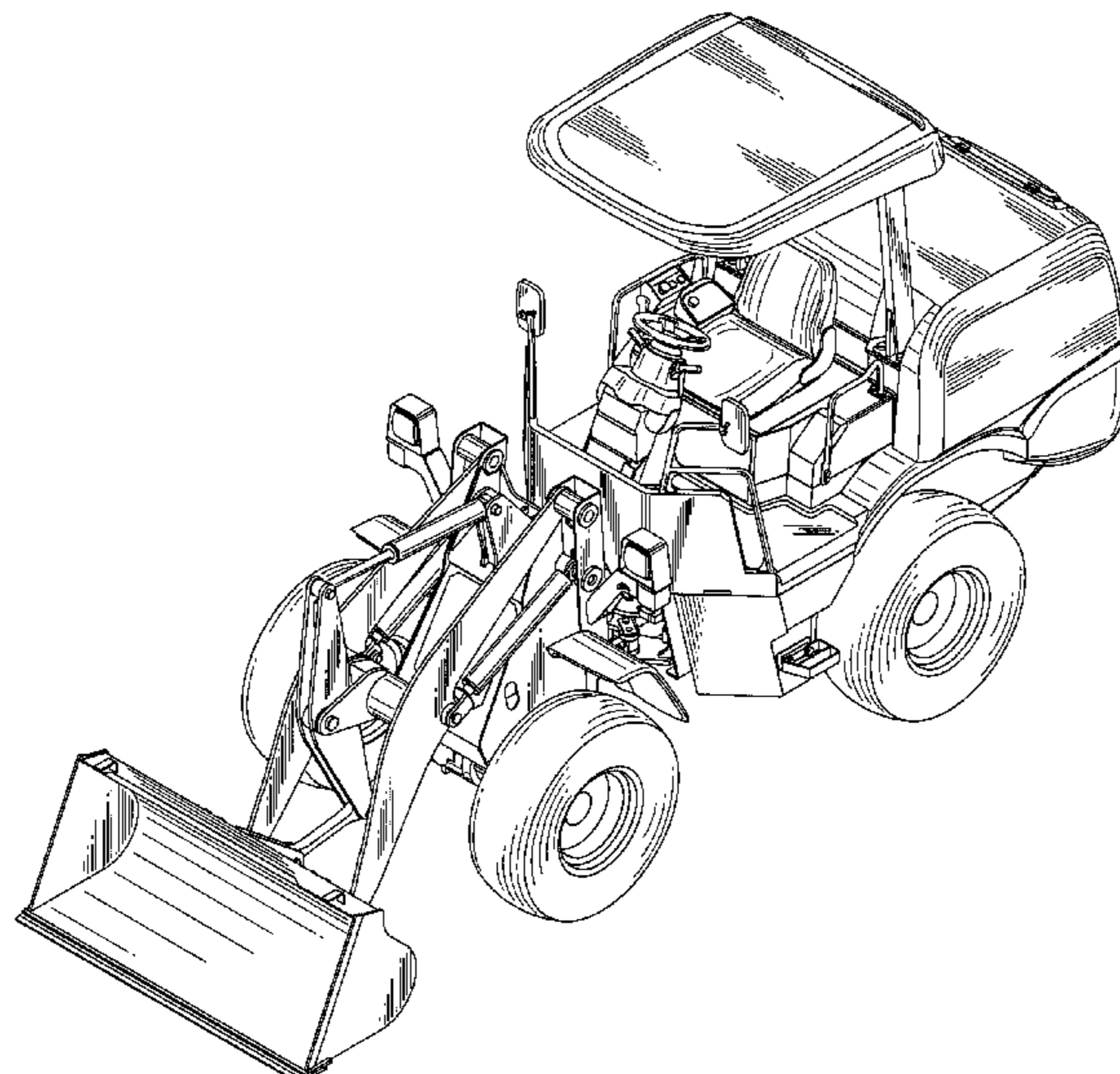
FIG. 11 is a left side elevational view thereof;

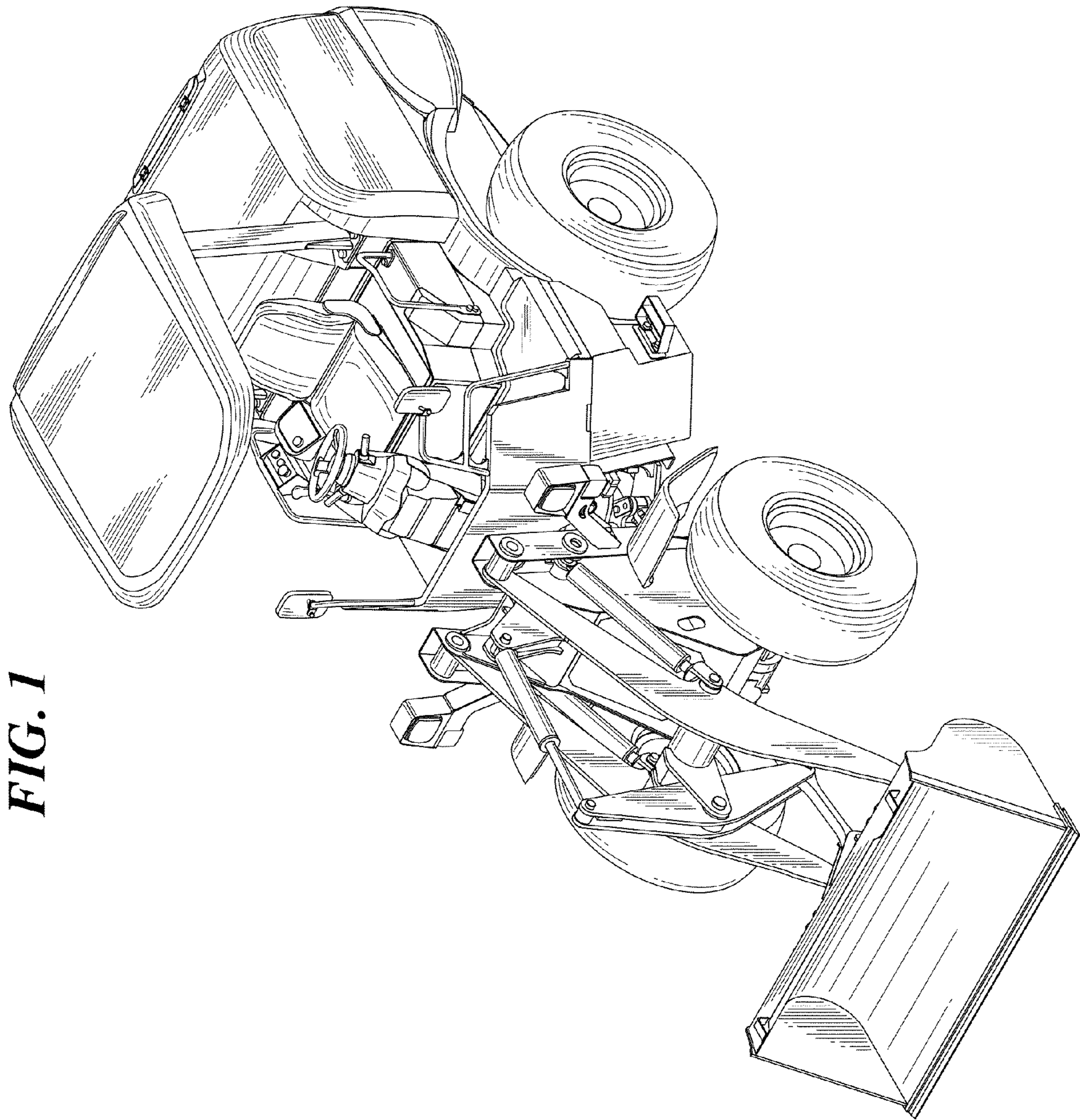
FIG. 12 is a top plan view thereof;

FIG. 13 is a rear elevational view thereof; and,

FIG. 14 is a front elevational view thereof.

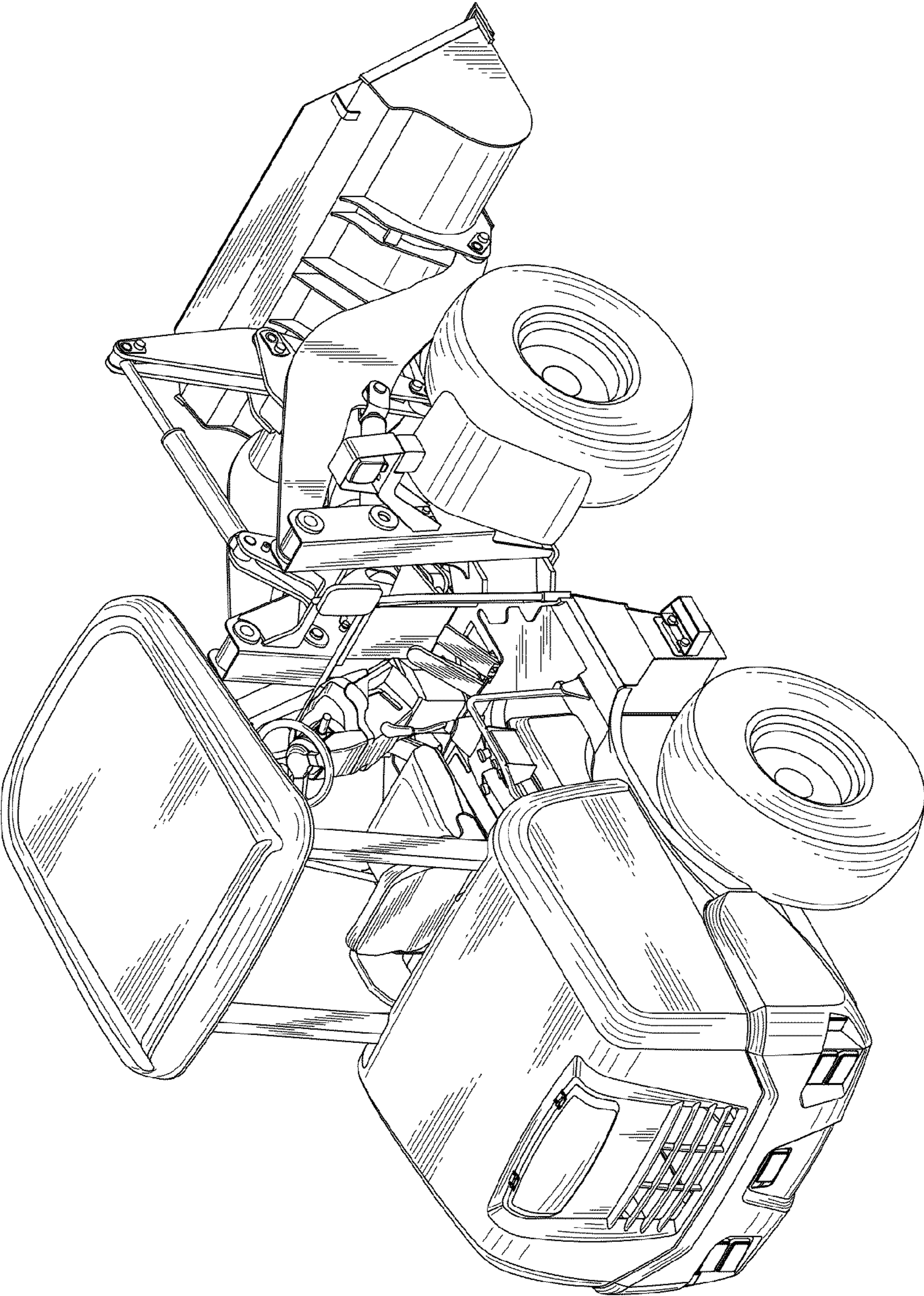
**1 Claim, 14 Drawing Sheets**  
**(7 of 14 Drawing Sheet(s) Filed in Color)**



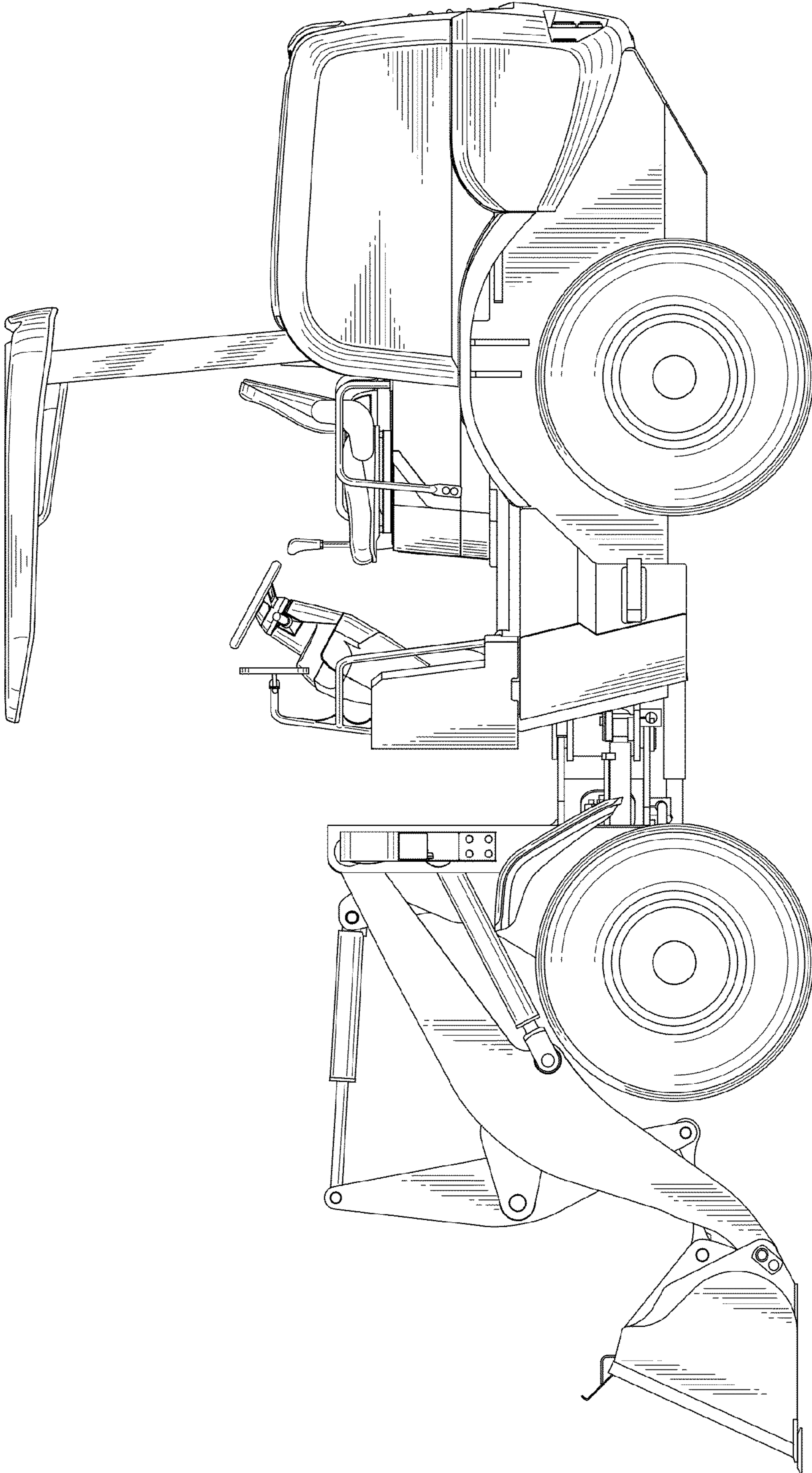


**FIG. 1**

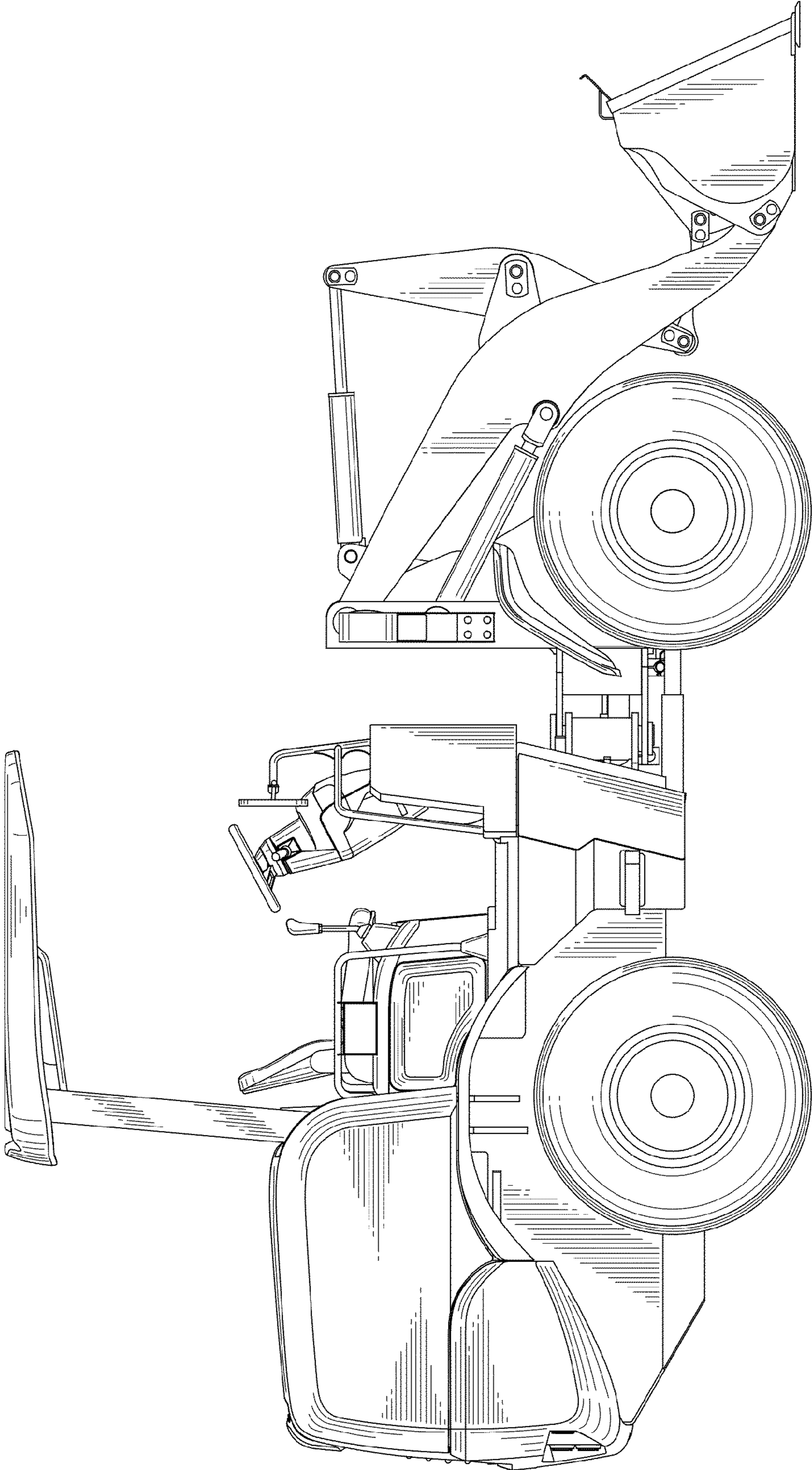
**FIG. 2**



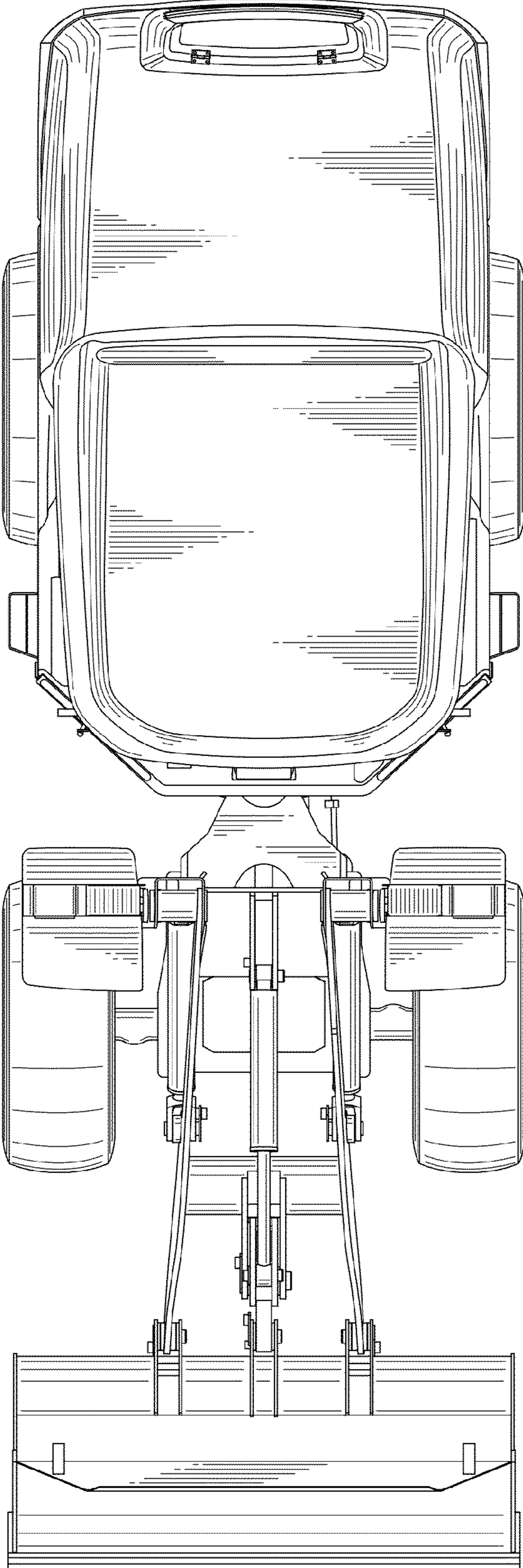
**FIG. 3**



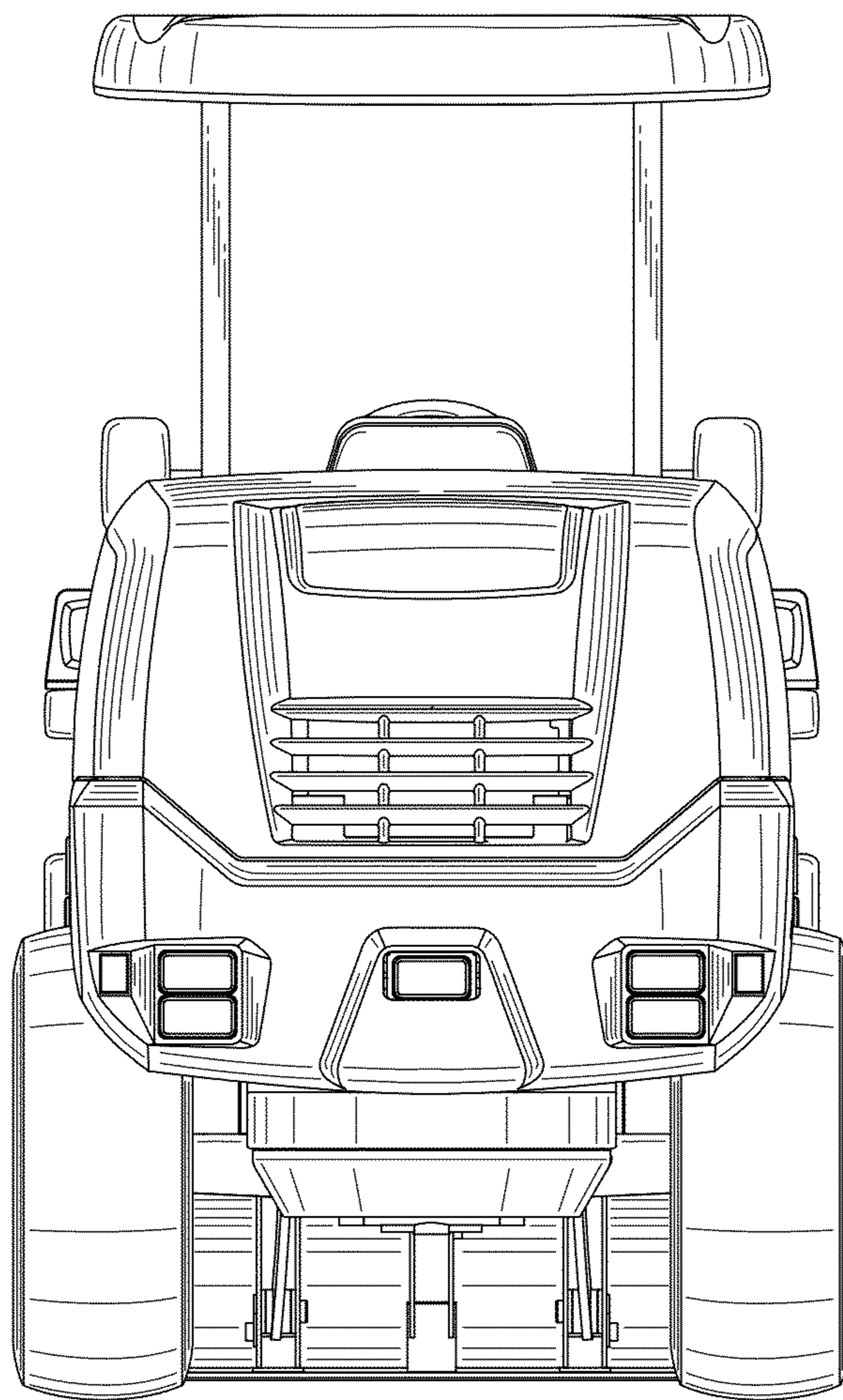
**FIG. 4**



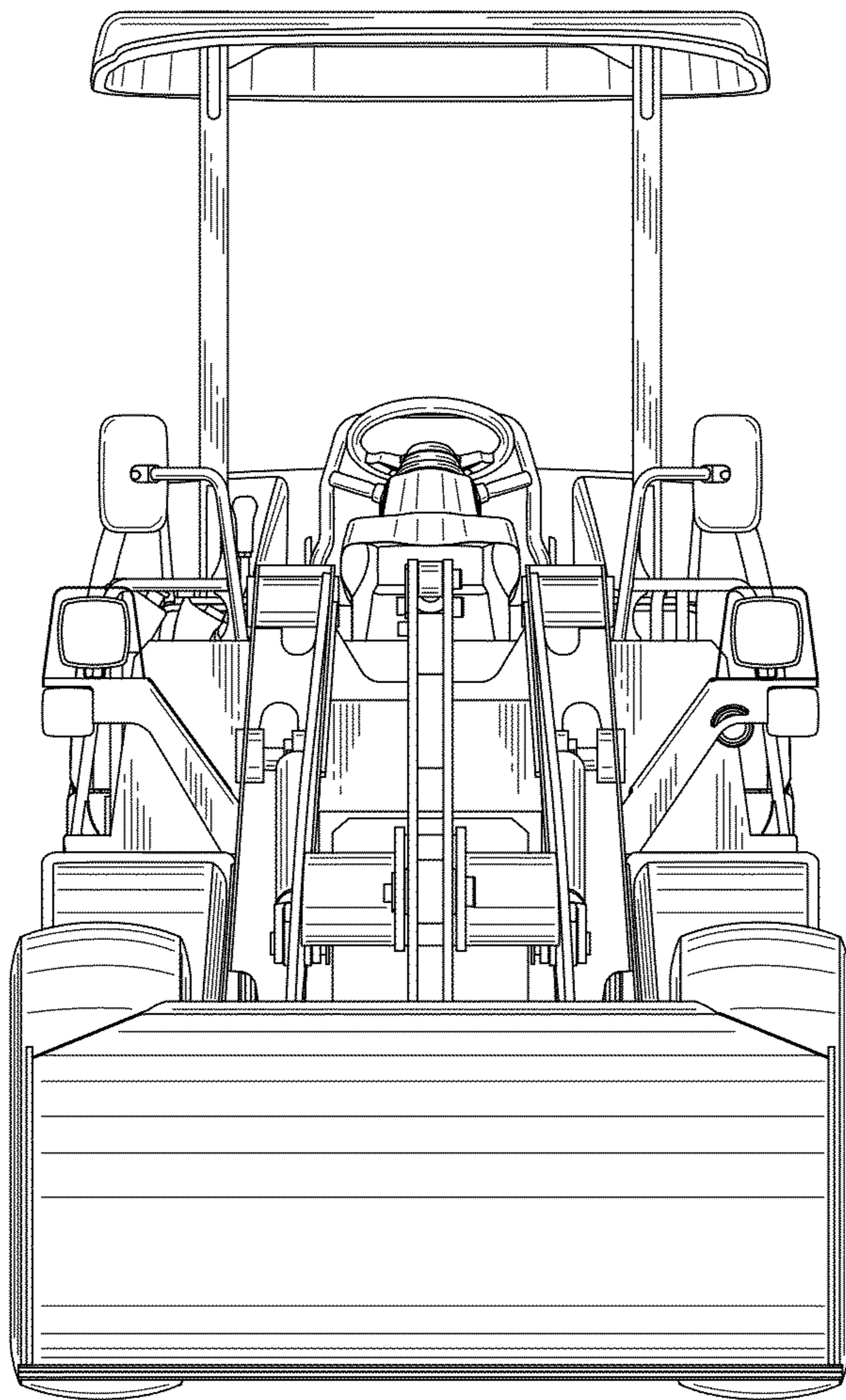
**FIG. 5**



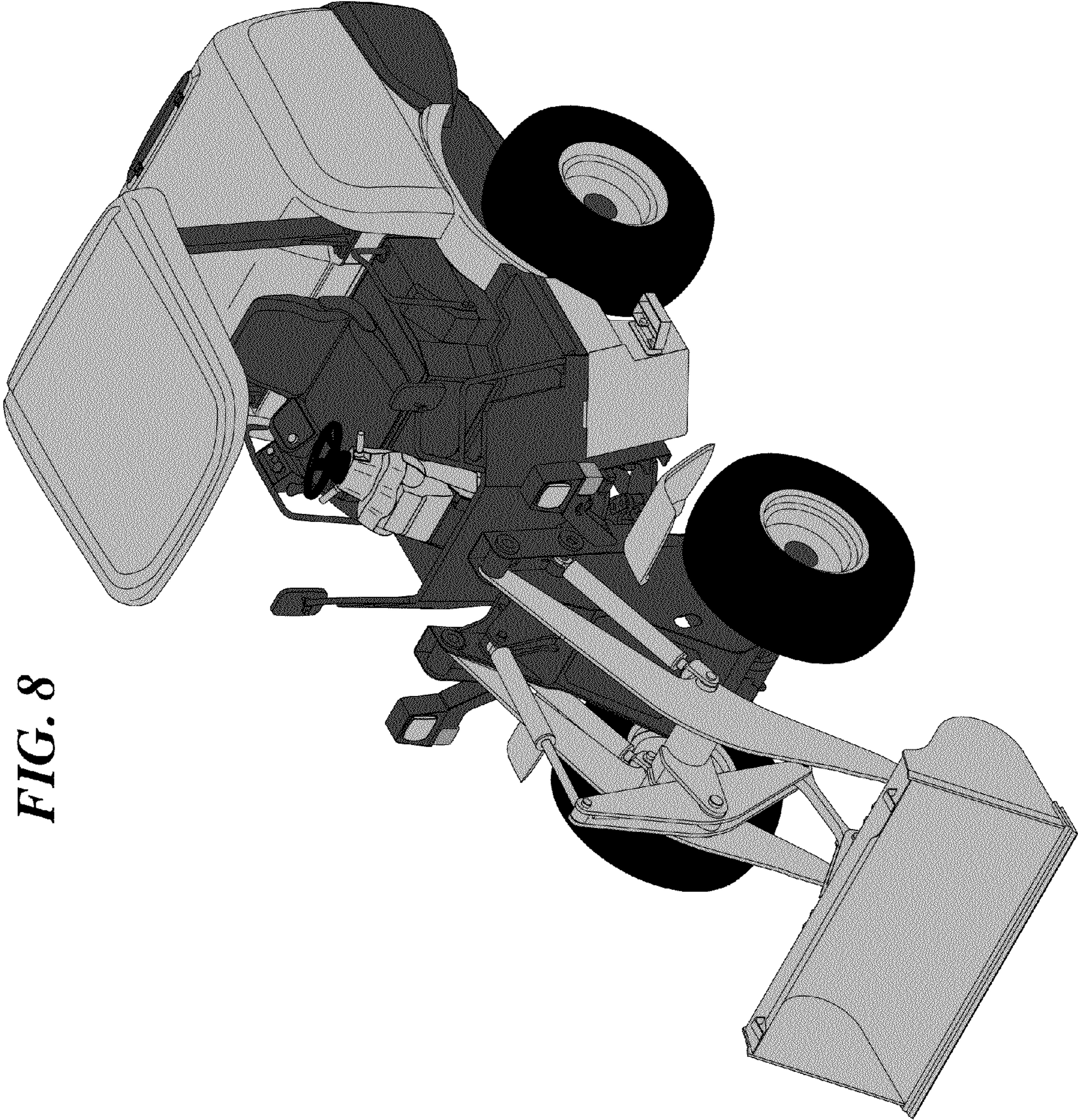
**FIG. 6**



***FIG. 7***

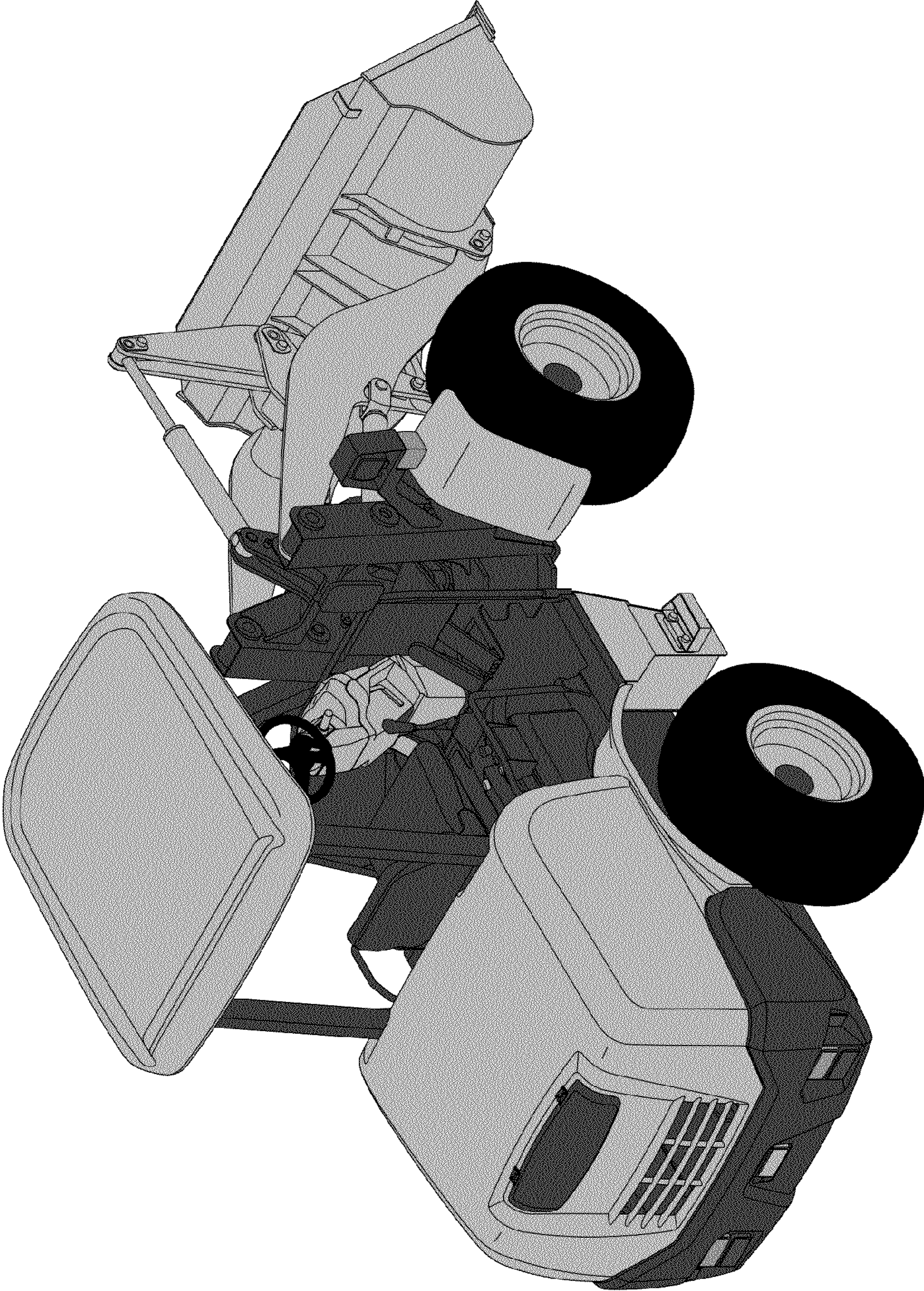




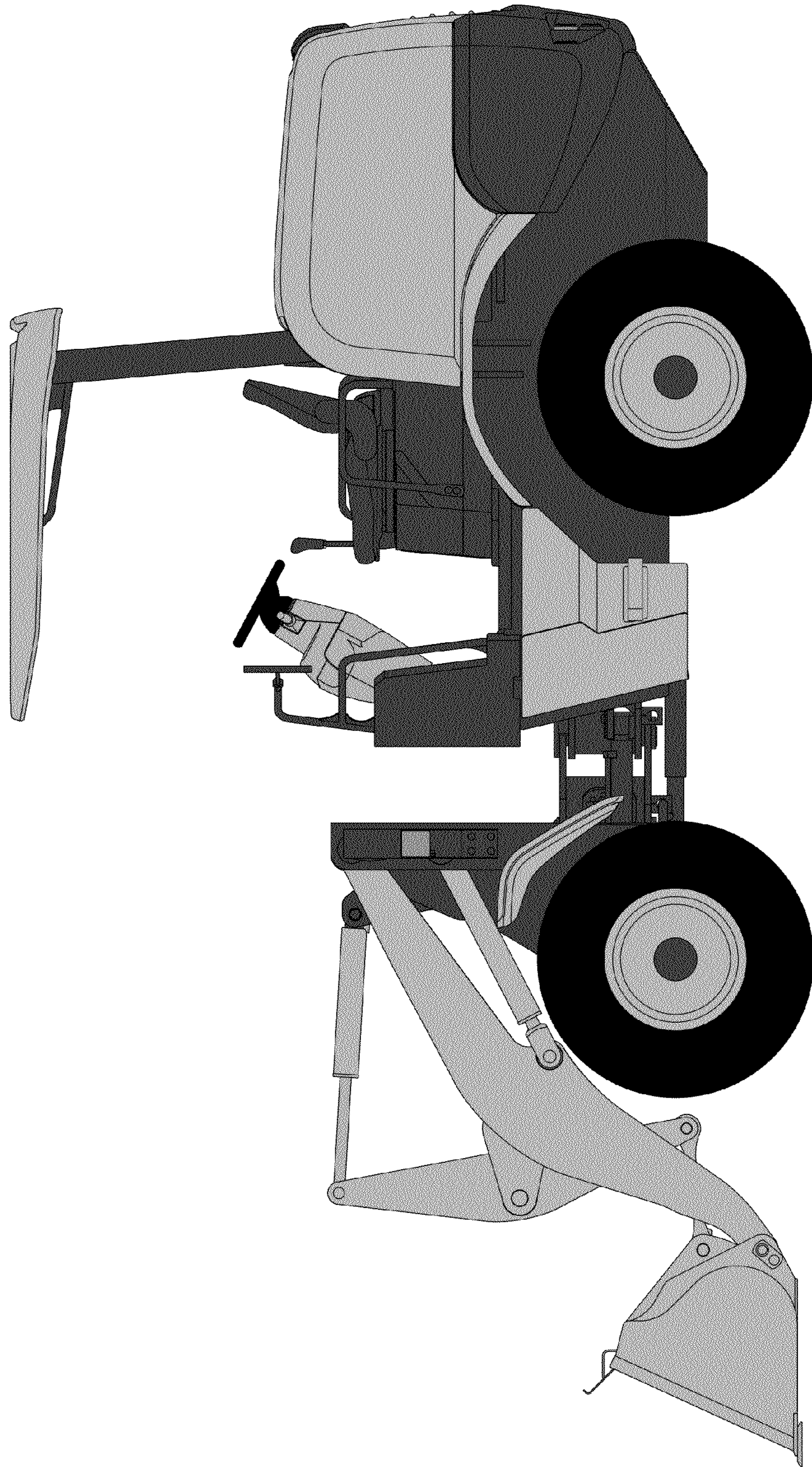


**FIG. 8**

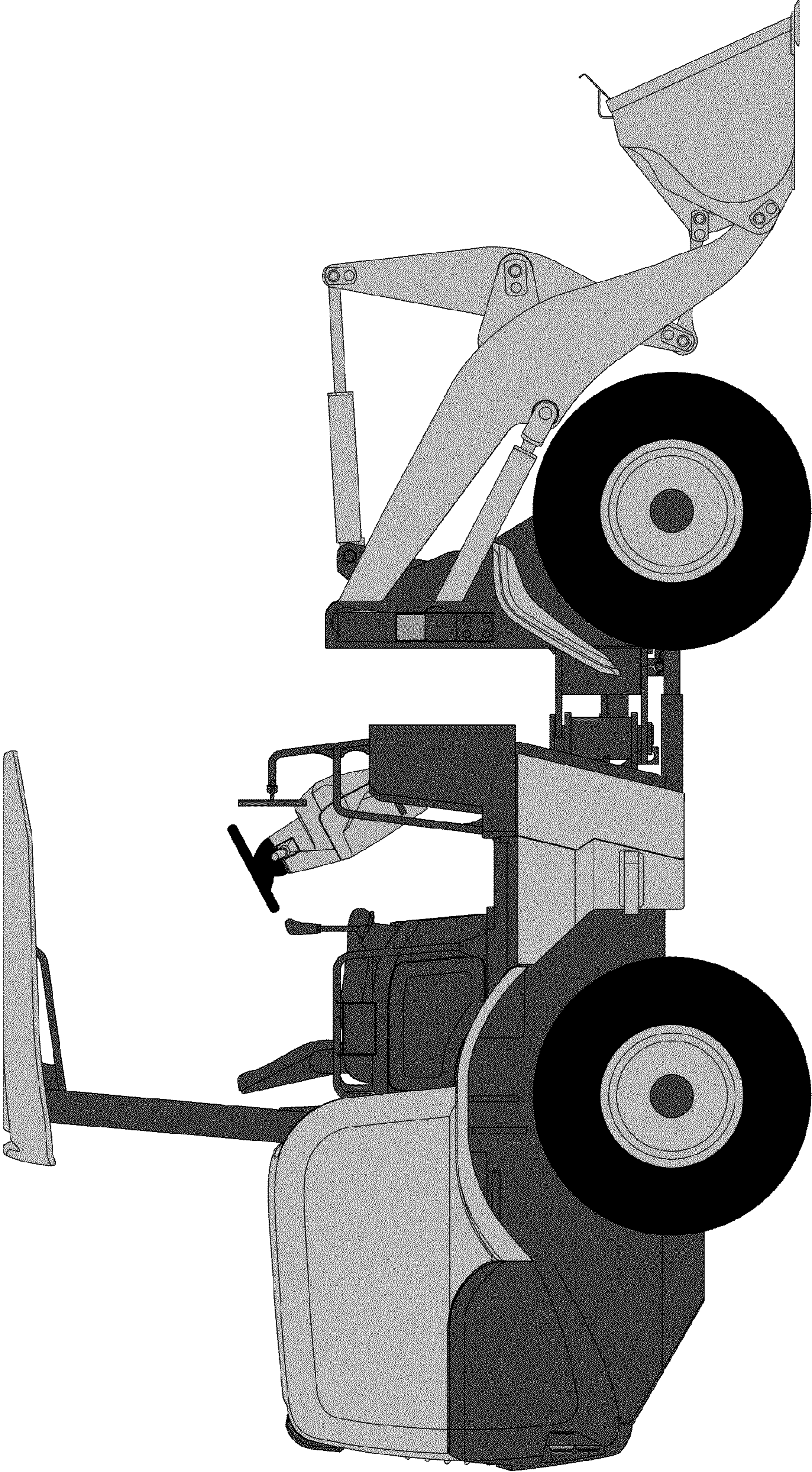
*FIG. 9*



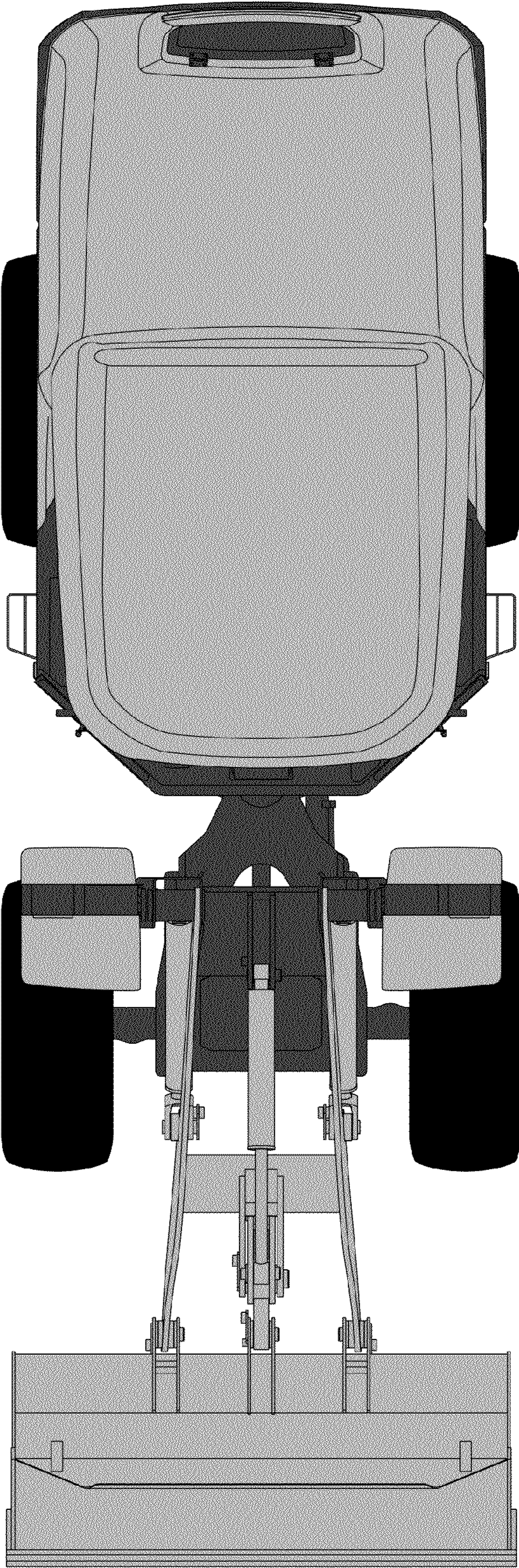
**FIG. 10**



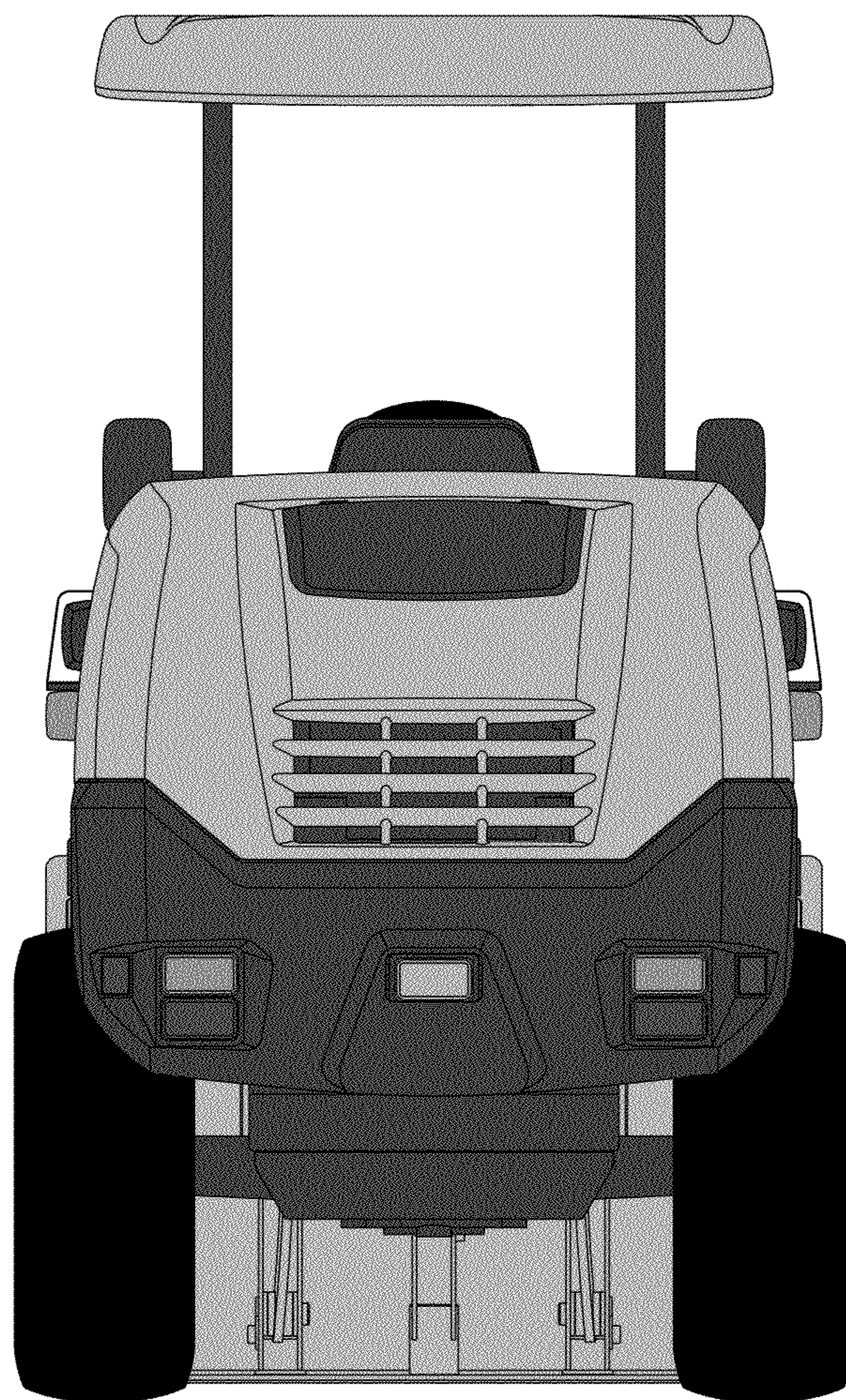
*FIG. 11*



*FIG. 12*



*FIG. 13*



*FIG. 14*

