



US00D682889S

(12) **United States Design Patent**  
**Iwata**

(10) **Patent No.:** **US D682,889 S**

(45) **Date of Patent:** **\*\* May 21, 2013**

(54) **WHEEL LOADER**

(75) Inventor: **Teruhisa Iwata**, Kawasaki (JP)

(73) Assignee: **Komatsu Ltd** (JP)

(\*\*) Term: **14 Years**

(21) Appl. No.: **29/406,131**

(22) Filed: **Nov. 10, 2011**

(30) **Foreign Application Priority Data**

May 12, 2011 (JP) ..... 2011-010682  
May 12, 2011 (JP) ..... 2011-010692

(51) **LOC (9) Cl.** ..... **12-09**

(52) **U.S. Cl.**  
USPC ..... **D15/25**

(58) **Field of Classification Search** ..... D15/10,  
D15/22-26; 37/403, 411, 443, 379, 442,  
37/444-446, 310, 304, 341, 301; 414/685,  
414/686, 688, 722-724, 694, 812; 180/89.13,  
180/89.1, 89.2, 900, 89.19; 296/190, 202  
See application file for complete search history.

(56) **References Cited**

**U.S. PATENT DOCUMENTS**

4,705,449	A *	11/1987	Christianson et al.	.....	414/685
D294,032	S *	2/1988	Whiffin	.....	D15/25
D322,792	S *	12/1991	Park	.....	D15/25
D326,858	S *	6/1992	Skeel et al.	.....	D15/25
5,273,375	A *	12/1993	Plourde	.....	404/118
D358,157	S *	5/1995	Kusunoki et al.	.....	D15/25
D359,497	S *	6/1995	Rayner	.....	D15/25
D364,408	S *	11/1995	Bryant et al.	.....	D15/25
5,778,569	A *	7/1998	Schaeff	.....	37/410
D405,807	S *	2/1999	Amy et al.	.....	D15/25
D410,930	S *	6/1999	Kim et al.	.....	D15/25
D431,574	S *	10/2000	Porter	.....	D15/25
D540,352	S *	4/2007	Sato et al.	.....	D15/25

D549,738	S *	8/2007	Hiraoka et al.	.....	D15/25
D573,160	S *	7/2008	Kato	.....	D15/25
D579,027	S *	10/2008	Kato	.....	D15/25
D590,846	S *	4/2009	Kinsinger et al.	.....	D15/25
D636,000	S *	4/2011	Kim et al.	.....	D15/25
D652,061	S *	1/2012	Hiraoka et al.	.....	D15/23
D652,062	S *	1/2012	Hiraoka et al.	.....	D15/23

\* cited by examiner

*Primary Examiner* — Mark Goodwin

(74) *Attorney, Agent, or Firm* — Fox Rothschild LLP

(57) **CLAIM**

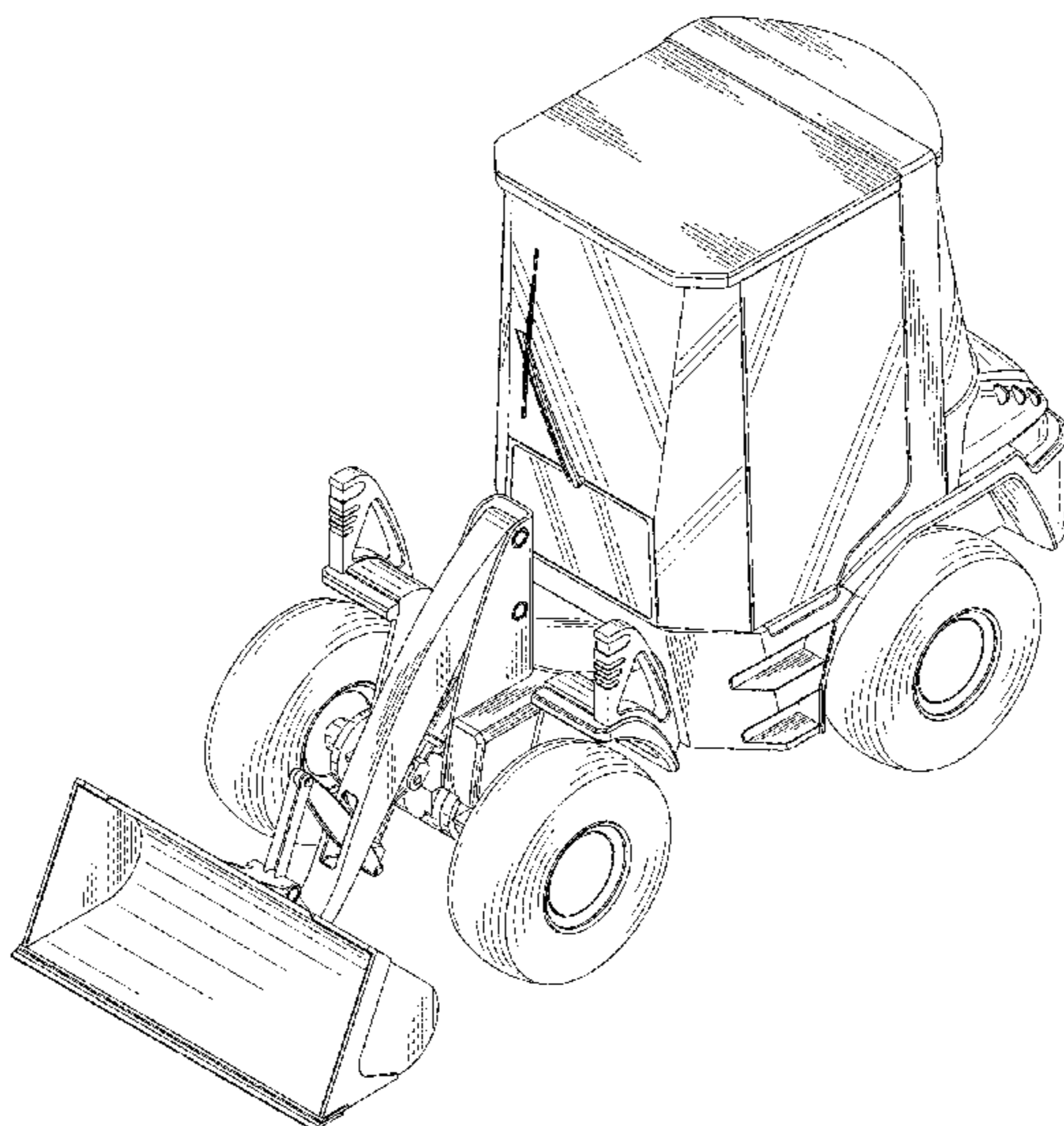
The ornamental design for a wheel loader, as shown and described.

**DESCRIPTION**

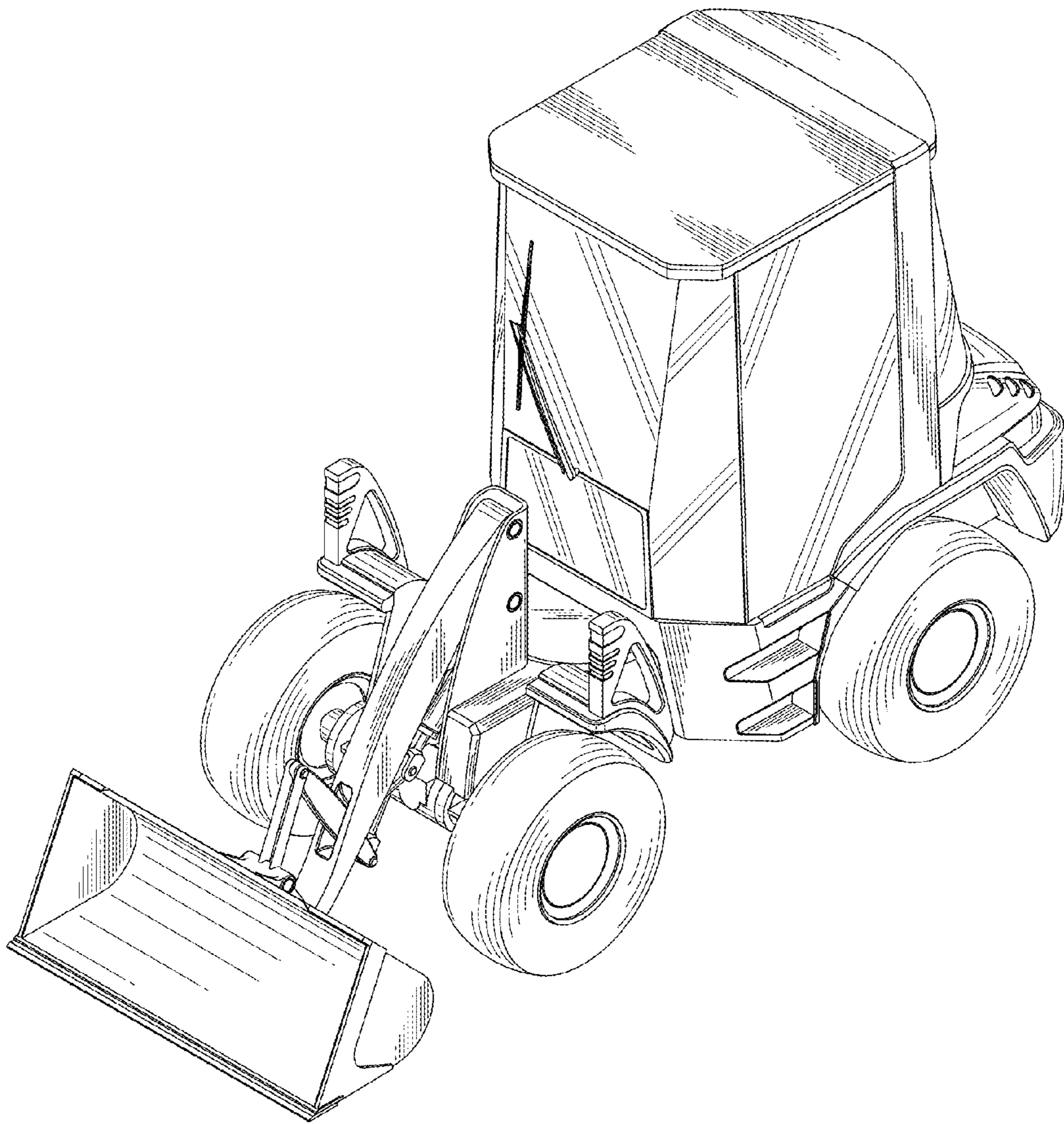
The patent or application file contains at least one drawing executed in color. Copies of this patent or patent application publication with color drawing(s) will be provided by the Office upon request and payment of the necessary fee.

FIG. 1 is a front perspective view of a first embodiment of a wheel loader showing my new design;  
FIG. 2 is a rear perspective view thereof;  
FIG. 3 is a right side elevational view thereof;  
FIG. 4 is a left side elevational view thereof;  
FIG. 5 is a top plan view thereof;  
FIG. 6 is a rear elevational view thereof;  
FIG. 7 is a front elevational view thereof;  
FIG. 8 is a front perspective view of a second embodiment of a wheel loader showing my new design;  
FIG. 9 is a rear perspective view thereof;  
FIG. 10 is a right side elevational view thereof;  
FIG. 11 is a left side elevational view thereof;  
FIG. 12 is a top plan view thereof;  
FIG. 13 is a rear elevational view thereof; and,  
FIG. 14 is a front elevational view thereof.

**1 Claim, 14 Drawing Sheets**  
**(7 of 14 Drawing Sheet(s) Filed in Color)**

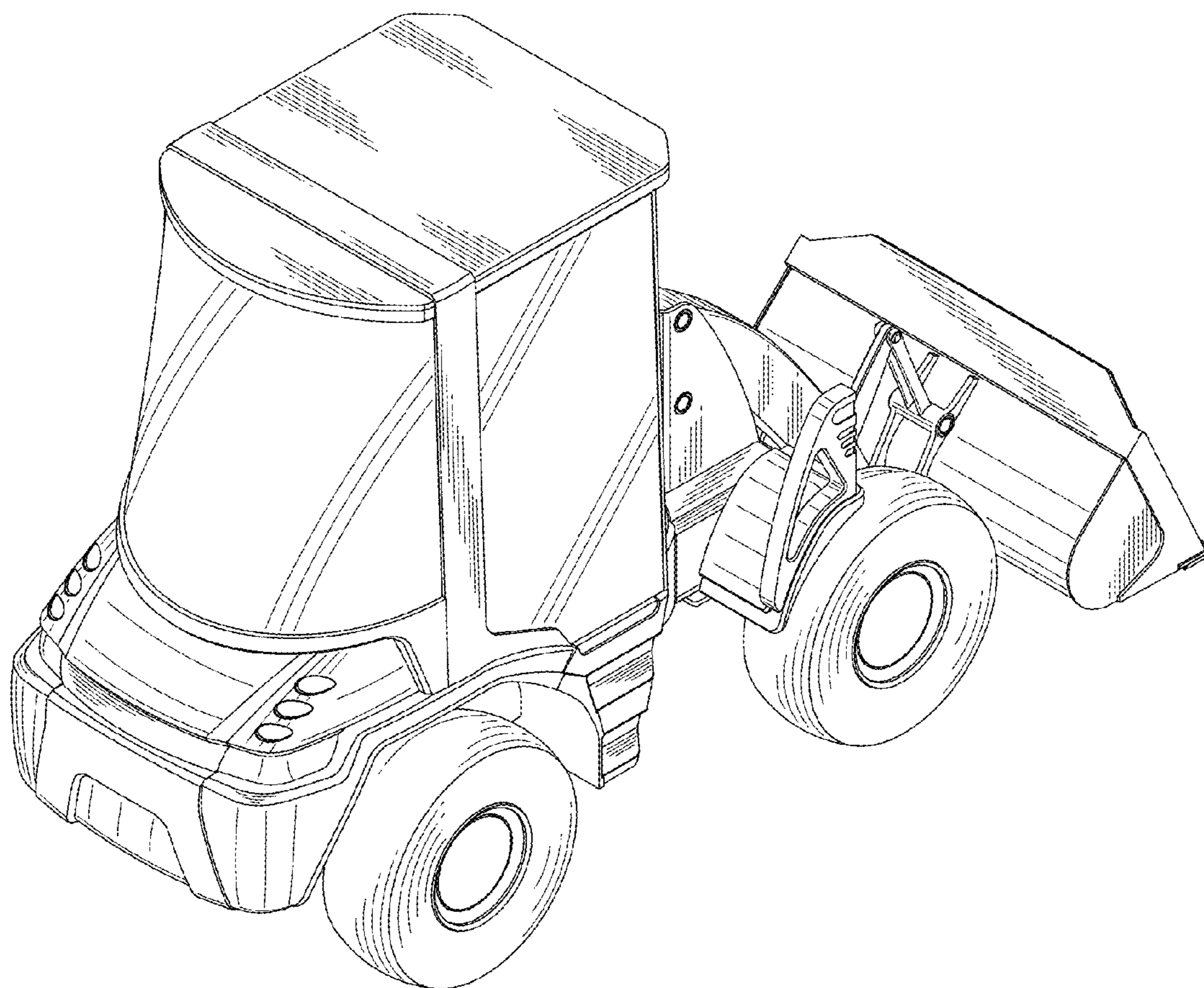


**FIG. 1**

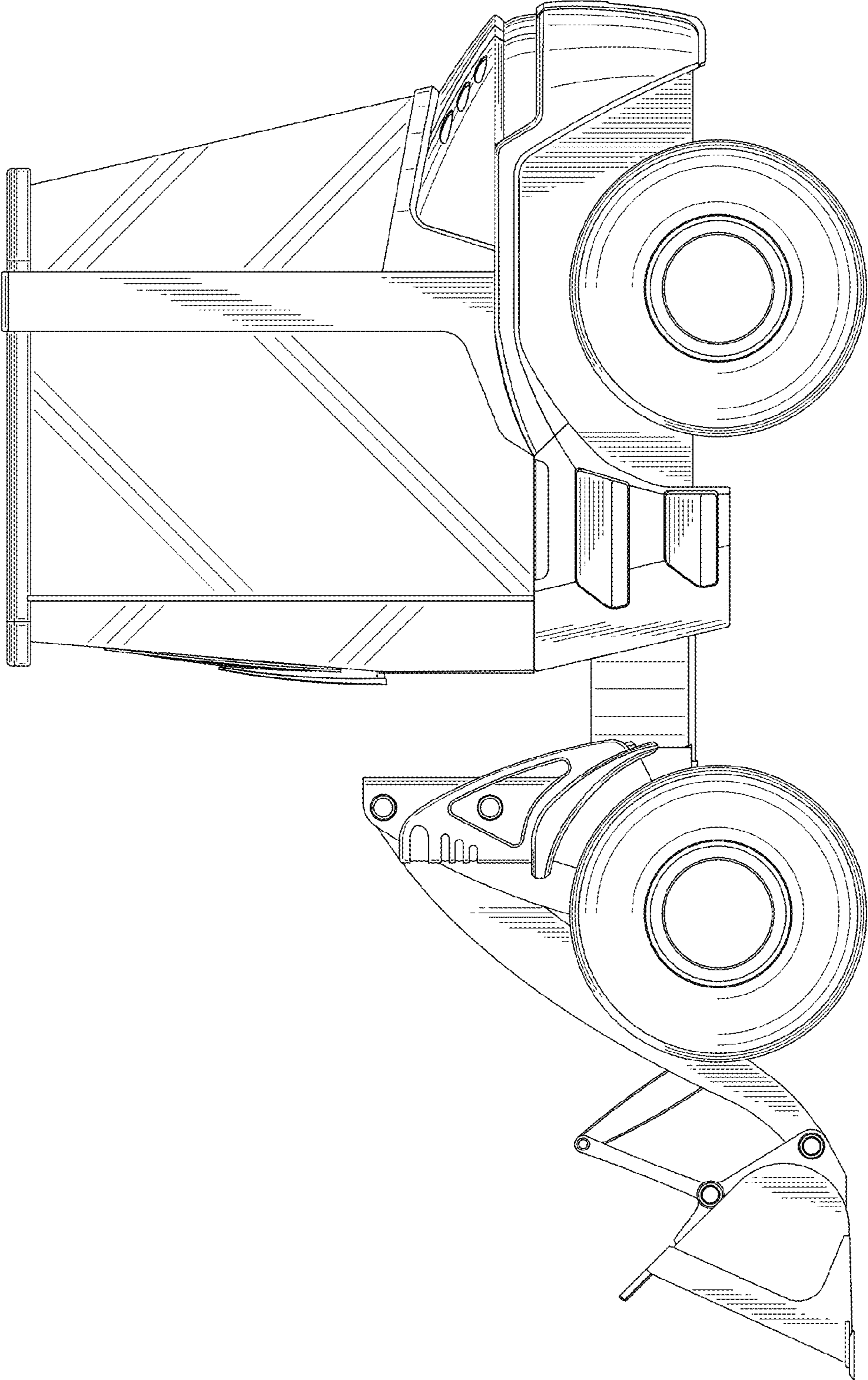




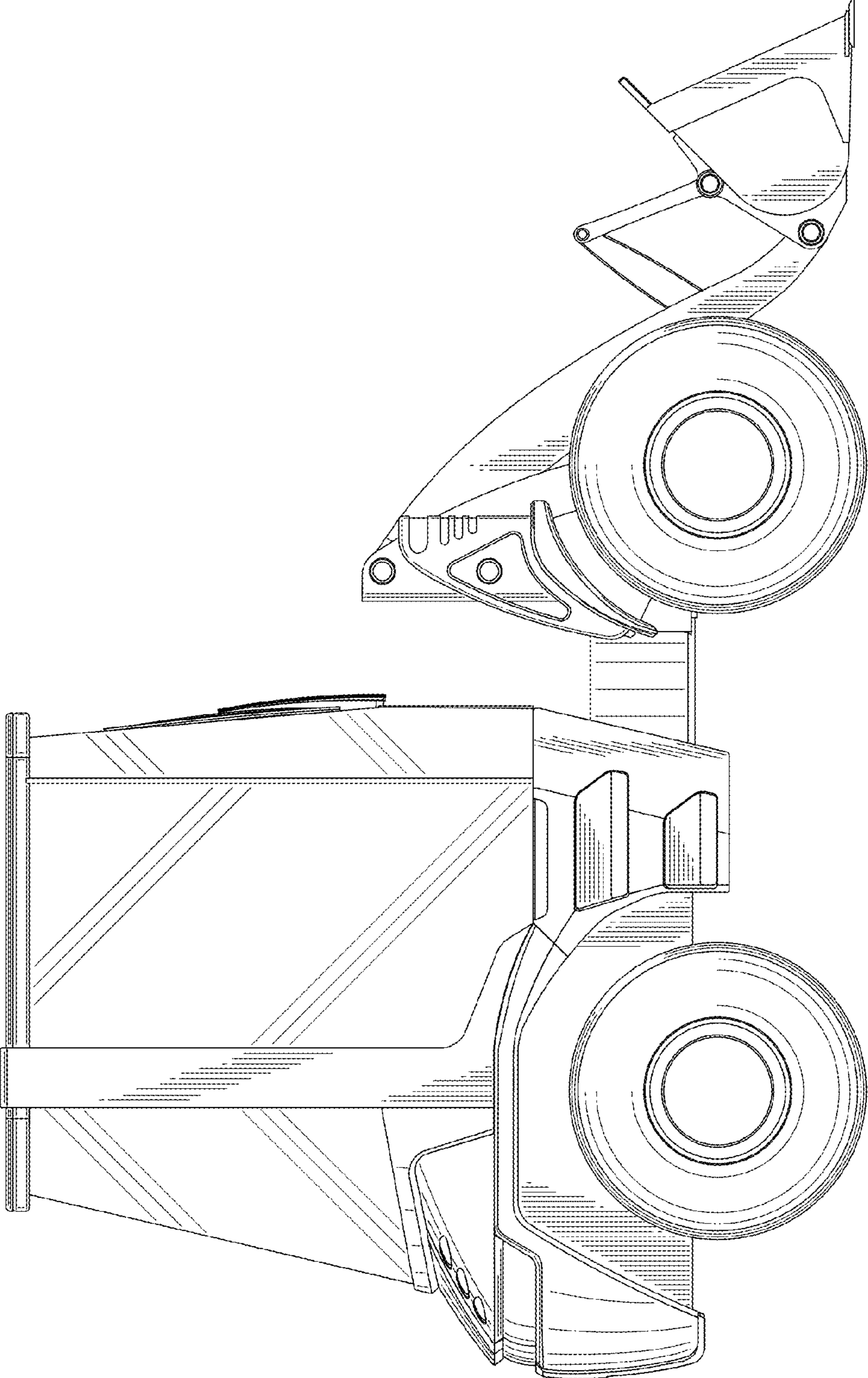
**FIG. 2**



**FIG. 3**

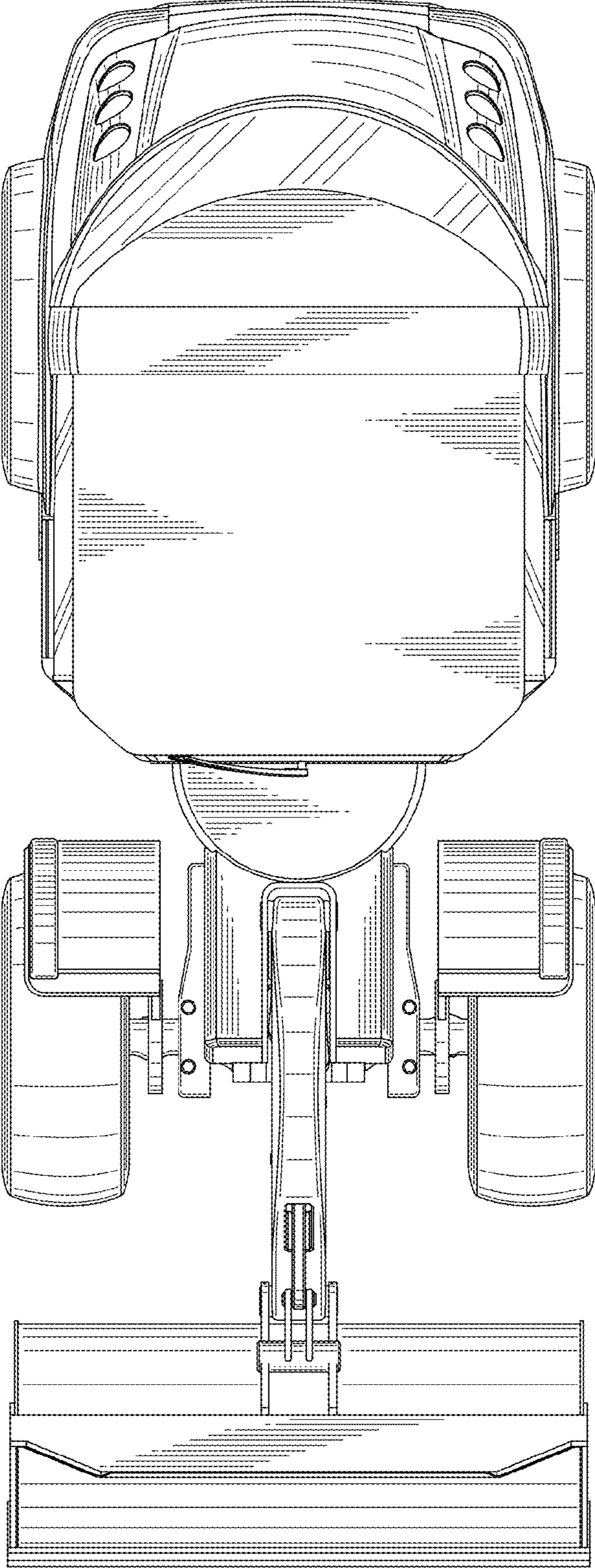


**FIG. 4**

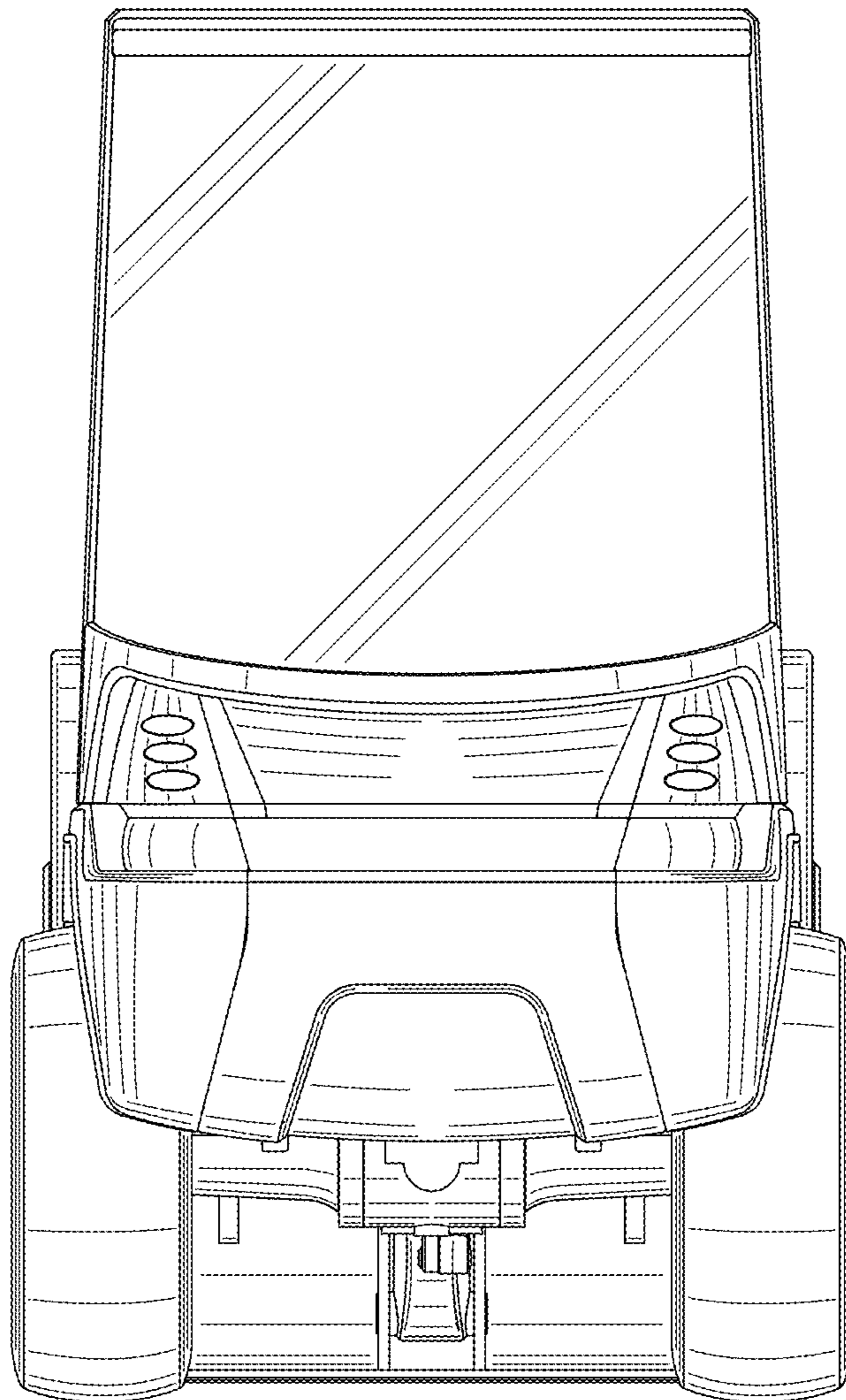




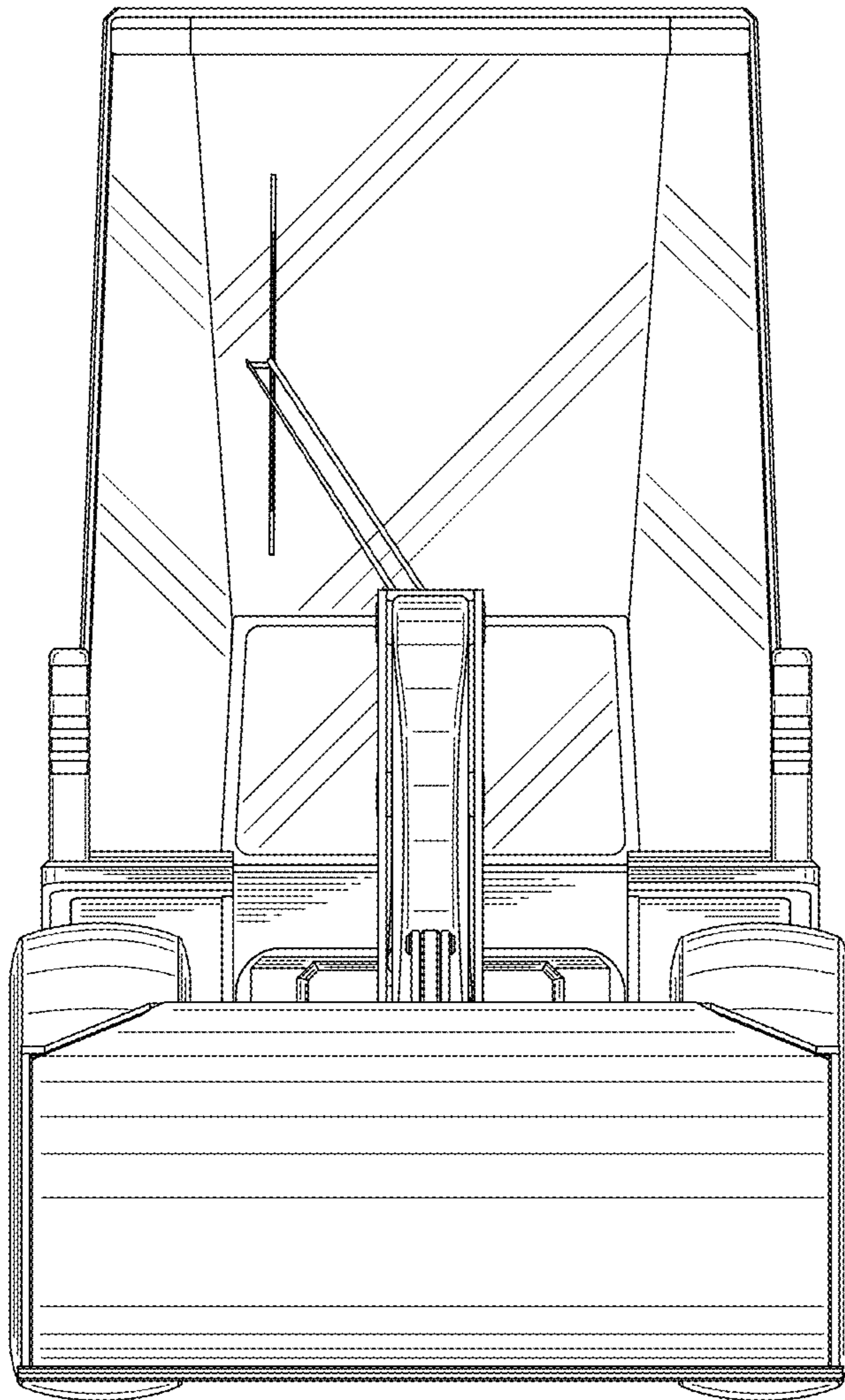
**FIG. 5**



**FIG. 6**

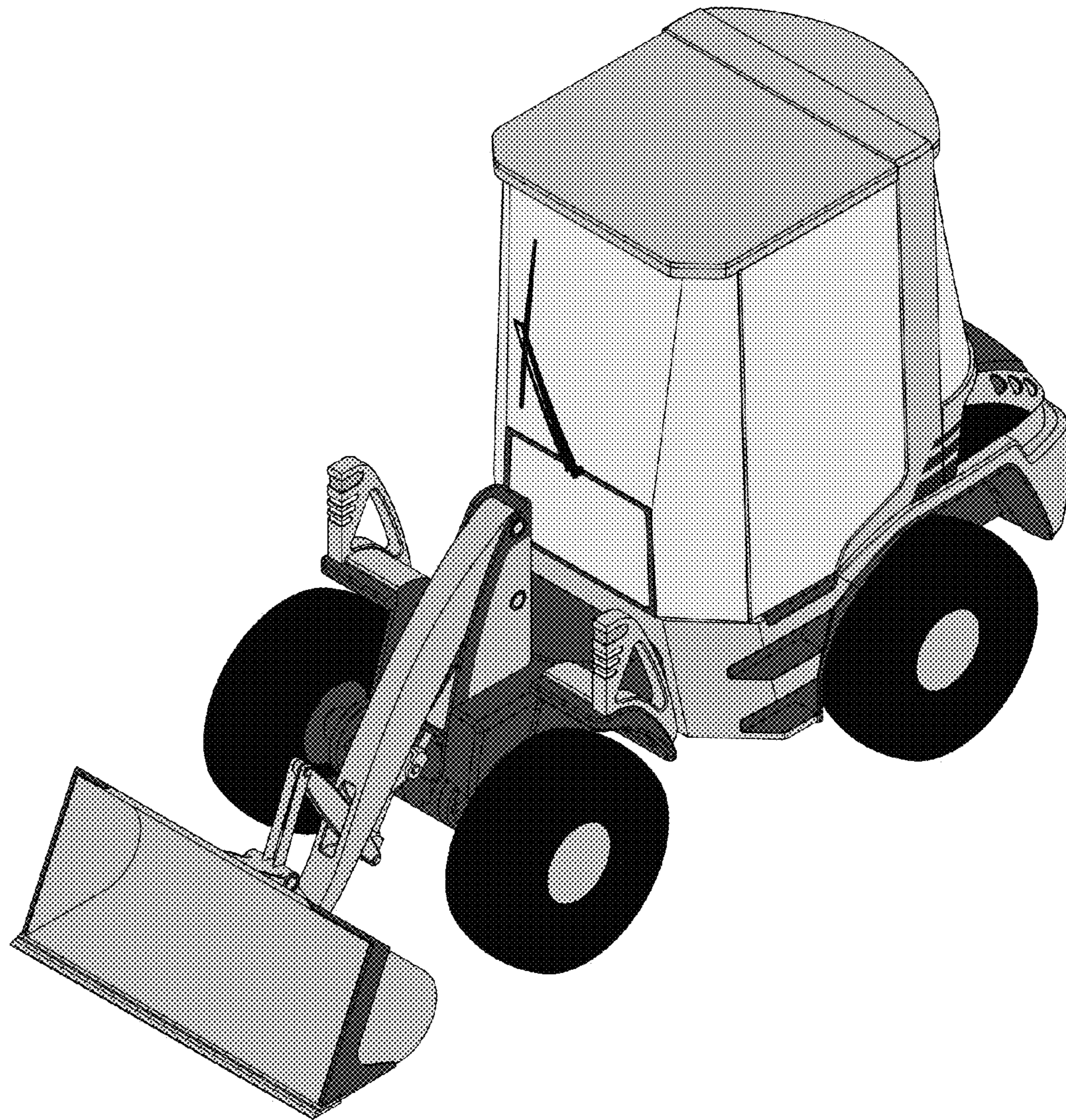


**FIG. 7**



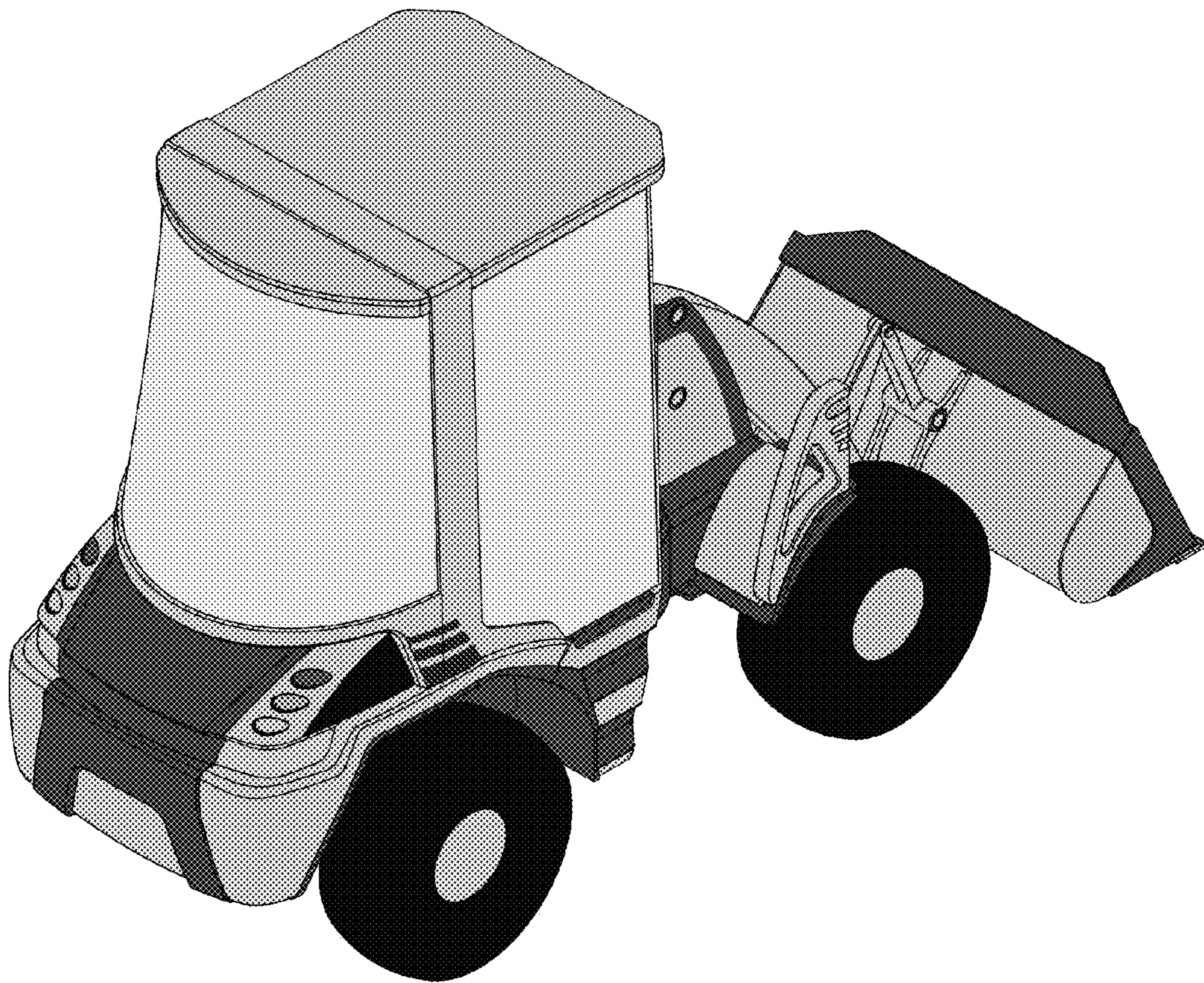


*FIG. 8*



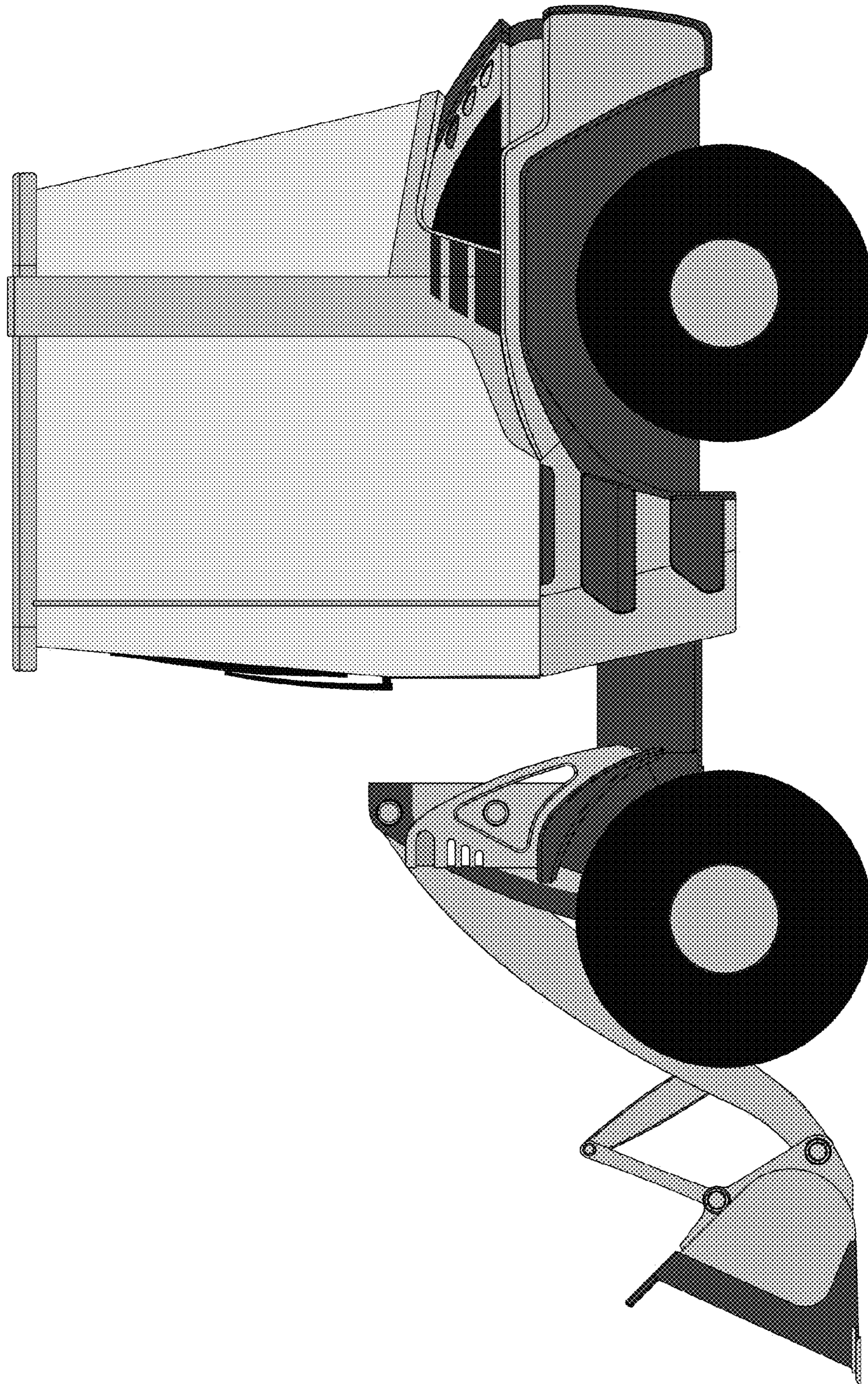


*FIG. 9*



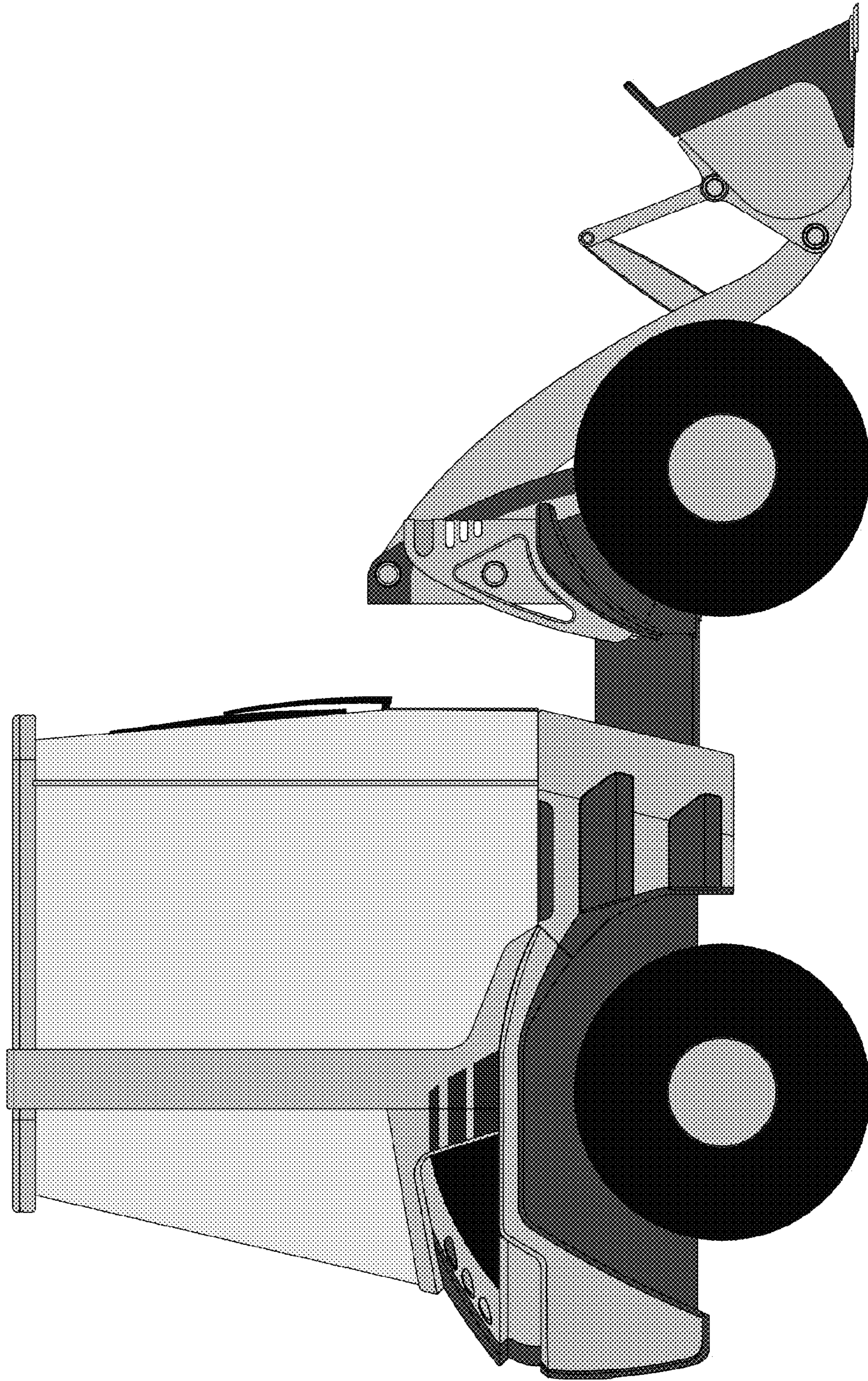


*FIG. 10*



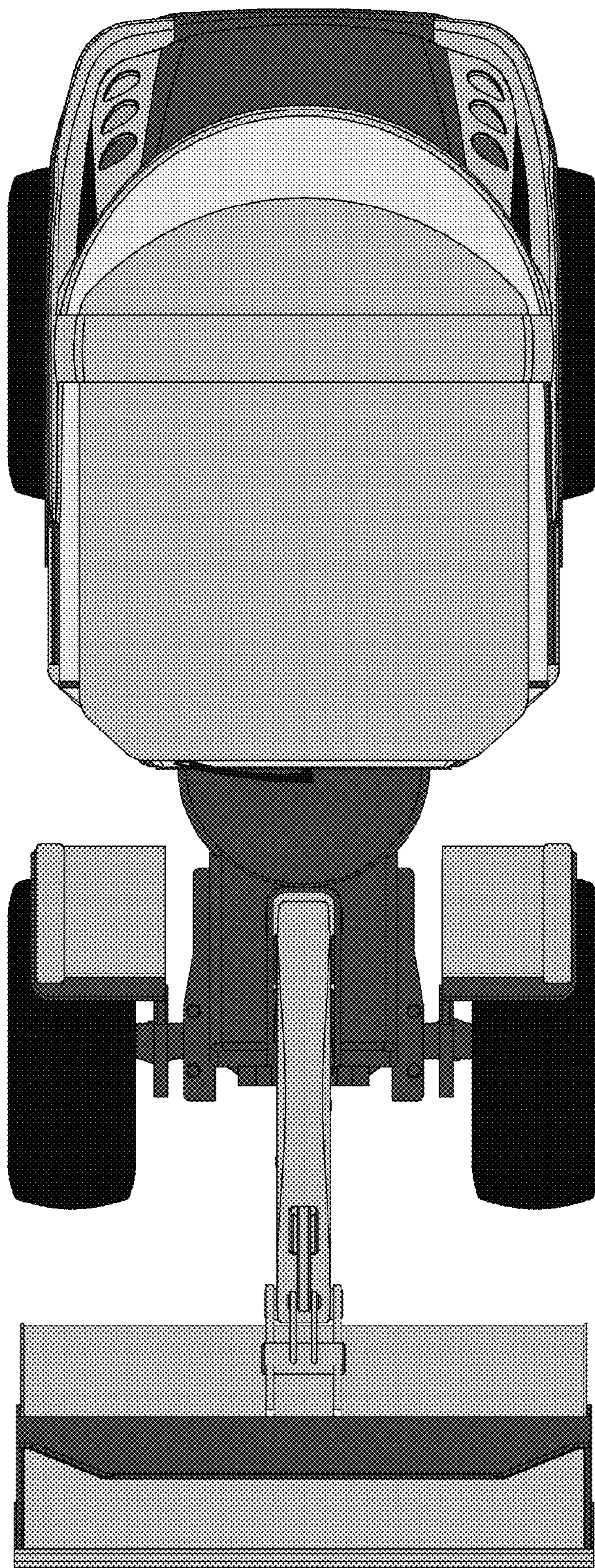


*FIG. 11*



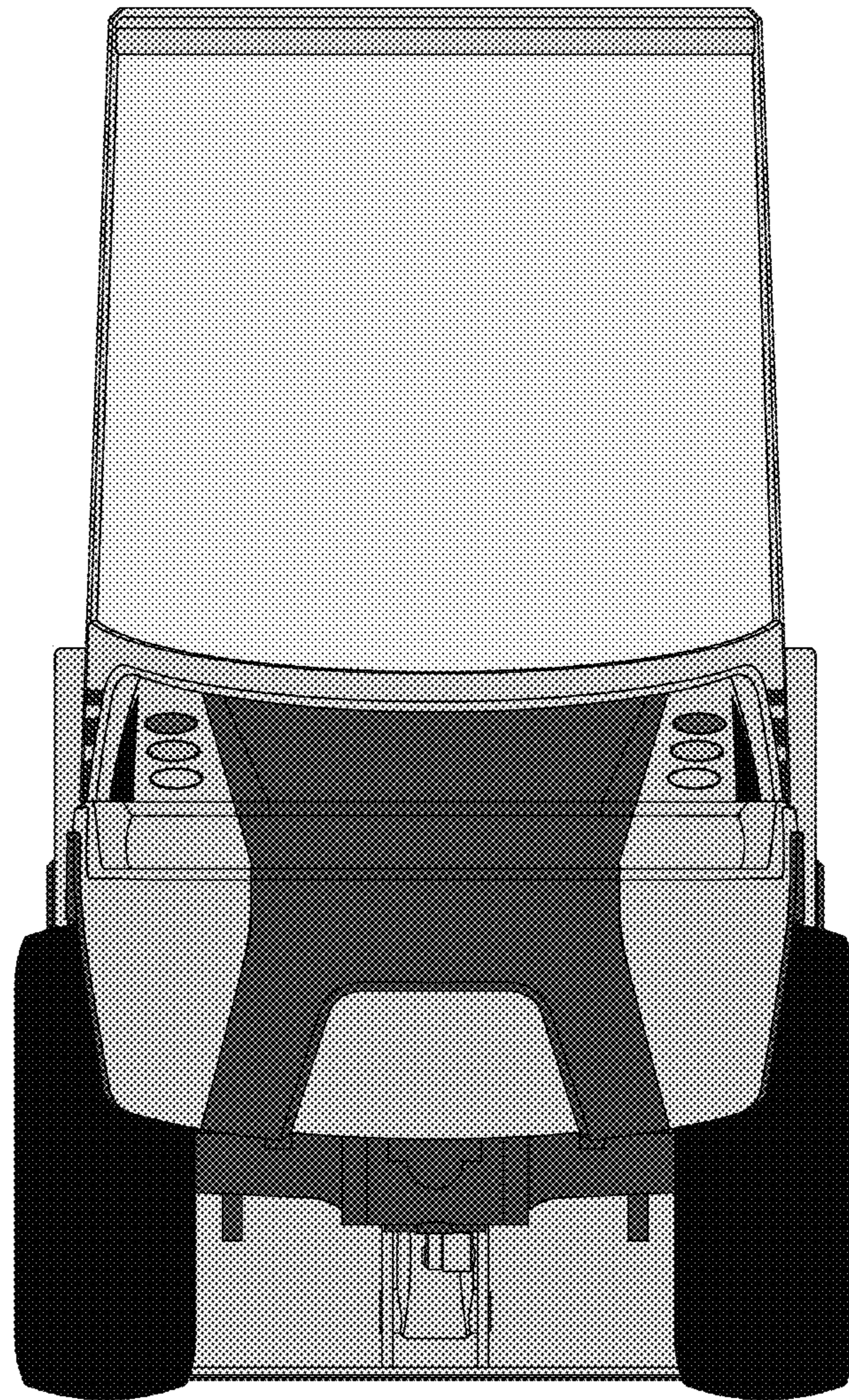


*FIG. 12*





*FIG. 13*





*FIG. 14*

