



US00D682887S

(12) **United States Design Patent**  
**Iwata**

(10) **Patent No.:** **US D682,887 S**

(45) **Date of Patent:** **\*\* May 21, 2013**

(54) **HYDRAULIC EXCAVATOR**

(75) Inventor: **Teruhisa Iwata**, Kawasaki (JP)

(73) Assignee: **Komatsu Ltd** (JP)

(\*\*) Term: **14 Years**

(21) Appl. No.: **29/406,125**

(22) Filed: **Nov. 10, 2011**

(30) **Foreign Application Priority Data**

May 12, 2011 (JP) ..... 2011-010679  
May 12, 2011 (JP) ..... 2011-010689

(51) **LOC (9) Cl.** ..... **12-09**

(52) **U.S. Cl.**  
USPC ..... **D15/25**

(58) **Field of Classification Search** ..... D15/10,  
D15/22-26; 37/403, 411, 443; 414/685,  
414/686, 688, 722-724; 180/89.13  
See application file for complete search history.

(56) **References Cited**

**U.S. PATENT DOCUMENTS**

4,369,989	A *	1/1983	Mankey	.....	280/764.1
D406,152	S *	2/1999	Miyaoka et al.	.....	D15/25
D409,629	S *	5/1999	Miyaoka et al.	.....	D15/25
D474,481	S *	5/2003	Hara	.....	D15/25
D511,531	S *	11/2005	Sewell et al.	.....	D15/24
D518,071	S *	3/2006	Gwak et al.	.....	D15/25
D527,027	S *	8/2006	Smith et al.	.....	D15/24
D538,304	S *	3/2007	Uemura	.....	D15/25
D538,827	S *	3/2007	Uemura	.....	D15/25
D590,422	S *	4/2009	Joos et al.	.....	D15/25

D590,847 S \* 4/2009 Yonekura et al. .... D15/25

\* cited by examiner

*Primary Examiner* — Mark Goodwin

(74) *Attorney, Agent, or Firm* — Fox Rothschild LLP

(57) **CLAIM**

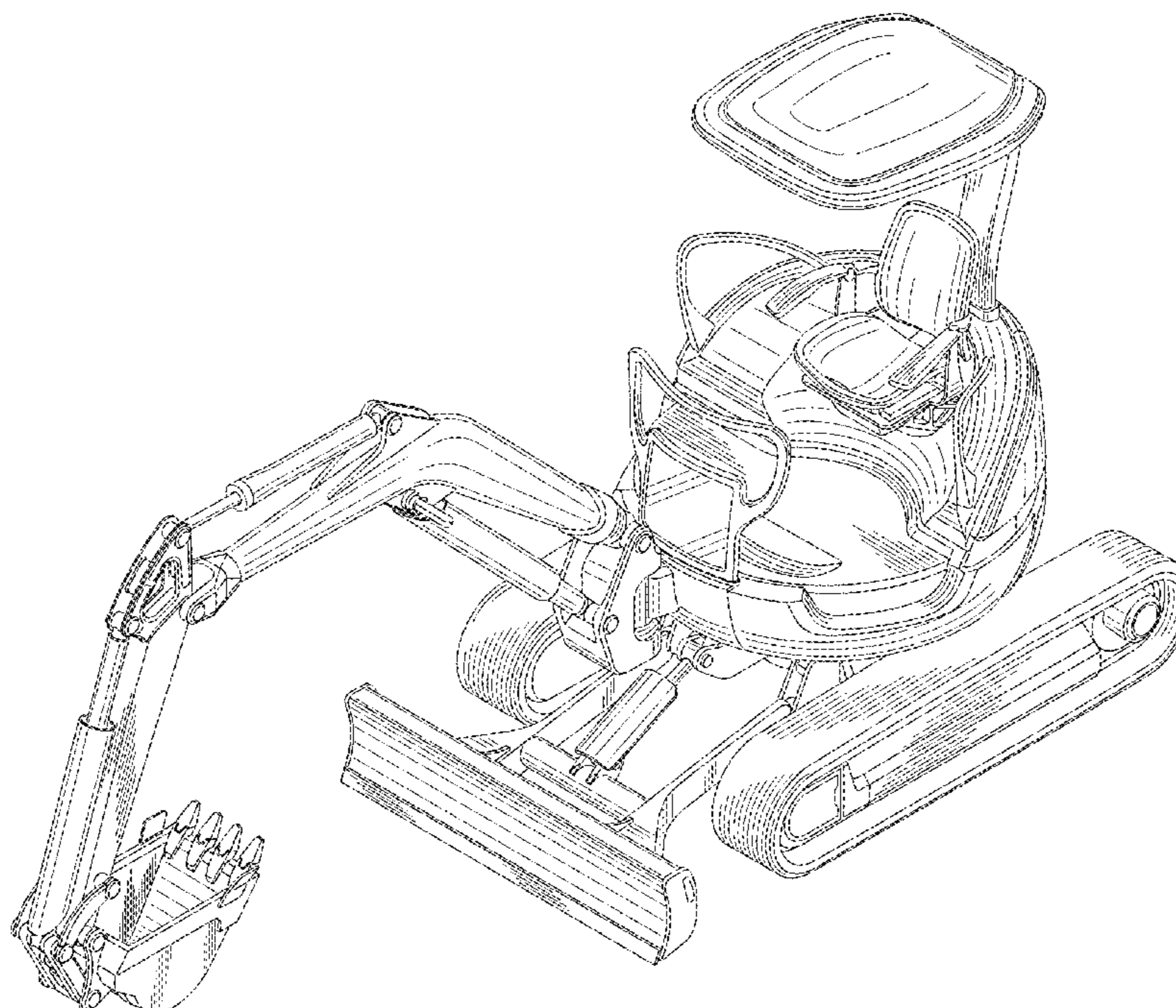
The ornamental design for a hydraulic excavator, as shown and described.

**DESCRIPTION**

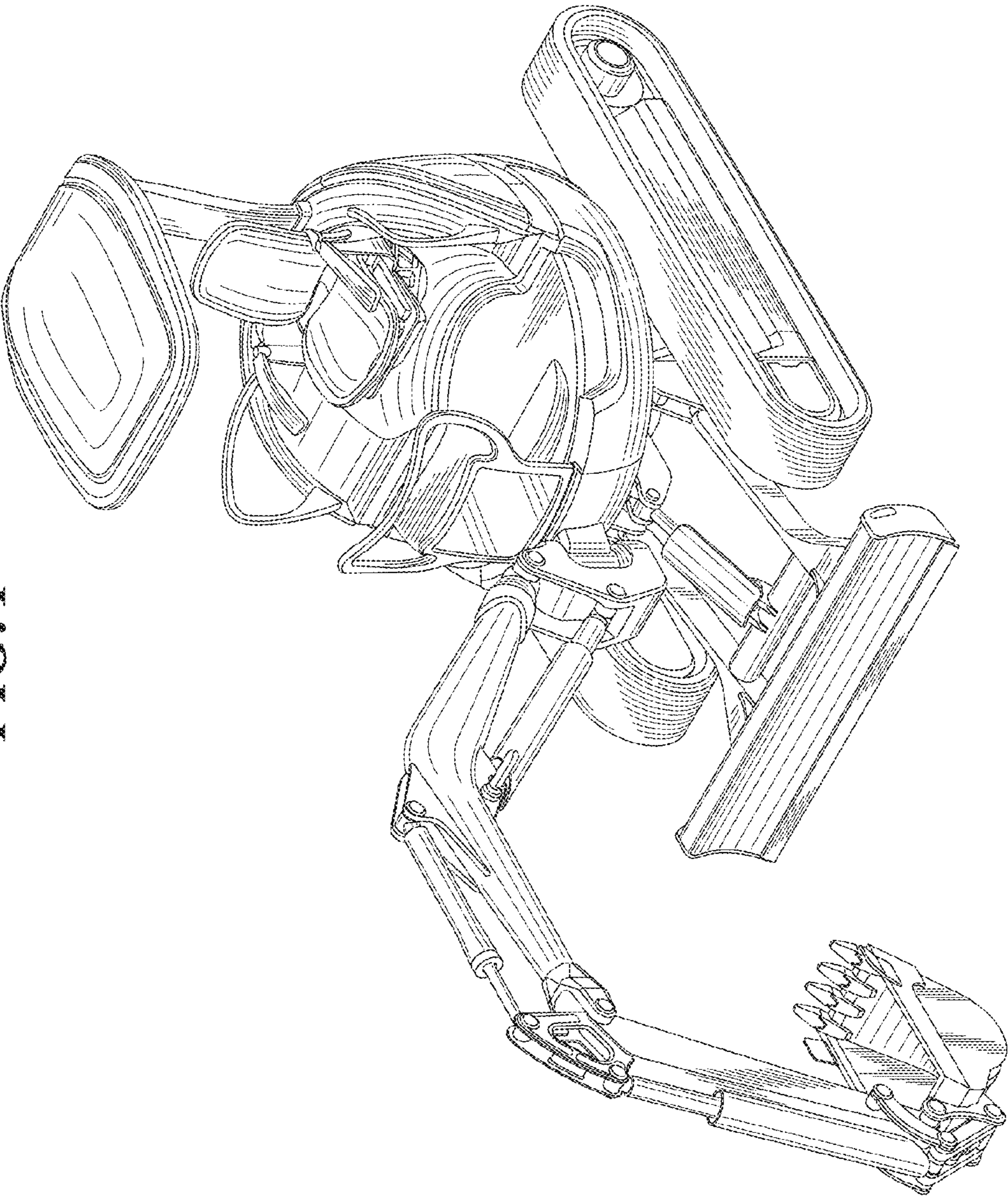
The patent or application file contains at least one drawing executed in color. Copies of this patent or patent application publication with color drawing(s) will be provided by the Office upon request and payment of the necessary fee.

FIG. 1 is a front perspective view of a first embodiment of a hydraulic excavator showing my new design;  
FIG. 2 is a rear perspective view thereof;  
FIG. 3 is a right side elevational view thereof;  
FIG. 4 is a left side elevational view thereof;  
FIG. 5 is a top plan view thereof;  
FIG. 6 is a rear elevational view thereof;  
FIG. 7 is a front elevational view thereof;  
FIG. 8 is a front perspective view of a second embodiment of a hydraulic excavator showing my new design;  
FIG. 9 is a rear perspective view thereof;  
FIG. 10 is a right side elevational view thereof;  
FIG. 11 is a left side elevational view thereof;  
FIG. 12 is a top plan view thereof;  
FIG. 13 is a rear elevational view thereof; and,  
FIG. 14 is a front elevational view thereof.

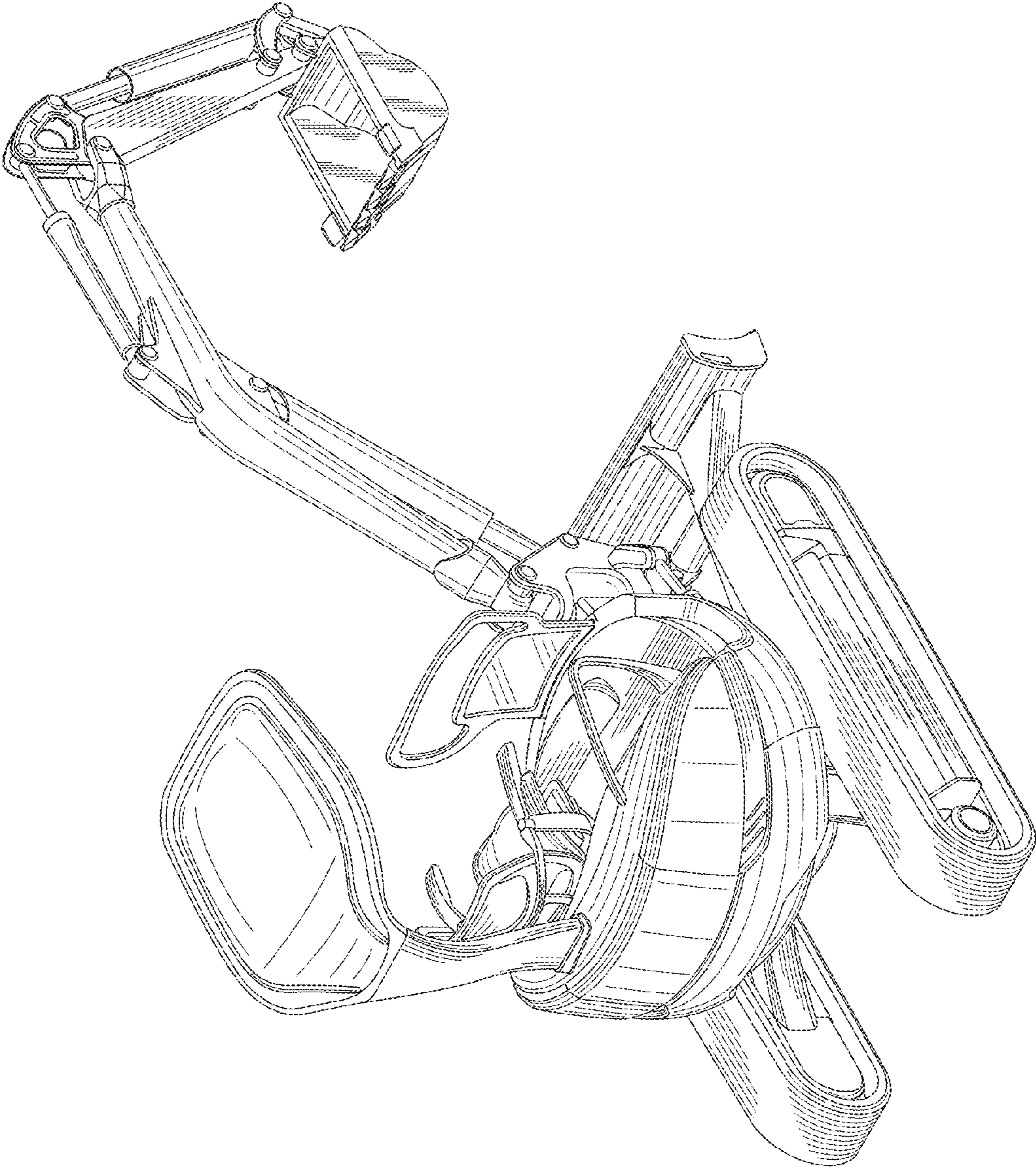
**1 Claim, 14 Drawing Sheets**  
**(7 of 14 Drawing Sheet(s) Filed in Color)**



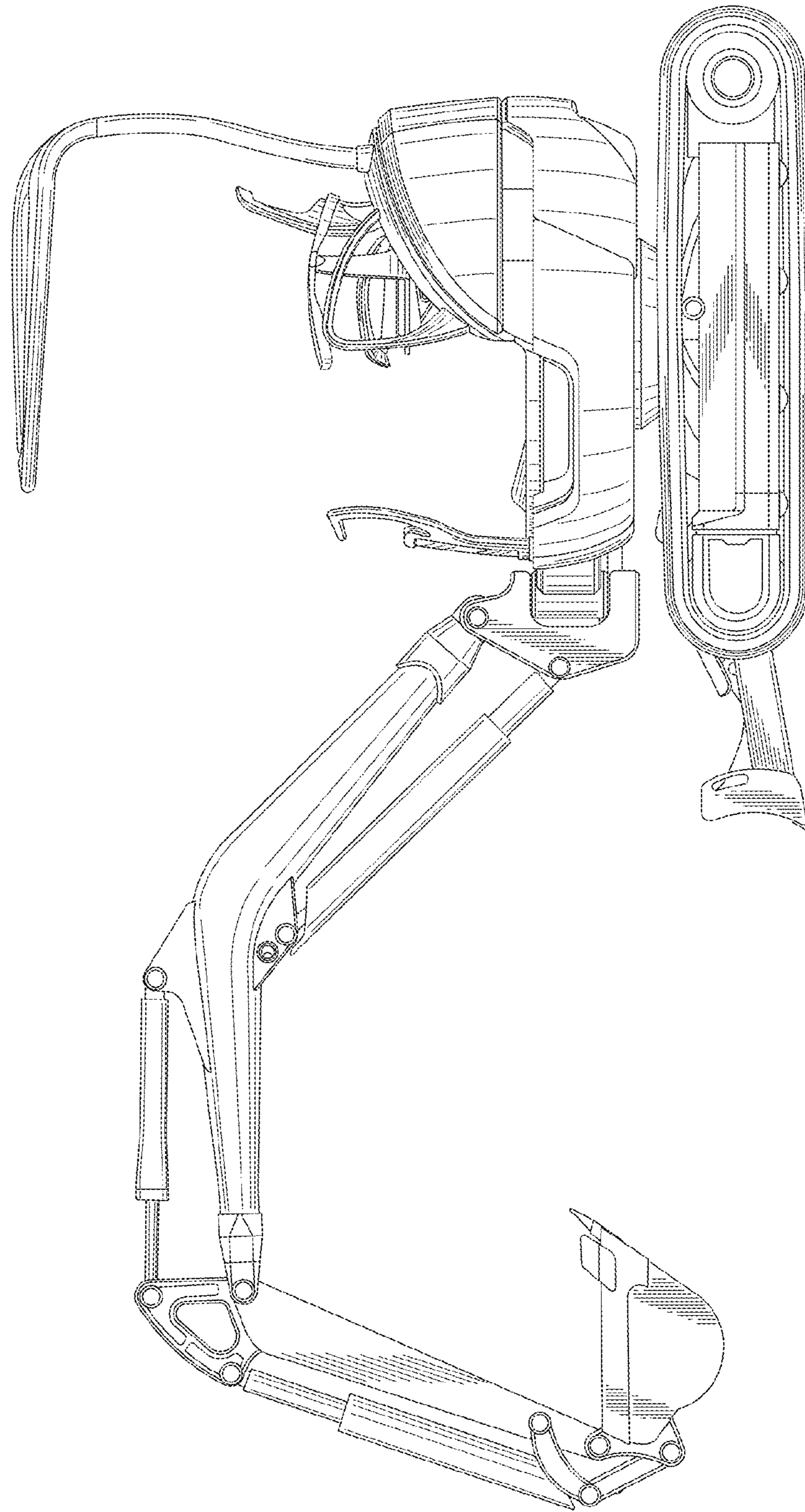
**FIG. 1**



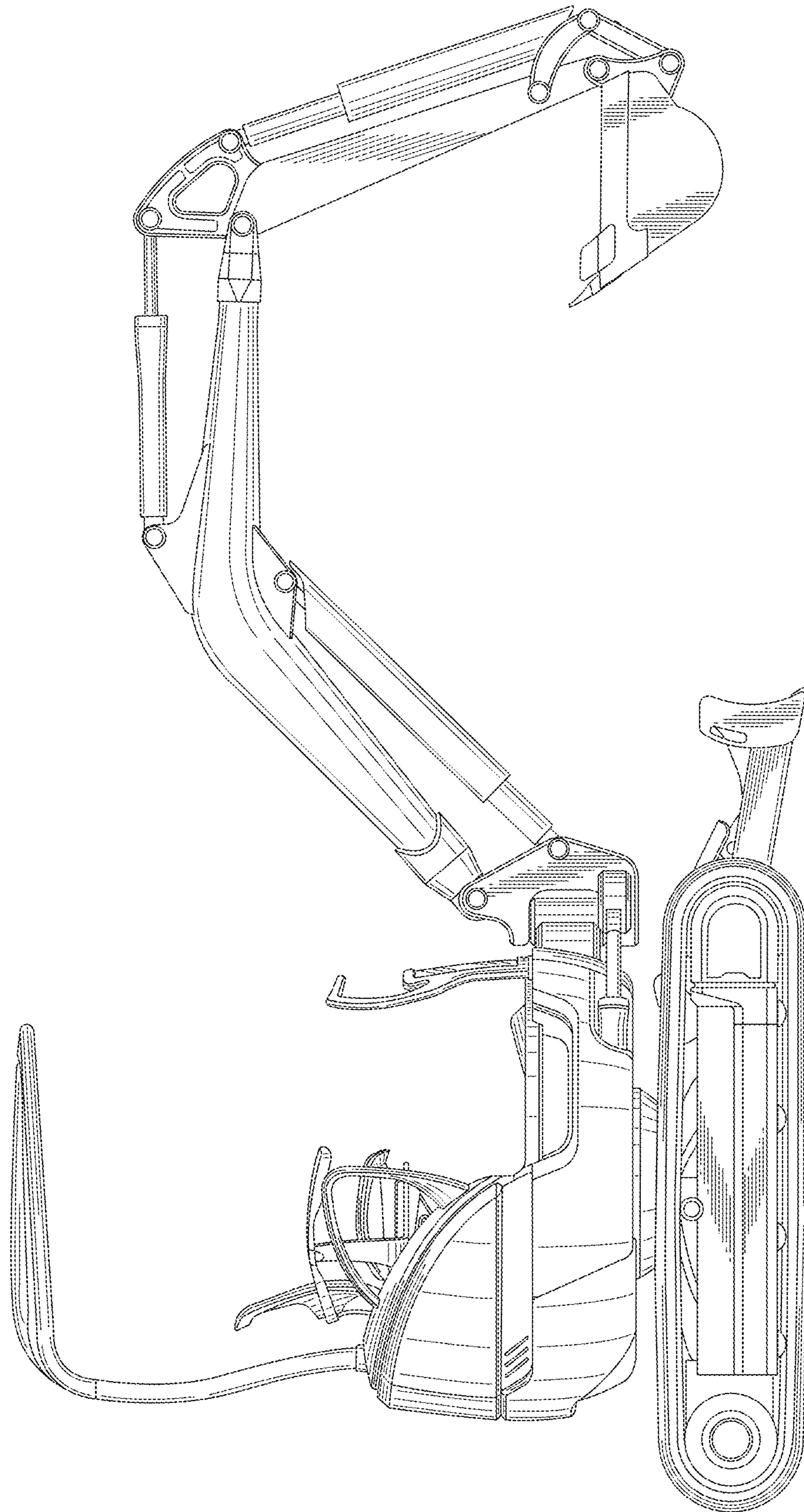
**FIG. 2**



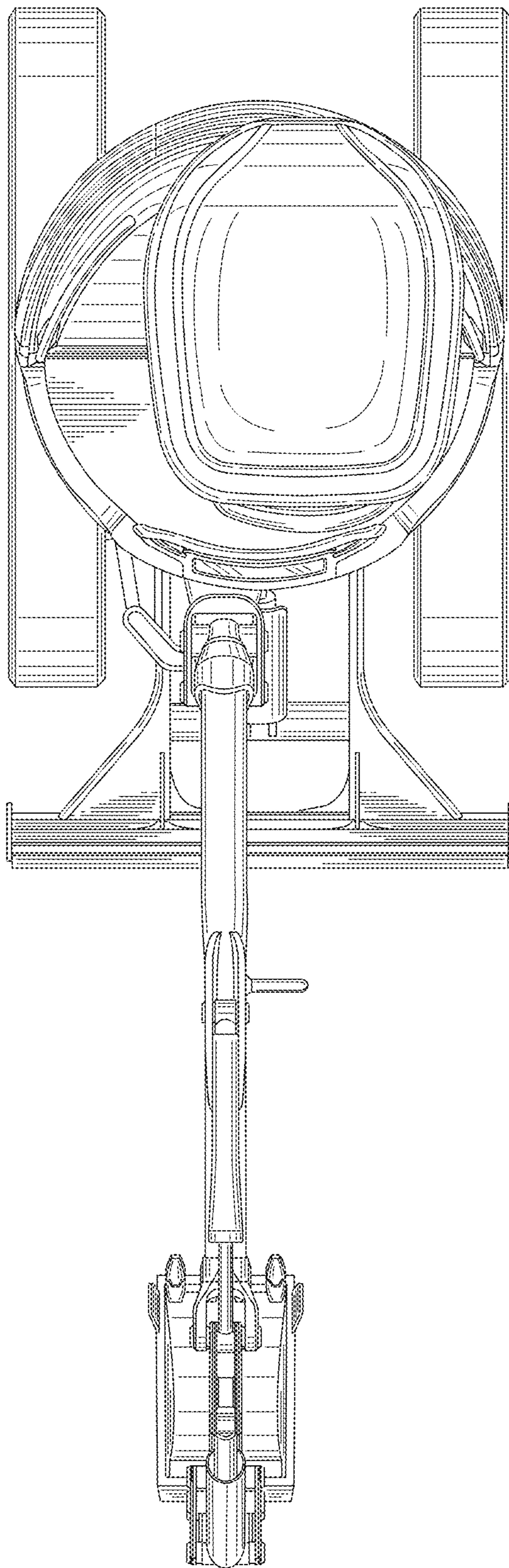
**FIG. 3**



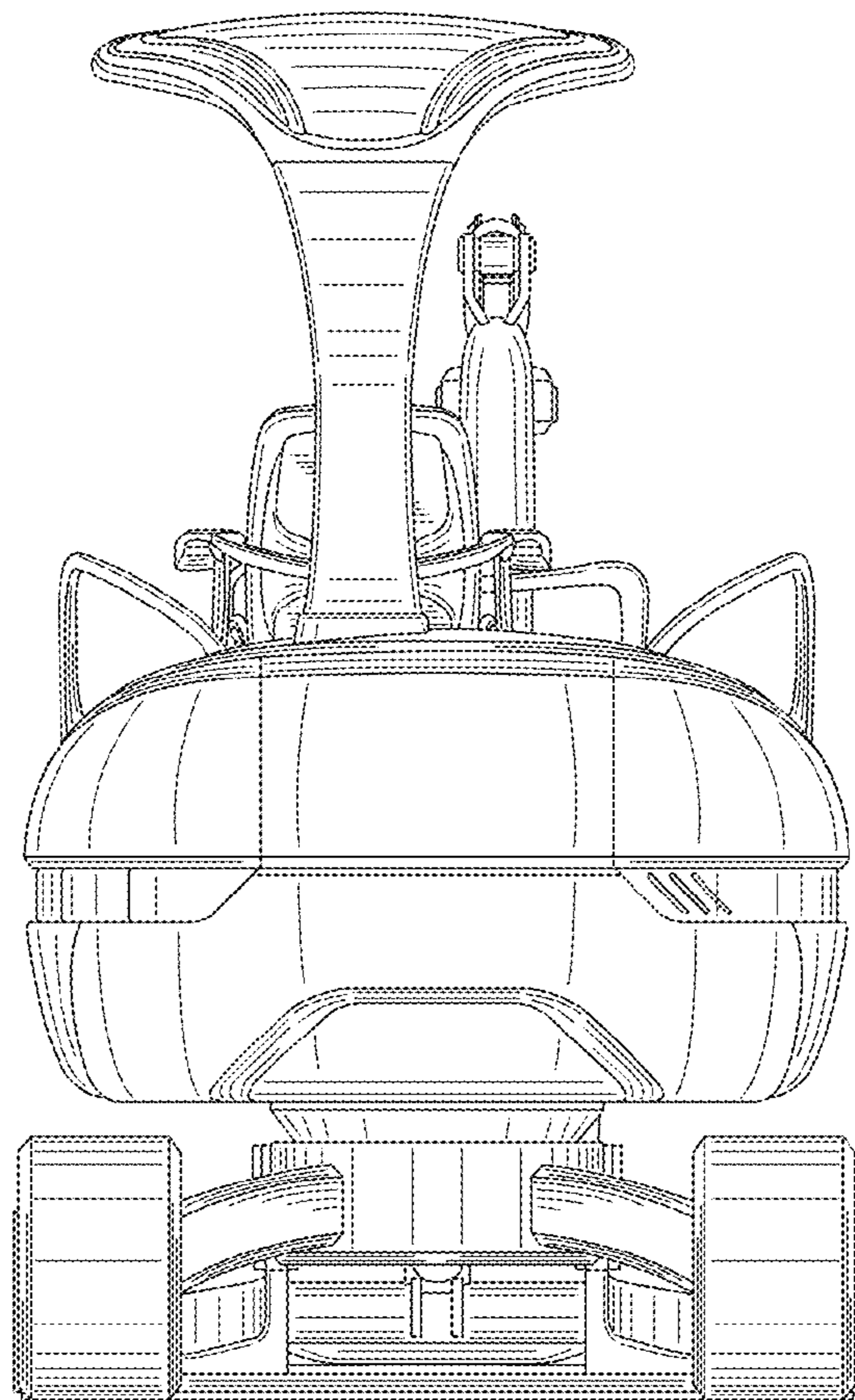
**FIG. 4**



**FIG. 5**



*FIG. 6*



*FIG. 7*

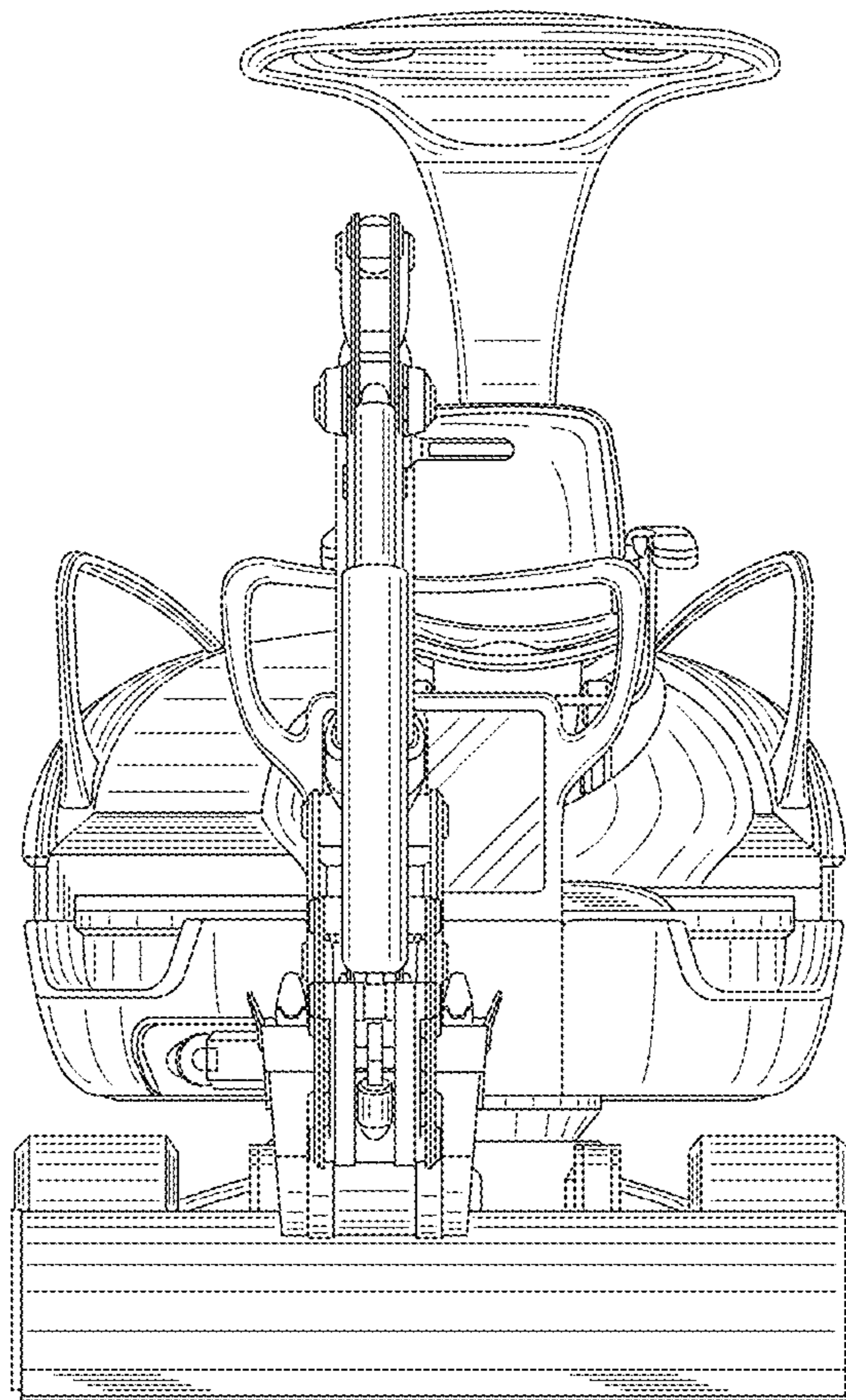
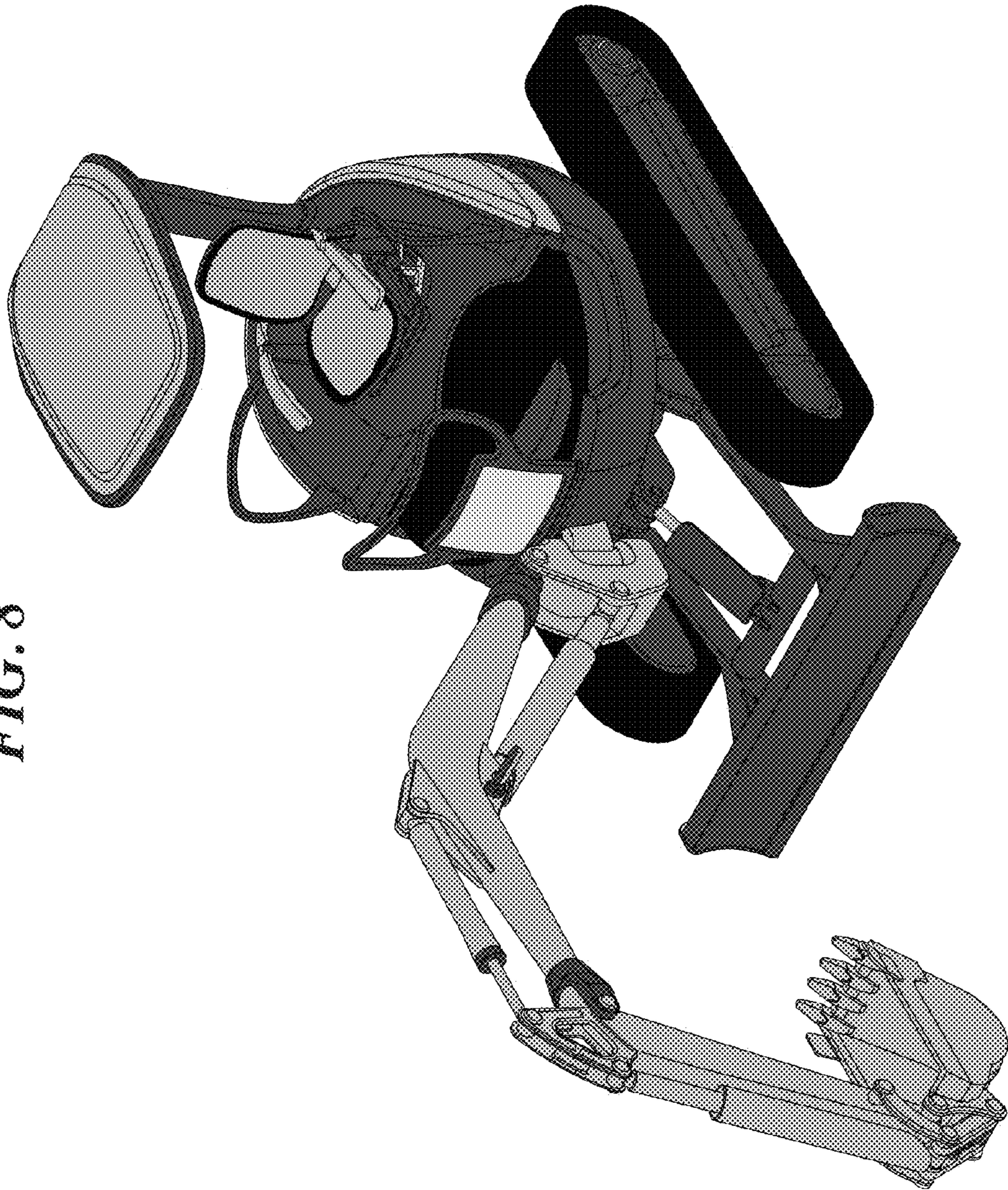
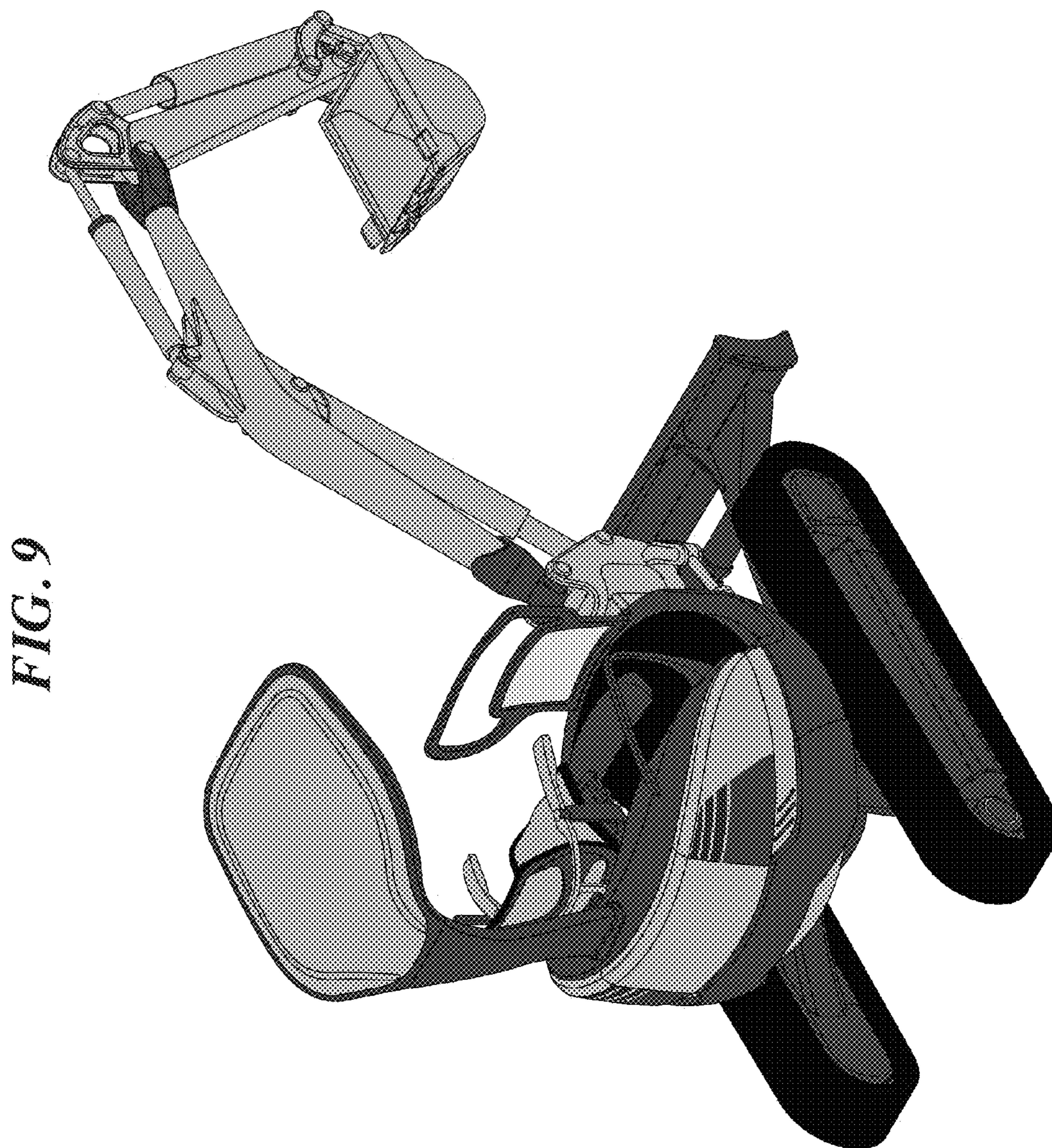


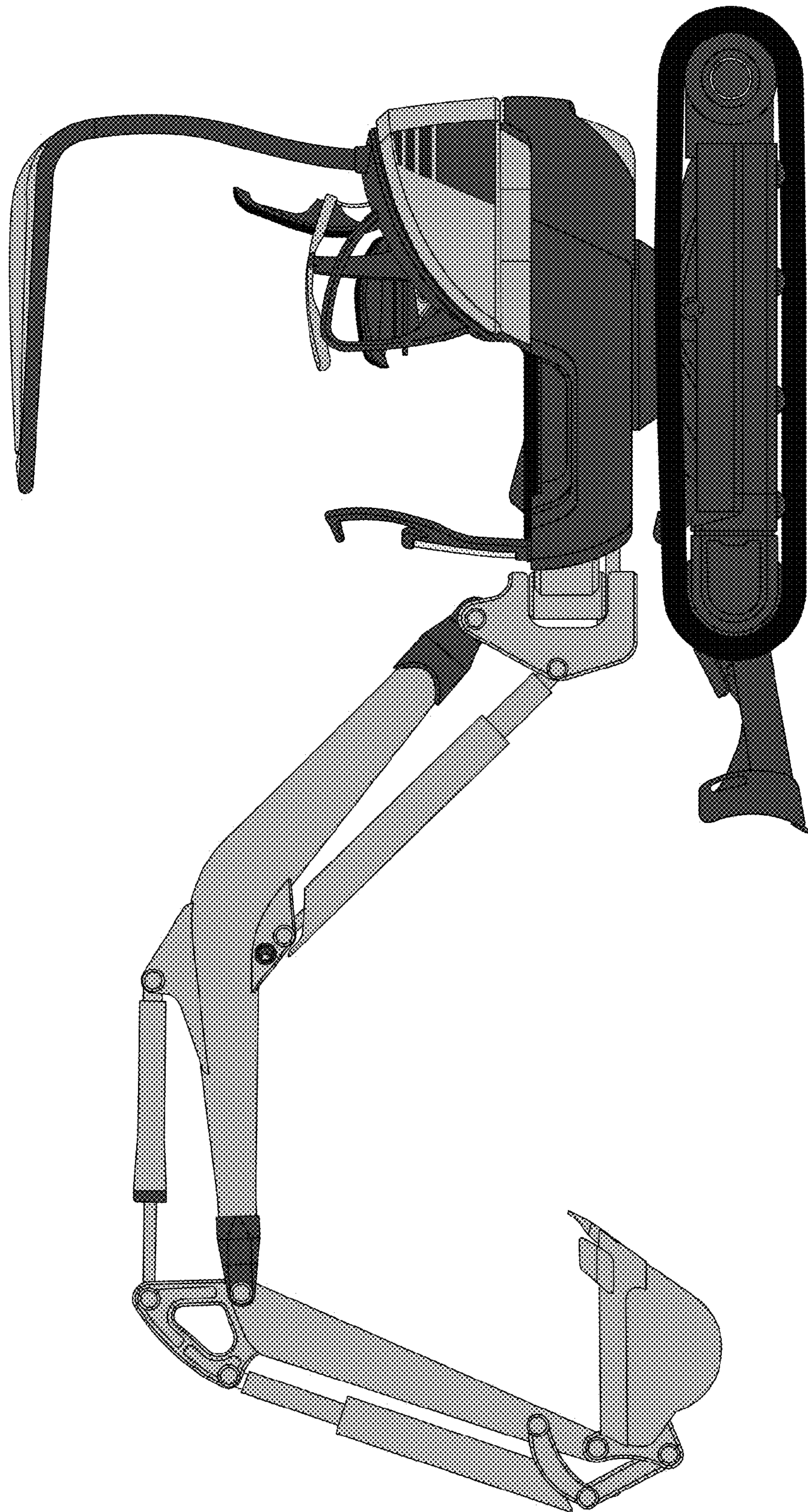


FIG. 8

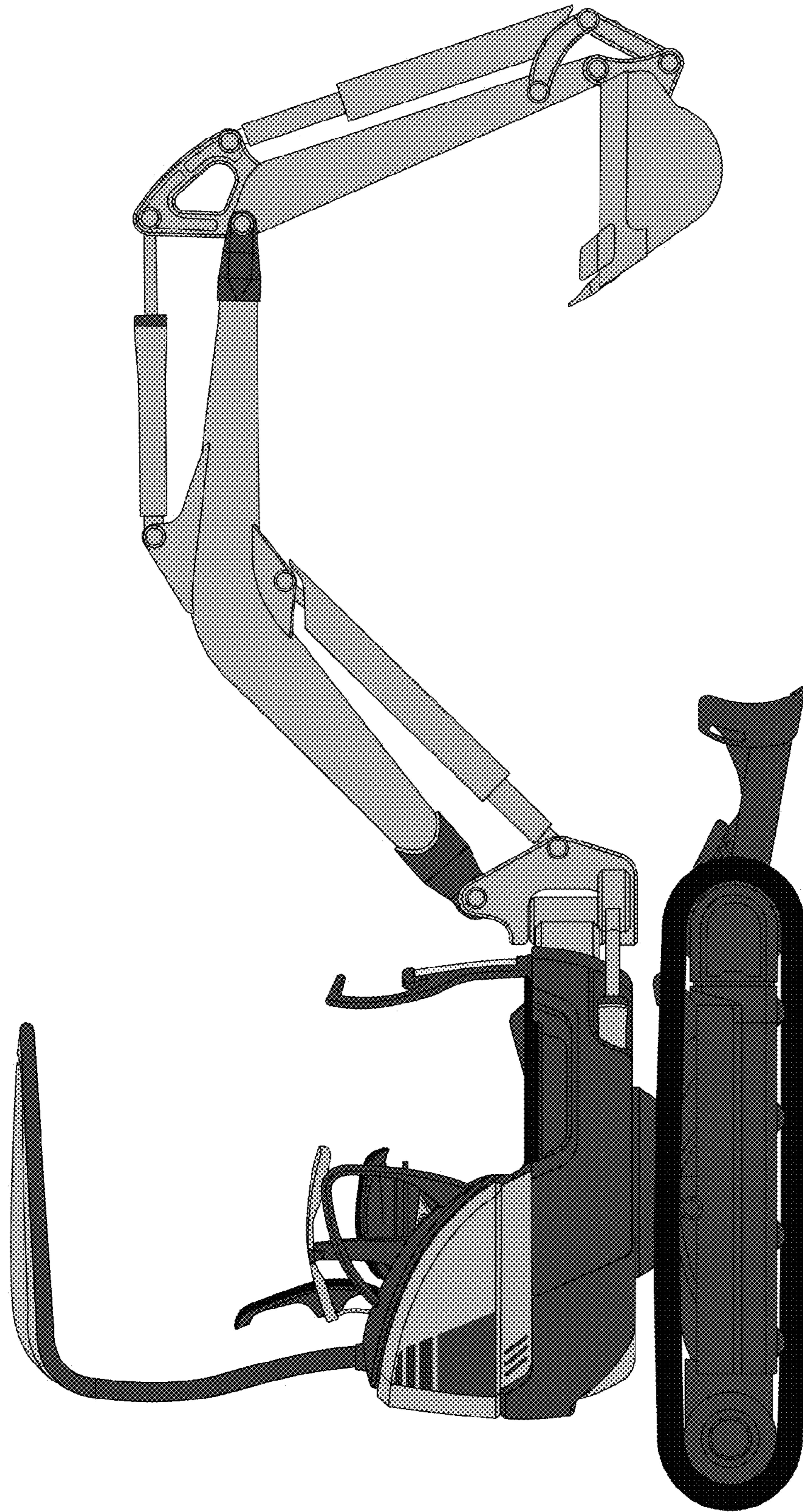




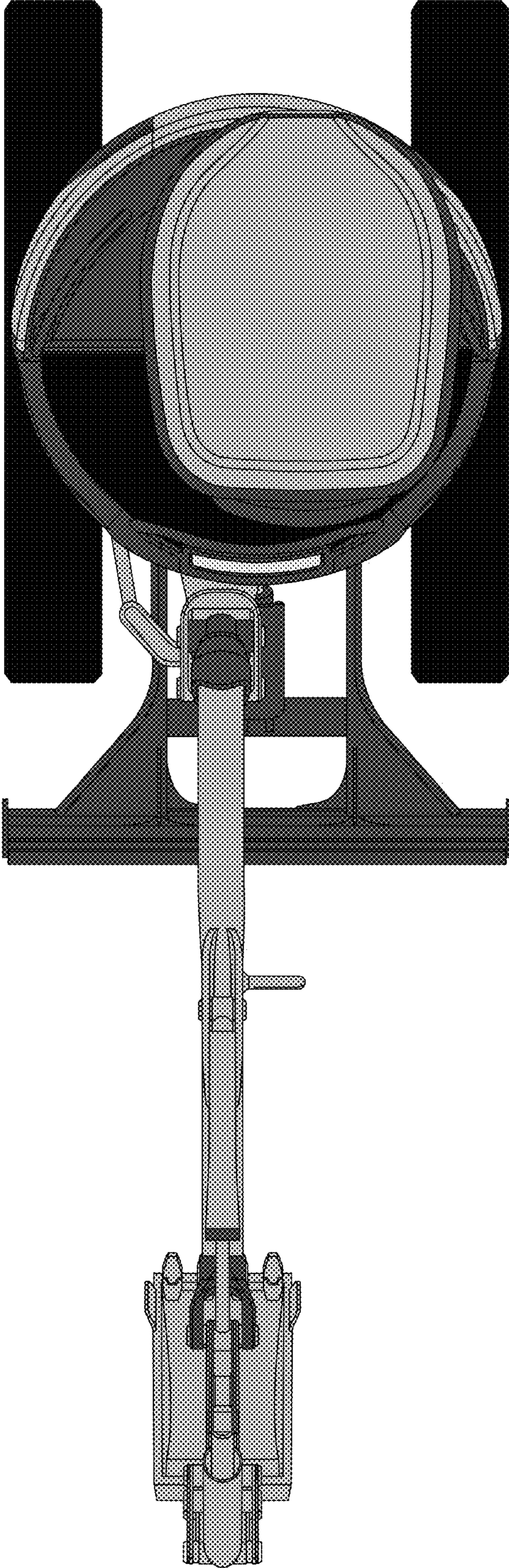
**FIG. 10**



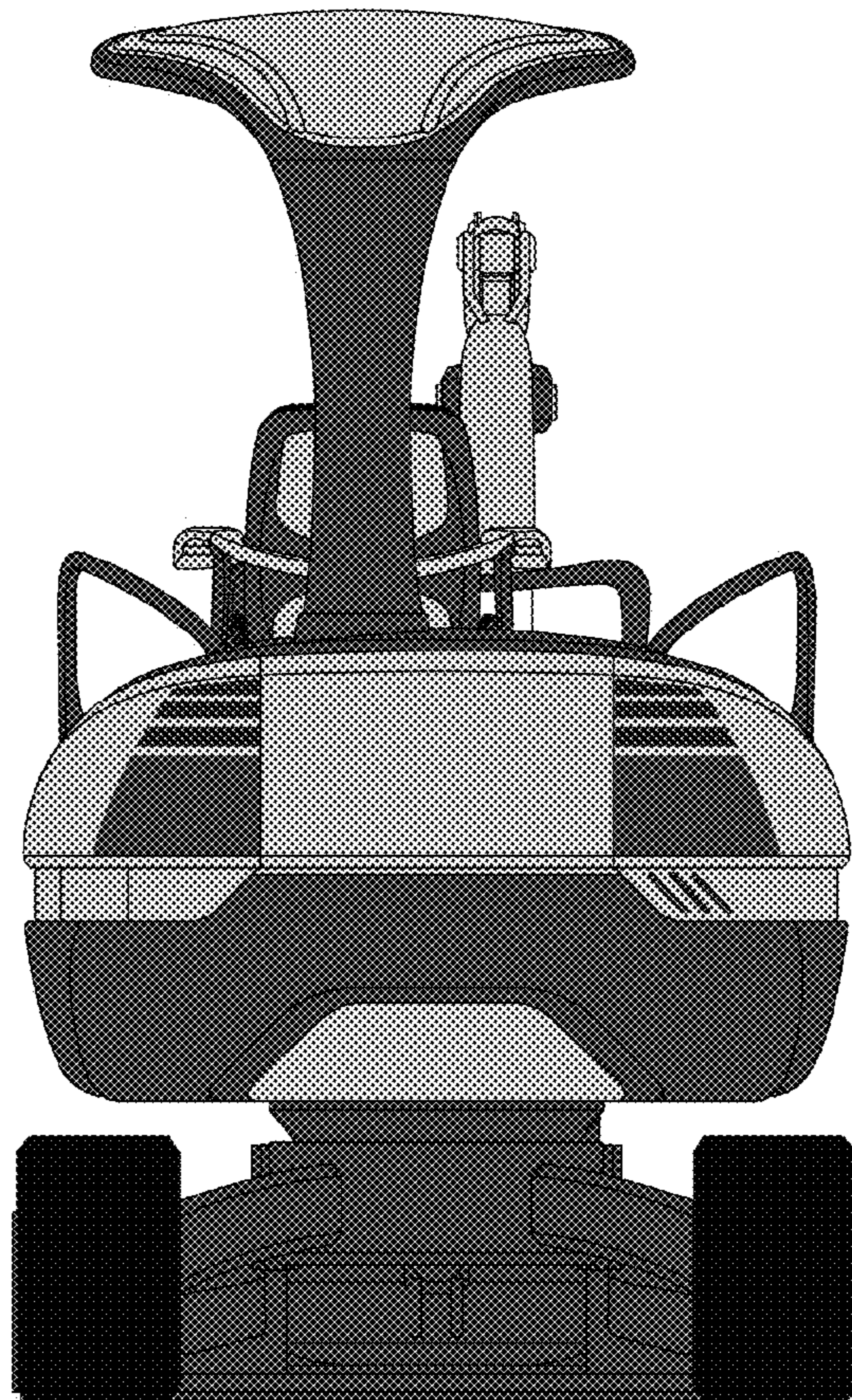
*FIG. 11*



*FIG. 12*



*FIG. 13*



*FIG. 14*

