



US00D682886S

(12) **United States Design Patent**  
**Haider et al.**

(10) **Patent No.:** **US D682,886 S**

(45) **Date of Patent:** **\*\* May 21, 2013**

(54) **PUMP SHROUD**

(56) **References Cited**

(75) Inventors: **Mark Francis Haider**, St. Paul, MN (US); **Thomas Joseph Mettler**, Hudson, WI (US); **Henry Yinwah Tsang**, Roseville, MN (US); **Brian Jacob Johnson**, South Saint Paul, MN (US); **Jason Adam Smith**, Hudson, WI (US); **Robert Allen Johnson**, White Bear Lake, MN (US)

U.S. PATENT DOCUMENTS

D520,026	S	*	5/2006	Hulks	.....	D15/9
D540,350	S	*	4/2007	Hulks	.....	D15/9
D589,060	S	*	3/2009	Metcalf	.....	D15/7
D602,501	S	*	10/2009	Ton	.....	D15/7
D611,504	S	*	3/2010	Ton	.....	D15/7
D659,720	S	*	5/2012	Lucchi	.....	D15/9
D662,515	S	*	6/2012	Fadler et al.	.....	D15/7

\* cited by examiner

(73) Assignee: **Waterous Company**, South St. Paul, MN (US)

*Primary Examiner* — Ralf Seifert

(74) *Attorney, Agent, or Firm* — Dicke, Billig & Czaja, PLLC

(\*\*) Term: **14 Years**

(57) **CLAIM**

(21) Appl. No.: **29/421,617**

The ornamental design for a pump shroud, as shown and described.

(22) Filed: **Jun. 6, 2012**

**DESCRIPTION**

(51) **LOC (9) Cl.** ..... **15-02**

FIG. 1 is an isometric view of a pump shroud showing our new design.

(52) **U.S. Cl.**  
USPC ..... **D15/7**

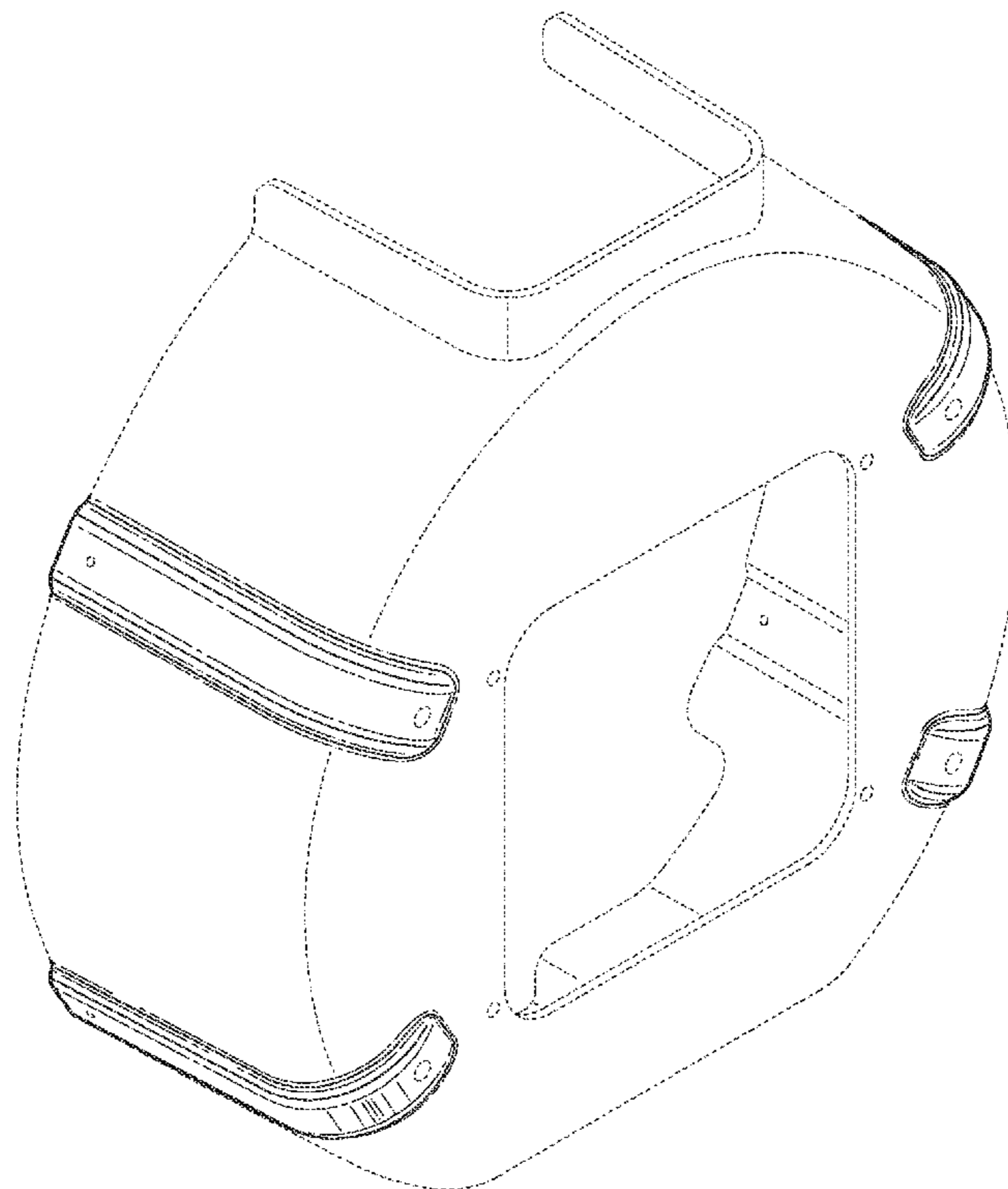
FIG. 2 is a front plan view of the pump shroud;  
FIG. 3 is a rear plan view of the pump shroud;  
FIG. 4 is a left side view of the pump shroud;  
FIG. 5 is a right side view of the pump shroud;  
FIG. 6 is a top plan view of the pump shroud;  
FIG. 7 is a bottom plan view of the pump shroud; and,  
FIG. 8 is an isometric view of a second embodiment of the pump shroud of the present invention.

(58) **Field of Classification Search** ..... D15/7-9;  
D23/231, 232, 225; 417/60, 235, 265, 321,  
417/355, 358, 363, 359, 410.1, 415-416,  
417/405, 900, 43, 554; 60/408, 412; 184/26-37;  
415/140-147; 123/495, 509; 166/105.1,  
166/105.2, 311

Those portions of the drawings shown in broken lines are included for illustrative purposes only and form no part of the claimed design.

See application file for complete search history.

**1 Claim, 6 Drawing Sheets**



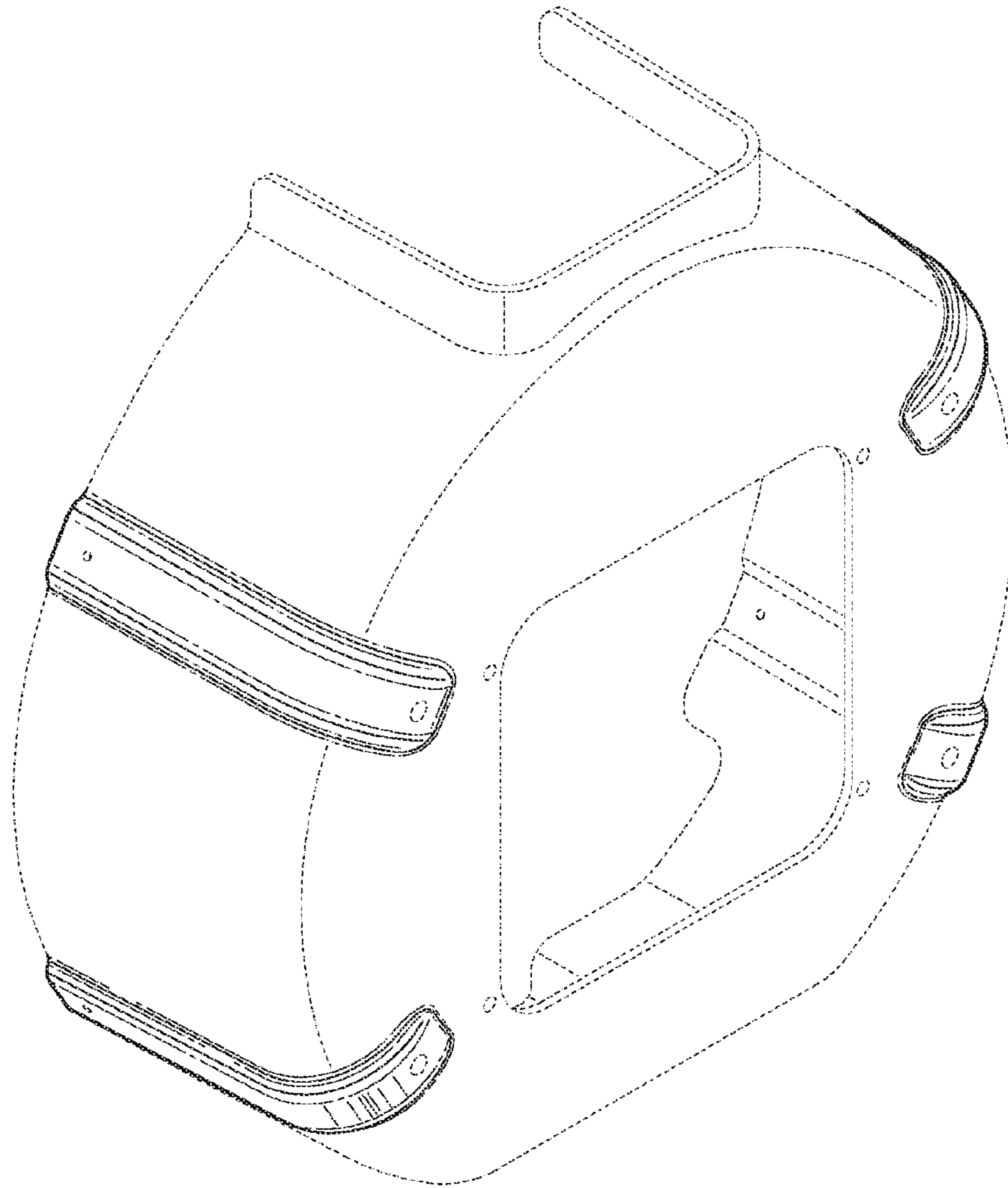


Fig. 1

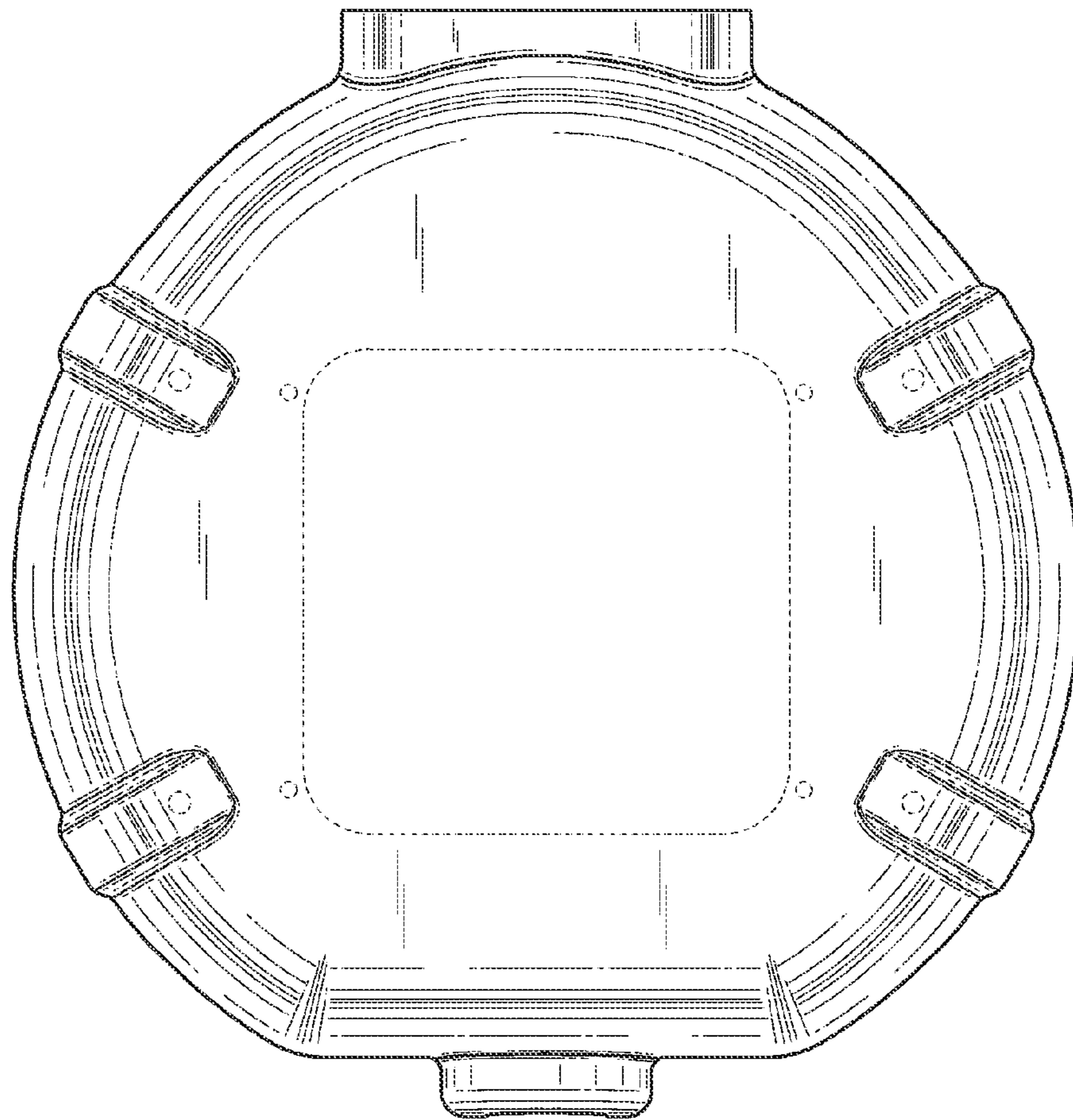


Fig. 2

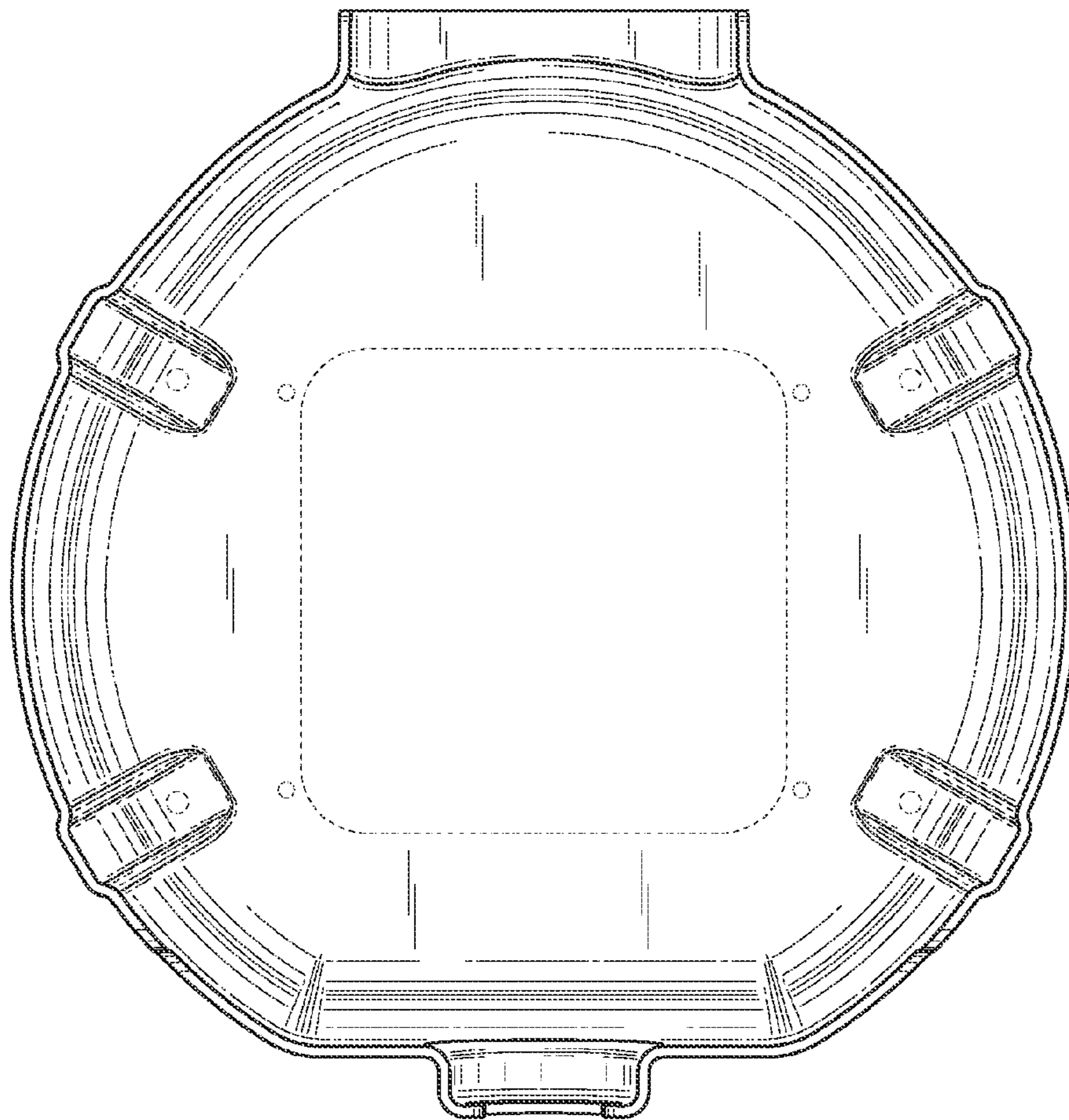


Fig. 3



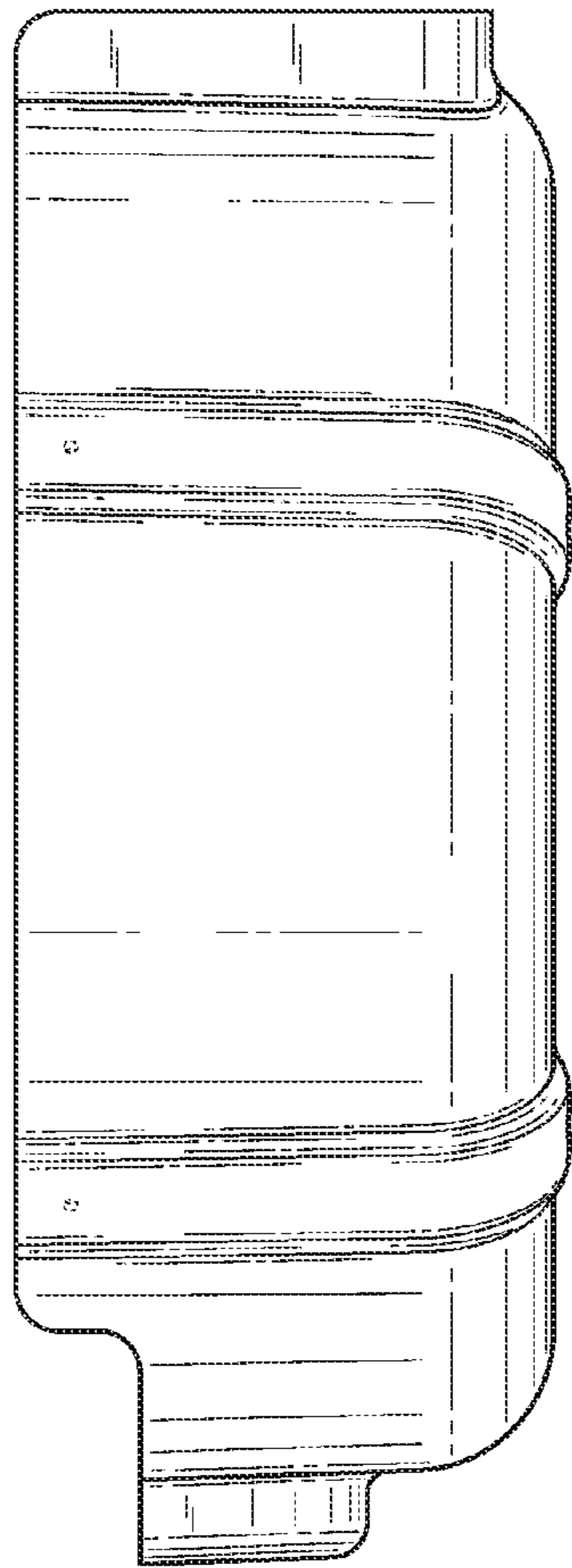


Fig. 4

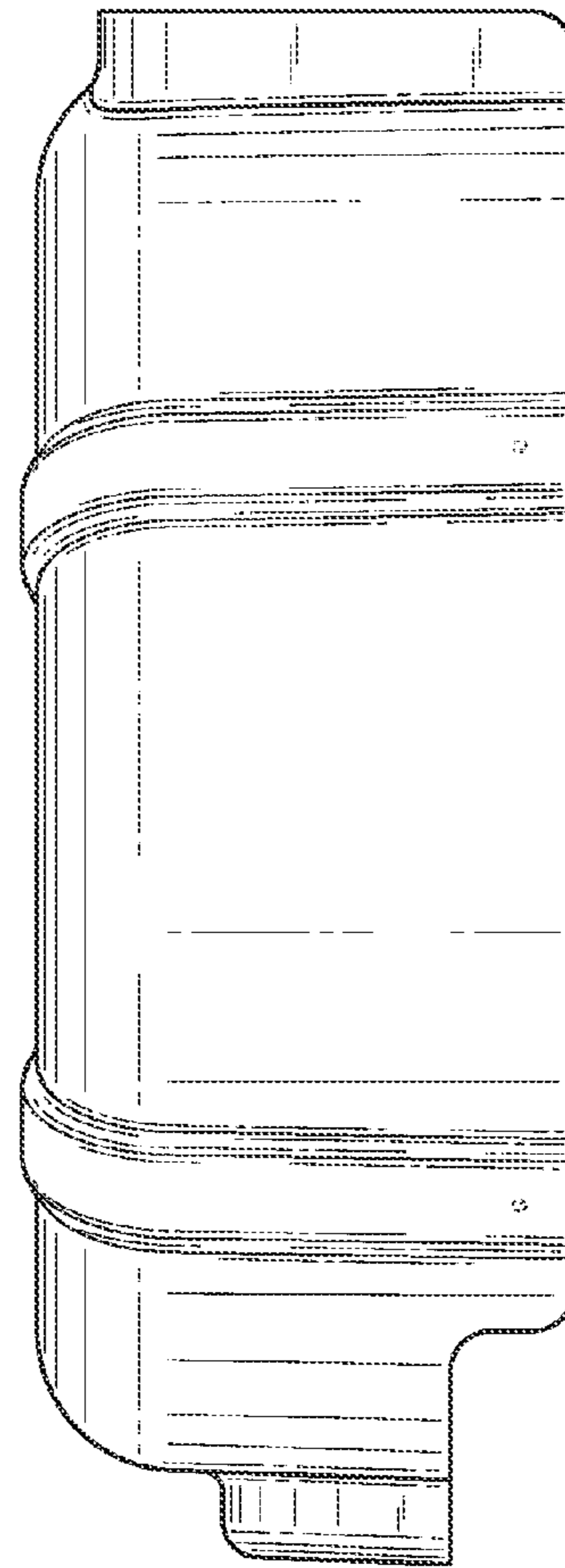


Fig. 5

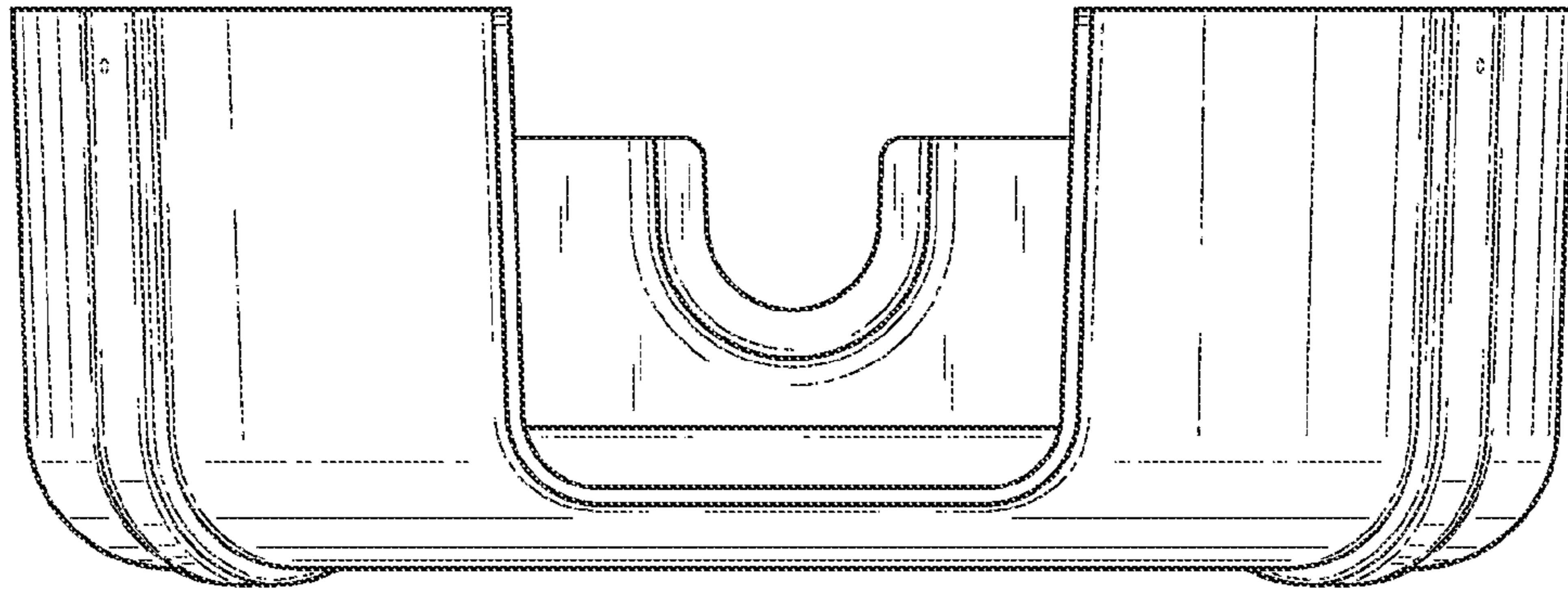


Fig. 6

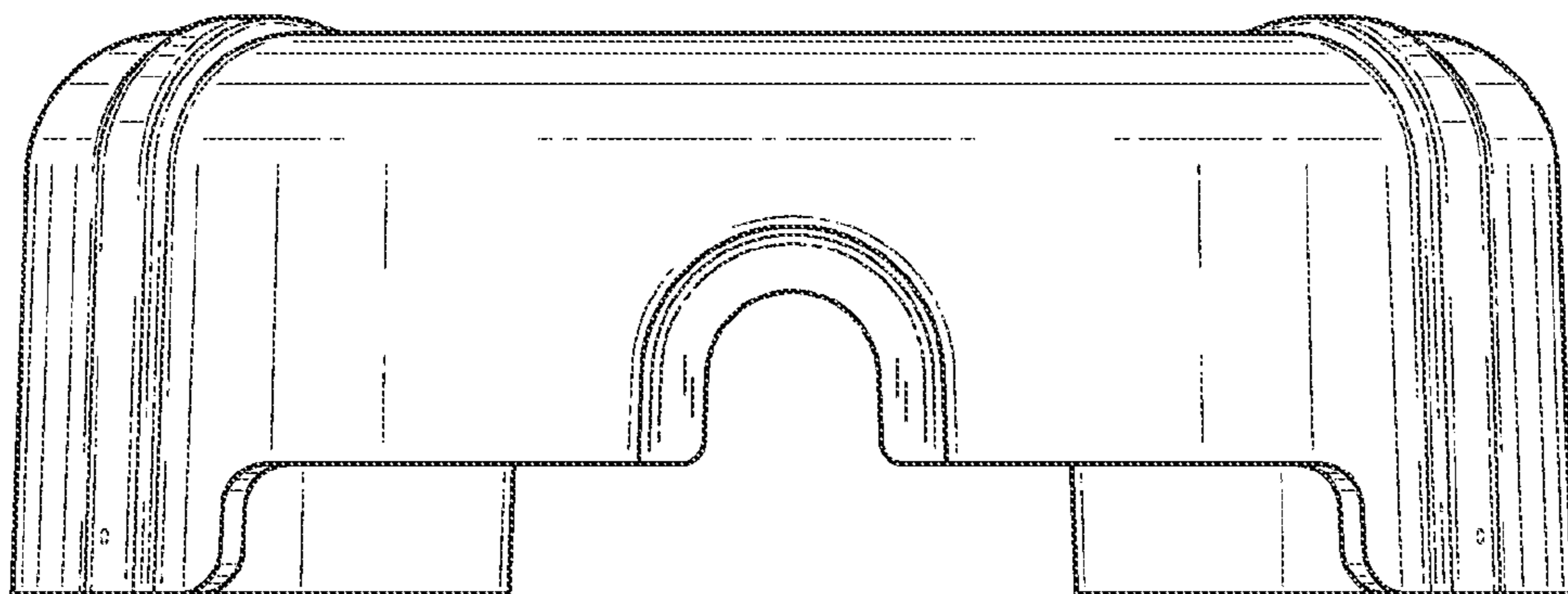


Fig. 7

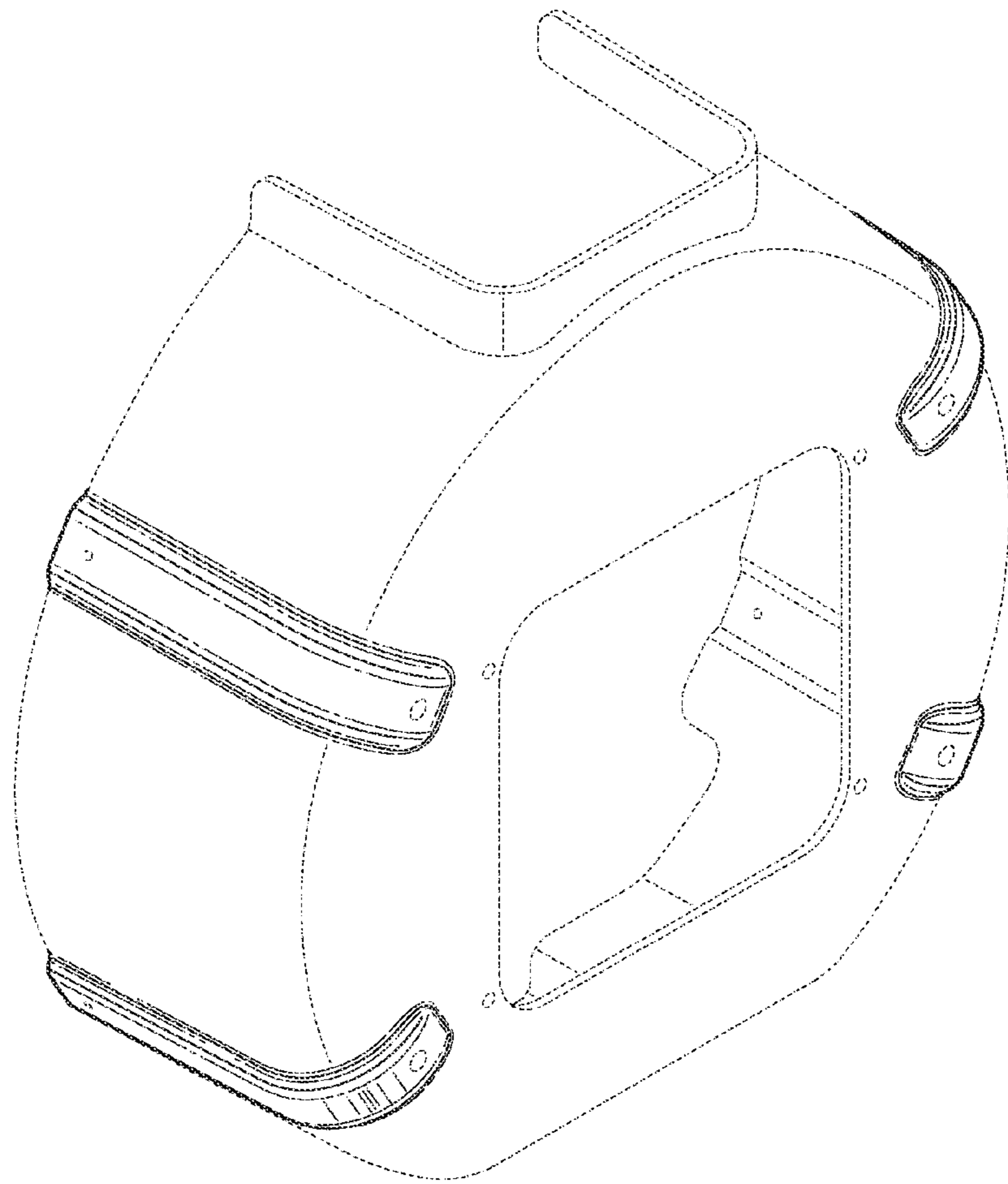


Fig. 8

UNITED STATES PATENT AND TRADEMARK OFFICE  
**CERTIFICATE OF CORRECTION**

PATENT NO. : D682,886 S  
APPLICATION NO. : 29/421617  
DATED : May 21, 2013  
INVENTOR(S) : Mark Francis Haider et al.

Page 1 of 1

It is certified that error appears in the above-identified patent and that said Letters Patent is hereby corrected as shown below:

On the title page, Item Description, delete “FIG. 1 is an isometric view of the pump shroud of the present invention mounted to a pump assembly” and insert in place thereof -- FIG. 1 is an isometric view of a pump shroud showing our new design. --

On the title page, Item Description, delete “FIG. 2 is a front plan view of the pump shroud;”

On the title page, Item Description, delete “FIG. 3 is a rear plan view of the pump shroud;”

On the title page, Item Description, delete “FIG. 4 is a left side view of the pump shroud;”

On the title page, Item Description, delete “FIG. 5 is a right side view of the pump shroud;”

On the title page, Item Description, delete “FIG. 6 is a top plan view of the pump shroud;”

On the title page, Item Description, delete “FIG. 7 is a bottom plan view of the pump shroud;  
and”

On the title page, Item Description, delete “FIG. 8 is an isometric view of a second embodiment of the pump shroud of the present invention.”

Signed and Sealed this  
Twenty-fourth Day of June, 2014



Michelle K. Lee  
*Deputy Director of the United States Patent and Trademark Office*